

REPAIR PARTS MANUAL
MODEL NO. REGT20H122A
Lawn Tractor

Rally
00137

HOW TO USE THIS MANUAL

This manual is designed to provide the customer with a means to identify the parts on his/her tractor when ordering repair parts. The illustrations may or may not represent the actual assemblies; therefore, it is not recommended to use this manual as a guide to assemble or disassemble the tractor. Some hardware and parts are drawn larger in order to more readily identify them.

Each tractor has its own model number.

The model number for your tractor can be found on the fender under the seat.

When ordering parts, always give the following information:

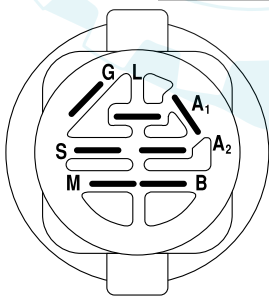
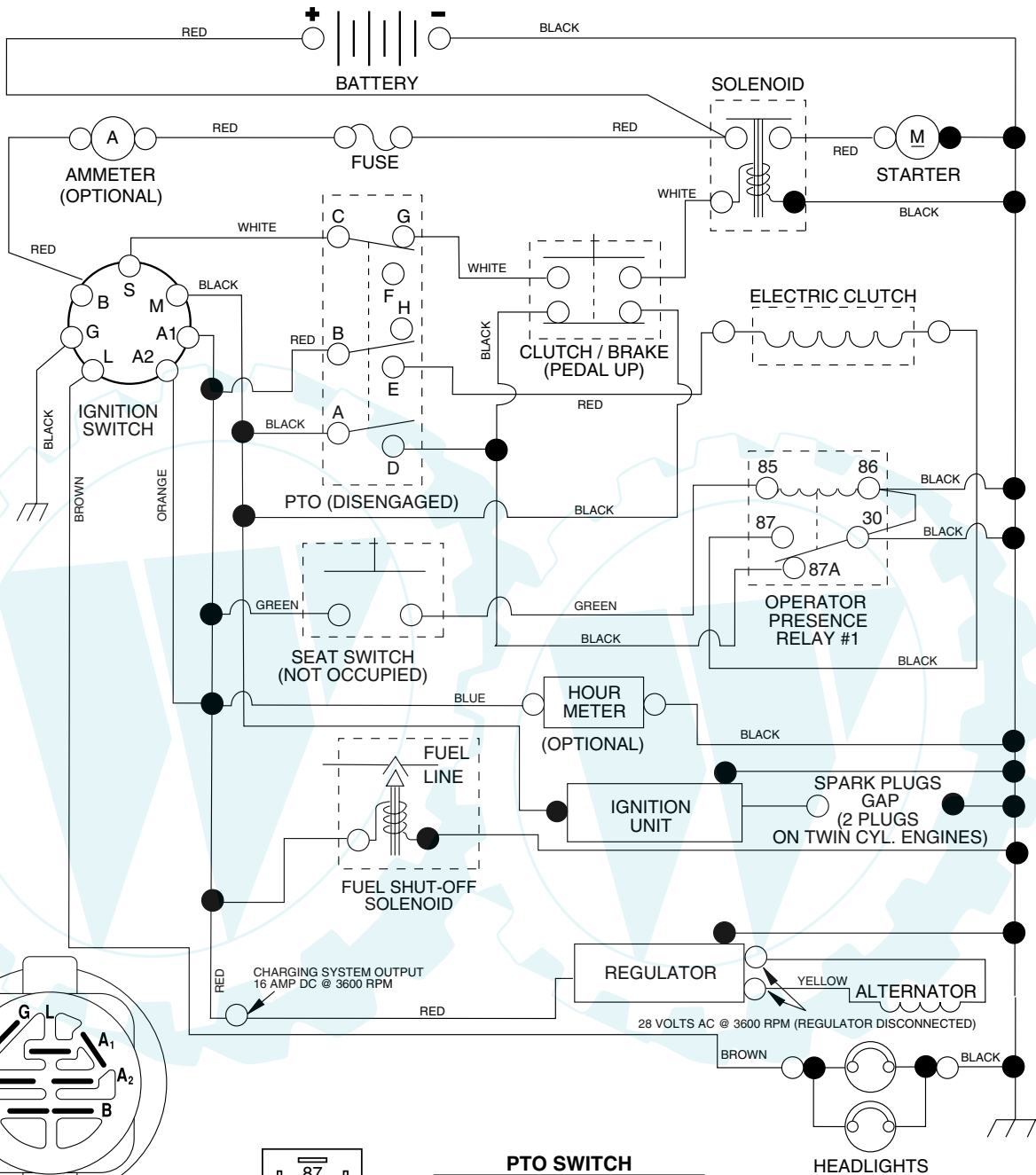
- Product - "Lawn Tractor"
- Model Number - REGT20H122A
- Part Number
- Part Description

TABLE OF CONTENTS

SCHEMATIC	3
ELECTRICAL.....	4-5
CHASSIS AND ENCLOSURES.....	6-7
DRIVE.....	8-9
STEERING WHEEL	10-11
ENGINE.....	12-13
MOWER LIFT	14-15
SEAT	16
DECALS.....	17
MOWER DECK	18-19

TRACTOR - MODEL NO. REG120H12ZA, PRODUCT NO. 964 79 77-00

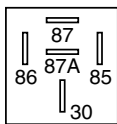
SCHEMATIC



IGNITION SWITCH

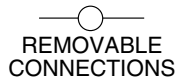
POSITION	CIRCUIT	"MAKE"
OFF	M + G + A1	NONE
ON + LIGHTS	B + A1	L + A2
ON	B + A1	NONE
START	B + S + A1	NONE

WIRING INSULATED CLIPS
NOTE: IF WIRING INSULATED CLIPS WERE REMOVED FOR SERVICING OF UNIT, THEY SHOULD BE REPLACED TO PROPERLY SECURE YOUR WIRING.



RELAY

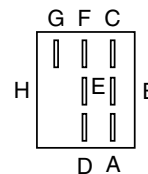
PTO SWITCH	
POSITION	CIRCUIT
OFF	C + G, B + H
ON	C + F, B + E, A + D



REMOVABLE CONNECTIONS



NON-REMOVABLE CONNECTIONS

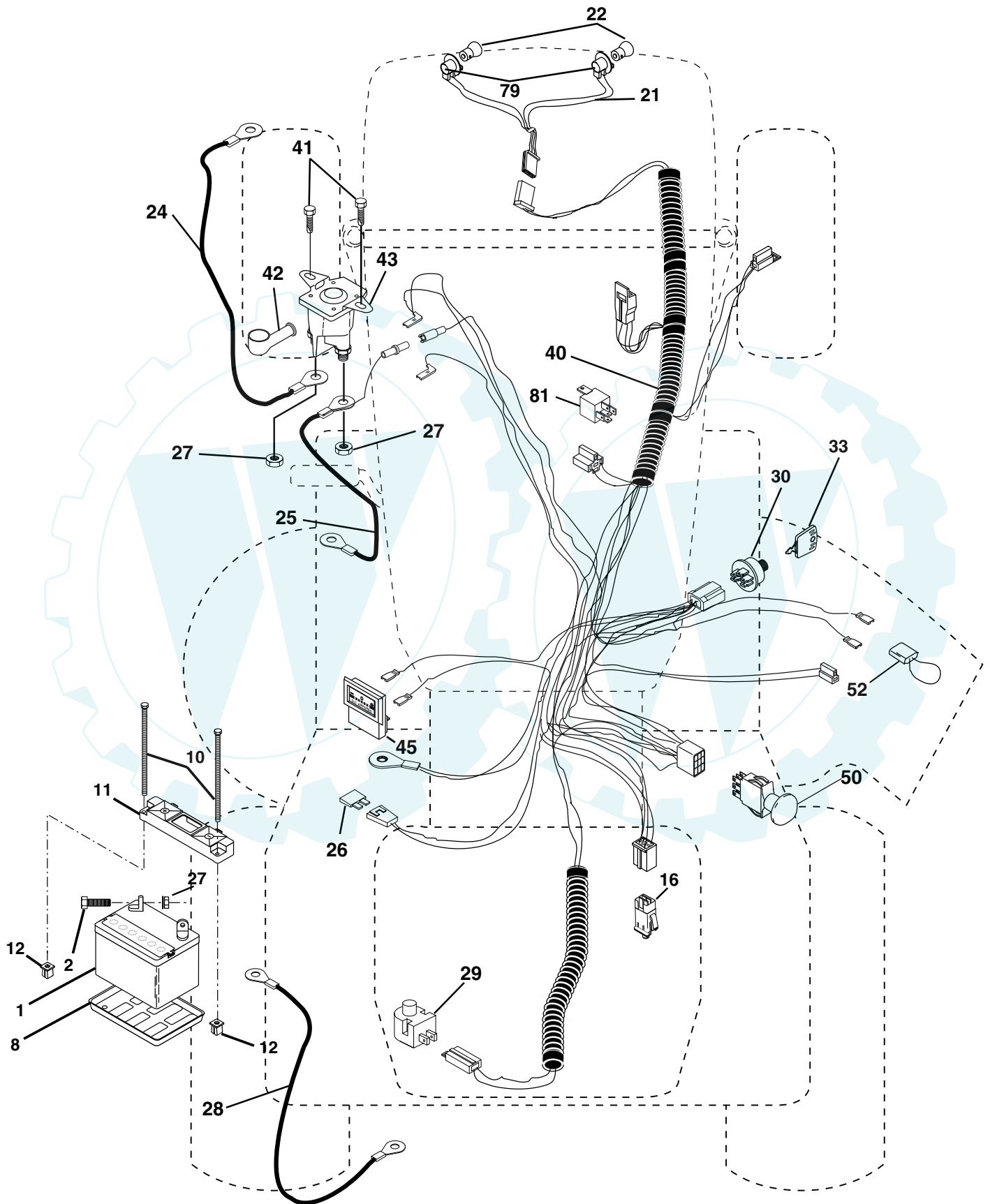


REPAIR PARTS

www.ersatzteil-service.de

TRACTOR - MODEL NO. REGT20H122A, PRODUCT NO. 964 79 77-00

ELECTRICAL



REPAIR PARTS

www.ersatzteil-service.de

TRACTOR - MODEL NO. REGT20H122A, PRODUCT NO. 964 79 77-00
ELECTRICAL

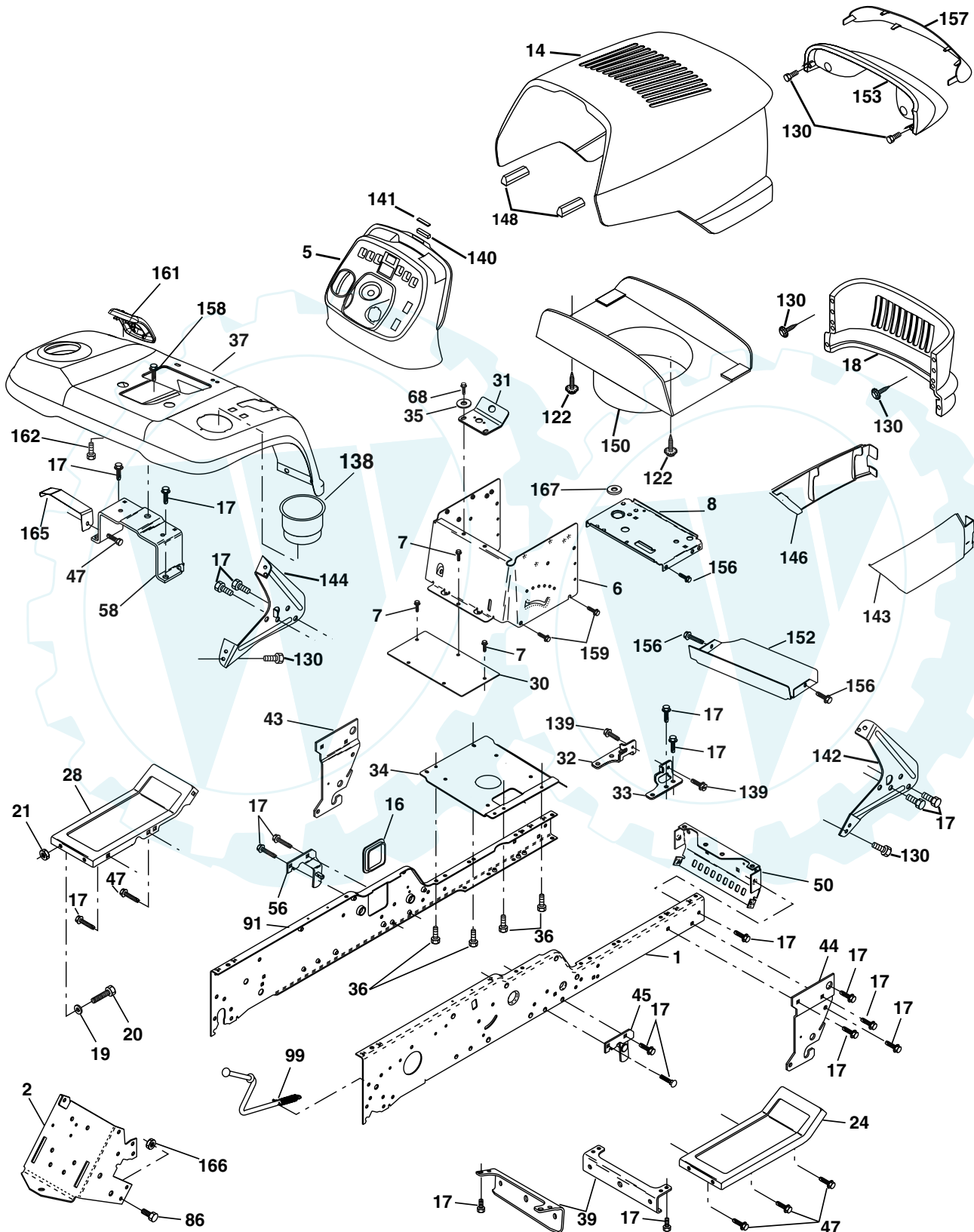
KEY NO.	PART NO.	DESCRIPTION
1	532 14 49-27	Battery
2	874 76 04-12	Bolt Hex Head 1/4-20 x 3/4
8	532 12 48-86	Tray, Battery
10	532 14 52-11	Bolt, Battery Front 1/4-20 x 7.5 Zinc
11	532 15 01-09	Holddown Battery Front Mount
12	532 14 57-69	Nut, Push Nylon 1.4" Battery Front
16	532 17 61-38	Switch Interlock
21	532 17 56-88	Harness Socket Light w/4152J
22	532 00 41-52	Bulb Light
24	532 18 54-64	Cable, Starter 6 Ga 22" Red
25	532 14 61-49	Cable, Battery
26	532 10 88-24	Fuse
27	873 51 04-00	Nut Keps Hex 1/4-20
28	532 17 06-97	Cable, Ground
29	532 16 07-84	Switch, Plunger Normal Op Olive
30	532 17 55-66	Switch, Ign
33	532 14 04-01	Key
40	532 17 02-38	Harness Ign.
41	817 72 04-08	Screw Thd cut 1/4-20 x 1/2
42	532 15 43-36	Cover, Terminal Red
43	532 17 88-61	Solenoid w/Brass Plunger
45	532 12 28-22	Ammeter
50	532 17 46-51	Switch, PTO
52	532 14 19-40	Protection Wire Loop
79	532 17 52-42	Bulbholder Asm
81	532 10 97-48	Relay Asm.

NOTE: All component dimensions given in U.S. inches
1 inch = 25.4 mm

REPAIR PARTS

www.ersatzteil-service.de

TRACTOR - MODEL NO. REGT20H122A, PRODUCT NO. 964 79 77-00
CHASSIS AND ENCLOSURES



chassis-stealth_37-vgt.

REPAIR PARTS

www.ersatzteil-service.de

TRACTOR - MODEL NO. REGT20H122A, PRODUCT NO. 964 79 77-00 CHASSIS AND ENCLOSURES

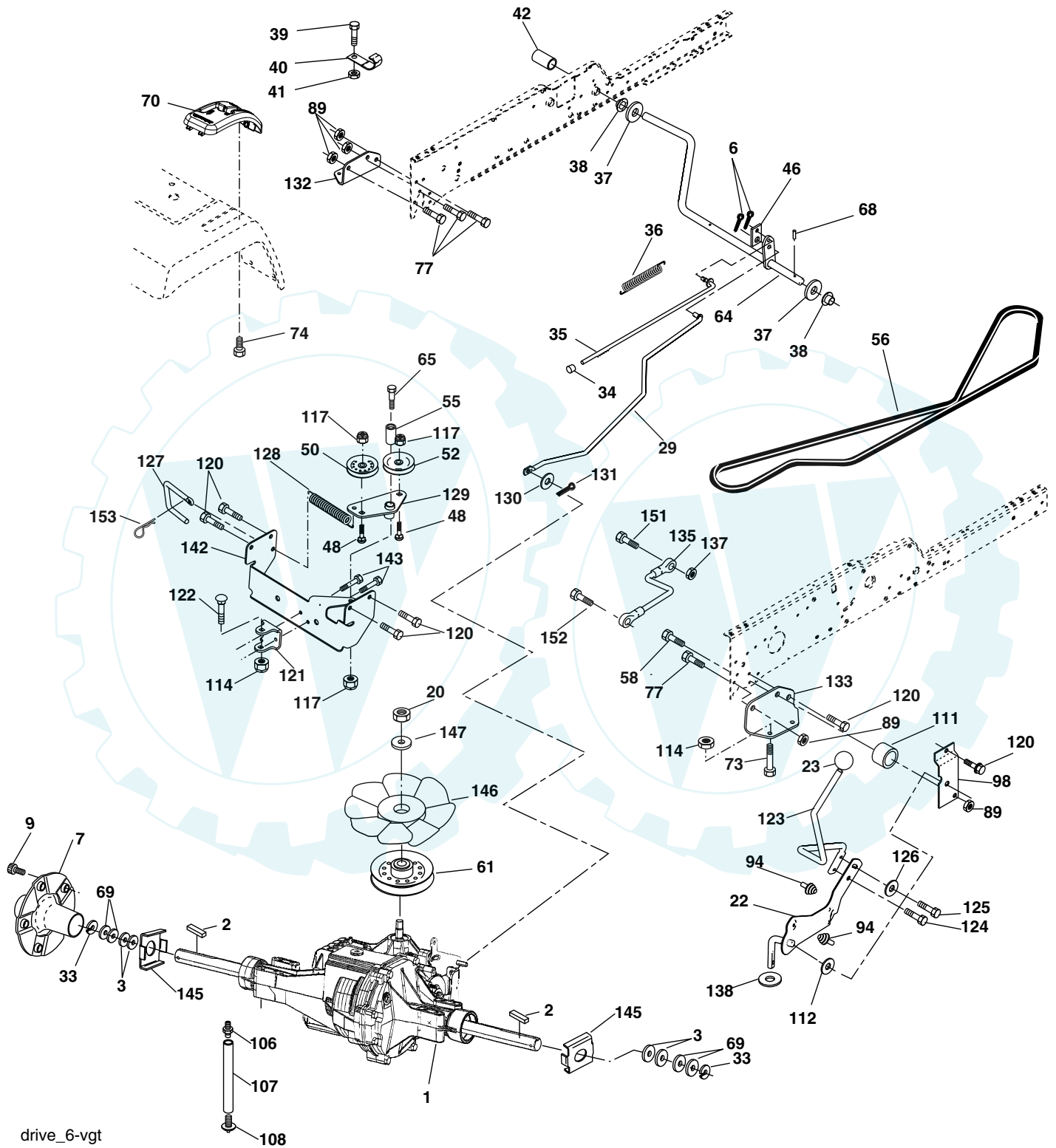
KEY NO.	PART NO.	DESCRIPTION	KEY NO.	PART NO.	DESCRIPTION
1	532 18 03-75	Rail, Frame RH	58	532 18 35-69	Bracket Asm., Fender
2	532 17 52-82	Drawbar, Gt	68	817 49 05-08	Screw, 5/16-18 x 1/2
5	532 17 71-44	Dash, Plastic	86	874 78 07-20	Bolt, Fin Hex 7/16-14 Unc x 1-1/4
6	532 15 78-82	Dash, 1PCS, Lower	91	532 18 03-74	Rail, Frame Lh
7	817 72 04-08	Screw, Thd Cut 1/4-20 x 1/2	99	532 17 71-43	Rod Asm. Bypass
8	532 18 46-68	Support, Battery	122	532 16 14-64	Screw Hex WSHD 8-18 x 7/8
14	532 18 71-13	Hood Asm., Pnt	130	532 17 18-75	Screw Hw Hd Hi-Lo #13-16 x 3/4
16	532 12 17-94	Cover, Access	138	532 18 28-79	Cupholder
17	817 06 06-12	Screw, 3/8-16 x 3/4	139	532 17 18-73	Bolt Shoulder 5/16-18
18	532 18 71-14	Grille	140	532 16 38-06	Magnet Stealth
19	819 13 13-12	Washer 13/32 x 13/16 x 12 Ga.	141	532 16 38-05	Striker Plate
20	874 78 06-16	Bolt, Fin Hex 3/8-16 x 1	142	532 16 18-97	Bracket Dash Stealth RH
21	873 80 06-00	Nut, Crownlock 3/8-16	143	532 18 71-11	Skirt Grille RH
24	532 18 11-94	Footrest, RH	144	532 16 19-00	Bracket Dash Stealth LH
28	532 18 11-93	Footrest, LH	146	532 18 71-12	Skirt Grille LH
30	532 14 50-52	Saddle	148	532 16 46-55	Extrusion Bumper
31	532 16 14-19	Bracket Supt 1-pc Vgt Steering	150	532 16 12-37	Duct Heat Hood
32	532 16 13-27	Bracket, Frame Pivot Lh	152	532 17 79-56	Shield, Browning
33	532 16 13-26	Bracket, Frame Pivot Rh	153	532 17 97-61	Lens Asm. Stealth
34	532 17 70-18	Plate Asm Engine Chassis	156	817 00 05-12	Screw 5/16-18 x 3/4
35	819 11 11-16	Washer 11/32 x 11/16 x 16 Ga.	157	532 16 18-40	Lens Bar
36	817 06 05-12	Screw 5/16-18 x 3/4	158	817 67 06-08	Screw Thdrol 3/8-16 x 1/2
37	532 18 71-10	Fender, Pnt.	159	817 00 06-12	Screw 3/8-16 x 3/4
39	532 17 52-78	Bracket, Axle Front	161	532 18 28-82	Console Fuel Window
43	532 13 69-39	Bracket, Spnsn Front Lh	162	532 14 24-32	Screw Hex 1/4-1/2 Unc
44	532 13 69-40	Bracket, Spnsn Front Rh	165	532 18 35-54	Bracket Support Tank
45	532 17 60-18	Bracket Asm., Susp Chassis Rh	166	873 68 07-00	Nut, Crown Lock 7/16-14 Unc
47	817 49 06-08	Screw Thdrol 3/8-16 x 1/2	167	532 18 46-72	Bushing Snap Nylon
50	532 17 54-76	Bracket, Chassis Front			
56	532 17 60-16	Bracket Asm., Susp Chassis Lh			

NOTE: All component dimensions given in U.S. inches
1 inch = 25.4 mm

REPAIR PARTS

www.ersatzteil-service.de

TRACTOR - MODEL NO. REGT20H122A, PRODUCT NO. 964 79 77-00
GROUND DRIVE



drive_6-vgt

REPAIR PARTS

www.ersatzteil-service.de

TRACTOR - MODEL NO. REGT20H122A, PRODUCT NO. 964 79 77-00 GROUND DRIVE

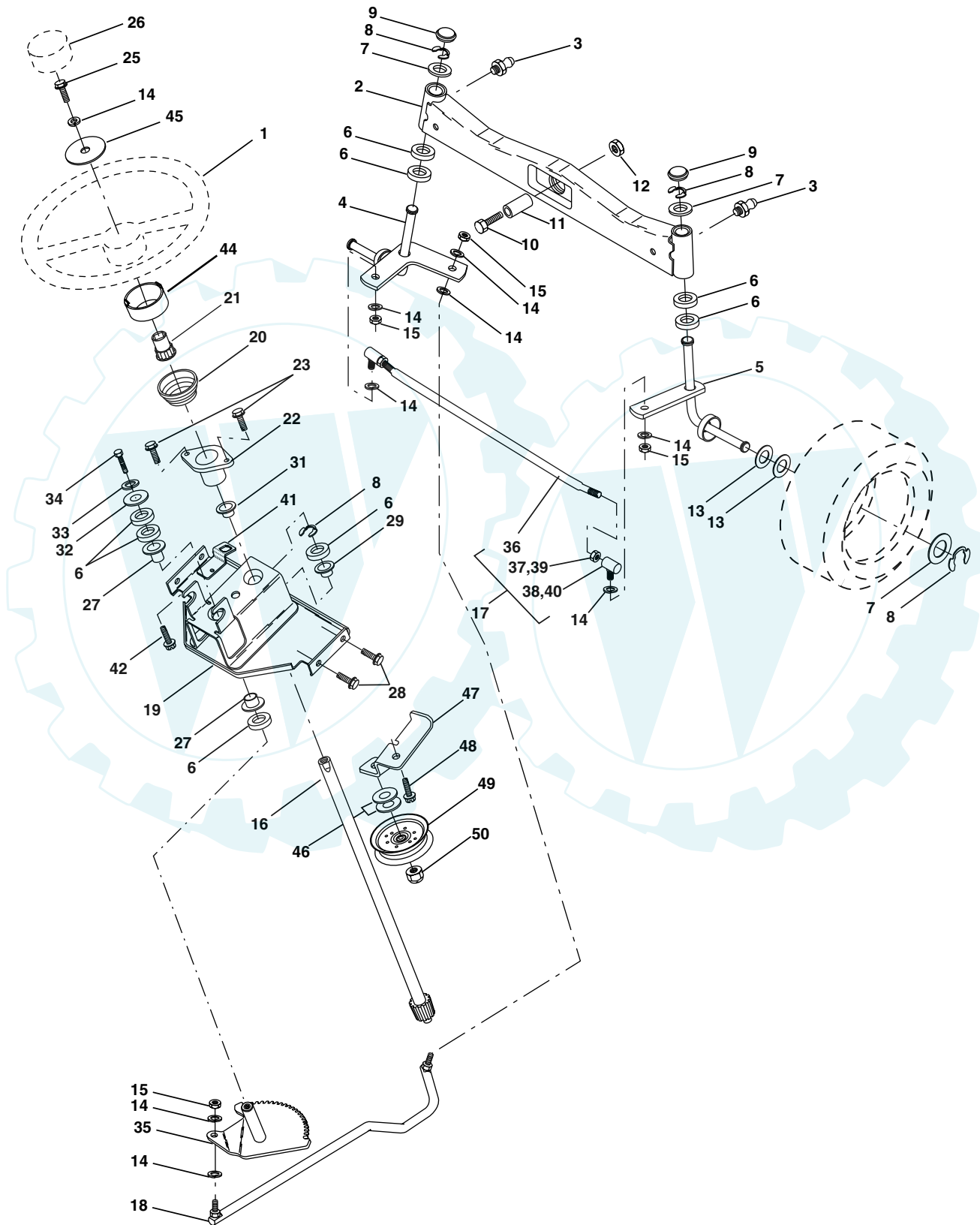
KEY NO.	PART NO.	DESCRIPTION	KEY NO.	PART NO.	DESCRIPTION
1	-----	Transaxle Hydro Gear 331-3000 (Order Parts From Transaxle Manufacturer)	89	873 68 07-00	Nut Crownlock 7/16-14 Unc
2	532 00 70-70	Key Sq. 1/4 x 2.5	94	532 13 38-35	Fastener Christmas Tree
3	532 00 75-63	Washer	98	532 14 10-04	Bracket Shift
6	876 02 04-12	Pin, Cotter	106	532 14 29-18	O-Ring Asm Hydro Gear
7	532 14 05-07	Wheel, Hub Assembly	107	532 15 47-39	Line Fuel Hydro 15" VGT
9	532 14 00-80	Bolt, Hub	108	532 14 29-17	Cap Asm Vent Hydro Gear
20	873 94 08-00	Nut	111	532 15 62-40	Spacer Shift Lever VGTH
22	532 18 02-35	Lever Asm Shift	112	532 17 85-58	Washer Nylon High Temp
23	532 14 08-45	Knob	114	873 80 05-00	Nut Lock Hex W/Ins 5/16-18 Unc
29	532 17 66-00	Brake, Rod	117	873 90 06-00	Nut, Lock Flg. 3/8-16
33	812 00 00-53	Ring E	120	817 06 06-12	Screw 3/8-16 x .75
34	532 07 16-73	Cap, Parking Brake	121	532 17 56-11	Bracket Strap Torque
35	532 13 76-48	Rod, Parking Brake	122	872 01 05-20	Bolt RDHDSQ 5/16-18 Unc x 2-1/2
36	532 14 94-12	Spring, Drive Ground	123	532 18 32-54	Rod Shift
37	532 12 17-49	Washer 25/32 x 1-1/4 x 16 Ga.	124	532 16 54-92	Bolt Shoulder 5/16-18 x .561
38	532 15 00-35	Nyliner	125	532 16 68-80	Screw 5/16-18 x 5/8
39	874 32 10-16	Screw, Fin. #10-24 x 1	126	532 16 60-02	Washer SRRTD 5/16 ID x 1.0 x .125
40	532 17 85-75	Actuator, Interlock VGT	127	532 17 73-62	Link Control Clutch
41	873 93 10-00	Nut Centerlock 10-24 Unc	128	532 17 66-24	Spring Drive GRND
42	532 12 35-33	Cover, Pedal	129	532 17 94-73	Bracket Asm Idler Tensioning
46	532 14 51-70	Retainer, Spring	130	819 13 10-16	Washer 13/32 x 5/8 x 16 Ga.
48	872 11 06-14	Bolt Rdhd 3/8-16 x 1.3/4 Gr. 5	131	876 02 03-12	Pin Cotter 3/32 x 3/4
50	532 13 14-94	Pulley, Idler, Flat	132	532 17 54-67	Bracket Mtg Hydro 3500 LH VGT
52	532 12 35-33	Pulley, Idler, Grooved	133	532 17 54-68	Bracket Mtg Hydro 3500 RH VGT
55	532 10 57-06	Bearing, Idler	135	532 17 73-64	Link Asm Control Hydro 3500
56	532 16 15-97	V-Belt	137	532 00 16-85	Nut Lock 5/16-18 NC Thd.
58	874 76 07-24	Bolt Fin Hex 7/16-14 x 1-1/2	138	532 00 13-70	Washer Thrust 5/8 x 1.10 x 1/32
61	532 14 39-95	Pulley, Transaxle	142	532 17 54-69	Strap Torque HG-3500
64	532 17 66-01	Shaft, Brake Pedal	143	817 06 05-12	Screw Thdrol 5/16-18 x 3/4
65	532 17 96-13	Bolt, Shoulder	145	532 16 31-68	Washer Axle Flange HG-3000
68	532 00 51-42	Pin, Roll	146	532 14 04-62	Fan 7" Hydro
69	532 12 38-00	Washer	147	532 14 13-22	Washer
70	532 18 28-86	Console Automatic YT/GT	151	874 76 05-14	Bolt Hex 5/16-18 x 7/8
73	874 49 05-48	Bolt Hex Flghd 5/16-18 x 3 Gr5	152	532 17 87-05	Bolt Hex 5/16 x 1 W/Patch
74	532 14 24-32	Screw Hex Wsh. Hi-Lo 1/4-1/2	153	532 12 47-88	Spring, Retainer
77	874 78 07-16	Bolt Fin Hex 7/16-14 x 1			

NOTE: All component dimensions given in U. S.
inches 1 inch = 25.4 mm

REPAIR PARTS

www.ersatzteil-service.de

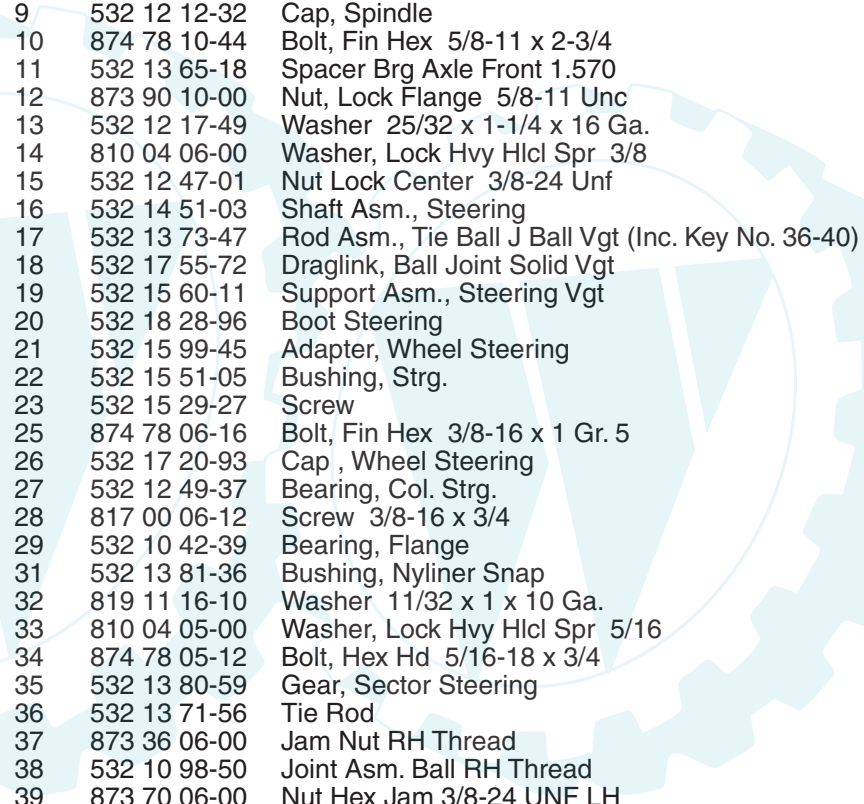
TRACTOR - MODEL NO. REGT20H122A, PRODUCT NO. 964 79 77-00 STEERING ASSEMBLY



REPAIR PARTS

www.ersatzteil-service.de

TRACTOR - MODEL NO. REGT20H122A, PRODUCT NO. 964 79 77-00 STEERING ASSEMBLY



KEY NO.	PART NO.	DESCRIPTION
1	532 17 20-93	Wheel, Steering
2	532 17 85-57	Axle Asm., Front
3	532 12 48-36	Fitting, Grease
4	532 16 18-49	Spindle Asm, LH
5	532 16 18-48	Spindle Asm., RH
6	532 12 49-31	Bearing, Race Thrust Harden
7	532 12 17-48	Washer 25/32 x 1-5/8 x 16 Ga.
8	812 00 00-29	Ring, Klip #T5304-75
9	532 12 12-32	Cap, Spindle
10	874 78 10-44	Bolt, Fin Hex 5/8-11 x 2-3/4
11	532 13 65-18	Spacer Brg Axle Front 1.570
12	873 90 10-00	Nut, Lock Flange 5/8-11 Unc
13	532 12 17-49	Washer 25/32 x 1-1/4 x 16 Ga.
14	810 04 06-00	Washer, Lock Hvy Hlcl Spr 3/8
15	532 12 47-01	Nut Lock Center 3/8-24 Unf
16	532 14 51-03	Shaft Asm., Steering
17	532 13 73-47	Rod Asm., Tie Ball J Ball Vgt (Inc. Key No. 36-40)
18	532 17 55-72	Draglink, Ball Joint Solid Vgt
19	532 15 60-11	Support Asm., Steering Vgt
20	532 18 28-96	Boot Steering
21	532 15 99-45	Adapter, Wheel Steering
22	532 15 51-05	Bushing, Strg.
23	532 15 29-27	Screw
25	874 78 06-16	Bolt, Fin Hex 3/8-16 x 1 Gr. 5
26	532 17 20-93	Cap , Wheel Steering
27	532 12 49-37	Bearing, Col. Strg.
28	817 00 06-12	Screw 3/8-16 x 3/4
29	532 10 42-39	Bearing, Flange
31	532 13 81-36	Bushing, Nyliner Snap
32	819 11 16-10	Washer 11/32 x 1 x 10 Ga.
33	810 04 05-00	Washer, Lock Hvy Hlcl Spr 5/16
34	874 78 05-12	Bolt, Hex Hd 5/16-18 x 3/4
35	532 13 80-59	Gear, Sector Steering
36	532 13 71-56	Tie Rod
37	873 36 06-00	Jam Nut RH Thread
38	532 10 98-50	Joint Asm. Ball RH Thread
39	873 70 06-00	Nut Hex Jam 3/8-24 UNF LH
40	532 10 98-51	Joint Asm Ball LH
41	532 15 52-46	Bracket Switch Inerlock VGT97
42	817 49 05-08	Screw 5/16-18 x 1/2
44	532 18 14-49	Extension Steering Premium
45	819 13 24-11	Washer 13/32 x 1-1/20 x 11 Ga.
46	819 13 16-10	Washer Flat 13/32 x 1 x 10 Ga.
47	532 17 94-71	Bracket Asm. Idler
48	817 06 06-12	Screw 3/8-16 x .75
49	532 17 58-20	Pulley Idler Flat
50	873 90 06-00	Nut Lock Flg 3/8-16 Unc

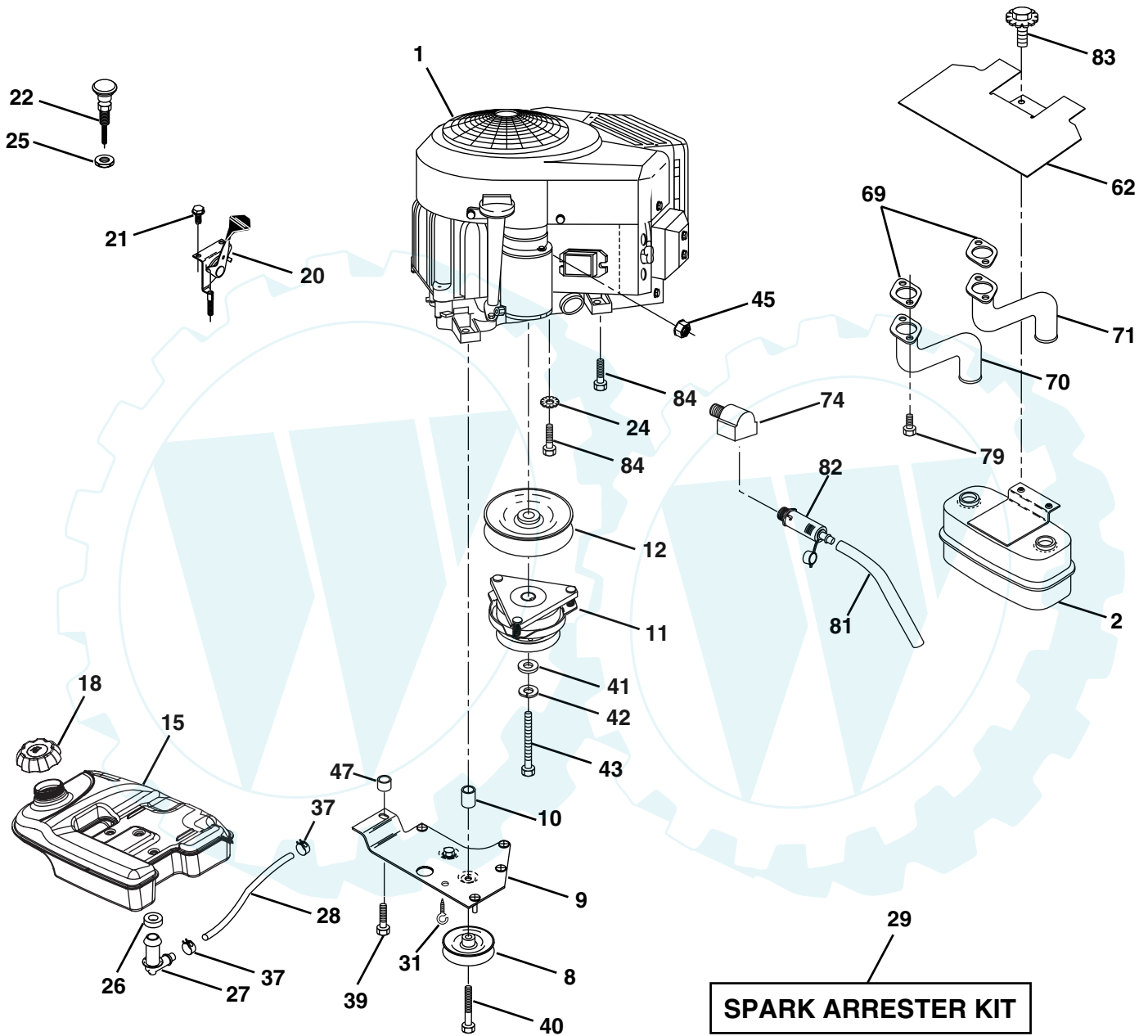
NOTE: All component dimensions given in U.S. inches
1 inch = 25.4 mm

REPAIR PARTS

www.ersatzteil-service.de

TRACTOR - MODEL NO. REGT20H122A, PRODUCT NO. 964 79 77-00

ENGINE



engine-intek_10-vgt

REPAIR PARTS

www.ersatzteil-service.de

TRACTOR - MODEL NO. REGT20H122A, PRODUCT NO. 964 79 77-00
ENGINE

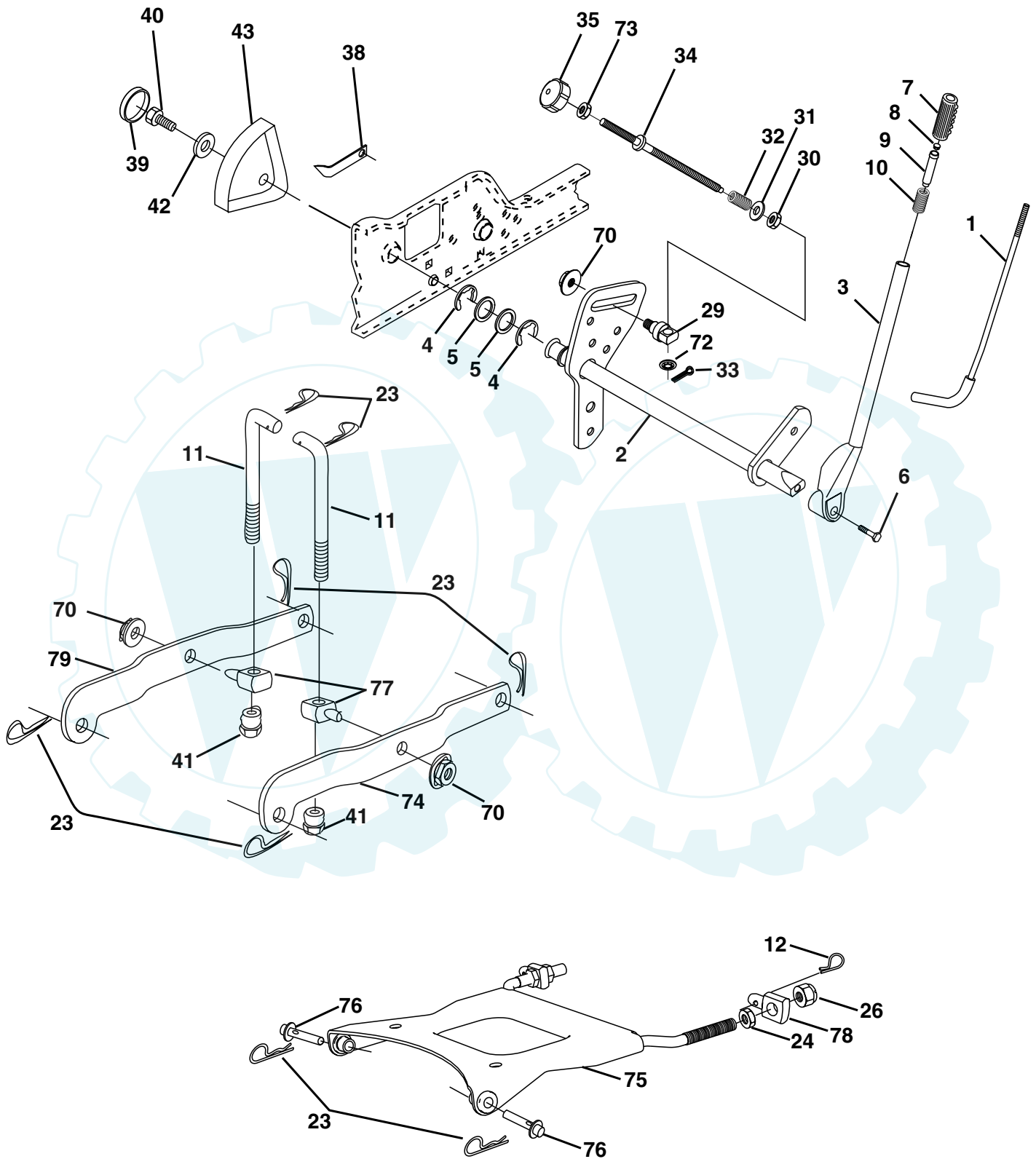
KEY NO.	PART NO.	DESCRIPTION
1	-----	Engine Briggs & Stratton, Model Number 407777 (Order parts from engine manufacturer)
2	532 14 97-23	Muffler Side
8	532 12 13-61	Pulley V-Idler
9	532 17 77-48	Keeper Asm. Belt Engine VGT
10	532 17 52-87	Bushing
11	532 17 93-35	Clutch Electric
12	532 14 39-96	Pulley Engine VGT Elect Clutch
15	532 17 91-15	Tank Fuel 5.0
18	532 18 29-02	Cap Fuel
20	532 17 83-85	Control Throttle
21	532 17 18-75	Screw HWHD Hi-Lo #13-16 x 3/4
22	532 17 86-39	Control Choke
24	811 05 06-00	Washer Ext Tooth 3/8
25	873 92 06-00	Nut Keps 3/8-24 Unf
26	532 00 36-45	Bushing
27	532 13 92-77	Stem Tank Fuel
28	532 00 78-34	Fuel Line
29	532 13 71-80	Spark Arrester Kit
31	532 14 50-06	Clip, Push In
37	532 12 34-87	Clamp Hose
39	817 49 06-36	Screw TT 3/8-16 x 2-1/4 UNC
40	817 49 06-64	Screw TT 3/8-16 x 4 UNC
41	532 12 61-97	Washer 1-1/2 OD x 15/32 ID x .250
42	810 04 07-00	Washer Lock 7/16
43	532 17 99-53	Bolt Hex 7/16-20 x 3.75 Ga 5
45	873 51 04-00	Nut Keps Hex 1/4-20
47	532 17 52-88	Bushing
62	532 14 66-29	Shield Heat Muffler
69	532 16 53-91	Gasket
70	532 17 60-70	Tube Exhaust RH
71	532 17 60-69	Tube Exhaust LH
74	532 16 22-95	Elbow Street
79	532 18 39-06	Screw Socket Head 5/16-18 x 1
81	532 14 84-56	Tube Drain Oil Easy
82	532 18 16-54	Plug Oil Drain
83	532 17 18-77	Bolt 5/16-18unc x 1-3/4 W/Sems
84	817 06 06-24	Screw 3/8-16 x 1-1/2

NOTE: All component dimensions given in U.S. inches
1 inch = 25.4 mm

REPAIR PARTS

www.ersatzteil-service.de

TRACTOR - MODEL NO. REGT20H122A, PRODUCT NO. 964 79 77-00
LIFT ASSEMBLY



REPAIR PARTS

www.ersatzteil-service.de

TRACTOR - MODEL NO. REGT20H122A, PRODUCT NO. 964 79 77-00 LIFT ASSEMBLY

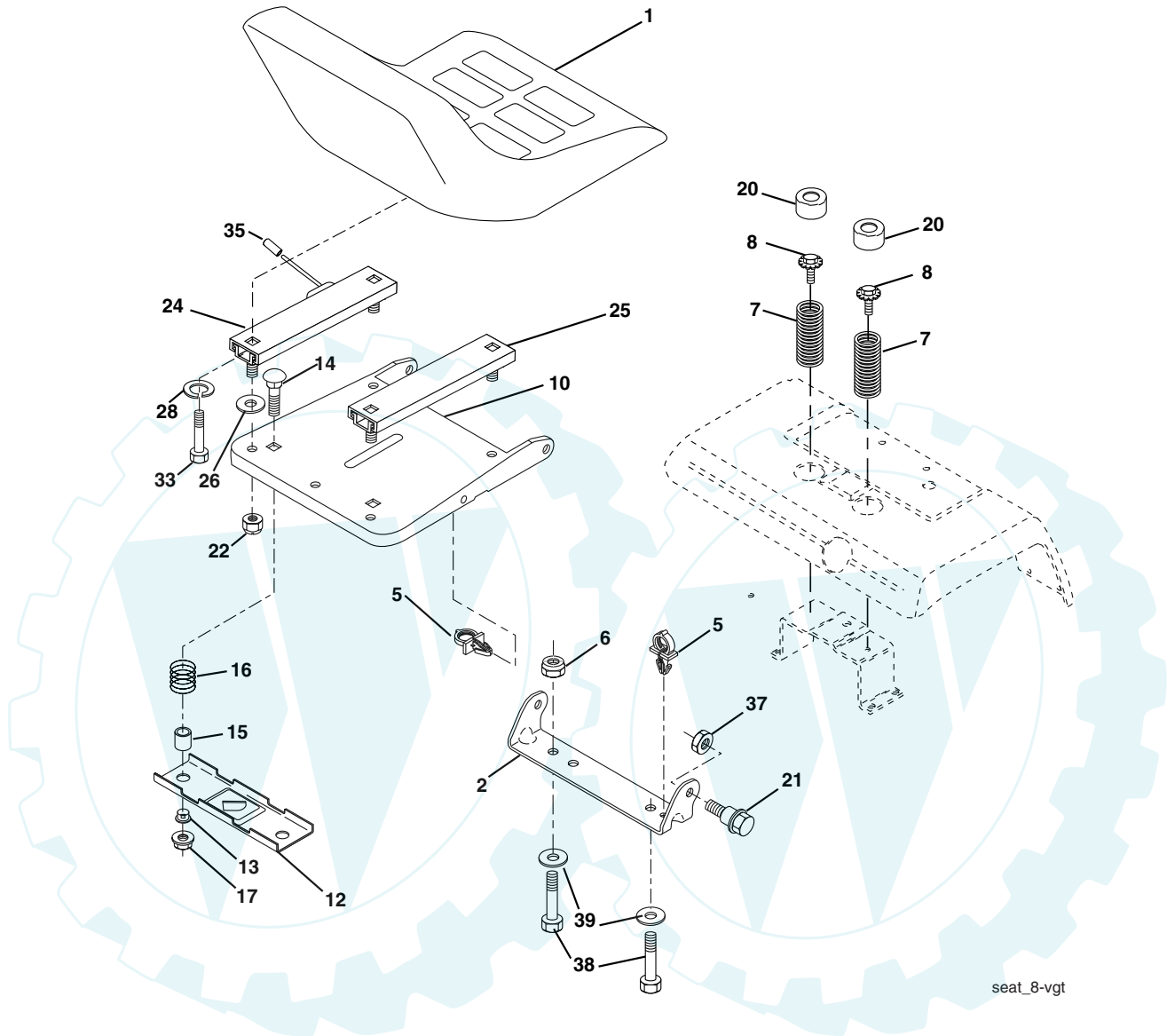
KEY NO.	PART NO.	DESCRIPTION
1	532 12 10-06	Rod Asm., Lever
2	532 18 00-45	Shaft Asm., Lift Vgt
3	532 15 91-89	Lever Asm., Lift Rh
4	812 00 00-22	E-Ring Truarc #5133-87
5	819 29 20-16	Washer 29/32 x 1-1/4 x 16 Ga.
6	871 11 06-24	Bolt, Fin Hex 3/8-16 x 1-1/2
7	532 10 94-13	Grip, Handle
8	532 12 45-26	Button Plunger
9	532 12 23-64	Plunger, Lever Lift
10	532 18 38-94	Spring
11	532 17 53-75	Link Lift
12	532 16 35-52	Retainer, Spring
23	532 12 46-70	Retainer, Spring
24	873 35 08-00	Nut, Jam Hex 1/2-13 Unc
26	873 68 08-00	Nut Crownlock 1/2-13 Unc
29	532 15 02-33	Trunnion Infin Height
30	532 11 08-07	Nut, Special
31	819 13 10-16	Washer 13/32 x 5/8 x 16 Ga.
32	532 13 71-50	Spring, Compression Inf Hgt
33	876 02 03-08	Pin, Cotter 3/32 x 1/2
34	532 13 71-67	Rod, Adj Lift
35	532 13 80-57	Knob, Inf 3/8-16 Unc
38	532 15 50-97	Pointer Height Indicator
39	532 12 39-35	Plug, Hole Blk. 1.485/1.515 Dia.
40	817 06 05-16	Screw 5/16-18 x 1
41	532 17 59-94	Nut, Lift Link
42	819 11 24-10	Washer 11/32 x 1-1/2 x 10 Ga.
43	532 12 39-34	Scale, Indicator Height
70	532 14 52-12	Nut Hex Flange Lock
72	532 11 04-52	Nut Push Phos & Oil
73	873 35 06-00	Nut, Hex Jam 3/8-16 Unc
74	532 17 58-02	Arm, Suspension Rear RH
75	532 17 58-05	Plate, Asm, Susp, Front
76	532 17 55-60	Pin Flange
77	532 17 62-05	Trunnion Susp. Arm
78	532 17 56-89	Trunnion, Front, Susp
79	532 17 53-78	Arm, Suspension Rear LH

NOTE: All component dimensions given in U.S. inches
1 inch = 25.4 mm

REPAIR PARTS

www.ersatzteil-service.de

TRACTOR - MODEL NO. REGT20H122A, PRODUCT NO. 964 79 77-00 SEAT ASSEMBLY



seat_8-vgt

KEY NO.	PART NO.	DESCRIPTION	KEY NO.	PART NO.	DESCRIPTION
1	532 12 68-26	Seat	21	532 17 18-52	Bolt, Shoulder 5/16-18
2	532 14 05-51	Bracket, Pivot Seat	22	873 60 05-00	Nut, Crownlock 5/16-18
5	532 14 50-06	Clip, Push In Hinged	24	532 17 79-46	Track Slide Seat LH
6	873 80 06-00	Nut, Crownlock 3/8-16	25	532 17 79-47	Track Slide Seat RH
7	532 12 41-81	Spring, Seat Cprsn	26	819 11 10-12	Washer 11/32 x 5/8 x 12 Ga.
8	532 17 18-77	Bolt 5/16-18 UNC X 3/4	28	819 11 14-16	Washer 11/32 x 7/8 x 16 Ga.
10	532 18 24-93	Pan, Seat	33	874 78 05-16	Bolt Fin Hex 5/16-18 Unc x 1.00
12	532 12 12-46	Bracket, Mounting Switch	35	532 17 84-26	Cap Vinyl 1 x .34 Red
13	532 12 12-48	Bushing, Snap	37	873 80 05-00	Nut Lock Hew w/Ins. 5/16-18
14	872 05 04-12	Bolt, Carriage 1/4-20 X 1-1/2	38	871 11 06-16	Bolt 3/8-16 x 1
15	532 12 12-49	Spacer, Split	39	819 13 16-10	Washer 13/32 x 1 x 10 Ga.
16	532 12 37-40	Spring, Cprsn			
17	532 12 39-76	Nut, Lock 1/4 Lge Flg Gr. 5			
20	532 12 42-38	Cap, Spring Seat			

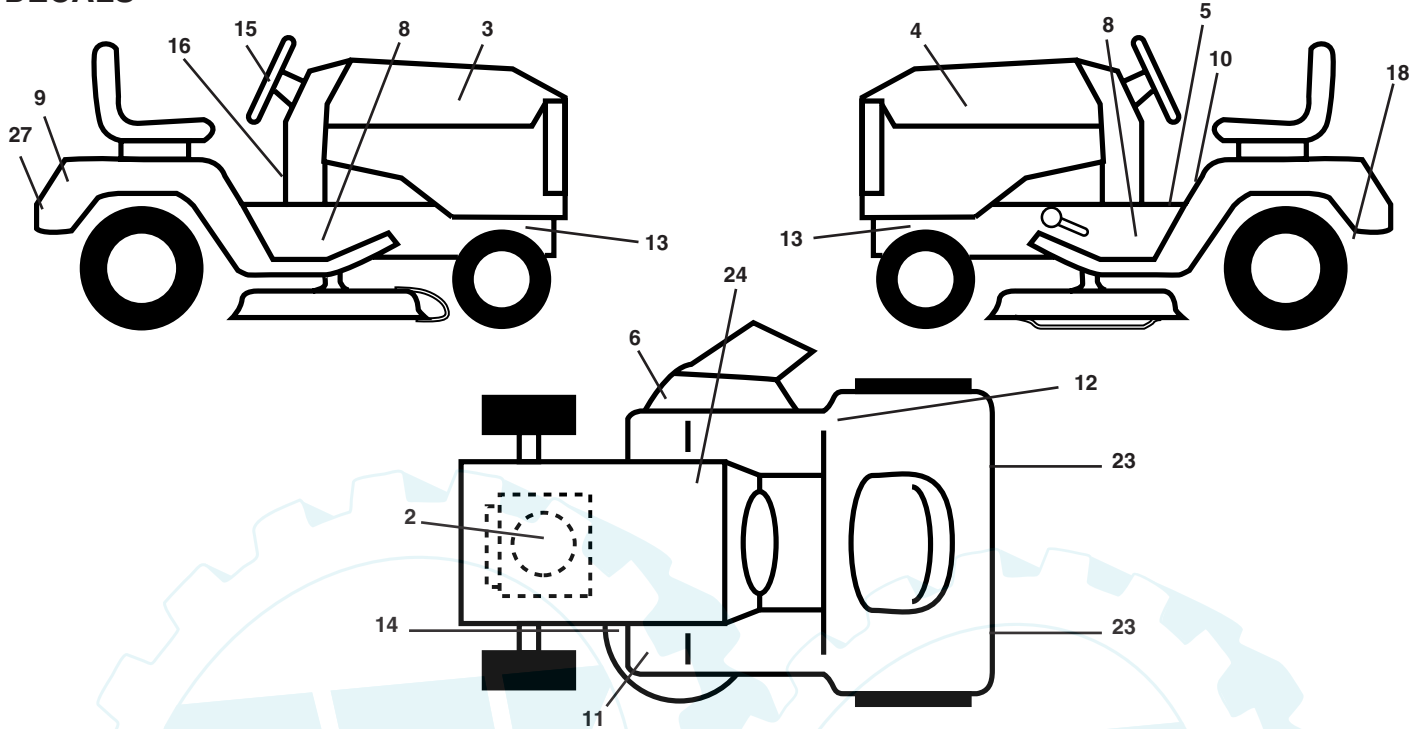
NOTE: All component dimensions given in U.S. inches
1 inch = 25.4 mm

REPAIR PARTS

www.ersatzteil-service.de

TRACTOR - MODEL NO. REGT20H122A, PRODUCT NO. 964 79 77-00

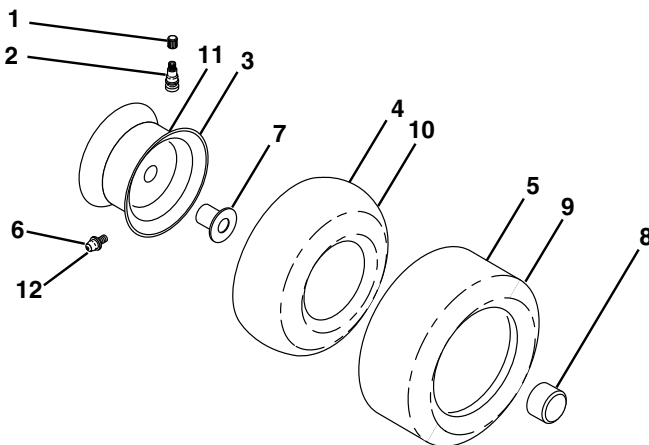
DECALS



KEY NO.	PART NO.	DESCRIPTION
2	532 17 08-51	Decal, Engine
3	532 18 66-58	Decal, Hood, RH
4	532 18 66-59	Decal, Hood, LH
5	532 14 08-37	Decal, Brake Park
6	532 18 21-66	Decal, Warning Cutting
8	532 18 66-61	Decal, Chassis
9	532 18 11-46	Decal, Fender
10	532 14 54-98	Decal
11	532 17 78-73	Decal, Foot Rest
12	532 18 04-33	Decal, Fender 105 OB/CE
13	532 15 97-36	Decal, Chassis Hot Muffler
14	532 17 52-91	Decal, V-Belt Schematic

KEY NO.	PART NO.	DESCRIPTION
15	532 18 66-60	Decal, Ins. Strg Whl
16	532 17 32-07	Decal, Dash
18	532 16 25-98	Decal, Drawbar
23	532 10 62-02	Reflector, Taillight
24	532 14 50-05	Decal, Btry Dngr/Psn
27	532 16 69-60	Decal, By Pass
--	532 18 10-91	Pad Footrest LH
--	532 18 10-90	Pad Footrest RH
--	532 18 66-73	Manual, Operator's (Euro)
--	532 18 66-75	Manual, Operator's (Scan)
--	532 18 66-81	Manual, Parts

WHEELS & TIRES



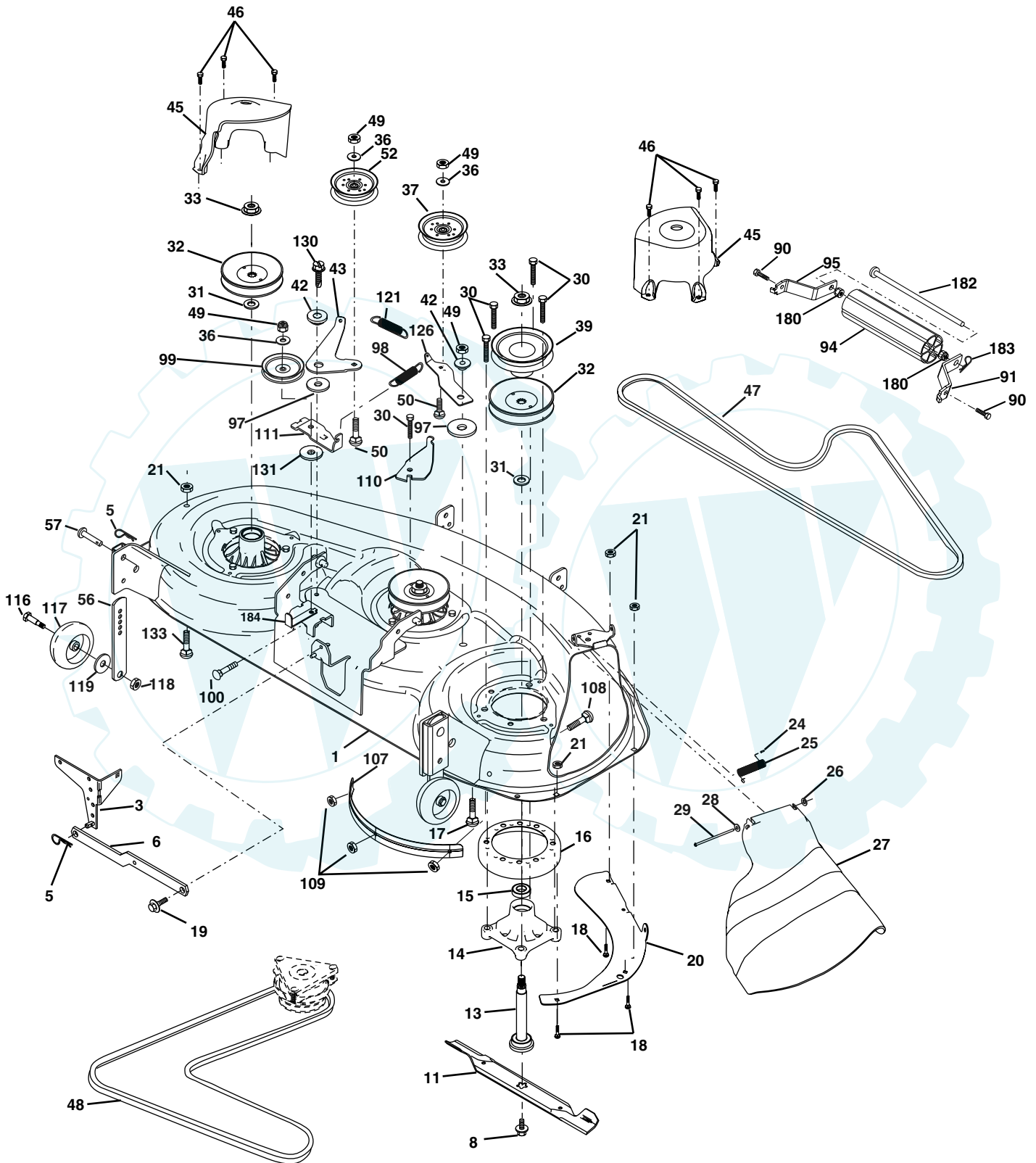
KEY NO.	PART NO.	DESCRIPTION
1	532 05 91-92	Cap, Valve, Tire
2	532 06 51-39	Stem, Valve
3	532 18 69-40	Rim Assembly, Front
4	532 00 81-34	Tube, Front (Service Item Only)
5	532 10 62-30	Tire, Front
6	532 12 49-57	Fitting, Grease
7	532 12 49-59	Bearing, Flange (Front Wheel Only)
8	532 17 50-39	Cap, Hub
9	532 10 55-88	Tire, Rear
10	532 00 71-54	Tube, Rear (Service Item Only)
11	532 18 69-39	Rim Assembly, Rear
12	532 12 48-60	Fitting, Grease
--	532 14 43-34	Sealant, Tire (10 oz. Tube)

NOTE: All component dimensions given in U.S. inches
1 inch = 25.4 mm

REPAIR PARTS

www.ersatzteil-service.de

TRACTOR - MODEL NO. REGT20H122A, PRODUCT NO. 964 79 77-00
MOWER DECK



REPAIR PARTS

www.ersatzteil-service.de

TRACTOR - MODEL NO. REGT20H122A, PRODUCT NO. 964 79 77-00 MOWER DECK

KEY NO.	PART NO.	DESCRIPTION	KEY NO.	PART NO.	DESCRIPTION
1	532 18 03-59	Deck Weldment Mower 48	48	532 17 43-68	V-Belt, Mower, Primary
3	532 17 89-15	Bracket Asm., Sway Bar	49	873 68 06-00	Nut, Crownlock 3/8-16 UNC
5	532 12 46-70	Retainer Spring	50	872 11 06-12	Bolt, Carr. 3/8-16 x 1-1/2 Gr. 5
6	532 17 80-24	Arm, Suspension, Rear Sway Bar Deck	52	532 17 58-20	Pulley Idler Flat
8	532 17 43-65	Bolt 7/16 Asm. Blade	56	532 15 59-86	Bar Pnt Adj.
11	532 18 00-54	Blade, 48" Hi-Lift (For bagging and discharging)	57	532 15 69-41	Pin Head Rivet
13	532 17 51-47	Shaft Asm. w/Lower Bearing	90	874 76 05-16	Bolt Hex Hd 5/16-18 x 1
14	532 17 43-58	Mandrel Asm. Housing	91	532 18 05-34	Bracket, Asm Noseroller, LH
15	532 11 04-85	Bearing, Ball, Mandrel	94	532 17 60-66	Noseroller
16	532 17 44-93	Stripper Mandrel Deck	95	532 18 05-35	Bracket, Asm Noseroller RH
17	872 11 06-10	Bolt RDHD Sq Neck 3/8-16 x 1.25	97	532 17 85-15	Washer Hardened
18	872 14 05-05	Bolt, Carriage 5/16-18 x 5/8	98	532 17 94-79	Spring Primary Drive
19	532 13 28-27	Bolt, Hex Hd, Shoulder 5/16-18	99	532 18 40-58	Pulley Idler"V"
20	532 17 43-78	Baffle, Vortex Mower	100	872 11 06-16	Bolt RDHD Sqnk 3/8-16 UNC x 2
21	873 68 05-00	Nut, Crownlock 5/16-18 UNC	110	532 17 50-16	Arm Spring Secondary
24	532 10 53-04	Cap, Sleeve	111	532 17 46-10	Arm Spring Fixed
25	532 17 81-02	Spring, Torsion	133	872 11 05-06	Bolt 5/16-18 x 3/4
26	532 11 04-52	Nut, Push	116	532 18 42-19	Bolt, Shoulder
27	532 18 17-07	Deflector Shield	117	532 13 39-57	Gauge Wheel
28	819 11 10-16	Washer 11/32 x 5/8 x 16 Ga.	118	873 93 06-00	Nut, Centerlock 3/8-16 UNC
29	532 13 14-91	Rod, Hinge	119	819 12 14-14	Washer 3/8 x 7/8 x 14 Ga.
30	532 17 39-84	Screw, Thdroll Washer Head	121	532 17 43-71	Spring Secondary Drive
31	532 12 99-63	Washer, Spacer Mower Vented	126	532 17 43-72	Arm, Idler, Primary Deck
32	532 17 78-65	Pulley, Mandrel	130	817 00 06-16	Screw 3/8-16 x 1.0
33	532 17 83-42	Nut, Flg. Top Lock Cntr. 9/16	131	819 13 16-06	Washer 13/32 x 1.0 x 6 Ga.
36	819 13 13-16	Washer 13/32 x 13/16 x 16 Ga.	180	873 80 05-00	Nut Lock Hex w/Ins. 5/16-18 UNC
37	532 17 79-68	Pulley, Idler, Flat	182	532 17 91-27	Rod Roller Nose
39	532 17 43-75	Pulley, Idler, Driven	183	532 16 35-52	Retainer Spring
42	532 16 57-23	Spacer, Retainer	184	532 17 39-79	Keeper Belt Idler
43	532 17 43-73	Arm, Idler Secondary	--	532 18 17-04	Relplacement Mower, Complete
45	532 18 08-06	Cover, Mandrel Deck	--	532 17 43-57	Mandrel Asm. Service (Includes Key Nos. 13-15 and 33)
46	532 13 77-29	Screw, Thdroll. 1/4-20 x 5/8			
47	532 18 08-08	V-Belt, Mower, Secondary			

NOTE: All component dimensions given in U.S. inches
1 inch = 25.4 mm