

**REPAIR PARTS MANUAL**  
**MODEL NO. REB1192(REB1192A)**  
**Lawn Tractor**

---

**Rally**  
00137

# HOW TO USE THIS MANUAL

This manual is designed to provide the customer with a means to identify the parts on his/her tractor when ordering repair parts. The illustrations may or may not represent the actual assemblies; therefore, it is not recommended to use this manual as a guide to assemble or disassemble the tractor. Some hardware and parts are drawn larger in order to more readily identify them.

Each tractor has its own model number.

The model number for your tractor can be found on the fender under the seat.

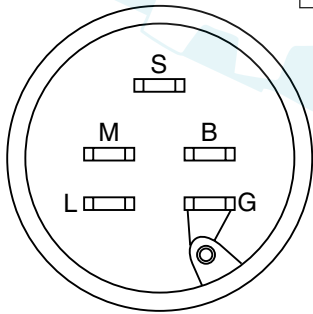
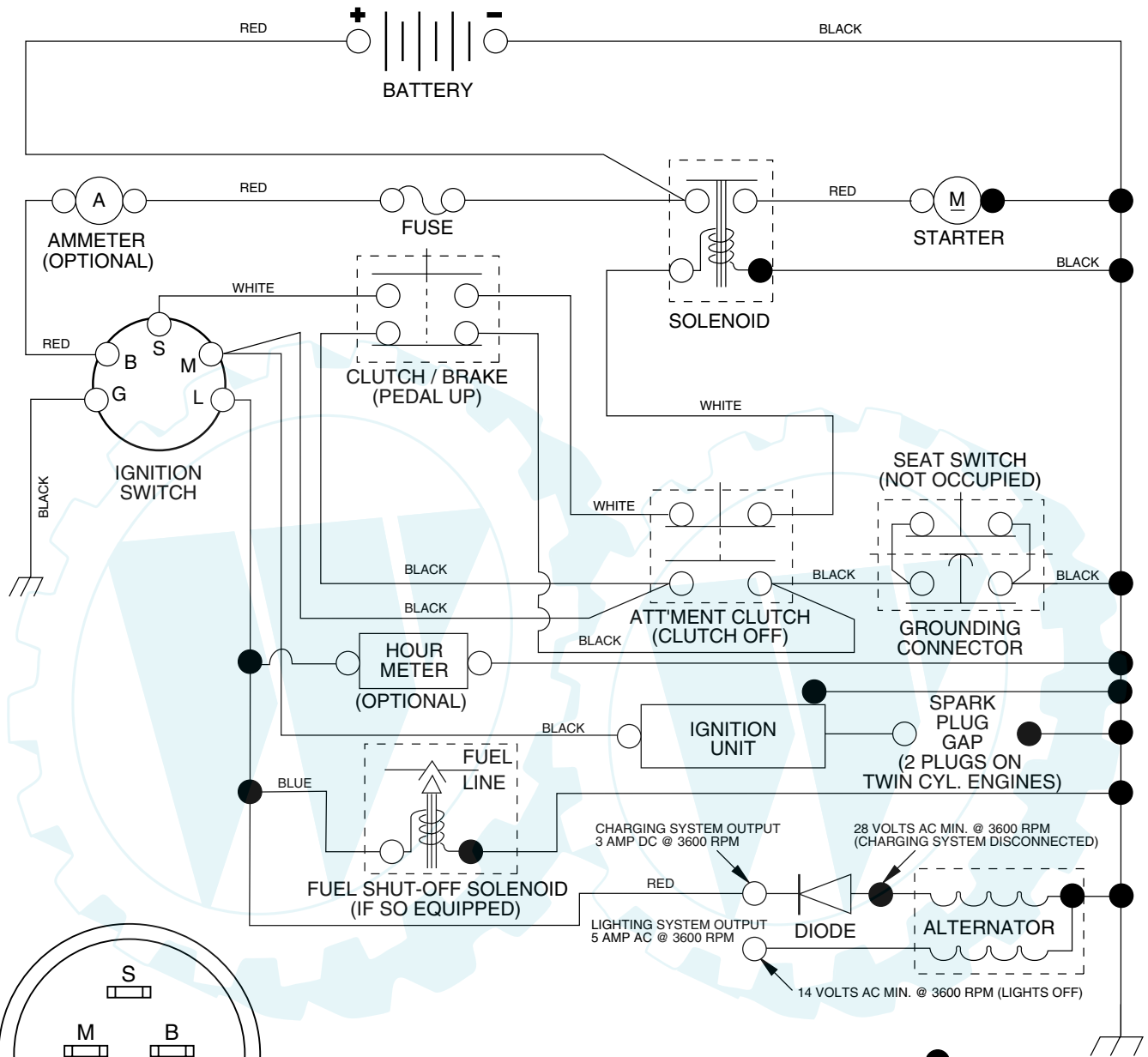
When ordering parts, always give the following information:

- Product - "Lawn Tractor"
- Model Number - REB1192(REB1192A)
- Part Number
- Part Description

## TABLE OF CONTENTS

|                             |       |
|-----------------------------|-------|
| SCHEMATIC .....             | 3     |
| ELECTRICAL.....             | 4-5   |
| CHASSIS AND ENCLOSURES..... | 6-7   |
| DRIVE.....                  | 8-9   |
| STEERING WHEEL .....        | 10-11 |
| SEAT .....                  | 12    |
| DECALS.....                 | 13    |
| ENGINE.....                 | 14-15 |
| MOWER LIFT .....            | 16-17 |
| MOWER DECK .....            | 18-19 |

# TRACTOR - - MODEL NUMBER REB1192 (REB1192A), PRODUCT NO. 964 79 60-00 SCHEMATIC



**IGNITION SWITCH**

| POSITION | CIRCUIT   |
|----------|-----------|
| OFF      | M + G     |
| ON       | B + L     |
| START    | B + S + L |

**WIRING INSULATED CLIPS**  
**NOTE:** IF WIRING INSULATED CLIPS WERE REMOVED FOR SERVICING OF UNIT, THEY SHOULD BE REPLACED TO PROPERLY SECURE YOUR WIRING.

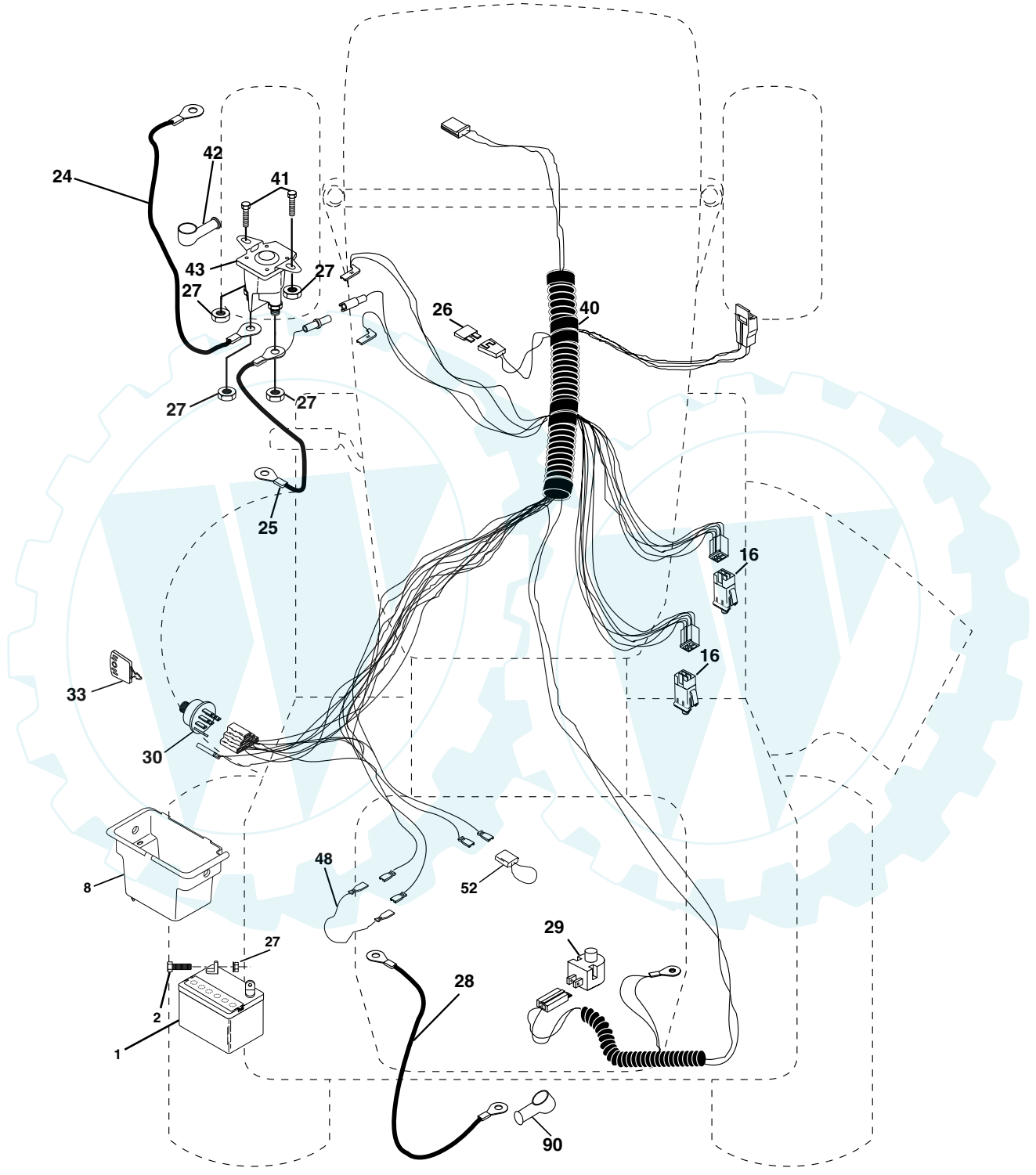
●  
 NON-REMOVABLE CONNECTIONS

○  
 REMOVABLE CONNECTIONS

# REPAIR PARTS

[www.ersatzteil-service.de](http://www.ersatzteil-service.de)

TRACTOR - - MODEL NUMBER REB1192 (REB1192A), PRODUCT NO. 964 79 60-00  
ELECTRICAL



# REPAIR PARTS

[www.ersatzteil-service.de](http://www.ersatzteil-service.de)

**TRACTOR - - MODEL NUMBER REB1192 (REB1192A), PRODUCT NO. 964 79 60-00  
ELECTRICAL**

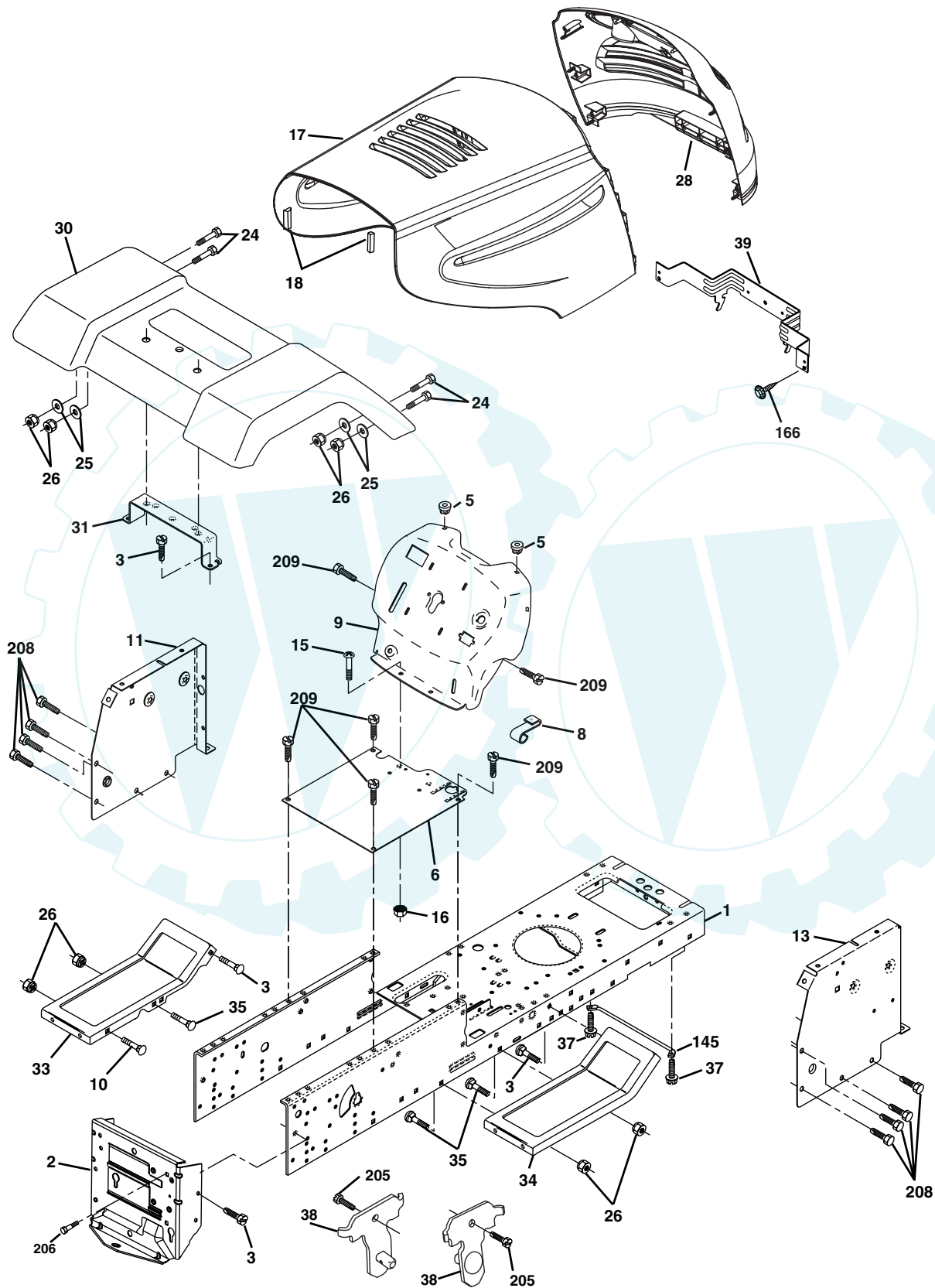
| KEY NO. | PART NO.     | DESCRIPTION                     |
|---------|--------------|---------------------------------|
| 1       | 532 16 34-65 | Battery                         |
| 2       | 874 76 04-12 | Bolt Hex Hd 1/4-20unc X 3/4     |
| 8       | 532 17 66-89 | Box Battery Fender              |
| 16      | 532 17 61-38 | Switch Interlock                |
| 24      | 532 12 47-80 | Cable Battery 6 Ga 11" Red      |
| 25      | 532 14 61-47 | Cable Battery 6 Ga Red w/16 wir |
| 26      | 532 17 51-58 | Fuse                            |
| 27      | 873 51 04-00 | Nut Keps Hex 1/4-20 Unc         |
| 28      | 532 12 47-73 | Cable Ground 6 Ga 12" black     |
| 29      | 532 12 13-05 | Switch Plunger Nc Gray          |
| 30      | 532 17 55-67 | Switch Ign                      |
| 33      | 532 14 04-01 | Key                             |
| 40      | 532 17 97-30 | Harness Ing                     |
| 41      | 871 11 04-08 | Bolt Blk Fin Hex 1/4 - 20 x 1/2 |
| 42      | 532 13 15-63 | Cover Terminal Red              |
| 43      | 532 17 88-61 | Solenoid                        |
| 48      | 532 14 08-44 | Adapter Ammeter Rectangular     |
| 52      | 532 14 19-40 | Protection Wire Loop            |
| 90      | 532 18 04-49 | Cover Terminal Battery          |

**NOTE:** All component dimensions given in U.S. inches.  
1 inch = 25.4 mm.

# REPAIR PARTS

[www.ersatzteil-service.de](http://www.ersatzteil-service.de)

TRACTOR -- MODEL NUMBER REB1192 (REB1192A), PRODUCT NO. 964 79 60-00  
CHASSIS



# REPAIR PARTS

[www.ersatzteil-service.de](http://www.ersatzteil-service.de)

TRACTOR - - MODEL NUMBER REB1192 (REB1192A), PRODUCT NO. 964 79 60-00  
CHASSIS

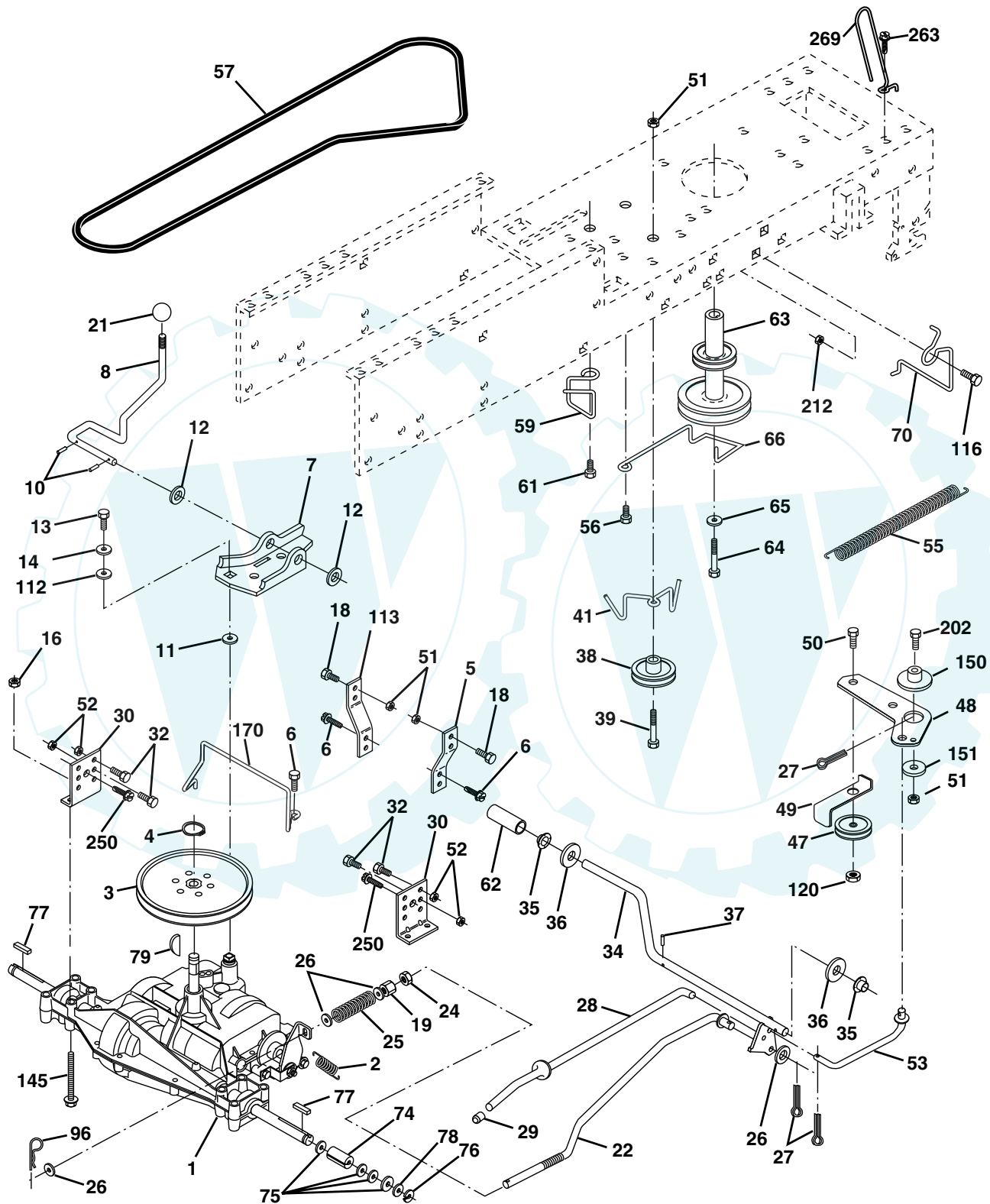
| KEY NO. | PART NO.     | DESCRIPTION                             |
|---------|--------------|---|
| 1       | 532 17 46-20 | Chassis                                 |
| 2       | 532 17 65-54 | Drawbar                                 |
| 3       | 817 06 06-12 | Screw 3/8-16 x 3/4                      |
| 5       | 532 15 52-72 | BumperHood/Dash                         |
| 6       | 532 18 12-71 | Saddle                                  |
| 8       | 532 15 51-38 | Clip, Retainer Slide-On                 |
| 9       | 532 18 54-80 | Dash                                    |
| 10      | 872 14 06-08 | Bolt, Carriage 3/8-16 x 1               |
| 11      | 532 17 49-96 | Dashboard, Panel LH                     |
| 12      | 532 14 56-60 | Clip Tinnerman Grille P/L               |
| 13      | 532 18 17-19 | Dashboard, Panel RH                     |
| 15      | 874 18 05-12 | Machine screw 5/16-18 unc x 3/4         |
| 16      | 873 51 05-00 | Nut, Keps 5/16-18 Unc                   |
| 17      | 532 18 67-07 | Hood Pnt                                |
| 18      | 532 12 69-38 | BumperHood                              |
| 24      | 874 78 06-16 | Bolt, Hex Head, Fin. 3/8-16 x 1 Grade 5 |
| 25      | 819 13 13-12 | Washer 13/32 x 13/16 x12 Gauge          |
| 26      | 873 80 06-00 | Nut Lock Hex w/Ins. 3/8-16 Unc          |
| 28      | 532 18 67-18 | Grille                                  |
| 30      | 532 18 25-35 | Fender                                  |
| 31      | 532 13 66-19 | Fender Bracket                          |
| 33      | 532 18 11-93 | Footrest, LH                            |
| 34      | 532 18 11-94 | Footrest, RH                            |
| 35      | 872 11 06-06 | Bolt 3/8-16 X 3/4                       |
| 37      | 817 49 05-08 | Screw Thdrol 5/16-18 x 1/2              |
| 38      | 532 17 57-10 | Bracket Asm. Pivot Mower Rear           |
| 39      | 532 17 47-14 | Bracket Pivot                           |
| 145     | 532 15 65-24 | Rod Pivot Chassis/Hood                  |
| 166     | 532 17 18-75 | Screw Hi-Lo #13-16 x 3/4                |
| 205     | 817 49 06-08 | Screw Thdrol 3/8-16 x 1/2               |
| 206     | 532 17 01-65 | Bolt Shoulder 5/16-18 TT                |
| 208     | 817 67 06-08 | Screw Thdrol 3/8-16 x 1/2               |
| 209     | 817 00 06-12 | Screw Hexwsh Thdr 3/8-16 x 3/4          |
| - -     | 532 00 54-79 | Button Plug                             |

**NOTE:** All component dimensions given in U.S. inches.  
1 inch = 25.4 mm.

# REPAIR PARTS

[www.ersatzteil-service.de](http://www.ersatzteil-service.de)

TRACTOR -- MODEL NUMBER REB1192 (REB1192A), PRODUCT NO. 964 79 60-00  
DRIVE





# REPAIR PARTS

[www.ersatzteil-service.de](http://www.ersatzteil-service.de)

## TRACTOR - - MODEL NUMBER REB1192 (REB1192A), PRODUCT NO. 964 79 60-00 DRIVE

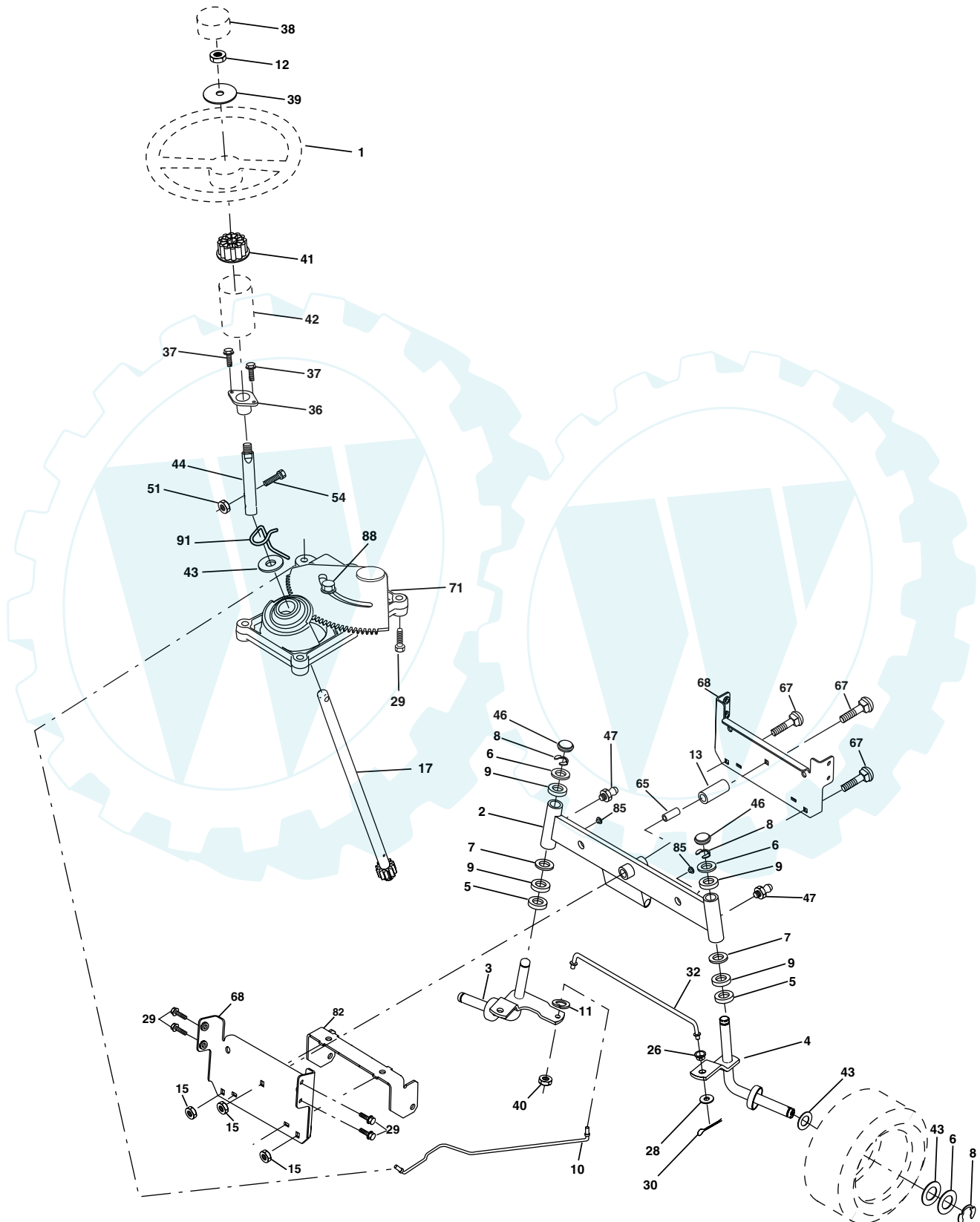
| KEY NO. | PART NO.     | DESCRIPTION   | KEY NO. | PART NO.     | DESCRIPTION                       |
|---------|--------------|---|---------|--------------|-----------------------------------|
| 1       | -----        | Transaxle (See Breakdown)<br>Peerless, Model 204-506B<br>Order parts from transaxle<br>manufacturer | 50      | 872 11 06-12 | Bolt, 3/8-16 x 1-1/2 Gr. 5        |
| 2       | 532 14 66-82 | Spring, Brake Return  | 51      | 873 68 06-00 | Nut, Crownlock 3/8-16             |
| 3       | 532 12 36-66 | Pulley, Transaxle   | 52      | 873 68 05-00 | Nut, Crownlock 5/16-18            |
| 4       | 812 00 00-28 | Ring, Retainer  | 53      | 532 10 57-10 | Link, Clutch                      |
| 5       | 532 12 15-20 | Strap, Torque   | 55      | 532 10 57-09 | Spring, Return, Clutch            |
| 6       | 817 06 05-12 | Screw, 5/16-18 x 3/4 SMGML  | 56      | 817 06 06-20 | Screw 3/8-16 x 1-1/4              |
| 7       | 532 16 22-40 | Bracket, T/A, Saddle Shift  | 57      | 532 13 08-01 | V-Belt, Drive                     |
| 8       | 532 13 16-79 | Rod, Shifter  | 59      | 532 16 96-91 | Keeper Belt Center Span           |
| 10      | 876 02 04-16 | Pin, Cotter 1/8 x 1   | 61      | 817 12 06-14 | Screw 3/8-16 x .875               |
| 11      | 532 10 57-01 | Washer, Shift Plate   | 62      | 532 12 48-72 | Cover, Foot Pedal                 |
| 12      | 819 15 12-16 | Washer 15/32 x 3/4 x 16   | 63      | 532 18 02-19 | Pulley, Engine                    |
| 13      | 874 55 04-12 | Bolt 1/4-28 UNF Gr. 8 w/Patch   | 64      | 871 17 07-64 | Bolt, Hex 7/16-20 x 4 Gr. 5       |
| 14      | 810 04 04-00 | Washer Lock   | 65      | 810 04 07-00 | Washer, Lock Hvy Hlcl Spr 7/16    |
| 18      | 874 78 06-16 | Bolt, Fin Hex 3/8-16 Unc x 1 Gr. 5  | 66      | 532 15 47-78 | Keeper, Belt Engine F-Proof       |
| 19      | 873 80 06-00 | Locknut 3/8-16  | 70      | 532 18 02-18 | Guide Belt Mower Drive RH         |
| 21      | 532 10 69-33 | Knob  | 74      | 532 13 70-57 | Spacer, Split                     |
| 22      | 532 13 08-04 | Rod, Brake  | 75      | 532 12 17-49 | Washer 25/32 x 1-1/4 x 16 Ga.     |
| 24      | 873 35 06-00 | Nut, Hex Jam 3/8-16   | 76      | 812 00 00-01 | E-Ring                            |
| 25      | 532 10 68-88 | Spring, Rod, Brake  | 77      | 532 12 35-83 | Key Square                        |
| 26      | 819 13 13-16 | Washer 13/32 x 13/16 x 16 Gauge   | 78      | 532 12 17-48 | Washer 25/32 x 1-5/8 x 16 Ga.     |
| 27      | 876 02 04-12 | Pin, Cotter 1/8 x 3/4   | 79      | 532 12 50-96 | Key Woodruff #9 3/16 x 3/4        |
| 28      | 532 17 57-65 | Rod, Brake, Park  | 96      | 532 12 47-80 | Retainer Spring 1" Ziinc/Cad      |
| 29      | 532 07 16-73 | Cap, Plunger  | 112     | 819 09 12-10 | Washer 9/32 x 3/4 x 10 Ga.        |
| 30      | 532 17 49-73 | Bracket, Transaxle, L.H.  | 113     | 532 12 72-85 | Strap Torque L.H. Lt              |
| 32      | 874 76 05-12 | Bolt Hex Hd 5/16-18 UNC x 3/4   | 116     | 872 14 06-08 | Bolt RDHD SQNK 3/8-16unc x 1      |
| 34      | 532 17 55-78 | Shaft, Foot Pedal   | 120     | 873 90 06-00 | Nut Lock Flg. 3/8-16 Unc          |
| 35      | 532 12 01-83 | Bearing Nylon   | 145     | 874 49 05-40 | Bolt, Hex Flghd 5/16-18 Gr. 5     |
| 36      | 819 21 16-16 | Washer 21/32 x 1 x 16 Gauge   | 150     | 532 17 54-56 | SpacerRetainer                    |
| 37      | 532 12 49-63 | Pin, Roll 3/16 x 1  | 151     | 819 13 32-10 | Washer 13/32 x 2 x 10 Ga.         |
| 38      | 532 17 91-14 | Pulley Idler  | 170     | 532 17 83-94 | Keeper, Belt, Transaxle           |
| 39      | 874 76 06-48 | Bolt Fin Hex 3/8-16unc x 3  | 202     | 872 11 06-14 | Bolt Carr Sh 3/8-16 x 1-3/4 Gr. 5 |
| 41      | 532 17 55-56 | Keeper, Belt  | 212     | 532 14 52-12 | Nut Hex Flange Lock               |
| 47      | 532 12 77-83 | Pulley, Idler   | 250     | 817 06 06-12 | Screw, 3/8-16 x 3/4 SMGML         |
| 48      | 532 15 44-07 | Bellcrank Asm Clutch  | 263     | 817 00 06-12 | Screw 3/8-16 x 3/4                |
| 49      | 532 12 32-05 | Retainer, Belt  | 269     | 532 18 24-02 | Guard Muffler                     |

**NOTE:** All component dimensions given in U.S. inches  
1 inch = 25.4 mm

# REPAIR PARTS

[www.ersatzteil-service.de](http://www.ersatzteil-service.de)

TRACTOR - - MODEL NUMBER REB1192 (REB1192A), PRODUCT NO. 964 79 60-00  
STEERING ASSEMBLY



# REPAIR PARTS

[www.ersatzteil-service.de](http://www.ersatzteil-service.de)

## TRACTOR - - MODEL NUMBER REB1192 (REB1192A), PRODUCT NO. 964 79 60-00 STEERING ASSEMBLY

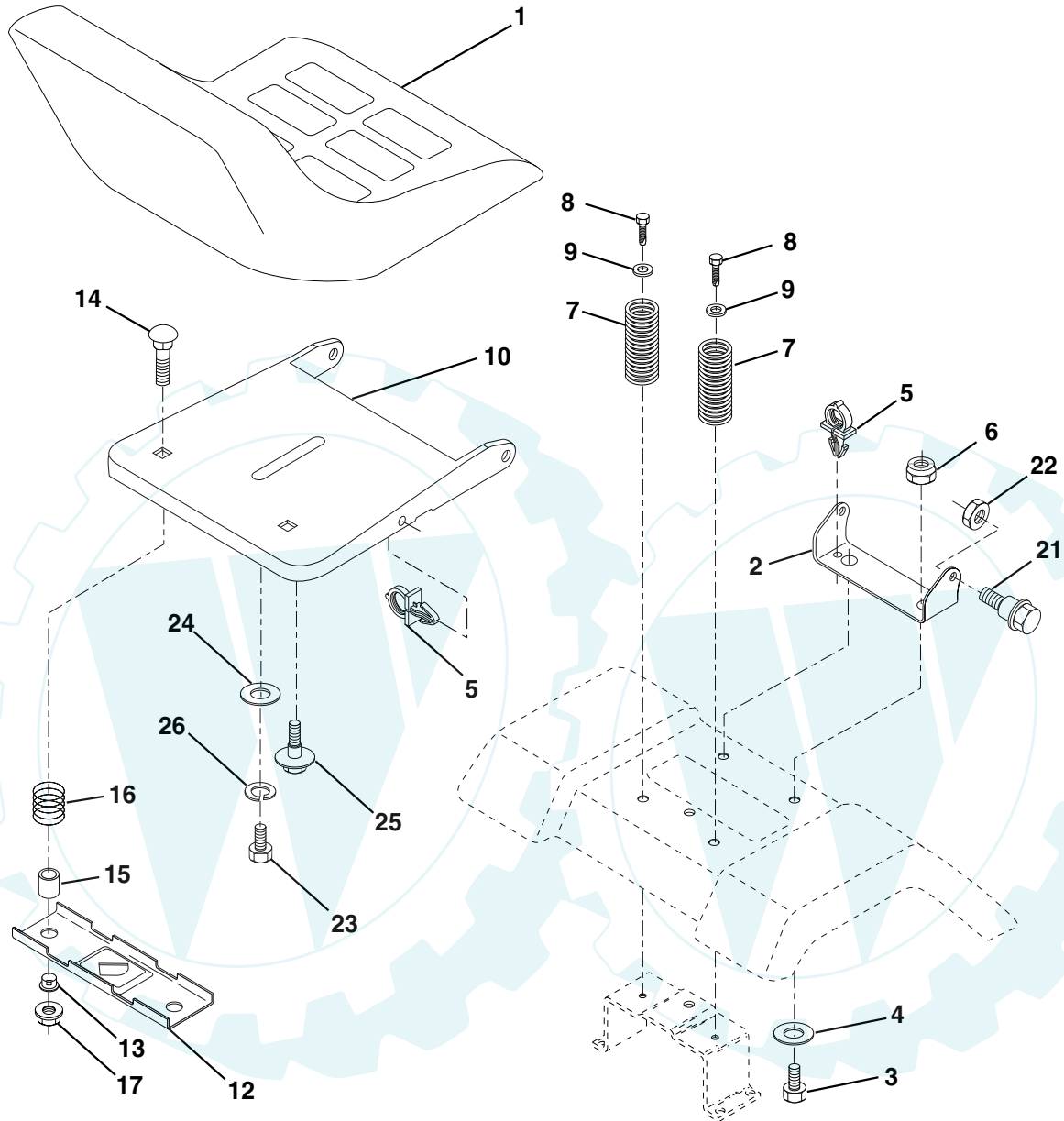
| KEY NO. | PART NO.     | DESCRIPTION                      |
|---------|--------------|----------------------------------|
| 1       | 532 13 97-68 | Wheel Steering Opp. Sears Blk    |
| 2       | 532 17 51-31 | Axle Asm                         |
| 3       | 532 16 98-40 | Spindle Asm LH                   |
| 4       | 532 16 98-39 | Spindle Asm RH                   |
| 5       | 532 12 49-31 | Bearing Race Thrust Harden       |
| 6       | 532 12 17-48 | Washer 25/32 x 1-5/8 x 16 Ga     |
| 7       | 819 27 20-16 | Washer 27/32 x 1-1/4 x 16 Ga     |
| 8       | 812 00 00-29 | Ring Klip #t5304-75              |
| 9       | 532 12 49-37 | Bearing Col Strg Blk             |
| 10      | 532 17 51-21 | Link Drag                        |
| 11      | 810 04 06-00 | Washer Lock Hvy Hlcl Spr 3/8     |
| 12      | 873 94 08-00 | Nut Hex Jam Toplock 1/2-20 Unf   |
| 13      | 532 13 65-18 | Spacer Brace Axle                |
| 15      | 532 14 52-12 | Nut Hexflange Lock               |
| 17      | 532 18 06-41 | Shaft Asm Strg                   |
| 26      | 532 12 68-47 | Bushing Link Drag Blk LR         |
| 28      | 819 13 14-16 | Washer 13/32 x 7/8 x 16 Ga       |
| 29      | 817 06 06-12 | Screw 3/8-16 x .75               |
| 30      | 876 02 04-12 | Pin Cotter 1/8 x 3/4 Cad         |
| 32      | 532 13 04-65 | Rod Tie Wire Form 19 75 Mech     |
| 36      | 532 15 50-99 | Bushing Strg Nat .623/.618ld     |
| 37      | 532 15 29-27 | Screw TT #10-32 x 5 x 3/8 Flange |
| 38      | 532 14 01-75 | Cap Wheel Steer P/L              |
| 39      | 819 18 38-12 | Washer 9/16 ID x 2-3/8 OD 12 Gr  |
| 40      | 532 12 47-01 | Nut Lock Center 3/8-24unf        |
| 41      | 532 10 07-11 | Adaptor Wheel Strg               |
| 42      | 532 16 96-33 | Boot Shaft Steering              |
| 43      | 532 12 17-49 | Washer 25/32 X 1 1/4 X 16 Ga     |
| 44      | 532 18 06-40 | Extension Steering               |
| 46      | 532 12 12-32 | Cap Spindle Fr Top Blk           |
| 47      | 532 18 32-26 | Fitting Grease                   |
| 51      | 873 54 04-00 | Nut Crownlock 1/4-28             |
| 54      | 871 13 04-20 | Bolt Hex 1/4-28unf x 1-1/4 Gr. 8 |
| 65      | 532 16 03-67 | Spacer Brace Axle                |
| 67      | 872 14 06-18 | Bolt RDHD SQ 3/8-16 UNC x 2-1/4  |
| 68      | 532 16 98-27 | Brace Axle                       |
| 71      | 532 17 51-46 | Steering Asm                     |
| 82      | 532 16 98-35 | Bracket Susp. Chassis Front      |
| 85      | 532 13 38-35 | Fastener Christmas Tree          |
| 88      | 532 17 51-18 | Bolt Shoulder 7/16-20            |
| 91      | 532 17 55-53 | Cup Steering                     |

**NOTE:** All component dimensions given in U.S. inches.  
1 inch = 25.4 mm.

# REPAIR PARTS

[www.ersatzteil-service.de](http://www.ersatzteil-service.de)

TRACTOR - - MODEL NUMBER REB1192 (REB1192A), PRODUCT NO. 964 79 60-00  
SEAT ASSEMBLY



| KEY NO. | PART NO.     | DESCRIPTION                    |
|---------|--------------|--------------------------------|
| 1       | 532 17 53-89 | Seat                           |
| 2       | 532 14 05-51 | Bracket Pivot Seat 8 720       |
| 3       | 871 11 06-16 | Bolt Fin Hex 3/8-16unc x 1     |
| 4       | 819 13 16-10 | Washer 13/32 x 1 x 10 Ga       |
| 5       | 532 14 50-06 | Clip Push-In                   |
| 6       | 873 80 06-00 | Nut Lock Hex w/Wsh 3/8-16 Unc  |
| 7       | 532 12 41-81 | Spring Seat Cprsn 2 250 Blk Zi |
| 8       | 817 00 06-16 | Screw 3/8-16 x 1.5             |
| 9       | 819 13 16-14 | Washer 13/32 x 1 x 14 Ga.      |
| 10      | 532 18 24-93 | Pan Seat                       |
| 12      | 532 12 12-46 | Bracket Mounting Switch        |
| 13      | 532 12 12-48 | Bushing Snap Blk Nyl 50 Id     |

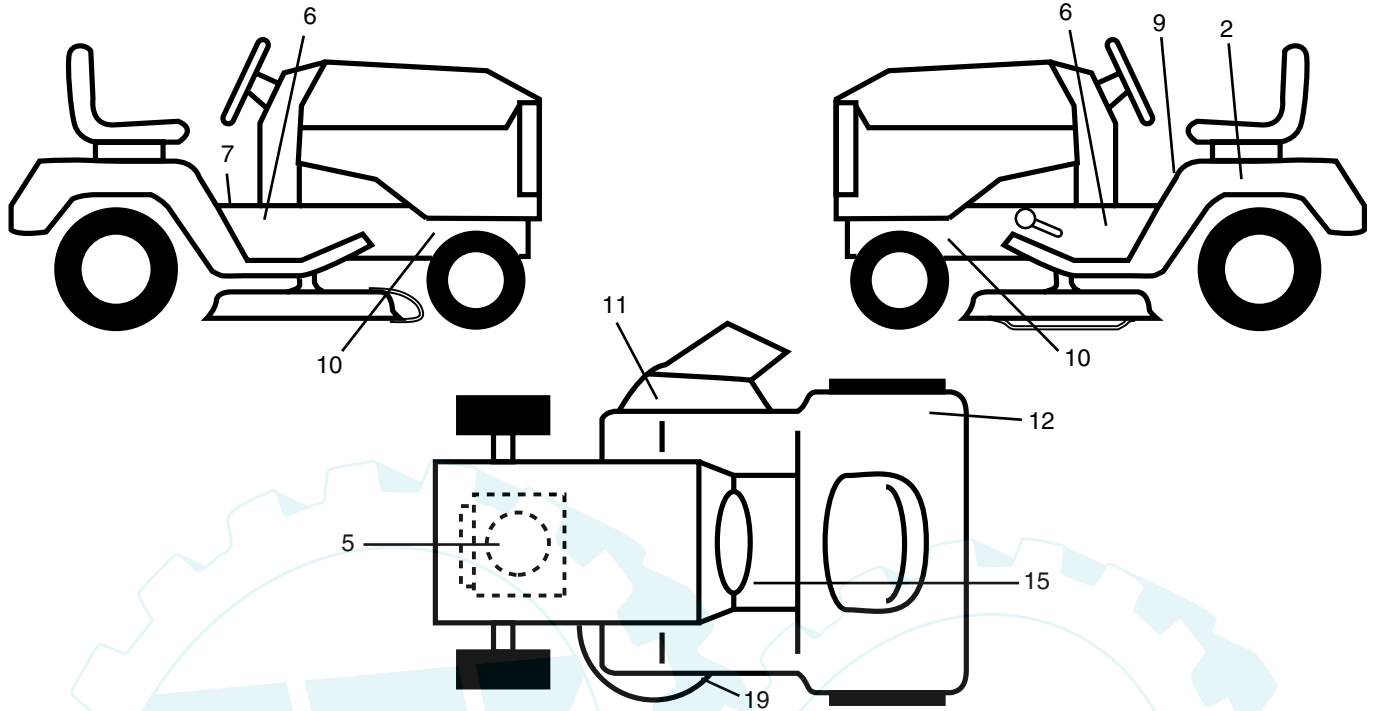
| KEY NO. | PART NO.     | DESCRIPTION                       |
|---------|--------------|-----------------------------------|
| 14      | 872 05 04-12 | Bolt Rdhd Sht Nk 1/4-20 x 1-1/2   |
| 15      | 532 13 43-00 | Spacer Split 28 x 96 Yel Zinc     |
| 16      | 532 12 12-50 | Spring Cprsn 1 27 Blk Pnt         |
| 17      | 532 12 39-76 | Nut Lock 1/4 Lge Flg Gr 5 Zinc    |
| 21      | 532 17 18-52 | Bolt Shoulder 5/16-18 Unc -2A     |
| 22      | 873 80 05-00 | Nut Lock Hex W/Insert 5/16-18 Unc |
| 23      | 871 11 08-14 | Bolt Hex                          |
| 24      | 819 17 19-12 | Washer 17/32 x 1-3/16 x 12 Ga.    |
| 25      | 532 12 70-18 | Bolt Shoulder 5/16-18 x 62        |
| 26      | 810 04 08-00 | Washer Lock Hvy HLCLSPR 1/2       |

**NOTE:** All component dimensions given in U.S. inches.  
1 inch = 25.4 mm

# REPAIR PARTS

[www.ersatzteil-service.de](http://www.ersatzteil-service.de)

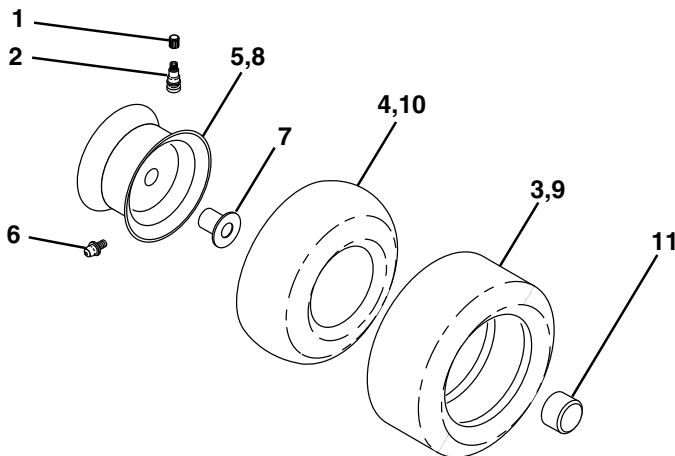
TRACTOR - - MODEL NUMBER REB1192 (REB1192A), PRODUCT NO. 964 79 60-00  
DECALS



| KEY NO. | PART NO.     | DESCRIPTION                   |
|---------|--------------|-------------------------------|
| 2       | 532 14 50-05 | Decal Bat Dan/Poi P/L Symbols |
| 5       | 532 18 47-64 | Decal Engine                  |
| 6       | 532 18 11-92 | Decal Chas.                   |
| 7       | 532 14 08-37 | Decal Saddle Brake Parking    |
| 9       | 532 14 54-98 | Decal Read Owners Manual Syms |
| 10      | 532 15 97-36 | Decal Chassis Hot Muffler     |
| 11      | 532 18 21-66 | Decal Mower Cut finger Symbol |
| 12      | 532 18 04-32 | Decal 100 DbA                 |

| KEY NO. | PART NO.     | DESCRIPTION                     |
|---------|--------------|---------------------------------|
| 15      | 532 15 97-37 | Decal Brake/Clutch              |
| 19      | 532 13 68-32 | Decal V-Belt Sch                |
| --      | 532 16 25-98 | Decal Drawbar Load Limit        |
| --      | 532 13 83-11 | Decal Lift Handle (Lift Handle) |
| --      | 532 18 51-49 | Manual Operator's Euro          |
| --      | 532 18 52-38 | Manual Operator's Scan          |
| --      | 532 18 59-90 | Manual Parts                    |

## WHEELS & TIRES



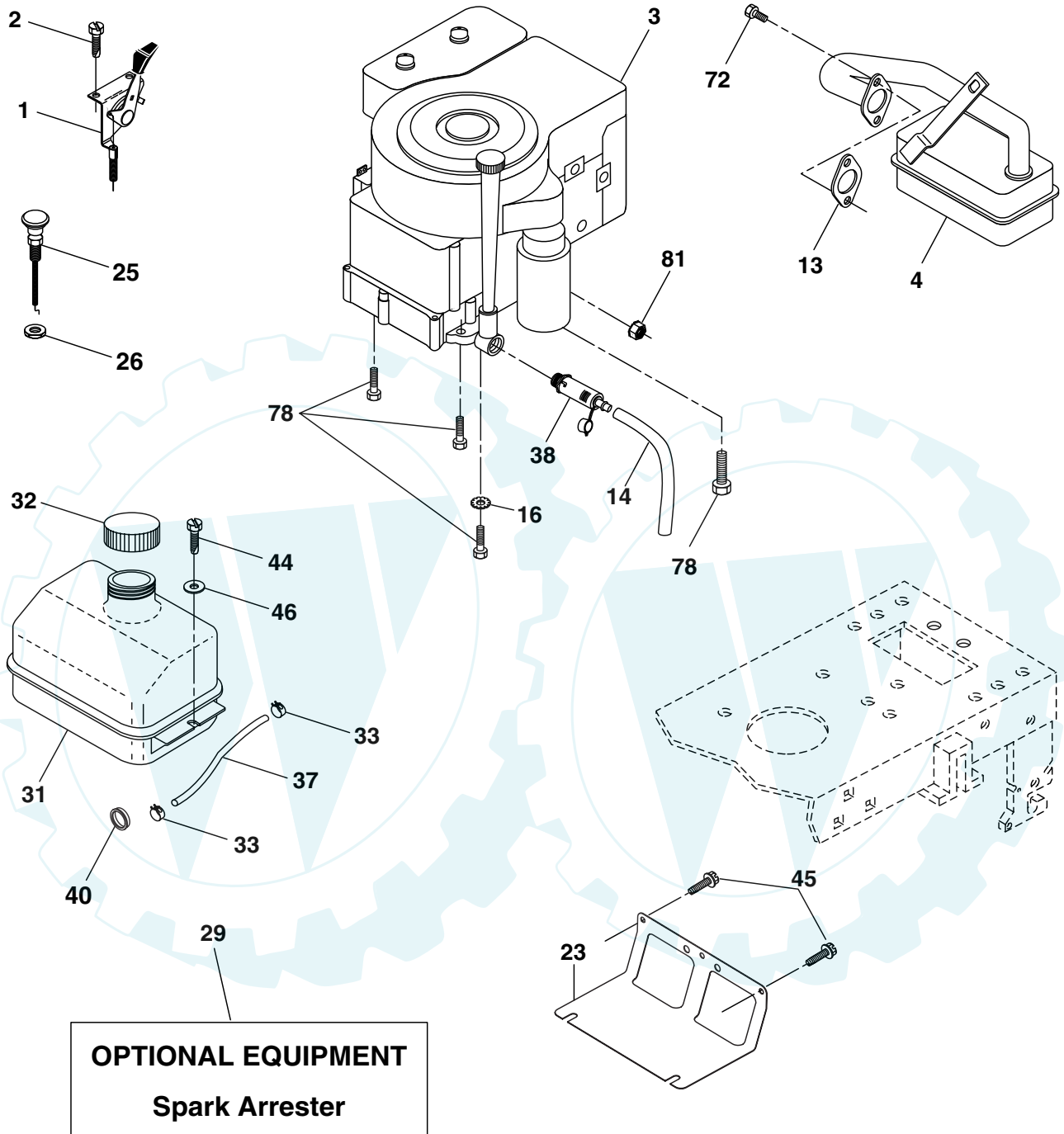
| KEY NO. | PART NO.     | DESCRIPTION                       |
|---------|--------------|-----------------------------------|
| 1       | 532 05 91-92 | Cap Valve Tire                    |
| 2       | 532 06 51-39 | Stem Valve                        |
| 3       | 532 13 74-22 | Tire F Ts 15 X 6 - 6 Service      |
| 4       | 532 05 99-04 | Tube Front (Service Item Only)    |
| 5       | 532 18 56-94 | Rim Asm 6" front Service          |
| 6       | 532 12 49-57 | Fitting Grease (Front Wheel Only) |
| 7       | 532 12 49-59 | Bearing Flange (Front Wheel Only) |
| 8       | 532 18 56-95 | Rim Asm 8" rear Service           |
| 9       | 532 13 27-03 | Tire R Ts 18 x 8.5-8 C. Service   |
| 10      | 532 12 49-26 | Tube Rear (Service Item Only)     |
| 11      | 532 17 50-39 | Cap Axle Blk 1 50 X 1 00          |

**NOTE:** All component dimensions given in U.S. inches  
1 inch = 25.4 mm

# REPAIR PARTS

[www.ersatzteil-service.de](http://www.ersatzteil-service.de)

TRACTOR - - MODEL NUMBER REB1192 (REB1192A), PRODUCT NO. 964 79 60-00  
ENIGNE



# REPAIR PARTS

[www.ersatzteil-service.de](http://www.ersatzteil-service.de)

TRACTOR - - MODEL NUMBER REB1192 (REB1192A), PRODUCT NO. 964 79 60-00  
ENIGNE

| KEY NO. | PART NO.     | DESCRIPTION   |
|---------|--------------|---|
| 1       | 532 17 05-51 | Control Th/ch Flag  |
| 2       | 817 72 04-08 | Screw Hex Thd Cut 1/4-20 x 1/2  |
| 3       | -----        | Engine B&S Model No. 21A807<br>(Order parts from engine manufacturer) |
| 4       | 532 17 97-58 | Muffler   |
| 13      | 532 16 52-91 | Gasket Eng  |
| 14      | 532 14 84-56 | Tube Drain Oil Easy   |
| 16      | 811 05 06-00 | Washer Lock Ext Tooth 3/8   |
| 23      | 532 16 98-37 | Shield Brn/Dbr Guard  |
| 25      | 532 18 09-45 | Control Choke   |
| 26      | 873 92 06-00 | Nut Keps 3/8-24 Unf   |
| 29      | 532 13 71-80 | Kit Spark Arrecter  |
| 31      | 532 18 49-00 | Tank Fuel Front 1.25  |
| 32      | 532 14 05-27 | Cap Asm Fuel W/sym Vented   |
| 33      | 532 12 34-87 | Clamp Hose Blk  |
| 37      | 532 13 70-40 | Line Fuel 20"   |
| 38      | 532 18 16-54 | Plug Oil Drain Easy   |
| 40      | 532 12 40-28 | Bushing Snap Nyl Blk Fuel Line  |
| 44      | 817 67 04-12 | Screw Hexwsh Thdrol 1/4-20 x 3/4                                      |
| 45      | 817 00 06-12 | Screw Hexwsh Thdrol 3/8-16 x 3/4                                      |
| 46      | 819 09 14-16 | Washer 9/32 x 7/8 x 16 Ga.  |
| 72      | 532 18 39-06 | Screw Socket Head 5/16-18 x 1   |
| 78      | 817 06 06-20 | Screw 3/8-16 x 1-1/4  |
| 81      | 873 51 04-00 | Nut Keps Hex 1/4-20 UNC   |

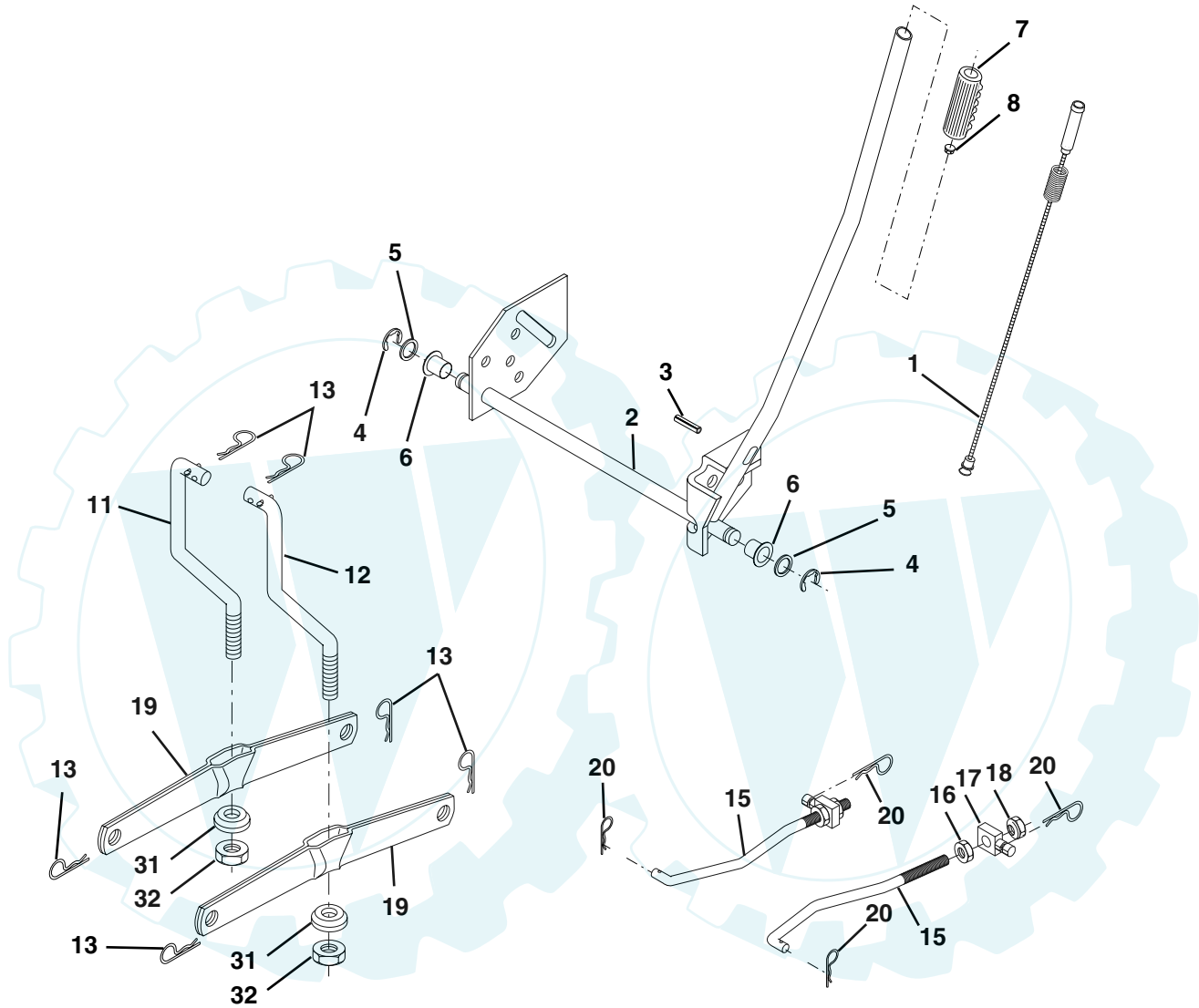
**NOTE:** All component dimensions given in U.S. inches  
1 inch = 25.4 mm



# REPAIR PARTS

[www.ersatzteil-service.de](http://www.ersatzteil-service.de)

TRACTOR - - MODEL NUMBER REB1192 (REB1192A), PRODUCT NO. 964 79 60-00  
MOWER LIFT





# REPAIR PARTS

[www.ersatzteil-service.de](http://www.ersatzteil-service.de)

TRACTOR - - MODEL NUMBER REB1192 (REB1192A), PRODUCT NO. 964 79 60-00  
MOWER LIFT

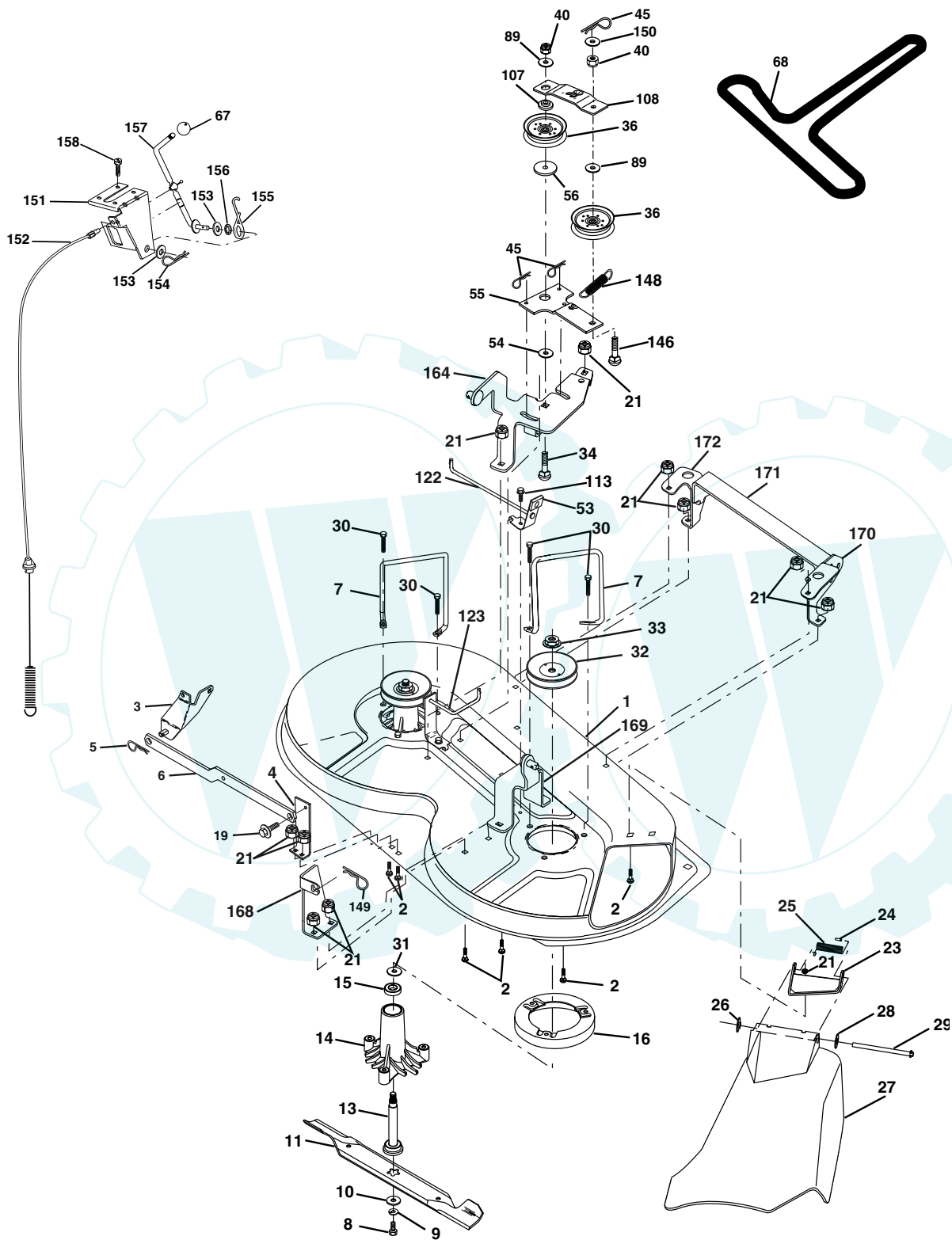
| KEY NO. | PART NO.     | DESCRIPTION                   |
|---------|--------------|-------------------------------|
| 1       | 532 15 94-60 | Wire Asm Inner W/Plunger      |
| 2       | 532 15 94-71 | Shaft Asm Lift                |
| 3       | 532 10 57-67 | Pin Groove                    |
| 4       | 812 00 00-02 | E Ring #5133-62               |
| 5       | 819 21 16-21 | Washer PLTD 21/32 x 1 x 21Ga  |
| 6       | 532 12 01-83 | Bearing Nylon Blk 629 Id      |
| 7       | 532 10 94-13 | Grip Handle Bicycle Matte Blk |
| 8       | 532 12 45-26 | Button Plunger Black          |
| 11      | 532 13 98-65 | Link Lift LH                  |
| 12      | 532 13 98-66 | Link Lift RH                  |
| 13      | 532 12 46-70 | Retainer Spring               |
| 15      | 532 17 32-88 | Link Front                    |
| 16      | 873 35 08-00 | Nut Jam Hex 1/2-13 Unc        |
| 17      | 532 17 56-89 | Trunnion                      |
| 18      | 873 80 08-00 | Nut Lock W/Wsh 1/2-13 Unc     |
| 19      | 532 13 98-68 | Arm Suspension Rear           |
| 20      | 532 16 35-52 | Retainer Spring               |
| 31      | 532 16 98-65 | Bearing Pvt Lift              |
| 32      | 873 54 06-00 | Nut Crownlock 3/8-24          |

**NOTE:** All component dimensions given in U.S. inches  
1 inch = 25.4 mm

# REPAIR PARTS

[www.ersatzteil-service.de](http://www.ersatzteil-service.de)

TRACTOR - - MODEL NUMBER REB1192 (REB1192A), PRODUCT NO. 964 79 60-00  
MOWER



# REPAIR PARTS

[www.ersatzteil-service.de](http://www.ersatzteil-service.de)

## TRACTOR - - MODEL NUMBER REB1192 (REB1192A), PRODUCT NO. 964 79 60-00 MOWER

| KEY NO. | PART NO.     | DESCRIPTION                     | KEY NO. | PART NO.     | DESCRIPTION  |
|---------|--------------|---------------------------------|---------|--------------|--|
| 1       | 532 17 45-95 | Mower Deck Assembly             | 56      | 532 16 57-23 | Spacer, Retainer   |
| 2       | 872 14 05-06 | Bolt                            | 67      | 532 10 69-32 | Knob RD 3/8-16 Plstc Thd   |
| 3       | 532 13 80-17 | Bracket Assembly,Sway Bar       | 68      | 532 18 02-13 | Belt   |
| 4       | 532 17 56-54 | Bracket Sway Bar                | 89      | 819 13 16-12 | Washer 13/32 x 1 x 12 Ga   |
| 5       | 532 12 46-70 | Retainer Spring                 | 107     | 532 13 35-02 | Spacer, Retainer   |
| 6       | 532 17 80-24 | Bar Sway Deck                   | 108     | 532 13 35-03 | Stiffener, Idler Arm   |
| 7       | 532 14 06-08 | Keeper Belt                     | 113     | 817 49 05-08 | Screw Thdrol 5/16-18 x 1/2   |
| 8       | 532 85 08-57 | Bolt, Hex 3/8-24 x 1.25 Gr. 8   | 122     | 532 17 45-05 | Rod, Brake, LH   |
| 9       | 810 03 06-00 | Washer, Lock Hvy Hlcl 3/8       | 123     | 532 17 45-04 | Rod, Brake, RH   |
| 10      | 532 14 02-96 | Washer,Hardened                 | 146     | 532 16 58-91 | Bolt Carriage Idler  |
| 11      | 532 13 84-96 | Blade, Mower                    | 148     | 532 16 90-22 | Spring Return Idler  |
| 13      | 532 13 76-45 | Shaft Assembly, Mandrel, Vented | 149     | 532 16 58-98 | Retainer Spring Yellow Zinc  |
| 14      | 532 12 87-74 | Housing, Mandrel, Vented        | 150     | 819 09 12-16 | Washer 9/32 x 3/4 x 16 Ga.   |
| 15      | 532 11 04-85 | Bearing, Ball, Mandrel          | 151     | 532 16 96-70 | Bracket Clutch   |
| 16      | 532 17 44-93 | Stripper, Mower Deck            | 152     | 532 17 60-79 | Cable Clutch   |
| 19      | 532 13 28-27 | Bolt, Shoulder                  | 153     | 532 16 96-74 | Washer Flat 3/8" Type B  |
| 21      | 873 68 05-00 | Nut Crownlock 5/16-18           | 154     | 532 16 96-75 | Spring Retainer  |
| 23      | 532 13 66-31 | Bracket, Mower Deflector        | 155     | 532 16 96-71 | Spring Retention Lever   |
| 24      | 532 10 53-04 | Cap, Sleeve                     | 156     | 532 16 96-72 | Spacer   |
| 25      | 532 12 37-13 | Spring, Torsion, Deflector      | 157     | 532 16 96-69 | Rod Clutch   |
| 26      | 532 11 04-52 | Nut, Push                       | 158     | 817 72 04-08 | Screw Hex Thd Cut 1/4-20 x 1/2   |
| 27      | 532 17 61-62 | Shield, Deflector               | 164     | 532 17 49-76 | Bracket Asm Idler Support  |
| 28      | 819 11 10-16 | Washer 11/32 x 5/8 x 16 Ga.     | 168     | 532 17 23-77 | Bracket Deck Cable   |
| 29      | 532 12 19-80 | Rod, Hinge                      | 169     | 532 17 49-77 | Bracket Asm Suspension   |
| 30      | 532 17 39-84 | Screw Thdrol                    | 170     | 532 17 23-59 | Bracket Suspension RF  |
| 31      | 532 12 99-63 | Washer, Spacer                  | 171     | 532 16 52-37 | Brace Support Susp. Frt  |
| 32      | 532 15 35-31 | Pulley, Mandrel                 | 172     | 532 17 23-55 | Bracket Suspension LF  |
| 33      | 532 17 83-42 | Nut, Toplock, Flanged           | --      | 532 13 07-94 | Mandrel Assembly (Includes Housing, Shaft and Shaft Hardware Only - Pulley Not Included) |
| 34      | 872 11 06-14 | Bolt Rdhd 3/8-16 x 1-3/4        | --      | 532 18 13-76 | Replacement Mower,Complete   |
| 36      | 532 13 14-94 | Pulley, Idler, Flat             |         |              |  |
| 40      | 873 68 06-00 | Nut Crownlock 3/8-16            |         |              |  |
| 45      | 532 12 47-88 | Retainer, Spring                |         |              |  |
| 53      | 532 13 08-40 | Brake Assembly                  |         |              |  |
| 54      | 532 17 85-15 | Washer,Hardened                 |         |              |  |
| 55      | 532 13 38-40 | Idler Arm Assembly              |         |              |  |

**NOTE:** All component dimensions given in U.S. inches  
1 inch = 25.4 mm