

REPAIR PARTS MANUAL
MODEL NO. RE18H122 (96011005600)
Lawn Tractor

Rally

HOW TO USE THIS MANUAL

This manual is designed to provide the customer with a means to identify the parts on his/her tractor when ordering repair parts. The illustrations may or may not represent the actual assemblies; therefore, it is not recommended to use this manual as a guide to assemble or disassemble the tractor. Some hardware and parts are drawn larger in order to more readily identify them.

Each tractor has its own model number.

The model number for your tractor can be found on the fender under the seat.

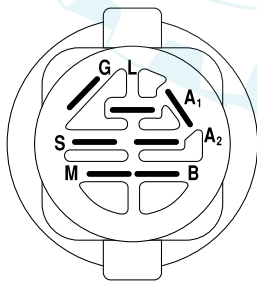
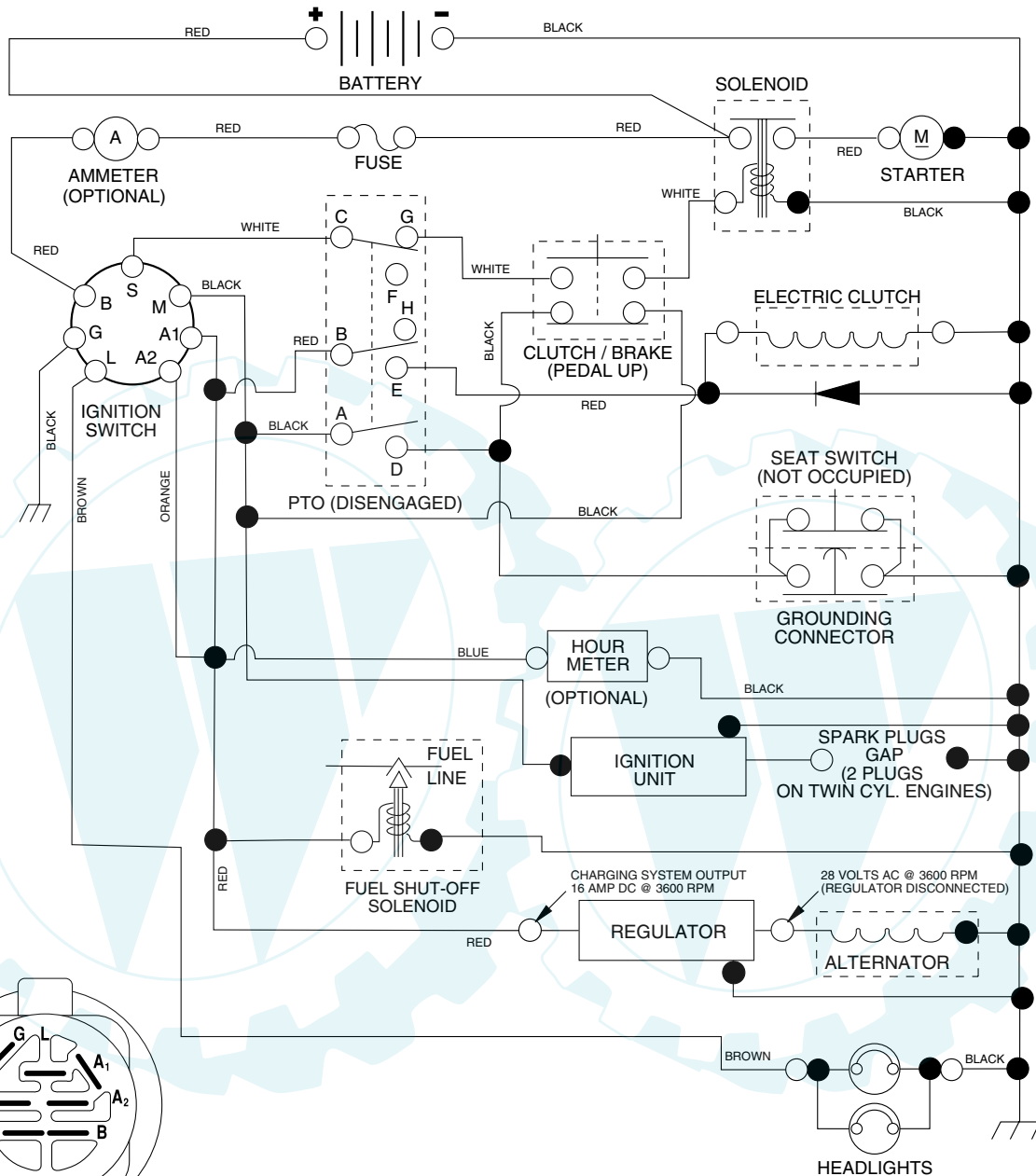
When ordering parts, always give the following information:

- Product - "Tractor"
- Model Number - "RE18H122" (96011005600)
- Part Number
- Part Description

TABLE OF CONTENTS

| | |
|------------------|-------|
| SCHEMATIC | 3 |
| ELECTRICAL..... | 4-5 |
| CHASSIS..... | 6-7 |
| DRIVE..... | 8-9 |
| STEERING | 10-11 |
| SEAT | 12 |
| DECALS..... | 13 |
| ENGINE..... | 14-15 |
| MOWER DECK | 16-17 |
| MOWER LIFT..... | 18-19 |

TRACTOR - MODEL NO. RE18H122 (96011005600), PRODUCT NO. 960 11 00-56
SCHEMATIC



IGNITION SWITCH

| POSITION | CIRCUIT | "MAKE" |
|-------------|------------|--------|
| OFF | M + G + A1 | NONE |
| ON + LIGHTS | B + A1 | L + A2 |
| ON | B + A1 | NONE |
| START | B + S + A1 | NONE |

WIRING INSULATED CLIPS
NOTE: IF WIRING INSULATED CLIPS WERE REMOVED FOR SERVICING OF UNIT, THEY SHOULD BE REPLACED TO PROPERLY SECURE YOUR WIRING.

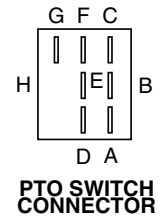
02757

PTO SWITCH

| POSITION | CIRCUIT |
|----------|---------------------|
| OFF | C + G, B + H |
| ON | C + F, B + E, A + D |

○
 REMOVABLE CONNECTIONS

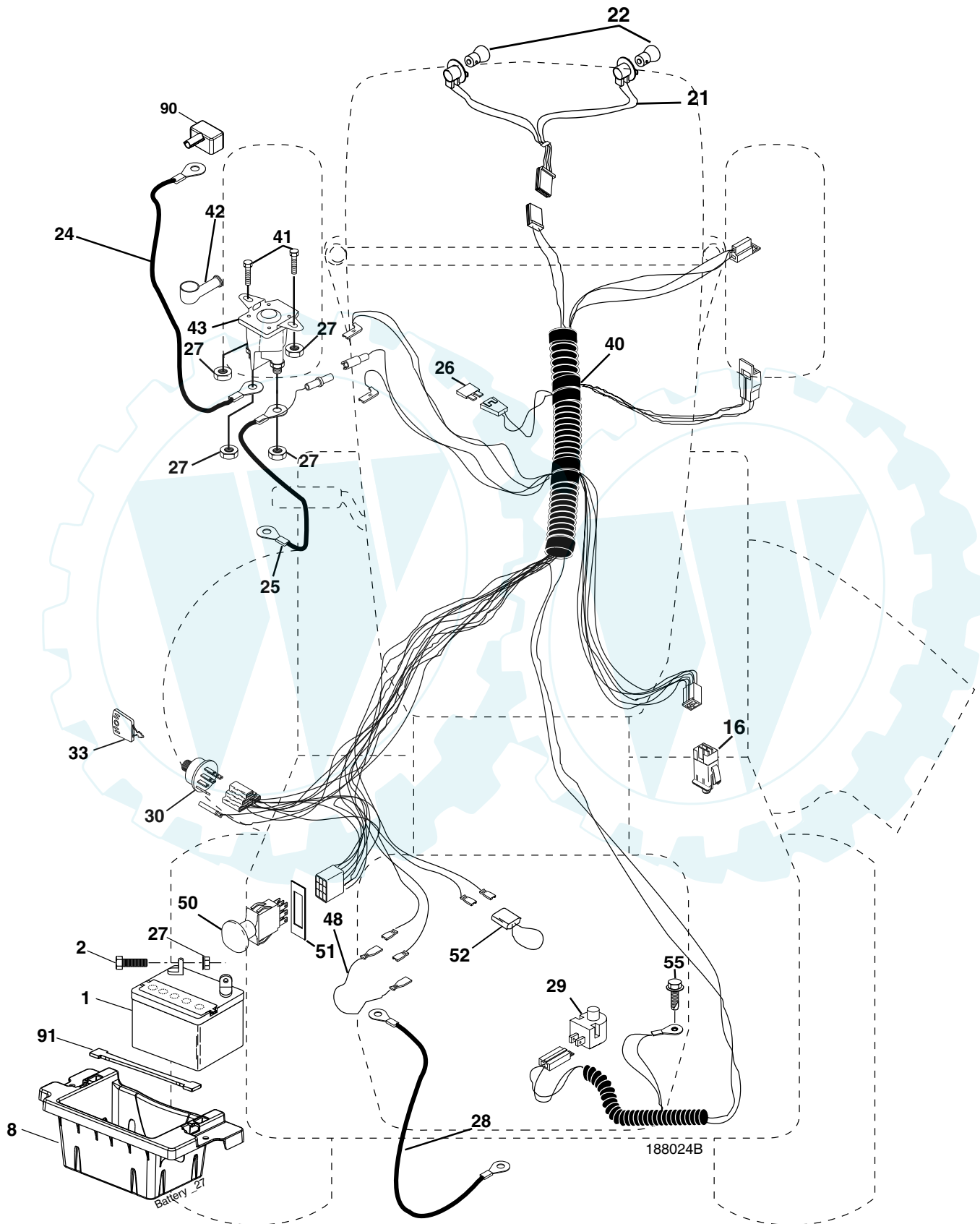
●
 NON-REMOVABLE CONNECTIONS



REPAIR PARTS

www.ersatzteil-service.de

TRACTOR - MODEL NO. RE18H122 (96011005600), PRODUCT NO. 960 11 00-56
ELECTRICAL



REPAIR PARTS

www.ersatzteil-service.de

**TRACTOR - MODEL NO. RE18H122 (96011005600), PRODUCT NO. 960 11 00-56
ELECTRICAL**

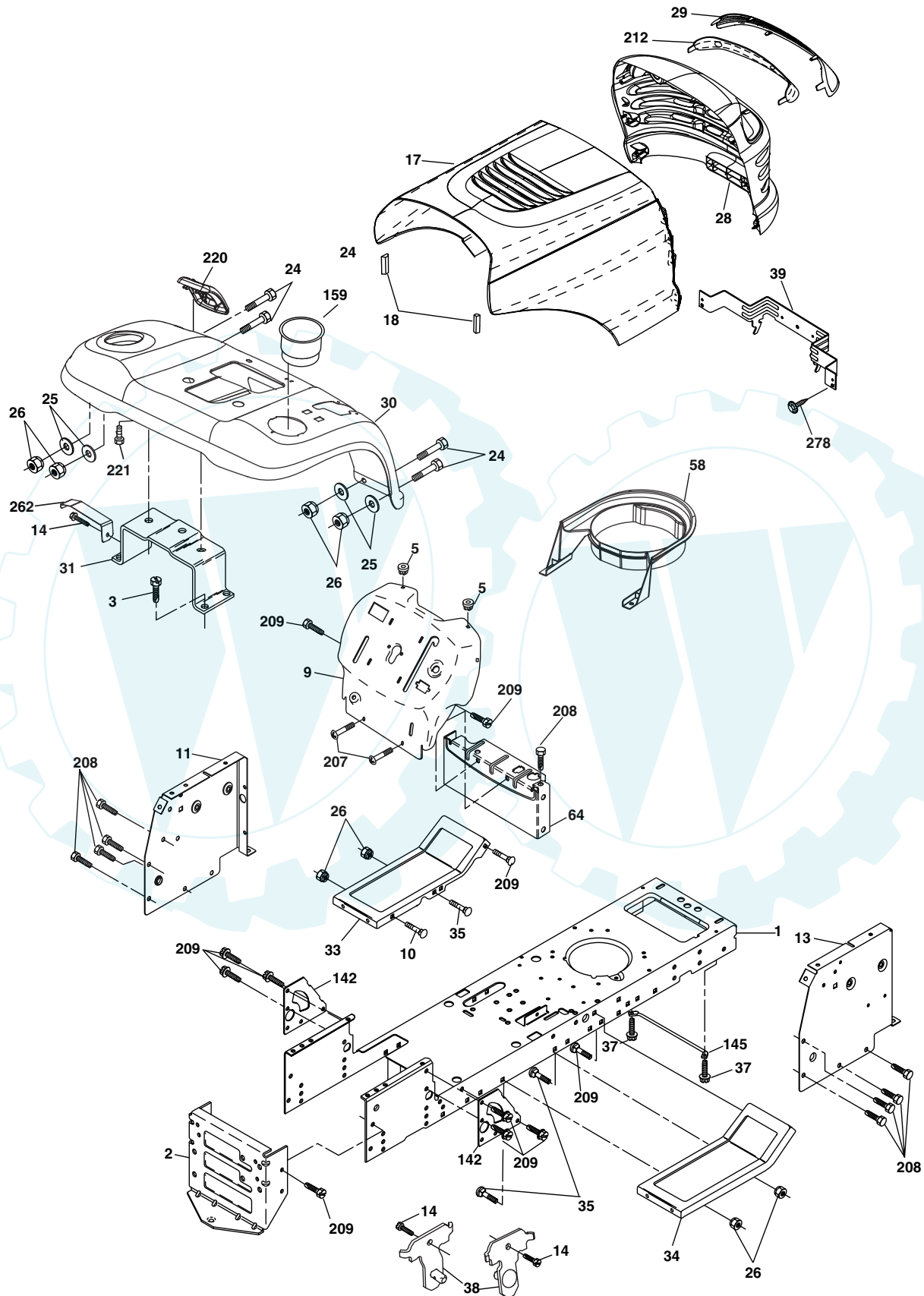
| KEY NO. | PART NO. | DESCRIPTION |
|---------|--------------|-------------------------------|
| 1 | 532 16 34-65 | Battery |
| 2 | 874 76 04-12 | Bolt Hex Hd 1/4-20 Unc x 3/4 |
| 8 | 532 18 64-91 | Box Battery |
| 16 | 532 17 61-38 | Switch Interlock |
| 21 | 532 18 37-59 | Harness Socket Light |
| 22 | 532 00 41-52 | Bulb, Light # 1156 |
| 24 | 532 12 47-80 | Cable Battery |
| 25 | 532 14 61-48 | Cable Battery |
| 26 | 532 17 51-58 | Fuse |
| 27 | 873 51 04-00 | Nut Keps Hex 1/4-20 Unc |
| 28 | 532 14 54-91 | Cable Ground |
| 29 | 532 12 13-05 | Switch Plunger |
| 30 | 532 17 55-66 | Switch Ign |
| 33 | 532 14 04-01 | Key Ign Molded Generic |
| 40 | 532 18 80-24 | Harness Ign |
| 41 | 871 11 04-08 | Bolt Fin Hex 1/4-20 Unc x 1/2 |
| 42 | 532 13 15-63 | Cover Terminal Red |
| 43 | 532 17 88-61 | Solenoid |
| 48 | 532 14 08-44 | Adapter Ammeter |
| 50 | 532 17 46-51 | Switch PTO |
| 51 | 532 14 04-05 | Ring Retainer PTO |
| 52 | 532 14 19-40 | Protection Loop |
| 55 | 817 49 05-08 | Screw Thdrol 5/16-18 x 1/2 |
| 90 | 532 18 04-49 | Cover Terminal Battery |
| 91 | 532 19 02-70 | Strap Battery Mount Front |

NOTE: All component dimensions given in U.S. inches
1 inch = 25.4 mm

REPAIR PARTS

www.ersatzteil-service.de

TRACTOR - MODEL NO. RE18H122 (96011005600), PRODUCT NO. 960 11 00-56
CHASSIS



chassis_elite value_stlt_7

REPAIR PARTS

www.ersatzteil-service.de

**TRACTOR - MODEL NO. RE18H122 (96011005600), PRODUCT NO. 960 11 00-56
CHASSIS**

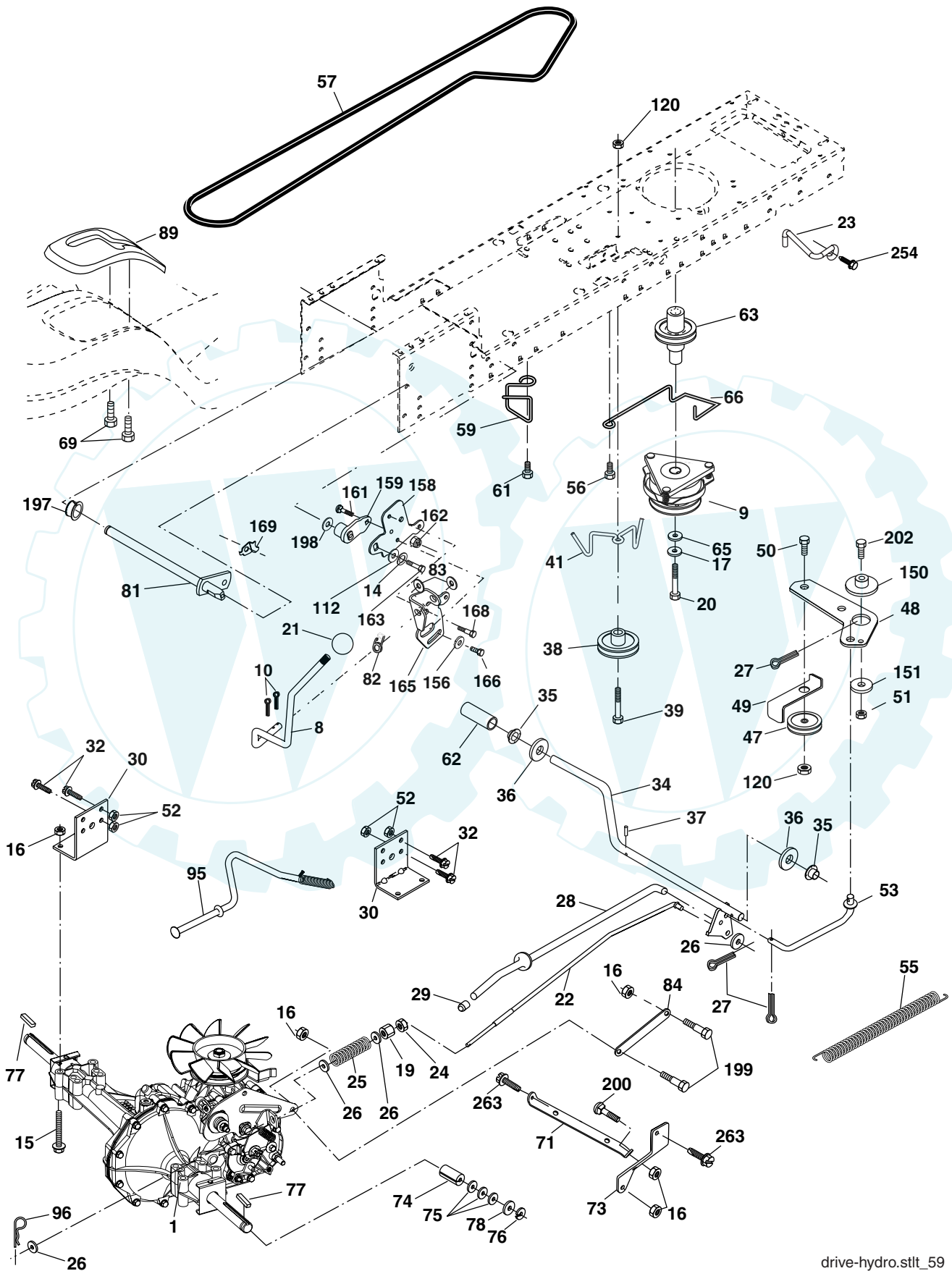
| KEY NO. | PART NO. | DESCRIPTION |
|---------|--------------|-----------------------------------|
| 1 | 532 17 46-19 | Chassis |
| 2 | 532 17 65-54 | Drawbar |
| 3 | 817 06 06-12 | Screw 3/8-16 x .75 |
| 5 | 532 15 52-72 | Bumper Hood/Dash |
| 9 | 532 19 50-27 | Dash |
| 10 | 872 14 06-08 | Bolt Carriage 3/8-16 x 1 |
| 11 | 532 17 49-96 | Panel Dash Lh |
| 13 | 532 18 69-52 | Panel Dash Rh |
| 14 | 817 49 06-08 | Screw Thdrol 3/8-16 x 1/2 |
| 17 | 532 18 67-07 | Hood |
| 18 | 532 18 49-21 | Bumper Hood |
| 24 | 874 78 06-16 | Bolt Fin Hex 3/8-16 x 1 Gr 5 |
| 25 | 819 13 13-12 | Washer 13/32 x 13/16 x 12 Ga |
| 26 | 873 80 06-00 | Nut Lock Hex W/Ins 3/8-16 Unc |
| 28 | 532 18 35-52 | Grille/Lens Asm |
| 29 | 532 18 58-46 | Lens Grille |
| 30 | 532 19 61-15 | Fender |
| 31 | 532 18 35-69 | Bracket Fender |
| 33 | 532 18 11-93 | Footrest Pnt Lh |
| 34 | 532 18 11-94 | Footrest Pnt Rh |
| 35 | 872 11 06-06 | Bolt Rdhd Sht Sqnk 3/8-16 x 3/4 |
| 37 | 817 49 05-08 | Screw Thdrol 6/16-18 x 1/2 TYT |
| 38 | 532 17 57-10 | Bracket Asm Pivot Mower Rear |
| 39 | 532 17 47-14 | Bracket Pivot Laser LT |
| 58 | 532 18 44-62 | Duct Air |
| 64 | 532 15 47-98 | Dash Lower STLT |
| 142 | 532 17 57-02 | Plate Reinforcement STLT |
| 145 | 532 15 65-24 | Rod Pivot Chassis/Hood |
| 159 | 532 19 61-16 | Cupholder |
| 207 | 817 67 05-08 | Screw Thdrol 5/16-18 x 1/2 |
| 208 | 817 67 06-08 | Screw Thdrol 3/8-16 x 1/2 |
| 209 | 817 00 06-12 | Screw Hex Wsh Thdrol 3/8-16 x 3/4 |
| 212 | 532 18 35-50 | Insert Lens Relect |
| 220 | 532 18 28-82 | Console Fuel Window |
| 221 | 532 14 24-32 | Screw Hex Wsh Hi-Lo 1/4-1/2 |
| 262 | 532 18 35-54 | Bracket Support Tank |
| 278 | 532 19 16-11 | Screw 10 x 3/4 Single Lead - Hex |
| -- | 532 19 39-35 | Plug Switch Light |

NOTE: All component dimensions given in U.S. inches
1 inch = 25.4 mm

REPAIR PARTS

www.ersatzteil-service.de

TRACTOR - MODEL NO. RE18H122 (96011005600), PRODUCT NO. 960 11 00-56
DRIVE



drive-hydro.stlt_59

REPAIR PARTS

www.ersatzteil-service.de

**TRACTOR - MODEL NO. RE18H122 (96011005600), PRODUCT NO. 960 11 00-56
DRIVE**

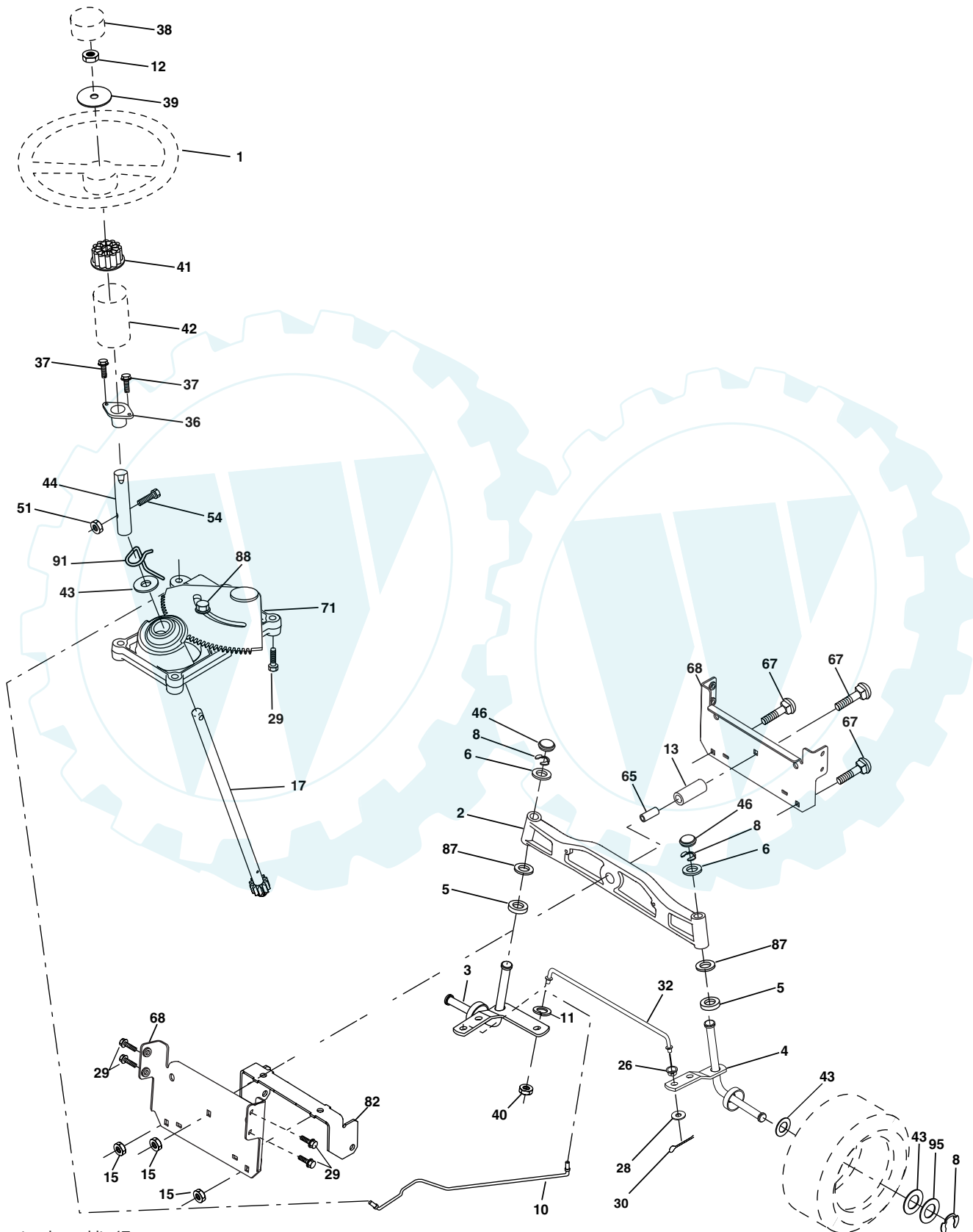
| KEY NO. | PART NO. | DESCRIPTION | KEY NO. | PART NO. | DESCRIPTION |
|---------|--------------|--|---------|--------------|-----------------------------------|
| 1 | ----- | Transaxle, Hydro Gear 314-0510 (Order Parts From Transaxle Manufacturer) | 61 | 817 12 06-14 | Screw 3/8-16 x .875 |
| 8 | 532 16 60-20 | Rod Shift Fender | 62 | 532 12 48-72 | Cover, Pedal |
| 9 | 532 17 93-34 | Clutch Electric | 63 | 532 17 46-07 | Pulley, Engine |
| 10 | 876 02 04-16 | Pin Cotter 1/8 x 1 CAD | 65 | 810 04 07-00 | Washer |
| 14 | 810 04 04-00 | Washer Lock Hvy Helical | 66 | 532 15 47-78 | Keeper Belt Engine Hydro |
| 15 | 874 49 05-44 | Bolt Hex Flghd 5/16-18 Gr. 5 | 69 | 532 14 24-32 | Screw Hex Wsh Hi-Lo 1/4-1/2 |
| 16 | 873 80 05-00 | Nut Lock Hex W/Ins. 5/16-18 unc | 71 | 532 16 91-83 | Strap Torque Lh Hydro |
| 19 | 873 80 06-00 | Nut Lock Hex W/Wsh 3/8-16 unc | 73 | 532 16 91-82 | Strap Torque Rh Hydro |
| 17 | 532 12 61-97 | Washer 1-1/2 OD x 15/32 ID x 250 | 74 | 532 13 70-57 | Spacer, Axle |
| 20 | 532 17 39-37 | Bolt, Hex 7/16-20 x 4 | 75 | 532 12 17-49 | Washer 25/32 x 1-1/4 x 16 Ga. |
| 21 | 532 14 08-45 | Knob | 76 | 812 00 00-01 | E-Ring |
| 22 | 532 16 94-98 | Rod, Brake Hydro | 77 | 532 12 35-83 | Key, Square |
| 23 | 532 19 07-36 | Bracket Asm. Anti-Rot | 78 | 532 12 17-48 | Washer 25/32 x 1-5/8 x 16 Ga. |
| 24 | 873 35 06-00 | Locknut | 81 | 532 16 55-96 | Shaft Asm. Cross Hydro |
| 25 | 532 10 68-88 | Spring, Brake Rod | 82 | 532 16 57-11 | Spring Torsion T/A |
| 26 | 819 13 13-16 | Washer | 83 | 819 17 12-16 | Washer 17/32 x 3/4 x 16 Ga. |
| 27 | 876 02 04-12 | Pin Cotter 1/8 x 3/4 CAD. | 84 | 532 16 95-94 | Link Transaxle |
| 28 | 532 17 57-65 | Rod, Parking Brake | 89 | 532 19 50-90 | Console, Shift |
| 29 | 532 07 16-73 | Cap, Parking Brake | 95 | 532 17 02-01 | Control Asm. Bypass Hydro |
| 30 | 532 16 95-92 | Bracket, Transaxle | 96 | 532 12 47-88 | Retainer Spring 1" Zinc/Cad |
| 32 | 874 76 05-12 | Bolt Hex Hd 5/16-18 Unc x 3/4 | 112 | 819 09 12-10 | Washer 9/32 x 3/4 x 10 Ga. |
| 34 | 532 17 55-78 | Shaft, Foot Pedal Nibbed | 120 | 873 90 06-00 | Nut Lock 3/8-16 |
| 35 | 532 12 01-83 | Bearing, Nylon | 150 | 532 17 54-56 | Spacer Retainer |
| 36 | 819 21 16-16 | Washer | 151 | 819 13 32-10 | Washer 13/32 x 2 x 10 Ga. |
| 37 | 532 12 49-63 | Pin, Roll | 156 | 532 16 60-02 | Washer Srrted 5/16ID x 1.125 |
| 38 | 532 17 91-14 | Pulley, Idler, Flat Composite | 158 | 532 16 55-89 | Bracket Shift Mount |
| 39 | 872 11 06-22 | Bolt RDHD 3/8-16 unc x 2-3/4 Gr.5 | 159 | 532 18 39-00 | Hub Tapered Flange Shift Lt |
| 41 | 532 17 55-56 | Keeper, Belt Idler Fool-Proof | 161 | 872 14 04-06 | Bolt Rdhd Sqnk 1/4-20 x 3/4 Gr. 5 |
| 47 | 532 12 77-83 | Pulley, Idler, V-Groove | 162 | 873 68 04-00 | Nut Crownlock 1/4-20 unc |
| 48 | 532 15 44-07 | Bellcrank Clutch Grnd Drv Stl | 163 | 874 78 04-16 | Bolt Hex Fin 1/4-20 unc x 1 Gr. 5 |
| 49 | 532 12 32-05 | Retainer, Belt | 165 | 532 16 56-23 | Bracket Pivot Lever |
| 50 | 872 11 06-12 | Bolt Carr Sh 3/8-16 x 1-1/2 | 166 | 817 49 05-10 | Screw 5/16-18 x 5/8 |
| 51 | 873 68 06-00 | Nut | 168 | 532 16 54-92 | Bolt Shoulder 5/16-18 x .561 |
| 52 | 873 68 05-00 | Nut Crown Lock 5/16-18 | 169 | 532 16 55-80 | Plate Fastening Lt |
| 53 | 532 10 57-10 | Link, Clutch | 197 | 532 16 96-13 | Nyliner Snap-In 5/8" ID |
| 55 | 532 10 57-09 | Spring, Return, Clutch | 198 | 532 16 95-93 | Washer Nyliner 7/8 ID x .105 |
| 56 | 817 06 06-20 | Screw 3/8-16 x 1-1/4 | 199 | 532 16 96-12 | Bolt Shoulder 5/16-18 unc |
| 57 | 532 14 02-94 | V-Belt, Ground Drive | 200 | 872 14 05-08 | Bolt Rdhd Sq Neck 5/16-18 unc x 1 |
| 59 | 532 16 96-91 | Keeper, Center Span | 202 | 872 11 06-12 | Bolt Carr sh 3/8-16 x 1-1/2 Gr. 5 |
| | | | 254 | 817 00 06-16 | Screw 3/8-16 x 1 |
| | | | 263 | 817 00 06-12 | Screw 3/8-16 x 3/4 |

NOTE: All component dimensions given in U.S. inches
1 inch = 25.4 mm

REPAIR PARTS

www.ersatzteil-service.de

TRACTOR - MODEL NO. RE18H122 (96011005600), PRODUCT NO. 960 11 00-56 STEERING ASSEMBLY



steering_pl.it_47

REPAIR PARTS

www.ersatzteil-service.de

TRACTOR - MODEL NO. RE18H122 (96011005600), PRODUCT NO. 960 11 00-56 STEERING ASSEMBLY



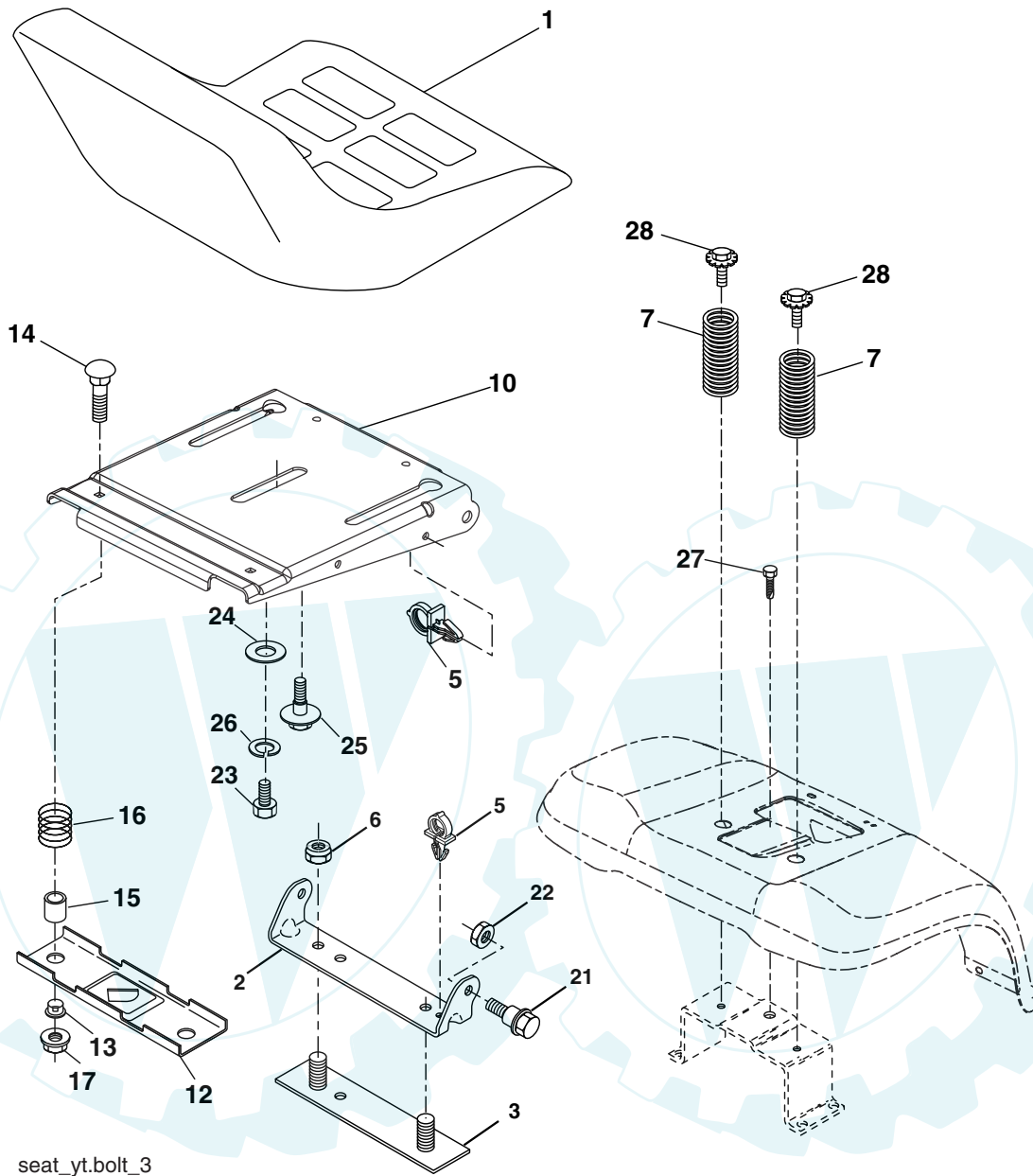
| KEY NO. | PART NO. | DESCRIPTION |
|---------|--------------|-----------------------------------|
| 1 | 532 19 45-95 | Wheel Steering |
| 2 | 532 18 47-06 | Axle Casting Iron Lt |
| 3 | 532 16 98-40 | Spindle Asm LH |
| 4 | 532 16 98-39 | Spindle Asm RH |
| 5 | 532 12 49-31 | Washer Thrust .75 x 1.230 |
| 6 | 532 12 17-48 | Washer 25/32 x 1-5/8 x 16 Ga |
| 8 | 812 00 00-29 | Ring Klip #t5304-75 |
| 10 | 532 17 51-21 | Draglink |
| 11 | 810 04 06-00 | Washer Lock Hvy Hlcl Spr 3/8 |
| 12 | 873 94 08-00 | Nut Hex Jam Toplock 1/2-20 Unf |
| 13 | 532 13 65-18 | Spacer Bearing Axle Front |
| 15 | 532 14 52-12 | Nut Hex Flange Lock |
| 17 | 532 18 06-41 | Shaft Asm Strg |
| 26 | 532 12 68-47 | Bushing |
| 28 | 819 13 14-16 | Washer 13/32 x 7/8 x 16 Ga. |
| 29 | 817 00 06-12 | Screw 3/8-16 x 3/4 |
| 30 | 876 02 04-12 | Pin Cotter 1/8 x 3/4 |
| 32 | 532 19 27-57 | Rod Asm Tie |
| 36 | 532 15 50-99 | Bushing Strg |
| 37 | 532 15 29-27 | Screw TT #32.5 x 5 x 3/8 Flange |
| 38 | 532 19 46-03 | Insert Cap Strg Wh |
| 39 | 819 18 38-12 | Washer 9/16 ID x 2-3/8 OD 12 Ga. |
| 40 | 873 54 06-00 | Nut Crownlock 3/8-24 |
| 41 | 532 18 67-37 | Adaptor Wheel Strg |
| 42 | 532 16 96-33 | Boot Steering |
| 43 | 532 12 17-49 | Washer 25/32 x 1 1/4 x 16 Ga |
| 44 | 532 18 06-40 | Extension Steering |
| 46 | 532 12 12-32 | Cap Spindle Fr Top Blk |
| 51 | 873 54 04-00 | Nut Crownlock 1/4-28 |
| 54 | 871 13 04-20 | Bolt Hex 1/4-28 Unf x 1-1/4 Gr. 8 |
| 65 | 532 16 03-67 | Spacer Axle Brace |
| 67 | 872 11 06-18 | Bolt Rdhd Sqnk 3/8-16 Unc x 2-1/4 |
| 68 | 532 16 98-27 | Brace Axle |
| 71 | 532 17 51-46 | Steering Asm. |
| 82 | 532 16 98-35 | Bracket Susp Chassis Front |
| 87 | 532 17 39-66 | Washer Flat .781 x 1-1/2 x .14 |
| 88 | 532 17 51-18 | Bolt Shoulder 7/16-20 |
| 91 | 532 17 55-53 | Clip Steering |
| 95 | 532 18 89-67 | Washer Harden .739 x 1.63 x 060 |

NOTE: All component dimensions given in U.S. inches
1 inch = 25.4 mm

REPAIR PARTS

www.ersatzteil-service.de

TRACTOR - MODEL NO. RE18H122 (96011005600), PRODUCT NO. 960 11 00-56
SEAT ASSEMBLY



seat_yt.bolt_3

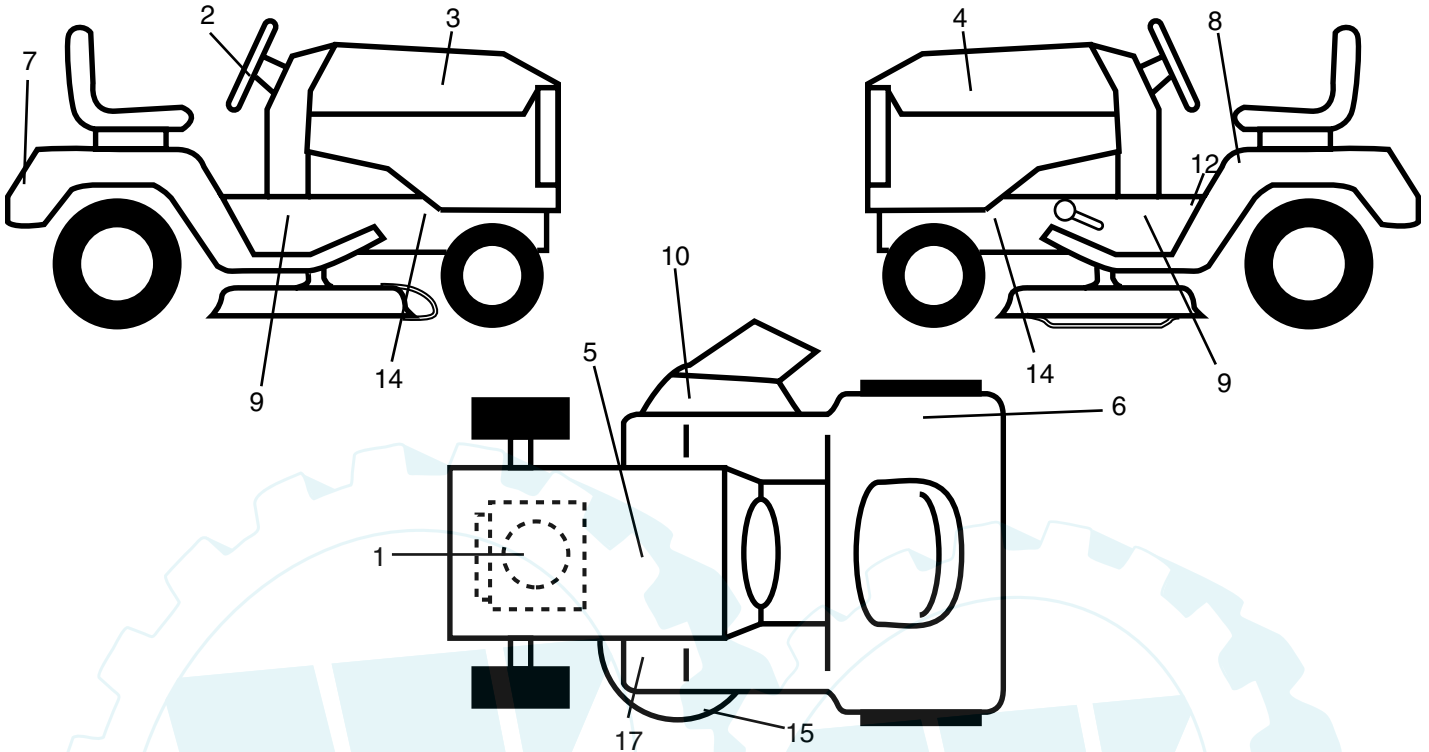
| KEY NO. | PART NO. | DESCRIPTION |
|---------|--------------|---------------------------------|
| 1 | 532 18 87-06 | Seat |
| 2 | 532 18 01-66 | Bracket Pivot Seat |
| 3 | 532 14 06-75 | Strap Asm Fender |
| 5 | 532 14 50-06 | Clip Push-In Hinged |
| 6 | 873 80 06-00 | Nut Lock Hex w/Ins. 3/8-16 unc |
| 7 | 532 12 41-81 | Spring Seat Cprsn 2 250 Blk Zi |
| 10 | 532 18 01-86 | Pan Seat |
| 12 | 532 12 12-46 | Bracket Mounting Switch |
| 13 | 532 12 12-48 | Bushing Snap Blk Nyl 50 Id |
| 14 | 872 05 04-12 | Bolt Rdhd Sht Nk 1/4-20 x 1-1/2 |
| 15 | 532 12 12-49 | Spacer Split 28 x 88 Zinc |
| 16 | 532 12 37-40 | Spring Cprsn Blk Pnt |

| KEY NO. | PART NO. | DESCRIPTION |
|---------|--------------|---------------------------------|
| 17 | 532 12 39-76 | Nut Lock 1/4 Lge Flg Gr. 5 Zinc |
| 21 | 532 17 18-52 | Bolt Shoulder 5/16-18 unc-2A |
| 22 | 873 80 05-00 | Nut Lock Hx W/Ins 5/16-18 unc |
| 23 | 871 11 08-14 | Bolt Hex |
| 24 | 819 17 19-12 | Washer 17/32 x 1-3/16 x 12 Ga. |
| 25 | 532 12 70-18 | Bolt Shoulder 5/16-18 x .62 |
| 26 | 810 04 08-00 | Washer Lock 1/2 |
| 27 | 817 49 06-08 | Screw Thdrol 3/8-16 x 1/2 |
| 28 | 532 17 18-77 | bolt 5/16-18 x 3/4 w/Sems |

NOTE: All component dimensions given in U.S. inches
1 inch = 25.4 mm

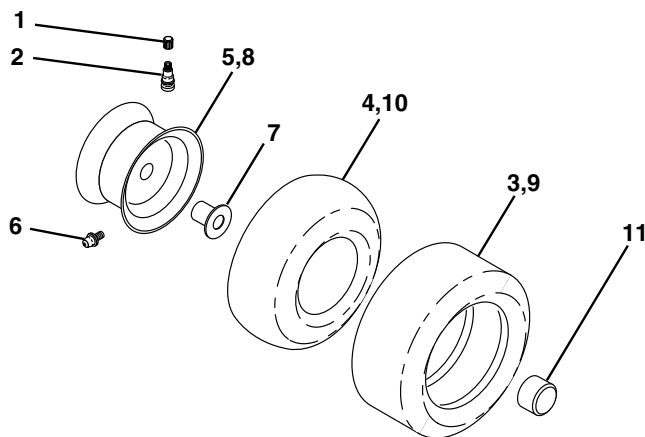
REPAIR PARTS

TRACTOR - MODEL NO. RE18H122 (96011005600), PRODUCT NO. 960 11 00-56
DECALS



| KEY NO. | PART NO. | DESCRIPTION | KEY NO. | PART NO. | DESCRIPTION |
|---------|--------------|------------------------------|---------|--------------|--------------------------------|
| 1 | 532 18 95-25 | Decal Engine | 14 | 532 15 97-36 | Decal Chassis Hot Muffler |
| 2 | 532 18 66-60 | Decal Ins. Strg. Whl. | 15 | 532 17 52-91 | Decal V-Belt |
| 3 | 532 18 76-20 | Decal Hood RH | 17 | 532 15 97-37 | Decal Brake/Clutch Symbol LT |
| 4 | 532 18 76-21 | Decal Hood LH | - | 532 16 25-98 | Decal Drawbar Load Limit |
| 5 | 532 14 50-05 | Decal Btry DNGR/PSN P/L Sym. | - | 532 13 83-11 | Decal Lift Handle(Lift Handle) |
| 6 | 532 18 04-32 | Decal 100 DBA | - | 532 16 69-60 | Decal By Pass Hydro |
| 7 | 532 18 11-46 | Decal Fender | - | 532 18 10-91 | Pad Footrest LH |
| 8 | 532 14 54-98 | Decal Read Owners Manual | - | 532 18 10-90 | Pad Footrest RH |
| 9 | 532 19 10-84 | Decal Chassis 122 Hydro | - | 532 19 53-58 | Manual Operator (Euro) |
| 10 | 532 18 21-66 | Decal Mower Cutfingher | - | 532 19 53-59 | Manual Operator (Scan) |
| 12 | 532 14 08-37 | Decal Saddle Brake Parking | -- | 532 19 56-97 | Manual Parts |

WHEELS AND TIRES



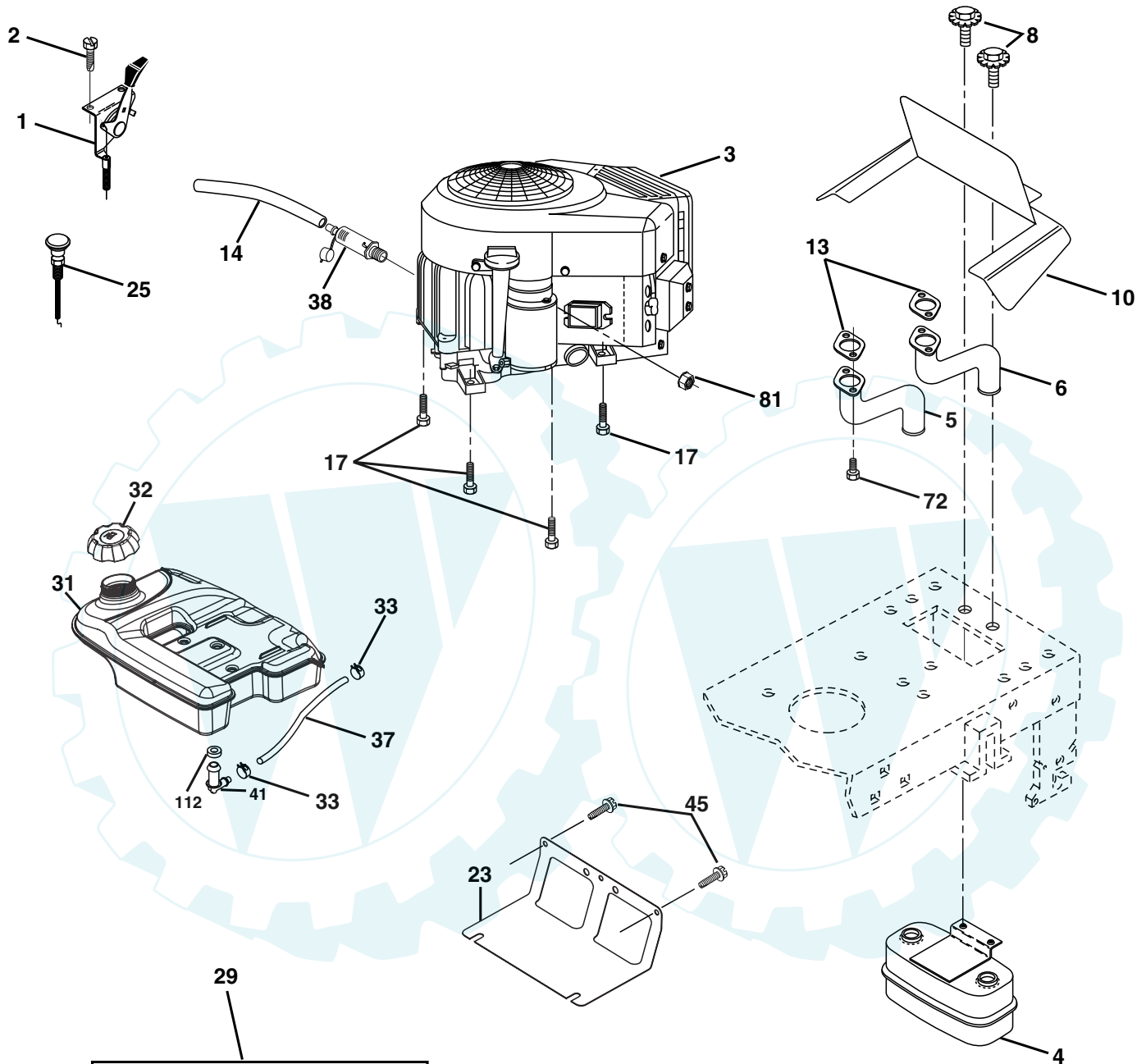
| KEY NO. | PART NO. | DESCRIPTION |
|---------|--------------|-----------------------------------|
| 1 | 532 05 91-92 | Cap Valve Tire |
| 2 | 532 06 51-39 | Stem Valve |
| 3 | 532 10 62-22 | Tire F Tm 15 x 6 0 - 6 Service |
| 4 | 532 05 99-04 | Tube Front (Service Item Only) |
| 5 | 532 18 33-37 | Rim Asm 6" front Service |
| 6 | 532 12 49-57 | Fitting Grease (Front Wheel Only) |
| 7 | 532 12 49-59 | Bearing Flange (Front Wheel Only) |
| 8 | 532 18 33-38 | Rim Asm 8"rear Service |
| 9 | 532 13 84-68 | Tire R. TS 20 x 8-8 C. Service |
| 10 | 532 12 49-26 | Tube Rear (Service Item Only) |
| 11 | 532 17 50-39 | Cap, Hub Axle Blk 1.50 x 1.00 |
| -- | 532 14 43-34 | Tire, Sealant (10 oz. Tube) |

NOTE: All component dimensions given in U.S. inches
1 inch = 25.4 mm

REPAIR PARTS

www.ersatzteil-service.de

TRACTOR - MODEL NO. RE18H122 (96011005600), PRODUCT NO. 960 11 00-56
ENGINE



OPTIONAL EQUIPMENT
Spark Arrester

engine-bs intek-twin_39

REPAIR PARTS

www.ersatzteil-service.de

**TRACTOR - MODEL NO. RE18H122 (96011005600), PRODUCT NO. 960 11 00-56
ENGINE**

| KEY NO. | PART NO. | DESCRIPTION |
|---------|--------------|---|
| 1 | 532 17 07-71 | Control Throt |
| 2 | 817 72 04-08 | Screw Thd Cut 1/4-20 x 1/2 |
| 3 | ----- | Engine Briggs & Stratton Model 406577 Order parts from engine manufacturer |
| 4 | 532 14 97-23 | Muffler Twin Lo-Twin |
| 5 | 532 15 99-55 | Tube, Manifold Lh |
| 6 | 532 16 05-89 | Tube, Manifold Rh |
| 8 | 532 17 18-77 | Bolt 5/16-18 Unc x 3/4 w/Sems |
| 10 | 532 16 27-97 | Shield Browning Intek |
| 13 | 532 16 53-91 | Gasket Muffler |
| 14 | 532 14 84-56 | Tube Drain Oil Easy |
| 17 | 817 06 06-24 | Screw, Thdrol 3/8-16 x 1-1/2 Tytt |
| 23 | 532 16 98-37 | Shield Brn/Dbr Guard |
| 25 | 532 19 17-17 | Choke Control |
| 29 | 532 13 71-80 | Kit Spark Arrestor (Flat Scrn) |
| 31 | 532 17 91-15 | Tank Fuel 5.0 STLT w/o Sensor |
| 32 | 532 18 29-02 | Cap Asm Fuel |
| 33 | 532 12 34-87 | Clamp Hose Blk |
| 37 | 532 14 21-58 | Line Fuel |
| 38 | 532 18 16-54 | Plug Drain Oil Easy |
| 41 | 532 13 92-77 | Stem Tank Fuel |
| 45 | 817 00 06-12 | Screw Hex Wsh Thdrol 3/8-16 |
| 72 | 532 18 39-06 | Screw Socket Head 5/16-18 x 1 |
| 81 | 873 51 04-00 | Nut Keps Hex 1/4-20 Unc |
| 112 | 532 00 36-45 | Bushing |

NOTE: All component dimensions given in U.S. inches
1 inch = 25.4 mm

REPAIR PARTS

www.ersatzteil-service.de

**TRACTOR - MODEL NO. RE18H122 (96011005600), PRODUCT NO. 960 11 00-56
MOWER DECK**

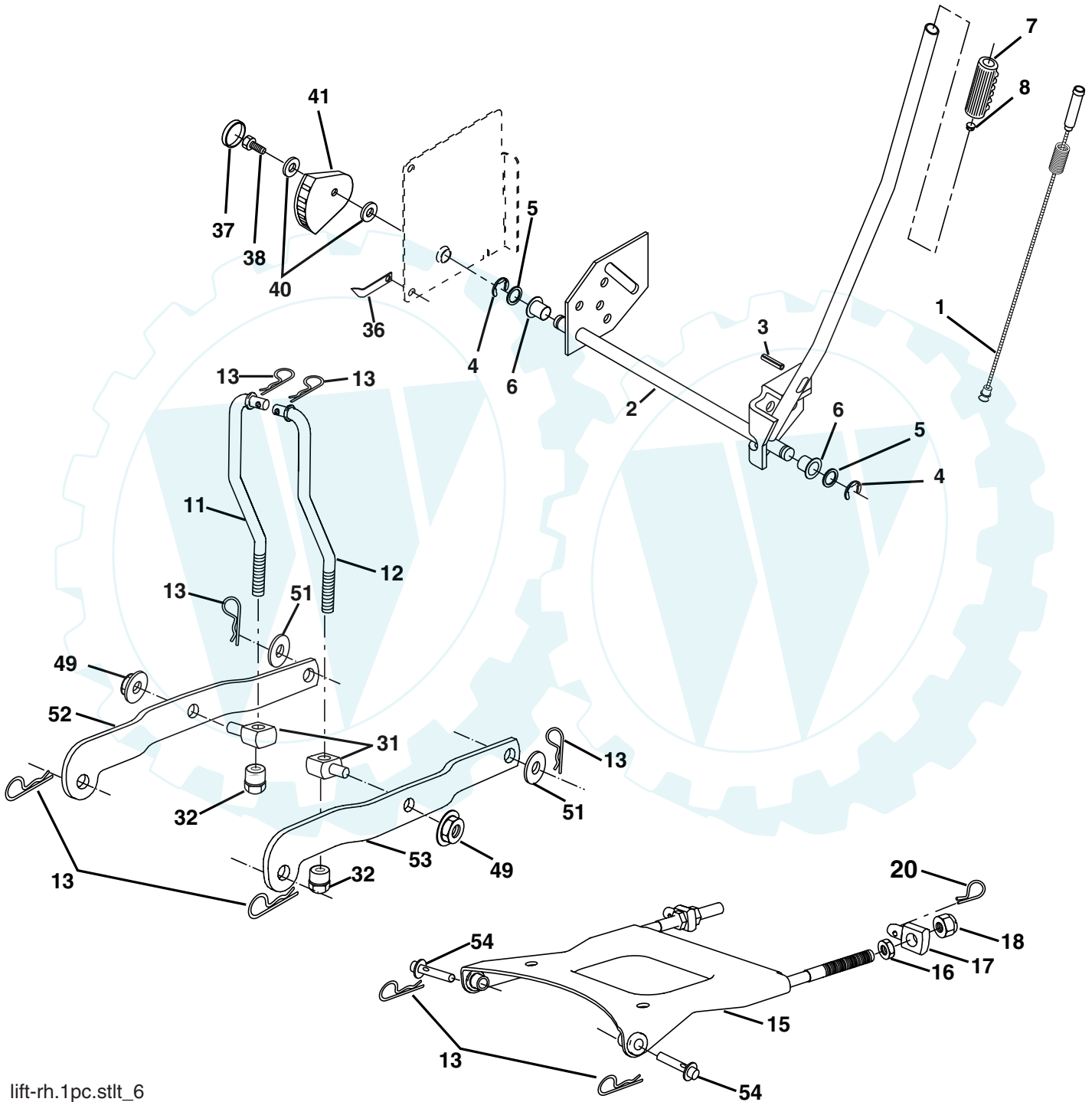
| KEY NO. | PART NO. | DESCRIPTION | KEY NO. | PART NO. | DESCRIPTION |
|---------|--------------|----------------------------------|---------|--------------|---|
| 1 | 532 18 03-59 | Deck Weldment Mower 48 | | | Gr. 5 |
| 3 | 532 13 80-17 | Bracket Asm., Sway Bar | 52 | 532 17 58-20 | Pulley Idler Flat 46 Pri. Drive |
| 5 | 532 12 46-70 | Retainer Spring | 56 | 532 15 59-86 | Bar Pnt Adjusting Wheel Gauge |
| 6 | 532 17 80-24 | Bar Sway Deck | 57 | 532 15 69-41 | Pin Head Rivet |
| 8 | 532 17 43-65 | Bolt, 7/16 Asm. Blade | 90 | 874 76 05-16 | Bolt, Fin, Hex 5/16-18 x 1.0 |
| 11 | 532 18 00-54 | Blade | 91 | 532 18 05-35 | Bracket, Asm Noseroller, RH 48 |
| 13 | 532 17 51-47 | Shaft Asm. | 94 | 532 17 60-66 | Roller, Nose 48" |
| 14 | 532 17 43-58 | Housing Mandrel 48" | 95 | 532 18 05-34 | Bracket, Asm Noseroller LH 48 |
| 15 | 532 11 04-85 | Bearing, Ball, Mandrel | 97 | 532 17 85-15 | Washer Hardened |
| 16 | 532 17 44-93 | Stripper, Mower | 98 | 532 17 94-79 | Spring Primary Drive |
| 17 | 872 11 06-10 | Bolt Rdhd Sq Neck 3/8-16 x 1.25 | 99 | 532 18 99-93 | Pulley Idler "V" |
| 18 | 872 14 05-05 | Bolt, Carriage 5/16-18 x 5/8 | 100 | 872 11 06-16 | Bolt RDHD Sqnc 3/8-16 unc x 2 |
| 19 | 532 13 28-27 | Bolt, Hex Head, Shoulder 5/16-18 | 110 | 532 17 50-16 | Arm Spring Secondary |
| 20 | 532 17 43-78 | Baffle, Vortex Mower | 111 | 532 17 46-10 | Arm Spring Fixed Tension 48" |
| 21 | 873 68 05-00 | Nut, Crownlock 5/16-18 unc | 113 | 872 11 05-06 | Bolt Rdhd Sqnc 5/16-18 x 3/4 |
| 24 | 532 10 53-04 | Cap, Sleeve | 116 | 532 19 34-06 | Bolt, Shoulder |
| 25 | 532 17 81-02 | Spring, Torsion | 117 | 532 17 48-73 | Gauge Wheel |
| 26 | 532 11 04-52 | Nut, Push | 118 | 873 93 06-00 | Nut, Centerlock 3/8-16 unc |
| 27 | 532 18 17-07 | Shield, Deflector Mower | 119 | 819 12 14-14 | Washer 3/8 x 7/8 x 14 Ga. |
| 28 | 819 11 10-16 | Washer 11/32 x 5/8 x 16 Ga. | 121 | 532 17 43-71 | Spring Secondary Drive |
| 29 | 532 13 14-91 | Rod, Hinge | 126 | 532 17 43-72 | Arm, Idler, Primary Deck |
| 30 | 532 17 39-84 | Screw, Thdroll, Washer Head | 130 | 817 00 06-16 | Screw 3/8-16 x 1.0 |
| 31 | 532 18 76-90 | Washer, Spacer | 131 | 819 13 16-06 | Washer 13/32 x 1 x 6 Ga. |
| 32 | 532 15 35-35 | Pulley, Mandrel | 180 | 873 80 05-00 | Nut Lock 5/16-18 |
| 33 | 532 17 83-42 | Nut, Flg. Top Lock Cntr. 9/16 | 182 | 532 17 91-27 | Rod Roller Nose |
| 37 | 532 17 79-68 | Pulley, Idler, Flat | 183 | 532 16 35-52 | Retainer Spring |
| 39 | 532 17 43-75 | Pulley, Idler, Driven | 184 | 532 17 39-79 | Keeper Belt Idler |
| 42 | 532 16 57-23 | Spacer, Retainer | -- | 532 17 43-57 | Mandrel Assembly (Includes Housing, Shaft and Shaft Hardware Only-Pulley Not Included) |
| 43 | 532 17 43-73 | Arm, Idler Secondary | -- | 532 18 17-04 | Replacement Mower, Complete (Std deck-order separately nose roller components key nos. 90, 91, 94, 95, 180, 182, 183) |
| 45 | 532 18 08-06 | Cover, Mandrel Deck | | | |
| 46 | 532 13 77-29 | Screw, Thdroll. 1/4-20 x 5/8 | | | |
| 47 | 532 18 08-08 | V-Belt, Mower, Secondary | | | |
| 48 | 532 17 43-68 | V-Belt, Mower, Primary | | | |
| 49 | 873 90 06-00 | Nut 3/8-16 unc | | | |
| 50 | 872 11 06-12 | Bolt, Carriage 3/8-16 x 1-1/2 | | | |

NOTE: All component dimensions given in U.S. inches
1 inch = 25.4 mm

REPAIR PARTS

www.ersatzteil-service.de

TRACTOR - MODEL NO. RE18H122 (96011005600), PRODUCT NO. 960 11 00-56
MOWER LIFT



lift-rh.1pc.stlt_6

REPAIR PARTS

www.ersatzteil-service.de

**TRACTOR - MODEL NO. RE18H122 (96011005600), PRODUCT NO. 960 11 00-56
MOWER LIFT**

| KEY NO. | PART NO. | DESCRIPTION |
|---------|--------------|------------------------------------|
| 1 | 532 15 94-61 | Wire Asm Inner/Spring W/Plunger LT |
| 2 | 532 15 94-76 | Shaft Asm Lift RH w/Inf |
| 3 | 532 18 88-22 | Pin Groove 1 500 Zinc |
| 4 | 812 00 00-02 | E Ring #5133-62 |
| 5 | 819 21 16-21 | Washer 21/32 x 1 x 21 Ga |
| 6 | 532 12 01-83 | Bearing Nylon Blk 629 Id |
| 7 | 532 12 56-31 | Grip Handle Fluted Blk |
| 8 | 532 12 45-26 | Button Plunger |
| 11 | 532 17 53-70 | Link Lift LH |
| 12 | 532 17 53-71 | Link Lift RH |
| 13 | 532 12 46-70 | Retainer Spring |
| 15 | 532 17 55-62 | Plate Asm Susp Front |
| 16 | 873 35 08-00 | Nut Jam Hex 1/2-13 Unc |
| 17 | 532 17 56-89 | Trunnion |
| 18 | 873 80 08-00 | Nut Lock w/Wsh 1/2-13unc |
| 20 | 532 16 35-52 | Retainer Spring |
| 31 | 532 17 62-05 | Trunnion |
| 32 | 532 17 59-94 | Nut Lift Link 7/16-20 |
| 36 | 532 15 50-97 | Indicator Height STLT |
| 37 | 532 12 39-35 | Plug Hole Blk 1.485/1.515 Dia. |
| 38 | 817 06 05-16 | Screw 5/16-18 x 1 |
| 40 | 819 11 24-10 | Washer 11/32 x 1-1/2 10 Ga. |
| 41 | 532 15 50-98 | Scale Ind. Height Blk. |
| 49 | 532 14 52-12 | Nut Hex Flange Lock |
| 51 | 819 17 14-16 | Washer 17/32 x 7/8 x 16 Ga. |
| 52 | 532 17 53-78 | Arm Susp. Rear Lh |
| 53 | 532 17 58-02 | Arm Susp. Rear Rh |
| 54 | 532 17 55-60 | Pin Flange |

NOTE: All component dimensions given in U.S. inches
1 inch = 25.4 mm