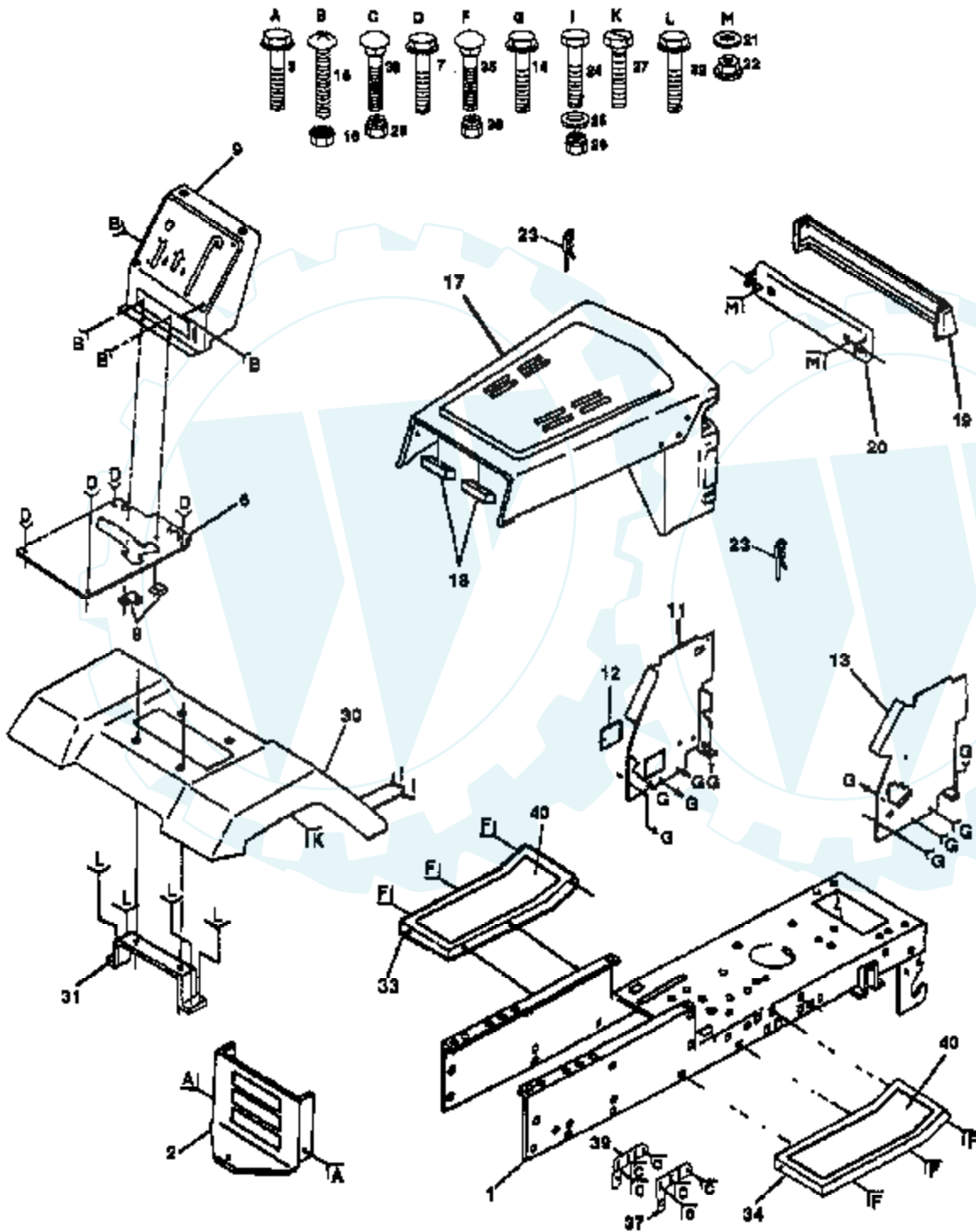


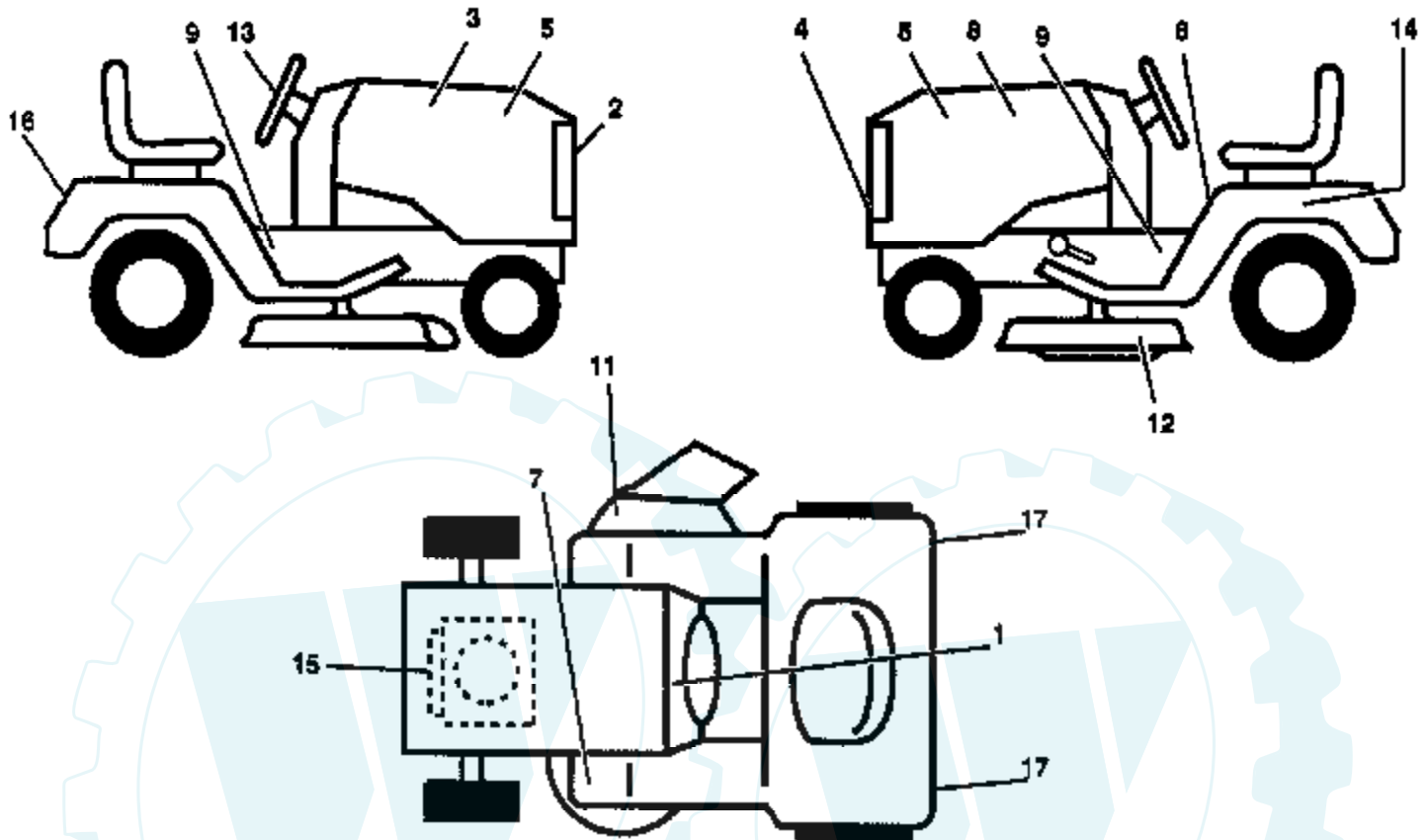
14 HP 42" RIDING LAWN TRACTOR - - MODEL NUMBER RE1442A CHASSIS AND ENCLOSURES



| Ref # | Part Number | Qty | Description |
|-------|-------------|-----|-----------------|
| 1 | 135034 | | SUB= 145501 |
| 2 | 130805 | | SUB= 145009 |
| 3 | 17490612 | | SCREW |
| 6 | 130800X017 | | SADDLE |
| 7 | 17490608 | | SCREW LT |
| 8 | 2751R | | CLIP T |
| 9 | 123042X013 | | DASH |
| 10 | 5479J | | PLUG BUTTON T |
| 11 | 122795X | | PANEL DASH LH |
| 12 | 121794X | | COVER ACCESS |
| 13 | 124031X | | SUB= 155934X010 |
| 14 | 17490608 | | SCREW LT |
| 15 | 74180512 | | SCREW |
| 16 | 73510500 | | NUT |
| 17 | 133956X419 | | HOOD/GRILL ASM |
| 18 | 126938X | | SUB= 532126938 |
| 19 | 133805 | | SUB= 133954 |
| 20 | 132257 | | SUB= 918132257 |
| 21 | 19091216 | | WASHER PM |
| 22 | 108067X | | PAL NUT LT |
| 23 | 4921H | | SPRING.RETAINER |
| 24 | 74760612 | | SUB= 74780612 |
| 25 | 19131312 | | WASHER |
| 26 | 73680600 | | SUB= 73690600 |
| 27 | 17490608 | | SCREW LT |
| 30 | 109872X419 | | FENDER |
| 31 | 109873X | | SUB= 136619 |
| 32 | 17490612 | | SCREW |
| 33 | 105476X419 | | FOOTREST LH |
| 34 | 105475X419 | | FOOTREST |
| 35 | 72110606 | | BOLT |
| 36 | 73680600 | | SUB= 73690600 |
| 37 | 134775 | | PIVOT BRKT RH |
| 38 | 72140606 | | BOLT |
| 39 | 134774 | | PIVOT BRKT LH |
| 40 | 131864 | | "PAD,FOOTREST" |

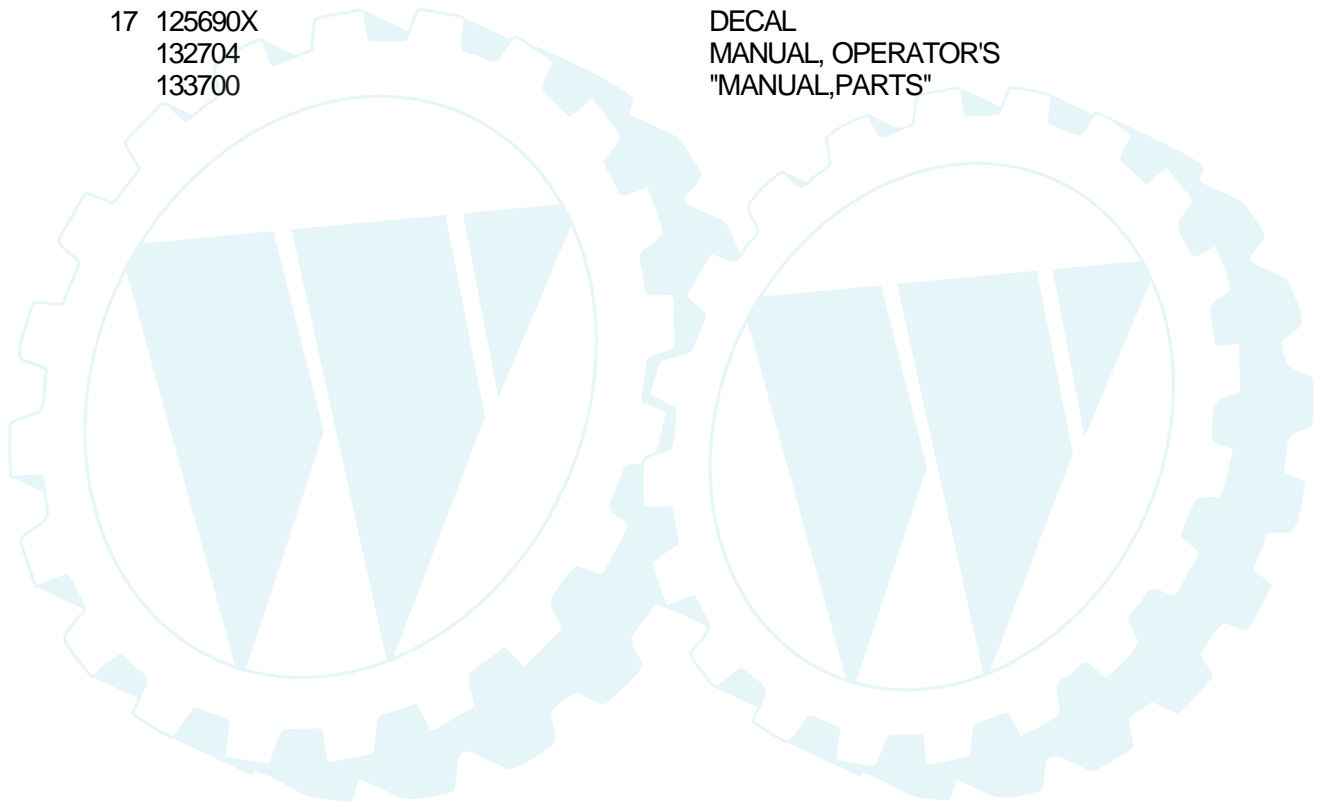
14 HP 42" RIDING LAWN TRACTOR - - MODEL NUMBER RE1442A

DECALS



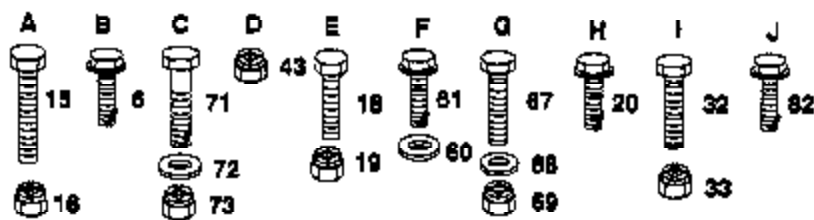
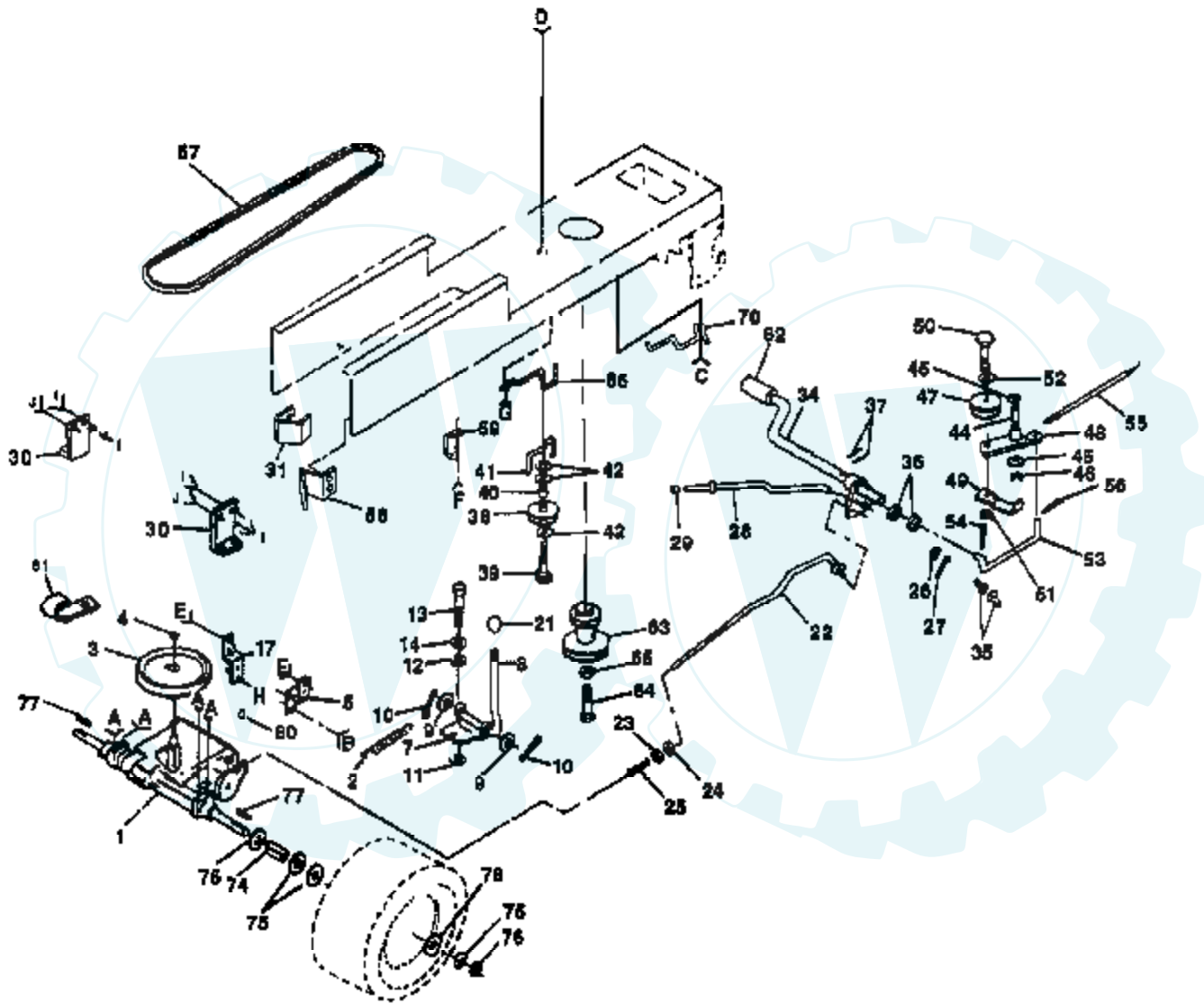
NOTE: All component dimensions given in U.S. inches - 1
inch = 25.4 mm.

| Ref # | Part Number | Qty | Description |
|-------|-------------|-----|--------------------|
| 1 | 109821X | | SUB= 138956 |
| 2 | 132627 | | GRILL DECAL |
| 3 | 130442 | | NLA |
| 4 | 129823 | | NLA |
| 5 | 127033 | | "DECAL,HOOD" |
| 6 | 133795 | | DECAL CAUTION |
| 7 | 101892X | | DECAL T |
| 8 | 130443 | | NLA |
| 9 | 131425 | | CHASSIS DECAL |
| 11 | 121349X | | DECAL WARNING |
| 12 | 109820X | | DECAL YT |
| 13 | 127075 | | "DECAL,STR WHL" |
| 14 | 121549X | | DECAL |
| 16 | 132628 | | FENDER DECAL |
| 17 | 125690X | | DECAL |
| | 132704 | | MANUAL, OPERATOR'S |
| | 133700 | | "MANUAL,PARTS" |



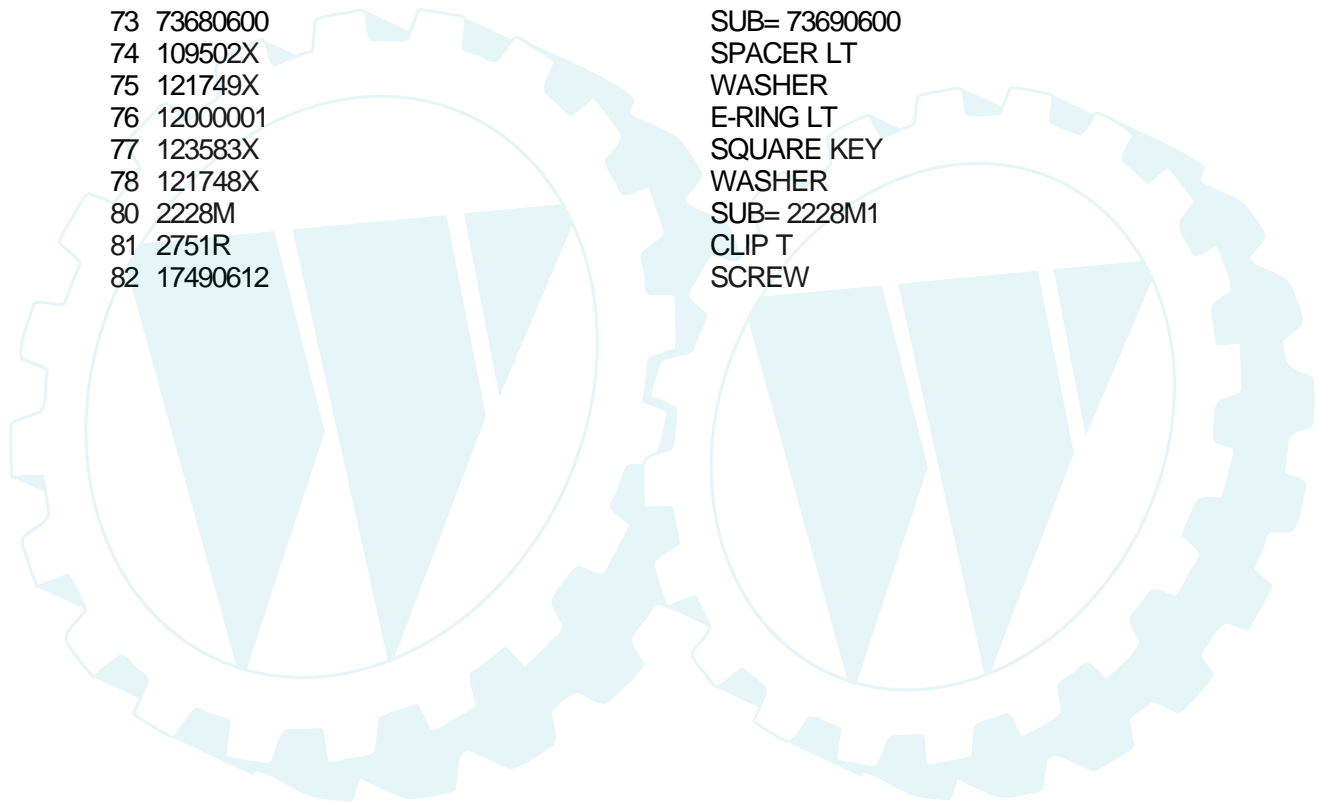
14 HP 42" RIDING LAWN TRACTOR - - MODEL NUMBER RE1442A

DRIVE



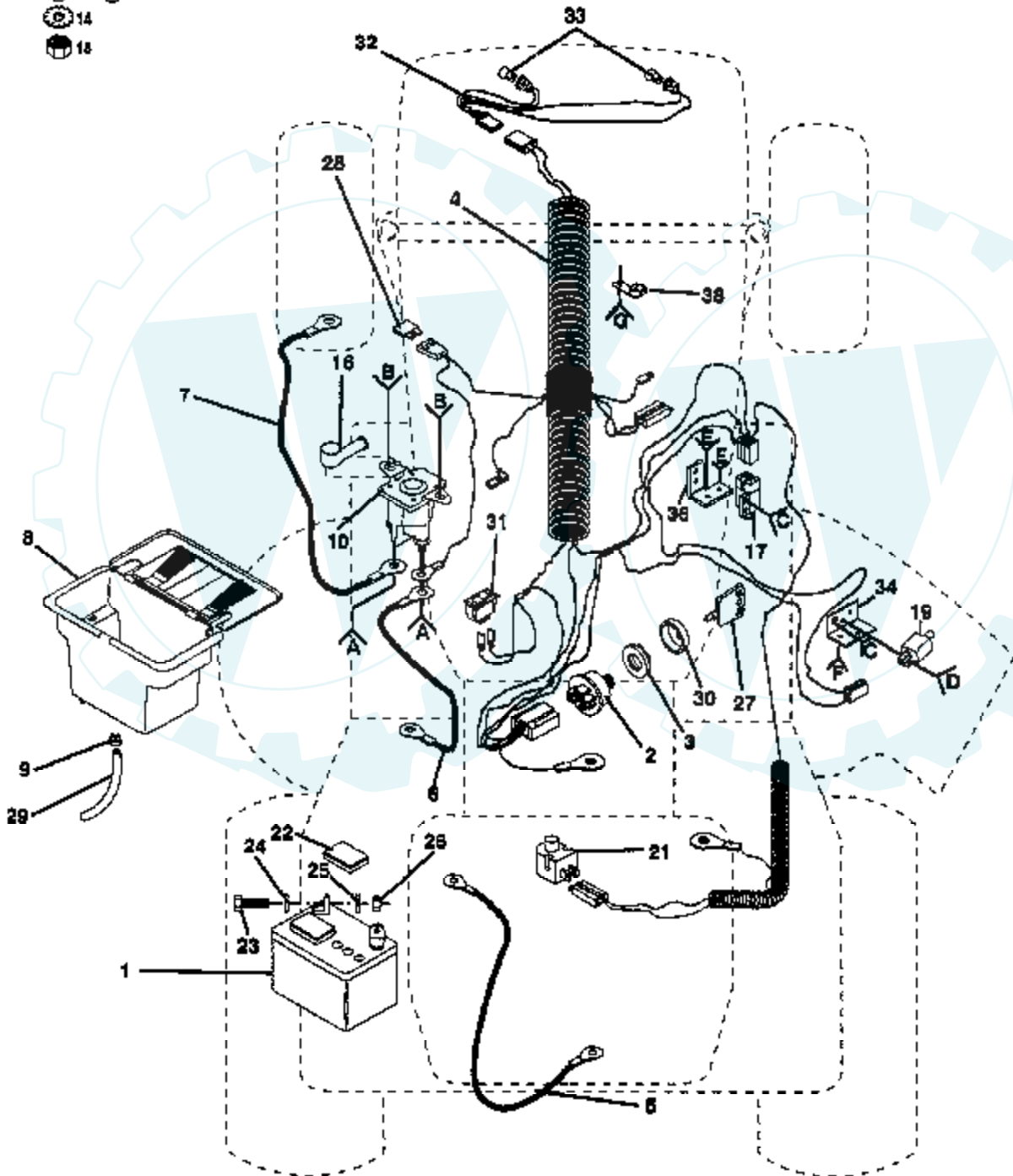
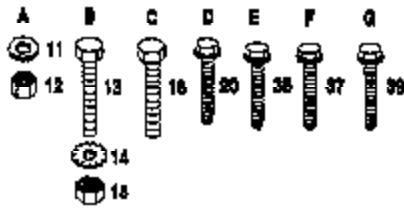
| Ref # | Part Number | Qty | Description |
|-------|-------------|-----|---------------------|
| 1 | 120898X | | SUB= 137367 |
| 2 | 110422X | | SUB= 146682 |
| 3 | 123666X | | PULLEY TRANS |
| 4 | 12000028 | | SUB= 2267J |
| 5 | 121520X | | STRAP TORQUE |
| 6 | 17490512 | | SCREW |
| 7 | 130802 | | SUB= 162240 |
| 8 | 131679 | | SHIFT ROD |
| 9 | 19151216 | | WASHER |
| 10 | 76020416 | | PIN COTTER 1/8 |
| 11 | 105701X | | WASH-SHFT PLT LT |
| 12 | 19091210 | | WASHER LT |
| 13 | 71040412 | | SUB= 74550412 |
| 14 | 10040400 | | LOCKWASHER |
| 15 | 74760540 | | BOLT |
| 16 | 73680500 | | SUB= 73690500 |
| 17 | 121520X | | STRAP TORQUE |
| 18 | 74760612 | | SUB= 74780612 |
| 19 | 73680600 | | SUB= 73690600 |
| 20 | 17490512 | | SCREW |
| 21 | 106279X | | CONTROL KNOB LT |
| 22 | 130804 | | BRAKE ROD |
| 23 | 73800600 | | NUT |
| 24 | 73350600 | | NUT |
| 25 | 106888X | | SPRING ROD LT |
| 26 | 19131316 | | WASHER |
| 27 | 76020412 | | COTTER PIN |
| 28 | 128904 | | PARKING BRAKE ROD |
| 29 | 7733J | | SUB= 71673 |
| 30 | 130807 | | TRANSAXLE MTG BKT |
| 31 | 127275X | | "KEEPER,BELT LH T" |
| 32 | 74760512 | | BOLT |
| 33 | 73680500 | | SUB= 73690500 |
| 34 | 122424X | | SUB= 149001 |
| 35 | 120183X | | NYLON BEARING |
| 36 | 19211616 | | WASHER LT |
| 37 | 1572H | | SUB= 2882J |
| 38 | 123674X | | PULLEY.IDLER.FLAT |
| 39 | 74760644 | | BOLT |
| 40 | 4470J | | SPACER T |
| 41 | 109070X | | BELT KEEPER LT |
| 42 | 19131312 | | WASHER |
| 43 | 73680600 | | SUB= 73690600 |
| 44 | 105706X | | "LY, BEARING" |
| 45 | 110812X | | WASHER LT |
| 46 | 12000039 | | KLIP RING |
| 47 | 127783 | | SUB= 139245 |
| 48 | 123789X | | ARM IDLER |
| 49 | 123205X | | RETAIN BELT |
| 50 | 74760624 | | SUB= 74930624 |
| 51 | 73680600 | | SUB= 73690600 |
| 52 | 19131316 | | WASHER |
| 53 | 105710X | | "LINK, CLUTCH T" |
| 54 | 76020412 | | COTTER PIN |
| 55 | 105709X | | "SPRING, RETURN LT" |
| 56 | 76020412 | | COTTER PIN |
| 57 | 130801 | | SUB= 138255 |
| 58 | 127274X | | "KEEPER,BELT RH T" |

| Ref # | Part Number | Qty | Description |
|-------|-------------|-----|-------------------|
| 59 | 104777X | | SUB= 140312 |
| 60 | 19131312 | | WASHER |
| 61 | 17490612 | | SCREW |
| 62 | 8883R | | PEDAL COVER T |
| 63 | 134825 | | SUB= 136004 |
| 64 | 71170764 | | BOLT |
| 65 | 10040700 | | LOCKWASHER |
| 66 | 129921 | | KEEPER.BELT.ENG.L |
| 67 | 74760616 | | BOLT |
| 68 | 19131312 | | WASHER |
| 69 | 73680600 | | SUB= 73690600 |
| 70 | 134683 | | KEEPER BELT ENG |
| 71 | 74760616 | | BOLT |
| 72 | 19132012 | | WASHER |
| 73 | 73680600 | | SUB= 73690600 |
| 74 | 109502X | | SPACER LT |
| 75 | 121749X | | WASHER |
| 76 | 12000001 | | E-RING LT |
| 77 | 123583X | | SQUARE KEY |
| 78 | 121748X | | WASHER |
| 80 | 2228M | | SUB= 2228M1 |
| 81 | 2751R | | CLIP T |
| 82 | 17490612 | | SCREW |



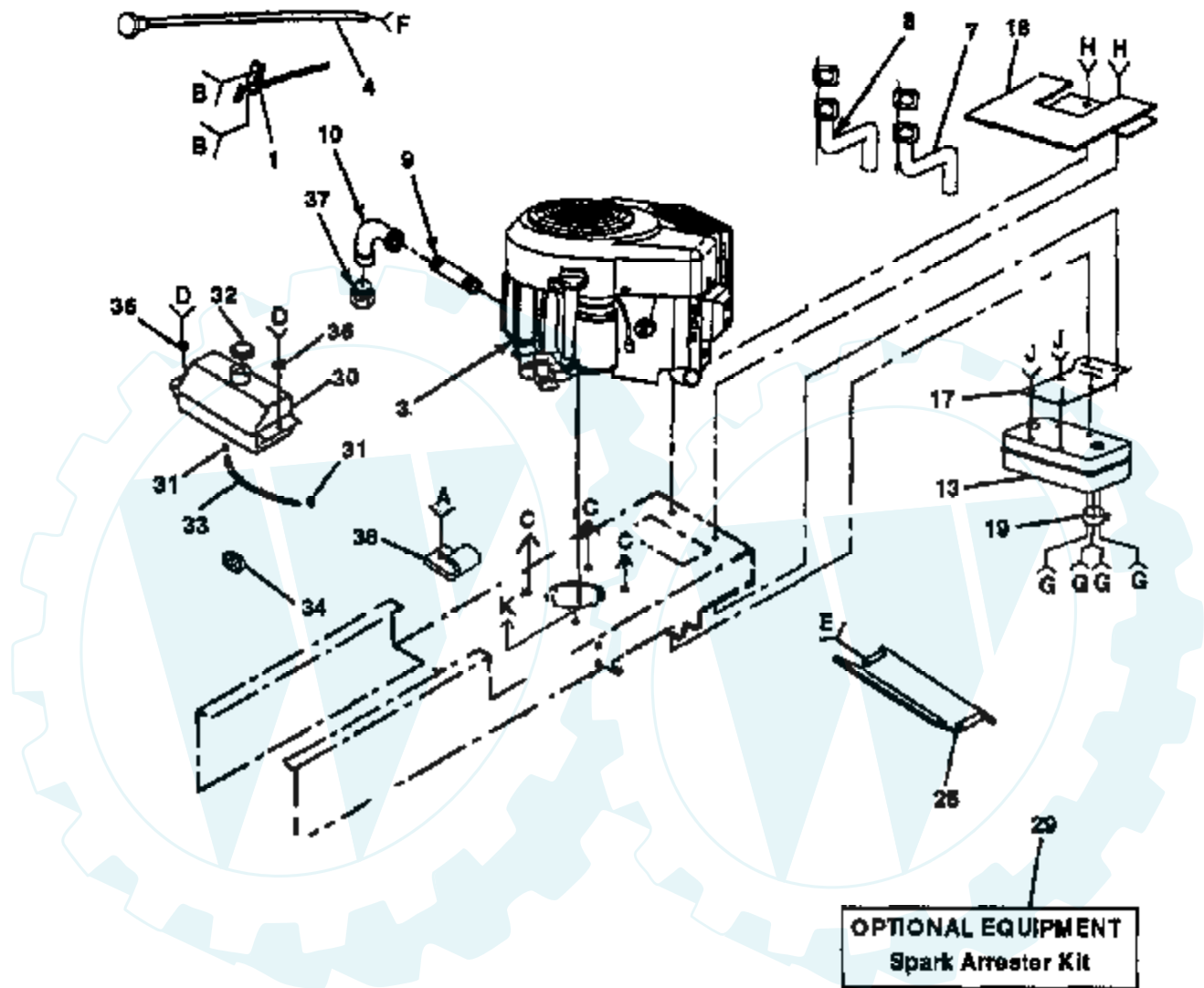
14 HP 42" RIDING LAWN TRACTOR - - MODEL NUMBER RE1442A

ELECTRICAL



| Ref # | Part Number | Qty | Description |
|-------|-------------|-----|------------------------|
| 1 | 121265X | | SUB= 123899X |
| 2 | 4406R | | SUB= STD365402 |
| 3 | 124211X | | NUT IGNITION |
| 4 | 132017 | | IGN HARNESS |
| 5 | 4207J | | CABLE T |
| 6 | 132202 | | SUB= 146147 |
| 7 | 4799J | | "CABLE T, BATTERY" |
| 8 | 129965 | | SUB= 156417 |
| 9 | 109596X | | HOSE CLAMP T |
| 10 | 109081X | | SUB= 146154 |
| 11 | 10090400 | | SUB= 10040400 |
| 12 | 73350400 | | NUT |
| 13 | 74780408 | | BOLT |
| 14 | 11050400 | | LOCKWASHER |
| 15 | 73510400 | | NUT |
| 16 | 131563 | | SUB= 154336 |
| 17 | 109553X | | SWITCH INTERLOCKT |
| 18 | 17021008 | | SCREW |
| 19 | 104445X | | SWITCH-INTER. GT |
| 20 | 17021008 | | SCREW |
| 21 | 121305X | | SWITCH SEAT |
| 22 | 121264X | | "CAP,BATTERY " |
| 23 | 74760412 | | BOLT LT |
| 24 | 19091016 | | WASHER |
| 25 | 10040400 | | LOCKWASHER |
| 26 | 73220400 | | SUB= 50675 |
| 27 | 122147X | | KEY |
| 28 | 108824X | | FUSE HYT |
| 29 | 105687X | | SUB= 109238X |
| 30 | 123620X | | SUB= 141226 |
| 31 | 110712X | | SWITCH LT |
| 32 | 127441X | | SUB= 136850 |
| 33 | 7662J | | SUB= 4152J |
| 34 | 108236X | | BRACKET LT |
| 35 | 17021008 | | SCREW |
| 36 | 130890 | | SWITCH BRACKET |
| 37 | 17021008 | | SCREW |
| 38 | 5320R | | INSUL CLIP T |
| 39 | 1749068 | | FUSE 30 AMP AUTO GREEN |

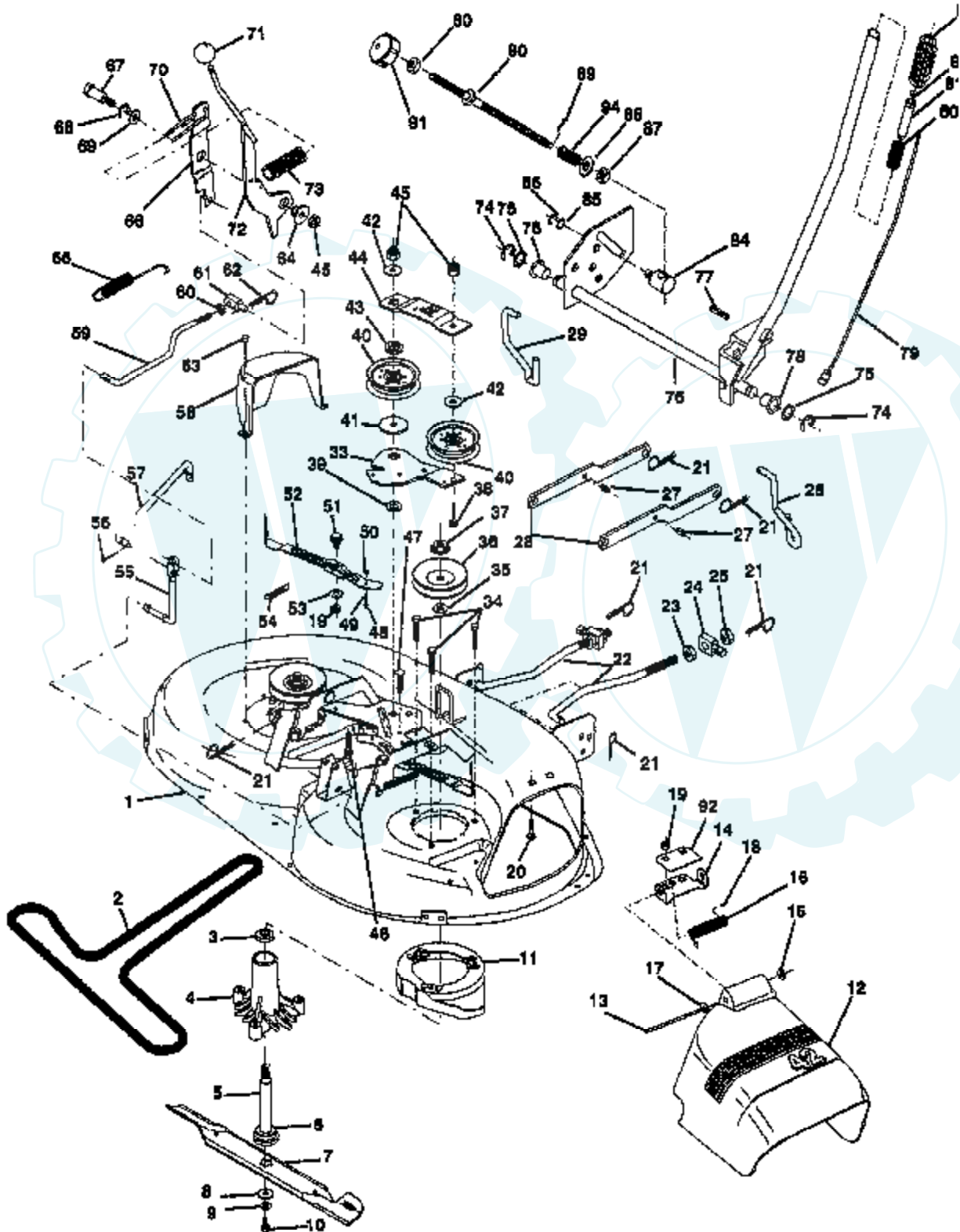
14 HP 42" RIDING LAWN TRACTOR - - MODEL NUMBER RE1442A ENGINE



- | | | | | | | | | | |
|----------|----------|----------|----------|----------|----------|----------|----------|----------|----------|
| A | B | C | D | E | F | G | H | J | K |
| | | | | | | | | | |

| Ref # | Part Number | Qty | Description |
|-------|-------------|-----|------------------|
| 1 | 132775 | | SUB= 132756 |
| 2 | 17720410 | | SCREW LT |
| 3 | 131958 | | ENGINE |
| 4 | 132777 | | SUB= 532132780 |
| 5 | 11050600 | | LOCKWASHER |
| 6 | 73610600 | | SUB= 7810H |
| 7 | 122434X | | TUBE ASSY EXH LH |
| 8 | 122435X | | TUBE ASSY EXH RH |
| 9 | 13280336 | | PIPE NIPPLE LT |
| 10 | 13200300 | | ELBOW |
| 11 | 11050600 | | LOCKWASHER |
| 12 | 17490620 | | SCREW |
| 13 | 122440X | | SUB= 149723 |
| 14 | 17190408 | | SCREW ST |
| 15 | 17490512 | | SCREW |
| 16 | 19131614 | | WASHER |
| 17 | 122439X | | BRACKET MUFFLER |
| 18 | 128199 | | SUB= 145552 |
| 19 | 101326L | | DEFLECTOR.222573 |
| 20 | 17030808 | | SUB= 17030814 |
| 25 | 128953 | | HEAT SHIELD |
| 26 | 17021008 | | SCREW |
| 29 | 123110X | | SPARK ARREST KIT |
| 30 | 109202X | | TANK.FUEL.LT. |
| 31 | 123487X | | HOSE CLAMP |
| 32 | 123549X | | SUB= 158990 |
| 33 | 8548R | | FUEL LINE T |
| 34 | 124028X | | SUB= 532124028 |
| 35 | 17490412 | | SCREW HEX CRT |
| 36 | 19091416 | | WASHER |
| 37 | | | REFER TO IMAGE |
| 38 | 2751R | | CLIP T |
| 39 | 73680600 | | SUB= 73690600 |

14 HP 42" RIDING LAWN TRACTOR - - MODEL NUMBER RE1442A
42" MOWER DECK

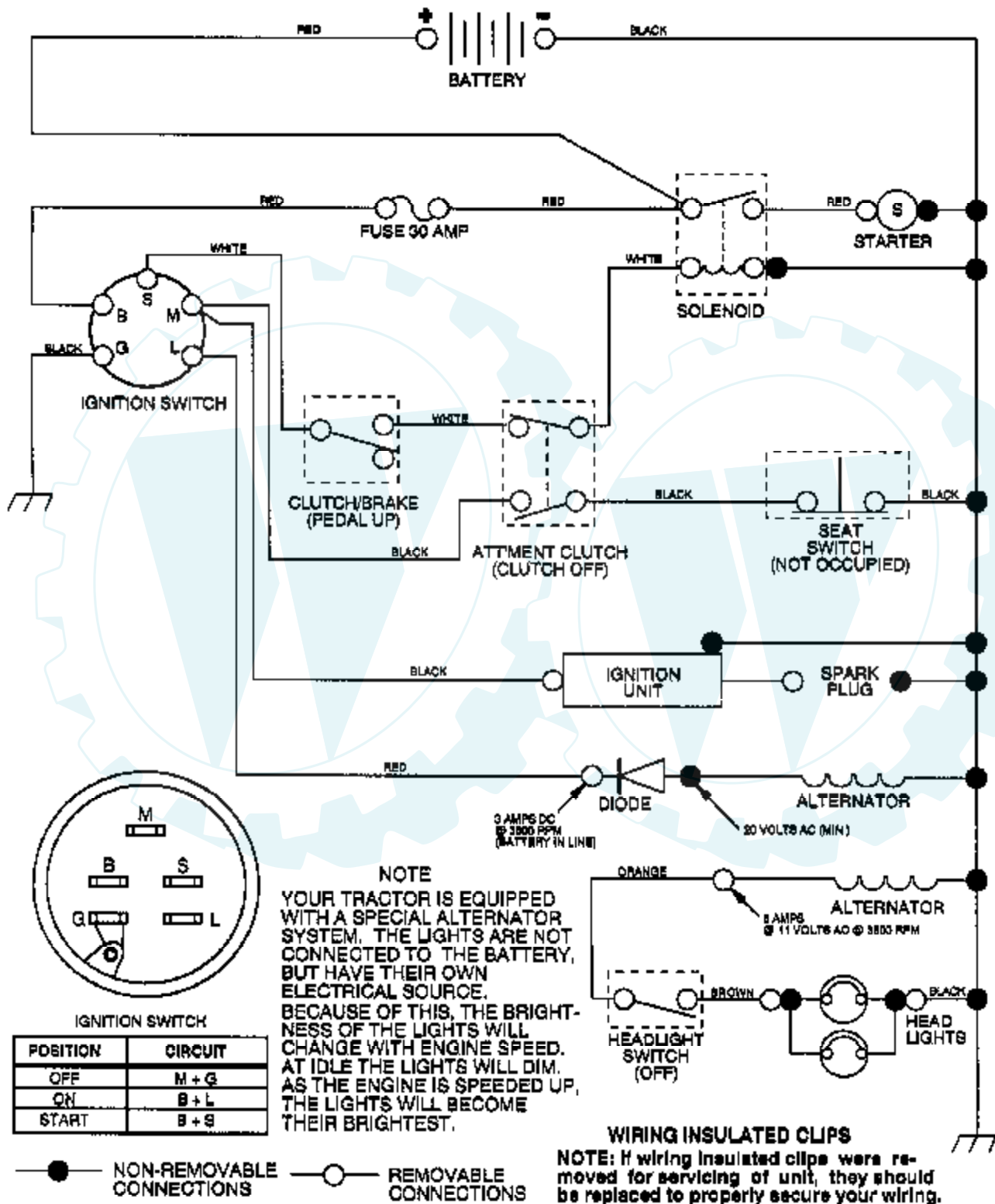


| Ref # | Part Number | Qty | Description |
|-------|-------------|-----|-------------------|
| 1 | 130970 | | SUB= 145338 |
| 2 | 130969 | | BELT-V.92.4.MWR |
| 3 | 110485X | | BEARING |
| 4 | 128774 | | HSG ASM MANDREL |
| 5 | 133172 | | SUB= 137646 |
| 6 | 129895 | | BEARING.BALL |
| 7 | 127843 | | SUB= 138498 |
| 8 | 129962 | | WASHER BLADE |
| 9 | 10030600 | | SUB= 10040600 |
| 10 | 850857 | | BLADE BOLT |
| 11 | 128961 | | SUB= 140329 |
| 12 | 130968 | | DEFLECTOR.SHIELD |
| 13 | 131491 | | HINGE ROD |
| 14 | 131267 | | DEFLECTOR BRKT |
| 15 | 110452X | | NUT PUSH M |
| 16 | 123713X | | SPRING TORSION |
| 17 | 19111016 | | WASHER |
| 18 | 105304X | | CAP-SLEEVE LT |
| 19 | 73680500 | | SUB= 73690500 |
| 20 | 72140506 | | BOLT |
| 21 | 4939M | | SUB= 85902 |
| 22 | 127218 | | LINK.FRONT |
| 23 | 73350800 | | NUT |
| 24 | 130171 | | TRUNION |
| 25 | 73800800 | | NUT.LK.W/WSH.1/2. |
| 26 | 135388 | | LIFT LINK RH |
| 27 | 135563 | | "PIN,SPRING" |
| 28 | 130833 | | SUSP ARM ASM REAR |
| 29 | 134619 | | LINK LIFT LH |
| 33 | 133844 | | IDLER ARM |
| 34 | 78158 | | SUB= 17580520 |
| 35 | 129963 | | WASHER |
| 36 | 129861 | | SUB= 153535 |
| 37 | 73050900 | | SUB= 139729 |
| 38 | 72110614 | | BOLT |
| 39 | 133943 | | HARDENED WASHER |
| 40 | 131494 | | FLAT IDLER PULLEY |
| 41 | 122052X | | SPACER RETAINER |
| 42 | 19131612 | | WASHER GT |
| 43 | 133502 | | RETAINER SPACER |
| 44 | 133503 | | IDLER ARM STIFF |
| 45 | 73680600 | | SUB= 73690600 |
| 46 | 72110618 | | BOLT CARRIAGE |
| 47 | 133835 | | XMAS TREE FASTNER |
| 48 | 131340 | | SHOULDER BOLT |
| 49 | 133940 | | SUB= 151785 |
| 50 | 69180 | | LOCKNUT |
| 51 | 105529X | | SUB= 139888 |
| 52 | 131845 | | BRAKE PAD ARM ASM |
| 53 | 133944 | | HARD SMALL WASHER |
| 54 | 131335 | | SPRING EXTENSION |
| 55 | 133551 | | PIVOT ROD |
| 56 | 76020312 | | SUB= 3145 |
| 57 | 133504 | | CLUTCH ROD SECOND |
| 58 | 131857 | | SUB= 140088 |
| 59 | 133550 | | SUB= 142427 |
| 60 | 73350600 | | NUT |
| 61 | 133205 | | TRUNION |

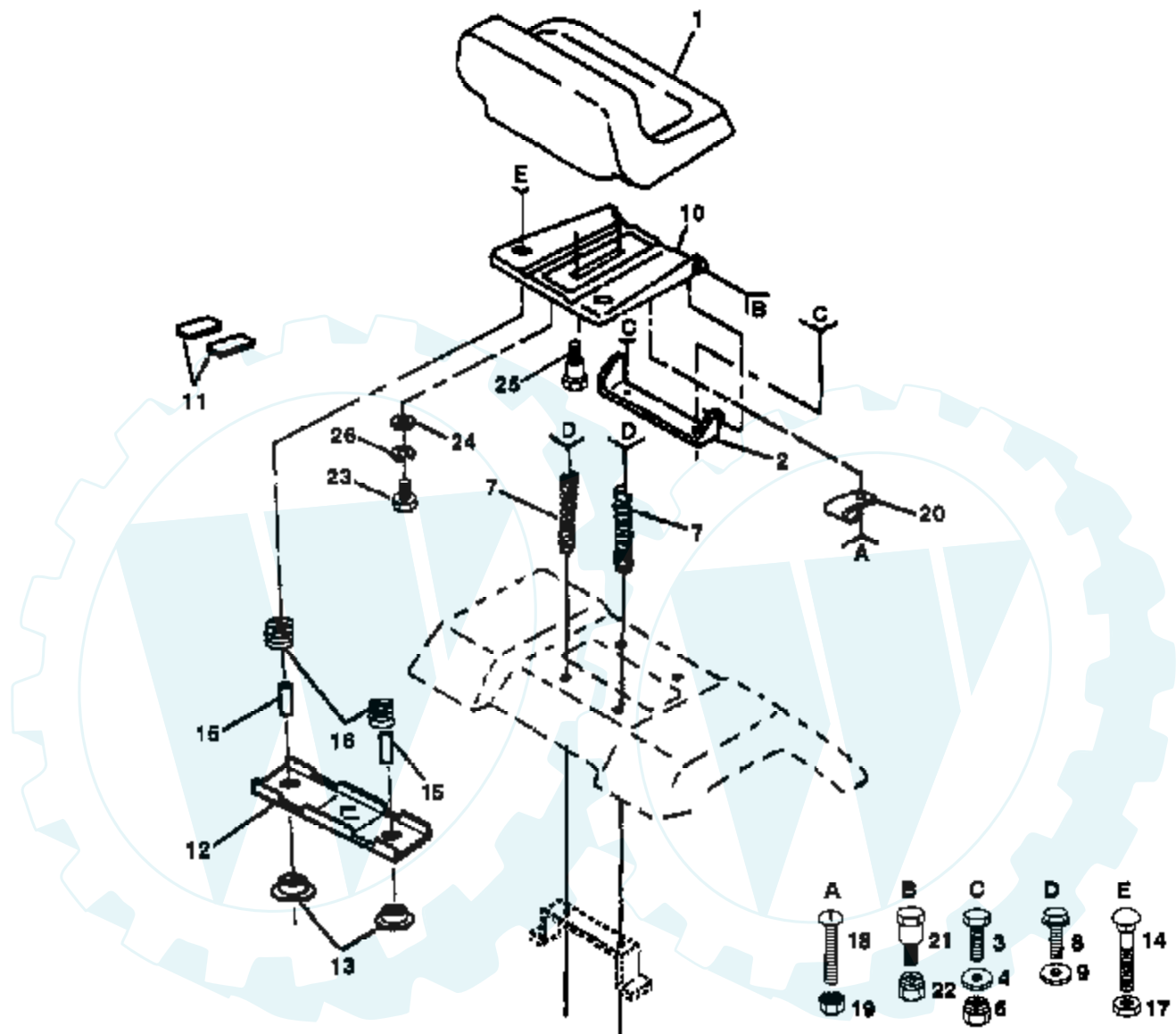
| Ref # | Part Number | Qty | Description |
|-------|-------------|-----|-------------------|
| 62 | 4497H | | RETAINER M |
| 63 | 17720410 | | SCREW LT |
| 64 | 127498 | | BUSHING |
| 65 | 131870 | | RETURN SPRING |
| 66 | 127847 | | CLUTCH ARM SECOND |
| 67 | 128903 | | SHOULDER BOLT |
| 68 | 12000029 | | RING |
| 69 | 121748X | | WASHER |
| 70 | 127845 | | SPRING KEEPER |
| 71 | 106932X | | KNOB T(3/8 HOLE) |
| 72 | 133573 | | CLUTCH ARM PRI AS |
| 73 | 128759 | | SUB= 918128759 |
| 74 | 12000002 | | SUB= 2225J |
| 75 | 19211416 | | WASHER |
| 76 | 122507X | | SUB= 145117 |
| 77 | 105767X | | PIN-GROOVE LT |
| 78 | 120183X | | NYLON BEARING |
| 79 | 122514X | | SUB= 136973 |
| 80 | 122512X | | SUB= 532122512 |
| 81 | 122364X | | SUB= 125925X |
| 82 | 124526X | | SUB= 125925X |
| 83 | 109413X | | GRIP |
| 84 | 110810X | | TRUNION LT |
| 85 | 19151216 | | WASHER |
| 86 | 12000037 | | KLIP RING |
| 87 | 110807X | | NUT T |
| 88 | 19131016 | | WASHER |
| 89 | 76020308 | | SUB= 3145 |
| 90 | 126971X | | SUB= 532126971 |
| 91 | 100734K | | SUB= 138057 |
| 92 | 134753 | | STIFFENER BRKT |
| 94 | 2876H | | SPRING T |
| | 132707 | | SUB= 145411 |
| | 130794 | | MANDREL ASM |

RIDING LAWN TRACTOR - MODEL NUMBER RE1442A

SCHEMATIC

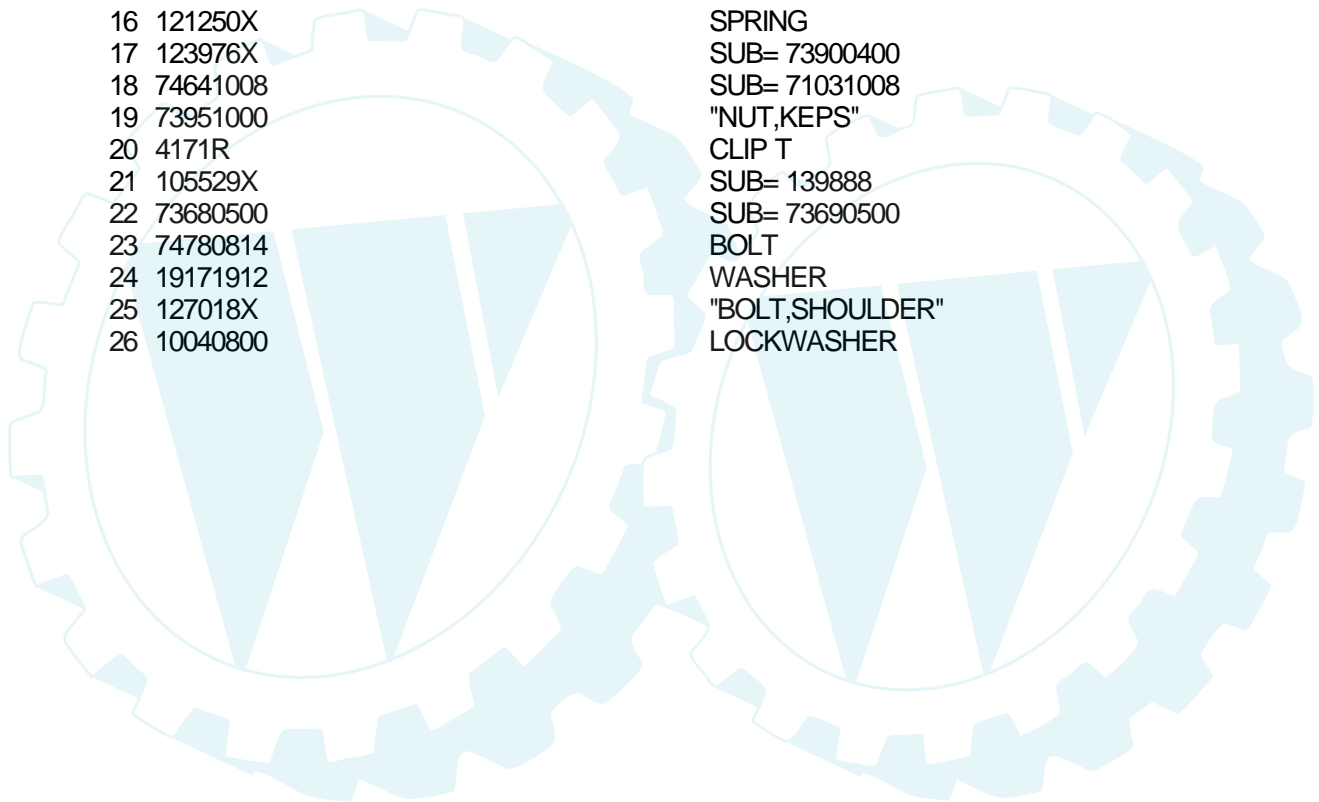


14 HP 42" RIDING LAWN TRACTOR - - MODEL NUMBER RE1442A SEAT ASSEMBLY

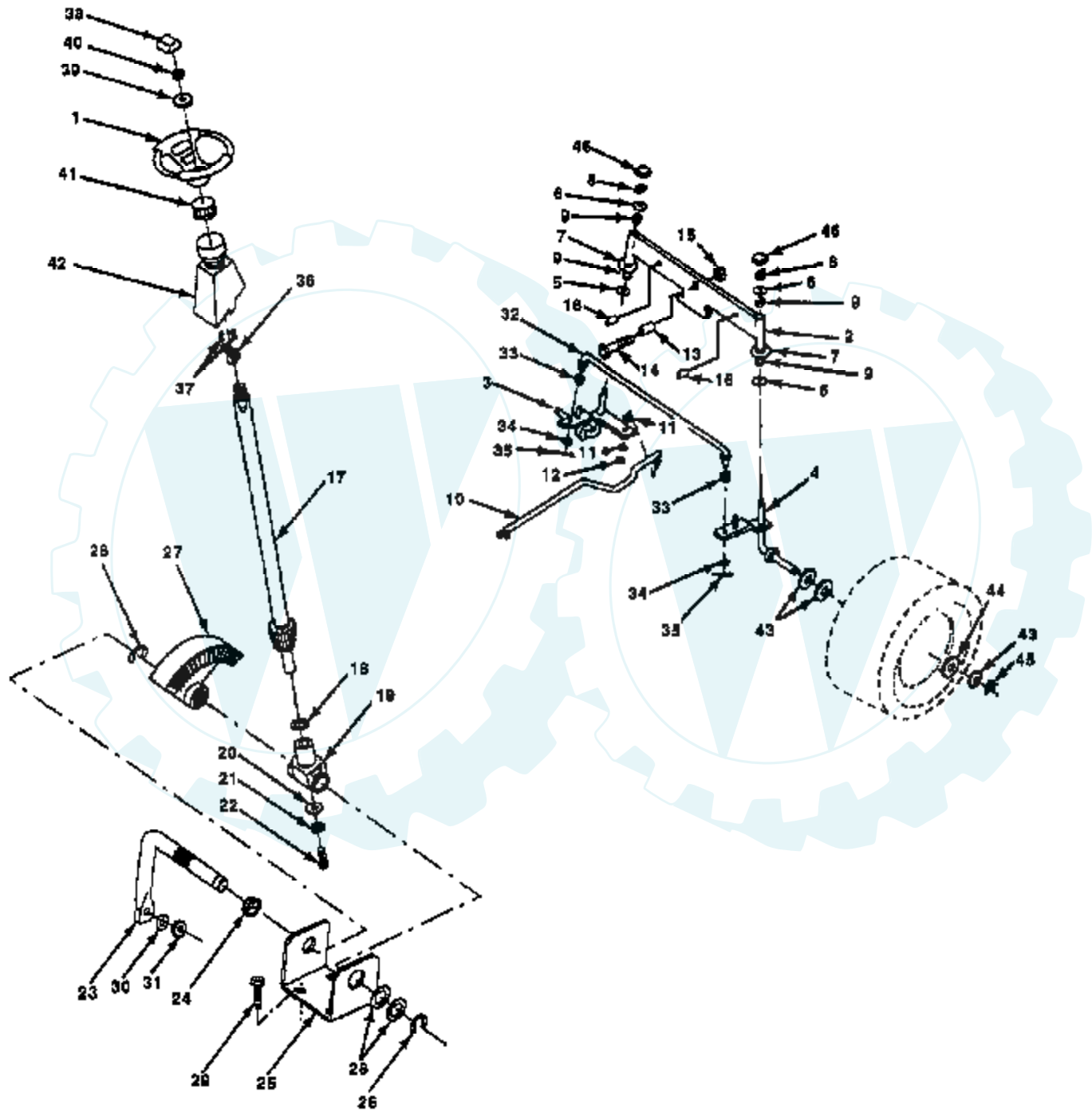


NOTE: All component dimensions given in U.S. inches - 1
inch = 25.4 mm.

| Ref # | Part Number | Qty | Description |
|-------|-------------|-----|-------------------|
| 1 | 132296X | | SEAT |
| 2 | 126656X | | SUB= 140551 |
| 3 | 74760612 | | SUB= 74780612 |
| 4 | 19131210 | | WASHER |
| 6 | 73680600 | | SUB= 73690600 |
| 7 | 124181X | | SPRING COMPRESSIO |
| 8 | 17490616 | | SCREW GTV |
| 9 | 19131614 | | WASHER |
| 10 | 131451 | | SUB= 155925 |
| 11 | 121251X | | STRIP FORM |
| 12 | 121246X | | BRKT SWITCH |
| 13 | 121248X | | BUSHING |
| 14 | 72050411 | | SUB= 872050411 |
| 15 | 121249X | | SPACER SPLIT |
| 16 | 121250X | | SPRING |
| 17 | 123976X | | SUB= 73900400 |
| 18 | 74641008 | | SUB= 71031008 |
| 19 | 73951000 | | "NUT,KEPS" |
| 20 | 4171R | | CLIP T |
| 21 | 105529X | | SUB= 139888 |
| 22 | 73680500 | | SUB= 73690500 |
| 23 | 74780814 | | BOLT |
| 24 | 19171912 | | WASHER |
| 25 | 127018X | | "BOLT,SHOULDER" |
| 26 | 10040800 | | LOCKWASHER |



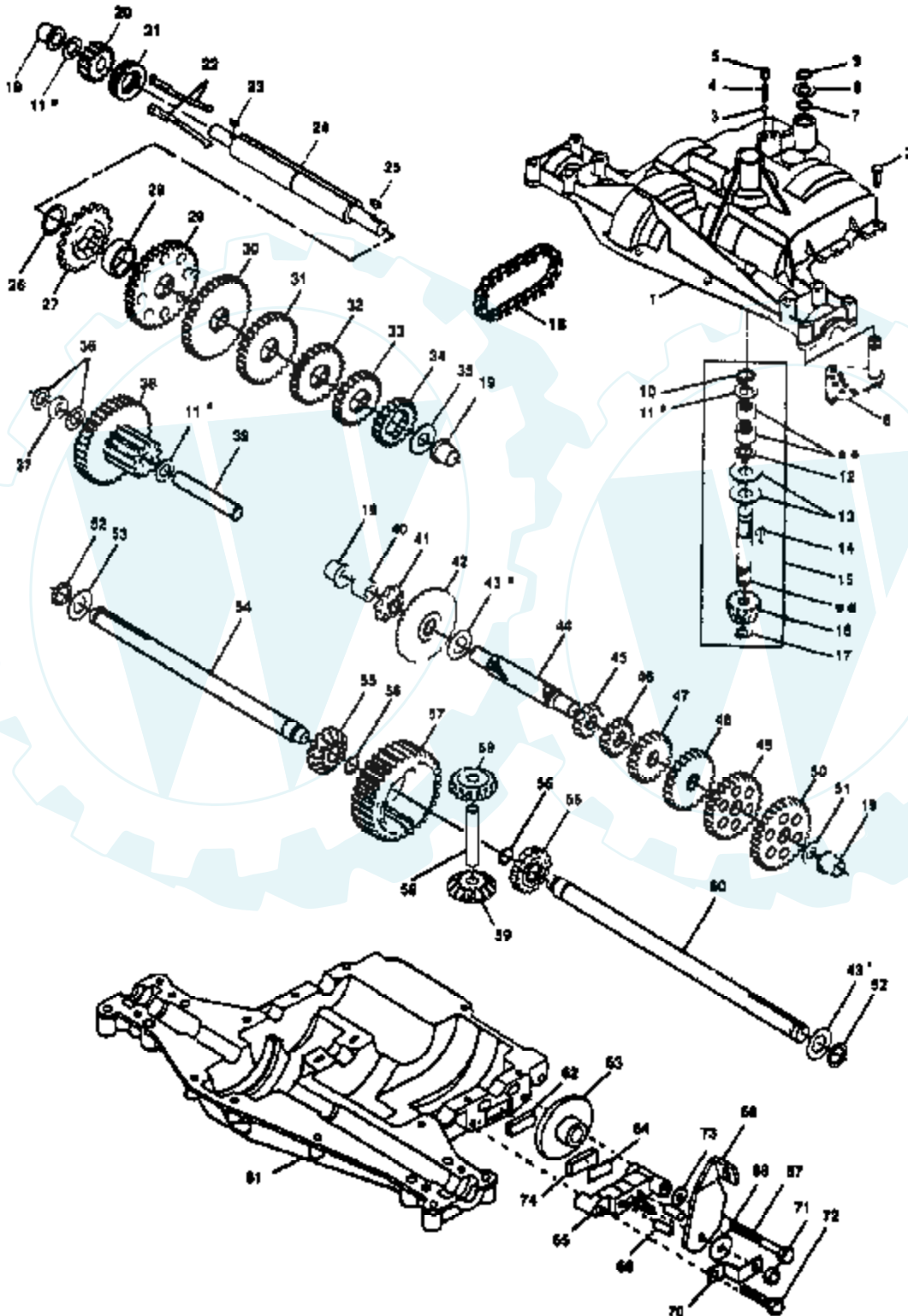
14 HP 42" RIDING LAWN TRACTOR - - MODEL NUMBER RE1442A STEERING ASSEMBLY



| Ref # | Part Number | Qty | Description |
|-------|-------------|-----|-------------------|
| 1 | 133741 | | SUB= 150547 |
| 2 | 131450 | | SUB= 142033 |
| 3 | 135227 | | SPINDLE LH |
| 4 | 135228 | | SPINDLE RH |
| 5 | 6266H | | WASHER .T |
| 6 | 121748X | | WASHER |
| 7 | 19272016 | | WASHER |
| 8 | 12000029 | | RING |
| 9 | 3366R | | COL. SRTG. BEAR. |
| 10 | 130468 | | SUB= 532130468 |
| 11 | 10040600 | | LOCKWASHER |
| 12 | 73610600 | | SUB= 7810H |
| 13 | 110438X | | BEARING |
| 14 | 74011056 | | BOLT HEX 5/8-11 |
| 15 | 73601000 | | SUB= 73901000 |
| 16 | 132624 | | AXLE PIN |
| 17 | 132614 | | SHAFT ASM |
| 18 | 57079 | | THRUST WASHER |
| 19 | 124035X | | SUPPORT.SHAFT |
| 20 | 126684X | | SUB= 532126684 |
| 21 | 10040400 | | LOCKWASHER |
| 22 | 71070410 | | "SCREW,SPECIAL" |
| 23 | 127501 | | SUB= 918127501 |
| 24 | 109816X | | NYLINER T |
| 25 | 124036X | | "BRKT,STEERING" |
| 26 | 12000029 | | RING |
| 27 | 124034X | | SUB= 136874 |
| 28 | 6266H | | WASHER .T |
| 29 | 17490612 | | SCREW |
| 30 | 10040600 | | LOCKWASHER |
| 31 | 73610600 | | SUB= 7810H |
| 32 | 130465 | | TIE ROD |
| 33 | 126847X | | BUSHING.DRAGLINK |
| 34 | 19131416 | | WASHER |
| 35 | 76020412 | | COTTER PIN |
| 36 | 132196 | | SUB= 155106 |
| 37 | 17431008 | | SUB= 98000165 |
| 38 | 133742 | | ST WHL INSERT CAP |
| 39 | 19133808 | | WASHER T |
| 40 | 7810H | | GRIPCO NUT |
| 41 | 104820X | | ADAPTER-WHEEL LT |
| 42 | 124418X | | "TUBE, STR SHAFT" |
| 43 | 121749X | | WASHER |
| 44 | 121748X | | WASHER |
| 45 | 12000029 | | RING |
| 46 | 121232X | | CAP |

**14 HP 42" RIDING LAWN TRACTOR - - MODEL NUMBER RE1442A
TRANSAXLE FOOTE-DANA - MODEL NUMBER 4360-07**

TRANSAXLE

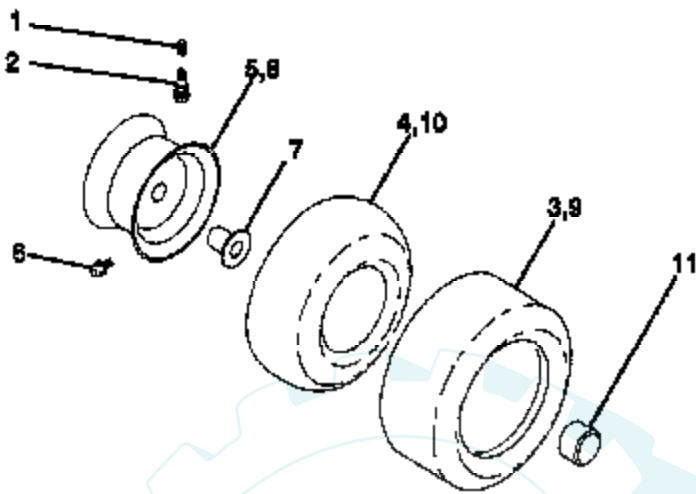


| Ref # | Part Number | Qty | Description |
|-------|-------------|-----|----------------------------------|
| 1 | 3865 | | HOUSING UPPER |
| 2 | 1919 | | SCREW |
| 3 | 1151 | | BALL DETENT |
| 4 | 3626 | | SPRING, DETENT |
| 5 | 3623 | | SCREW, SET |
| 6 | 4336 | | ASSY SHIFTER |
| 7 | 3884 | | O-RING |
| 8 | 3885 | | WASHER PLAIN |
| | 3886 | | WASHER PLAIN |
| | 3887 | | WASHER PLAIN |
| | 3888 | | WASHER PLAIN |
| | 3889 | | WASHER PLAIN |
| | 3121 | | WASHER PLAIN |
| | 3890 | | WASHER PLAIN |
| 9 | 1100 | | RING RETAINING |
| 10 | 1099 | | RING RETAINING |
| 11 | 1959 | | WASHER PLAIN |
| | 1441 | | WASHER PLAIN |
| | 1423 | | WASHER, PLAIN .632 X 1.00 X .026 |
| | 1082 | | WASHER PLAIN |
| | 1424 | | WASHER PLAIN |
| | 1068 | | WASHER PLAIN |
| | 1425 | | WASHER PLAIN |
| | 1358 | | WASHER PLAIN |
| | 1145 | | WASHER, PLAIN .632 X 1.00 X .060 |
| | 1319 | | WASHER PLAIN |
| 12 | 3312 | | O-RING |
| 13 | 3876 | | WASHER, PLAIN .632 X 1.38 X .046 |
| 14 | 1374 | | KEY WOODRUFF #9 |
| 15 | 4134 | | ASSY KIT INPUT SHAFT |
| 16 | 3590 | | PINION, BEVEL, 14 TEETH |
| 17 | 3624 | | RING, RETAINING |
| 18 | 3625 | | CHAIN, 24 PITCHES |
| 19 | 1542 | | BEARING, FLANGE |
| 20 | 3773 | | GEAR SPUR, 14 TEETH |
| 21 | 3631 | | COLLAR CLUTCH |
| 22 | 3828 | | KEY CLUTCH |
| 23 | 1369 | | KEY WOODRUFF #3 |
| 24 | 3883 | | SHAFT INTERMEDIATE |
| 25 | 1375 | | KEY, WOODRUFF, #61 |
| 26 | 3627 | | RING, RETAINING |
| 27 | 3830 | | SPROCKET, 18 TEETH |
| 28 | 3841 | | SPACER |
| 29 | 3786 | | GEAR, SPUR, 37 TEETH |
| 30 | 3785 | | GEAR, SPUR, 35 TEETH |
| 31 | 3867 | | GEAR, SPUR, 30 TEETH |
| 32 | 3783 | | GEAR, SPUR, 25 TEETH |
| 33 | 3869 | | GEAR, SPUR, 22 TEETH |
| 34 | 3741 | | GEAR SPUR |
| 35 | 3628 | | WASHER, PLAIN .640 X 1.37 X .061 |
| 36 | 1423 | | WASHER, PLAIN .632 X 1.00 X .026 |
| 37 | 3422 | | SPACER .630 X 1.00 X .169 |
| 38 | 4286 | | ASSY GEAR COMB 12&35 TEETH |
| 39 | 3877 | | SHAFT IDLER |
| 40 | 3901 | | SPACER .635 X .875 X .755 |
| 41 | 3645 | | SPROCKET, 9 TEETH |
| 42 | 3853 | | GEAR BEVEL 42 TEETH |
| 43 | 3749 | | WASHER PLAIN |

| Ref # | Part Number | Qty | Description |
|-------|-------------|-----|----------------------------------|
| | 3652 | | WASHER PLAIN |
| | 3693 | | WASHER PLAIN |
| | 3653 | | WASHER PLAIN |
| | 3408 | | WASHER PLAIN |
| | 3732 | | WASHER PLAIN |
| | 3184 | | WASHER, PLAIN .758 X 1.25 X .031 |
| | 3733 | | WASHER PLAIN |
| | 3198 | | WASHER PLAIN |
| | 3734 | | WASHER PLAIN |
| | 3735 | | WASHER PLAIN |
| | 3736 | | WASHER PLAIN |
| | 3180 | | WASHER PLAIN |
| 44 | 3882 | | SHAFT, DRIVE |
| 45 | 3646 | | GEAR, SPUR, 12 TEETH |
| 46 | 3707 | | GEAR SPUR, 15 TEETH |
| 47 | 3866 | | GEAR, SPUR, 20 TEETH |
| 48 | 3719 | | GEAR, SPUR, 25 TEETH |
| 49 | 3868 | | GEAR, SPUR, 28 TEETH |
| 50 | 3683 | | GEAR, SPUR, 31 TEETH |
| 51 | 1145 | | WASHER, PLAIN .632 X 1.00 X .060 |
| 52 | 3191 | | SEAL FELT |
| 53 | 3180 | | WASHER PLAIN |
| 54 | 3980 | | AXLE LEFT HAND |
| 55 | 3780 | | GEAR, MITER, 15 TEETH |
| 56 | 3656 | | RING, RETAINING |
| 57 | 3839 | | GEAR, SPUR, 32 TEETH |
| 58 | 3919 | | SHAFT, CROSS |
| 59 | 3781 | | GEAR, MITER, 15 TEETH |
| 60 | 3981 | | AXLE RIGHT HAND |
| 61 | 3864 | | HOUSING LOWER |
| 62 | 3920 | | PUCK, FRICTION |
| 63 | 3276 | | DISC, BRAKE |
| 64 | 3758 | | SPACER |
| 65 | 3916 | | JAW, BRAKE |
| 66 | 3843 | | PIN, DOWEL |
| 67 | 3915 | | SCREW TAPPING |
| 68 | 3768 | | LEVER, ACTUATING |
| 69 | 3760 | | WASHER, PLAIN .321 X 1.00 X .055 |
| 70 | 3917 | | BRACKET, ANTI-ROTATION |
| 71 | 3847 | | LOCKNUT 5/16-24 |
| 72 | 3724 | | SCREW TAPPING |
| 73 | 3906 | | WASHER PLAIN |
| 74 | 3907 | | PUCK, FRICTION |
| 75 | 4300 | | GREASE |

14 HP 42" RIDING LAWN TRACTOR - - MODEL NUMBER RE1442A

WHEELS & TIRES



NOTE: All component dimensions given in U.S. inches - 1 inch = 25.4 mm.



| Ref # | Part Number | Qty | Description |
|-------|-------------|-----|-------------------|
| 1 | 59192 | | VALVE CAP |
| 2 | 65139 | | VALVE STEM LT |
| 3 | 106222X | | SUB= 122073X |
| 4 | 59904 | | TUBE.5.3/4.5/6 |
| 5 | 106732X311 | | SUB= 106732X427 |
| 6 | 278H | | FITTING LT |
| 7 | 9040H | | "FLANGE, BEARING" |
| 8 | 106108X311 | | SUB= 106108X427 |
| 9 | 124635X | | SUB= 126957X |
| 10 | 7152J | | TUBE.18X9.5-8 |
| 11 | 104757X | | HUB CAP |

