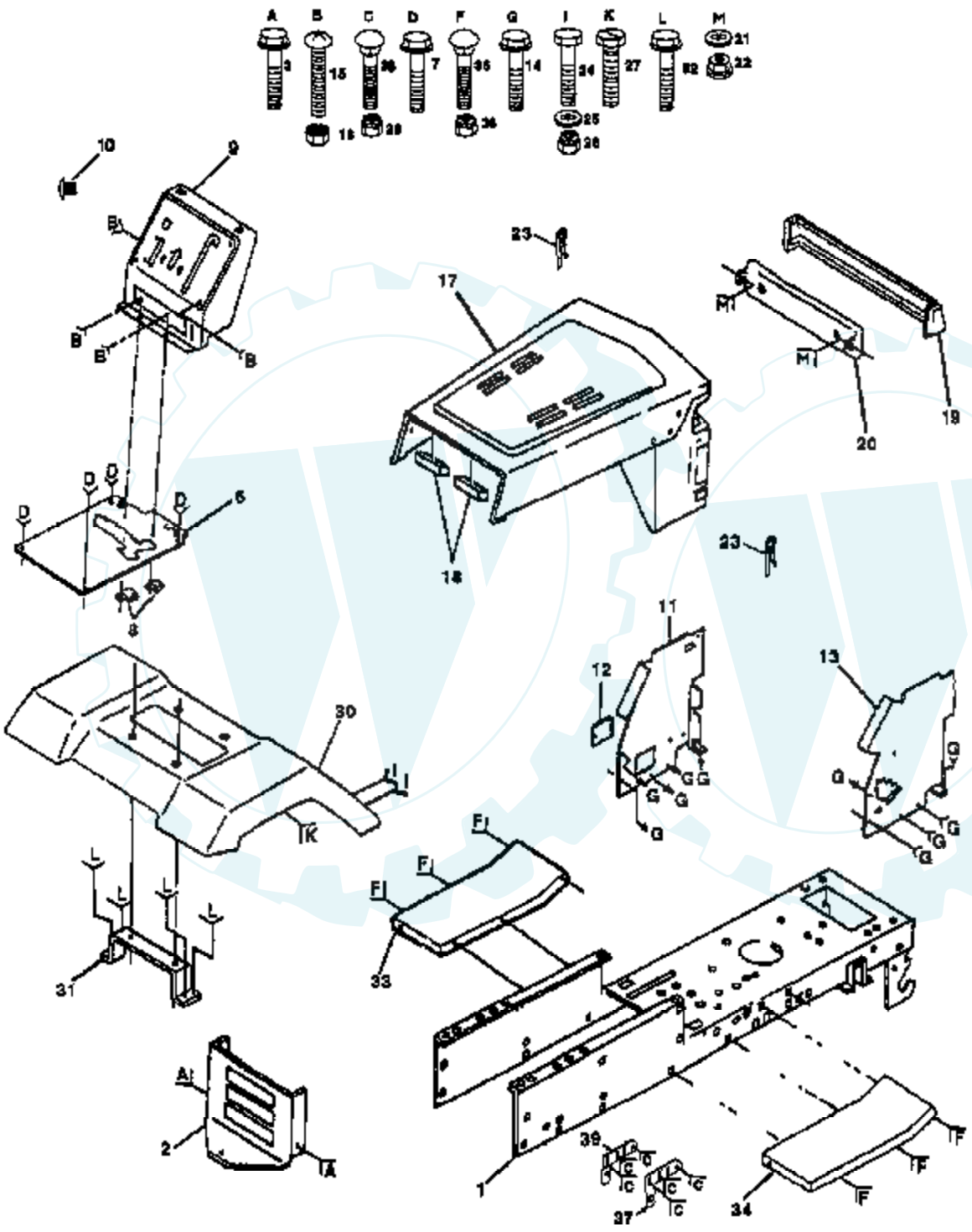


### 12.5 HP 42" TRACTOR - - MODEL NUMBER RE12542A CHASSIS AND ENCLOSURES

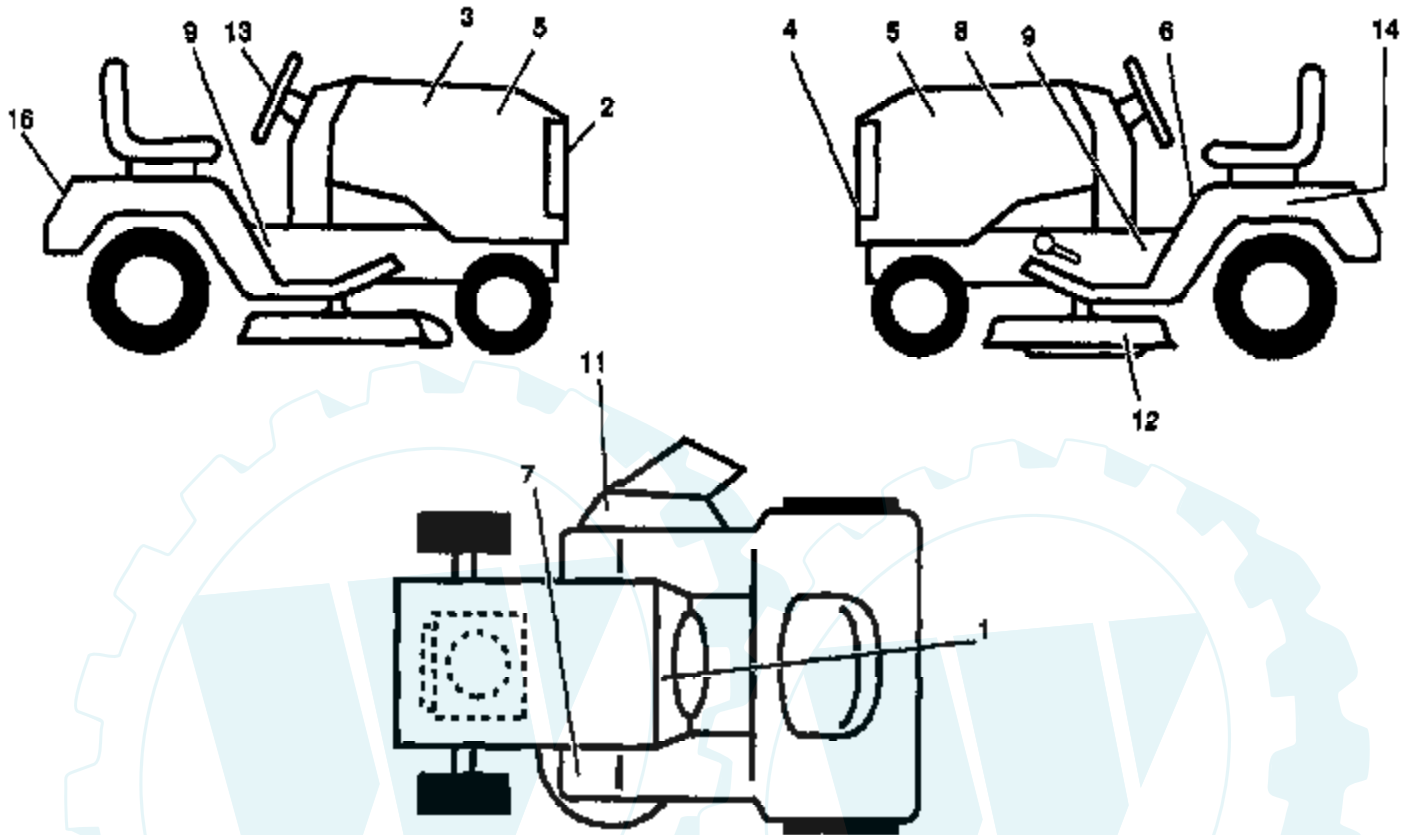


| Ref # | Part Number | Qty | Description                  |
|-------|-------------|-----|------------------------------|
| 1     | 1350342     |     | CHASSIS WELDMENT 12 GA 38/42 |



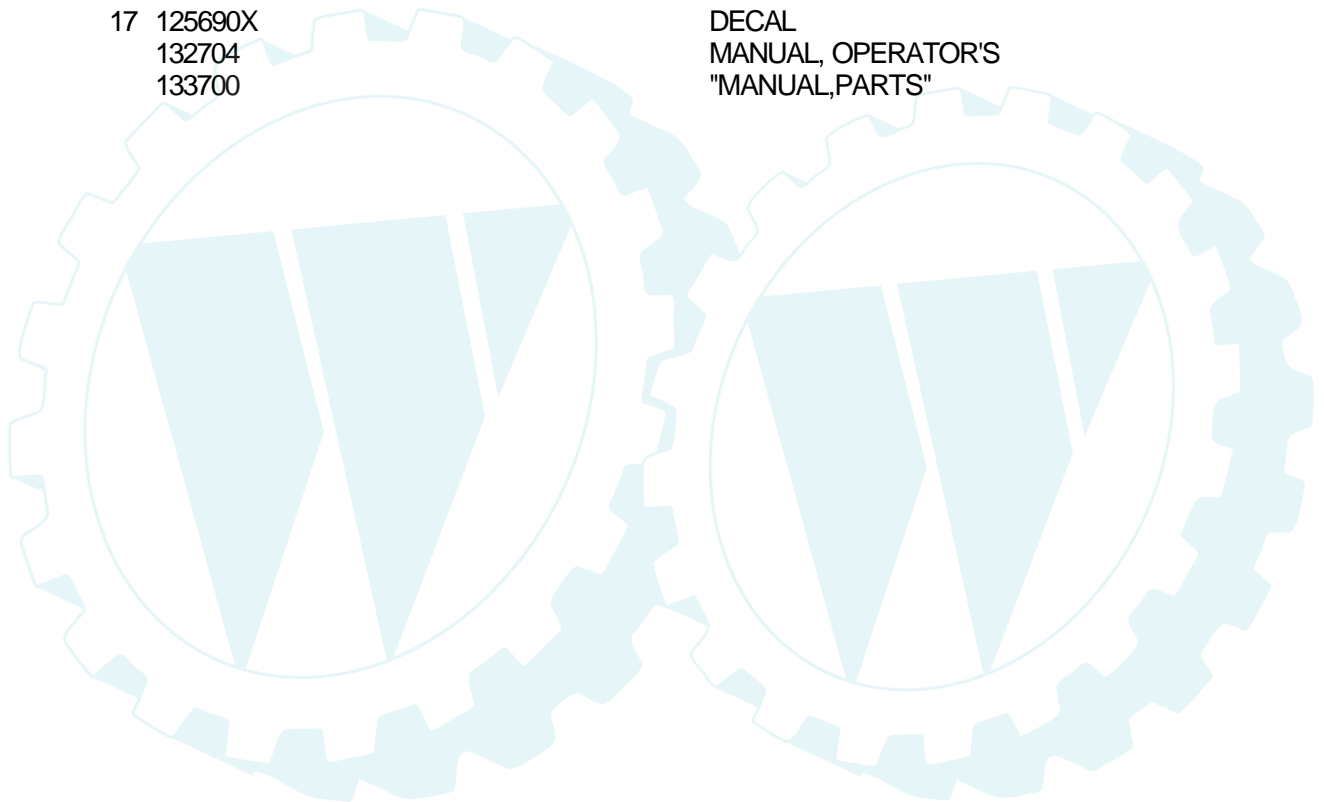
### 12.5 HP 42" TRACTOR - - MODEL NUMBER RE12542A

#### DECALS



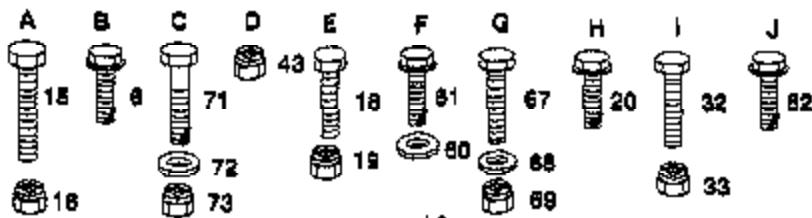
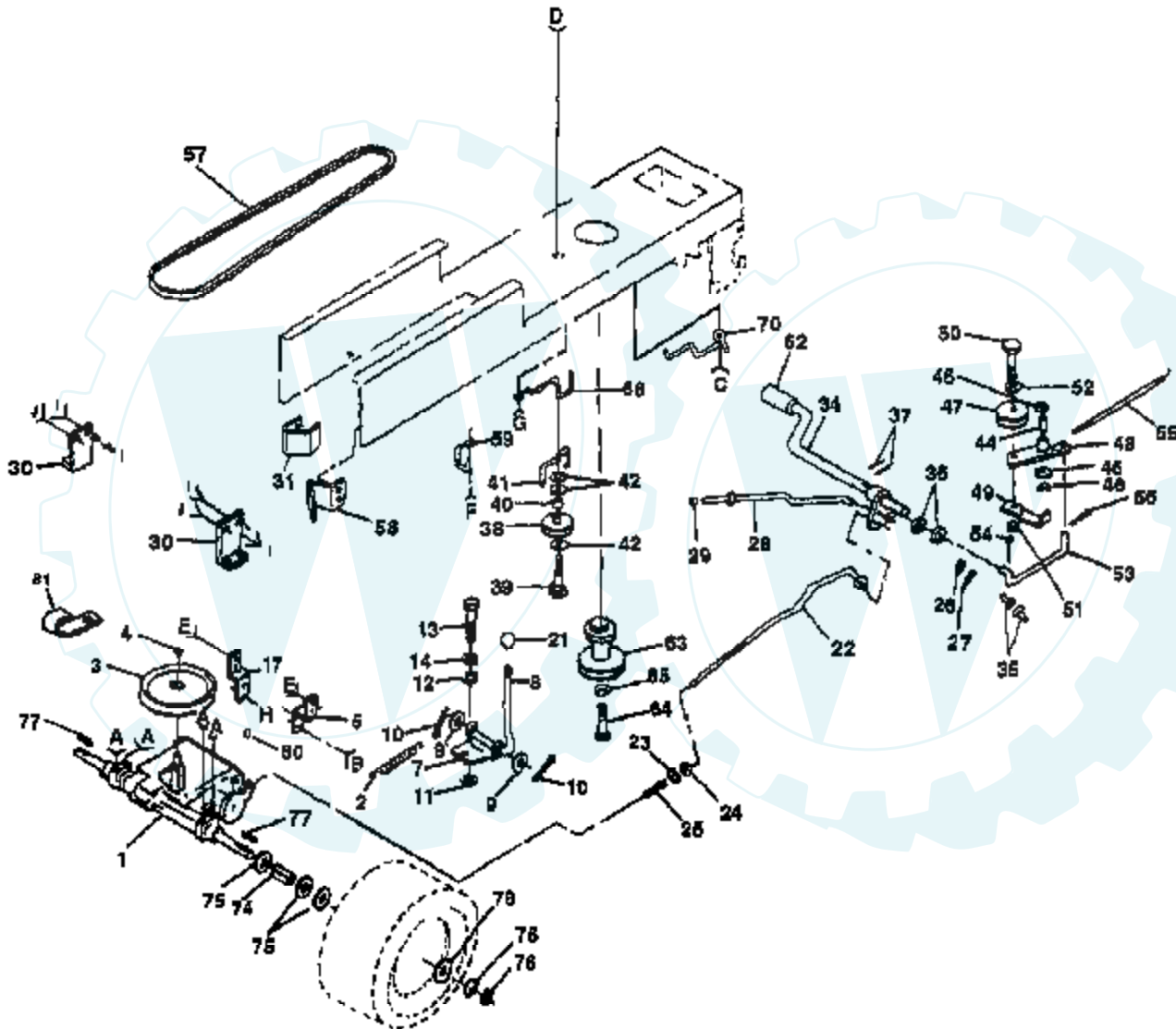
**NOTE:** All component dimensions given in U.S. inches - 1  
inch = 25.4 mm.

| Ref # | Part Number | Qty | Description        |
|-------|-------------|-----|--------------------|
| 1     | 109821X     |     | SUB= 138956        |
| 2     | 132627      |     | GRILL DECAL        |
| 3     | 130442      |     | NLA                |
| 4     | 129823      |     | NLA                |
| 5     | 127033      |     | "DECAL,HOOD"       |
| 6     | 133795      |     | DECAL CAUTION      |
| 7     | 101892X     |     | DECAL T            |
| 8     | 130443      |     | NLA                |
| 9     | 131425      |     | CHASSIS DECAL      |
| 11    | 121349X     |     | DECAL WARNING      |
| 12    | 109820X     |     | DECAL YT           |
| 13    | 127075      |     | "DECAL,STR WHL"    |
| 14    | 121549X     |     | DECAL              |
| 16    | 132628      |     | FENDER DECAL       |
| 17    | 125690X     |     | DECAL              |
|       | 132704      |     | MANUAL, OPERATOR'S |
|       | 133700      |     | "MANUAL,PARTS"     |



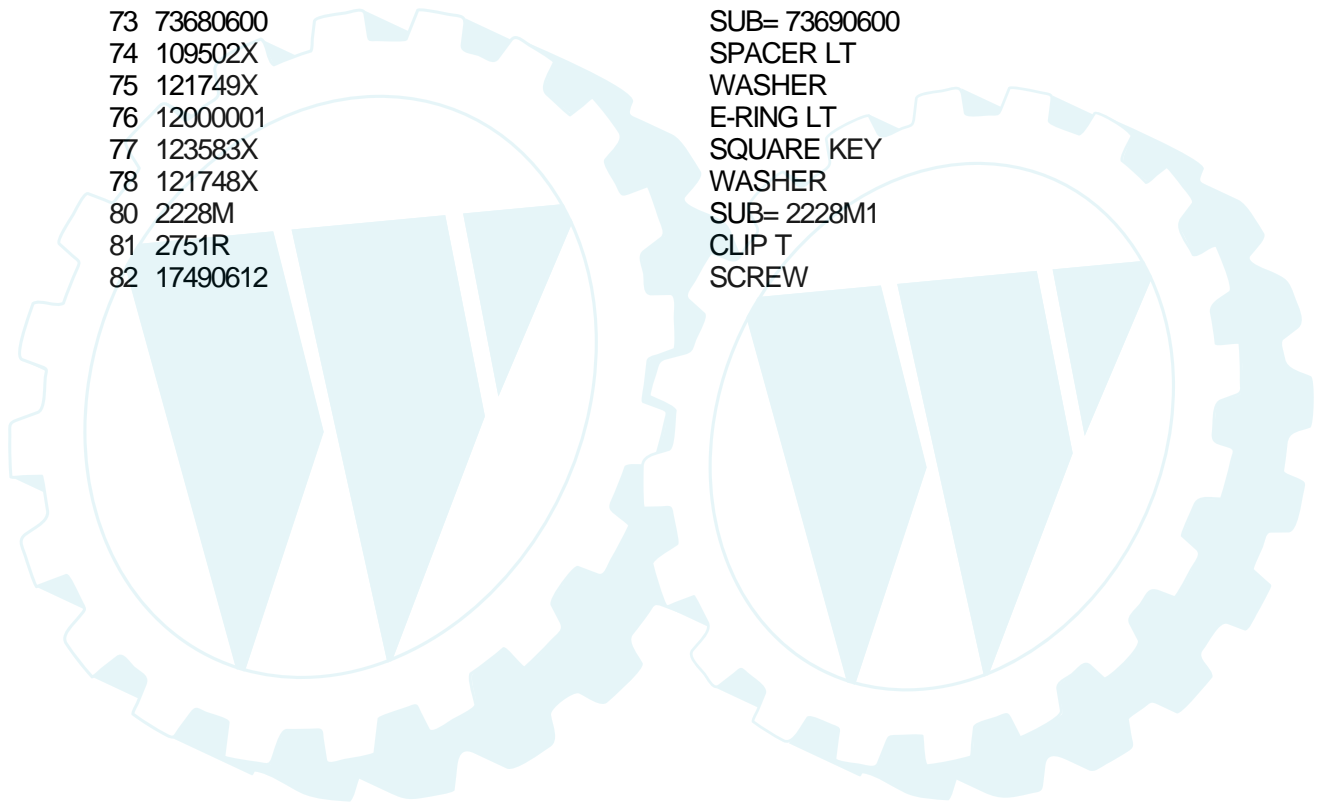
### 12.5 HP 42" TRACTOR - - MODEL NUMBER RE12542A

#### DRIVE



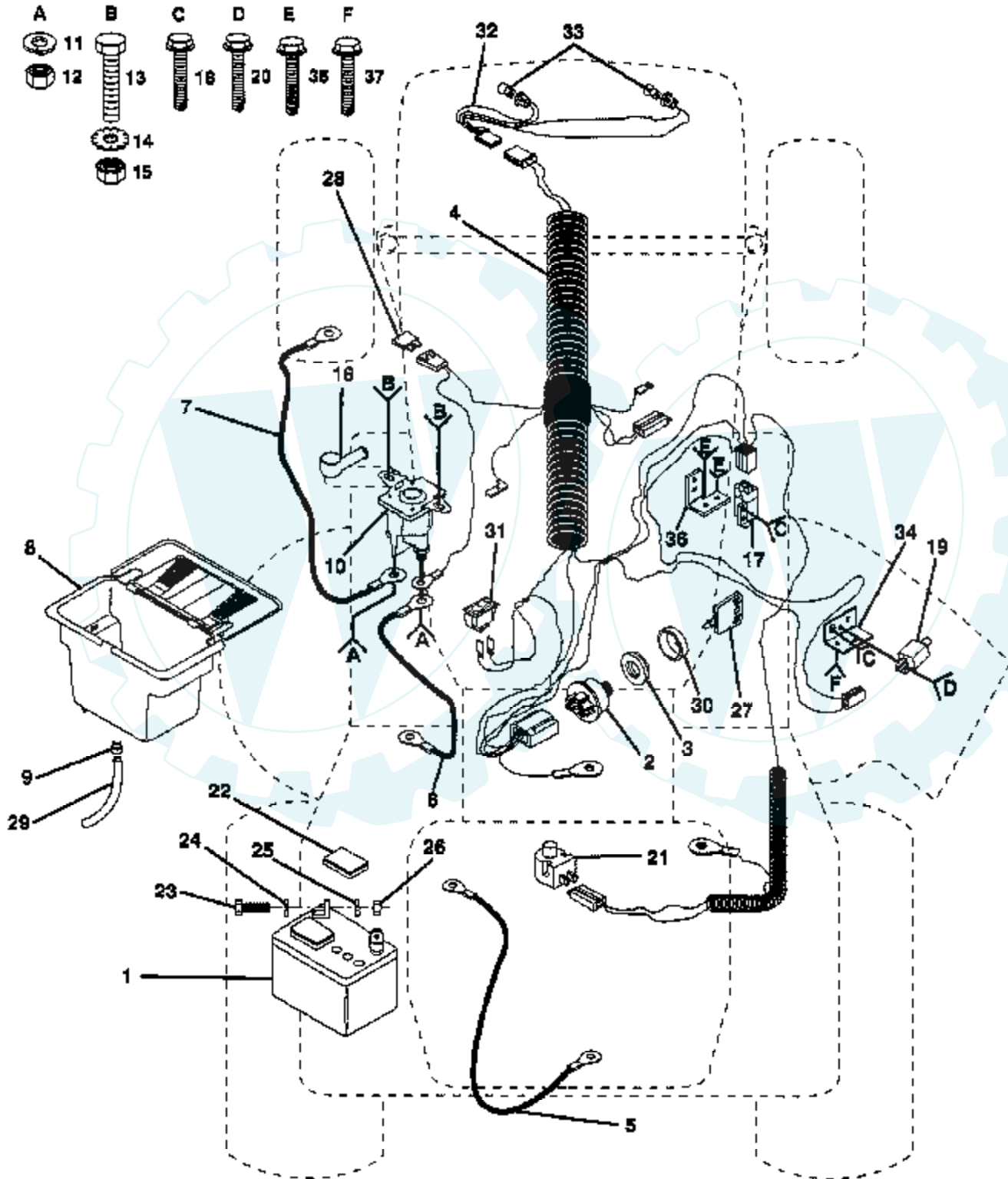
| Ref # | Part Number | Qty | Description         |
|-------|-------------|-----|---------------------|
| 1     | 120898X     |     | SUB= 137367         |
| 2     | 110422X     |     | SUB= 146682         |
| 3     | 123666X     |     | PULLEY TRANS        |
| 4     | 12000028    |     | SUB= 2267J          |
| 5     | 121520X     |     | STRAP TORQUE        |
| 6     | 17490512    |     | SCREW               |
| 7     | 130802      |     | SUB= 162240         |
| 8     | 131679      |     | SHIFT ROD           |
| 9     | 19151216    |     | WASHER              |
| 10    | 76020416    |     | PIN COTTER 1/8      |
| 11    | 105701X     |     | WASH-SHFT PLT LT    |
| 12    | 19091210    |     | WASHER LT           |
| 13    | 71040412    |     | SUB= 74550412       |
| 14    | 10040400    |     | LOCKWASHER          |
| 15    | 74760540    |     | BOLT                |
| 16    | 73680500    |     | SUB= 73690500       |
| 17    | 121520X     |     | STRAP TORQUE        |
| 18    | 74760612    |     | SUB= 74780612       |
| 19    | 73680600    |     | SUB= 73690600       |
| 20    | 17490512    |     | SCREW               |
| 21    | 106279X     |     | CONTROL KNOB LT     |
| 22    | 130804      |     | BRAKE ROD           |
| 23    | 73800600    |     | NUT                 |
| 24    | 73350600    |     | NUT                 |
| 25    | 106888X     |     | SPRING ROD LT       |
| 26    | 19131316    |     | WASHER              |
| 27    | 76020412    |     | COTTER PIN          |
| 28    | 128904      |     | PARKING BRAKE ROD   |
| 29    | 7733J       |     | SUB= 71673          |
| 30    | 130807      |     | TRANSAXLE MTG BKT   |
| 31    | 127275X     |     | "KEEPER,BELT LH T"  |
| 32    | 74760512    |     | BOLT                |
| 33    | 73680500    |     | SUB= 73690500       |
| 34    | 122424X     |     | SUB= 149001         |
| 35    | 120183X     |     | NYLON BEARING       |
| 36    | 19211616    |     | WASHER LT           |
| 37    | 1572H       |     | SUB= 2882J          |
| 38    | 123674X     |     | PULLEY.IDLER.FLAT   |
| 39    | 74760644    |     | BOLT                |
| 40    | 4470J       |     | SPACER T            |
| 41    | 109070X     |     | BELT KEEPER LT      |
| 42    | 19131312    |     | WASHER              |
| 43    | 73680600    |     | SUB= 73690600       |
| 44    | 105706X     |     | "LY, BEARING"       |
| 45    | 110812X     |     | WASHER LT           |
| 46    | 12000039    |     | KLIP RING           |
| 47    | 127783      |     | SUB= 139245         |
| 48    | 123789X     |     | ARM IDLER           |
| 49    | 123205X     |     | RETAIN BELT         |
| 50    | 74760624    |     | SUB= 74930624       |
| 51    | 73680600    |     | SUB= 73690600       |
| 52    | 19131316    |     | WASHER              |
| 53    | 105710X     |     | "LINK, CLUTCH T"    |
| 54    | 76020412    |     | COTTER PIN          |
| 55    | 105709X     |     | "SPRING, RETURN LT" |
| 56    | 76020412    |     | COTTER PIN          |
| 57    | 130801      |     | SUB= 138255         |
| 58    | 127274X     |     | "KEEPER,BELT RH T"  |

| Ref # | Part Number | Qty | Description       |
|-------|-------------|-----|-------------------|
| 59    | 104777X     |     | SUB= 140312       |
| 60    | 19131312    |     | WASHER            |
| 61    | 17490612    |     | SCREW             |
| 62    | 8883R       |     | PEDAL COVER T     |
| 63    | 134825      |     | SUB= 136004       |
| 64    | 71170764    |     | BOLT              |
| 65    | 10040700    |     | LOCKWASHER        |
| 66    | 129921      |     | KEEPER.BELT.ENG.L |
| 67    | 74760616    |     | BOLT              |
| 68    | 19131312    |     | WASHER            |
| 69    | 73680600    |     | SUB= 73690600     |
| 70    | 134683      |     | KEEPER BELT ENG   |
| 71    | 74760616    |     | BOLT              |
| 72    | 19132012    |     | WASHER            |
| 73    | 73680600    |     | SUB= 73690600     |
| 74    | 109502X     |     | SPACER LT         |
| 75    | 121749X     |     | WASHER            |
| 76    | 12000001    |     | E-RING LT         |
| 77    | 123583X     |     | SQUARE KEY        |
| 78    | 121748X     |     | WASHER            |
| 80    | 2228M       |     | SUB= 2228M1       |
| 81    | 2751R       |     | CLIP T            |
| 82    | 17490612    |     | SCREW             |



### 12.5 HP 42" TRACTOR -- MODEL NUMBER RE12542A

#### ELECTRICAL



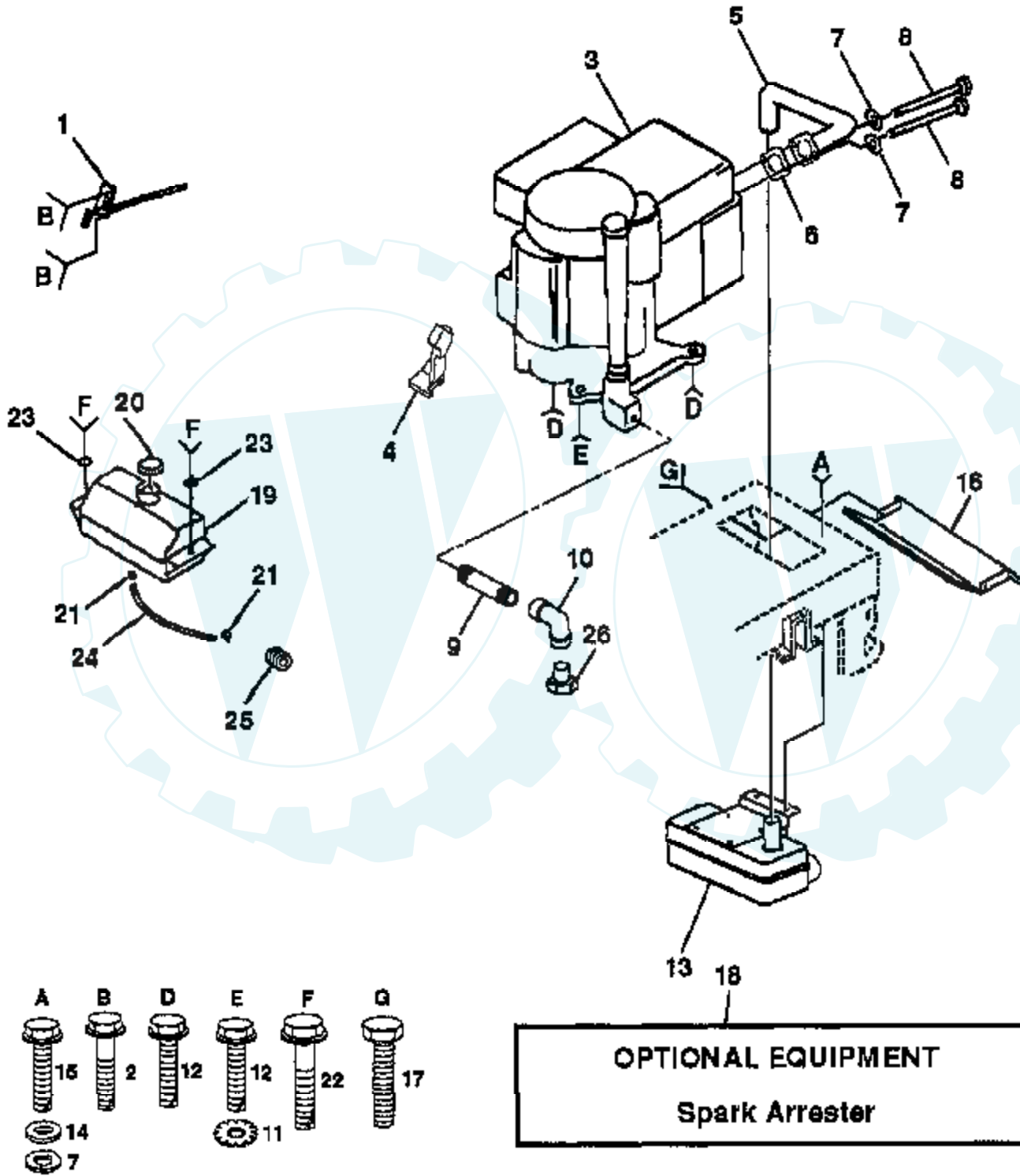


| Ref # | Part Number | Qty | Description            |
|-------|-------------|-----|------------------------|
| 1     | 121265X2    |     | BATTERY 12 VOLT 25 AMP |

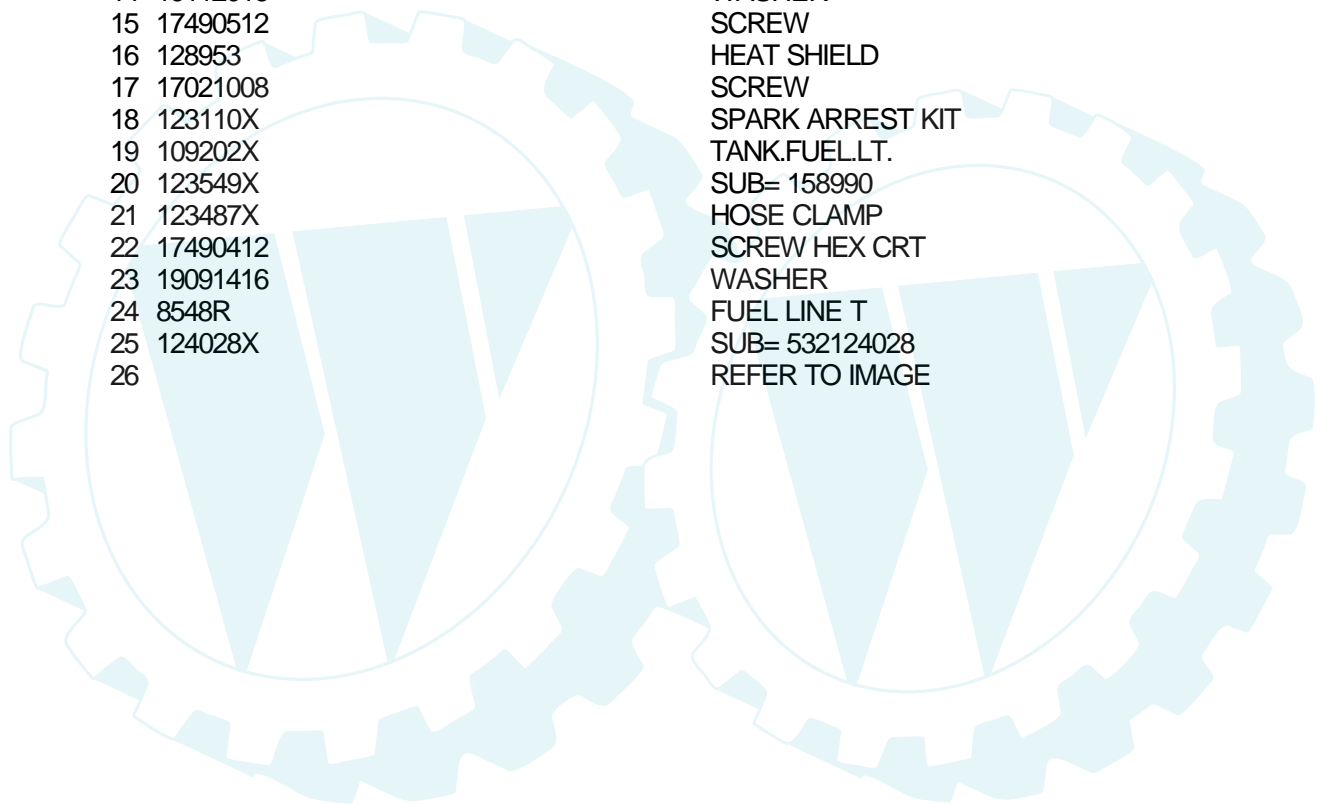


**12.5 HP 42" TRACTOR - - MODEL NUMBER RE12542A**

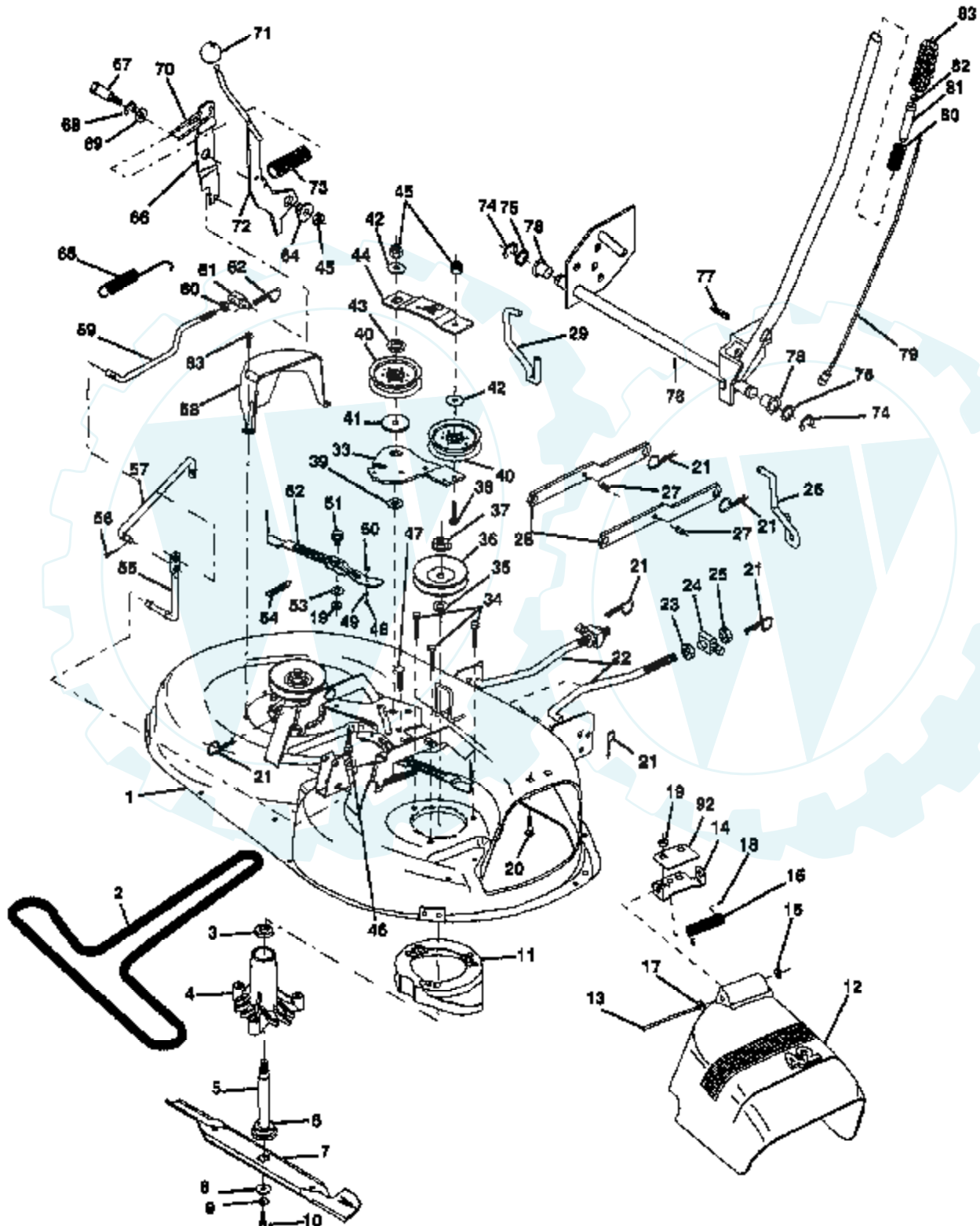
**ENGINE**



| Ref # | Part Number | Qty | Description      |
|-------|-------------|-----|------------------|
| 1     | 132623      |     | SUB= 532132623   |
| 2     | 17720410    |     | SCREW LT         |
| 3     |             |     | REFER TO IMAGE   |
| 4     | 133097      |     | SUB= 532133097   |
| 5     | 123074X     |     | PIPE EXHAUST     |
| 6     | 122593X     |     | SUB= 272293      |
| 7     | 10040500    |     | LOCKWASHER       |
| 8     | 71070510    |     | SCREW LT         |
| 9     | 13280324    |     | PIPE NIPPLE      |
| 10    | 13200300    |     | ELBOW            |
| 11    | 11050600    |     | LOCKWASHER       |
| 12    | 17490620    |     | SCREW            |
| 13    | 123075X     |     | MUFFLER EUROPE   |
| 14    | 19112016    |     | WASHER           |
| 15    | 17490512    |     | SCREW            |
| 16    | 128953      |     | HEAT SHIELD      |
| 17    | 17021008    |     | SCREW            |
| 18    | 123110X     |     | SPARK ARREST KIT |
| 19    | 109202X     |     | TANK.FUEL.LT.    |
| 20    | 123549X     |     | SUB= 158990      |
| 21    | 123487X     |     | HOSE CLAMP       |
| 22    | 17490412    |     | SCREW HEX CRT    |
| 23    | 19091416    |     | WASHER           |
| 24    | 8548R       |     | FUEL LINE T      |
| 25    | 124028X     |     | SUB= 532124028   |
| 26    |             |     | REFER TO IMAGE   |

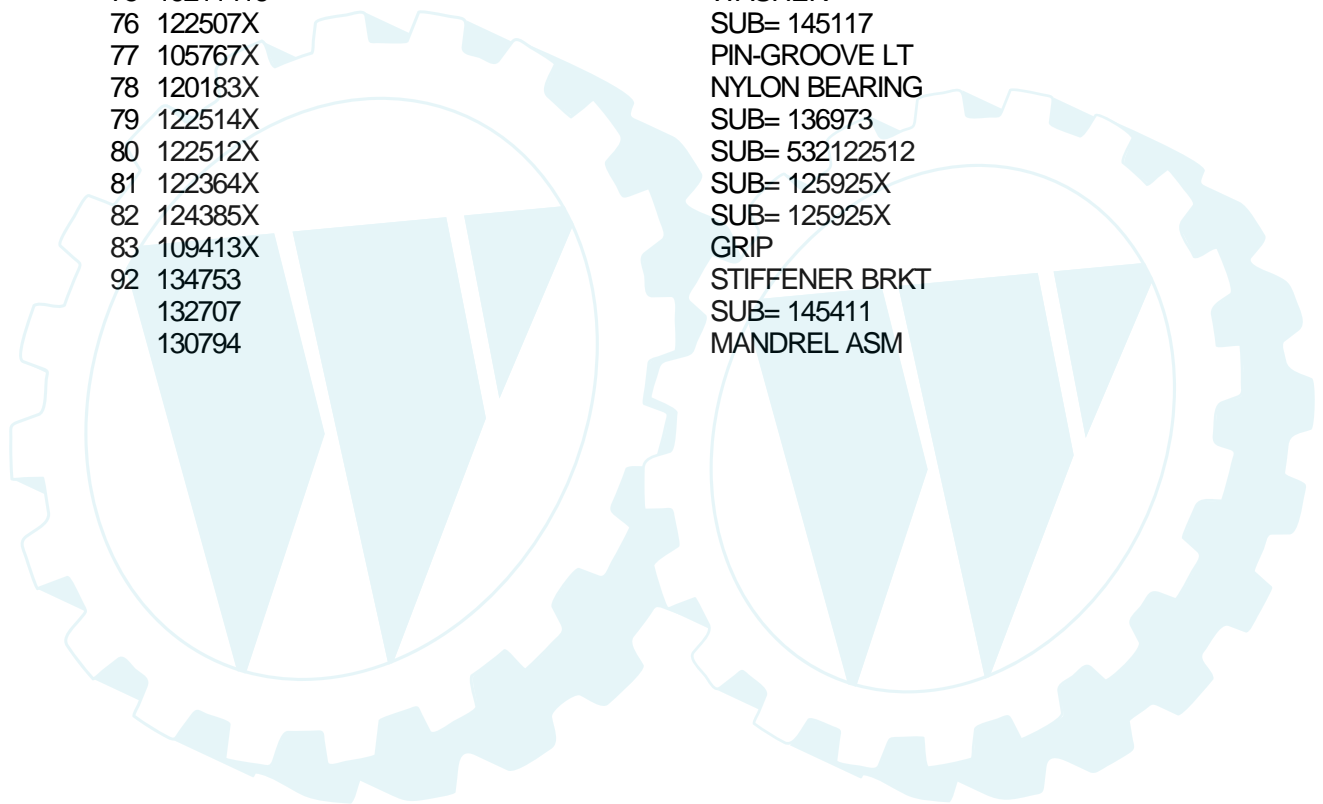


**12.5 HP 42" TRACTOR - - MODEL NUMBER RE12542A**  
**42" MOWER DECK**



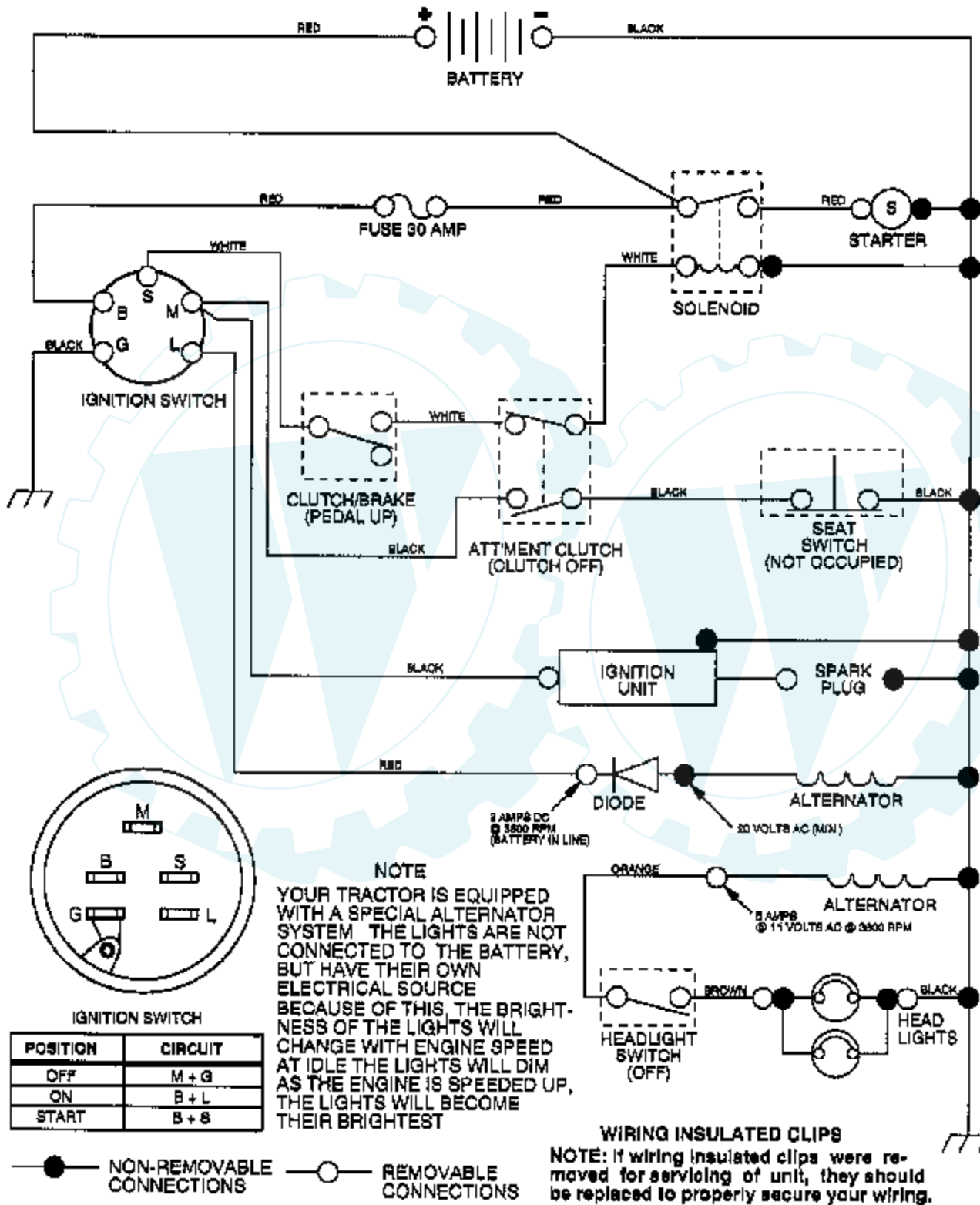
| Ref # | Part Number | Qty | Description       |
|-------|-------------|-----|-------------------|
| 1     | 130970      |     | SUB= 145338       |
| 2     | 130969      |     | BELT-V.92.4.MWR   |
| 3     | 110485X     |     | BEARING           |
| 4     | 128774      |     | HSG ASM MANDREL   |
| 5     | 133172      |     | SUB= 137646       |
| 6     | 129895      |     | BEARING.BALL      |
| 7     | 127843      |     | SUB= 138498       |
| 8     | 129962      |     | WASHER BLADE      |
| 9     | 10030600    |     | SUB= 10040600     |
| 10    | 850857      |     | BLADE BOLT        |
| 11    | 128961      |     | SUB= 140329       |
| 12    | 130968      |     | DEFLECTOR.SHIELD  |
| 13    | 131491      |     | HINGE ROD         |
| 14    | 131267      |     | DEFLECTOR BRKT    |
| 15    | 110452X     |     | NUT PUSH M        |
| 16    | 123713X     |     | SPRING TORSION    |
| 17    | 19111016    |     | WASHER            |
| 18    | 105304X     |     | CAP-SLEEVE LT     |
| 19    | 73680500    |     | SUB= 73690500     |
| 20    | 72140506    |     | BOLT              |
| 21    | 4939M       |     | SUB= 85902        |
| 22    | 127218      |     | LINK.FRONT        |
| 23    | 73350800    |     | NUT               |
| 24    | 130171      |     | TRUNION           |
| 25    | 73800800    |     | NUT.LK.W/WSH.1/2. |
| 26    | 135388      |     | LIFT LINK RH      |
| 27    | 135563      |     | "PIN,SPRING"      |
| 28    | 130833      |     | SUSP ARM ASM REAR |
| 29    | 134619      |     | LINK LIFT LH      |
| 33    | 133844      |     | IDLER ARM         |
| 34    | 78158       |     | SUB= 17580520     |
| 35    | 129963      |     | WASHER            |
| 36    | 129861      |     | SUB= 153535       |
| 37    | 73050900    |     | SUB= 139729       |
| 38    | 72110614    |     | BOLT              |
| 39    | 133943      |     | HARDENED WASHER   |
| 40    | 131494      |     | FLAT IDLER PULLEY |
| 41    | 122052X     |     | SPACER RETAINER   |
| 42    | 19131612    |     | WASHER GT         |
| 43    | 133502      |     | RETAINER SPACER   |
| 44    | 133503      |     | IDLER ARM STIFF   |
| 45    | 73680600    |     | SUB= 73690600     |
| 46    | 72110618    |     | BOLT CARRIAGE     |
| 47    | 133835      |     | XMAS TREE FASTNER |
| 48    | 131340      |     | SHOULDER BOLT     |
| 49    | 133940      |     | SUB= 151785       |
| 50    | 69180       |     | LOCKNUT           |
| 51    | 105529X     |     | SUB= 139888       |
| 52    | 131845      |     | BRAKE PAD ARM ASM |
| 53    | 133944      |     | HARD SMALL WASHER |
| 54    | 131335      |     | SPRING EXTENSION  |
| 55    | 133551      |     | PIVOT ROD         |
| 56    | 76020312    |     | SUB= 3145         |
| 57    | 133504      |     | CLUTCH ROD SECOND |
| 58    | 131857      |     | SUB= 140088       |
| 59    | 133550      |     | SUB= 142427       |
| 60    | 73350600    |     | NUT               |
| 61    | 133205      |     | TRUNION           |

| Ref # | Part Number | Qty | Description       |
|-------|-------------|-----|-------------------|
| 62    | 4497H       |     | RETAINER M        |
| 63    | 17720410    |     | SCREW LT          |
| 64    | 127498      |     | BUSHING           |
| 65    | 131870      |     | RETURN SPRING     |
| 66    | 127847      |     | CLUTCH ARM SECOND |
| 67    | 128903      |     | SHOULDER BOLT     |
| 68    | 12000029    |     | RING              |
| 69    | 121748X     |     | WASHER            |
| 70    | 127845      |     | SPRING KEEPER     |
| 71    | 7803J       |     | SUB= 106932X      |
| 72    | 133573      |     | CLUTCH ARM PRI AS |
| 73    | 128759      |     | SUB= 918128759    |
| 74    | 12000002    |     | SUB= 2225J        |
| 75    | 19211416    |     | WASHER            |
| 76    | 122507X     |     | SUB= 145117       |
| 77    | 105767X     |     | PIN-GROOVE LT     |
| 78    | 120183X     |     | NYLON BEARING     |
| 79    | 122514X     |     | SUB= 136973       |
| 80    | 122512X     |     | SUB= 532122512    |
| 81    | 122364X     |     | SUB= 125925X      |
| 82    | 124385X     |     | SUB= 125925X      |
| 83    | 109413X     |     | GRIP              |
| 92    | 134753      |     | STIFFENER BRKT    |
|       | 132707      |     | SUB= 145411       |
|       | 130794      |     | MANDREL ASM       |



# TRACTOR - MODEL NUMBER RE12542A

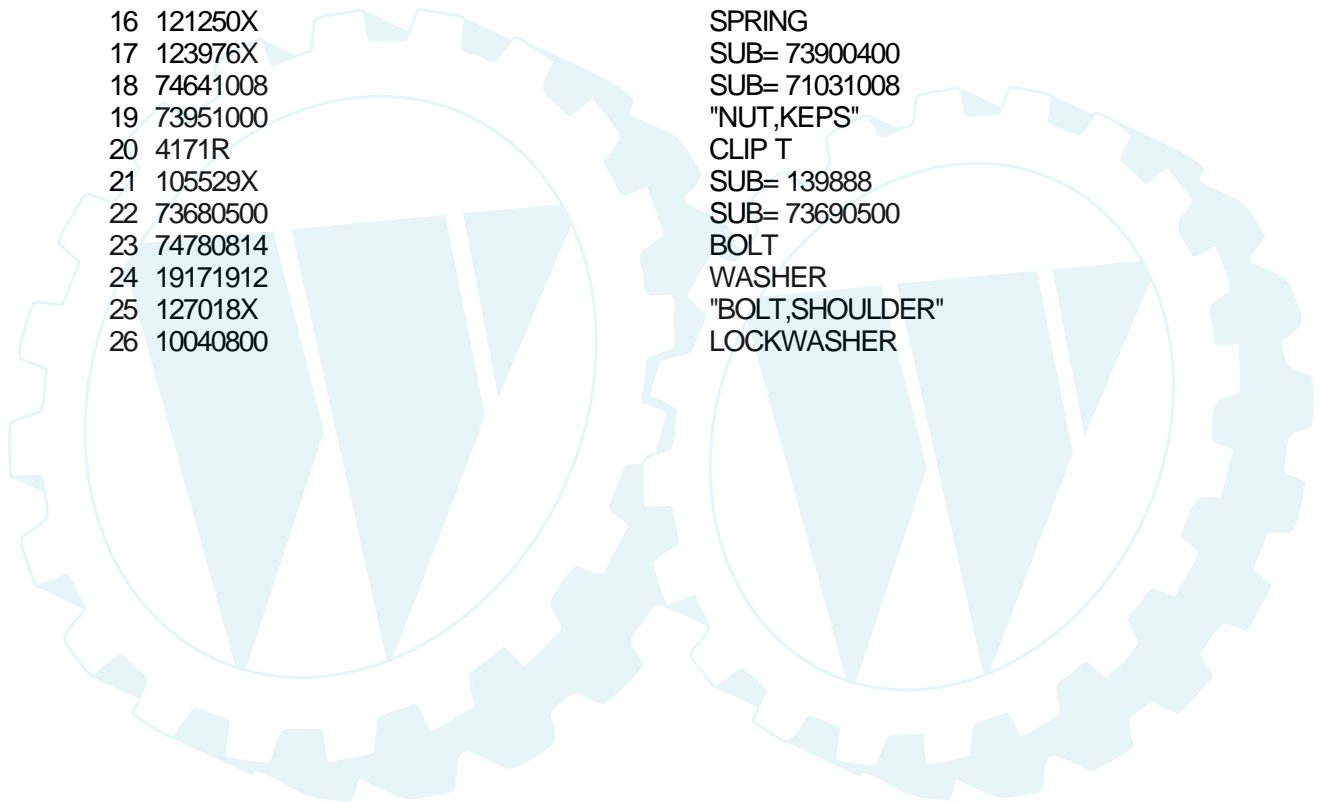
## SCHEMATIC





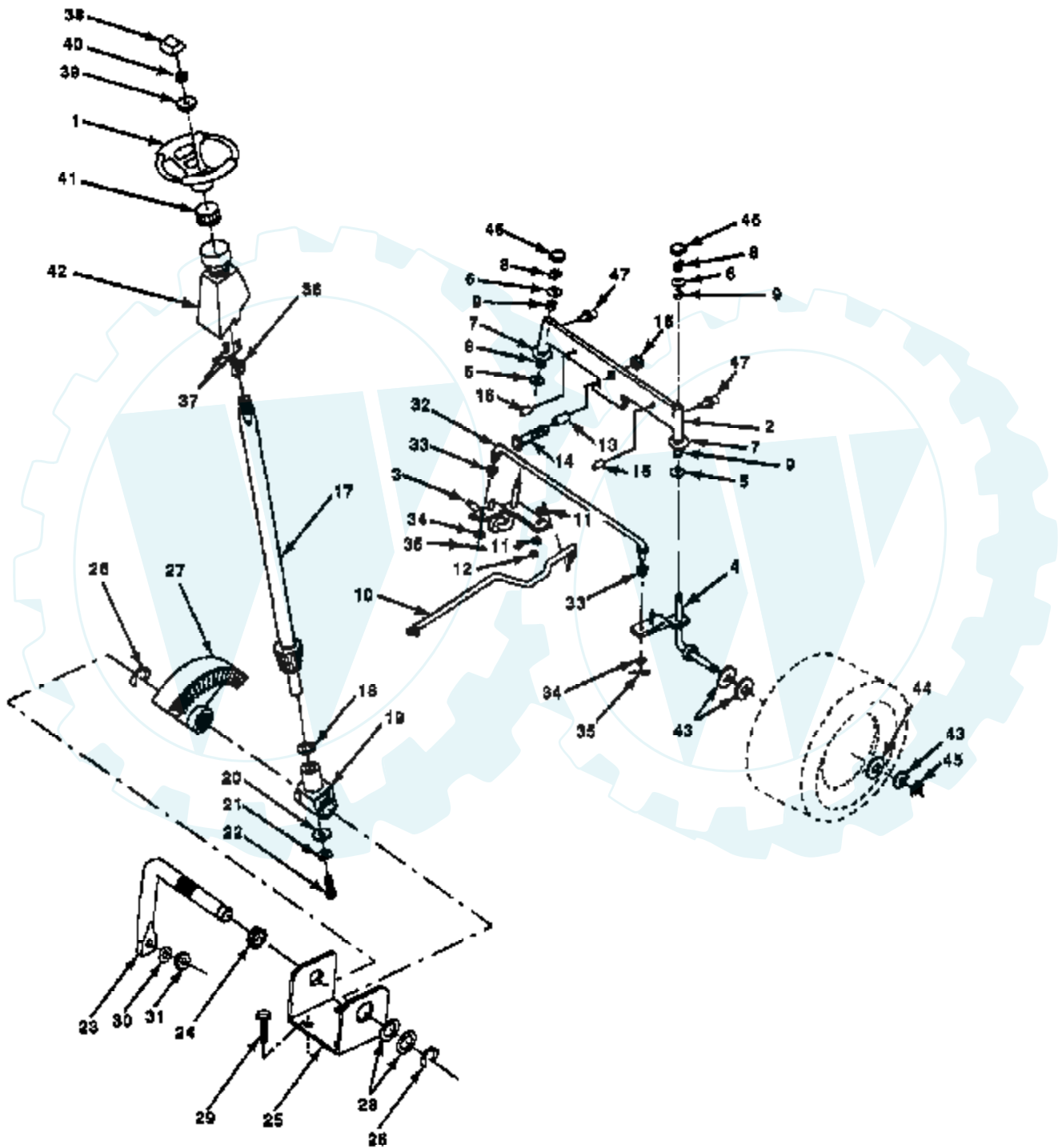


| Ref # | Part Number | Qty | Description       |
|-------|-------------|-----|-------------------|
| 1     | 127424X     |     | SUB= 140121       |
| 2     | 126656X     |     | SUB= 140551       |
| 3     | 74760612    |     | SUB= 74780612     |
| 4     | 19131210    |     | WASHER            |
| 6     | 73680600    |     | SUB= 73690600     |
| 7     | 124181X     |     | SPRING COMPRESSIO |
| 8     | 17490616    |     | SCREW GTV         |
| 9     | 19131614    |     | WASHER            |
| 10    | 131451      |     | SUB= 155925       |
| 11    | 121251X     |     | STRIP FORM        |
| 12    | 121246X     |     | BRKT SWITCH       |
| 13    | 121248X     |     | BUSHING           |
| 14    | 72050411    |     | SUB= 872050411    |
| 15    | 121249X     |     | SPACER SPLIT      |
| 16    | 121250X     |     | SPRING            |
| 17    | 123976X     |     | SUB= 73900400     |
| 18    | 74641008    |     | SUB= 71031008     |
| 19    | 73951000    |     | "NUT,KEPS"        |
| 20    | 4171R       |     | CLIP T            |
| 21    | 105529X     |     | SUB= 139888       |
| 22    | 73680500    |     | SUB= 73690500     |
| 23    | 74780814    |     | BOLT              |
| 24    | 19171912    |     | WASHER            |
| 25    | 127018X     |     | "BOLT,SHOULDER"   |
| 26    | 10040800    |     | LOCKWASHER        |



### 12.5 HP 42" TRACTOR - - MODEL NUMBER RE12542A

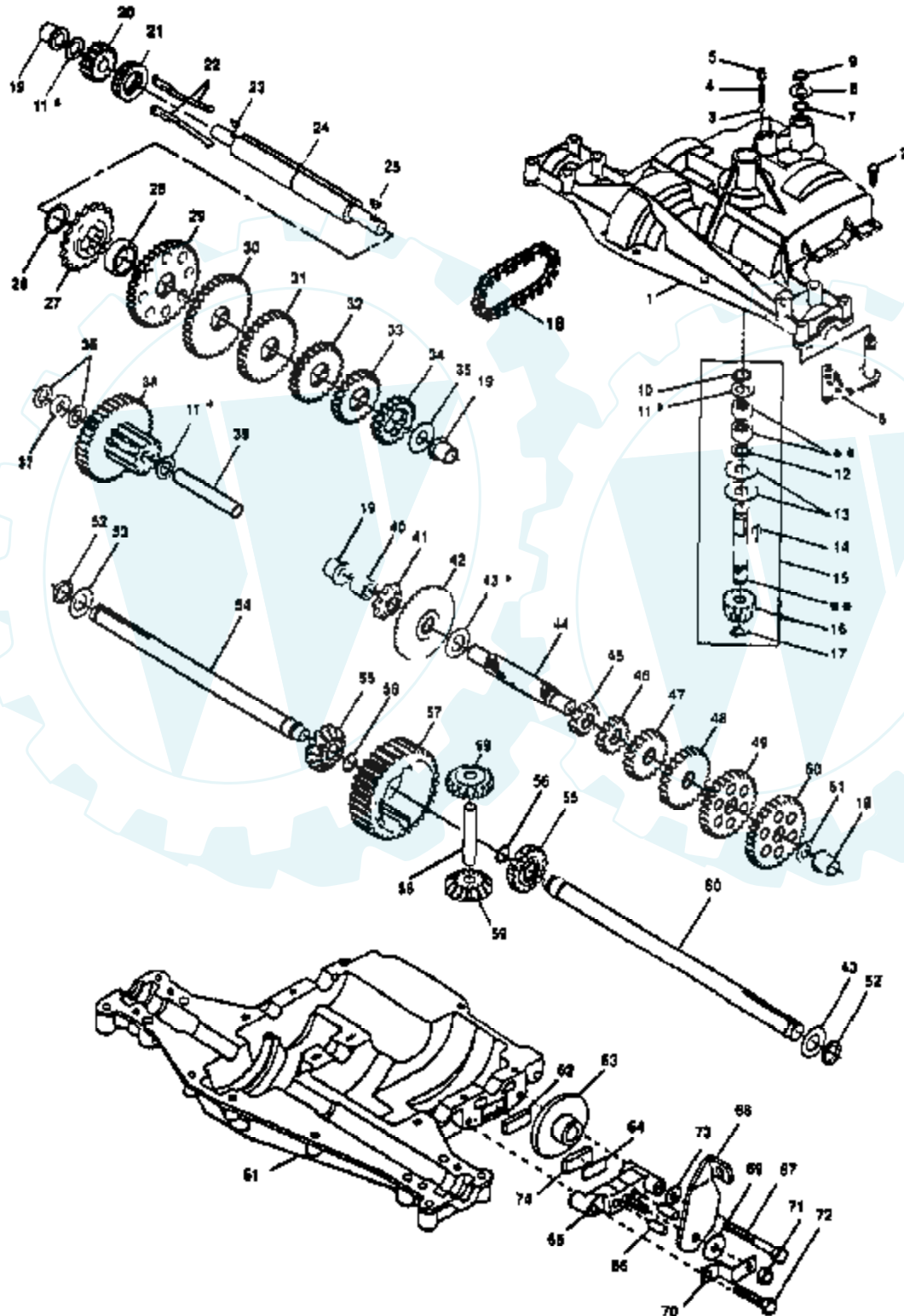
#### STEERING ASSEMBLY



| Ref # | Part Number | Qty | Description       |
|-------|-------------|-----|-------------------|
| 1     | 133741      |     | SUB= 150547       |
| 2     | 131450      |     | SUB= 142033       |
| 3     | 135227      |     | SPINDLE LH        |
| 4     | 135228      |     | SPINDLE RH        |
| 5     | 6266H       |     | WASHER .T         |
| 6     | 121748X     |     | WASHER            |
| 7     | 19272016    |     | WASHER            |
| 8     | 12000029    |     | RING              |
| 9     | 3366R       |     | COL. SRTG. BEAR.  |
| 10    | 130468      |     | SUB= 532130468    |
| 11    | 10040600    |     | LOCKWASHER        |
| 12    | 73610600    |     | SUB= 7810H        |
| 13    | 110438X     |     | BEARING           |
| 14    | 74011056    |     | BOLT HEX 5/8-11   |
| 15    | 73601000    |     | SUB= 73901000     |
| 16    | 132624      |     | AXLE PIN          |
| 17    | 132614      |     | SHAFT ASM         |
| 18    | 57079       |     | THRUST WASHER     |
| 19    | 124035X     |     | SUPPORT.SHAFT     |
| 20    | 126684X     |     | SUB= 532126684    |
| 21    | 10040400    |     | LOCKWASHER        |
| 22    | 71070410    |     | "SCREW,SPECIAL"   |
| 23    | 127501      |     | SUB= 918127501    |
| 24    | 109816X     |     | NYLINER T         |
| 25    | 124036X     |     | "BRKT,STEERING"   |
| 26    | 12000029    |     | RING              |
| 27    | 124034X     |     | SUB= 136874       |
| 28    | 6266H       |     | WASHER .T         |
| 29    | 17490612    |     | SCREW             |
| 30    | 10040600    |     | LOCKWASHER        |
| 31    | 73610600    |     | SUB= 7810H        |
| 32    | 130465      |     | TIE ROD           |
| 33    | 126847X     |     | BUSHING.DRAGLINK  |
| 34    | 19131416    |     | WASHER            |
| 35    | 76020412    |     | COTTER PIN        |
| 36    | 132196      |     | SUB= 155106       |
| 37    | 17431008    |     | SUB= 98000165     |
| 38    | 133742      |     | ST WHL INSERT CAP |
| 39    | 19133808    |     | WASHER T          |
| 40    | 7810H       |     | GRIPCO NUT        |
| 41    | 104820X     |     | ADAPTER-WHEEL LT  |
| 42    | 124418X     |     | "TUBE, STR SHAFT" |
| 43    | 121749X     |     | WASHER            |
| 44    | 121748X     |     | WASHER            |
| 45    | 12000029    |     | RING              |
| 46    | 121232X     |     | CAP               |
| 47    | 6855M       |     | ZERK M            |

**12.5 HP 42" TRACTOR - - MODEL NUMBER RE12542A**  
**TRANSAXLE FOOTE-DANA - MODEL NUMBER 4360-07**

**TRANSAXLE**

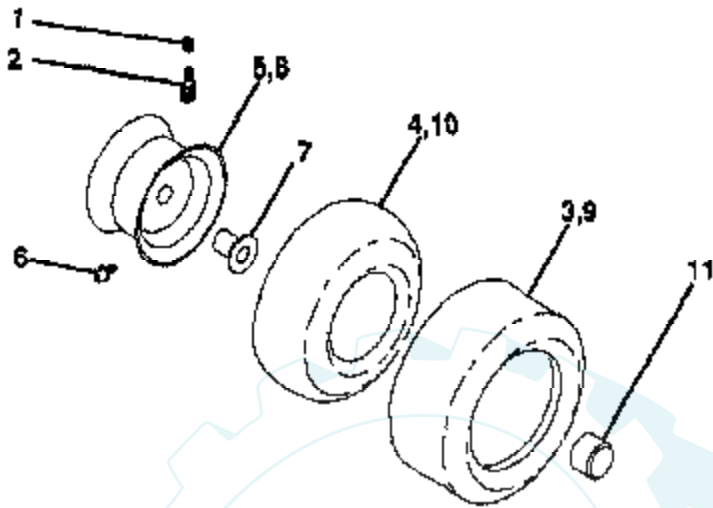


| Ref # | Part Number | Qty | Description                      |
|-------|-------------|-----|----------------------------------|
| 1     | 3865        |     | HOUSING UPPER                    |
| 2     | 1919        |     | SCREW                            |
| 3     | 1151        |     | BALL DETENT                      |
| 4     | 3626        |     | SPRING, DETENT                   |
| 5     | 3623        |     | SCREW, SET                       |
| 6     | 4336        |     | ASSY SHIFTER                     |
| 7     | 3884        |     | O-RING                           |
| 8     | 3885        |     | WASHER PLAIN                     |
|       | 3886        |     | WASHER PLAIN                     |
|       | 3887        |     | WASHER PLAIN                     |
|       | 3888        |     | WASHER PLAIN                     |
|       | 3889        |     | WASHER PLAIN                     |
|       | 3121        |     | WASHER PLAIN                     |
|       | 3890        |     | WASHER PLAIN                     |
| 9     | 1100        |     | RING RETAINING                   |
| 10    | 1099        |     | RING RETAINING                   |
| 11    | 1959        |     | WASHER PLAIN                     |
|       | 1441        |     | WASHER PLAIN                     |
|       | 1423        |     | WASHER, PLAIN .632 X 1.00 X .026 |
|       | 1082        |     | WASHER PLAIN                     |
|       | 1424        |     | WASHER PLAIN                     |
|       | 1068        |     | WASHER PLAIN                     |
|       | 1425        |     | WASHER PLAIN                     |
|       | 1358        |     | WASHER PLAIN                     |
|       | 1145        |     | WASHER, PLAIN .632 X 1.00 X .060 |
|       | 1319        |     | WASHER PLAIN                     |
| 12    | 3312        |     | O-RING                           |
| 13    | 3876        |     | WASHER, PLAIN .632 X 1.38 X .046 |
| 14    | 1374        |     | KEY WOODRUFF #9                  |
| 15    | 4134        |     | ASSY KIT INPUT SHAFT             |
| 16    | 3590        |     | PINION, BEVEL, 14 TEETH          |
| 17    | 3624        |     | RING, RETAINING                  |
| 18    | 3625        |     | CHAIN, 24 PITCHES                |
| 19    | 1542        |     | BEARING, FLANGE                  |
| 20    | 3773        |     | GEAR SPUR, 14 TEETH              |
| 21    | 3631        |     | COLLAR CLUTCH                    |
| 22    | 3828        |     | KEY CLUTCH                       |
| 23    | 1369        |     | KEY WOODRUFF #3                  |
| 24    | 3883        |     | SHAFT INTERMEDIATE               |
| 25    | 1375        |     | KEY, WOODRUFF, #61               |
| 26    | 3627        |     | RING, RETAINING                  |
| 27    | 3830        |     | SPROCKET, 18 TEETH               |
| 28    | 3841        |     | SPACER                           |
| 29    | 3786        |     | GEAR, SPUR, 37 TEETH             |
| 30    | 3785        |     | GEAR, SPUR, 35 TEETH             |
| 31    | 3867        |     | GEAR, SPUR, 30 TEETH             |
| 32    | 3783        |     | GEAR, SPUR, 25 TEETH             |
| 33    | 3869        |     | GEAR, SPUR, 22 TEETH             |
| 34    | 3741        |     | GEAR SPUR                        |
| 35    | 3628        |     | WASHER, PLAIN .640 X 1.37 X .061 |
| 36    | 1423        |     | WASHER, PLAIN .632 X 1.00 X .026 |
| 37    | 3422        |     | SPACER .630 X 1.00 X .169        |
| 38    | 4286        |     | ASSY GEAR COMB 12&35 TEETH       |
| 39    | 3877        |     | SHAFT IDLER                      |
| 40    | 3901        |     | SPACER .635 X .875 X .755        |
| 41    | 3645        |     | SPROCKET, 9 TEETH                |
| 42    | 3853        |     | GEAR BEVEL 42 TEETH              |
| 43    | 3749        |     | WASHER PLAIN                     |

| Ref # | Part Number | Qty | Description                      |
|-------|-------------|-----|----------------------------------|
|       | 3652        |     | WASHER PLAIN                     |
|       | 3693        |     | WASHER PLAIN                     |
|       | 3653        |     | WASHER PLAIN                     |
|       | 3408        |     | WASHER PLAIN                     |
|       | 3732        |     | WASHER PLAIN                     |
|       | 3184        |     | WASHER, PLAIN .758 X 1.25 X .031 |
|       | 3733        |     | WASHER PLAIN                     |
|       | 3198        |     | WASHER PLAIN                     |
|       | 3734        |     | WASHER PLAIN                     |
|       | 3735        |     | WASHER PLAIN                     |
|       | 3736        |     | WASHER PLAIN                     |
|       | 3180        |     | WASHER PLAIN                     |
| 44    | 3882        |     | SHAFT, DRIVE                     |
| 45    | 3646        |     | GEAR, SPUR, 12 TEETH             |
| 46    | 3707        |     | GEAR SPUR, 15 TEETH              |
| 47    | 3866        |     | GEAR, SPUR, 20 TEETH             |
| 48    | 3719        |     | GEAR, SPUR, 25 TEETH             |
| 49    | 3868        |     | GEAR, SPUR, 28 TEETH             |
| 50    | 3683        |     | GEAR, SPUR, 31 TEETH             |
| 51    | 1145        |     | WASHER, PLAIN .632 X 1.00 X .060 |
| 52    | 3191        |     | SEAL FELT                        |
| 53    | 3180        |     | WASHER PLAIN                     |
| 54    | 3980        |     | AXLE LEFT HAND                   |
| 55    | 3780        |     | GEAR, MITER, 15 TEETH            |
| 56    | 3656        |     | RING, RETAINING                  |
| 57    | 3839        |     | GEAR, SPUR, 32 TEETH             |
| 58    | 3919        |     | SHAFT, CROSS                     |
| 59    | 3781        |     | GEAR, MITER, 15 TEETH            |
| 60    | 3981        |     | AXLE RIGHT HAND                  |
| 61    | 3864        |     | HOUSING LOWER                    |
| 62    | 3920        |     | PUCK, FRICTION                   |
| 63    | 3276        |     | DISC, BRAKE                      |
| 64    | 3758        |     | SPACER                           |
| 65    | 3916        |     | JAW, BRAKE                       |
| 66    | 3843        |     | PIN, DOWEL                       |
| 67    | 3915        |     | SCREW TAPPING                    |
| 68    | 3768        |     | LEVER, ACTUATING                 |
| 69    | 3760        |     | WASHER, PLAIN .321 X 1.00 X .055 |
| 70    | 3917        |     | BRACKET, ANTI-ROTATION           |
| 71    | 3847        |     | LOCKNUT 5/16-24                  |
| 72    | 3724        |     | SCREW TAPPING                    |
| 73    | 3906        |     | WASHER PLAIN                     |
| 74    | 3907        |     | PUCK, FRICTION                   |
| 75    | 4300        |     | GREASE                           |

## 12.5 HP 42" TRACTOR - - MODEL NUMBER RE12542A

### WHEELS & TIRES



**NOTE:** All component dimensions given in U.S. inches - 1  
inch = 25.4 mm.

| Ref # | Part Number | Qty | Description       |
|-------|-------------|-----|-------------------|
| 1     | 59192       |     | VALVE CAP         |
| 2     | 65139       |     | VALVE STEM LT     |
| 3     | 106222X     |     | SUB= 122073X      |
| 4     | 59904       |     | TUBE.5.3/4.5/6    |
| 5     | 106732X311  |     | SUB= 106732X427   |
| 6     | 278H        |     | FITTING LT        |
| 7     | 9040H       |     | "FLANGE, BEARING" |
| 8     | 106108X311  |     | SUB= 106108X427   |
| 9     | 124635X     |     | SUB= 126957X      |
| 10    | 7152J       |     | TUBE.18X9.5-8     |
| 11    | 104757X     |     | HUB CAP           |

