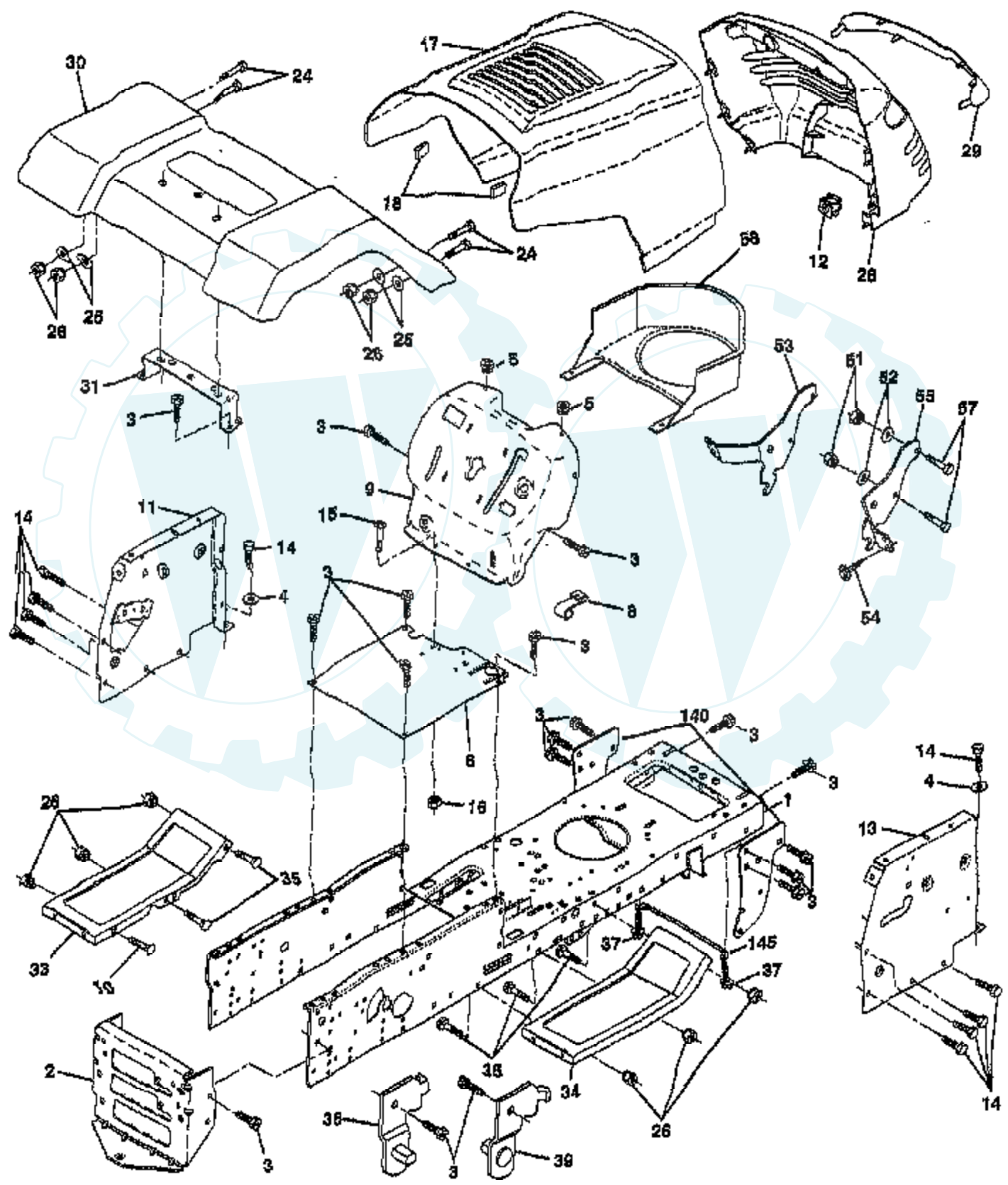


# TRACTOR -- MODEL NUMBER RE12538B

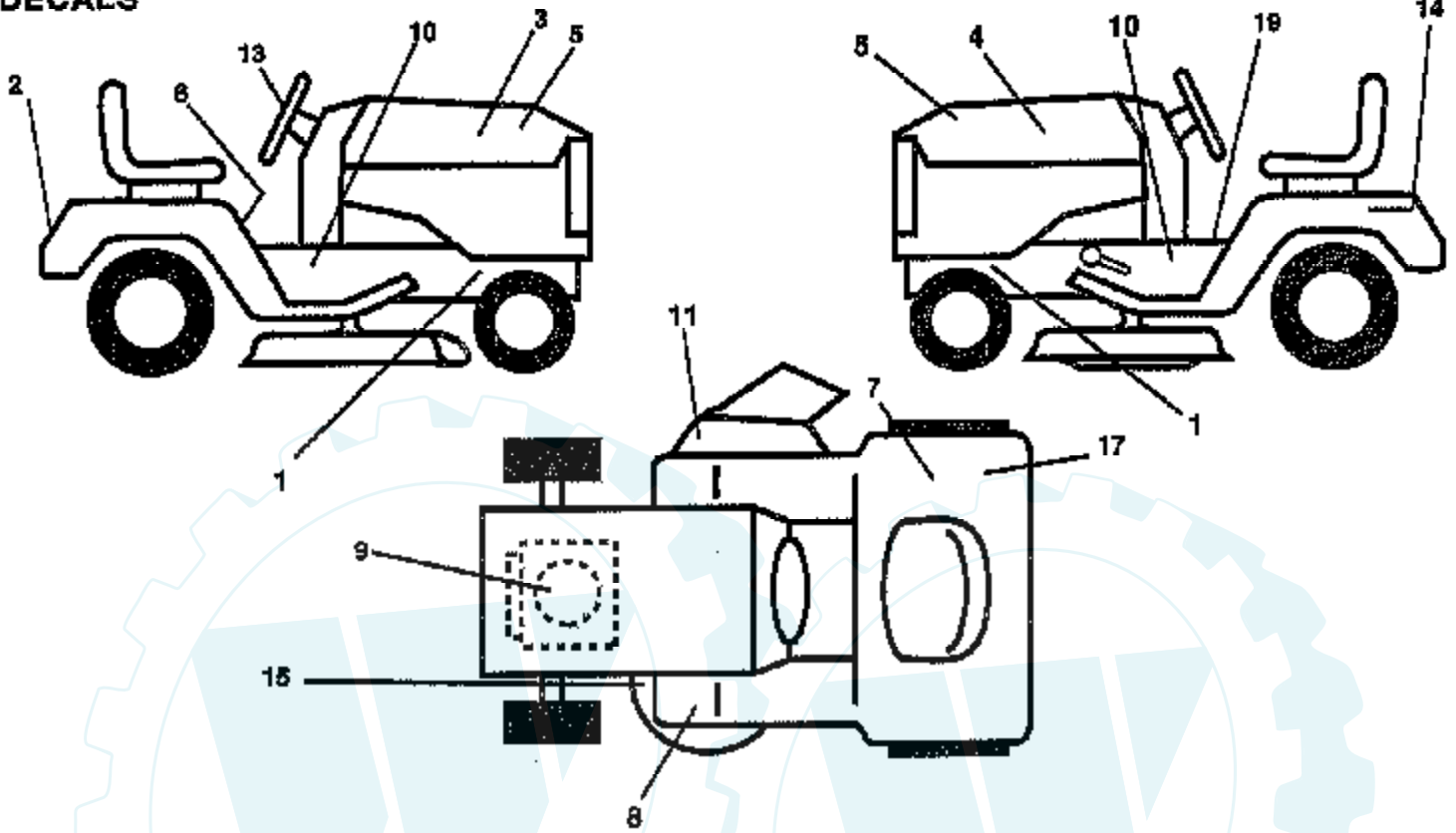
## CHASSIS AND ENCLOSURES



| Ref # | Part Number | Qty | Description         |
|-------|-------------|-----|---------------------|
| 1     | 160393      |     | CHASSIS             |
| 2     | 140356      |     | SUB= 145009         |
| 3     | 17490612    |     | SCREW               |
| 4     | 19131216    |     | WASHER              |
| 5     | 155272      |     | BUMPER-HOOD/DASH    |
| 6     | 155923      |     | SADDLE              |
| 8     | 155138      |     | CLIP.RETAINER       |
| 9     | 161937X011  |     | DASH SILKSCREEN     |
| 10    | 72140608    |     | SUB= 72110608       |
| 11    | 155927      |     | "PANEL-DASH,LH"     |
| 12    | 145660      |     | CLIP.TINNERMAN      |
| 13    | 155934X010  |     | SUB= 169117X010     |
| 14    | 17490608    |     | SCREW LT            |
| 15    | 74180512    |     | SCREW               |
| 16    | 73510500    |     | NUT                 |
| 17    | 159639X505  |     | HOOD.STEEL.ASSY     |
| 18    | 126938X     |     | SUB= 532126938      |
| 24    | 74780616    |     | BOLT                |
| 25    | 19131312    |     | WASHER              |
| 26    | 73800600    |     | NUT                 |
| 28    | 157373      |     | GRILLE-MS428        |
| 29    | 140273      |     | LENS GRILLE         |
| 30    | 157583X505  |     | FENDER.LT.W/SHIFT   |
| 31    | 136619      |     | BRKT FENDER         |
| 33    | 105476X505  |     | FOOTREST LH         |
| 34    | 105475X505  |     | FOOTREST RH         |
| 35    | 72110606    |     | BOLT                |
| 37    | 17490508    |     | SCREW LT            |
| 38    | 139886      |     | BRACKET ASM LH      |
| 39    | 139887      |     | BRACKET ASM RH      |
| 51    | 73800400    |     | NUT                 |
| 52    | 19091416    |     | WASHER              |
| 53    | 144697      |     | BRACKET.GRILLE.LH   |
| 54    | 161464      |     | SCREW.HEX.WS.HD     |
| 55    | 144696      |     | BRACKET.GRILLE.RH   |
| 57    | 74780412    |     | SUB= 74780414       |
| 58    | 150127      |     | AIR DUCT            |
| 140   | 158418      |     | BRKT SUSPENSION     |
| 145   | 156524      |     | "ROD POVOT,CHASSIS" |
|       | 5479J       |     | PLUG BUTTON T       |

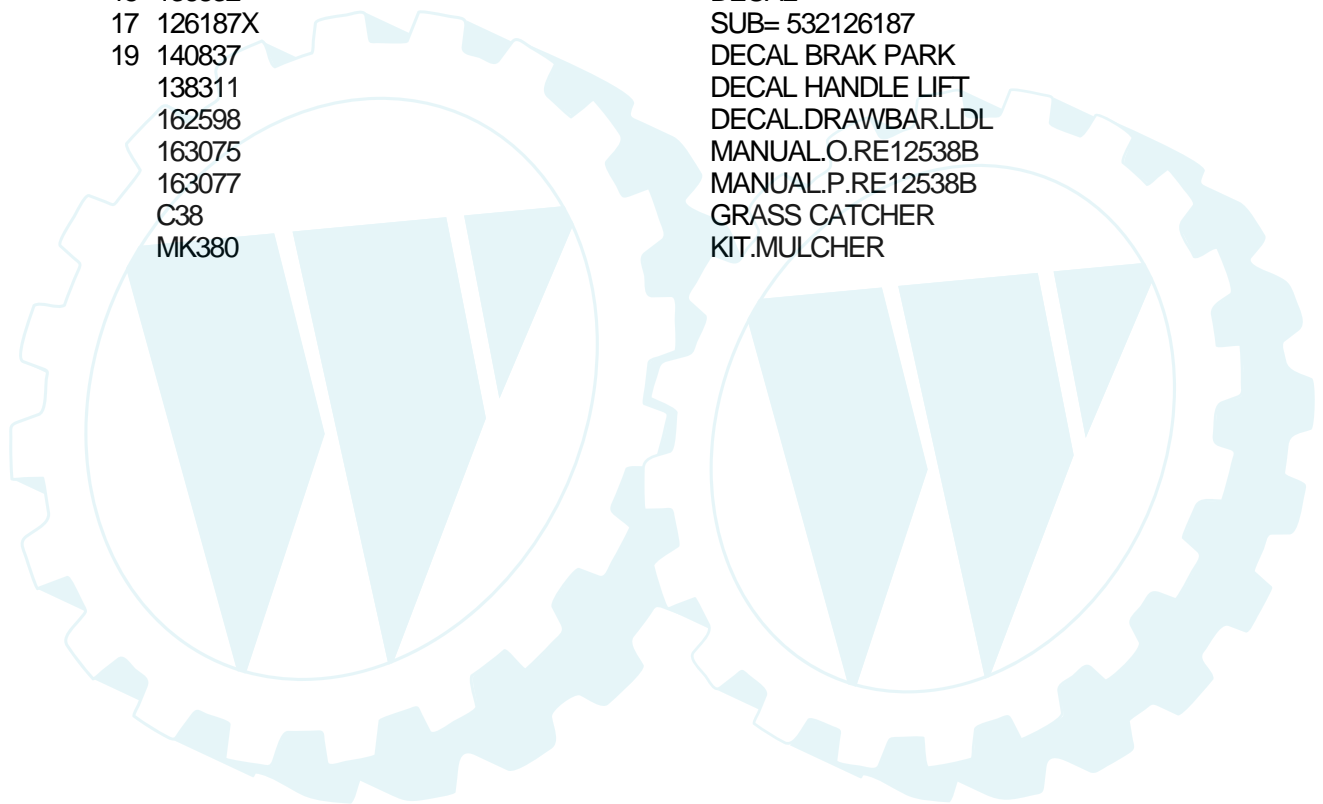
### TRACTOR -- MODEL NUMBER RE12538B

#### DECALS



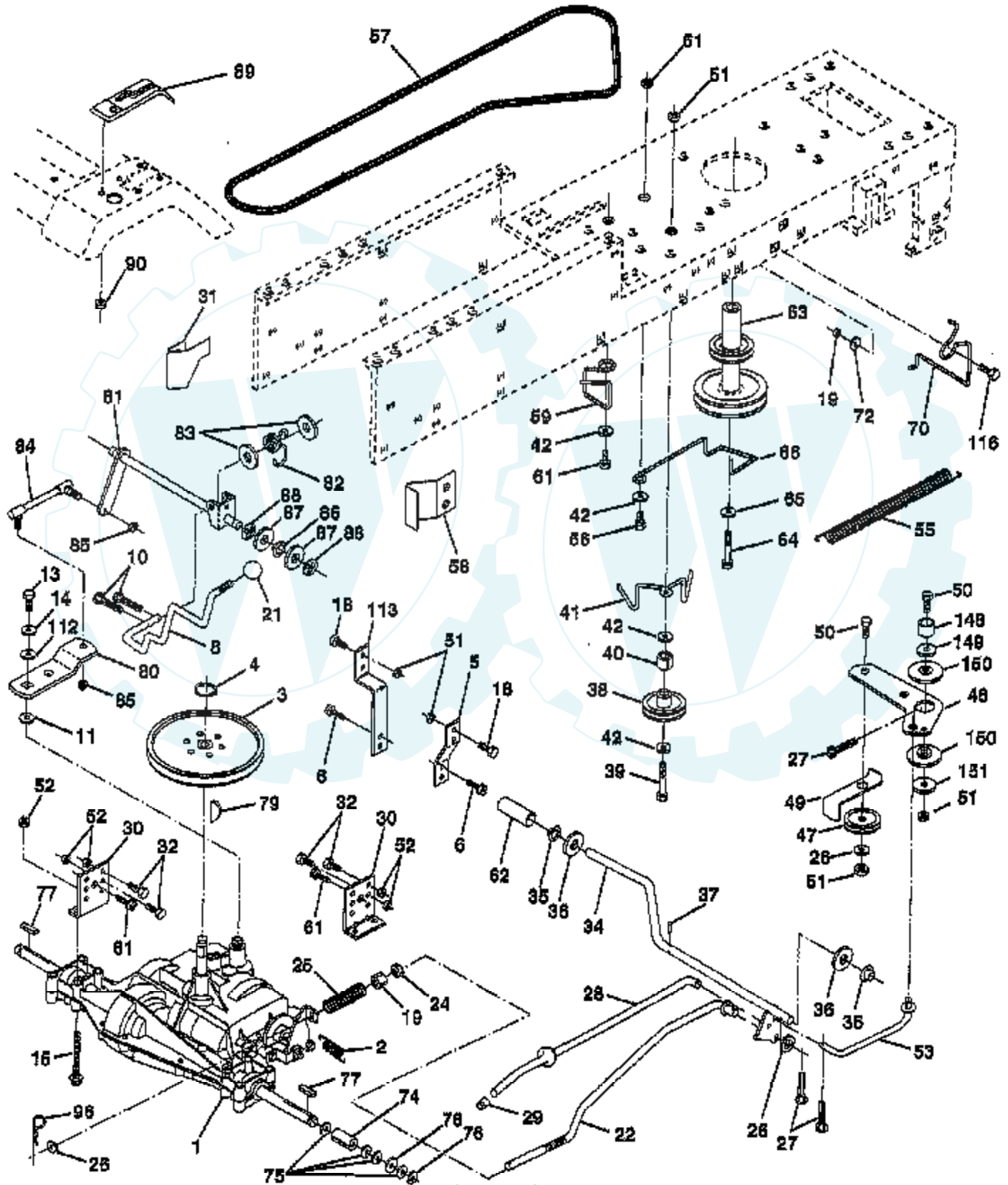
**NOTE:** All component dimensions given in U.S. inches  
1 inch = 25.4 mm

| Ref # | Part Number | Qty | Description              |
|-------|-------------|-----|--------------------------|
| 1     | 159736      |     | "DECAL CHASSIS,HOT"      |
| 2     | 132628      |     | FENDER DECAL             |
| 3     | 153266      |     | DECAL HOOD RH            |
| 4     | 153267      |     | DECAL HOOD LH            |
| 5     | 152786      |     | DECAL.INS.HD.12.5        |
| 6     | 145498      |     | DECAL.READ.O.MANU        |
| 7     | 145437      |     | DECAL.EURO.ST.CE.        |
| 8     | 159737      |     | DECAL-BRAKE/CLUTC        |
| 9     | 272633      |     | DECAL, ENGINE            |
| 10    | 127900      |     | DECAL CHASSIS SPEED DECK |
| 11    | 145494      |     | DECAL.DANGER.CUTF        |
| 13    | 127075      |     | "DECAL,STR WHL"          |
| 14    | 145005      |     | DECAL.BATRY.3-3908       |
| 15    | 136832      |     | DECAL                    |
| 17    | 126187X     |     | SUB= 532126187           |
| 19    | 140837      |     | DECAL BRAK PARK          |
|       | 138311      |     | DECAL HANDLE LIFT        |
|       | 162598      |     | DECAL.DRAWBAR.LDL        |
|       | 163075      |     | MANUAL.O.RE12538B        |
|       | 163077      |     | MANUAL.P.RE12538B        |
|       | C38         |     | GRASS CATCHER            |
|       | MK380       |     | KIT.MULCHER              |



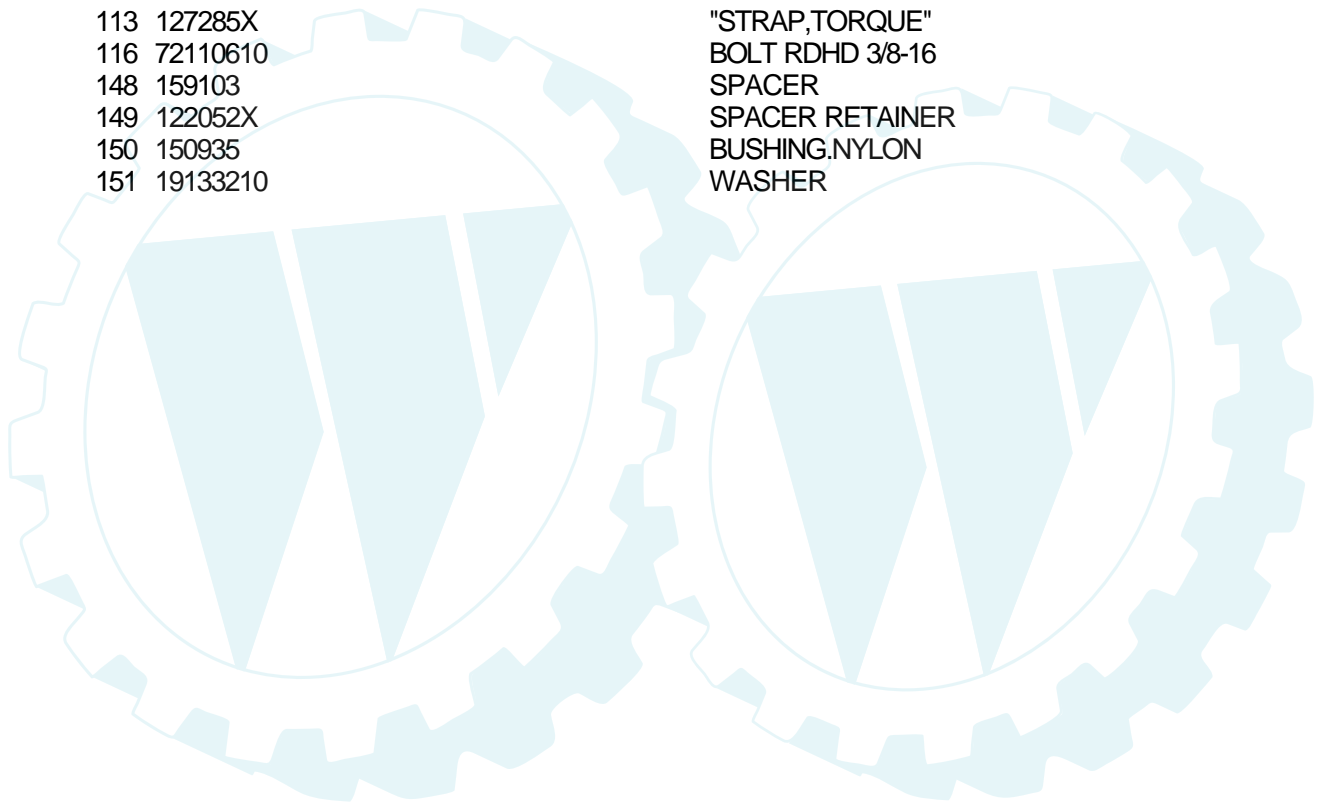
# TRACTOR - - MODEL NUMBER RE12538B

## DRIVE



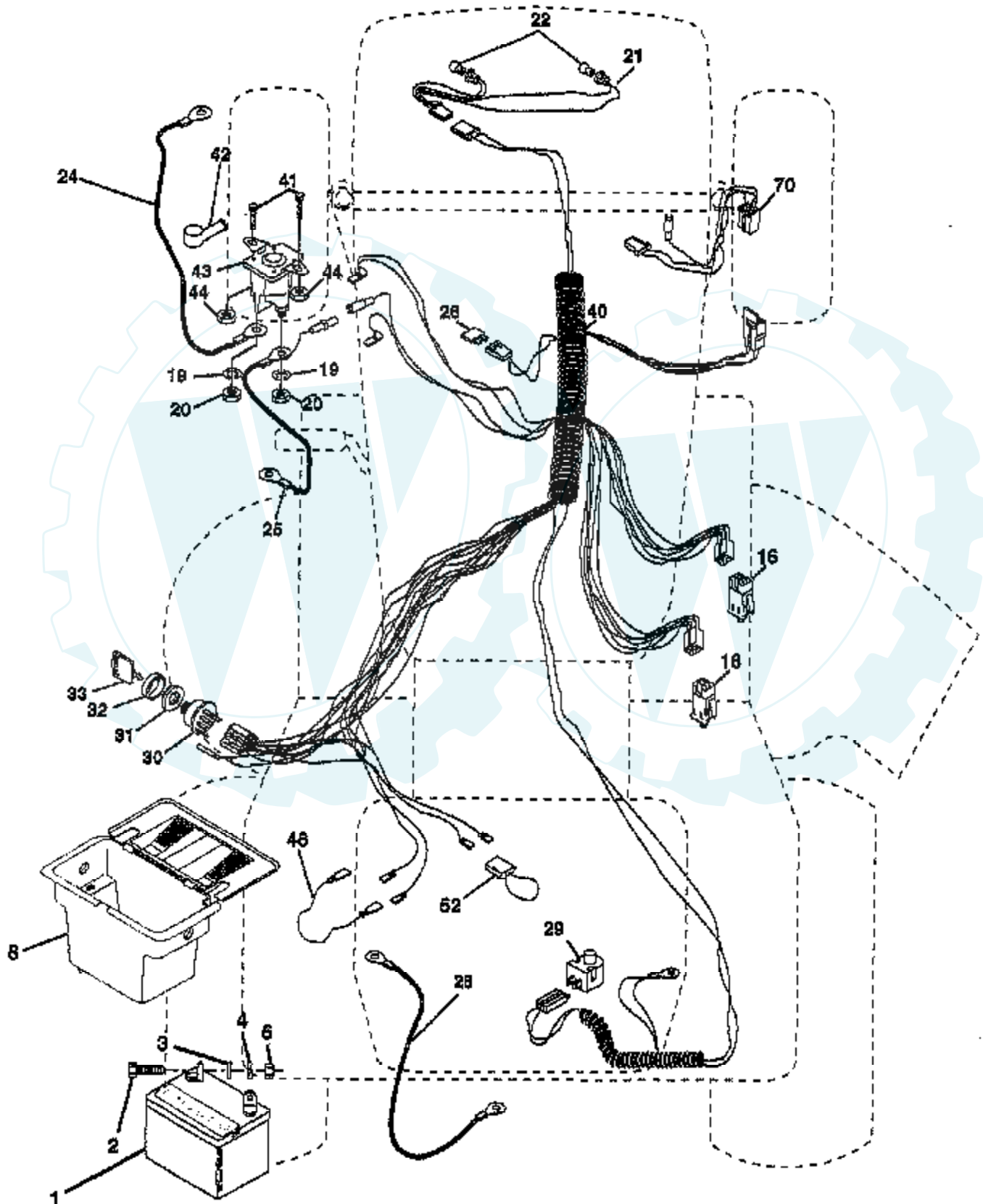
| Ref # | Part Number | Qty | Description         |
|-------|-------------|-----|---------------------|
| 2     | 146682      |     | SPRING.BRAKE.RETU   |
| 3     | 123666X     |     | PULLEY TRANS        |
| 4     | 12000028    |     | SUB= 2267J          |
| 5     | 121520X     |     | STRAP TORQUE        |
| 6     | 17490512    |     | SCREW               |
| 8     | 141003      |     | ROD SHIFT FEND LT   |
| 10    | 76020416    |     | PIN COTTER 1/8      |
| 11    | 105701X     |     | WASH-SHFT PLT LT    |
| 13    | 74550412    |     | BOLT.1/4-28.W/PAT   |
| 14    | 10040400    |     | LOCKWASHER          |
| 15    | 74490544    |     | BOLT.HX.FLG.5/16    |
| 18    | 74780616    |     | BOLT                |
| 19    | 73800600    |     | NUT                 |
| 21    | 106933X     |     | KNOB T (1/2-HOLE)   |
| 22    | 130804      |     | BRAKE ROD           |
| 24    | 73350600    |     | NUT                 |
| 25    | 106888X     |     | SPRING ROD LT       |
| 26    | 19131316    |     | WASHER              |
| 27    | 76020412    |     | COTTER PIN          |
| 28    | 145204      |     | ROD.BRAKE.PARK.LT   |
| 29    | 71673       |     | PLUNGER CAP T       |
| 30    | 130807      |     | TRANSAXLE MTG BKT   |
| 31    | 127275X     |     | "KEEPER,BELT LH T"  |
| 32    | 74760512    |     | BOLT                |
| 34    | 155071      |     | SHAFT ASM-PEDAL F   |
| 35    | 120183X     |     | NYLON BEARING       |
| 36    | 19211616    |     | WASHER LT           |
| 37    | 1572H       |     | SUB= 2882J          |
| 38    | 123674X     |     | PULLEY.IDLER.FLAT   |
| 39    | 74760644    |     | BOLT                |
| 40    | 4470J       |     | SPACER T            |
| 41    | 154777      |     | SUB= 165692         |
| 42    | 19131312    |     | WASHER              |
| 47    | 127783      |     | SUB= 139245         |
| 48    | 154407      |     | BELLCRANK.CLUTCH    |
| 49    | 123205X     |     | RETAIN BELT         |
| 50    | 74760624    |     | SUB= 74930624       |
| 51    | 73680600    |     | SUB= 73690600       |
| 52    | 73680500    |     | SUB= 73690500       |
| 53    | 105710X     |     | "LINK, CLUTCH T"    |
| 55    | 105709X     |     | "SPRING, RETURN LT" |
| 56    | 74760620    |     | SUB= 74780620       |
| 57    | 130801      |     | SUB= 138255         |
| 58    | 127274X     |     | "KEEPER,BELT RH T"  |
| 59    | 140312      |     | KEEPER BELT CNTSP   |
| 61    | 17490612    |     | SCREW               |
| 62    | 8883R       |     | PEDAL COVER T       |
| 63    | 140186      |     | PULLEY.ENGINE       |
| 64    | 71170764    |     | BOLT                |
| 65    | 10040700    |     | LOCKWASHER          |
| 66    | 154778      |     | KEEPER-BELT         |
| 70    | 134683      |     | KEEPER BELT ENG     |
| 72    | 19132012    |     | WASHER              |
| 74    | 137057      |     | SPACER AXLE         |
| 75    | 121749X     |     | WASHER              |
| 76    | 12000001    |     | E-RING LT           |
| 77    | 123583X     |     | SQUARE KEY          |
| 78    | 121748X     |     | WASHER              |

| Ref # | Part Number | Qty | Description                     |
|-------|-------------|-----|---------------------------------|
| 79    | 2228M       |     | SUB= 2228M1                     |
| 80    | 131486      |     | "ROD,LINK SHIFT"                |
| 81    | 161706      |     | SHAFT, ASSEMBLY, CROSS 18" 1998 |
| 82    | 123782X     |     | "SPRING,TORSION"                |
| 83    | 19171216    |     | WASHER                          |
| 84    | 123793X     |     | "ROD,TIE "                      |
| 85    | 150360      |     | NUT.CNT.LOCK.1/4                |
| 86    | 157480      |     | BUSHING                         |
| 87    | 19212016    |     | WASHER D                        |
| 88    | 12000008    |     | KLIP RING                       |
| 89    | 139963      |     | CONSOLE.SHIFT.5SP               |
| 90    | 124346X     |     | NUT                             |
| 96    |             |     | CHECK WITH SUPPLIER             |
| 112   | 19091210    |     | WASHER LT                       |
| 113   | 127285X     |     | "STRAP,TORQUE"                  |
| 116   | 72110610    |     | BOLT RDHD 3/8-16                |
| 148   | 159103      |     | SPACER                          |
| 149   | 122052X     |     | SPACER RETAINER                 |
| 150   | 150935      |     | BUSHING.NYLON                   |
| 151   | 19133210    |     | WASHER                          |



### TRACTOR -- MODEL NUMBER RE12538B

### ELECTRICAL

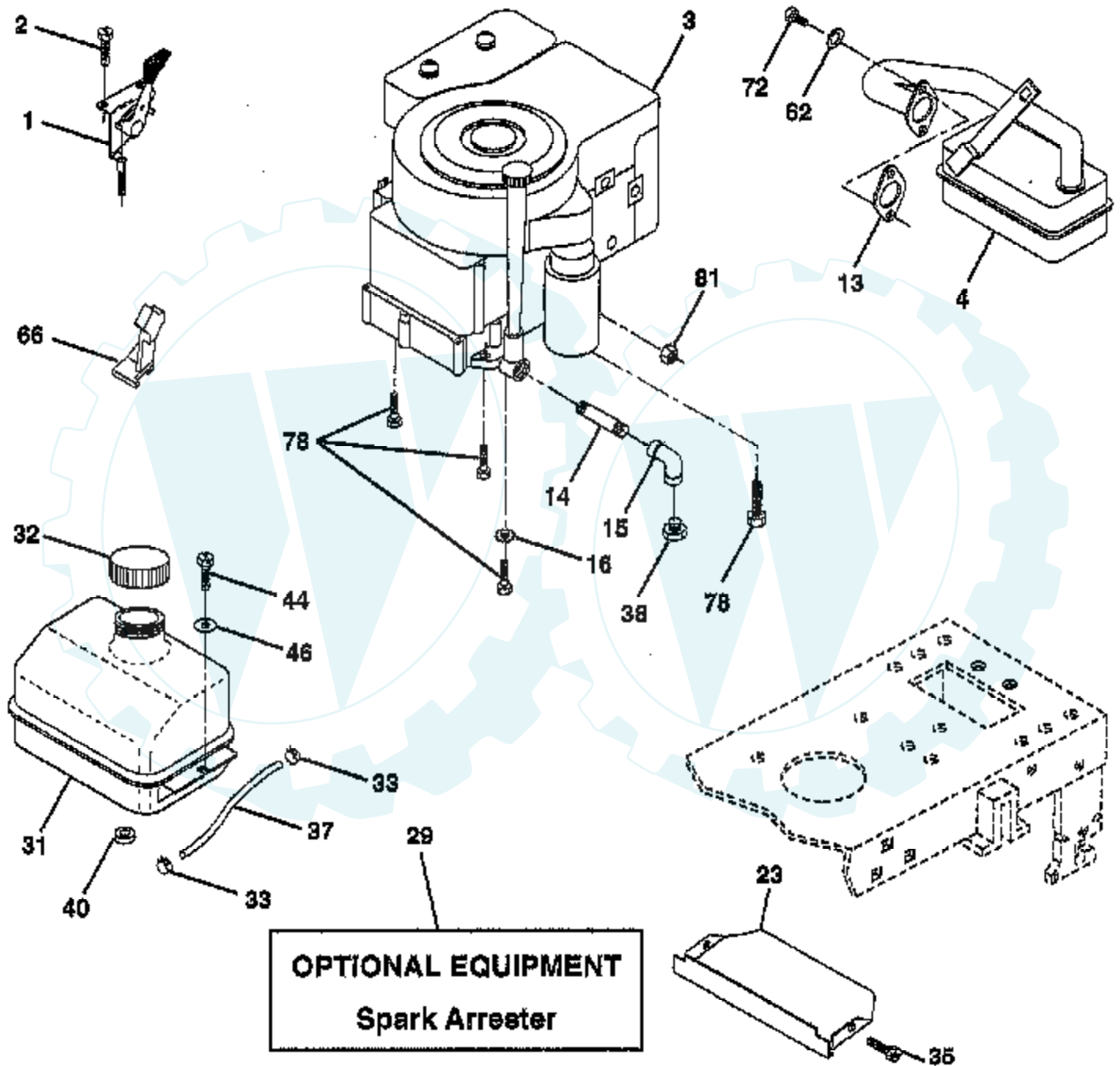




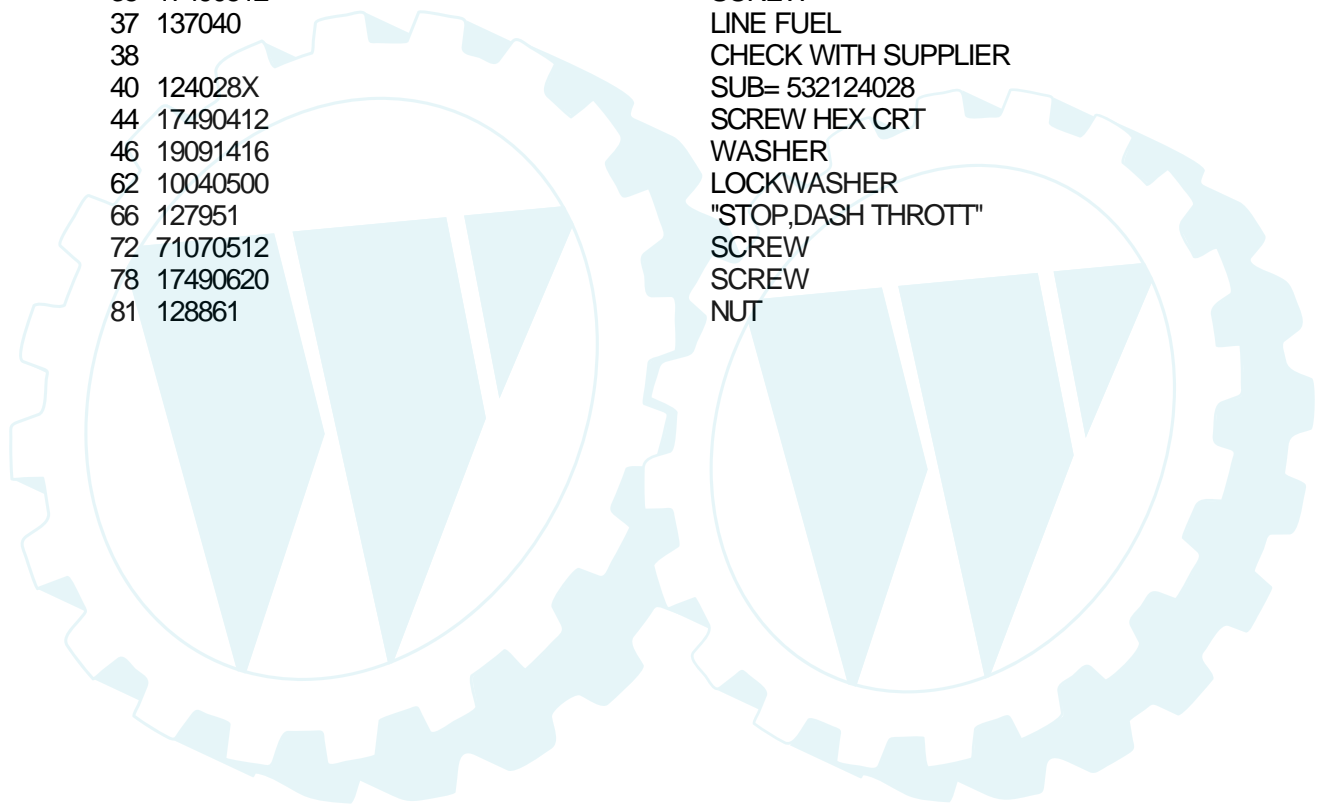
| Ref # | Part Number | Qty | Description         |
|-------|-------------|-----|---------------------|
| 1     | 144925      |     | SUB= 123899X        |
| 2     |             |     | CHECK WITH SUPPLIER |
| 3     | 19091016    |     | WASHER              |
| 4     | 10040400    |     | LOCKWASHER          |
| 6     | 73220400    |     | SUB= 50675          |
| 8     | 156417      |     | "CASE,BATTERY.MECH" |
| 9     | 109596X     |     | HOSE CLAMP T        |
| 16    | 153664      |     | SWITCH INTERLOCK    |
| 19    | 10090400    |     | SUB= 10040400       |
| 20    | 73350400    |     | NUT                 |
| 21    | 136850      |     | "HARNESS,LIGHT SOC" |
| 22    | 4152J       |     | HEADLAMP BULB       |
| 24    | 4799J       |     | "CABLE T, BATTERY"  |
| 25    | 146147      |     | CABLE.BTRY.6GA.RD   |
| 26    | 108824X     |     | FUSE HYT            |
| 28    | 4207J       |     | CABLE T             |
| 29    | 121305X     |     | SWITCH SEAT         |
| 30    | 140301      |     | SWITCH IGN 4POS     |
| 31    | 124211X     |     | NUT IGNITION        |
| 32    | 141226      |     | COVER KEY SWITCH    |
| 33    | 122147X     |     | KEY                 |
| 40    | 156442      |     | HARNESS-IGNITION    |
| 41    | 71110408    |     | BOLT HXHD FIN       |
| 42    | 131563      |     | SUB= 154336         |
| 43    | 145673      |     | SUB= 146154         |
| 44    | 73640400    |     | NUT HXKEP 1/4X20    |
| 48    | 140844      |     | ADAPTER AMMETER     |
| 52    | 141940      |     | PROTECTION LOOP     |
| 70    | 140413      |     | HARNESS ENG DUAL    |

### TRACTOR - - MODEL NUMBER RE12538B

#### ENGINE



| Ref # | Part Number | Qty | Description                    |
|-------|-------------|-----|--------------------------------|
| 1     | 141359      |     | CONTROL.THTL.23.5              |
| 2     | 17720410    |     | SCREW LT                       |
| 3     | 289707      |     | ENGINE B&S                     |
| 4     | 137348      |     | MUFFLER                        |
| 13    | 272293      |     | GASKET ENG 1 313 LD TIN PLATED |
| 14    | 13280324    |     | PIPE NIPPLE                    |
| 15    | 13200300    |     | ELBOW                          |
| 16    | 11050600    |     | LOCKWASHER                     |
| 23    | 159880      |     | SHIELD.BRN/DBR.GD              |
| 29    | 137180      |     | SUB= 532137180                 |
| 31    | 109202X     |     | TANK.FUEL.LT.                  |
| 32    | 140527      |     | CAP ASM FUEL                   |
| 33    | 123487X     |     | HOSE CLAMP                     |
| 35    | 17490512    |     | SCREW                          |
| 37    | 137040      |     | LINE FUEL                      |
| 38    |             |     | CHECK WITH SUPPLIER            |
| 40    | 124028X     |     | SUB= 532124028                 |
| 44    | 17490412    |     | SCREW HEX CRT                  |
| 46    | 19091416    |     | WASHER                         |
| 62    | 10040500    |     | LOCKWASHER                     |
| 66    | 127951      |     | "STOP,DASH THROTT"             |
| 72    | 71070512    |     | SCREW                          |
| 78    | 17490620    |     | SCREW                          |
| 81    | 128861      |     | NUT                            |





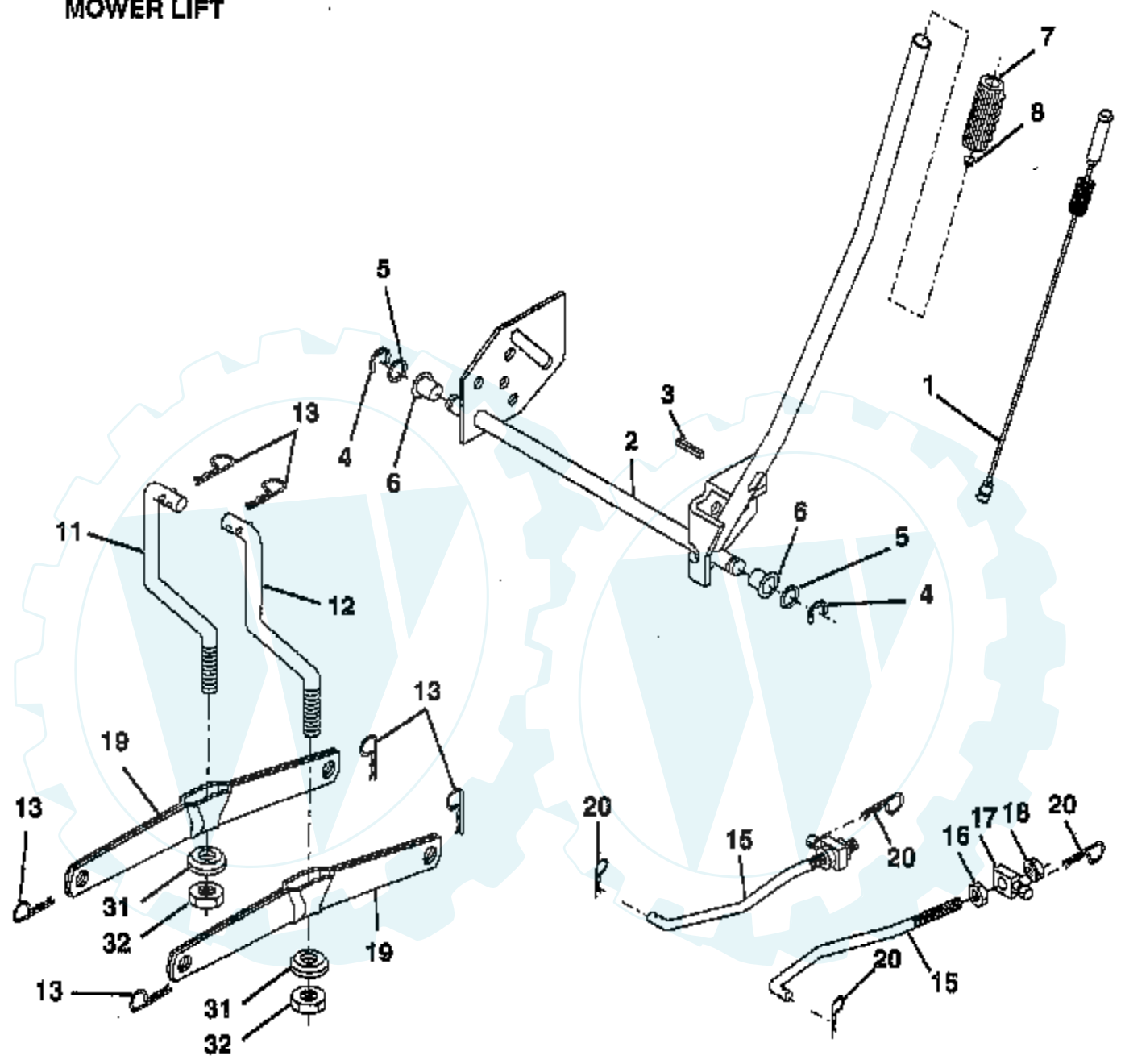
| Ref # | Part Number | Qty | Description         |
|-------|-------------|-----|---------------------|
| 1     | 142829      |     | SUB= 145775         |
| 2     | 72140506    |     | BOLT                |
| 3     | 138017      |     | BRKT ASM SWAY BAR   |
| 4     | 138440      |     | BRKT DECK SW BAR    |
| 5     | 4939M       |     | SUB= 85902          |
| 6     | 130832      |     | SUB= 130833         |
| 8     | 850857      |     | BLADE BOLT          |
| 9     | 10030600    |     | SUB= 10040600       |
| 10    | 140296      |     | WASHER.HARD.BLADE   |
| 11    | 138497      |     | "BLADE.38"" HIPERF" |
| 12    | 129895      |     | BEARING.BALL        |
| 13    | 137645      |     | SUB= 137646         |
| 14    | 128774      |     | HSG ASM MANDREL     |
| 15    | 110485X     |     | BEARING             |
| 16    | 140329      |     | STRIPPER RND MWR    |
| 19    | 132827      |     | BOLT SHD 5/16-18    |
| 21    | 73680500    |     | SUB= 73690500       |
| 23    | 137607      |     | BRKT DEFLECTOR      |
| 24    | 105304X     |     | CAP-SLEEVE LT       |
| 25    | 123713X     |     | SPRING TORSION      |
| 26    |             |     | CHECK WITH SUPPLIER |
| 27    | 106736X     |     | DEFLECTOR-SHLD T    |
| 28    | 19111016    |     | WASHER              |
| 29    | 106735X     |     | ROD-HINGE T         |
| 30    | 157722      |     | "SCREW-THD ROLL,WA" |
| 31    | 129963      |     | WASHER              |
| 32    | 153535      |     | PULLEY.MANDREL.42   |
| 33    | 137266      |     | SUB= 139729         |
| 36    | 131494      |     | FLAT IDLER PULLEY   |
| 40    | 73680600    |     | SUB= 73690600       |
| 41    | 133551      |     | PIVOT ROD           |
| 43    | 133504      |     | CLUTCH ROD SECOND   |
| 45    |             |     | CHECK WITH SUPPLIER |
| 53    | 130840      |     | BRAKE ASM           |
| 54    | 133943      |     | HARDENED WASHER     |
| 55    | 133840      |     | IDLER ARM ASSY      |
| 56    | 122052X     |     | SPACER RETAINER     |
| 67    | 162132      |     | KNOB.RD.7/16-14     |
| 68    | 144200      |     | BELT.V.T-PATH       |
| 69    | 76020312    |     | SUB= 3145           |
| 71    | 142427      |     | ROD CLUTCH 38/42    |
| 72    | 131870      |     | RETURN SPRING       |
| 73    | 127847      |     | CLUTCH ARM SECOND   |
| 74    | 121748X     |     | WASHER              |
| 75    | 12000029    |     | RING                |
| 76    | 128903      |     | SHOULDER BOLT       |
| 77    | 127845      |     | SPRING KEEPER       |
| 78    | 160570      |     | LEVER.ASM.CLUTCH    |
| 79    | 127498      |     | BUSHING             |
| 80    | 153701      |     | SPRING.CLUTCH.MWR   |
| 81    | 73350600    |     | NUT                 |
| 82    | 142028      |     | TRUNION ADJ         |
| 86    | 7631J       |     | RUNNER-LH M         |
| 87    | 128772      |     | RUNNER RH           |
| 88    | 19111216    |     | WASHER M            |
| 89    | 19131612    |     | WASHER GT           |
| 92    | 73800600    |     | NUT                 |
| 107   | 133502      |     | RETAINER SPACER     |

| Ref # | Part Number | Qty | Description         |
|-------|-------------|-----|---------------------|
| 108   | 133503      |     | IDLER ARM STIFF     |
| 109   | 74760640    |     | BOLT                |
| 110   | 142587      |     | UPSTOP DECK FT 38   |
| 113   | 17490512    |     | SCREW               |
| 122   | 131289      |     | BRAKE ROD LH        |
| 123   | 131288      |     | BRAKE ROD RH        |
| 124   | 72110614    |     | BOLT                |
| 128   | 153390      |     | WASHER.FELT.        |
| 141   |             |     | CHECK WITH SUPPLIER |
|       | 130794      |     | MANDREL ASM         |
|       | 145758      |     | DECK.SERV.38.HLMC   |

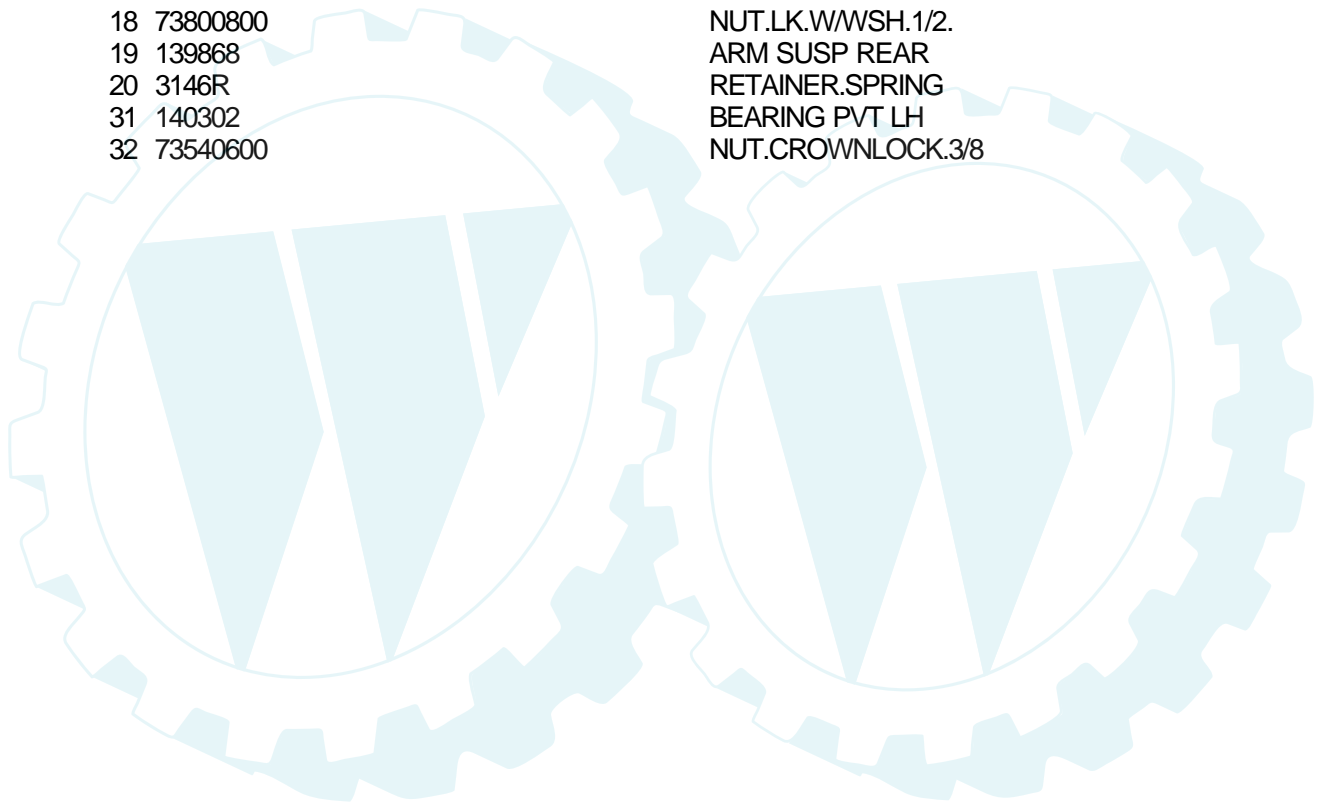


**TRACTOR - - MODEL NUMBER RE12538B**

**MOWER LIFT**

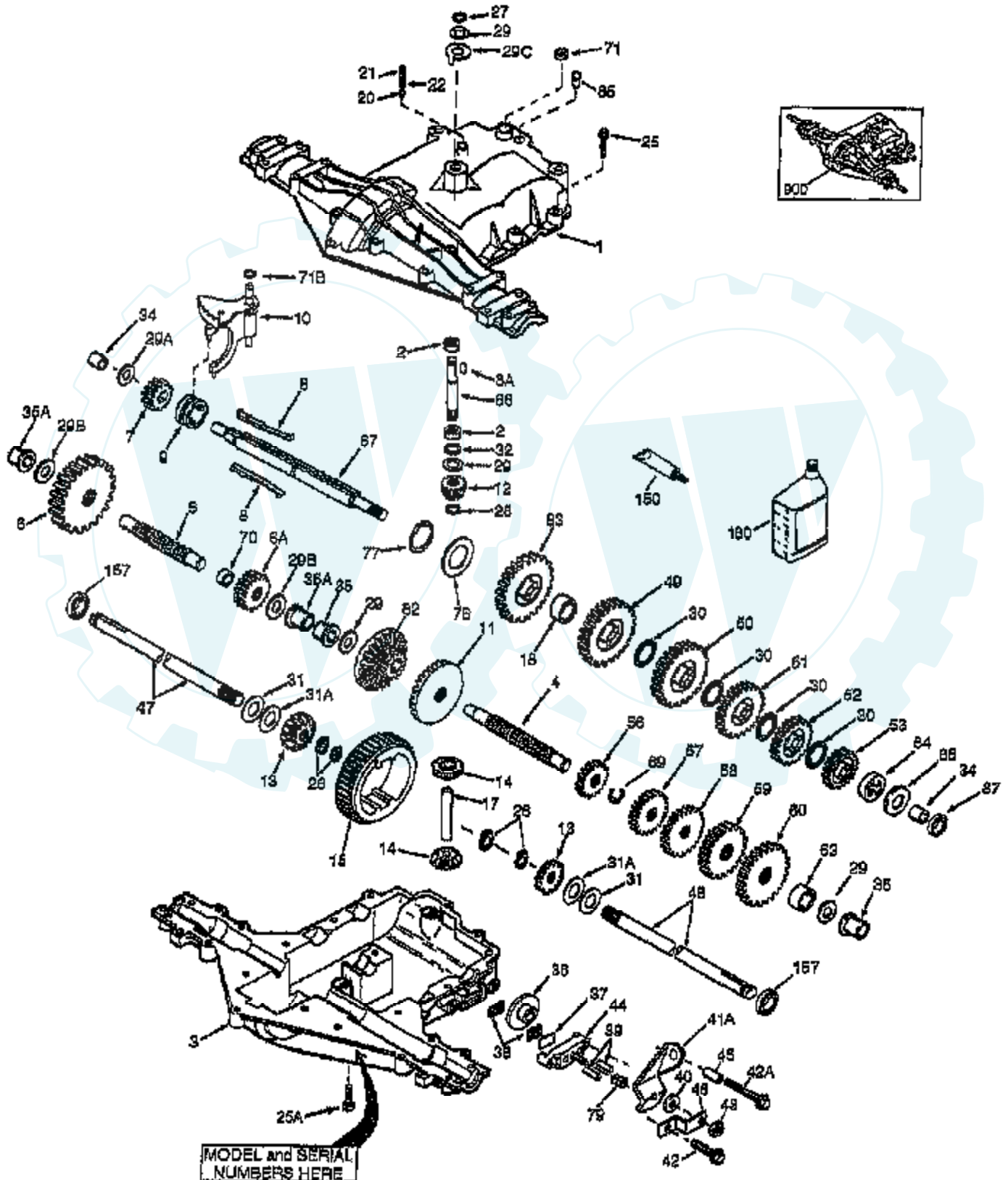


| Ref # | Part Number | Qty | Description         |
|-------|-------------|-----|---------------------|
| 1     | 159460      |     | WIRE ASM W.SPRING   |
| 2     | 159471      |     | "SHAFT ASM LIFT,RH" |
| 3     | 105767X     |     | PIN-GROOVE LT       |
| 4     | 12000002    |     | SUB= 2225J          |
| 5     | 19211621    |     | WASHER              |
| 6     | 120183X     |     | NYLON BEARING       |
| 7     | 109413X     |     | GRIP                |
| 8     | 124526X     |     | SUB= 125925X        |
| 11    | 139865      |     | SUB= 918139865      |
| 12    | 139866      |     | SUB= 151140         |
| 13    | 4939M       |     | SUB= 85902          |
| 15    | 127218      |     | LINK.FRONT          |
| 16    | 73350800    |     | NUT                 |
| 17    | 130171      |     | TRUNION             |
| 18    | 73800800    |     | NUT.LK.W/WSH.1/2.   |
| 19    | 139868      |     | ARM SUSP REAR       |
| 20    | 3146R       |     | RETAINER.SPRING     |
| 31    | 140302      |     | BEARING PVT LH      |
| 32    | 73540600    |     | NUT.CROWNLOCK.3/8   |



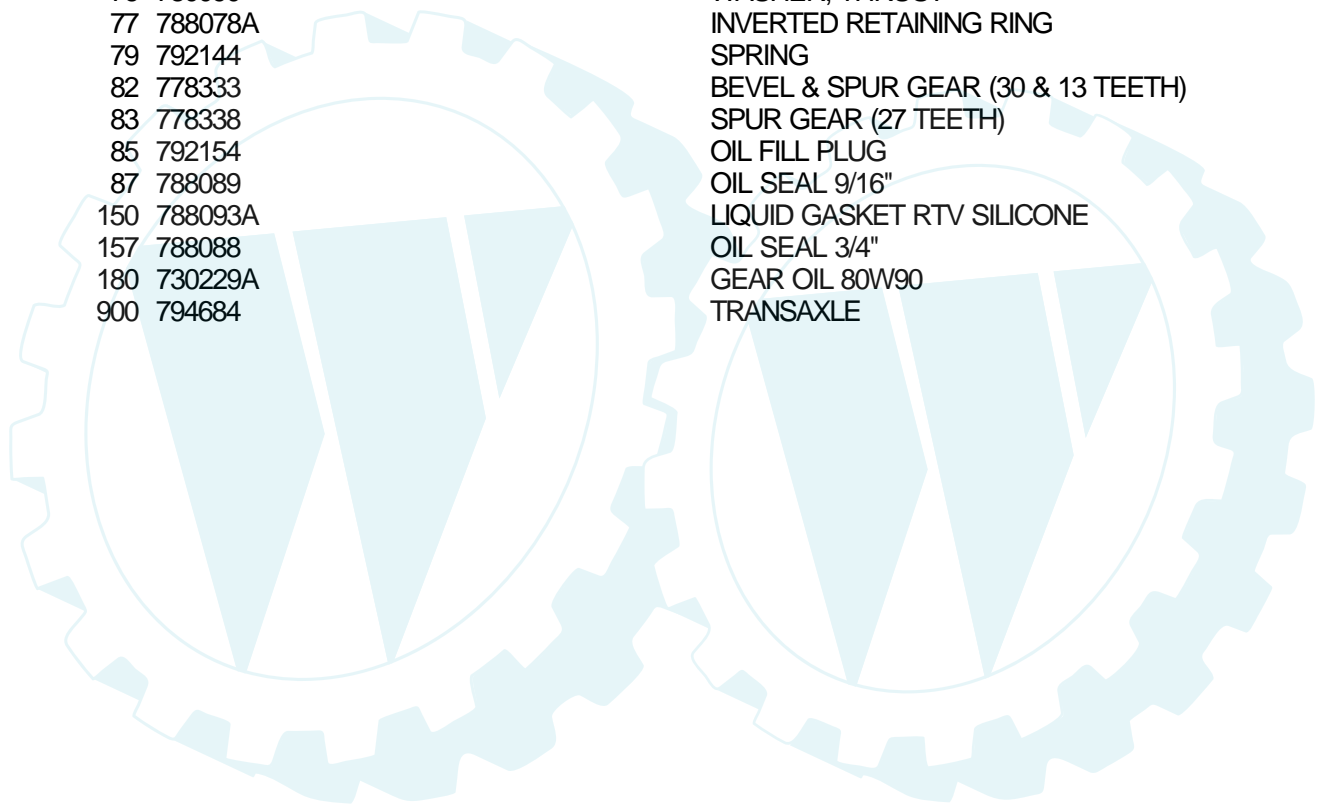


# TRACTOR - - MODEL NUMBER RE12538B PEERLESS TRANSAXLE - MODEL NUMBER 205-507B



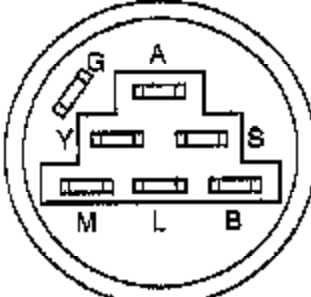
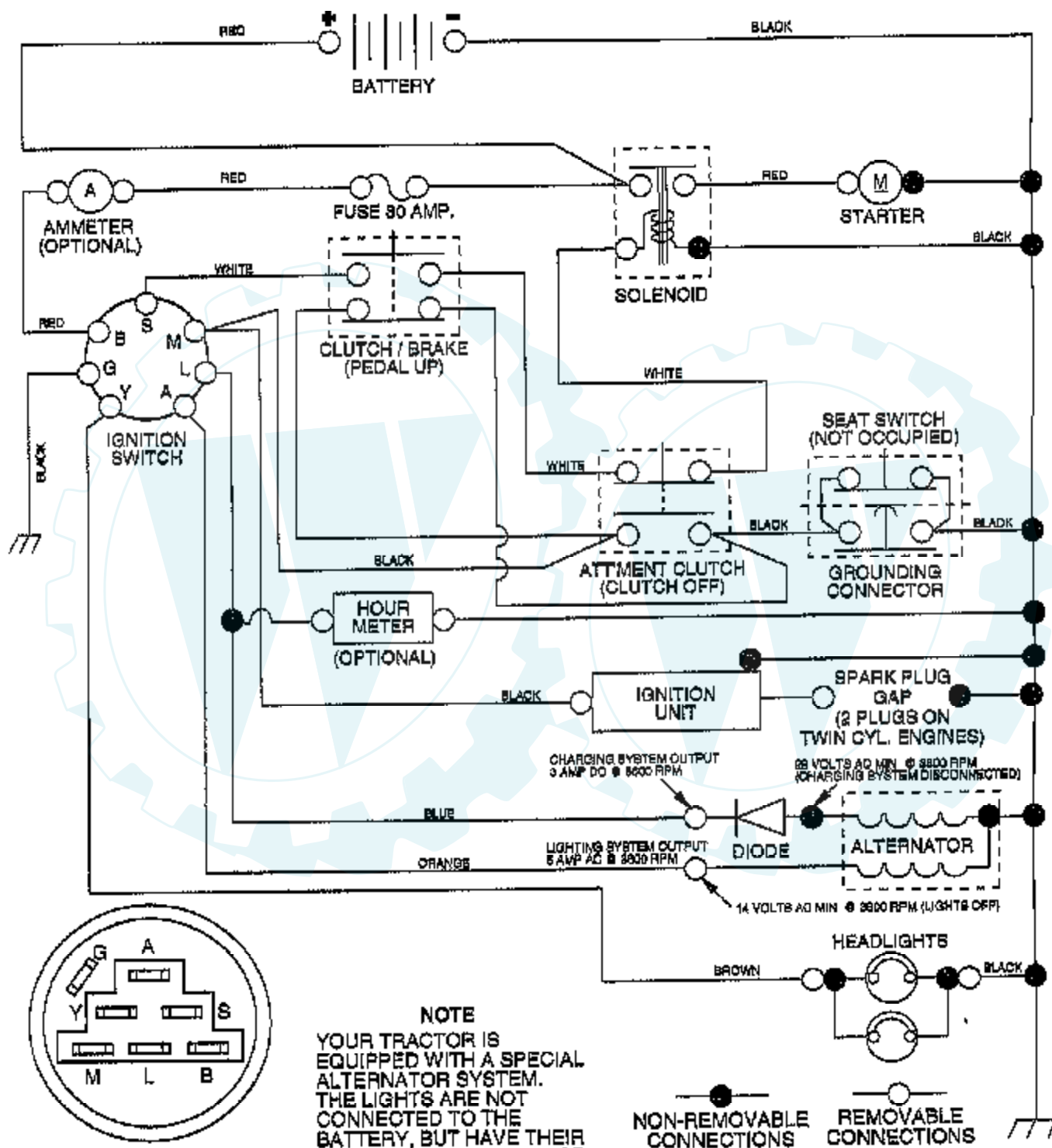
| Ref # | Part Number | Qty | Description                  |
|-------|-------------|-----|------------------------------|
| 1     | 772147      |     | TRANSAXLE COVER              |
| 2     | 780086A     |     | NEEDLE BEARING 5/8" ID       |
| 3     | 770128      |     | TRANSAXLE CASE               |
| 4     | 776395      |     | COUNTERSHAFT                 |
| 5     | 776409      |     | OUTPUT SHAFT                 |
| 6     | 778364      |     | SPUR GEAR (38 TEETH)         |
| 6A    | 778369      |     | SPUR GEAR (15 TEETH)         |
| 7     | 778330      |     | SPUR GEAR (11 TEETH)         |
| 8     | 792180      |     | SHIFT KEY                    |
| 8A    | 792047      |     | KEY, WOODRUFF                |
| 9     | 784352      |     | COLLAR, SHIFTER              |
| 10    | 784378      |     | SHIFT ROD & FORK             |
| 11    | 778334      |     | BEVEL GEAR (30 TEETH)        |
| 12    | 778309      |     | INPUT BEVEL PINION (13TEETH) |
| 13    | 778368      |     | BEVEL GEAR (13 TEETH)        |
| 14    | 778367      |     | BEVEL PINION (13 TEETH)      |
| 15    | 778370      |     | RING GEAR (43 TEETH)         |
| 17    | 786188      |     | DRIVE PIN                    |
| 18    | 786102      |     | SPACER, NEUTRAL              |
| 20    | 792077      |     | BALL STEEL, 5/16" DIA.       |
| 21    | 792078      |     | SCREW, 3/8-16 X 3/8"         |
| 22    | 792079      |     | SPRING                       |
| 25    | 792073A     |     | SCREW                        |
| 25A   | 792177      |     | SCREW 1/4-20 X 1-3/8"        |
| 26    | 792125      |     | RING RETAINER                |
| 27    | 792035      |     | RING, RETAINER               |
| 28    | 788040      |     | RETAINING RING               |
| 29    | 780072      |     | WASHER THRUST                |
| 29A   | 780160      |     | WASHER                       |
| 29B   | 780051      |     | WASHER THRUST                |
| 29C   |             |     | CHECK WITH SUPPLIER          |
| 30    | 780108      |     | WASHER THRUST                |
| 31    | 780001      |     | WASHER                       |
| 31A   | 780195      |     | FLAT WASHER                  |
| 32    | 788083      |     | OIL SEAL 5/8"                |
| 34    | 780194      |     | BUSHING 9/16"                |
| 35    | 780193      |     | FLANGED BUSHING 5/8" ID      |
| 35A   | 780197      |     | FLANGED BUSHING 3/4"         |
| 36    | 790075      |     | BRAKE DISC                   |
| 37    | 790007      |     | PLATE BRAKE PAD              |
| 38    | 799021      |     | BRAKE PAD                    |
| 39    | 786026      |     | PIN DOWEL                    |
| 40    | 792076A     |     | WASHER                       |
| 41A   | 790079      |     | BRAKE LEVER                  |
| 42    | 792073A     |     | SCREW                        |
| 42A   | 792085A     |     | SCREW, 1/4-20 X 2-1/4        |
| 43    | 792075      |     | LOCKNUT 5/16-24              |
| 44    | 790025      |     | HOLDER BRAKE PAD             |
| 45    | 786066      |     | SPACER                       |
| 46    | 786086      |     | BRKT BRAKE LEVER             |
| 47    | 774690      |     | AXLE                         |
| 48    | 774691      |     | AXLE                         |
| 49    | 778356      |     | SPUR GEAR (29 TEETH)         |
| 50    | 778354      |     | SPUR GEAR (23 TEETH)         |
| 51    | 778352      |     | SPUR GEAR (19 TEETH)         |
| 52    | 778350      |     | SPUR GEAR (16 TEETH)         |
| 53    | 778346      |     | SPUR GEAR (15 TEETH)         |
| 56    | 778355      |     | SPUR GEAR (11 TEETH)         |

| Ref # | Part Number | Qty | Description                       |
|-------|-------------|-----|-----------------------------------|
| 57    | 778353      |     | SPUR GEAR (17 TEETH)              |
| 58    | 778351      |     | SPUR GEAR (21 TEETH)              |
| 59    | 778349      |     | SPUR GEAR (24 TEETH)              |
| 60    | 778345      |     | SPUR GEAR (25 TEETH)              |
| 63    | 786071      |     | SPACER                            |
| 64    | 786072      |     | SPACER                            |
| 65    | 780189      |     | WASHER                            |
| 66    | 776422      |     | INPUT SHAFT                       |
| 67    | 776396      |     | SHIFTER & BRAKE SHAFT             |
| 69    | 792170      |     | RETAINING RING                    |
| 70    | 786187      |     | SPACER .890                       |
| 71    | 788069      |     | SEAL SQUARE CUT                   |
| 71B   | 788092      |     | "O" RING                          |
| 76    | 780090      |     | WASHER, THRUST                    |
| 77    | 788078A     |     | INVERTED RETAINING RING           |
| 79    | 792144      |     | SPRING                            |
| 82    | 778333      |     | BEVEL & SPUR GEAR (30 & 13 TEETH) |
| 83    | 778338      |     | SPUR GEAR (27 TEETH)              |
| 85    | 792154      |     | OIL FILL PLUG                     |
| 87    | 788089      |     | OIL SEAL 9/16"                    |
| 150   | 788093A     |     | LIQUID GASKET RTV SILICONE        |
| 157   | 788088      |     | OIL SEAL 3/4"                     |
| 180   | 730229A     |     | GEAR OIL 80W90                    |
| 900   | 794684      |     | TRANSAXLE                         |



## TRACTOR - - MODEL NUMBER RE12538B

### SCHEMATIC



IGNITION SWITCH

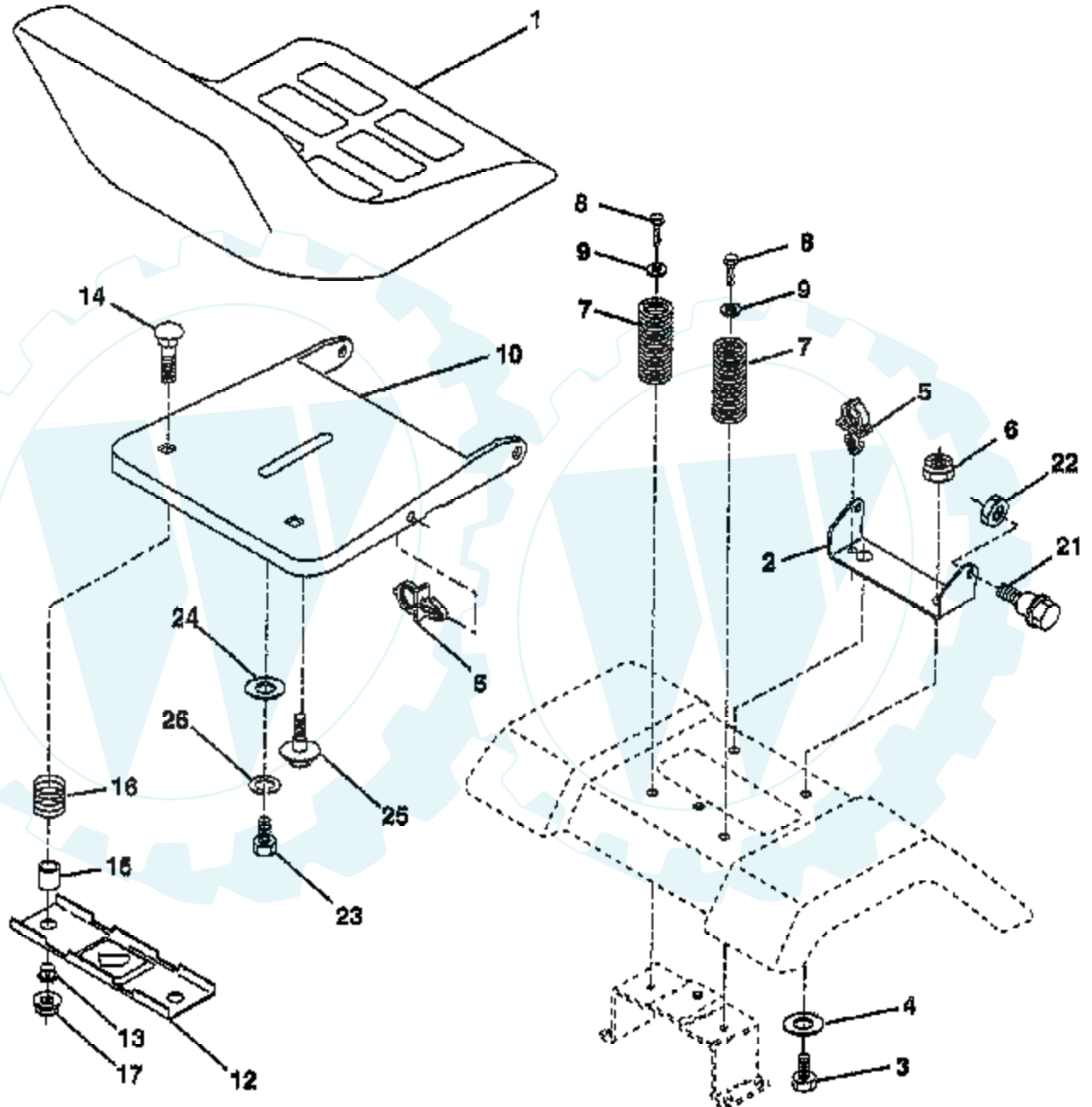
| POSITION | CIRCUIT   | "MAKE" |
|----------|-----------|--------|
| OFF      | G + M + L | NONE   |
| RUNLIGHT | B + L     | A + Y  |
| RUN      | B + L     | NONE   |
| START    | B + L + S | NONE   |

**NOTE**  
YOUR TRACTOR IS EQUIPPED WITH A SPECIAL ALTERNATOR SYSTEM. THE LIGHTS ARE NOT CONNECTED TO THE BATTERY, BUT HAVE THEIR OWN ELECTRICAL SOURCE. BECAUSE OF THIS, THE BRIGHTNESS OF THE LIGHTS WILL CHANGE WITH ENGINE SPEED. AT IDLE THE LIGHTS WILL DIM. AS THE ENGINE IS SPEEDED UP, THE LIGHTS WILL BECOME THEIR BRIGHTEST.

**WIRING INSULATED CLIPS**  
**NOTE:** IF WIRING INSULATED CLIPS WERE REMOVED FOR SERVICING OF UNIT, THEY SHOULD BE REPLACED TO PROPERLY SECURE YOUR WIRING.

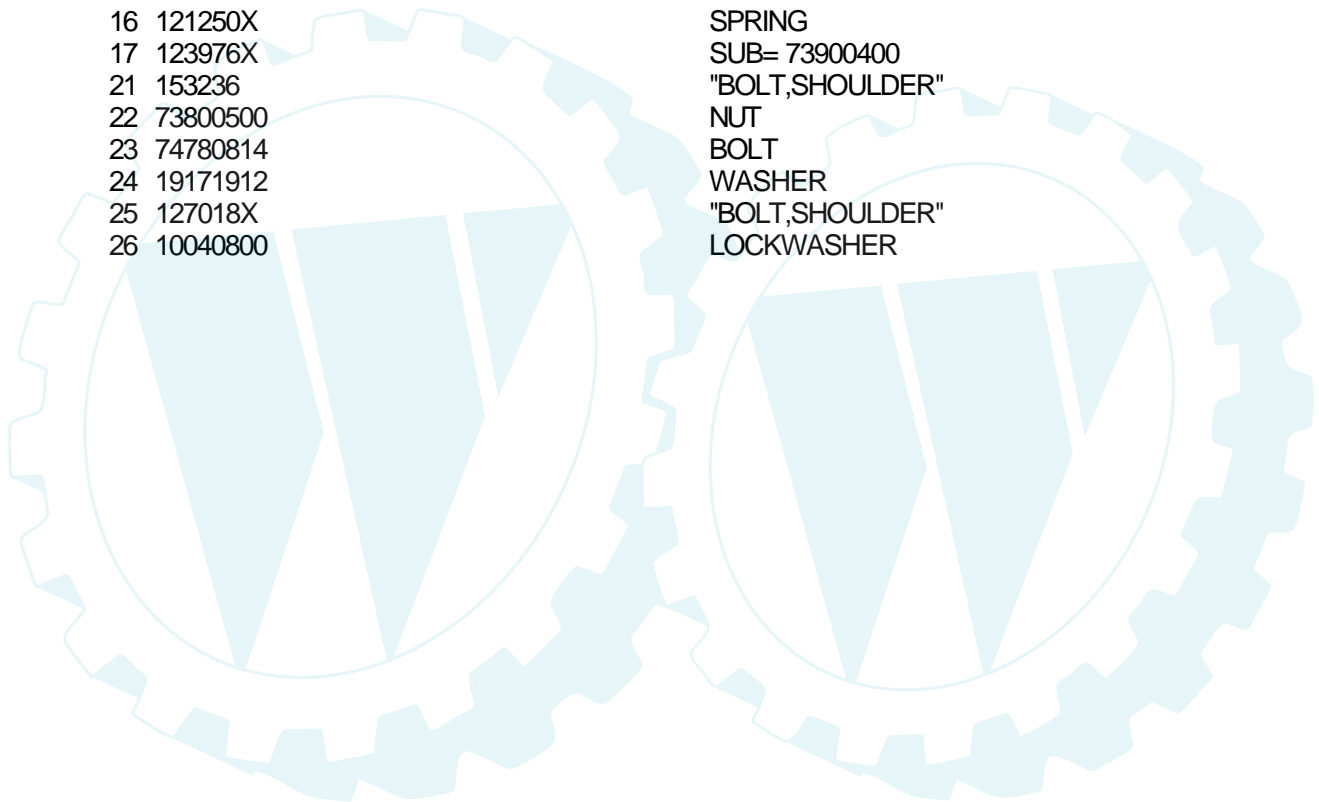
## TRACTOR - - MODEL NUMBER RE12538B

### SEAT



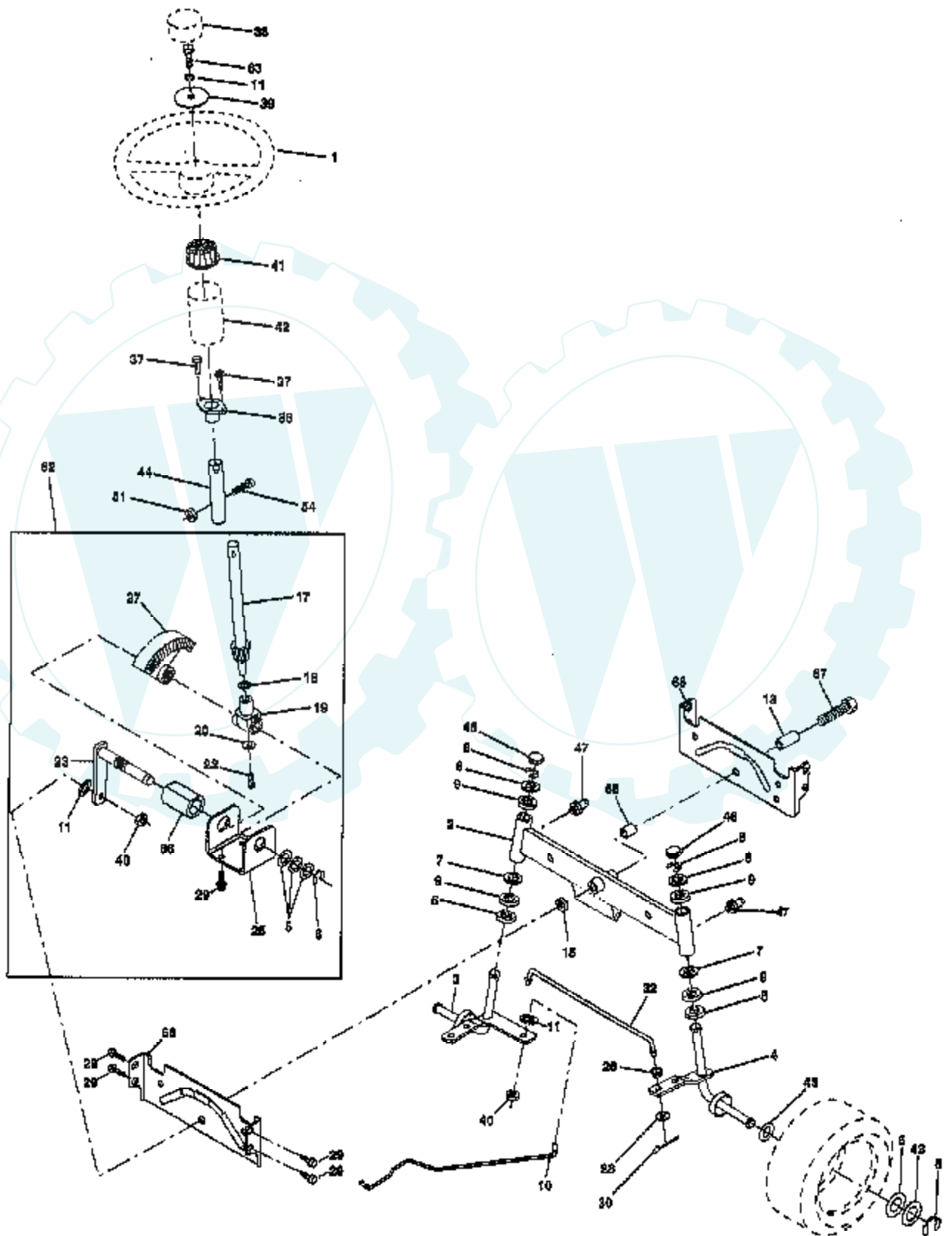
**NOTE:** All component dimensions given in U.S. inches  
1 inch = 25.4 mm

| Ref # | Part Number | Qty | Description       |
|-------|-------------|-----|-------------------|
| 1     | 127426X     |     | SUB= 140119       |
| 2     | 140551      |     | BRACKET PVT SEAT  |
| 3     | 74760616    |     | BOLT              |
| 4     | 19131610    |     | WASHER PM         |
| 5     | 145006      |     | CLIP.PUSH-IN.HING |
| 6     | 73800600    |     | NUT               |
| 7     | 124181X     |     | SPRING COMPRESSIO |
| 8     | 17490616    |     | SCREW GTV         |
| 9     | 19131614    |     | WASHER            |
| 10    | 155925      |     | PAN-SEAT          |
| 12    | 121246X     |     | BRKT SWITCH       |
| 13    | 121248X     |     | BUSHING           |
| 14    | 72050412    |     | BOLT-RD HD SQ NK  |
| 15    | 134300      |     | SPLIT SPACER      |
| 16    | 121250X     |     | SPRING            |
| 17    | 123976X     |     | SUB= 73900400     |
| 21    | 153236      |     | "BOLT,SHOULDER"   |
| 22    | 73800500    |     | NUT               |
| 23    | 74780814    |     | BOLT              |
| 24    | 19171912    |     | WASHER            |
| 25    | 127018X     |     | "BOLT,SHOULDER"   |
| 26    | 10040800    |     | LOCKWASHER        |



### TRACTOR - - MODEL NUMBER RE12538B

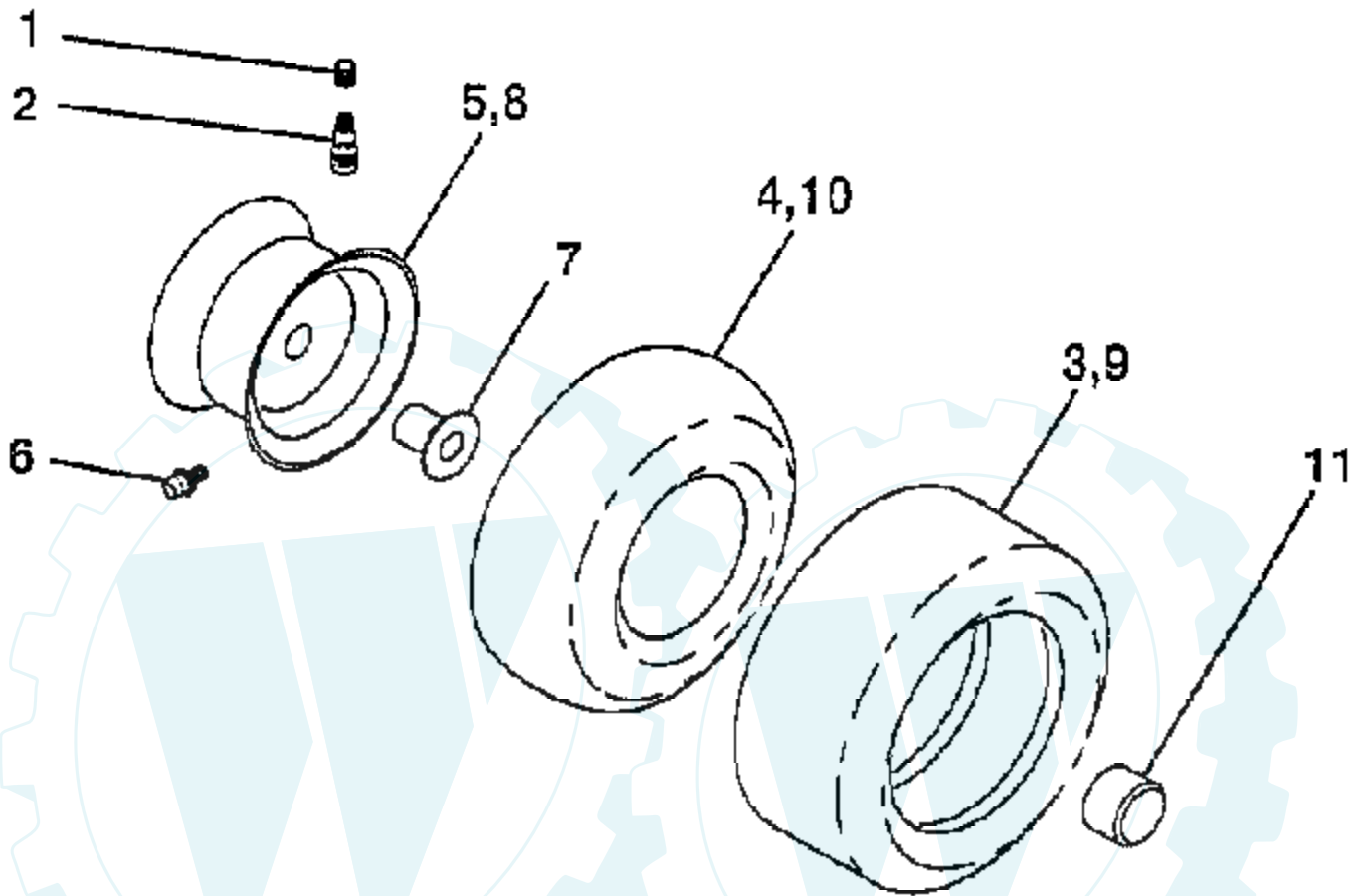
### STEERING WHEEL



| Ref # | Part Number | Qty | Description         |
|-------|-------------|-----|---------------------|
| 1     | 133741      |     | SUB= 150547         |
| 2     | 154427      |     | AXLE ASM            |
| 3     | 156483      |     | SPINDLE.ASM.LH      |
| 4     | 157473      |     | "SPINDLE ASM,RH"    |
| 5     |             |     | CHECK WITH SUPPLIER |
| 6     | 121748X     |     | WASHER              |
| 7     | 19272016    |     | WASHER              |
| 8     | 12000029    |     | RING                |
| 9     | 3366R       |     | COL. SRTG. BEAR.    |
| 10    | 156438      |     | DRAGLINK-STAMPED    |
| 11    | 10040600    |     | LOCKWASHER          |
| 13    | 154779      |     | BEARING AXLE        |
| 15    | 73901000    |     | "NUT-LOC,FLANGE LT" |
| 17    | 156546      |     | SHAFT ASM STEERIN   |
| 18    | 57079       |     | THRUST WASHER       |
| 19    | 124035X     |     | SUPPORT.SHAFT       |
| 20    | 126684X     |     | SUB= 532126684      |
| 22    | 71200410    |     | SCREW HEX SOC1/4-   |
| 23    | 127501      |     | SUB= 918127501      |
| 25    | 154406      |     | BRKT-STEERING       |
| 26    | 126847X     |     | BUSHING.DRAGLINK    |
| 27    | 136874      |     | GEAR SECTOR         |
| 28    | 19131416    |     | WASHER              |
| 29    | 17490612    |     | SCREW               |
| 30    | 76020412    |     | COTTER PIN          |
| 32    | 130465      |     | TIE ROD             |
| 36    | 155099      |     | BUSHING.STEERING    |
| 37    | 152927      |     | "SCREW-TT,10-32 FL" |
| 38    | 133742      |     | ST WHL INSERT CAP   |
| 39    | 19133808    |     | WASHER T            |
| 40    | 7810H       |     | GRIPCO NUT          |
| 41    | 100711L     |     | ADAPTER LT          |
| 42    | 145054      |     | BOOT.STEER.PL       |
| 43    | 121749X     |     | WASHER              |
| 44    | 153720      |     | EXT SHAFT STEERIN   |
| 46    | 121232X     |     | CAP                 |
| 47    | 6855M       |     | ZERK M              |
| 51    | 73800500    |     | NUT                 |
| 54    | 74780520    |     | BOLT                |
| 62    | 156594      |     | KIT STEERING ASM    |
| 63    | 74780616    |     | BOLT                |
| 65    | 154780      |     | SPACER AXLE         |
| 66    | 154404      |     | "BEARING-ARM,PITMA" |
| 67    | 74781044    |     | BOLT                |
| 68    | 154429      |     | BRACE AXLE          |



# WHEELS AND TIRES



**NOTE:** All component dimensions given in U.S. inches  
1 inch = 25.4 mm

| Ref # | Part Number | Qty | Description              |
|-------|-------------|-----|--------------------------|
| 1     | 59192       |     | VALVE CAP                |
| 2     | 65139       |     | VALVE STEM LT            |
| 3     | 106222X     |     | SUB= 122073X             |
| 4     | 59904       |     | TUBE.5.3/4.5/6           |
| 5     | 106732X427  |     | "RIM ASM 6"" FRT"        |
| 6     | 278H        |     | FITTING LT               |
| 7     | 9040H       |     | "FLANGE, BEARING"        |
| 8     | 106108X427  |     | "RIM AS 8"" REAR"        |
| 9     | 124635X     |     | SUB= 126957X             |
| 10    | 7152J       |     | TUBE.18X9.5-8            |
| 11    | 104757X     |     | HUB CAP                  |
|       | 144334      |     | SEALANT.TIRE 10 OZ. TUBE |

