



REPAIR PARTS MANUAL
MODEL NO. RE11CRD (REQ11CRDB)
Lawn Tractor

Rally

HOW TO USE THIS MANUAL

This manual is designed to provide the customer with a means to identify the parts on his/her tractor when ordering repair parts. The illustrations may or may not represent the actual assemblies; therefore, it is not recommended to use this manual as a guide to assemble or disassemble the tractor. Some hardware and parts are drawn larger in order to more readily identify them.

Each tractor has its own model number.

The model number for your tractor can be found on the fender under the seat.

When ordering parts, always give the following information:

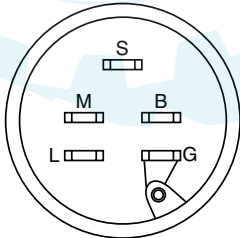
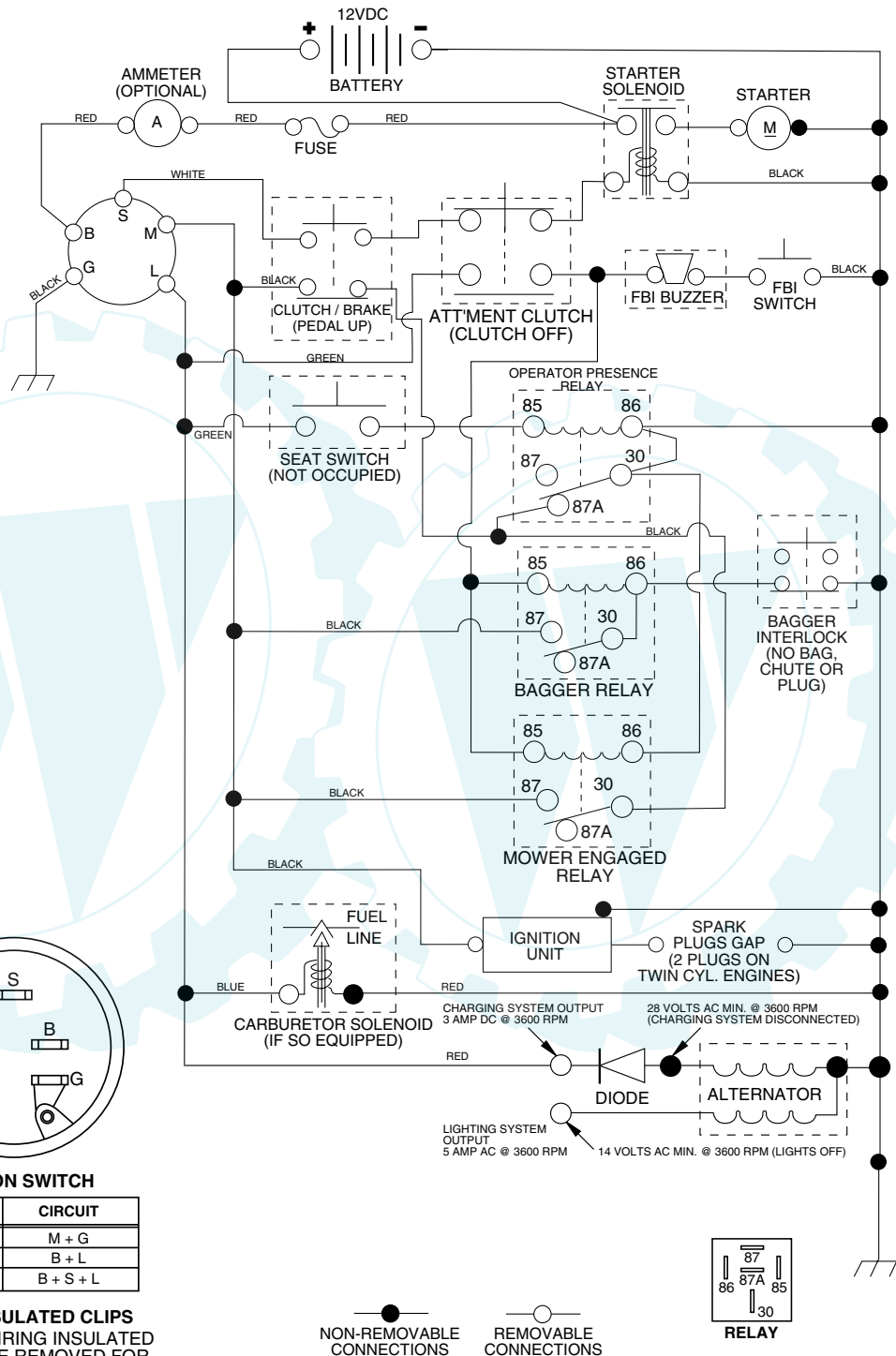
- Product - "Tractor"
- Model Number - "RE11CRD (REQ11CRDB)"
- Part Number
- Part Description

TABLE OF CONTENTS

SCHEMATIC	3
ELECTRICAL	4-5
CHASSIS	6-7
DRIVE	8-9
STEERING	10-11
SEAT	12
DECALS	13
ENGINE	14-15
MOWER LIFT	16-17
MOWER DECK	18-19
BAGGER	20-21

REPAIR PARTS

TRACTOR- -MODEL NO. RE11CRD (REQ11CRDB), PRODUCT 964 77 31-00 SCHEMATIC

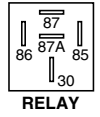


IGNITION SWITCH

POSITION	CIRCUIT
OFF	M + G
ON	B + L
START	B + S + L

WIRING INSULATED CLIPS
NOTE: IF WIRING INSULATED CLIPS WERE REMOVED FOR SERVICING OF UNIT, THEY SHOULD BE REPLACED TO PROPERLY SECURE YOUR WIRING.

● NON-REMOVABLE CONNECTIONS
 ○ REMOVABLE CONNECTIONS

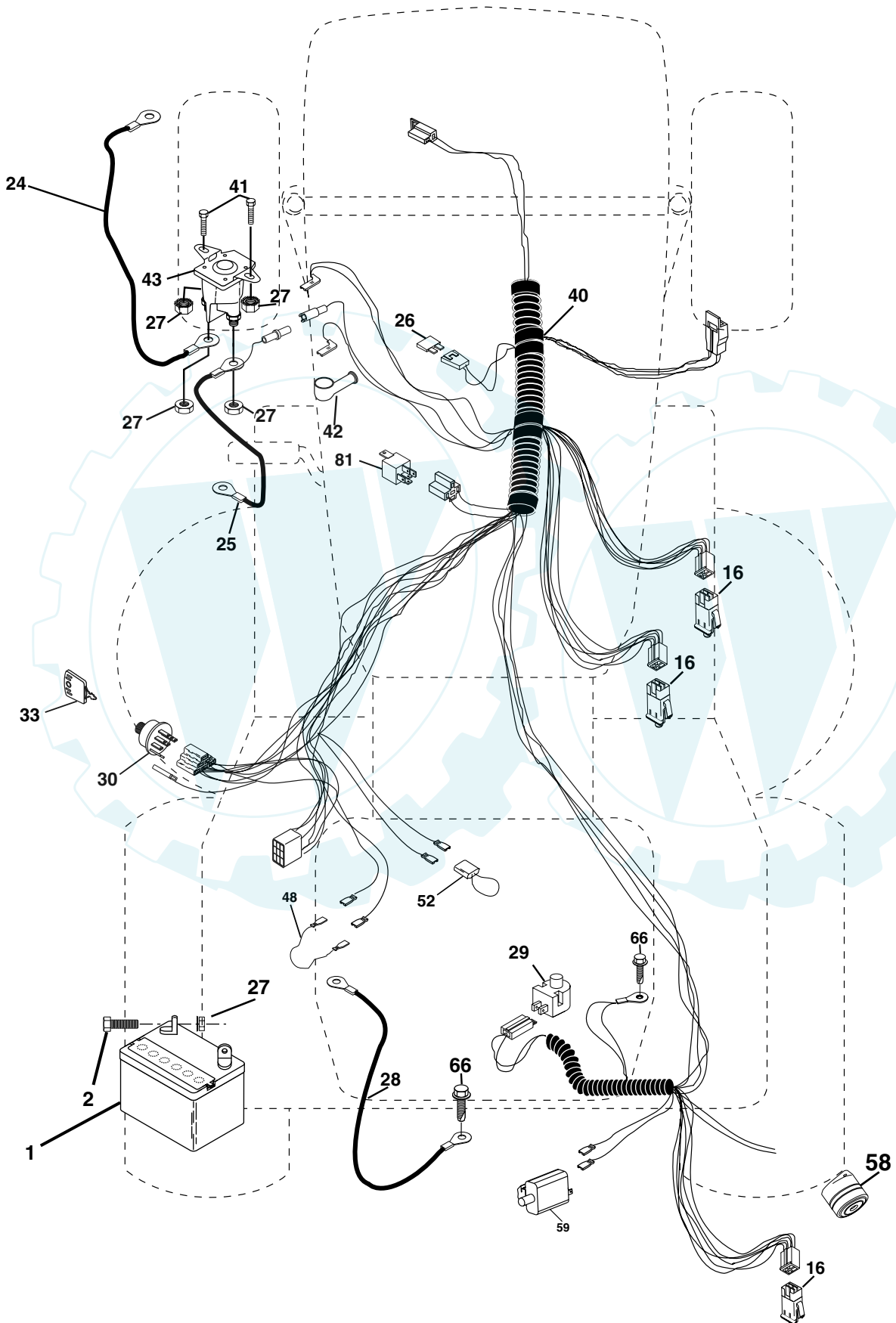


RELAY

REPAIR PARTS

www.ersatzteil-service.de

TRACTOR- -MODEL NO. RE11CRD (REQ11CRDB), PRODUCT 964 77 31-00
ELECTRICAL



REPAIR PARTS

www.ersatzteil-service.de

TRACTOR- -MODEL NO. RE11CRD (REQ11CRDB), PRODUCT 964 77 31-00
ELECTRICAL

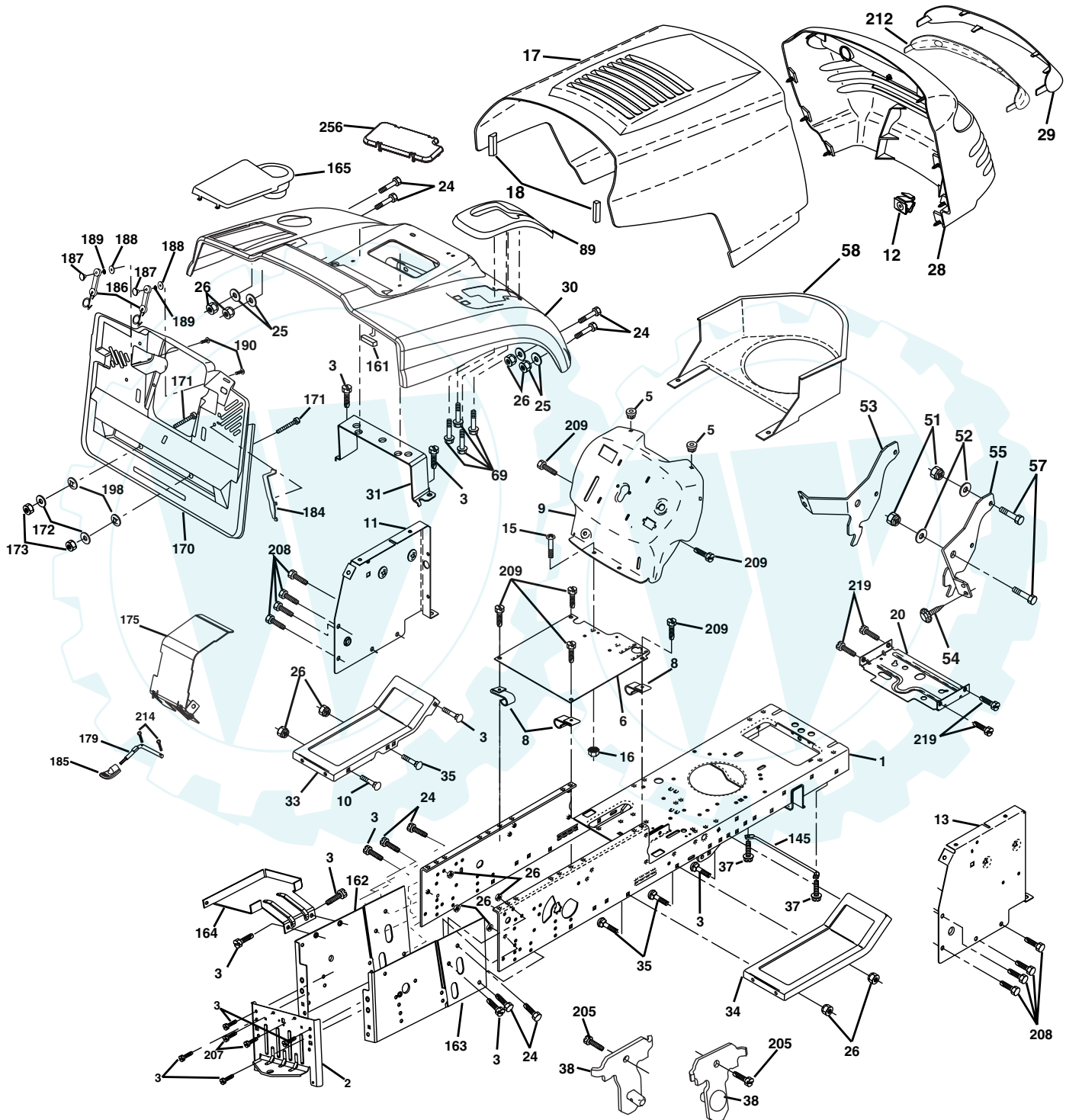
KEY NO.	PART NO.	DESCRIPTION
1	163465	Battery
2	74760412	Bolt Hex Hd 1/4-20 Unc X 3/4
16	176138	Switch Interlock
24	4799J	Cable Starter 6Ga 11" Red
25	165987	Cable Battery Crd 56" Red
26	175158	Fuse 20 Amp
27	73510400	Nut Keps Hex 1/4-20 Unc
28	127725	Cable Ground 6 Ga 18" Black
29	160784	Switch Plunger Normal Op Olive
30	175567	Switch Ignition
33	140401	Key Ign
40	180020	Harness Ign
41	71110408	Bolt Flk Fin Hex 1/4-20 Unc X 1/2
42	131563	Cover Terminal Red
43	178861	Solenoid
48	140844	Adapter Ammeter Rectangular
52	141940	Protection Wire Loop
58	169419	Buzzer Crd
59	180379	Switch FBI CRD
66	17490608	Screw Thdrol 3/8-16 x 1/2 Ty-Tt
81	109748	Relay Asm

NOTE: All component dimensions given in U.S. inches.
1 inch = 25.4 mm.

REPAIR PARTS

www.ersatzteil-service.de

TRACTOR- -MODEL NO. RE11CRD (REQ11CRDB), PRODUCT 964 77 31-00
CHASSIS AND ENCLOSURES



REPAIR PARTS

www.ersatzteil-service.de

TRACTOR- -MODEL NO. RE11CRD (REQ11CRDB), PRODUCT 964 77 31-00 CHASSIS AND ENCLOSURES

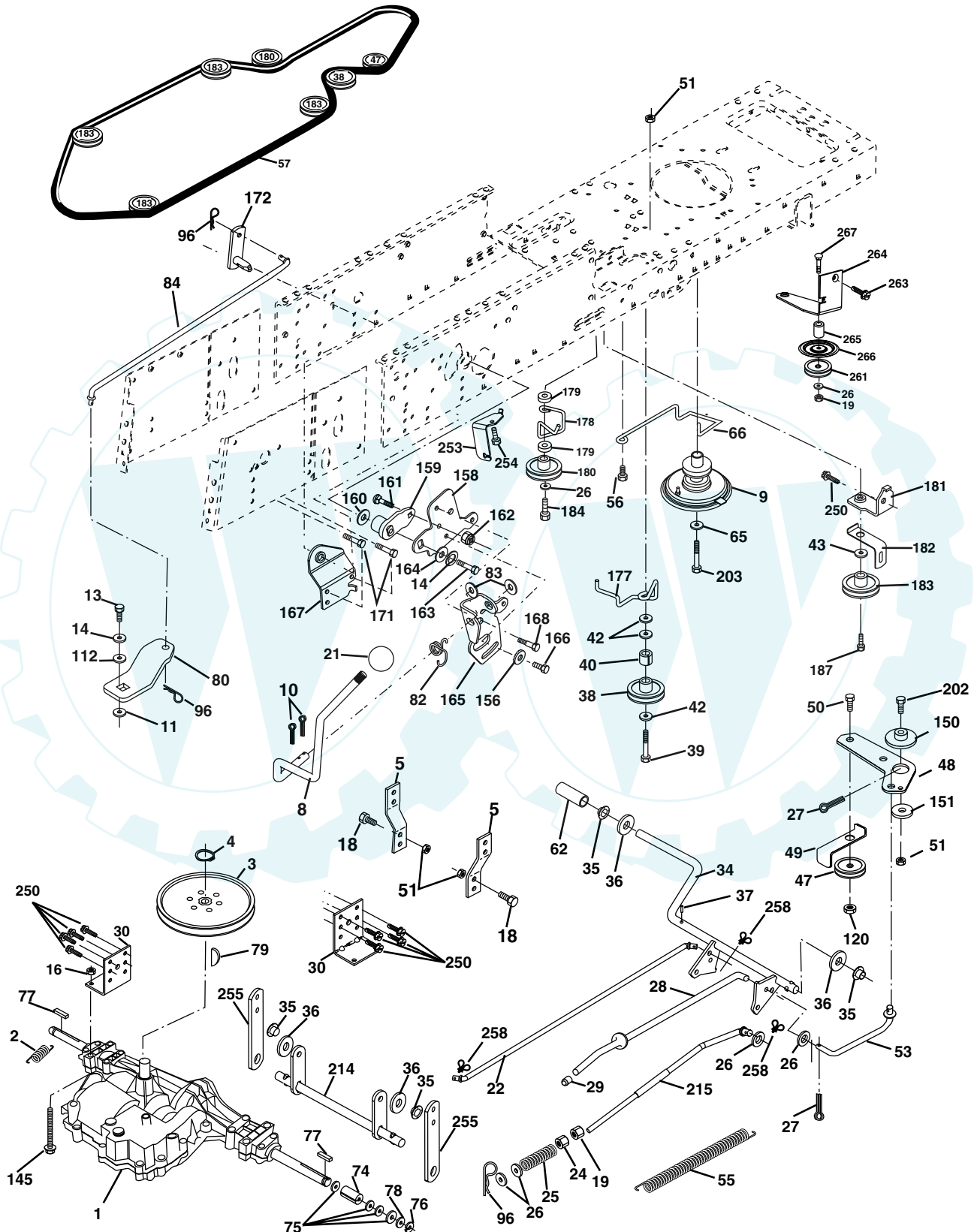
KEY NO.	PART NO.	DESCRIPTION	KEY NO.	PART NO.	DESCRIPTION
1	174620	Chassis	58	150127	Duct Air Engine
2	180384	Drawbar	69	142432	Screw Hex Wsh
3	17060612	Screw 3/8-16 x 3/4	89	177288X428	Console
5	155272	BumperHood/Dash	145	156524	Rod Pivot Chassis/Hood
6	155923	Saddle	162	180382	Bracket Exten Chassis Lh CRD
8	126471X	Clip Insulator 13/32 Mtg. Hole	163	180383	Bracket Exten Chassis Rh CRD
9	168347X011	Dash	164	165605	Support Battery CRD
10	72140608	Bolt, Carriage 3/8-16 x 3/4	165	179020X428	Cover Battery
11	174996	Panel, Dash, L.H.	170	178862	Backplate Asm CRD
12	145660	Clip Tinnerman	171	72140620	Bolt Rdhd Sqnk 3/8-16 x 2-1/2 Gr. 5
13	172105X010	Panel, Asm. Dash R.H.	172	19132016	Washer 13/32 x 1-1/4 x 16 Ga.
15	74180512	Screw, Machine, Truss Head 5/16-18 UNC x 3/4	173	73510600	Nut, Keps Hex 3/8-16 UNC
16	73510500	Nut	175	180310	Guard Trap
17	159639X505	Hood	179	180376	Rod Pivot FBI CRD
18	126938X	BumperHood	184	174662	Bracket Actuator Bagger CRD
20	180679	Plate Mtg. Battery/Tank	185	179608X505	Knob Rod Brake Parking
24	74780616	Bolt	186	160793	Latch Asm Mulch/Bagger
25	19131312	Washer 13/32 x 13/16 x 12 Gauge	187	2029J	Nut Weld
26	73800600	Nut	188	19061216	Washer #10
28	179103	Grille /Lens Asm	189	10071000	Washer Lock #10
29	140273X428	Lens, Grille	190	71081010	Screw Pan Hd Phillip 10-24 x 5/8
30	169962	Fender	198	168937	Nut, Push
31	165156	Bracket, Fender Support	205	17490608	Screw Thdrol 3/8-16 x 1/2
33	179716X505	Footrest, L.H.	208	17670608	Screw Thdrol 3/8-16 x 1/2
34	179717X505	Footrest, R.H.	209	17000612	Screw Hex Wsh Thdrol 3/8-16
35	72110606	Bolt	212	156229	Insert Lens Reflective
37	17490508	Screw Thdrol 5/16-18 x 1/2 TYT	214	4497H	Retainer Spring
38	181748	Bracket Asm Pivot Mower Rear	215	17060508	Screw 5/16-18 x 1/2
51	73800400	Nut Lock w/Ins 1/4-20	219	17000512	Screw 5/16-18 x 3/4
52	19091416	Washer 9/32 x 7/8 x 16 Ga.	256	180810X428	Cover Fender Rack CRD
53	144697	Bracket Grille Lh P/L	--	5479J	Plug, Button
54	151464	Screw Hex WSHD 8-18 x 7/8			
55	144696	Bracket grille RH P/L			
57	74780412	Bolt Fin Hex 1/4-20 x 3/4			

NOTE: All component dimensions given in U.S. inches.
1 inch = 25.4 mm.

REPAIR PARTS

www.ersatzteil-service.de

TRACTOR- -MODEL NO. RE11CRD (REQ11CRDB), PRODUCT 964 77 31-00
DRIVE



REPAIR PARTS

www.ersatzteil-service.de

TRACTOR- -MODEL NO. RE11CRD (REQ11CRDB), PRODUCT 964 77 31-00 DRIVE

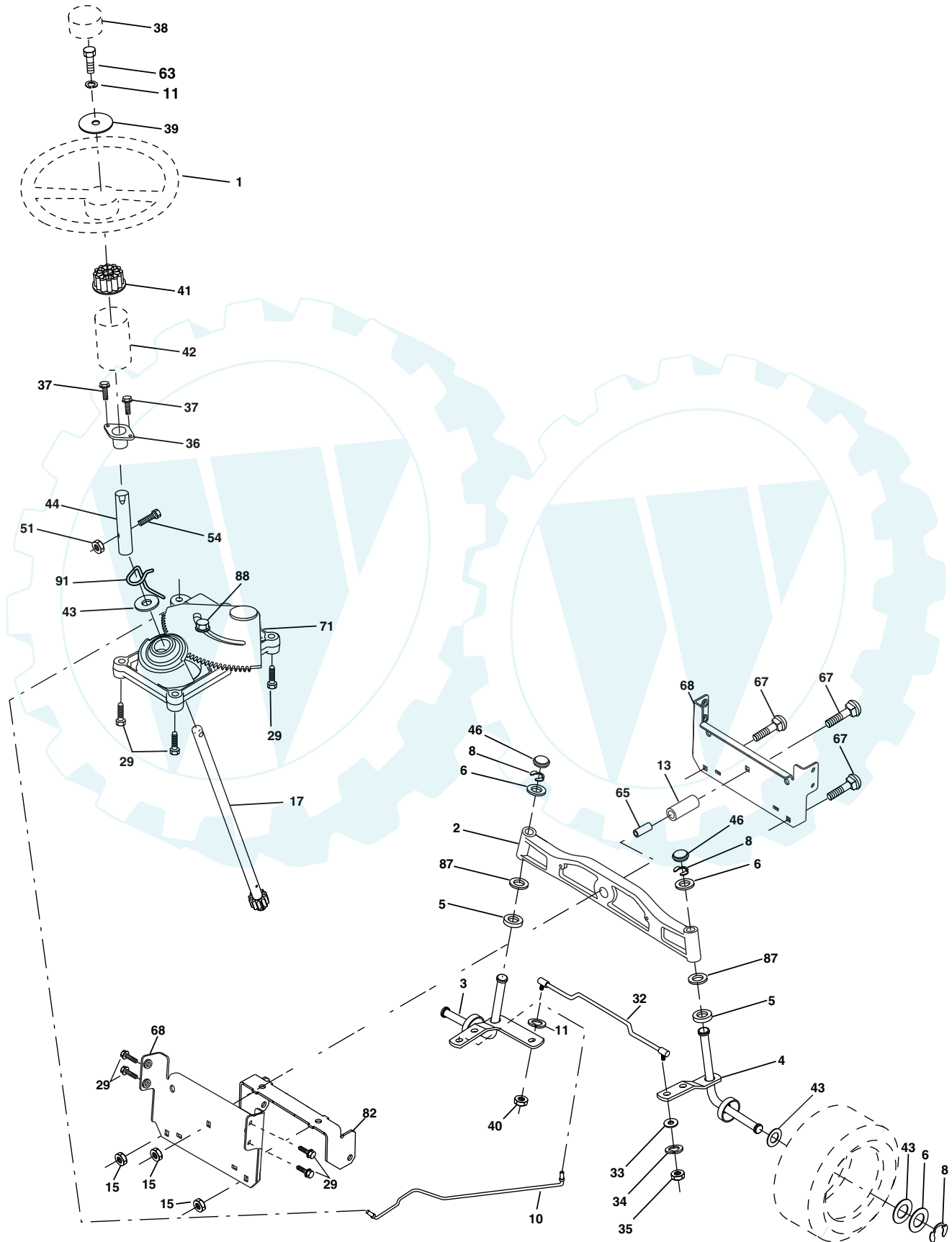
KEY NO.	PART NO.	DESCRIPTION	KEY NO.	PART NO.	DESCRIPTION
1	-----	Transaxle Peerless 206-546 (Order parts from transaxle manufacturer)	80	145090	Arm Shift PMST 20" Tires
2	146682	Spring Brake Return	82	165711	Spring, Torsion
3	165999	Pulley Transaxle	83	19171216	Washer 17/32 x 3/4 x 16 Ga.
4	12000028	Ring Retainer #5100-62	84	165621	Link Shift CRD Pmst 18" Tires
5	121520X	Strap torque 30 degrees	96	4497H	Spring, Retainer 1"
8	165619	Rod Shift Fender Adjust Lt	112	19091210	Washer 9/32 x 3/4 x 10 Ga.
9	180354	Clutch Asm Noram	120	73900600	Nut Lock Flg. 3/8-16 UNC
10	76020416	Pin, Cotter 1/8 x 1	145	74490540	Bolt Hex FGHD 5/16-18 x Gr 5
11	105701X	Washer Plate Shf .3888 sq hole	150	165850	Bushing, Bellcrank Grnd Dr
13	74550412	Bolt 1/4-28 Unf Gr 8 w/patch	151	19133210	Washer 13/32 x 2 x 10 Ga.
14	10040400	Washer, Lock Hvy Helical	156	166002	Washer Srrd 5/16 ID x 1.125
16	73800500	Nut, Lock Hex w/Ins 5/16-18 UNC	158	165589	Bracket Shift Mount
18	74780616	Bolt Hex 3/8-16 UNC x 1 Gr.5	159	165494	Hub Tapered Flange Shift Lt
19	73800600	Nut, Lock Hex w/Ins 3/8-16 UNC	160	19292016	Washer 29/32 x 1-1/4 x 16 Ga.
21	106933X	Knob Rd 1/2-13 Plstc Thds Blk	161	72140406	Bolt Rdhd Sqnk 1/4-20 x 3/4 Gr 5
22	175607	Rod, Brake CRD	162	73680400	Nut Crownlock 1/4-20 UNC
23	180302	Bracket Pnt Clutch Noram	163	74780416	Bolt Hex Fin 1/4-20 Unc x 1 Gr 5
24	73350600	Nut	164	19091010	Washer 5/8 x .281 x 10 Ga.
25	106888X	Spring, Rod, Brake	165	165623	Bracket Pivot Lever
26	19131316	Washer 13/32 x 13/16 x 16 Ga.	166	166880	Screw 5/16-18 x 5/8
27	76020412	Pin, Cotter 1/8 x 3/4	167	165588	Bracket Support Shift CRD
28	175765	Rod, Parking Brake	168	165492	Bolt Shoulder 5/16-18 x .561
29	71673	Cap, Parking Brake	171	17490608	Screw Thdrol 3/8-16 x 1/2 Ty-Tt
30	174973	Bracket, Mfg. Transaxle	172	165635	Shaft Asm Shift Front CRD PMST
34	175578	Shaft, Asm Pedal Foot	177	165932	Keeper Flat Idler 3.06" CRD
35	120183X	Bearing, Nylon	178	165933	Keeper Belt Idler 1.88" CRD
36	19211616	Washer 21/32 x 1 x 16 Ga.	179	120958X	Washer Sintered
37	1572H	Pin, Roll 3/16 x 1"	180	165630	Pulley Flat Idler
38	165936	Pulley, Flat	181	180211	Bracket Idler Ground Drive CRD
39	74760644	Bolt Fin Hex 3/8-16 Unc x 2-3/4	182	165634	Keeper Belt 2.5" Od V-Idler CRD
40	4470J	Spacer, Split 395 x 59 Bzp	183	179050	Pulley V-Idler
42	19131312	Washer 13/32 x 13/16 x 12 Ga.	184	17490644	Screw Hexwsh Thdrol 3/8-16 x 2-3/4
47	127783	Pulley, Idler, V Groove Plstc	187	17580520	Screw thdrol 5/16-18 x 1.25
48	154407	Bellcrank Clutch Grnd Drv	202	72110612	Bolt Carr Sh 3/8-16 x 1-1/2 Gr. 5
49	123205X	Retainer, Belt Style Spring	203	71170780	Bolt Hex 7/16-20 x 5
50	74760624	Bolt Hex Hd 3/8-16 UNC x 1-1/2	214	175609	Shaft Asm Blade
51	73680600	Nut, Crownlock 3/8-16 UNC	215	175651	Rod Brake Secondary
53	105710X	Link, Clutch 7.66	250	17060612	Screw 3/8-16 x .75
55	105709X	Spring, Return, Clutch	253	175028	Bracket Cable Chassis
56	17060620	Screw 3/8-16 x 1-1/4	254	17060616	Screw 3/8-16 x 1
57	165631	V-Belt Kev PMST CRD	255	175608	Brace Shaft Brake Mtg.
62	8883R	Cover, Pedal	258	178062	Clip Retainer
65	10040700	Washer	261	173438	Pulley Idler Flt Plated 3.06
66	154778	Keeper, Belt Engine F-Proof	263	17000612	Screw Hex Wsh Thdrol 3/8-16 x 3/4
74	137057	Spacer Axle	264	181995	Bracket Clutch Mounting
75	121749X	Washer 25/32 x 1-1/4 x 16 Ga.	265	182013	Spacer Idler Chassis
76	12000001	Ring, E	266	182061	Shield Idler Mower
77	123583X	Key, Square	267	72140624	Bolt RDHD SQNK 3/8-16unc x 3
78	121748X	Washer 25/32 x 1-5/8 x 16 Ga.			
79	2228M	Key Woodruff			

NOTE: All component dimensions given in U.S. inches
1 inch = 25.4 mm

REPAIR PARTS

www.ersatzteil-service.de

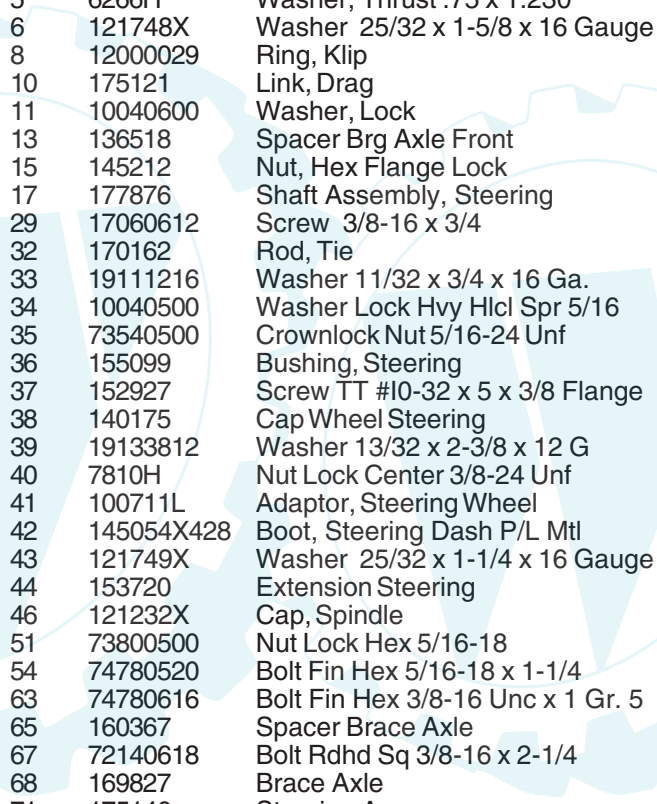
TRACTOR- -MODEL NO. RE11CRD (REQ11CRDB), PRODUCT 964 77 31-00 STEERING ASSEMBLY



REPAIR PARTS

www.ersatzteil-service.de

TRACTOR- -MODEL NO. RE11CRD (REQ11CRDB), PRODUCT 964 77 31-00 STEERING ASSEMBLY



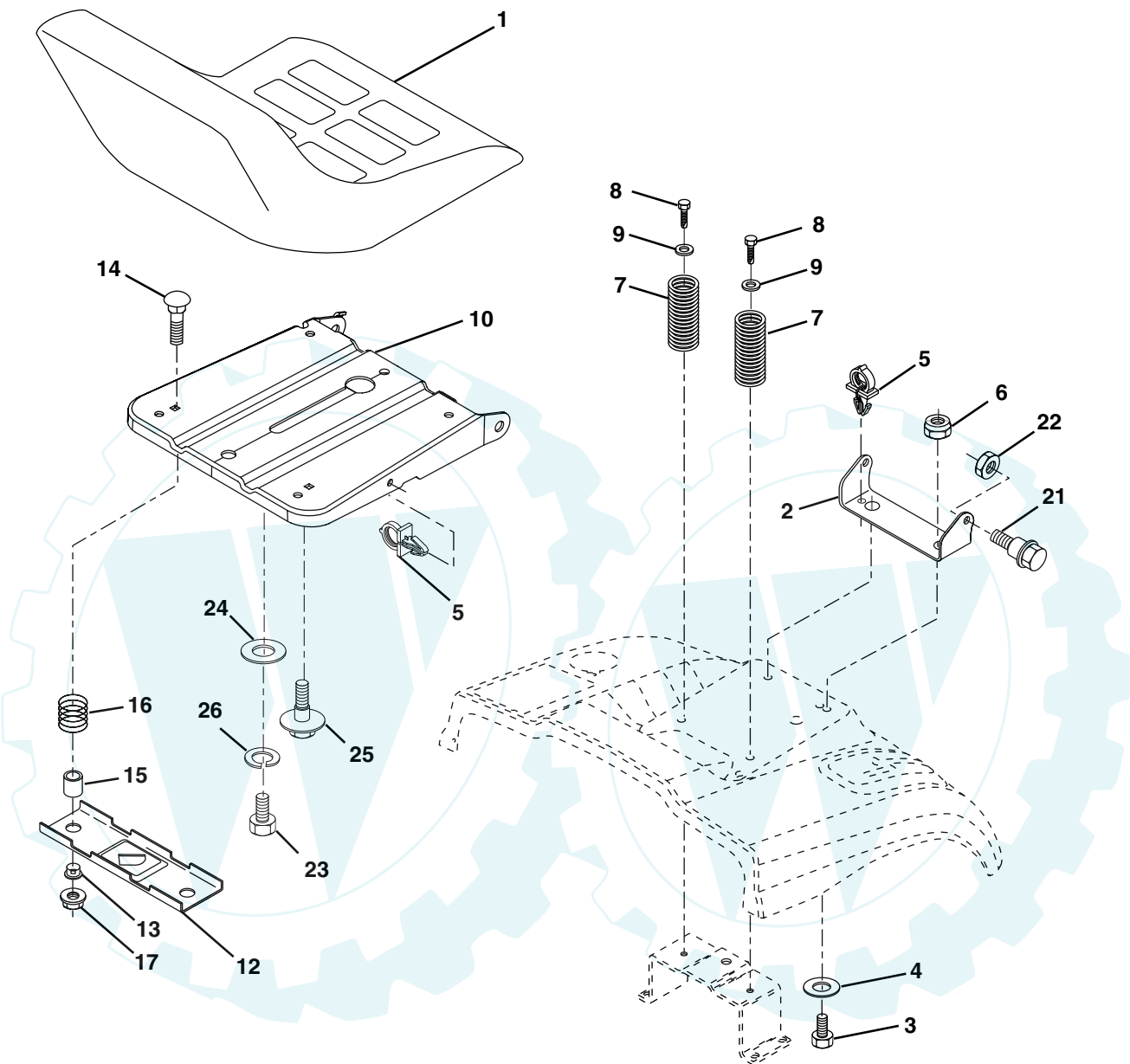
KEY NO.	PART NO.	DESCRIPTION
1	139768	Steering Wheel
2	172393	Axle Asm Cast Iron Lt
3	169840	Spindle Assembly, L.H.
4	169839	Spindle Assembly, R.H.
5	6266H	Washer, Thrust .75 x 1.230
6	121748X	Washer 25/32 x 1-5/8 x 16 Gauge
8	12000029	Ring, Klip
10	175121	Link, Drag
11	10040600	Washer, Lock
13	136518	Spacer Brg Axle Front
15	145212	Nut, Hex Flange Lock
17	177876	Shaft Assembly, Steering
29	17060612	Screw 3/8-16 x 3/4
32	170162	Rod, Tie
33	19111216	Washer 11/32 x 3/4 x 16 Ga.
34	10040500	Washer Lock Hvy Hlcl Spr 5/16
35	73540500	Crownlock Nut 5/16-24 Unf
36	155099	Bushing, Steering
37	152927	Screw TT #10-32 x 5 x 3/8 Flange
38	140175	Cap Wheel Steering
39	19133812	Washer 13/32 x 2-3/8 x 12 G
40	7810H	Nut Lock Center 3/8-24 Unf
41	100711L	Adaptor, Steering Wheel
42	145054X428	Boot, Steering Dash P/L Mtl
43	121749X	Washer 25/32 x 1-1/4 x 16 Gauge
44	153720	Extension Steering
46	121232X	Cap, Spindle
51	73800500	Nut Lock Hex 5/16-18
54	74780520	Bolt Fin Hex 5/16-18 x 1-1/4
63	74780616	Bolt Fin Hex 3/8-16 Unc x 1 Gr. 5
65	160367	Spacer Brace Axle
67	72140618	Bolt Rdhd Sq 3/8-16 x 2-1/4
68	169827	Brace Axle
71	175146	Steering Asm.
82	169835	Bracket Susp Chassis Front 15"
87	173966	Washer Flat .781 x 1-1/2 x .14
88	175118	Bolt Shoulder 7/16-20 UNC
91	175553	Clip Steering

NOTE: All component dimensions given in U.S. inches.
1 inch = 25.4 mm.

REPAIR PARTS

www.ersatzteil-service.de

TRACTOR- -MODEL NO. RE11CRD (REQ11CRDB), PRODUCT 964 77 31-00 SEAT ASSEMBLY



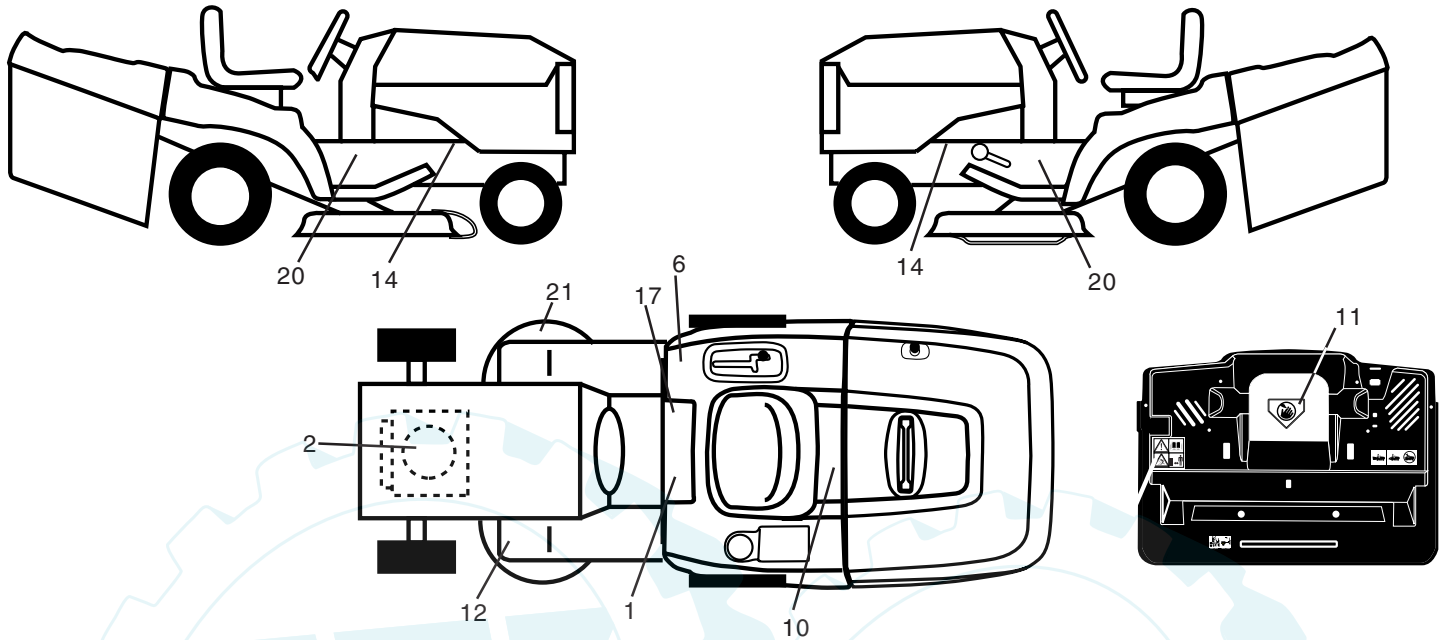
KEY NO.	PART NO.	DESCRIPTION
1	175389	Seat
2	140551	Bracket Pnt Pivot Seat (blk)
3	71110616	Bolt Fin Hex 3/8-16 x 1. Blk
4	19131610	Washer Flat 13/32 x 1 x 10 Ga.
5	145006	Clip Push In Hinged
6	73800600	Nut Lock Hex w/Ins 3/8-16
7	124181	Spring Seat Cprsn 2 250 Blk Zi
8	17000616	Screw 3/8-16 X 1-1/2
9	19131614	Washer 13/32 X 1 X 14 Ga
10	174894	Pan Pnt Seat (blk)
12	121246	Bracket Pnt Mounting Switch
13	121248	Bushing Snap Blk Nyl 50 Id

KEY NO.	PART NO.	DESCRIPTION
14	72050412	Bolt Rdhd Sht Nk 1/4-20x1-1/2
15	134300	Spacer Split
16	121250	Spring Cprsn Plate SW 1.310 Ga
17	123976	Nut Lock 1/4 Lge Flg Gr 5 Zinc
21	171852	Bolt Shoulder 5/16-18 Unc-2A
22	73800500	Nut Hex Lock w/Ins 5/16-18
23	71110814	Bolt Hex Black
24	19171912	Washer 17/32 X 1-3/16 X 12 Ga.
25	127018	Bolt Shoulder 5/16-18 X 62
26	10040800	Washer Lock Hvy Hlcl Spr 1/2

NOTE: All component dimensions given in U.S. inches.
1 inch = 25.4 mm

REPAIR PARTS

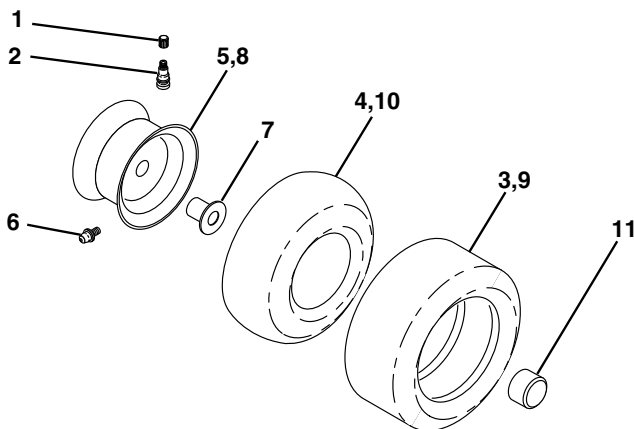
TRACTOR- -MODEL NO. RE11CRD (REQ11CRDB), PRODUCT 964 77 31-00 DECALS



KEY NO.	PART NO.	DESCRIPTION
1	145498	Decal Read Owner's Manual Sym
2	181650	Decal Hp Engine
6	180432	Decal 100 DBA
10	145005	Decal Bat Dan/Poi P/L Sym Wpn
11	145494	Decal Mower Cut Finger Symbol
12	159737	Decal Brake/Clutch Symbol Lt
14	159736	Decal Chassis Hot Muffler
17	140837	Decal Saddle Brake Parking
20	181148	Decal Chassis

KEY NO.	PART NO.	DESCRIPTION
21	166286	Decal Hex Belt Sch 92 CRD
—	138311	Decal Lift Handle
—	179769X428	Pad Footrest RH
—	179768X428	Pad Footrest LH
—	180435	Decal Symbols
—	182058	Manual Operator's (Euro)
—	182059	Manual Parts

WHEELS & TIRES



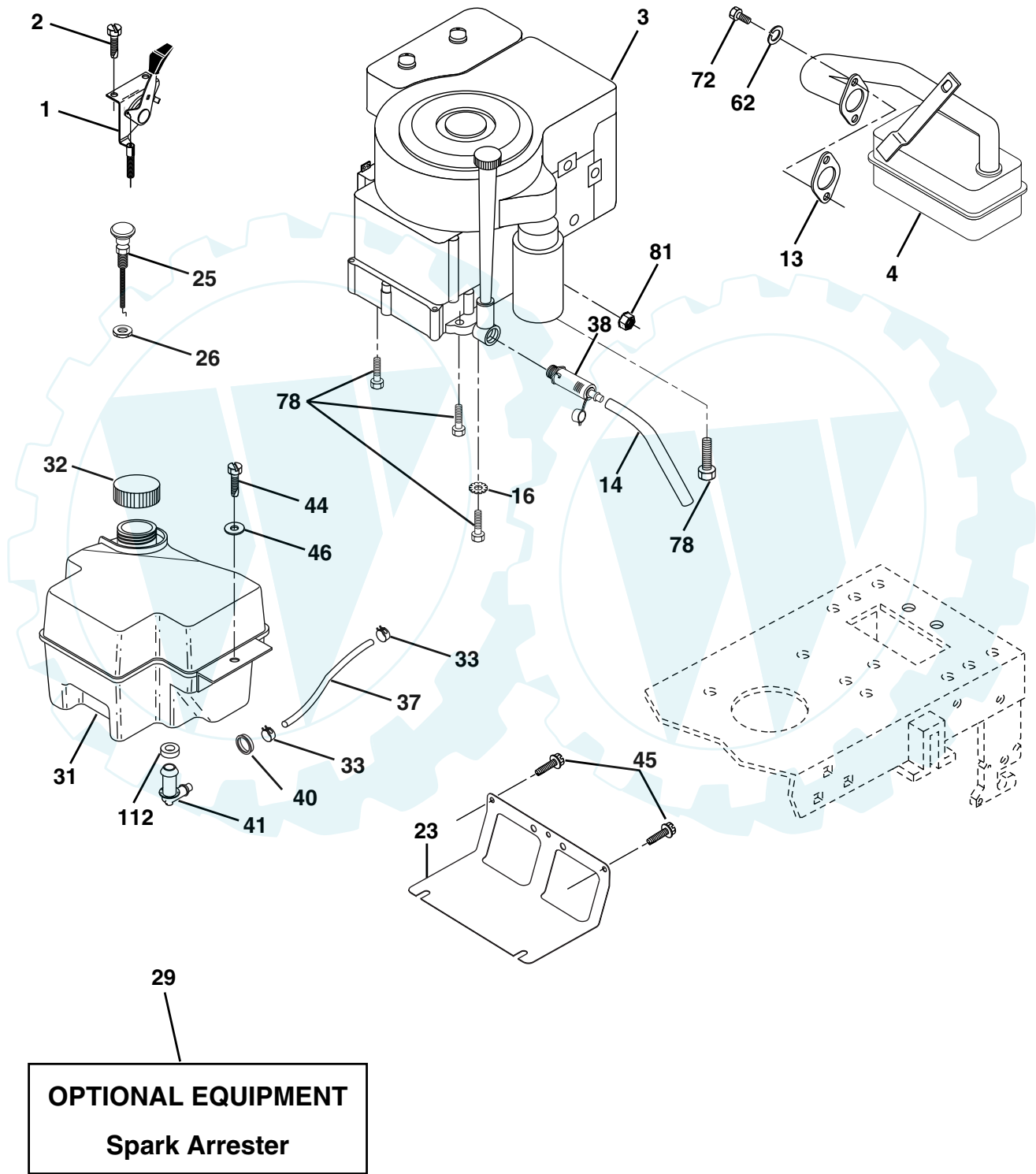
KEY NO.	PART NO.	DESCRIPTION
1	59192	Cap Value Tire
2	65139	Stem Value
3	106222	Tire F Ts 15 X 6 0 - 6 Service
4	59904	Tube InnerFront #35060
5	106732X427	Rim Asm 6"front Service
6	278H	Fitting Grease
7	9040H	Bearing Flange
8	106108X427	Rim Asm 8"rear Service
9	124635	Tire R Ts 20 x 8-8 Service
10	7152J	Tube Rear 9 5 X 8 Service
11	104757X428	Cap Axle Blk 1 50 X 1 00
--	144334	Sealant, Tire (10 oz. tube)

NOTE: All component dimensions given in U.S. inches
1 inch = 25.4 mm

REPAIR PARTS

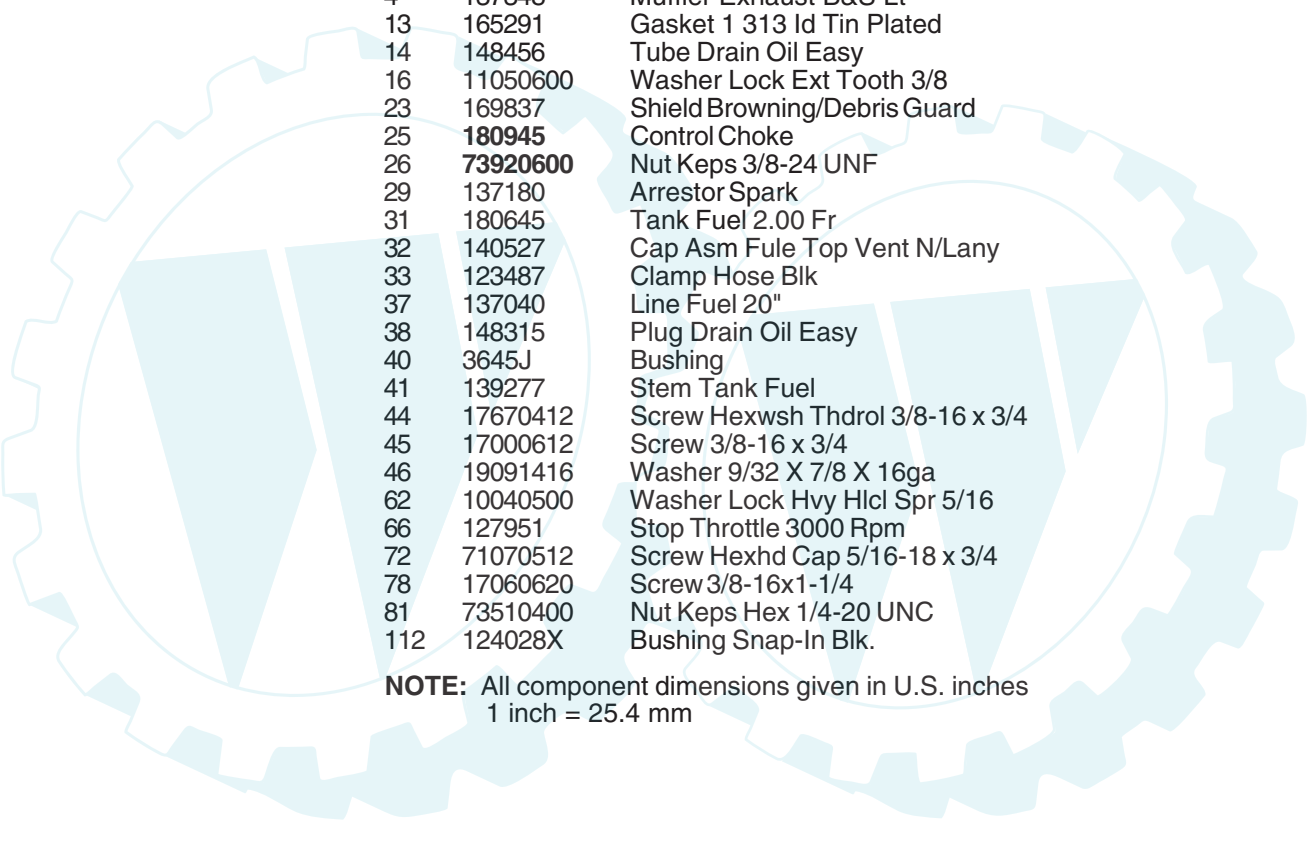
www.ersatzteil-service.de

TRACTOR- -MODEL NO. RE11CRD (REQ11CRDB), PRODUCT 964 77 31-00
ENGINE



REPAIR PARTS

TRACTOR- -MODEL NO. RE11CRD (REQ11CRDB), PRODUCT 964 77 31-00 ENGINE



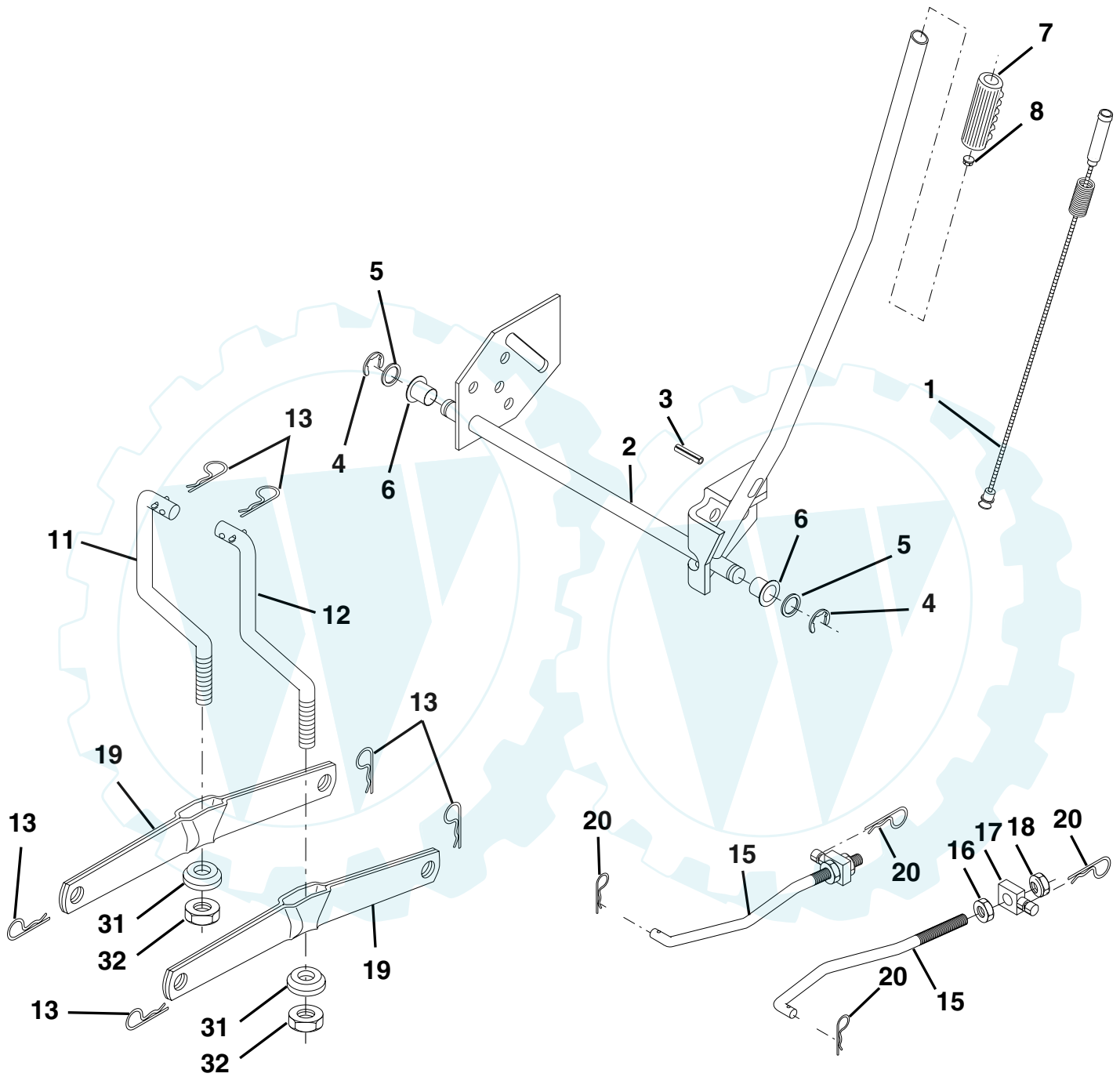
KEY NO.	PART NO.	DESCRIPTION
1	170551	Control Throt/Ch
2	17720408	Screw Hex Thd Cut 1/4-20x1/2
3	-----	Engine B&S Model 289707 (Order Parts from Engine Manufacturer)
4	137348	Muffler Exhaust B&S Lt
13	165291	Gasket 1 313 Id Tin Plated
14	148456	Tube Drain Oil Easy
16	11050600	Washer Lock Ext Tooth 3/8
23	169837	Shield Browning/Debris Guard
25	180945	Control Choke
26	73920600	Nut Keps 3/8-24 UNF
29	137180	Arrestor Spark
31	180645	Tank Fuel 2.00 Fr
32	140527	Cap Asm Fule Top Vent N/Lany
33	123487	Clamp Hose Blk
37	137040	Line Fuel 20"
38	148315	Plug Drain Oil Easy
40	3645J	Bushing
41	139277	Stem Tank Fuel
44	17670412	Screw Hexwsh Thdrol 3/8-16 x 3/4
45	17000612	Screw 3/8-16 x 3/4
46	19091416	Washer 9/32 X 7/8 X 16ga
62	10040500	Washer Lock Hvy Hlcl Spr 5/16
66	127951	Stop Throttle 3000 Rpm
72	71070512	Screw Hexhd Cap 5/16-18 x 3/4
78	17060620	Screw 3/8-16x1-1/4
81	73510400	Nut Keps Hex 1/4-20 UNC
112	124028X	Bushing Snap-In Blk.

NOTE: All component dimensions given in U.S. inches
1 inch = 25.4 mm

REPAIR PARTS

www.ersatzteil-service.de

TRACTOR- -MODEL NO. RE11CRD (REQ11CRDB), PRODUCT 964 77 31-00
MOWER LIFT



REPAIR PARTS

www.ersatzteil-service.de

TRACTOR- -MODEL NO. RE11CRD (REQ11CRDB), PRODUCT 964 77 31-00
MOWER LIFT

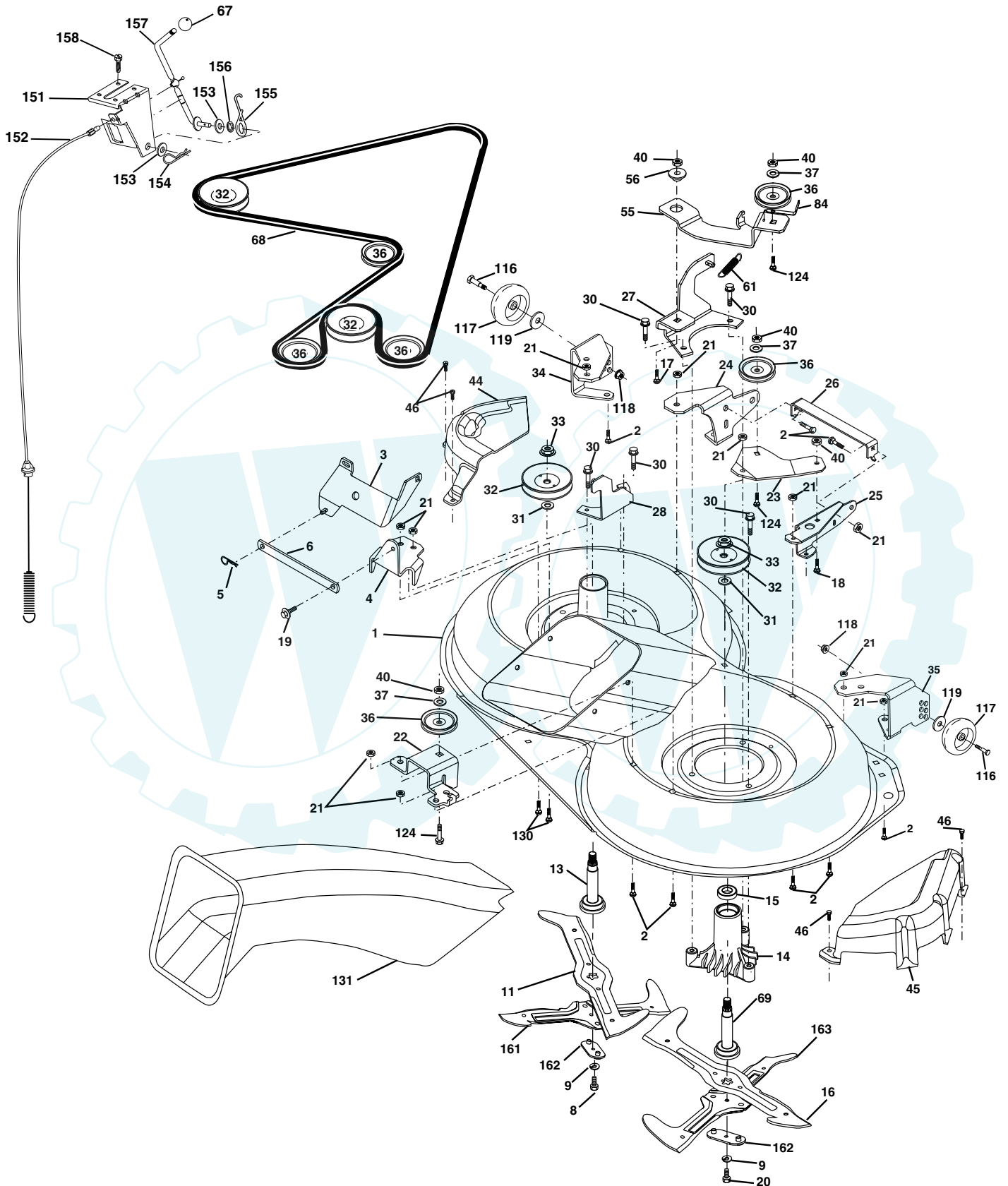
KEY NO.	PART NO.	DESCRIPTION
1	159460	Washer Asm Inner Spring W/Plunger
2	159471	Shaft Asm. Lift
3	105767	Pin Groove
4	12000002	E Ring #5133-62
5	19211621	Washer 21/32 x 1 x 21 Ga.
6	120183	Bearing Nylon
7	109413	Grip Handle Bicycle
8	124526	Button Plunger Black
11	165829	Link Asm Lift L.H.
12	165831	Link Asm Lift R.H.
13	4939M	Retainer Spring
15	173288	Link Front
16	73350800	Nut Jam Hex 1/2-13 Unc
17	175689	Trunnion Blk Zinc
18	73800800	Nut Lock w/Wsh 1/2-13 Unc
19	139868	Arm Suspension Mower
20	163552	Retainer Spring
31	169865	Bearing, Pvt. Lift.
32	73540600	Nut Crownlock 3/8-24

NOTE: All component dimensions given in U.S. inches
1 inch = 25.4 mm

REPAIR PARTS

www.ersatzteil-service.de

TRACTOR- -MODEL NO. RE11CRD (REQ11CRDB), PRODUCT 964 77 31-00
MOWER



REPAIR PARTS

www.ersatzteil-service.de

TRACTOR- -MODEL NO. RE11CRD (REQ11CRDB), PRODUCT 964 77 31-00 MOWER

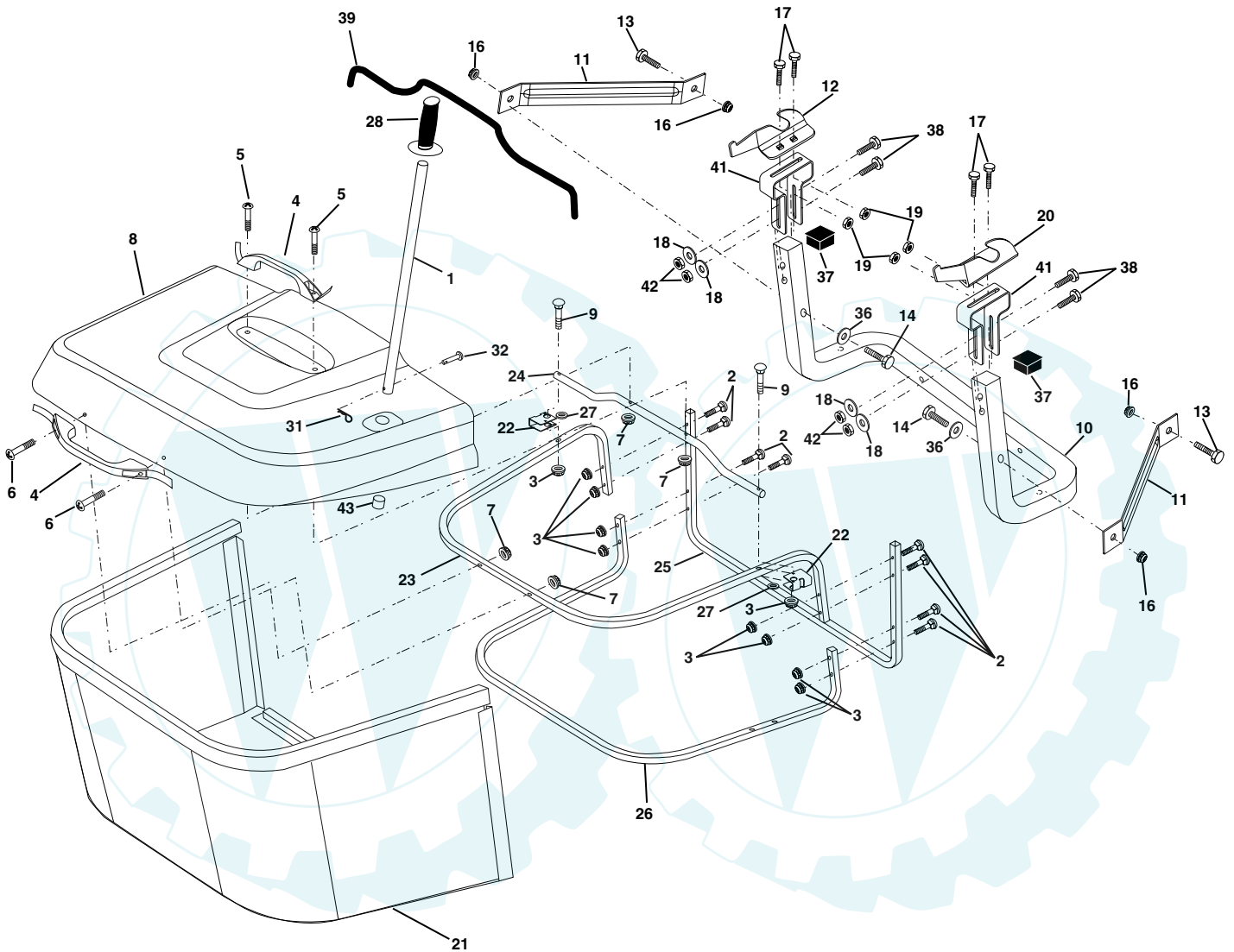
KEY NO.	PART NO.	DESCRIPTION	KEY NO.	PART NO.	DESCRIPTION
1	165552	Housing Asm. Mower	44	175538	Cover Mandrel Lh
2	72140506	Bolt Rdhd Sqnk 5/16-18 Unc x 3/4	45	175539	Cover Mandrel Rh
3	165569	Bracket Asm. S-Bar Chass	46	137729	Screw Thd Roll 1/4-20 x 5/8
4	165558	Bracket Bar Sway Deck	55	165445	Arm Idler
5	4939M	Retainer Spring	56	165723	Spacer Retainer PM Mower
6	165557	Bar Sway	61	165945	Spring Tension Belt
8	181713	Bolt 3/8-24 x 1.25 Gr8 Patched	67	106932	Knob Rd 3/8-16 Plstc Thds Blk
9	10030600	Washer Lock Hvy 3/8 Unplated	68	180217	Hex-Belt
10	140296	Washer Hard Blade Mower vented	69	165482	Shaft Asm W/Lwr Brg Rh Thd CRD
11	170037	Blade 3-1 Lh	84	156085	Keeper Belt Idler
13	137645	Shaft Asm. W/Lower Bearing	116	137644	Bolt Shoulder
14	128774	Housing Mandrel Vented (Machd)	117	133957	Wheel Gauge Donut Wide
15	110485	Bearing Ball Mandrel	118	73930600	Nut Centerlock 3/8-16 Unc
16	170038	Blade 3-1 Rh	119	19121414	Washer 3/8 x 7/8 x 14 Ga.
17	72140610	Bolt Carriage 3/8-16 x 1-1/4	124	72110612	Bolt Carr Sh 3/8-16 x 1-1/2 Gr5
18	72110608	Bolt Rdhd Sqnk 3/8-16 x 1 Gr5	130	72110506	Bolt Rdhdsqnk 5/16-18 Unc x 3/4
19	132827	Bolt Shoulder 5/16-18 Thd Form	131	165661	Chute Bagger CRD
20	181712	Bolt 3/8-24 x 1.25 Gr8 Ptch Lhthd	151	169670	Bracket Clutch Cable
21	73680500	Nut Crown Lock 5/16-18	152	176074	Cable Clutch CRD Service
22	165243	Bracket Idler Sprt RR	153	169674	Washer Flat 3/8" Type B
23	165446	Bracket Idler Sprt RF	154	169675	Spring Retainer
24	165242	Bracket Suspension LF	155	169671	Spring Retainer Lvr Cltch Cab
25	165244	Bracket Suspension RF	156	169672	Spacer Clutch Cable
26	165237	Brace Support Susp Frt CRD	157	169669	Rod Clutch Cable 3/8"
27	165568	Bracket Asm. Susp RR	158	17720410	Screw Hex Thdcut 1/4-20 x 5/8
28	165567	Bracket Asm. Susp LR	161	180418	Blade Cross LH
30	173984	Screw Thd Rolling DOD PT Hex	162	180420	Adapter Blade Cross
31	129963	Washer Spacer Mower Vented	163	180419	Blade Cross RH
32	153531	Mandrel Pulleys 36 & 46	--	130794	Mandrel Assembly (Includes Housing, Shaft and Shaft Hardware Only-Pulley Not Included)
33	178342	Nut Flg Top Lock	--	165579	Mandrel Asm CRD Lh Threads SVC
34	165239	Bracket Gauge Wheel Lf 92 CRD	--	181765	Replacement Mower, Complete
35	165238	Bracket Gauge Wheel Rf 92 CRD			
36	146763	Pulley Idler V-Groove Dim 4.25			
37	19131316	Washer 11/32 x 13/16 x 16 Ga			
40	73680600	Nut Crownlock 3/8-16 Unc			

NOTE: All component dimensions given in U.S. inches
1 inch = 25.4 mm

REPAIR PARTS

www.ersatzteil-service.de

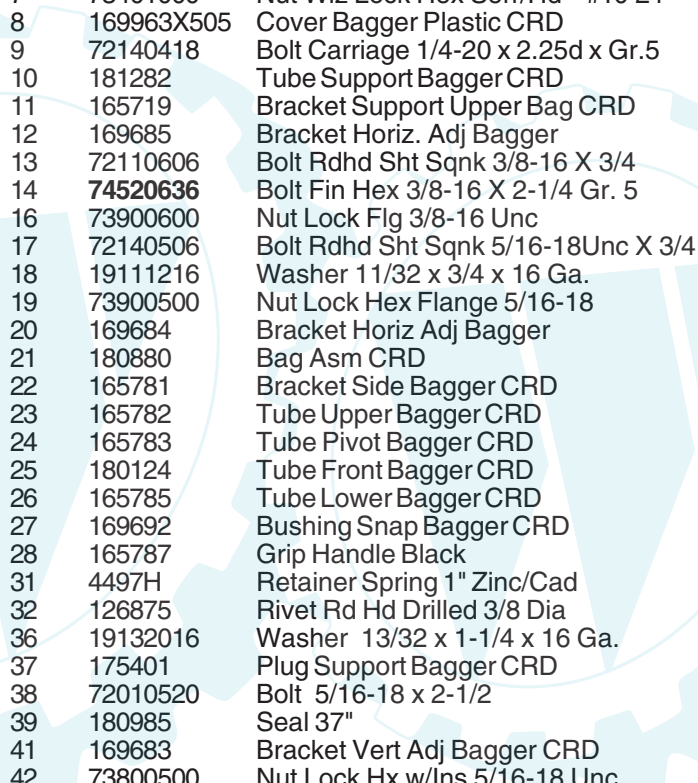
TRACTOR- -MODEL NO. RE11CRD (REQ11CRDB), PRODUCT 964 77 31-00
BAGGER



REPAIR PARTS

www.ersatzteil-service.de

**TRACTOR- -MODEL NO. RE11CRD (REQ11CRDB), PRODUCT 964 77 31-00
BAGGER**



KEY NO.	PART NO.	DESCRIPTION
1	165249	Tube Handle Bagger CRD
2	72140416	Bolt Carriage 1/4-20 X 2.0 Gr.5
3	123976	Nut Lock 1/4 Lge Flg Gr. 5 Zinc
4	169916	Handle Bagger w/Lvrs Gr. 5 Zinc
5	74981024	Screw Pan Head #10-24 X 1.50 Blk
6	74981032	Screw Pan Hd
7	73401000	Nut Wiz Lock Hex Serr/Hd #10-24
8	169963X505	Cover Bagger Plastic CRD
9	72140418	Bolt Carriage 1/4-20 x 2.25d x Gr.5
10	181282	Tube Support Bagger CRD
11	165719	Bracket Support Upper Bag CRD
12	169685	Bracket Horiz. Adj Bagger
13	72110606	Bolt Rdhd Sht Sqnk 3/8-16 X 3/4
14	74520636	Bolt Fin Hex 3/8-16 X 2-1/4 Gr. 5
16	73900600	Nut Lock Flg 3/8-16 Unc
17	72140506	Bolt Rdhd Sht Sqnk 5/16-18Unc X 3/4
18	19111216	Washer 11/32 x 3/4 x 16 Ga.
19	73900500	Nut Lock Hex Flange 5/16-18
20	169684	Bracket Horiz Adj Bagger
21	180880	Bag Asm CRD
22	165781	Bracket Side Bagger CRD
23	165782	Tube Upper Bagger CRD
24	165783	Tube Pivot Bagger CRD
25	180124	Tube Front Bagger CRD
26	165785	Tube Lower Bagger CRD
27	169692	Bushing Snap Bagger CRD
28	165787	Grip Handle Black
31	4497H	Retainer Spring 1" Zinc/Cad
32	126875	Rivet Rd Hd Drilled 3/8 Dia
36	19132016	Washer 13/32 x 1-1/4 x 16 Ga.
37	175401	Plug Support Bagger CRD
38	72010520	Bolt 5/16-18 x 2-1/2
39	180985	Seal 37"
41	169683	Bracket Vert Adj Bagger CRD
42	73800500	Nut Lock Hx w/Ins 5/16-18 Unc

NOTE: All component dimensions given in U.S. inches
1 inch = 25.4 mm



TECUMSEH

SERVICE POLICY WARRANTY



TECUMSEH

Issued January 1980
Revised January 1991

LIMITED WARRANTIES FOR NEW PEERLESS GEAR POWER TRAIN COMPONENTS

A. Products Warranted

Peerless Gear and Machine Division of Tecumseh Products Company ("Tecumseh"), subject to the limitations contained below, at its option, repair or replace, without charge for parts or labor only, any part of a new Power Train Component (which as used herein means and includes the transaxle, gear box, transmission, differential and right angle drives, and any part of the Power Train Component), EXCEPT any new Power Train Component incorporated in equipment used for commercial or rental purposes, which is found upon examination by any Tecumseh Authorized Service Outlet or by Tecumseh's factory in Grafton, Wisconsin, to be DEFECTIVE IN MATERIAL AND/OR WORKMANSHIP if received by Tecumseh or a Tecumseh Authorized Service Outlet for such examination within TWO YEARS from the date of sale to the original consumer purchaser of Peerless Series 820, 900, 910, 915, 920, 930 transaxles and Series 1100 angle drive and ONE YEAR for all other Peerless products. New Power Train Components incorporated in equipment used for commercial purposes are warranted in the same manner and to the same extent EXCEPT such Power Train Components are warranted for NINETY (90) DAYS ONLY, and must be received by Tecumseh or by a Tecumseh Authorized Service Outlet for such examination within 90 days from the date of sale to the original purchaser. New Power Train Components Incorporated in equipment used for rental purposes are warranted in the same manner and to the same extent EXCEPT such Power Train Components are warranted for THIRTY (30) DAYS ONLY, and must be received by Tecumseh or a Tecumseh Authorized Service Outlet within 30 days from the date of sale to the original purchaser.

B. Products And Items Not Warranted

1. Alterations or Modifications of Power Train Components.
2. Accidents, Normal Maintenance, Failure to follow the Original Equipment Manufacturer's Manual.

This warranty covers only parts of new Power Train Components which are found upon examination to be defective in material or workmanship as delivered to the original purchaser. This warranty does not cover defects caused by depreciation or damage caused by normal wear, accidents, improper maintenance, improper use or abuse of the product, failure to follow the instructions contained in an Instruction Manual for the operation of the Power Train Component and parts. The cost of normal maintenance and replacement of service items which are not defective shall be paid for by the original purchaser.

C. Securing Warranty Service

Warranty service can be arranged for by contacting either a Tecumseh Authorized Service Outlet (any Tecumseh Registered Service Dealer, Tecumseh Authorized Service Distributor, or Tecumseh Central Warehouse Distributor) or by contacting Tecumseh, c/o Service Manager, Engine and Transmission Group Service Division, 900 North Street, Grafton, Wisconsin 53024. Warranty service can only be performed by a Tecumseh Authorized Service Outlet or by Tecumseh at its factory in Grafton, Wisconsin. At the time of requesting warranty service, evidence must be presented of the date of sale to the original purchaser. The purchaser shall pay any charges for making service calls and/or for transporting the product to and from the place where the inspection and/or warranty work is performed. The purchaser shall be responsible for any damage or loss incurred in connection with the transportation of Power Train Components and/or part(s) of the Power Train Components submitted for inspection and/or warranty work.

D. Limitation of Damages and Implied Warranties

The foregoing EXPRESSED WARRANTY IS IN LIEU OF ALL OTHER EXPRESS WARRANTIES. Neither Tecumseh nor any of its affiliates makes any warranties, representations or promises, written or oral, as to the quality of the Power Train Component or any of its parts, other than as set forth herein.

ANY IMPLIED WARRANTY OF MERCHANTABILITY OR FITNESS FOR A PARTICULAR PURPOSE, TO THE EXTENT THAT EITHER MAY APPLY TO ANY PART(S) OF POWER TRAIN COMPONENTS, SHALL BE LIMITED IN DURATION TO THE PERIODS OF THE EXPRESSED WARRANTIES DEFINED IN PARAGRAPH A HEREOF. IN NO EVENT WILL TECUMSEH BE LIABLE FOR ANY INCIDENTAL, CONSEQUENTIAL OR SPECIAL DAMAGES AND/OR EXPENSES. Some states do not allow limitations on how long an implied warranty lasts or the exclusion or limitation of incidental or consequential damages, so the above limitation(s) or exclusion(s) may not apply to you. This warranty gives you specific legal rights and you may also have other legal rights which vary from state to state.

E. No Dealer Warranty

Tecumseh neither assumes nor authorizes any other person, natural or corporate, to assume for Tecumseh any other obligations or liabilities in connection with or with respect to any part(s) of a Power Train Component. The seller or dealer of part(s) of a Power Train Component has no authority, whatsoever, to make any representations or promises on behalf of Tecumseh or to modify the terms or limitations of Tecumseh's warranty in any way.