

REPAIR PARTS MANUAL

MODEL NO. RB125T92 (96061015200)

Lawn Tractor

HOW TO USE THIS MANUAL

This manual is designed to provide the customer with a means to identify the parts on his/her tractor when ordering repair parts. The illustrations may or may not represent the actual assemblies; therefore, it is not recommended to use this manual as a guide to assemble or disassemble the tractor. Some hardware and parts are drawn larger in order to more readily identify them.

Each tractor has its own model number.

The model number for your tractor can be found on the fender under the seat.

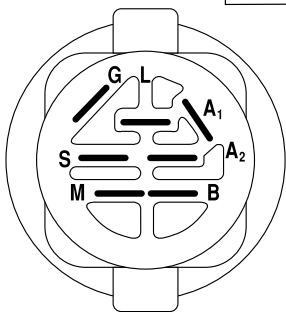
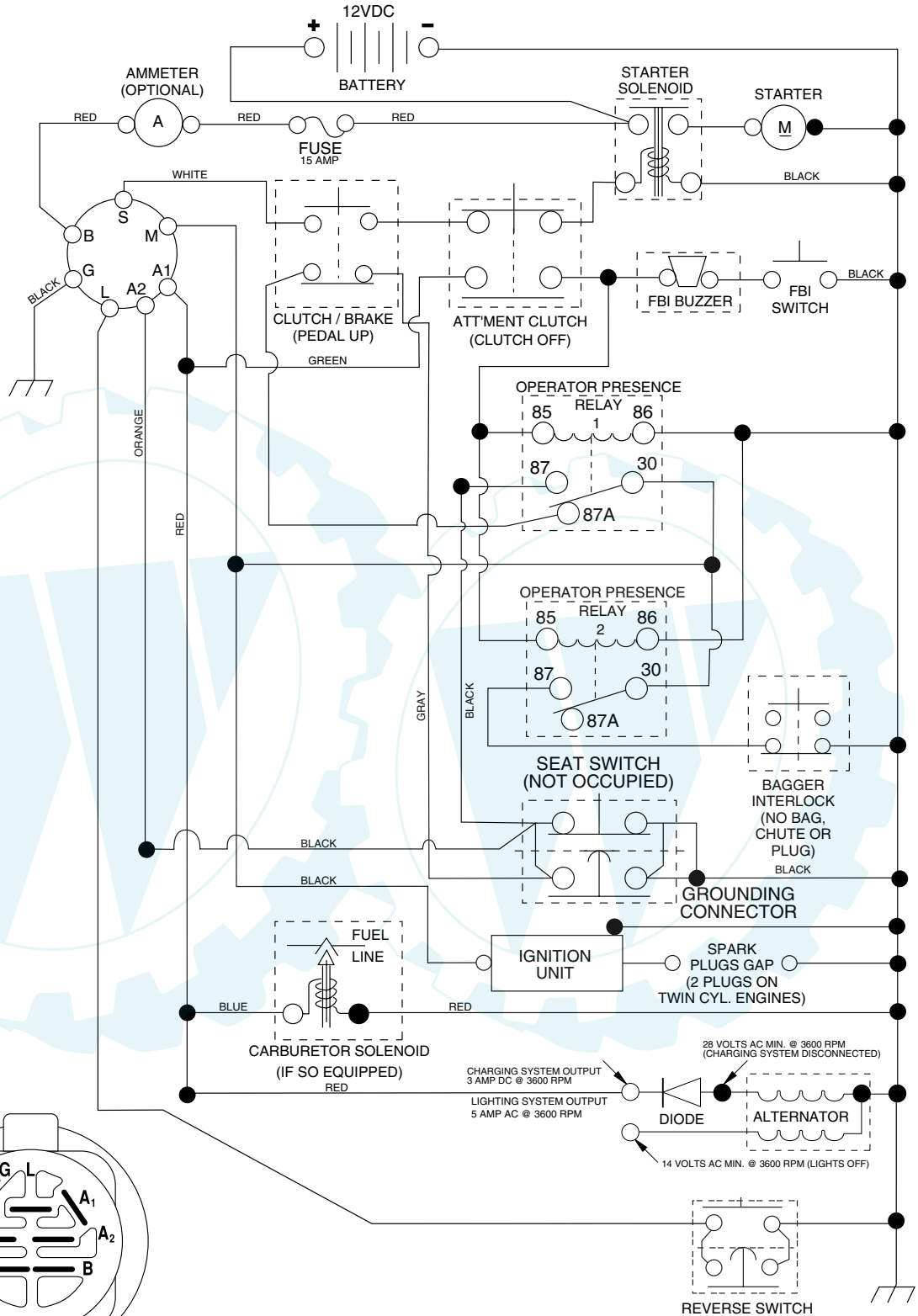
When ordering parts, always give the following information:

- Product - "Tractor"
- Model Number - "RB125T92 (9601015200)"
- Part Number
- Part Description

TABLE OF CONTENTS

SCHEMATIC	3
ELECTRICAL.....	4-5
CHASSIS.....	6-7
DRIVE.....	8-9
STEERING	10-11
SEAT	12
MOWER LIFT	13
ENGINE.....	14-15
MOWER DECK	16-17
BAGGER	18-19
DECALS.....	20

TRACTOR- -MODEL NO. RB125T92 (96061015200) PRODUCT NO. 960 61 01-52
 SCHEMATIC

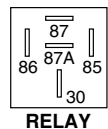


IGNITION SWITCH

POSITION	CIRCUIT	"MAKE"
OFF	M+G+A1	
RUN/OVERRIDE	B+A1	
RUN	B+A1	L+A2
START	B + S + A1	

WIRING INSULATED CLIPS

NOTE: IF WIRING INSULATED CLIPS WERE REMOVED FOR SERVICING OF UNIT, THEY SHOULD BE REPLACED TO PROPERLY SECURE YOUR WIRING.

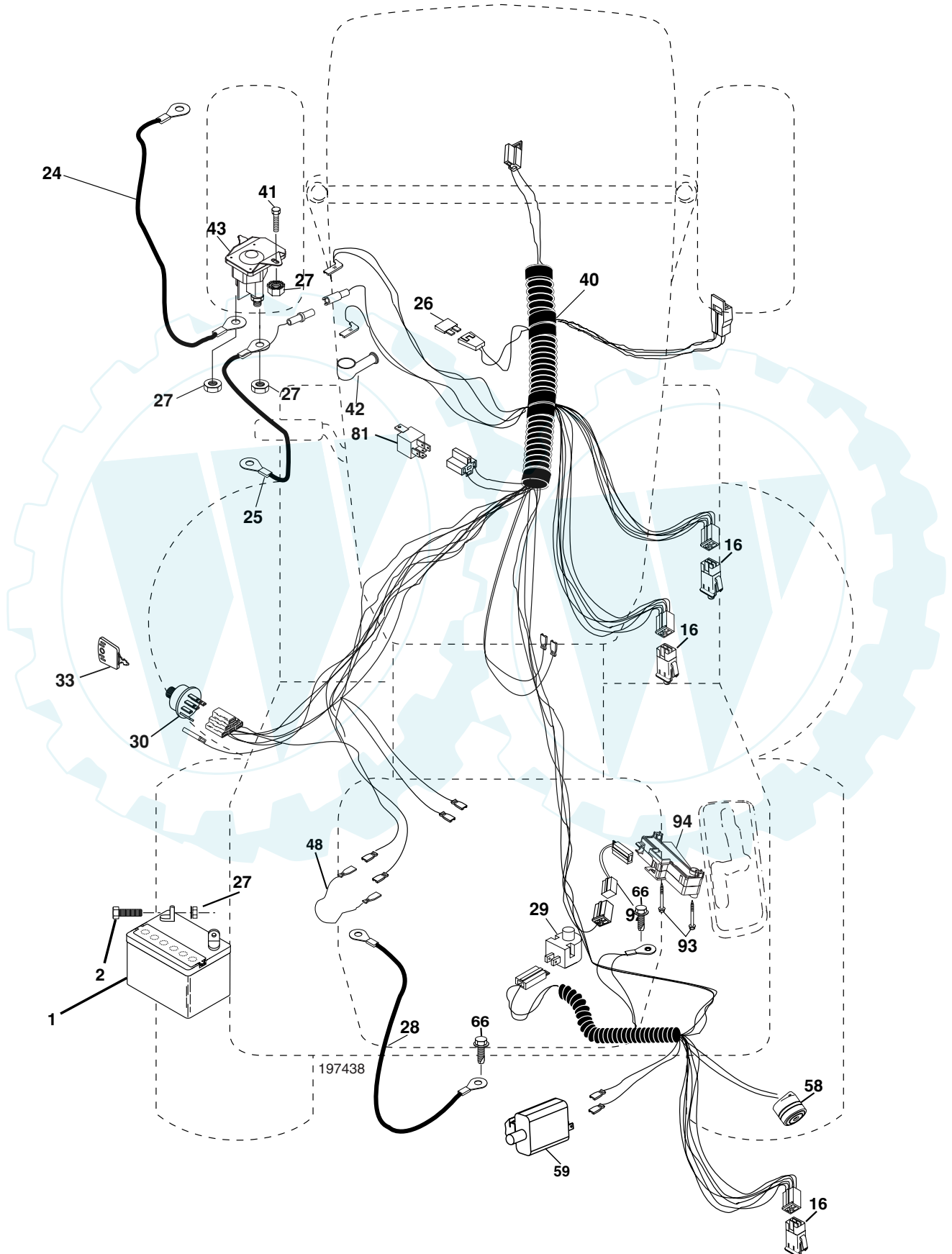


03051

REPAIR PARTS

www.ersatzteil-service.de

TRACTOR- -MODEL NO. RB125T92 (96061015200) PRODUCT NO. 960 61 01-52
ELECTRICAL



REPAIR PARTS

www.ersatzteil-service.de

TRACTOR- -MODEL NO. RB125T92 (96061015200) PRODUCT NO. 960 61 01-52
ELECTRICAL

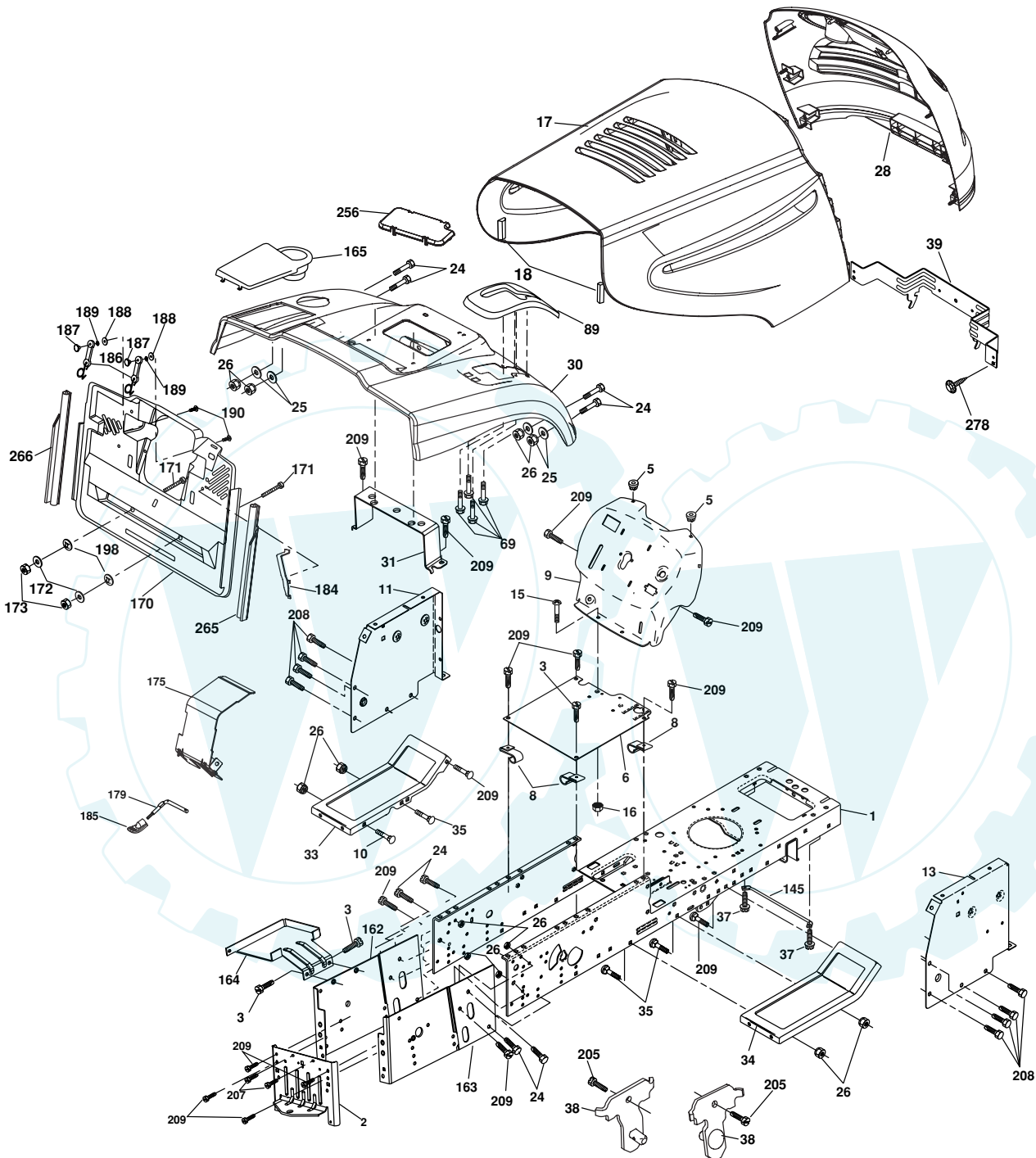
KEY NO.	PART NO.	DESCRIPTION
1	532 16 34-65	Battery
2	874 76 04-12	Bolt Hex Hd 1/4-20 unc x 3/4
16	532 17 61-38	Switch Interlock
24	532 12 47-80	Cable Starter 6 Ga. 11" Red
25	532 16 59-87	Cable Battery Crd 56" Red
26	532 17 51-58	Fuse
27	873 51 04-00	Nut Keps Hex 1/4-20 unc
28	532 12 77-25	Cable Ground 6 Ga. 18" Black
29	532 19 27-49	Switch Seat
30	532 19 33-50	Switch Ignition
33	532 14 04-01	Key Ign Molded
40	532 19 74-38	Harness Ign
41	871 11 04-08	Bolt Flk Fin Hex 1/4-20 unc x 1/2
42	532 13 15-63	Cover Terminal Red
43	532 19 25-07	Solenoid
48	532 14 08-44	Adapter Ammeter Rectangular
58	532 16 94-19	Buzzer Crd
59	532 18 03-79	Switch FBI CRD
66	817 49 06-08	Screw Thdrol 3/8-16 x 1/2 Ty-Tt
81	532 10 97-48	Relay Asm
92	532 19 66-15	Harness Pigtail
93	532 19 25-40	Screw Plastite 10-14 x 2.0
94	532 19 18-34	Module Reverse

NOTE: All component dimensions given in U.S. inches.
1 inch = 25.4 mm.

REPAIR PARTS

www.ersatzteil-service.de

TRACTOR- -MODEL NO. RB125T92 (96061015200) PRODUCT NO. 960 61 01-52
CHASSIS AND ENCLOSURES



chassis_Elite Basic_CRD_4

REPAIR PARTS

www.ersatzteil-service.de

TRACTOR- -MODEL NO. RB125T92 (96061015200) PRODUCT NO. 960 61 01-52 CHASSIS AND ENCLOSURES

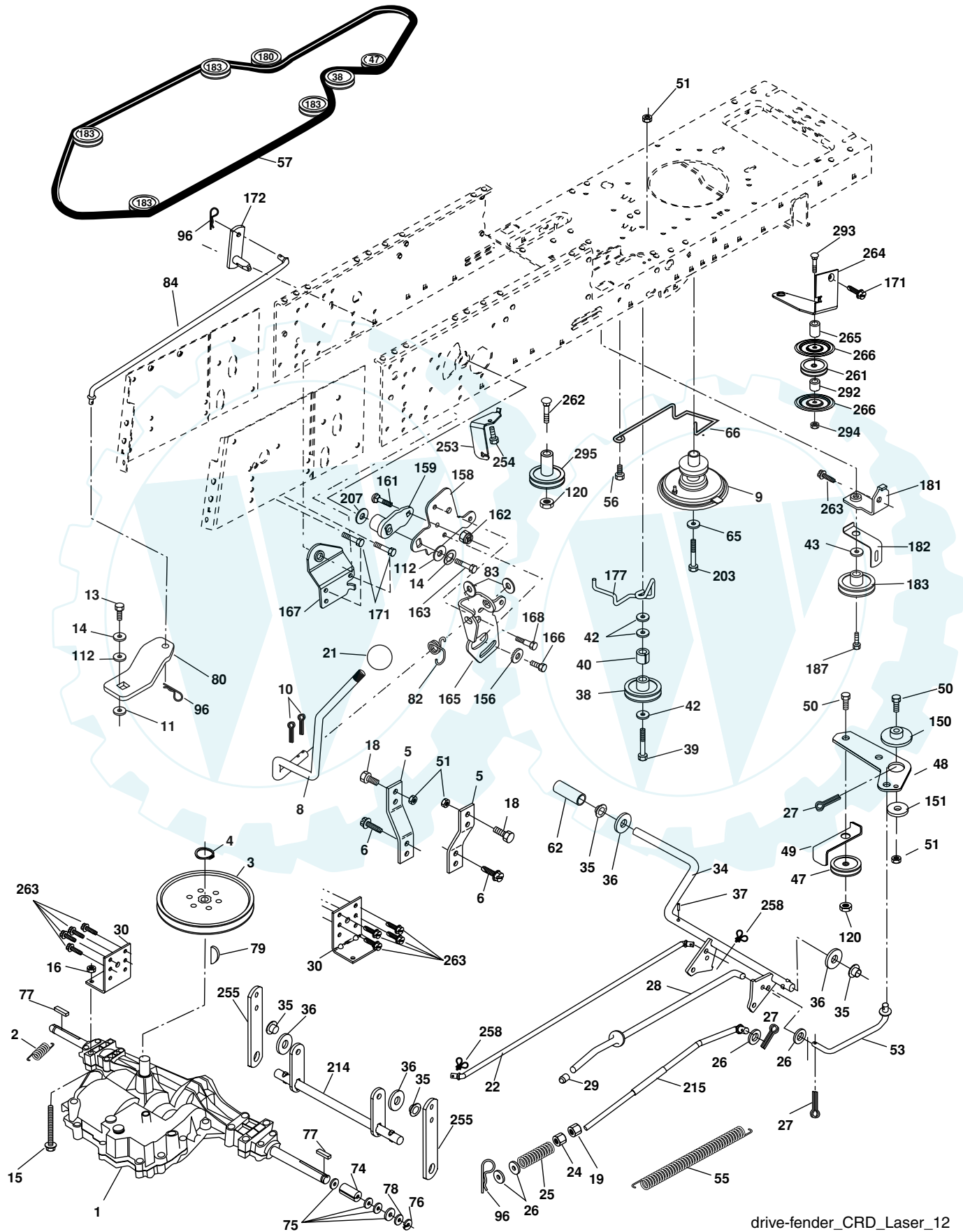
KEY NO.	PART NO.	DESCRIPTION	KEY NO.	PART NO.	DESCRIPTION
1	532 17 46-20	Chassis	163	532 18 03-83	Bracket Exten Chassis Rh CRD
2	532 18 03-84	Drawbar	164	532 16 56-05	Support Battery CRD
3	817 06 06-12	Screw 3/8-16 x 3/4	165	532 18 13-56	Cover Battery
5	532 15 52-72	Bumper Hood/Dash	170	532 19 94-88	Backplate CRD
6	532 18 44-19	Saddle	171	872 14 06-20	Bolt Rdhd Sqnk 3/8-16 x 2-1/2 Gr. 5
8	532 12 64-71	Clip Insulator 13/32 Mtg. Hole	172	819 13 20-16	Washer 13/32 x 1-1/4 x 16 Ga.
9	532 19 46-88	Dash	173	873 51 06-00	Nut, Keps Hex 3/8-16 unc
10	872 14 06-08	Bolt, Carriage 3/8-16 x 3/4	175	532 18 82-03	Door Trap
11	532 17 49-96	Panel, Dash, L.H.	179	532 18 82-02	Rod Pivot FBI CRD
13	532 18 69-52	Panel, Asm. Dash R.H.	184	532 17 46-62	Bracket Actuator Bagger CRD
15	874 18 05-12	Screw, Machine, Truss Head 5/16-18 unc x 3/4	185	532 18 11-01	Knob Rod Brake Parking
16	873 51 05-00	Nut	186	532 16 07-93	Latch Asm Mulch/Bagger
17	532 18 67-07	Hood	187	532 12 50-04	Nut Weld
18	532 18 49-21	Bumper Hood	188	819 06 12-16	Washer #10
24	874 78 06-16	Bolt	189	810 07 10-00	Washer Lock #10
25	819 13 13-12	Washer 13/32 x 13/16 x 12 Ga.	190	871 08 10-10	Screw Pan Hd Phillip 10-24 x 5/8
26	873 80 06-00	Nut	198	532 16 89-37	Nut, Push
28	532 18 67-18	Grille	205	817 49 06-08	Screw Thdrol 3/8-16 x 1/2
30	532 19 73-44	Fender	207	817 67 05-08	Screw Thdrl. 5/16-18 x 1/2
31	532 16 51-56	Bracket, Fender Support	208	817 67 06-08	Screw Thdrol 3/8-16 x 1/2
33	532 18 11-93	Footrest, L.H.	209	817 00 06-12	Screw Hex Wsh Thdrol 3/8-16
34	532 18 11-94	Footrest, R.H.	256	532 18 13-61	Cover Fender Rack
35	872 11 06-06	Bolt	265	532 18 57-04	Seal RH Side Bagger
37	817 49 05-08	Screw Thdrol 5/16-18 x 1/2 TYT	266	532 18 57-03	Seal LH Side Bagger
38	532 18 17-48	Bracket Asm Pivot Mower Rear	278	532 19 16-11	Screw 10 x 3/4 Single Lead Hex
39	532 17 47-14	Bracket Pivot	--	532 19 39-35	Plug Switch Light
69	532 14 24-32	Screw HxWsh Hi-Lo	--	532 18 78-01	Plug Dome Plastic
89	532 19 74-07	Console CRD 6 Sp. 418	--	532 00 54-79	Plug Button
145	532 15 65-24	Rod Pivot Chassis/Hood			
162	532 18 03-82	Bracket Exten Chassis Lh CRD			

NOTE: All component dimensions given in U.S. inches.
1 inch = 25.4 mm.

REPAIR PARTS

www.ersatzteil-service.de

TRACTOR- -MODEL NO. RB125T92 (96061015200) PRODUCT NO. 960 61 01-52
DRIVE



drive-fender_CRD_Laser_12

REPAIR PARTS

www.ersatzteil-service.de

TRACTOR- -MODEL NO. RB125T92 (96061015200) PRODUCT NO. 960 61 01-52 DRIVE

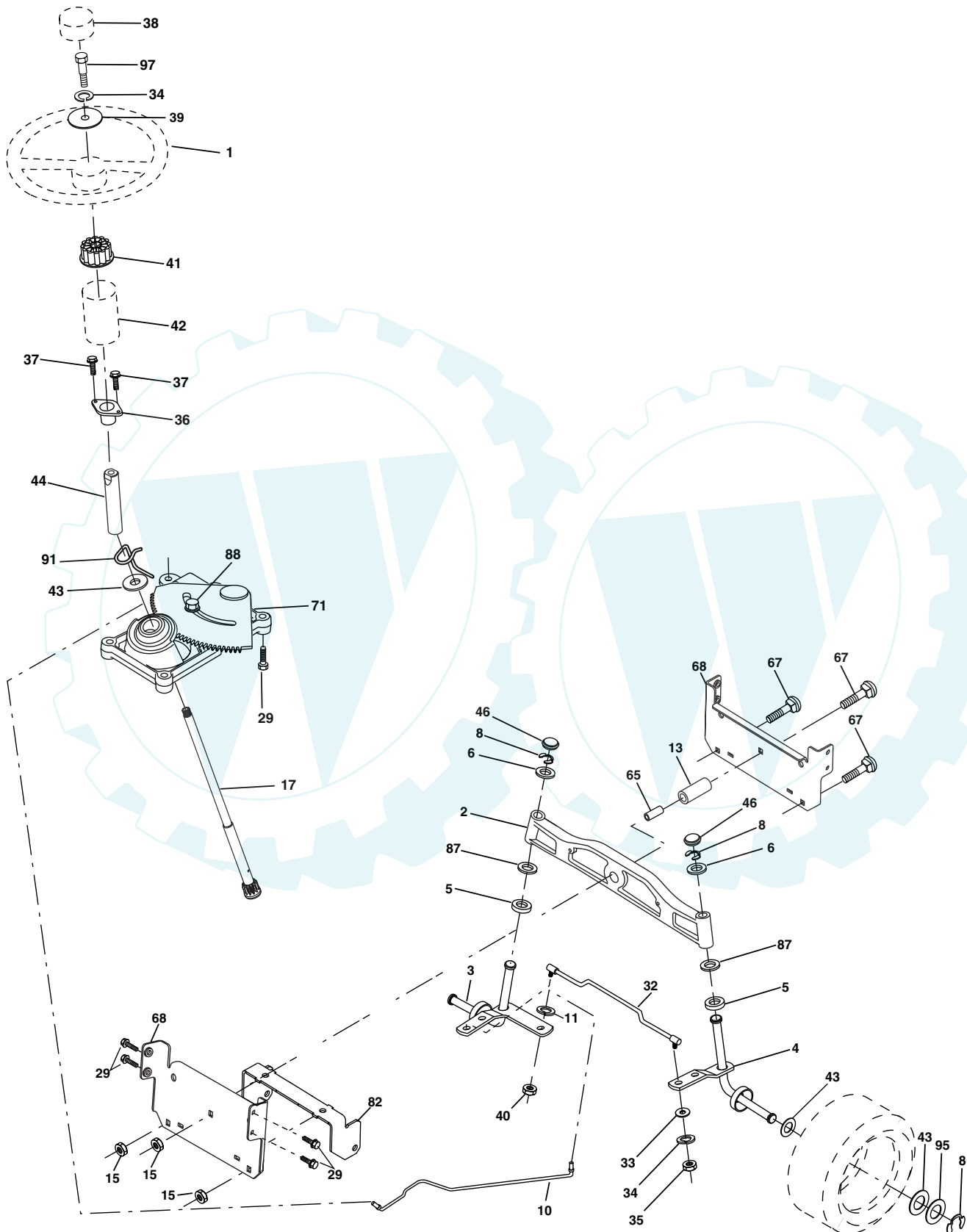
KEY NO.	PART NO.	DESCRIPTION	KEY NO.	PART NO.	DESCRIPTION
1	-----	Transaxle Peerless 206-546 (Order parts from transaxle manufacturer)	76	812 00 00-01	Ring, E
2	532 14 66-82	Spring Brake Return	77	532 12 35-83	Key, Square
3	532 16 59-99	Pulley Transaxle	78	532 12 17-48	Washer 25/32 x 1-5/8 x 16 Ga.
4	812 00 00-28	Ring Retainer #5100-62	79	532 12 50-96	Key Woodruff
5	532 12 15-20	Strap torque 30 degrees	80	532 14 50-90	Arm Shift PMST 20" Tires
6	817 06 05-12	Screw 5/16-18 x 3/4	82	532 16 57-11	Spring, Torsion
8	532 19 27-06	Rod Shift	83	819 17 12-16	Washer 17/32 x 3/4 x 16 Ga.
9	532 18 03-54	Clutch Noram	84	532 16 56-21	Link Shift CRD Pmst 18" Tires
10	876 02 04-16	Pin, Cotter 1/8 x 1	96	532 12 47-88	Spring, Retainer 1"
11	532 10 57-01	Washer Plate Shf .3888 sq hole	112	819 09 12-10	Washer 9/32 x 3/4 x 10 Ga.
13	874 55 04-12	Bolt 1/4-28 Unf Gr. 8 w/patch	120	873 90 06-00	Nut Lock Flg. 3/8-16 unc
14	810 04 04-00	Washer, Lock Hvy Helical	150	532 16 58-50	Bushing, Bellcrank Grnd Dr
15	874 49 05-44	Bolt Hex Flghd 5/16-18 Gr. 5	151	819 13 32-10	Washer 13/32 x 2 x 10 Ga.
16	873 80 05-00	Nut, Lock Hex w/Ins 5/16-18 unc	156	532 16 60-02	Washer Srrd 5/16 ID x 1.125
18	874 78 06-16	Bolt Hex 3/8-16 unc x 1 Gr. 5	158	532 16 55-89	Bracket Shift Mount
19	873 80 06-00	Nut, Lock Hex w/Wsh 3/8-16 unc	159	532 18 39-00	Hub Shift
21	532 10 69-33	Knob Duckhead	161	872 14 04-06	Bolt Rdhd Sqnk 1/4-20 x 3/4 Gr 5
22	532 17 56-07	Rod, Brake CRD	162	873 68 04-00	Nut Crownlock 1/4-20 unc
24	873 35 06-00	Nut	163	874 78 04-16	Bolt Hex Fin 1/4-20 unc x 1 Gr 5
25	532 10 68-88	Spring, Rod, Brake	165	532 16 56-23	Bracket Pivot Lever
26	819 13 13-16	Washer 13/32 x 13/16 x 16 Ga.	166	817 49 05-10	Screw 5/16-18 x 5/8
27	876 02 04-12	Pin, Cotter 1/8 x 3/4	167	532 16 55-88	Bracket Support Shift CRD
28	532 17 57-65	Rod, Parking Brake	168	532 16 54-92	Bolt Shoulder 5/16-18 x .561
29	532 07 16-73	Cap Brake Parking	171	817 49 06-08	Screw Thdrol 3/8-16 x 1/2 Ty-Tt
30	532 17 49-73	Bracket, Mfg. Transaxle	172	532 16 56-35	Shaft Asm Shift Front CRD PMST
34	532 17 55-78	Shaft, Asm Pedal Foot	177	532 16 59-32	Keeper Flat Idler 3.06" CRD
35	532 12 01-83	Bearing, Nylon	181	532 18 02-11	Bracket Idler Ground Drive CRD
36	819 21 16-16	Washer 21/32 x 1 x 16 Ga.	182	532 18 26-82	Keeper Belt 2.5" Od V-Idler CRD
37	532 12 49-63	Pin, Roll 3/16 x 1"	183	532 18 60-07	Pulley V-Idler
38	532 16 59-36	Pulley, Flat	187	817 58 05-20	Screw 5/16-18 x 1.25
39	874 76 06-44	Bolt Fin Hex 3/8-16 unc x 2-3/4	203	871 17 07-80	Bolt Hex 7/16-20 x 5
40	532 12 49-65	Spacer, Split 395 x 59 Bzp	207	532 16 98-45	Washer Nylon Rear
42	819 13 13-12	Washer 13/32 x 13/16 x 12 Ga.	214	532 17 56-09	Shaft Asm Blade
43	819 11 10-12	Washer 11/32 x 5/8 x 12 Ga.	215	532 19 95-80	Rod Brake Secondary
47	532 12 77-83	Pulley, Idler, V Groove Plasic	253	532 17 50-28	Bracket Cable Chassis
48	532 15 44-07	Bellcrank Clutch Grnd Drv	254	817 00 06-16	Screw 3/8-16 x 1
49	532 12 32-05	Retainer, Belt Style Spring	255	532 17 56-08	Brace Shaft Brake Mtg.
50	872 11 06-12	Bolt 3/8-16 unc x 1-1/2	258	532 17 80-62	Clip Retainer
51	873 68 06-00	Nut, Crownlock 3/8-16 unc	261	532 13 14-94	Pulley Idler
53	532 19 96-52	Link, Clutch 7.66	262	872 11 06-22	Bolt RDHD 3/8-16 unc x 2-3/4 Gr.5
55	532 10 57-09	Spring, Return, Clutch	263	817 00 06-12	Screw 3/8-16 x 3/4
56	817 06 06-20	Screw 3/8-16 x 1-1/4	264	532 19 76-08	Bracket Clutch Mtg.
57	532 16 56-31	V-Belt Kev PMST CRD	265	532 18 20-13	Spacer Idler Chassis
62	532 12 35-33	Cover, Pedal	266	532 18 20-61	Shield Idler Mower
65	810 04 07-00	Washer	292	532 40 02-71	Spacer
66	532 15 47-78	Keeper, Belt Engine F-Proof	293	872 14 06-02	Bolt RDHD SQNK 3/8-16 x 3-1/2
74	532 13 70-57	Spacer Axle	294	532 19 70-33	Nut Jam 3/8-16
75	532 12 17-49	Washer 25/32 x 1-1/4 x 16 Ga.	295	532 17 91-14	Pulley Idler

NOTE: All component dimensions given in U.S. inches
1 inch = 25.4 mm

REPAIR PARTS

www.ersatzteil-service.de

TRACTOR- -MODEL NO. RB125T92 (96061015200) PRODUCT NO. 960 61 01-52 STEERING ASSEMBLY

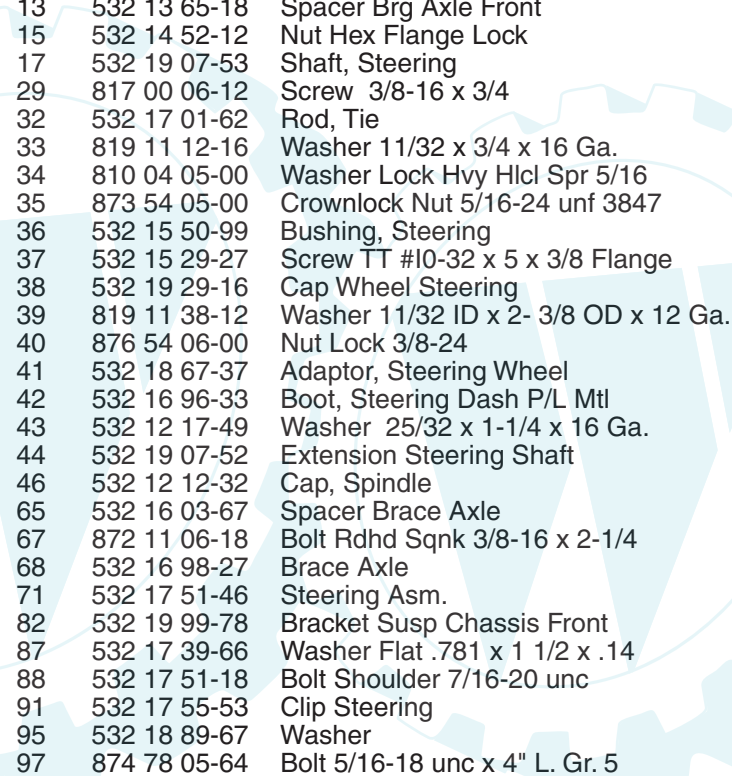


steering_pl.lt_60

REPAIR PARTS

www.ersatzteil-service.de

TRACTOR- -MODEL NO. RB125T92 (96061015200) PRODUCT NO. 960 61 01-52 STEERING ASSEMBLY



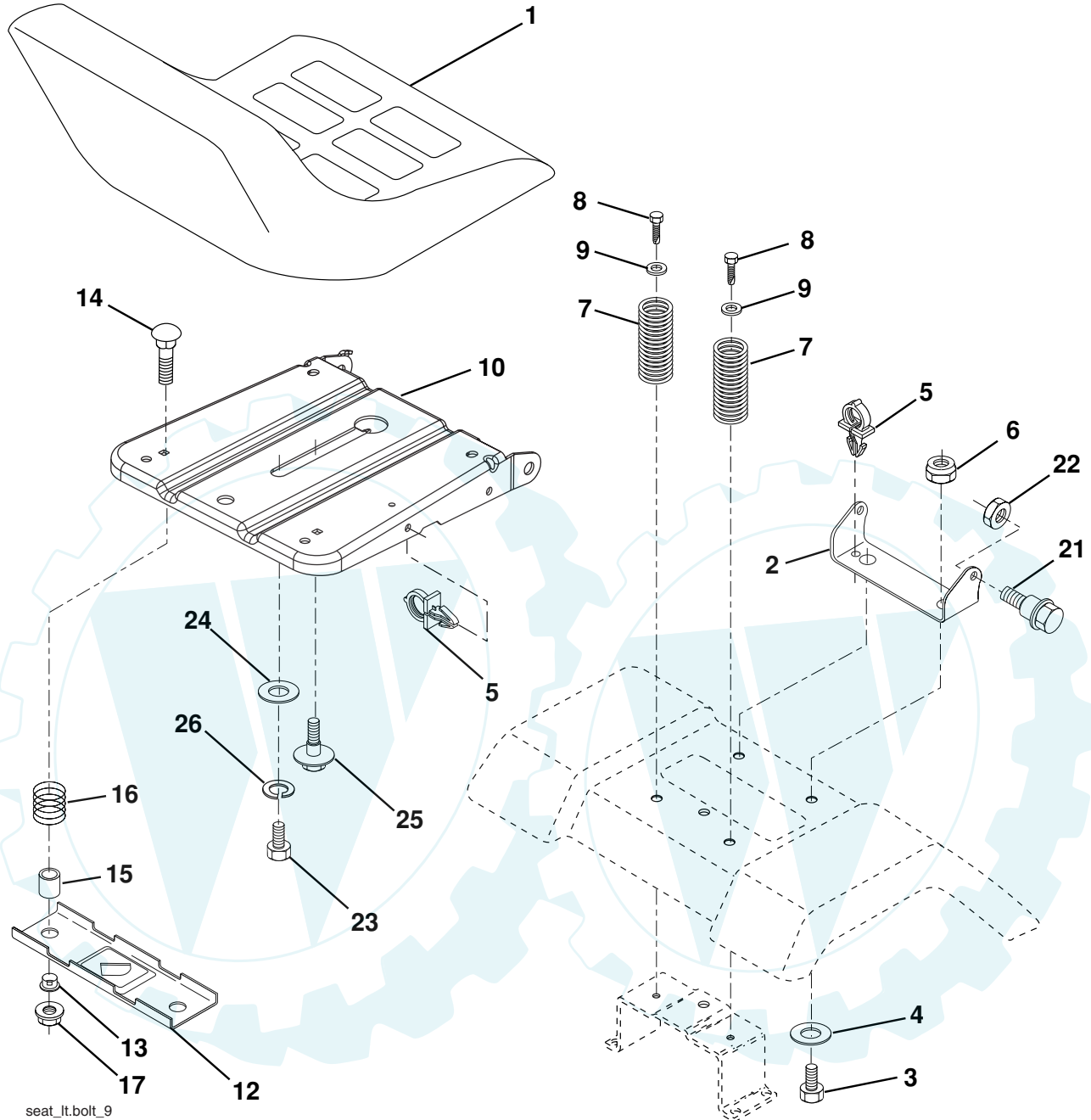
KEY NO.	PART NO.	DESCRIPTION
1	532 18 67-80	Steering Wheel
2	532 18 47-06	Axle Asm Cast Iron Lt
3	532 16 98-40	Spindle Assembly, L.H.
4	532 16 98-39	Spindle Assembly, R.H.
5	532 12 49-31	Bearing, Race, Thrust, Hardened
6	532 12 17-48	Washer 25/32 x 1-5/8 x 16 Ga.
8	812 00 00-29	Ring, Klip
10	532 17 51-21	Link, Drag
11	810 04 06-00	Washer, Lock
13	532 13 65-18	Spacer Brg Axle Front
15	532 14 52-12	Nut Hex Flange Lock
17	532 19 07-53	Shaft, Steering
29	817 00 06-12	Screw 3/8-16 x 3/4
32	532 17 01-62	Rod, Tie
33	819 11 12-16	Washer 11/32 x 3/4 x 16 Ga.
34	810 04 05-00	Washer Lock Hvy Hlcl Spr 5/16
35	873 54 05-00	Crownlock Nut 5/16-24 unf 3847
36	532 15 50-99	Bushing, Steering
37	532 15 29-27	Screw TT #10-32 x 5 x 3/8 Flange
38	532 19 29-16	Cap Wheel Steering
39	819 11 38-12	Washer 11/32 ID x 2- 3/8 OD x 12 Ga.
40	876 54 06-00	Nut Lock 3/8-24
41	532 18 67-37	Adaptor, Steering Wheel
42	532 16 96-33	Boot, Steering Dash P/L Mtl
43	532 12 17-49	Washer 25/32 x 1-1/4 x 16 Ga.
44	532 19 07-52	Extension Steering Shaft
46	532 12 12-32	Cap, Spindle
65	532 16 03-67	Spacer Brace Axle
67	872 11 06-18	Bolt Rdhd Sqnk 3/8-16 x 2-1/4
68	532 16 98-27	Brace Axle
71	532 17 51-46	Steering Asm.
82	532 19 99-78	Bracket Susp Chassis Front
87	532 17 39-66	Washer Flat .781 x 1 1/2 x .14
88	532 17 51-18	Bolt Shoulder 7/16-20 unc
91	532 17 55-53	Clip Steering
95	532 18 89-67	Washer
97	874 78 05-64	Bolt 5/16-18 unc x 4" L. Gr. 5

NOTE: All component dimensions given in U.S. inches.
1 inch = 25.4 mm.

REPAIR PARTS

www.ersatzteil-service.de

TRACTOR- -MODEL NO. RB125T92 (96061015200) PRODUCT NO. 960 61 01-52
SEAT ASSEMBLY



seat_lt.bolt_9

KEY NO.	PART NO.	DESCRIPTION
1	532 40 10-42	Seat
2	532 14 05-51	Bracket Pnt Pivot Seat (blk)
3	871 11 06-16	Bolt Fin Hex 3/8-16 x 1
4	819 13 16-10	Washer Flat 13/32 x 1 x 10 Ga.
5	532 14 50-06	Clip Push In Hinged
6	873 80 06-00	Nut Lock Hx w/Ins. 3/8-16
7	532 12 41-81	Spring Seat Cprsn 2 250 Blk Zi
8	817 00 06-16	Screw 3/8-16 x 1-1/2
9	819 13 16-14	Washer 13/32 x 1 x 14 Ga.
10	532 19 55-30	Pan Pnt Seat
12	532 17 46-48	Bracket Pnt Mounting Switch
13	532 12 12-48	Bushing Snap Blk Nyl 50 Id

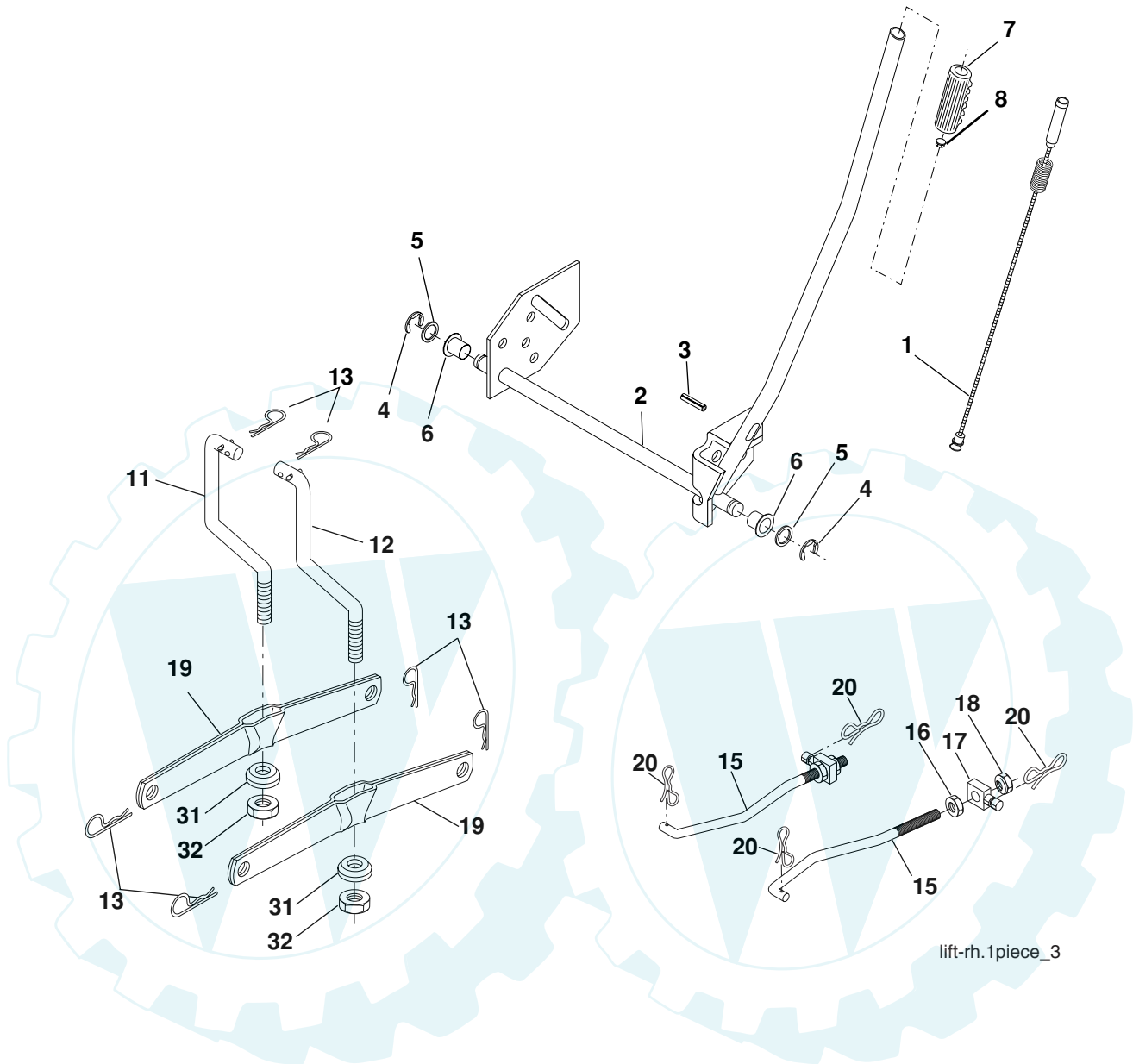
KEY NO.	PART NO.	DESCRIPTION
14	872 05 04-12	Bolt Rdhd Sht Nk 1/4-20 x 1-1/2
15	532 13 43-00	Spacer Split
16	532 12 12-50	Spring Cprsn Plate SW 1.310 Ga.
17	532 12 39-76	Nut Lock 1/4 Lge Flg Gr 5 Zinc
21	532 17 18-52	Bolt Shoulder 5/16-18 unc-2A
22	873 80 05-00	Nut Hex Lock w/Ins 5/16-18
23	871 11 08-14	Bolt Hex BLK
24	819 17 19-12	Washer 17/32 x 1-3/16 x 12 Ga.
25	532 12 70-18	Bolt Shoulder 5/16-18 x 62
26	810 04 08-00	Washer Lock Hvy. HLCL Spr. 1/2

NOTE: All component dimensions given in U.S. inches.
1 inch = 25.4 mm

REPAIR PARTS

www.ersatzteil-service.de

TRACTOR- -MODEL NO. RB125T92 (96061015200) PRODUCT NO. 960 61 01-52
MOWER LIFT



KEY NO.	PART NO.	DESCRIPTION
1	532 19 84-17	Washer Asm Inner Spring W/ Plunger
2	532 19 80-70	Shaft Asm. Lift
3	532 18 88-22	Pin Groove
4	812 00 00-02	E Ring #5133-62
5	819 21 16-21	Washer 21/32 x 1 x 21 Ga.
6	532 12 01-83	Bearing Nylon
7	532 12 56-31	Grip Handle
8	532 12 45-26	Button Plunger Black
11	532 16 58-29	Link Lift L.H.

KEY NO.	PART NO.	DESCRIPTION
12	532 16 58-31	Link Lift R.H.
13	532 12 46-70	Retainer Spring
15	532 17 32-88	Link Front
16	873 35 08-00	Nut Jam Hex 1/2-13 unc
17	532 17 56-89	Trunnion
18	873 80 08-00	Nut Lock W/Wsh 1/2-13 unc
19	532 13 98-68	Arm Suspension Mower
20	532 19 42-09	Pin Cotter 7/16 Bow Tie Lock
31	532 16 98-65	Bearing, Pvt. Lift.
32	873 54 06-00	Nut Crownlock 3/8-24

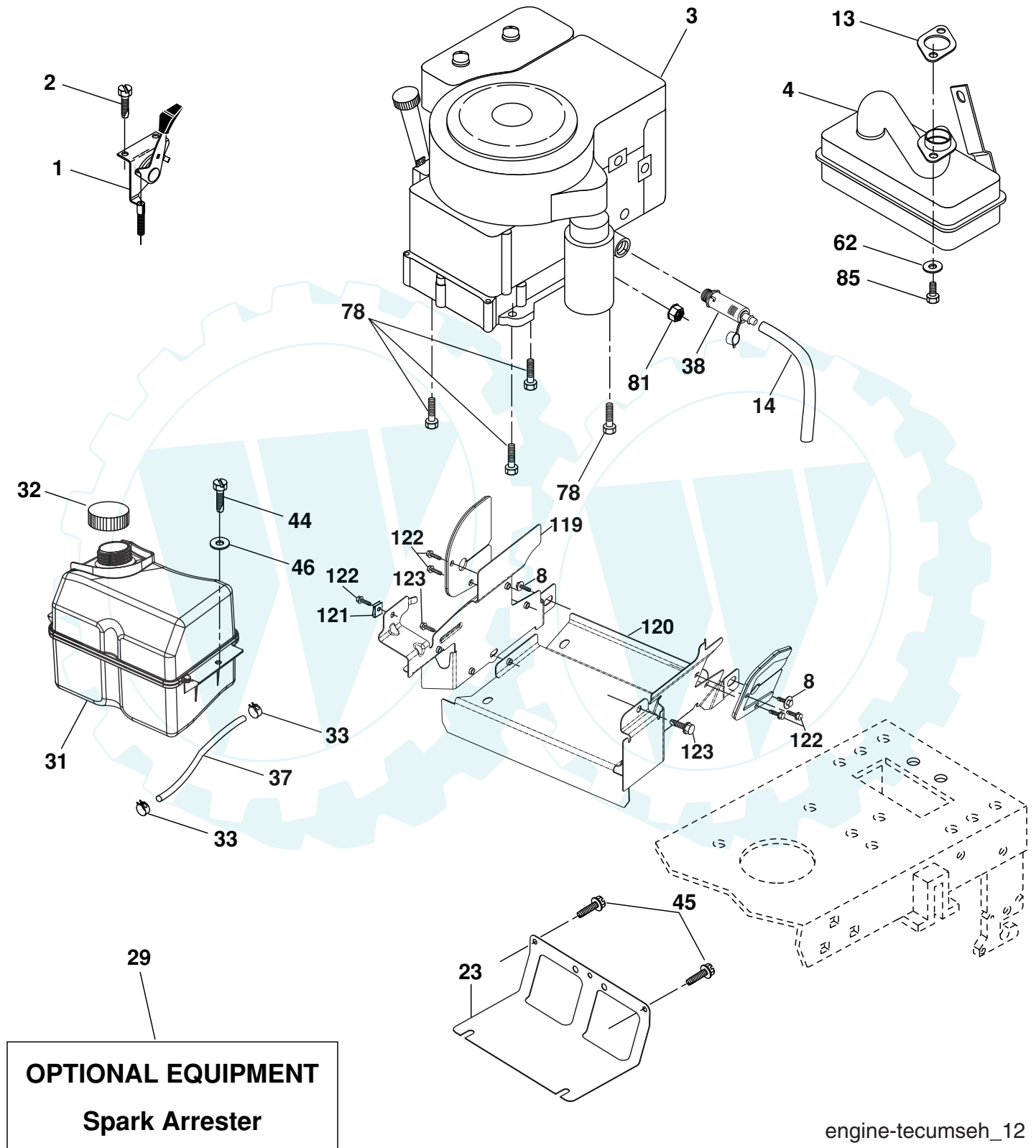
NOTE: All component dimensions given in U.S. inches.

Der Ersatzteilspezialist im Internet. 1 inch = 25.4 mm

REPAIR PARTS

www.ersatzteil-service.de

TRACTOR- -MODEL NO. RB125T92 (96061015200) PRODUCT NO. 960 61 01-52
ENGINE




engine-tecumseh_12

REPAIR PARTS

www.ersatzteil-service.de

TRACTOR- -MODEL NO. RB125T92 (96061015200) PRODUCT NO. 960 61 01-52
ENGINE



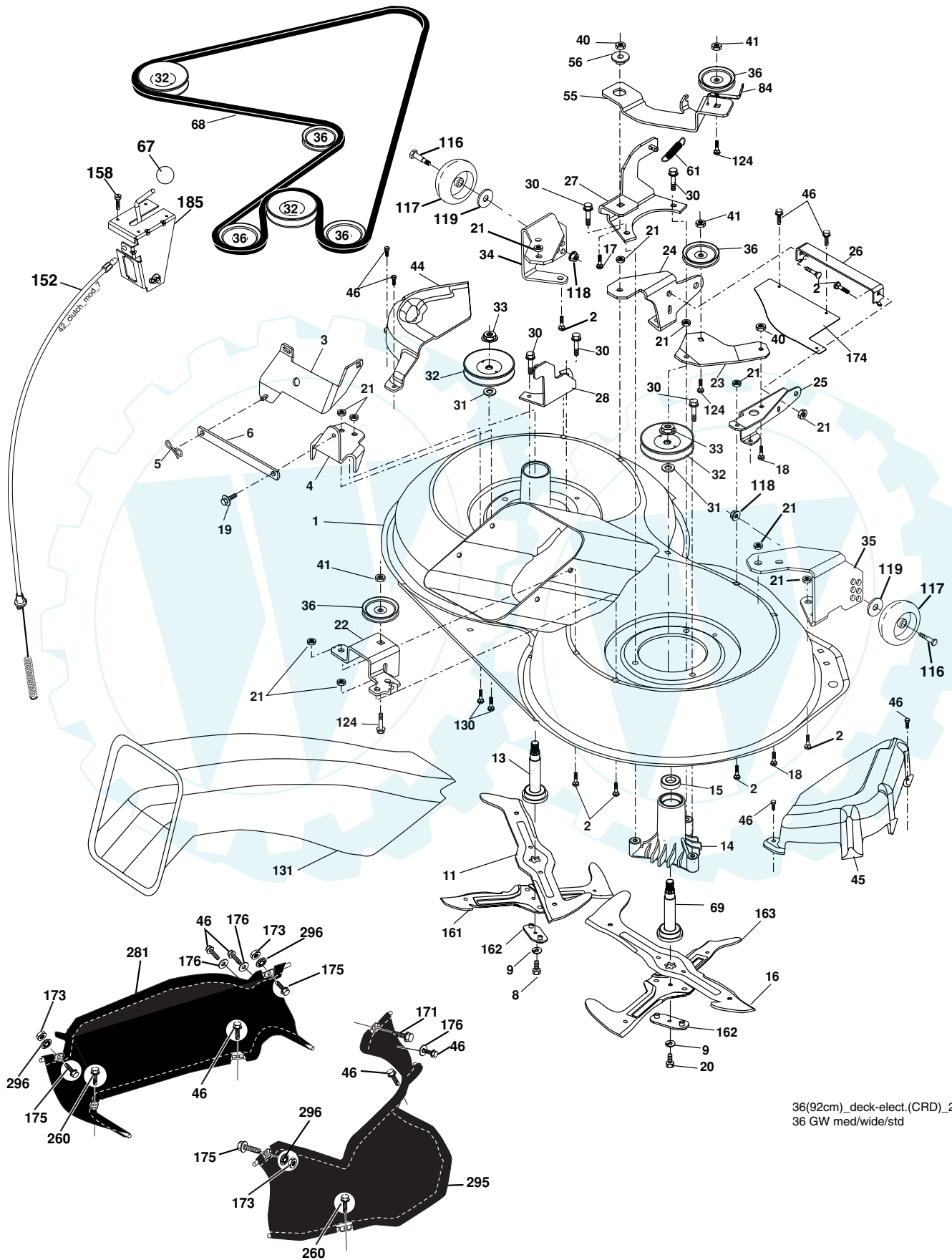
KEY NO.	PART NO.	DESCRIPTION
1	532 17 08-64	Control Throt /Ch Flag
2	817 72 04-08	Screw Hex Thd Cut 1/4-20 x 1/2
3	-----	Engine TEC OV358EA (Order Parts from Engine Manufacturer)
4	532 15 67-00	Muffler
8	532 17 18-77	Bolt 5/16-18 x 3/4
13	-----	Gasket (Order Parts from Engine Manufacturer)
14	532 14 84-56	Tube Drain Oil Easy
23	532 16 98-37	Shield Browning/Debris Guard
29	532 13 71-80	Arrestor Spark
31	532 18 55-34	Tank Fuel
32	532 19 77-25	Cap Asm Fuel Top
33	532 12 34-87	Clamp Hose Blk
37	532 13 70-40	Line Fuel 20"
38	532 18 16-54	Plug Drain Oil Easy
44	817 67 04-12	Screw Hexwsh Thdrol 1/4-20 x 3/4
45	817 00 06-12	Screw Hexwsh Thdr 3/8-16 x 3/4
46	819 09 14-16	Washer 9/32 x 7/8 x 16ga
62	810 04 05-00	Washer Lock Wvy HLCL Spr 5/16
78	817 06 06-20	Screw 3/8-16 x 1-1/4
81	873 51 04-00	Nut Keps 1/4-20 unc
85	532 12 35-28	Bolt Hex Hd Phillips
119	532 40 06-01	Guard Asm. Engine LH
120	532 40 06-00	Guard Asm. Engine RH
121	532 19 66-88	Clip Threaded
122	532 13 77-29	Screw Thd Roll 1/4-20 x 5/8
123	817 67 05-08	Screw Thdrol 5/16-18 x 1/2

NOTE: All component dimensions given in U.S. inches.
1 inch = 25.4 mm

REPAIR PARTS

www.ersatzteil-service.de

TRACTOR- -MODEL NO. RB125T92 (96061015200) PRODUCT NO. 960 61 01-52
MOWER



36(92cm)_deck-elect.(CRD)_2
36 GW med/wide/std

REPAIR PARTS

www.ersatzteil-service.de

TRACTOR- -MODEL NO. RB125T92 (96061015200) PRODUCT NO. 960 61 01-52 MOWER

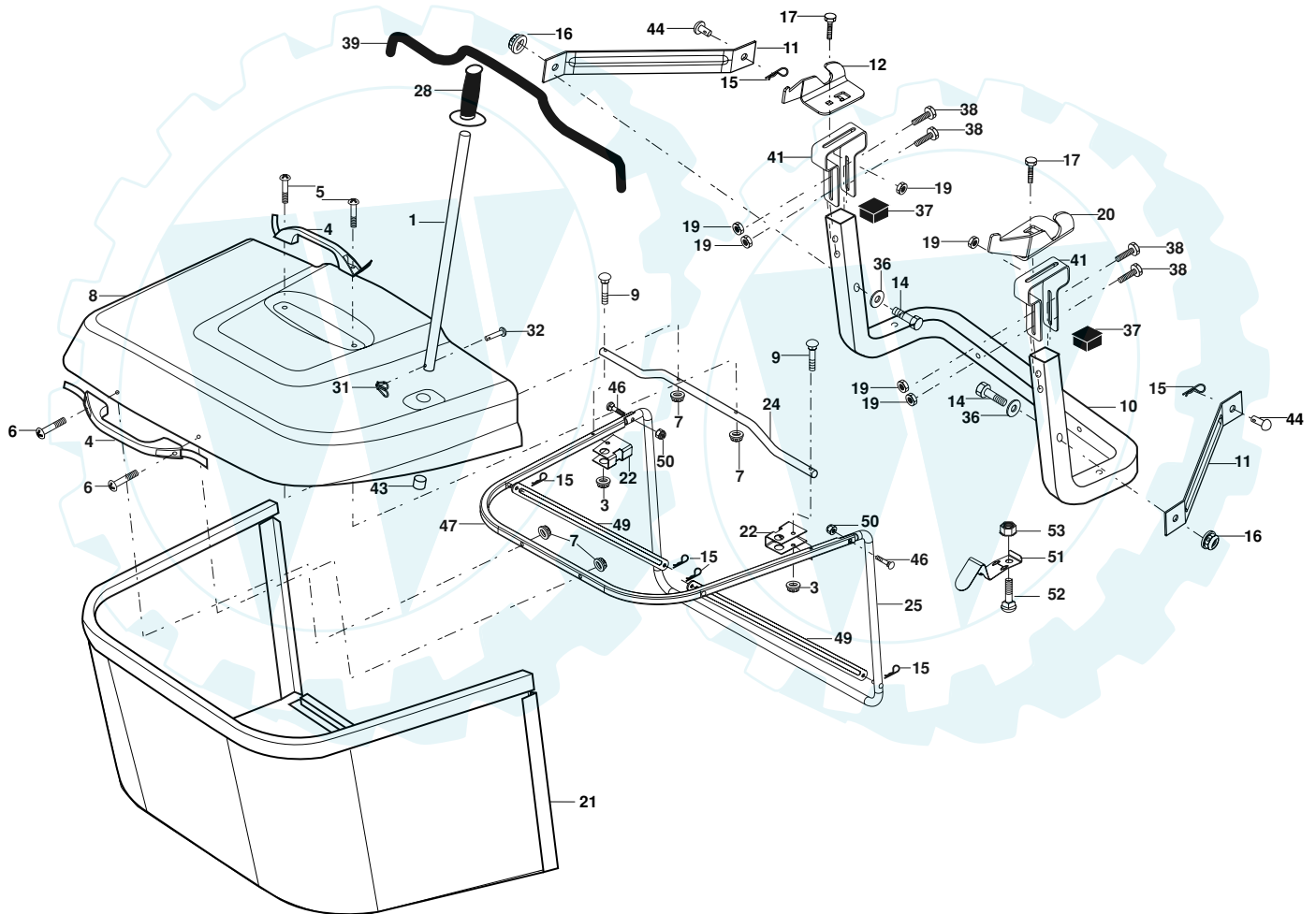
KEY NO.	PART NO.	DESCRIPTION	KEY NO.	PART NO.	DESCRIPTION
1	532 40 01-08	Housing Asm. Mower 92 CRD	41	873 90 06-00	Nut Lock Flg. 3/8-16 unc
2	872 14 05-06	Bolt Rdhd Sqnk 5/16-18 unc x 3/4	44	532 17 55-38	Cover Mandrel Lh 92 CRD
3	532 16 55-69	Bracket Asm. S-Bar Chass 92 CRD	45	532 17 55-39	Cover Mandrel Rh 92 CRD
4	532 16 55-58	Bracket Bar Sway Deck 92 CRD	46	532 13 77-29	Screw Thd Roll 1/4-20 x 5/8
5	532 12 46-70	Retainer Spring	55	532 19 94-98	Arm Idler 92 CRD
6	532 16 55-57	Bar Sway 92 CRD	56	532 16 57-23	Spacer Retainer Mower
8	532 18 17-12	Bolt 3/8-24 x 1.25 Gr. 8 Patched	61	532 16 59-45	Spring Tension Belt
9	810 03 06-00	Washer Lock Hvy 3/8 Unplated	67	532 10 69-32	Knob Rd 3/8-16 Plstc Thds Blk
11	532 18 63-85	Blade 3-1 Lh 92 CRD	68	532 18 02-17	Hex-Belt 92 Mower
13	532 13 76-45	Shaft Asm. W/Lower Bearing	69	532 16 54-82	Shaft Asm W/Lwr Brg Rh Thd CRD
14	532 12 87-74	Housing Mandrel Vented (Machd)	84	532 15 60-85	Keeper Belt Idler
15	532 11 04-85	Bearing Ball Mandrel	116	532 18 42-19	Bolt Shoulder
16	532 18 63-86	Blade 3-1 Rh 92 CRD	117	532 17 48-73	Wheel Gage
17	872 14 06-10	Bolt Carriage 3/8-16 x 1-1/4	118	873 93 06-00	Nut Centerlock 3/8-16 unc
18	872 11 06-06	Bolt Rdhd Sqnk 3/8-16 x 3/4	119	819 12 14-14	Washer 3/8 x 7/8 x 14 Ga.
19	532 13 28-27	Bolt Shoulder 5/16-18 Thd Form	124	872 11 06-12	Bolt Carr Sh 3/8-16 x 1-1/2 Gr. 5
20	532 18 17-13	Bolt 3/8-24 x 1.25 Gr. 8 Ptch Lhthd	130	872 11 05-06	Bolt Rdhdsqnk 5/16-18 unc x 3/4
21	873 68 05-00	Nut Crown Lock 5/16-18	131	532 16 56-61	Chute Bagger CRD 92cm
22	532 19 95-90	Bracket Idler Sprt 92 CRD	152	532 17 60-74	Cable Clutch CRD
23	532 16 54-46	Bracket Idler Sprt RF 92 CRD	158	817 72 04-08	Screw Hex Thd Cut 1/4-20 x 1/2
24	532 16 52-42	Bracket Suspension LF 92 CRD	161	532 18 63-87	Blade Cross LH 92
25	532 16 52-44	Bracket Suspension RF 92 CRD	162	532 18 08-78	Adapter Blade Cross
26	532 40 01-10	Brace Susp Frt CRD	163	532 18 63-88	Blade Cross RH 92
27	532 16 55-68	Bracket Asm. Susp RR 92 CRD	171	817 49 06-08	Screw Thdrol 3/8-16 x 1/2
28	532 16 55-67	Bracket Asm. Susp LR 92 CRD	173	873 80 06-00	Nut Lock Hex W/INs. 3/8-16 UNC
30	532 17 39-84	Screw Thd Rolling	174	532 40 02-41	Guard Front Susp
31	532 18 76-90	Washer Spacer Mower Vented	175	872 11 06-08	Bolt RDHD SQNK 3/8-16 x 1 Gr.5
32	532 15 35-31	Mandrel Pulleys	176	819 09 14-16	Washer 9/32 x 7/8 x 16 Ga.
33	532 40 02-34	Nut Flg Top Lock	185	532 18 82-34	Head Asm. Cable Clutch
34	532 40 01-07	Bracket Gauge Wheel Lf 92 CRD	260	817 67 06-08	Screw Thdrol 3/8-16 x 1/2
35	532 40 01-06	Bracket Gauge Wheel Rf 92 CRD	281	532 40 02-74	Guard Asm Fabric LH
36	532 14 67-63	Pulley Idler V-Groove Dim 4.25	295	532 40 02-75	Guard Asm Fabric RH
40	873 68 06-00	Nut Crownlock 3/8-16 unc	296	532 40 12-20	Push Nut Round
			--	532 18 18-57	Mandrel Asm Service
			--	532 18 18-58	Mandrel Asm CRD Lh Threads SVC
			--	532 40 03-09	Replacement Mower, Complete (Std. Deck - Order separately guage wheel components key nos. 116 - 119)

NOTE: All component dimensions given in U.S. inches
1 inch = 25.4 mm

REPAIR PARTS

www.ersatzteil-service.de

TRACTOR- -MODEL NO. RB125T92 (96061015200) PRODUCT NO. 960 61 01-52
BAGGER



Bagger Asy (CRD)_11

REPAIR PARTS

www.ersatzteil-service.de

TRACTOR- -MODEL NO. RB125T92 (96061015200) PRODUCT NO. 960 61 01-52
BAGGER

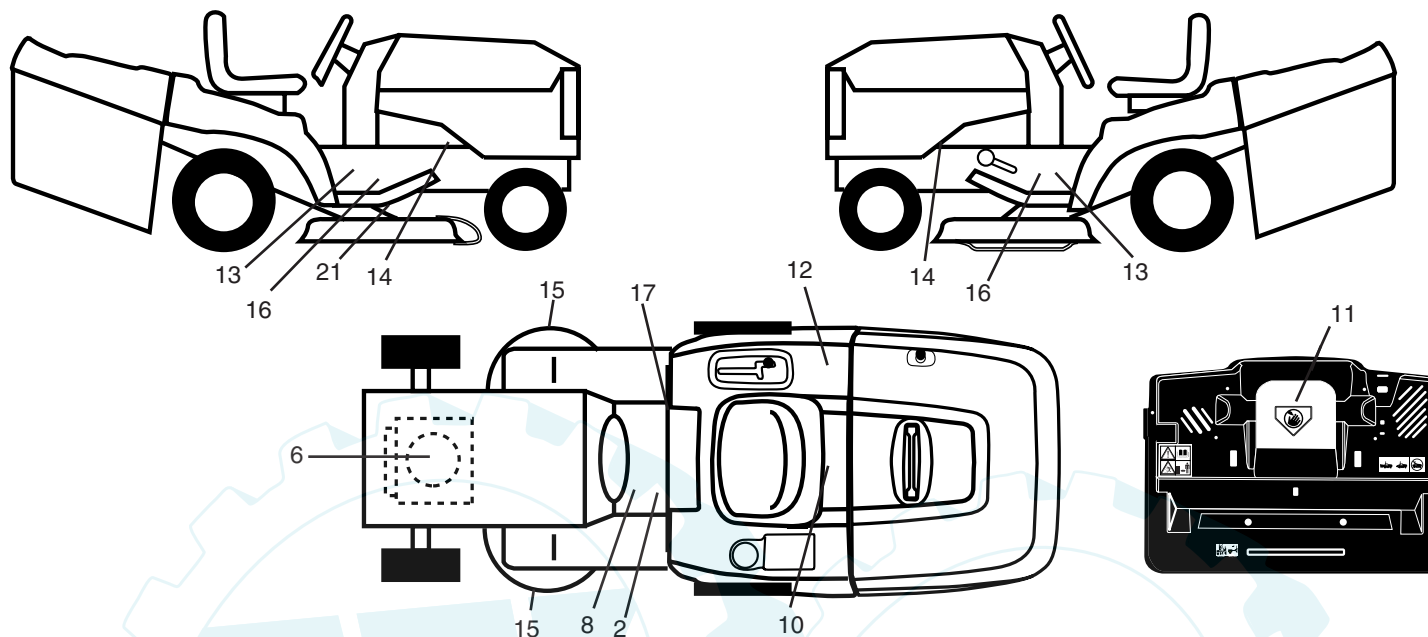
KEY NO.	PART NO.	DESCRIPTION
1	532 16 52-49	Tube Handle Bagger CRD
3	532 12 39-76	Nut Lock 1/4 Lge Flg Gr. 5 Zinc
4	532 16 99-16	Handle Bagger w/Lvrs Blk CRD
5	874 98 10-24	Screw Pan Head #10-24 x 1.50 Blk
6	874 98 10-32	Screw Pan Hd
7	873 40 10-00	Nut Wiz Lock Hex Serr/Hd 10-24
8	532 18 13-54	Cover Bagger
9	872 14 04-18	Bolt Carriage 1/4-20 x 2.25d x Gr. 5
10	532 18 12-82	Tube Support Bagger CRD
11	532 16 57-19	Bracket Support Upper Bag CRD
12	532 18 88-48	Bracket Pivotn Lh
14	874 52 06-36	Bolt Carr.
16	873 90 06-00	Nut Lock Flg. 3/8-16 UNC
15	532 12 46-70	Retainer Spring
17	872 14 05-06	Bolt Rdhd Sht Sqnk 5/16 -18 unc x 3/4
19	873 90 05-00	Nut Lock Hexflange 5/16-18
20	532 18 88-47	Bracket Pivot Rh
21	532 19 38-38	Bag Asm CRD
22	532 16 57-81	Bracket Side Bagger CRD
24	532 16 57-83	Tube Pivot Bagger CRD
25	532 19 37-05	Tube Front Bagger CRD
28	532 16 57-87	Grip Handle Black
31	532 16 94-84	Retainer Clip
32	532 12 68-75	Rivet Rd Hd Drilled 3/8 Dia
36	819 13 20-12	Washer 13/32 x 1-1/4 x 12 Ga.
37	532 17 54-01	Plug Support Bagger CRD
38	872 01 05-20	Bolt 5/16-18 x 2-1/2
39	532 18 09-85	Seal 37"
41	532 16 96-83	Bracket Vert Adj Bagger CRD
43	532 17 40-83	Plug Tubing
44	532 19 33-12	Pin Clevis
46	872 11 05-10	Bolt Carr. 5/16-18 x 1-1/4 Gr.5
47	532 19 37-04	Tube Upper Bagger
49	532 19 33-05	Bar Spreader
50	873 80 05-00	Nut Lock Thx w/Ins. 5/16-18 UNC
51	532 19 99-03	Latch Spring Bagger
52	872 14 04-06	Bolt Carr.
53	873 51 04-00	Nut Keps Hex 1/4-20 UNC

NOTE: All component dimensions given in U.S. inches
1 inch = 25.4 mm

REPAIR PARTS

www.ersatzteil-service.de

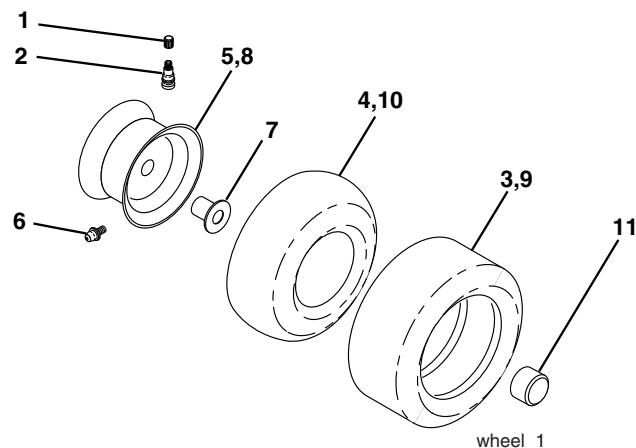
TRACTOR- -MODEL NO. RB125T92 (96061015200) PRODUCT NO. 960 61 01-52
DECALS



KEY NO.	PART NO.	DESCRIPTION
2	532 40 03-89	Decal Warning Symbols CE
6	532 19 68-41	Decal Warning Engine Symbols
8	532 15 97-37	Decal Brake/Clutch Symbol
10	532 14 50-05	Decal Bat Dan/Poi P/L Sym Wpn
11	532 18 21-66	Decal Mower Cut Finger Symbol
12	532 18 04-32	Decal Fender 100 DB/CE
13	532 40 11-46	Decal Warning Service/Fire
14	532 15 97-36	Decal Chassis Hot Muffler
15	532 19 68-42	Decal Warning Cut Finger
16	532 18 96-96	Decal, Chassis
17	532 14 08-37	Decal Saddle Brake Parking

KEY NO.	PART NO.	DESCRIPTION
21	532 16 62-86	Decal Deck Sch 92 CRD
—	532 13 83-11	Decal Lift Handle
—	532 18 10-91	Pad Footrest LH
—	532 18 10-90	Pad Footrest RH
—	532 18 04-35	Decal Rear Plate
—	532 40 08-65	Manual Operator's (Euro)
—	532 40 28-16	Manual Parts

WHEELS & TIRES



KEY NO.	PART NO.	DESCRIPTION
1	532 05 91-92	Cap Value Tire
2	532 06 51-39	Stem Value
3	532 12 41-57	Tire F Ts 15 x 6.0 - 6 Service
4	532 05 99-04	Tube Inner Front #35060
5	532 18 33-37	Rim Asm Front Service
6	532 12 49-57	Fitting Grease
7	532 12 49-59	Bearing Flange
8	532 13 83-38	Rim Asm 8" rear Service
9	532 12 39-69	Tire R Ts 18 x 8.5-8 Service
10	532 12 49-26	Tube Rear 9 5 x 8 Service
11	532 17 50-39	Cap Axle Blk 1 50 x 1 00
--	532 14 43-34	Sealant, Tire (10 oz. tube)

NOTE: All component dimensions given in U.S. inches.
1 inch = 25.4 mm