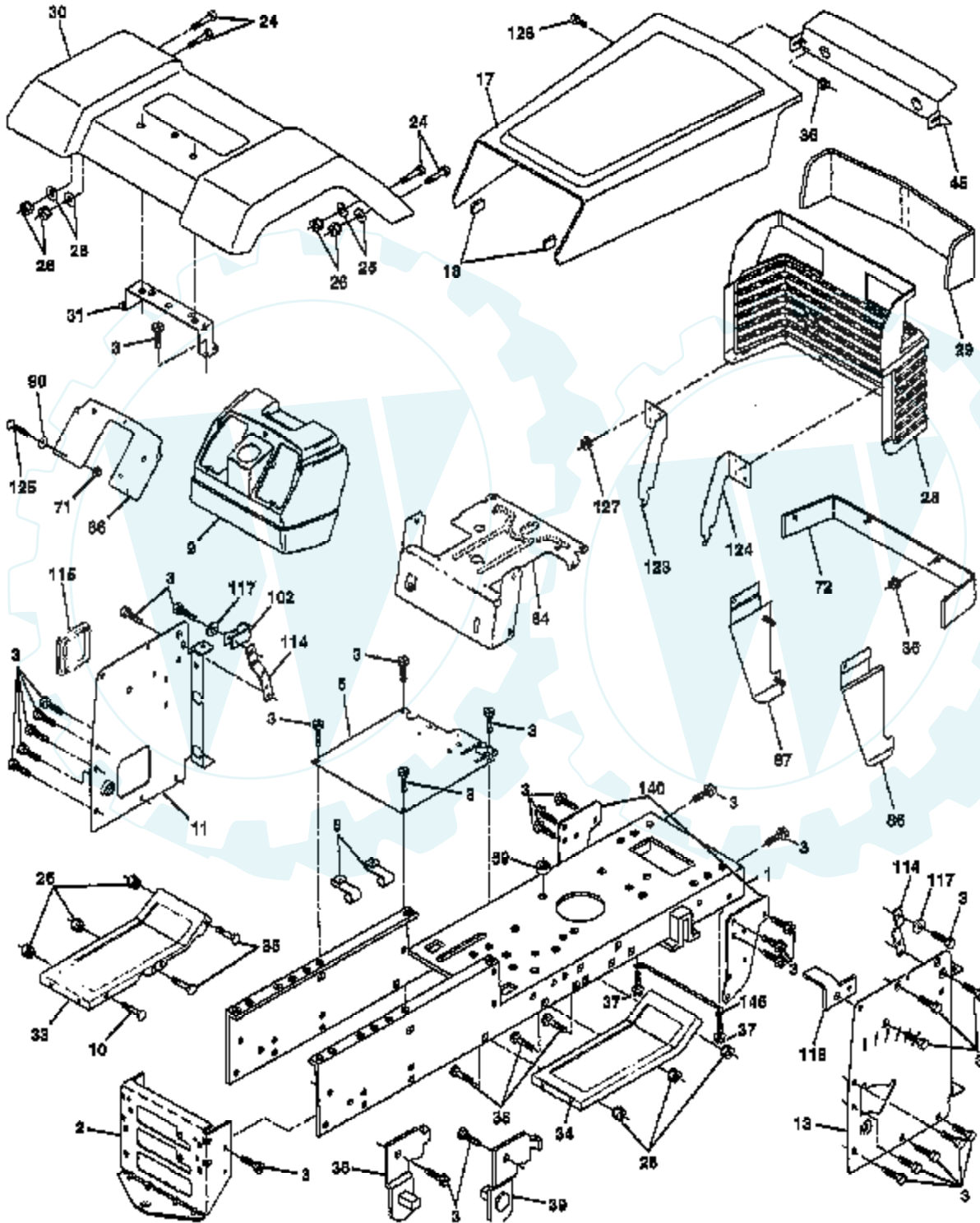


# TRACTOR - - MODEL NUMBER R14542D

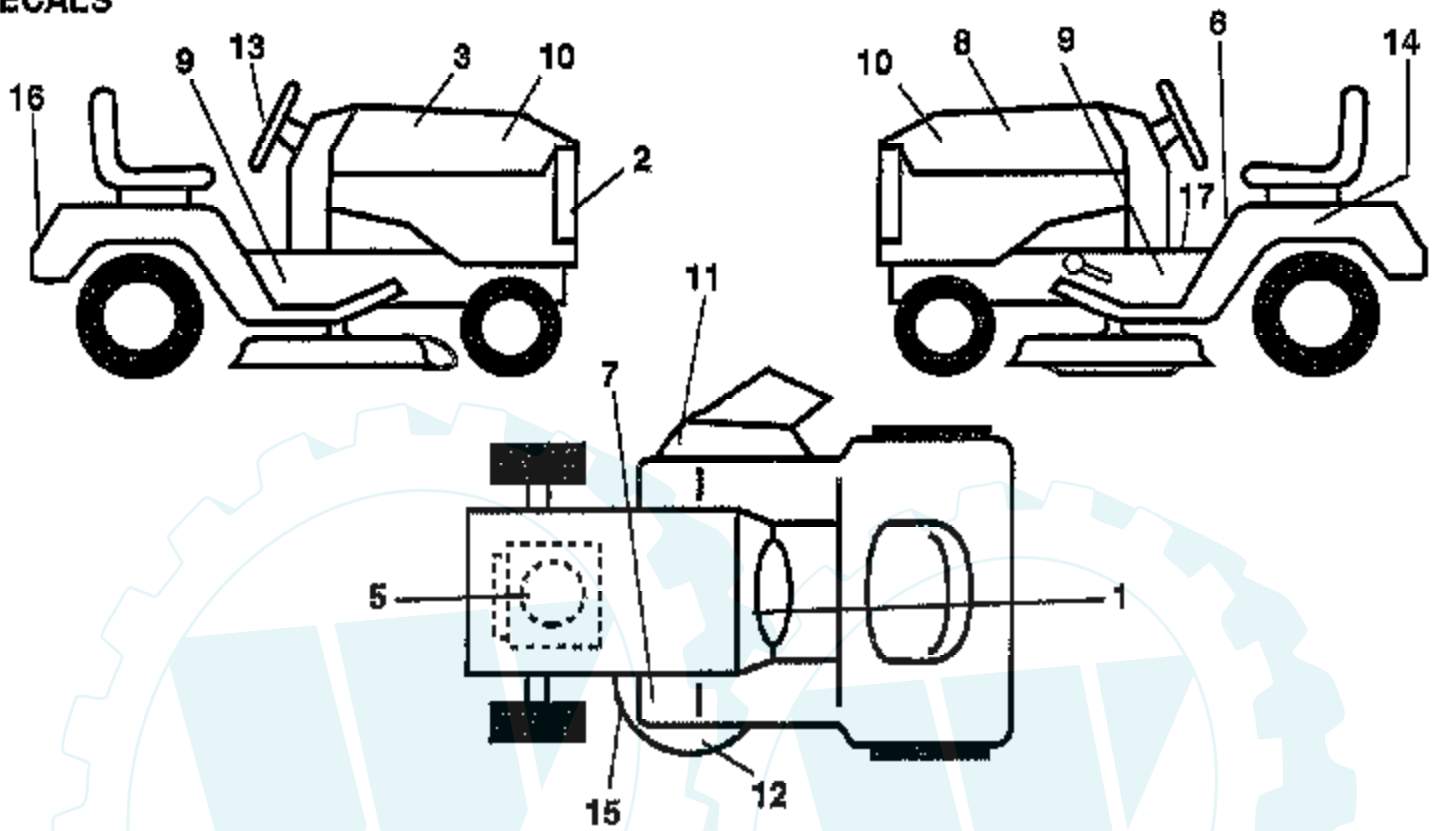
## CHASSIS AND ENCLOSURES



Ref #	Part Number	Qty	Description
1	160393		CHASSIS
2	140356		SUB= 145009
3	17490612		SCREW
6	155924X015		SADDLE-SILKSCREEN
8	126471X		"CLIP,INSULATOR"
9	145203		DASH.PLASTIC.BLK
10	72140608		SUB= 72110608
11	145218		PANEL.DASH.LH.
13	145223		PANEL.DASH.RH.NOT
17	123801X505		HOOD.ASM.YTGT.PNT
18	126938X		SUB= 532126938
24	74780616		BOLT
25	19131312		WASHER
26	73800600		NUT
28	140671		GRILLE ASM WELD
29	110898X		LENS T
30	157584X505		FENDER BRACKET
31	136619		BRKT FENDER
33	105476X505		FOOTREST LH
34	105475X505		FOOTREST RH
35	72110606		BOLT
36	108067X		PAL NUT LT
37			CHECK WITH SUPPLIER
38	139886		BRACKET ASM LH
39	139887		BRACKET ASM RH
45	132257		SUB= 918132257
59			CHECK WITH SUPPLIER
64	150272		DASH.LOWER.LT
66	156277X011		PLATE SLKSCR.OM
71	73640400		NUT HXKEP 1/4X20
72	110350X505		STRAP GRILLE 505
86	123764X505		PANEL.SIDE.RH.ASM
87	123765X505		PANEL.SIDE.LH.ASN
90	19091216		WASHER PM
102	2751R		CLIP T
114	145349		BRACKET.SUPT.DASH
115	121794X		COVER ACCESS
117	144283		WASHER.SERRATED.
118	145595		BRACKET.CLUTCH.MC
123	149037		BRACKET.PICK.LH.
124	149036		BRACKET.PICK.RH.
125	74180412		SCREW
127	120579X		PAL NUT
128	124201X		SCREW SPECIAL
140	158418		BRKT SUSPENSION
145	156524		"ROD POVOT,CHASSIS"
	5479J		PLUG BUTTON T

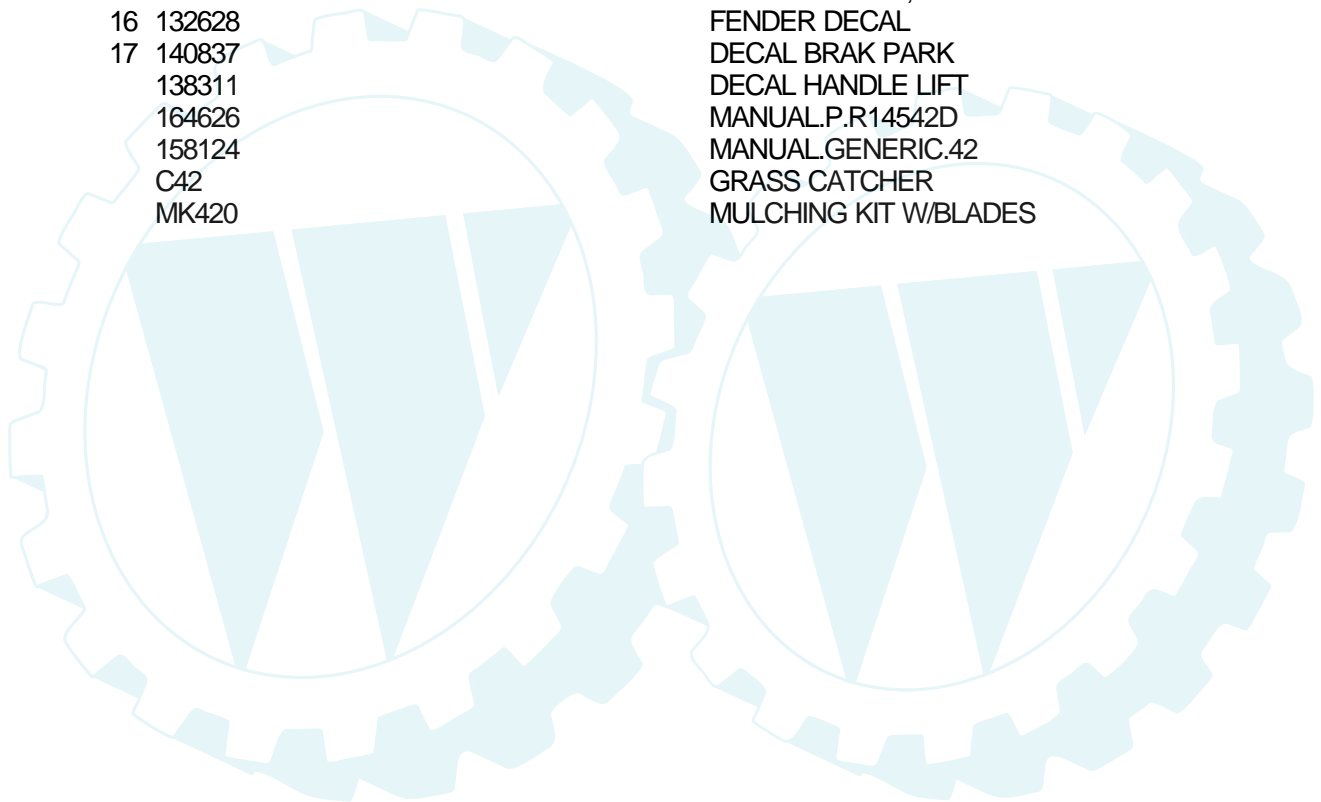
### TRACTOR - - MODEL NUMBER R14542D

#### DECALS



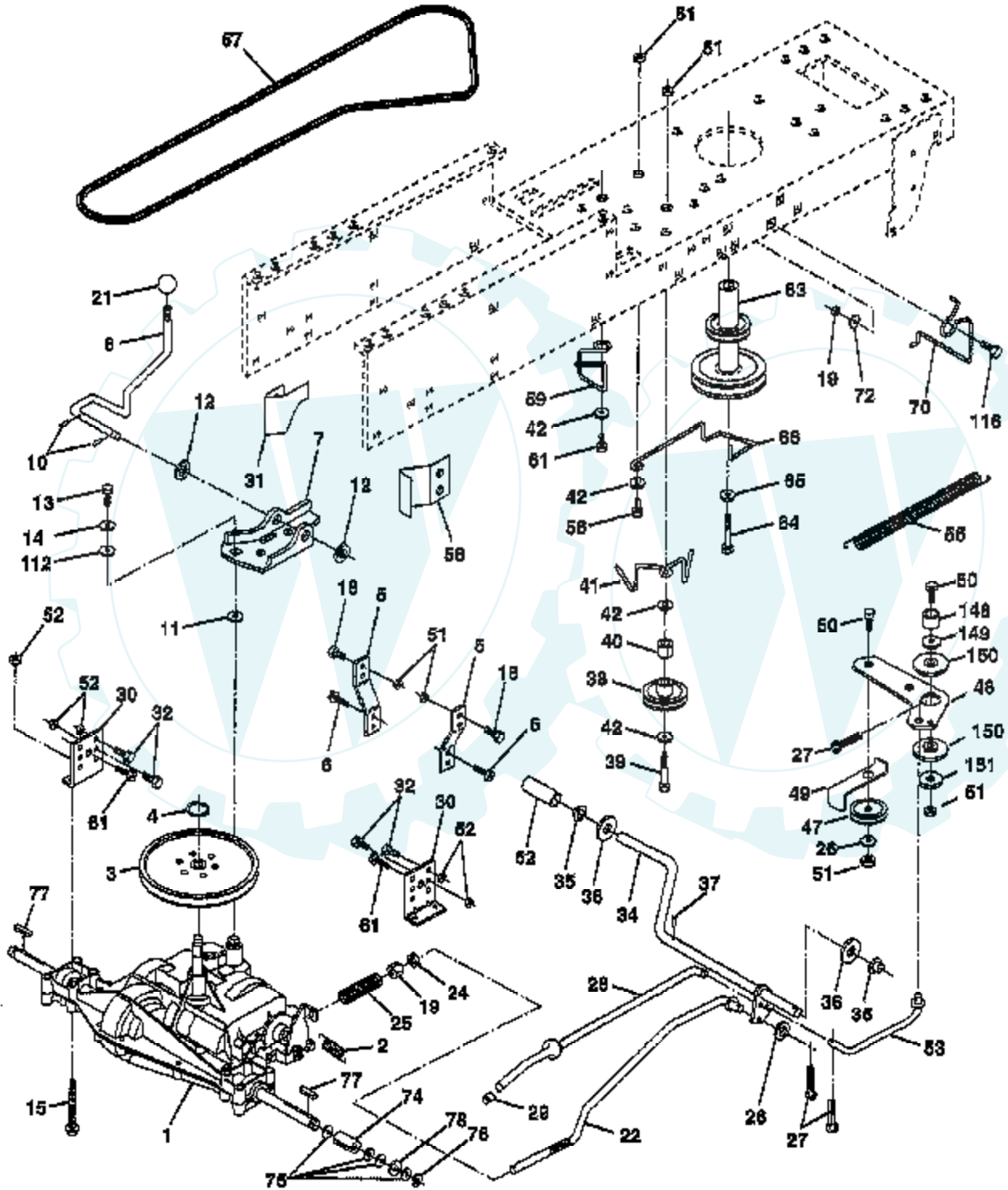
**NOTE:** All component dimensions given in U.S. Inches  
1 inch = 25.4 mm.

Ref #	Part Number	Qty	Description
1	157106		DECAL.INSTR.FRENC
2	132627		GRILL DECAL
3	146747		DECAL.HD.RH.RALLY
5	272991		DECAL, ENGINE
6	157140		DECAL.CAUT.ENG/FR
7	101892X		DECAL T
8	146748		DECAL.HD.LH.RALLY
9	131425		CHASSIS DECAL
10	146644		DECAL.INS.HD.RALL
11	137259		"DECAL, WARNING"
12	135013		NLA
13	127075		"DECAL,STR WHL"
14	145005		DECAL.BATRY.3-3908
15	160396		"DECAL-SCHEM,BELT"
16	132628		FENDER DECAL
17	140837		DECAL BRAK PARK
	138311		DECAL HANDLE LIFT
	164626		MANUAL.P.R14542D
	158124		MANUAL.GENERIC.42
	C42		GRASS CATCHER
	MK420		MULCHING KIT W/BLADES



### TRACTOR -- MODEL NUMBER R14542D

#### DRIVE



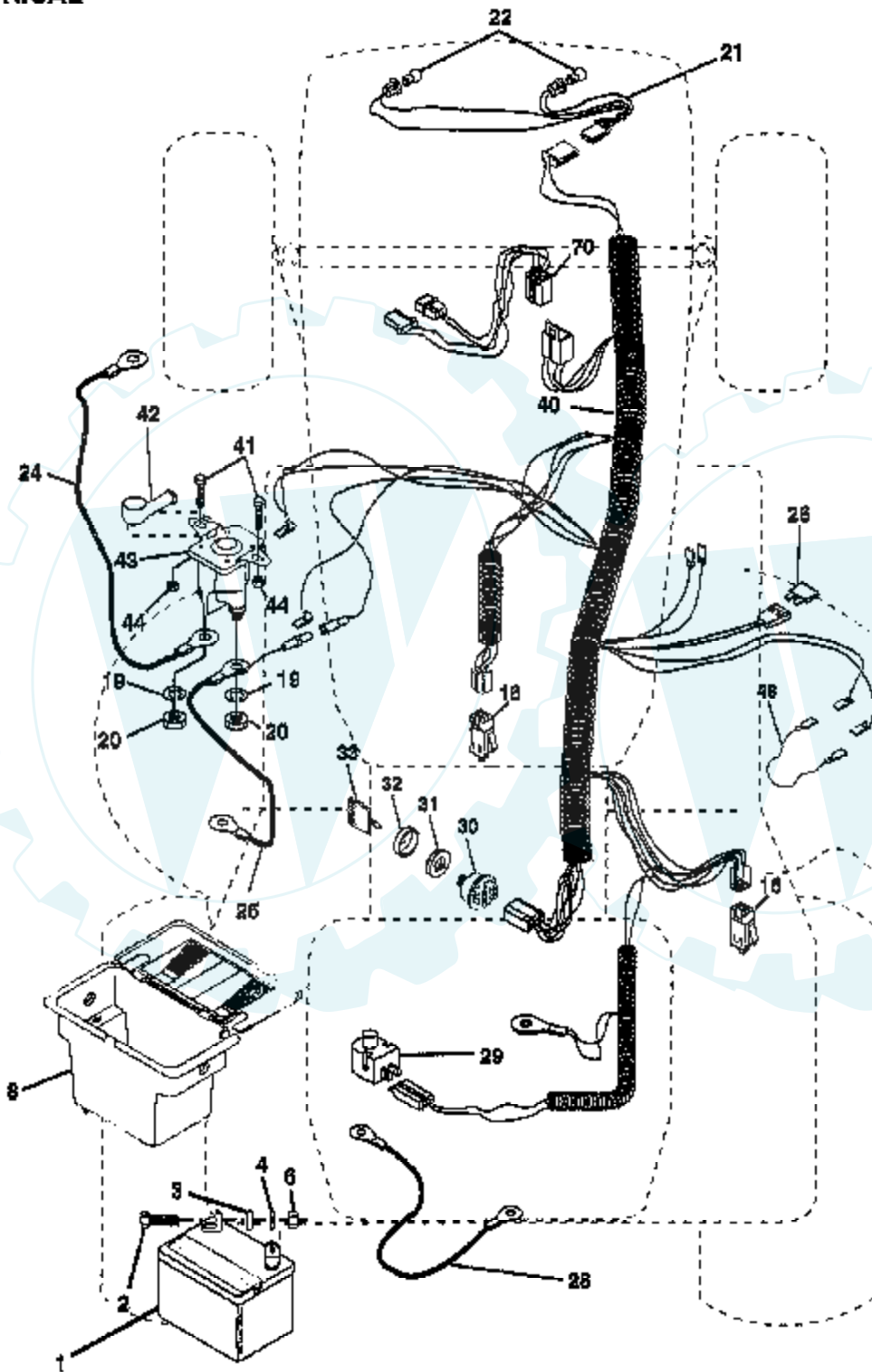
Ref #	Part Number	Qty	Description
2	146682		SPRING.BRAKE.RETU
3	123666X		PULLEY TRANS
4	12000028		SUB= 2267J
5	121520X		STRAP TORQUE
6	17490512		SCREW
7	162240		BRKT.SADDLE.SHIFT
8	131679		SHIFT ROD
10	76020416		PIN COTTER 1/8
11	105701X		WASH-SHFT PLT LT
12	19151216		WASHER
13	74550412		BOLT.1/4-28.W/PAT
14	10040400		LOCKWASHER
15	74490544		BOLT.HX.FLG.5/16
18	74780616		BOLT
19	73800600		NUT
21	106933X		KNOB T (1/2-HOLE)
22	130804		BRAKE ROD
24	73350600		NUT
25	106888X		SPRING ROD LT
26	19131316		WASHER
27	76020412		COTTER PIN
28	145204		ROD.BRAKE.PARK.LT
29	71673		PLUNGER CAP T
30	130807		TRANSAXLE MTG BKT
31	127275X		"KEEPER,BELT LH T"
32	74760512		BOLT
34	155071		SHAFT ASM-PEDAL F
35	120183X		NYLON BEARING
36	19211616		WASHER LT
37	1572H		SUB= 2882J
38	123674X		PULLEY.IDLER.FLAT
39	74760644		BOLT
40	4470J		SPACER T
41	154777		SUB= 165692
42	19131312		WASHER
47	127783		SUB= 139245
48	154407		BELLCRANK.CLUTCH
49	123205X		RETAIN BELT
50	74760624		SUB= 74930624
51	73680600		SUB= 73690600
52	73680500		SUB= 73690500
53	105710X		"LINK, CLUTCH T"
55	105709X		"SPRING, RETURN LT"
56	74760620		SUB= 74780620
57	160855		"V-BELT,95.3"
58	127274X		"KEEPER,BELT RH T"
59	140312		KEEPER BELT CNTSP
61	17490612		SCREW
62	8883R		PEDAL COVER T
63	140186		PULLEY.ENGINE
64	71170764		BOLT
65	10040700		LOCKWASHER
66	154778		KEEPER-BELT
70			CHECK WITH SUPPLIER
72	19132012		WASHER
74	109502X		SPACER LT
75			CHECK WITH SUPPLIER
76	12000001		E-RING LT

Ref #	Part Number	Qty	Description
77	123583X		SQUARE KEY
78	121748X		WASHER
112	19091210		WASHER LT
116	72110610		BOLT RDHD 3/8-16
148	159103		SPACER
149	122052X		SPACER RETAINER
150	150935		BUSHING.NYLON
151	19133210		WASHER



### TRACTOR - - MODEL NUMBER R14542D

#### ELECTRICAL

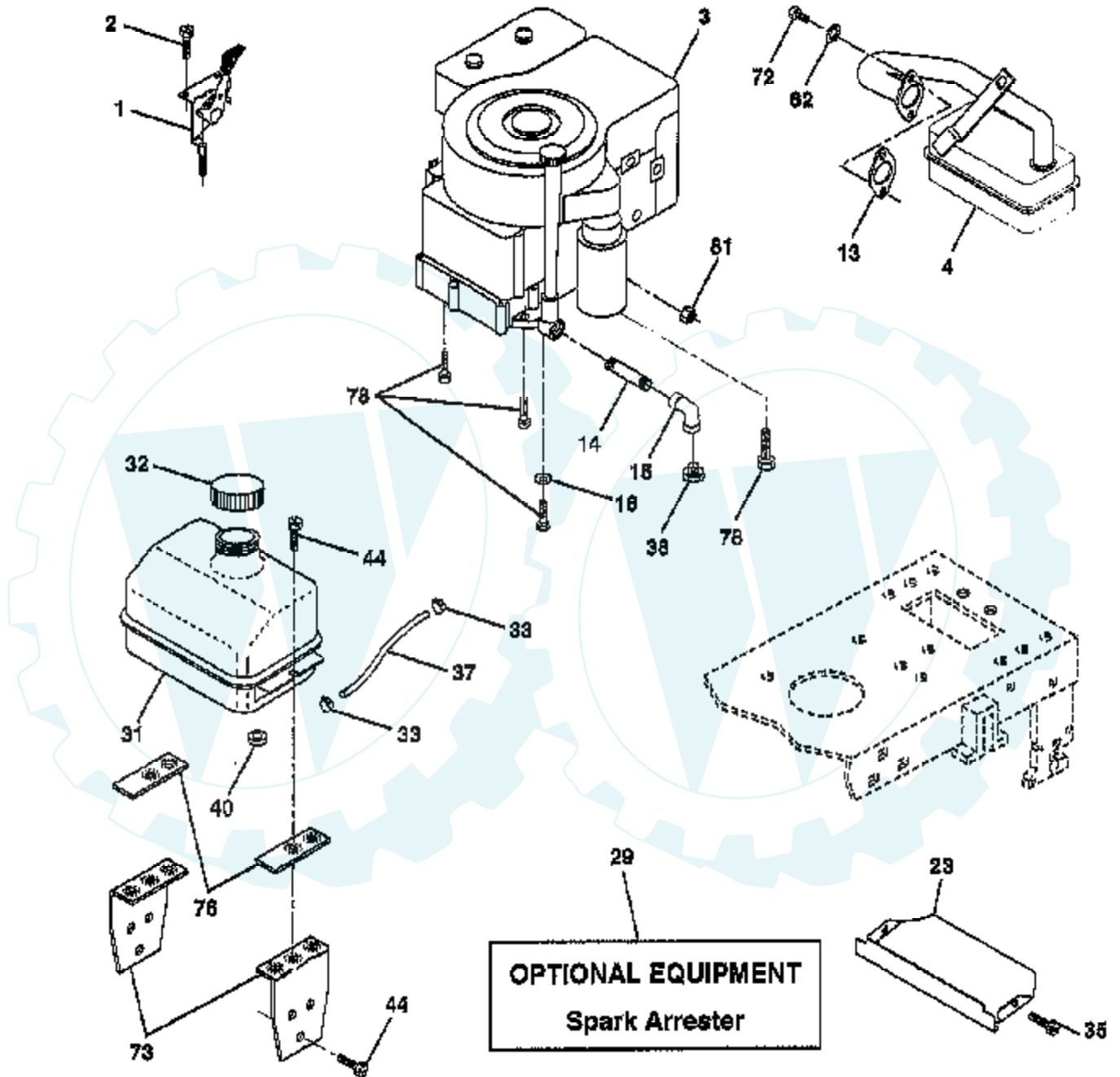




Ref #	Part Number	Qty	Description
1	144925		SUB= 123899X
2			CHECK WITH SUPPLIER
3	19091016		WASHER
4	10040400		LOCKWASHER
6	73220400		SUB= 50675
8	156417		"CASE,BATTERY.MECH"
16	153664		SWITCH INTERLOCK
19	10090400		SUB= 10040400
20	73350400		NUT
21	136850		"HARNES,LIGHT SOC"
22	4152J		HEADLAMP BULB
24	146136		CABLE.BTRY.6GA.RD
25	148009		CABLE.BTRY.6GA.38
26	108824X		FUSE HYT
28	4207J		CABLE T
29	121305X		SWITCH SEAT
30	140301		SWITCH IGN 4POS
31	124211X		NUT IGNITION
32	141226		COVER KEY SWITCH
33	122147X		KEY
40	156149		HARNES IGNITION
41	71110408		BOLT HXHD FIN
42	131563		SUB= 154336
43	145673		SUB= 146154
44	73640400		NUT HXKEP 1/4X20
48	140844		ADAPTER AMMETER
70	140422		HARNES.ENG.DUAL

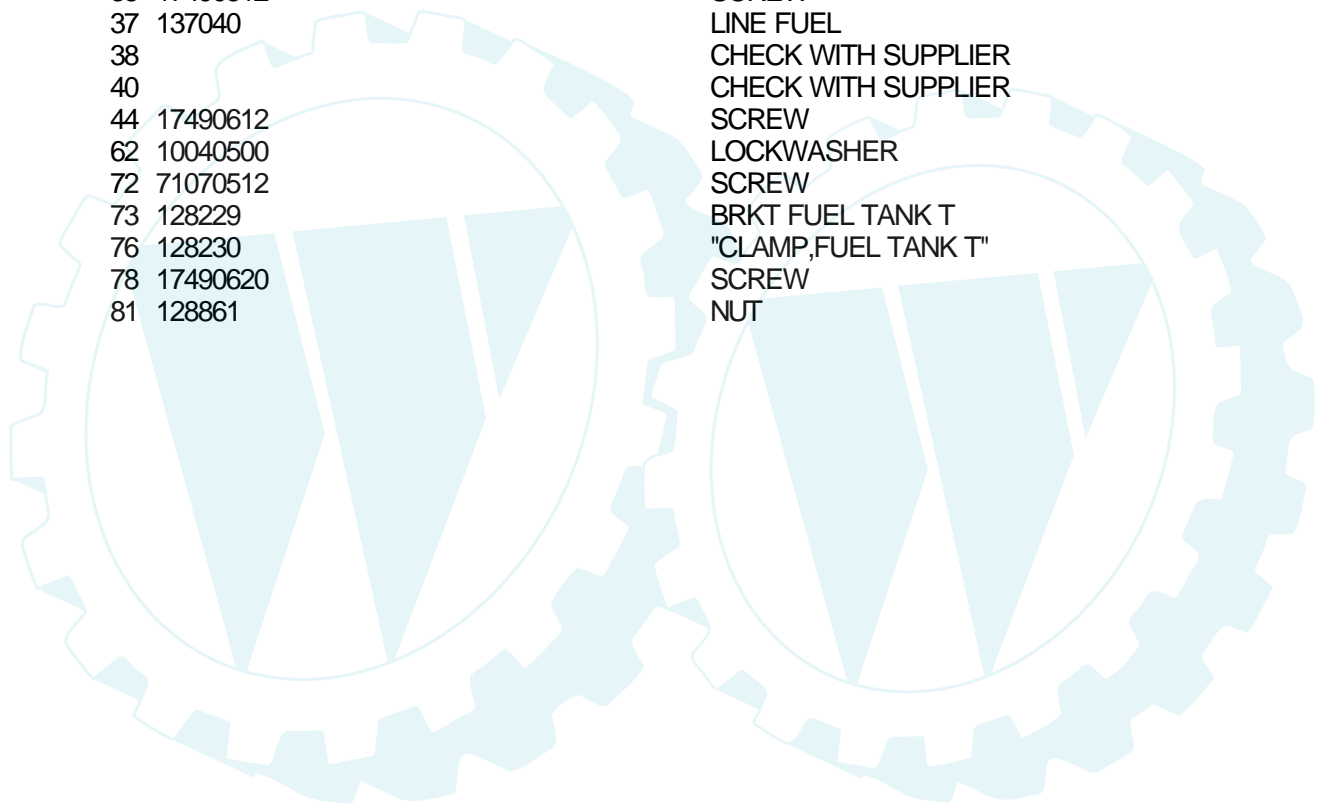
## TRACTOR - - MODEL NUMBER R14542D

### ENGINE



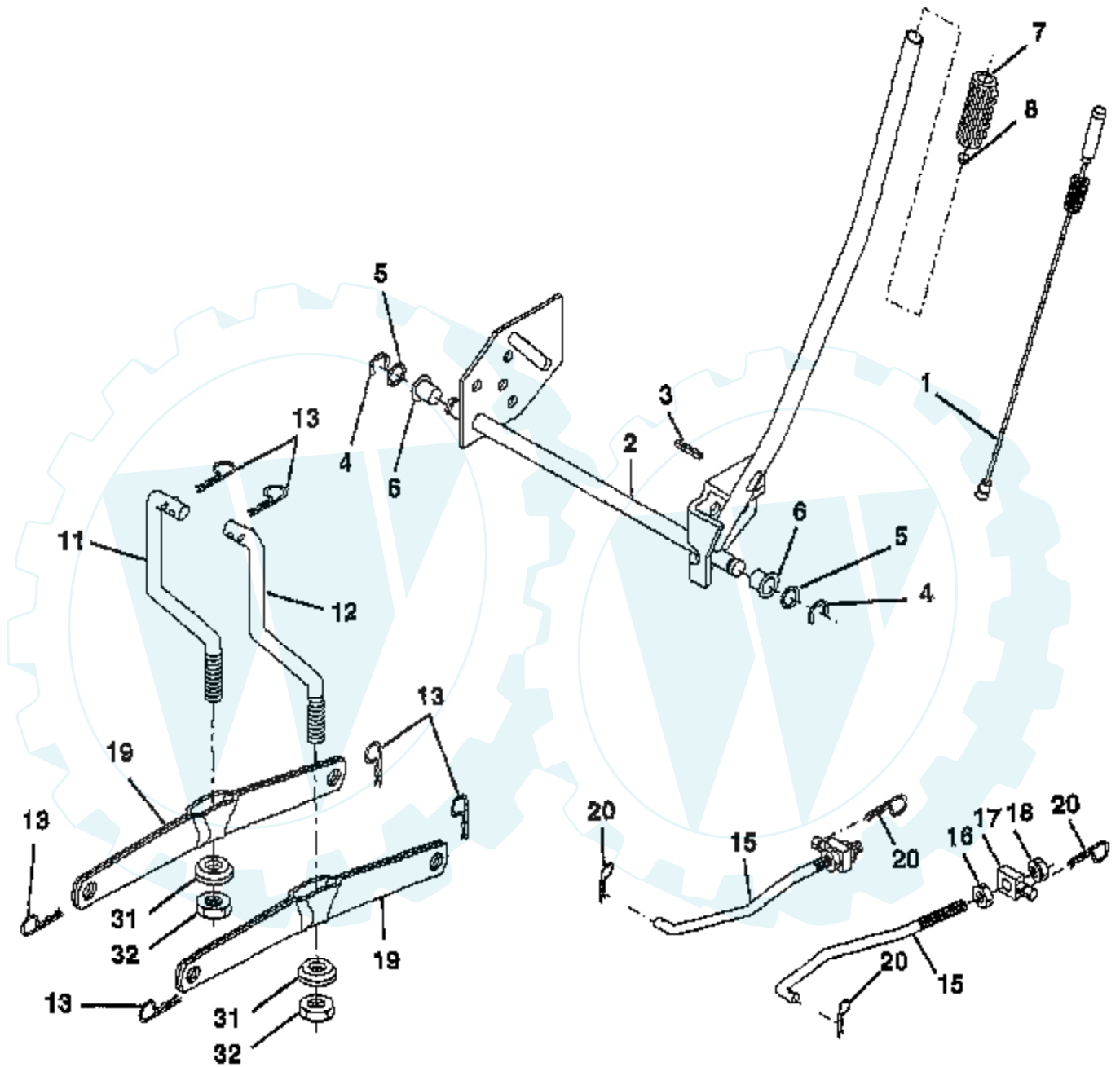
**NOTE:** All component dimensions given in U.S. inches.  
1 inch = 25.4 mm.

Ref #	Part Number	Qty	Description
1	132770		THROTTLE CONTROL
2	17720410		SCREW LT
3			CHECK WITH SUPPLIER
4	137352		MUFFLER
13	272293		GASKET ENG 1 313 LD TIN PLATED
14	13280324		PIPE NIPPLE
15	13200300		ELBOW
16	11050600		LOCKWASHER
23	159880		SHIELD.BRN/DBR.GD
29	137180		SUB= 532137180
31	109202X		TANK.FUEL.LT.
32	140527		CAP ASM FUEL
33	123487X		HOSE CLAMP
35	17490512		SCREW
37	137040		LINE FUEL
38			CHECK WITH SUPPLIER
40			CHECK WITH SUPPLIER
44	17490612		SCREW
62	10040500		LOCKWASHER
72	71070512		SCREW
73	128229		BRKT FUEL TANK T
76	128230		"CLAMP,FUEL TANK T"
78	17490620		SCREW
81	128861		NUT



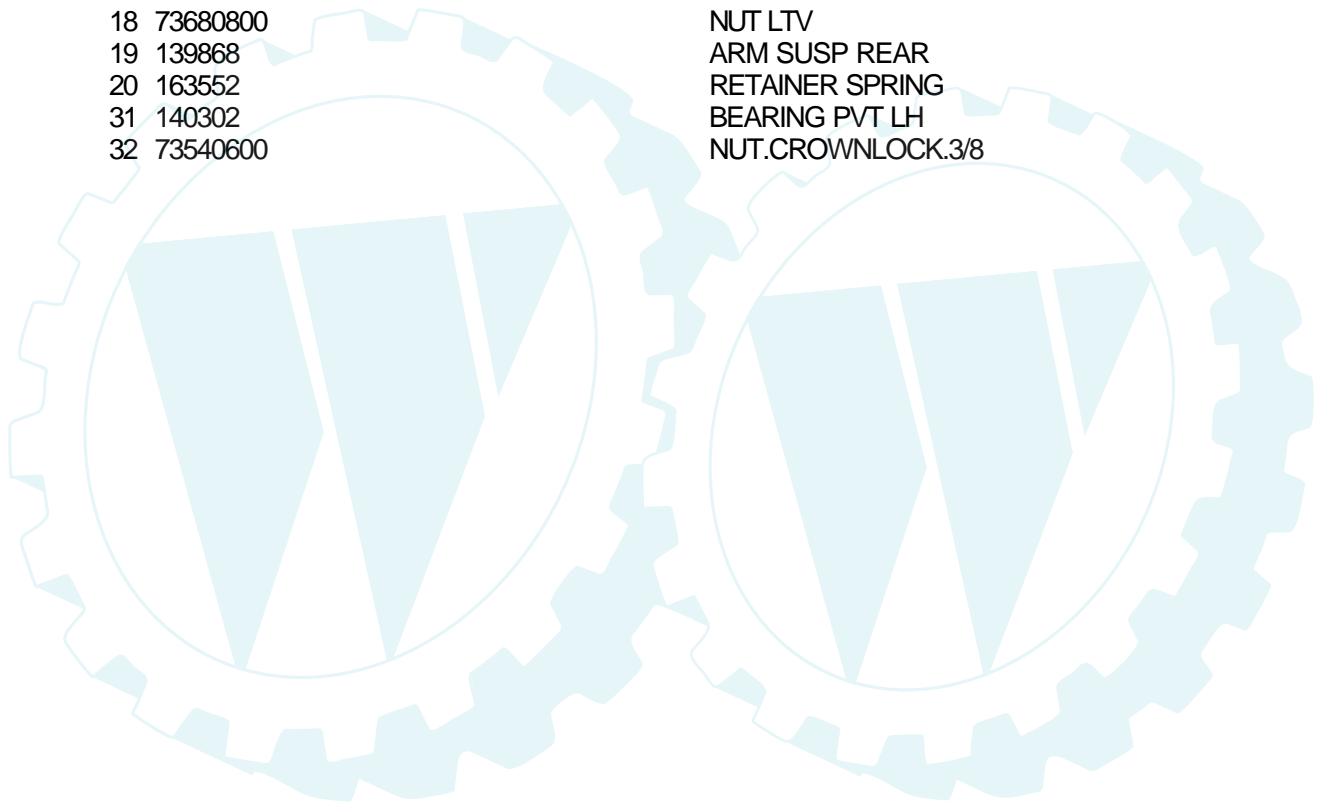
# TRACTOR - - MODEL NUMBER R14542D

## LIFT



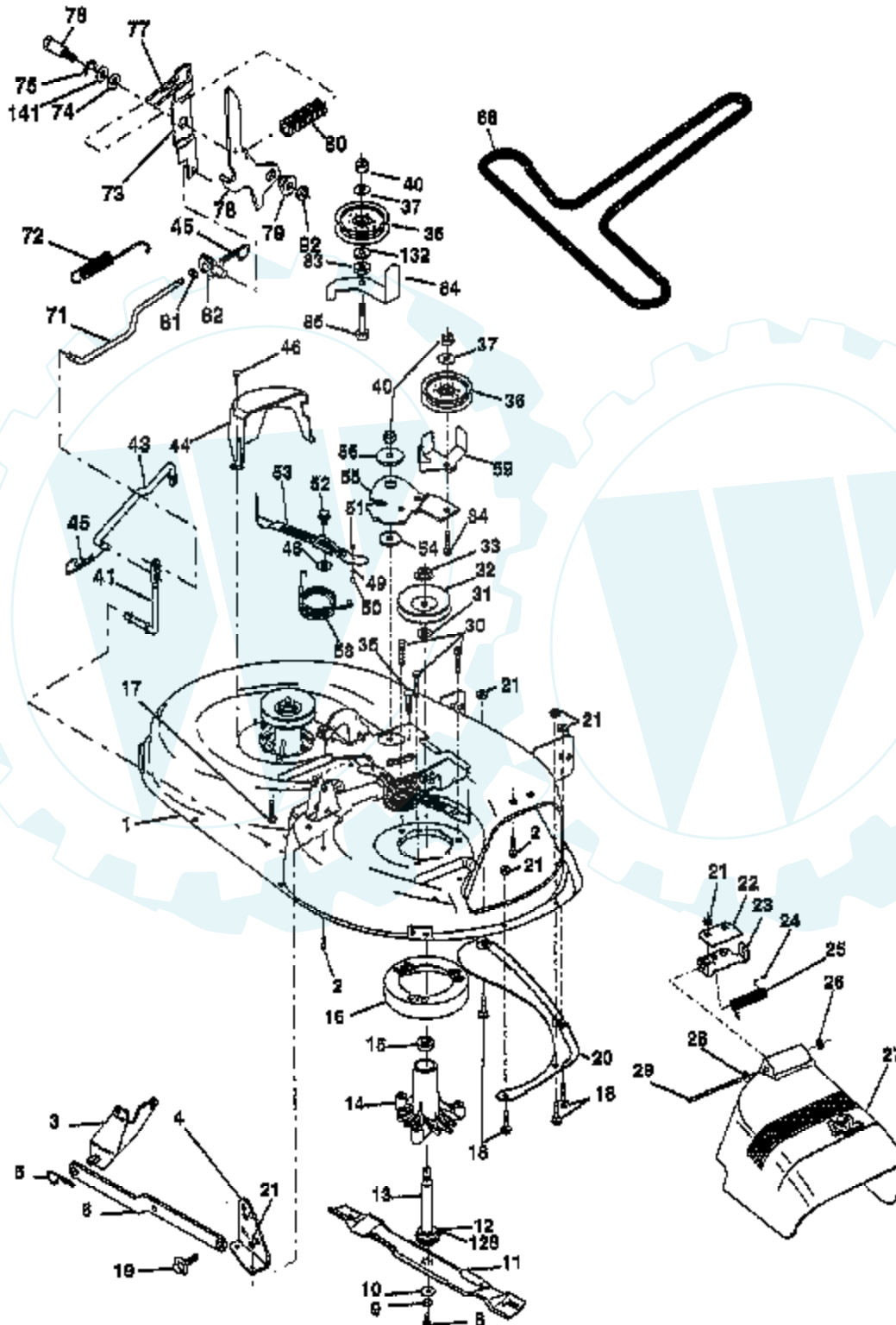
**NOTE:** All component dimensions given in U.S. inches:  
1 inch = 25.4 mm

Ref #	Part Number	Qty	Description
1	159461		WIRE.ASM.INNER.SP
2	159476		"SHAFT AMS LIFT,RH"
3	138284		PIN GROOVE
4	12000002		SUB= 2225J
5	19211621		WASHER
6	120183X		NYLON BEARING
7	109413X		GRIP
8	124526X		SUB= 125925X
11	139865		SUB= 918139865
12	139866		SUB= 151140
12	4939M		SUB= 85902
15	127218		LINK.FRONT
16	73350800		NUT
17	130171		TRUNION
18	73680800		NUT LTV
19	139868		ARM SUSP REAR
20	163552		RETAINER SPRING
31	140302		BEARING PVT LH
32	73540600		NUT.CROWNLOCK.3/8



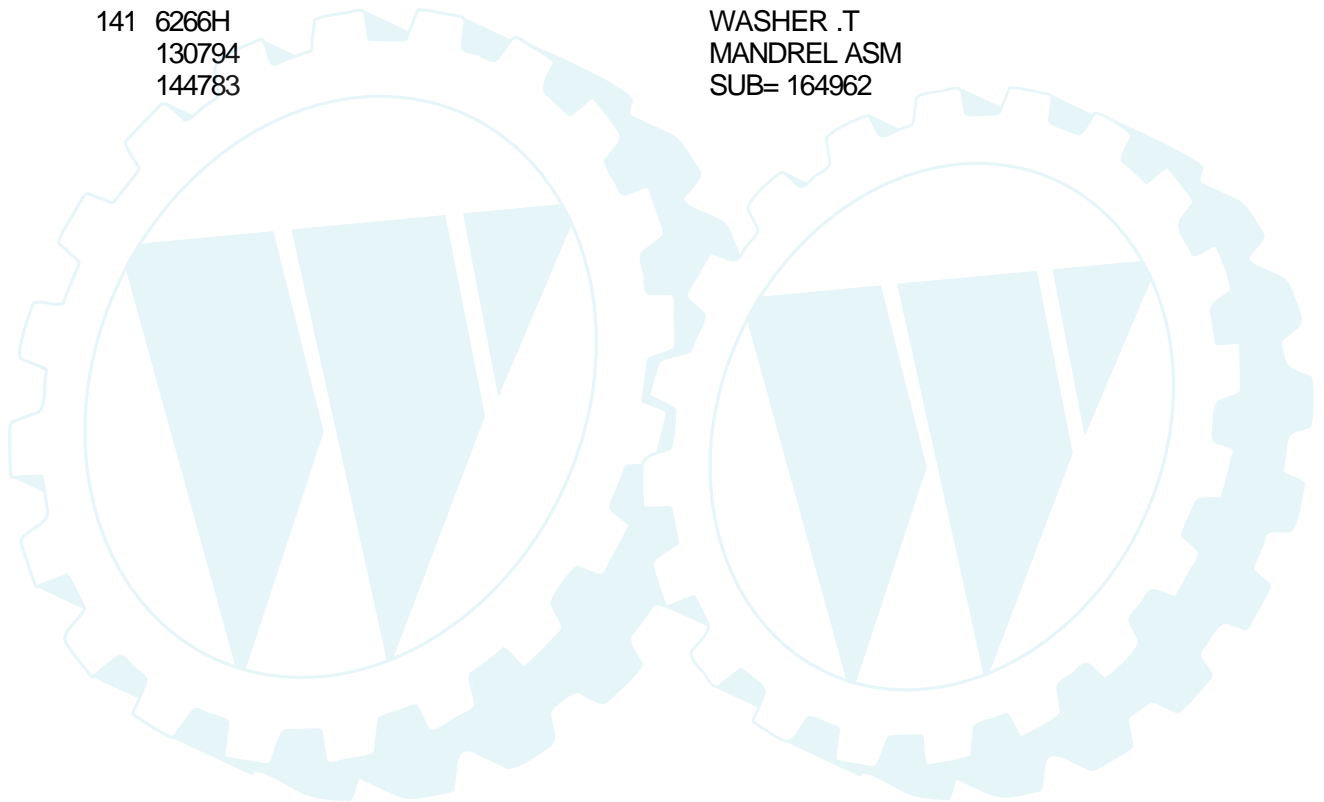
### TRACTOR - - MODEL NUMBER R14542D

### MOWER DECK



Ref #	Part Number	Qty	Description
1	144393		DECK.WELD.42.
2	72140506		BOLT
3	138017		BRKT ASM SWAY BAR
4	138440		BRKT DECK SW BAR
5	4939M		SUB= 85902
6	130832		SUB= 130833
8	850857		BLADE BOLT
9	10030600		SUB= 10040600
10	140296		WASHER.HARD.BLADE
11	138498		"BLADE.42"" HIPERF"
12	129895		BEARING.BALL
13	137645		SUB= 137646
14	128774		HSG ASM MANDREL
15	110485X		BEARING
16	140329		STRIPPER RND MWR
17	72110610		BOLT RDHD 3/8-16
18	72140505		BOLT
19	132827		BOLT SHD 5/16-18
20	159770		BAFFLE VORTEX 42
21	73680500		SUB= 73690500
22	134753		STIFFENER BRKT
23	131267		DEFLECTOR BRKT
24			CHECK WITH SUPPLIER
25	123713X		SPRING TORSION
26			CHECK WITH SUPPLIER
27	130968		DEFLECTOR.SHIELD
28	19111016		WASHER
29	131491		HINGE ROD
30	157722		"SCREW-THD ROLL,WA"
31	129963		WASHER
32	153535		PULLEY.MANDREL.42
33	137266		SUB= 139729
34	72110614		BOLT
35	133835		XMAS TREE FASTNER
36	131494		FLAT IDLER PULLEY
37	19131316		WASHER
40	73680600		SUB= 73690600
41	133551		PIVOT ROD
43	140083		ROD CLUTCH W/NIBS
44	140088		GUARD MAND LH BLK
45			CHECK WITH SUPPLIER
46	137729		SCREW.1/4-20X5/8
48	133944		HARD SMALL WASHER
49	155066		ROLLER ASM-CAM
50	131340		SHOULDER BOLT
51	69180		LOCKNUT
52	139888		BOLT.SHLD.5/16-18
53	131845		BRAKE PAD ARM ASM
54	133943		HARDENED WASHER
55	155046		ARM-IDLER
56	122052X		SPACER RETAINER
58	140086		SPRING TORSN BRAK
59	141043		GUARD IDLER TUV
68	144200		BELT.V.T-PATH
71	142427		ROD CLUTCH 38/42
72	146927		SPRING.EXT.RETURN
73	127847		CLUTCH ARM SECOND
74	121748X		WASHER

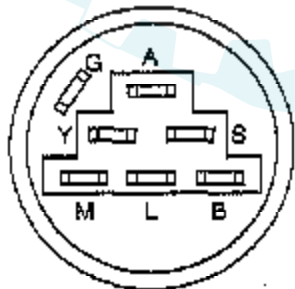
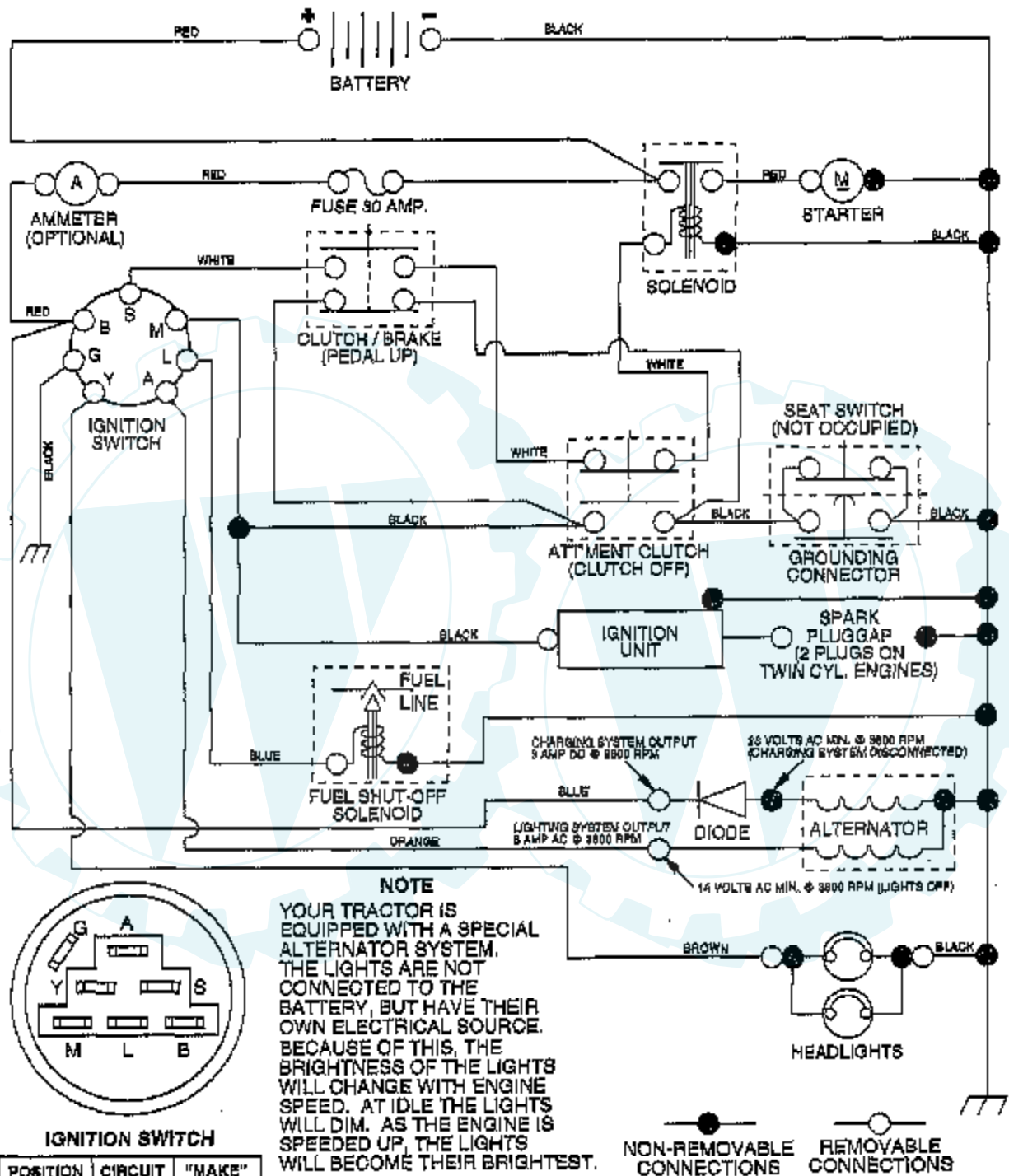
Ref #	Part Number	Qty	Description
75	12000029		RING
76	128903		SHOULDER BOLT
77	127845		SPRING KEEPER
78	160569		ARM CLUTCH PRIMARY
79	127498		BUSHING
80	153701		SPRING.CLUTCH.MWR
81	73350600		NUT
82	142028		TRUNION ADJ
83	120958X		WASHER
84	156084		"KEEPER-BELT,FIXED"
85	72140618		BOLT RDHD 3/8-16
92	73800600		NUT
128	153390		WASHER.FELT.
132	19132203		WASHER GT
141	6266H		WASHER .T
	130794		MANDREL ASM
	144783		SUB= 164962





### TRACTOR -- MODEL NUMBER R14542D

#### SCHEMATIC



**IGNITION SWITCH**

POSITION	CIRCUIT	"MAKE"
OFF	G + M + L	NONE
RUN/LIGHT	B + L	A + Y
RUN	B + L	NONE
START	B + L + S	NONE

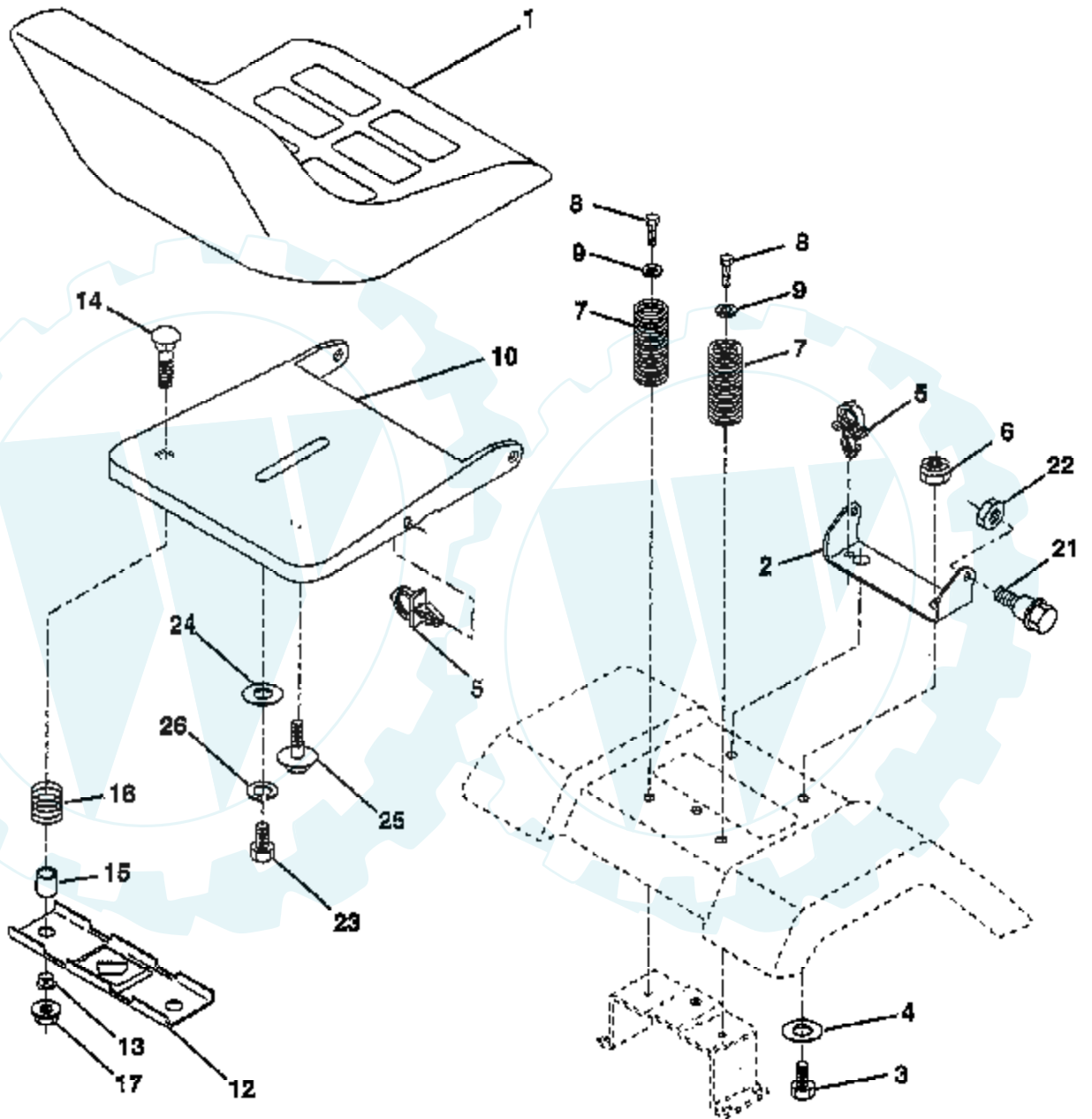
**NOTE**  
YOUR TRACTOR IS EQUIPPED WITH A SPECIAL ALTERNATOR SYSTEM. THE LIGHTS ARE NOT CONNECTED TO THE BATTERY, BUT HAVE THEIR OWN ELECTRICAL SOURCE. BECAUSE OF THIS, THE BRIGHTNESS OF THE LIGHTS WILL CHANGE WITH ENGINE SPEED. AT IDLE THE LIGHTS WILL DIM. AS THE ENGINE IS SPEEDED UP, THE LIGHTS WILL BECOME THEIR BRIGHTEST.

**WIRING INSULATED CLIPS**

**NOTE:** IF WIRING INSULATED CLIPS WERE REMOVED FOR SERVICING OF UNIT, THEY SHOULD BE REPLACED TO PROPERLY SECURE YOUR WIRING.

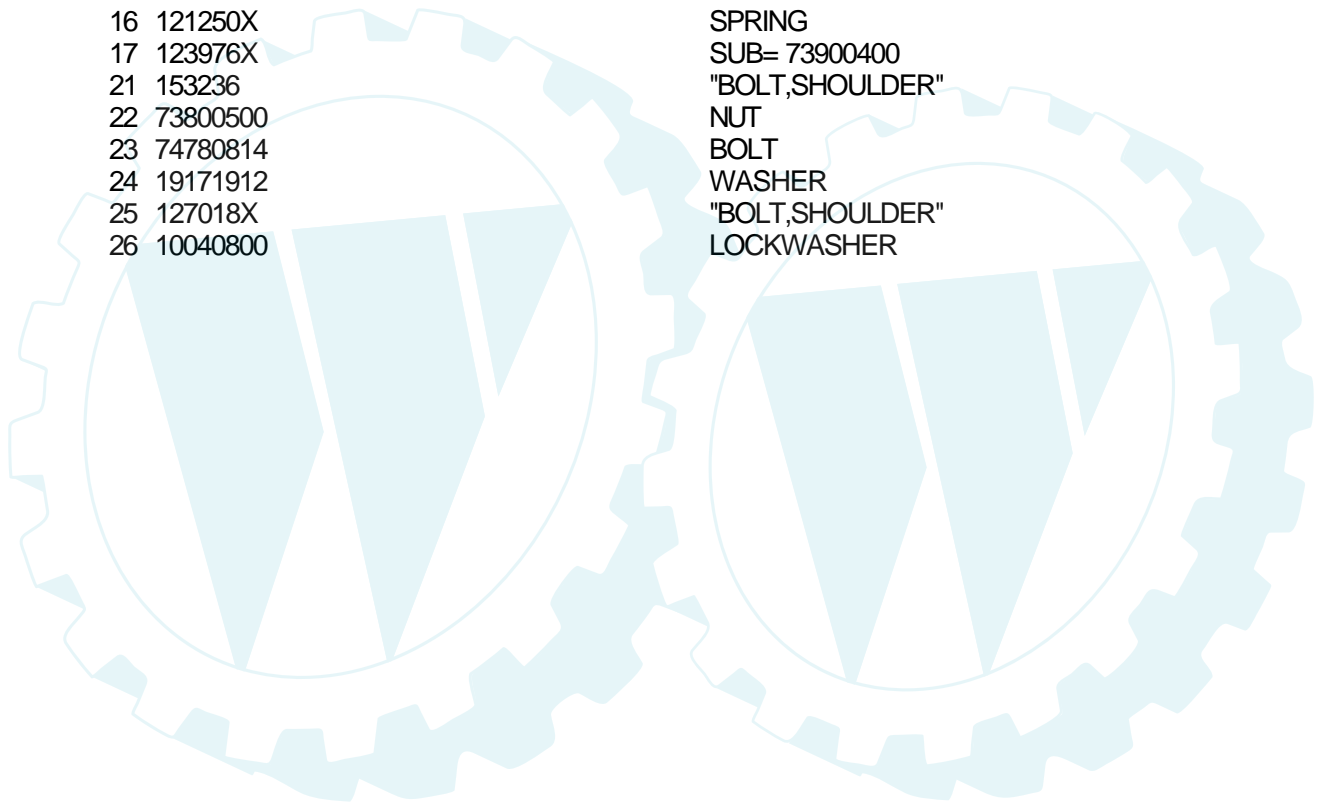
## TRACTOR - - MODEL NUMBER R14542D

### SEAT ASSEMBLY



**NOTE:** All component dimensions given in U.S. inches  
1 inch = 25.4 mm.

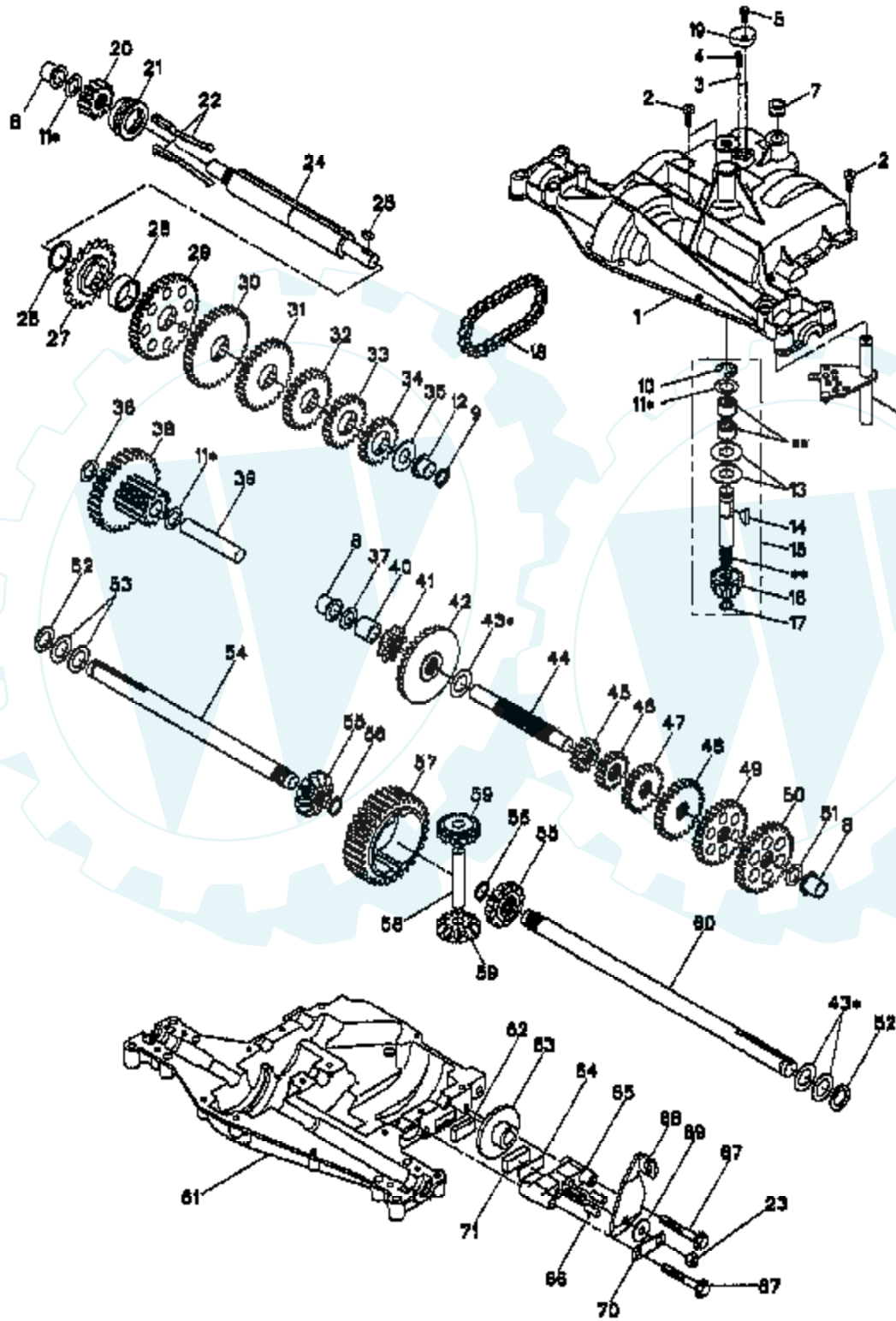
Ref #	Part Number	Qty	Description
1	127427		SUB= 140119
2	140551		BRACKET PVT SEAT
3	74760616		BOLT
4	19131610		WASHER PM
5	145006		CLIP.PUSH-IN.HING
6	73800600		NUT
7	124181X		SPRING COMPRESSIO
8	17490616		SCREW GTV
9	19131614		WASHER
10	155925		PAN-SEAT
12	121246X		BRKT SWITCH
13	121248X		BUSHING
14	72050412		BOLT-RD HD SQ NK
15	134300		SPLIT SPACER
16	121250X		SPRING
17	123976X		SUB= 73900400
21	153236		"BOLT,SHOULDER"
22	73800500		NUT
23	74780814		BOLT
24	19171912		WASHER
25	127018X		"BOLT,SHOULDER"
26	10040800		LOCKWASHER





Ref #	Part Number	Qty	Description
1	133741		SUB= 150547
2	154427		AXLE ASM
3	156483		SPINDLE.ASM.LH
4	157473		"SPINDLE ASM,RH"
5	6266H		WASHER .T
6	121748X		WASHER
7	19272016		WASHER
8	12000029		RING
9	3366R		COL. SRTG. BEAR.
10	156438		DRAGLINK-STAMPED
11	10040600		LOCKWASHER
13	154779		BEARING AXLE
12	73940800		SUB= 73360800
15	73901000		"NUT-LOC,FLANGE LT"
17	156543		SHAFT ASM STEERNG
18	57079		THRUST WASHER
19	124035X		SUPPORT.SHAFT
20	126684X		SUB= 532126684
22	71200410		SCREW HEX SOC1/4-
23	127501		SUB= 918127501
25	154406		BRKT-STEERING
26	126847X		BUSHING.DRAGLINK
27	136874		GEAR SECTOR
28	19131416		WASHER
29	17490612		SCREW
30	76020412		COTTER PIN
31	138171		BRKT.PVT.MAN.LVR.
32	130465		TIE ROD
36	145207		BUSHING.STRG.3/4
37	152927		"SCREW-TT,10-32 FL"
38	133742		ST WHL INSERT CAP
39	100712K		WASHER
40	7810H		GRIPCO NUT
41	100711L		ADAPTER LT
42	140216		BOOT SHAFT STEER
43			CHECK WITH SUPPLIER
45	162132		KNOB.RD.7/16-14
46	121232X		CAP
47	6855M		ZERK M
48	146841		LEVER.ASM.CLUTCH
49	131291		LINK CLTCH W/NUTS
52	106451X		"BOLT, SHOULDER LT"
53	73680600		SUB= 73690600
62	156595		KIT STEERING ASM
65	154780		SPACER AXLE
66	154404		"BEARING-ARM,PITMA"
67	74781044		BOLT
68	154429		BRACE AXLE

**TRACTOR - - MODEL NUMBER R14542D**  
**TRANSAXLE DANA - MODEL NUMBER 4360-128**



Ref #	Part Number	Qty	Description
1	160955		HOUSING.UPPER(5305-P)
2	2274J		SUB= 74760412
3	134400		SUB= 68003
4	105904X		"SPRING, DETENT LT"
5	160940		SCREW.TAPPING.1/4-20X.734
6	138235		KIT SHIFTER ASM
7	108727X		SUB= 108776X
8	148266		SUB= 105911X
9	148269		SEAL.OIL.DAN.5508
10	2225J		RETAINING RING LT
11	134793		ASM KIT SHIM 4689
12	148268		BEARING.FLNG.5511
13	120415X		WASHER T
14	142674		KEY WOODRUFF-DANA
15	161563		INPUT SHAFT KIT 6250
16	161564		PINION.BEVEL.12T(5620)
17	105909X		"RING,RETAINING LT"
18	105910X		"CHAIN,24 PTCH LT"
19	160942		COVER.DETENT.(5584)
20	160943		GEAR.SPUR.12T.(5627)
21	148267		CLUTCH.COL.5467
22	138236		ASM KIT CLTCH KEY
23	73810500		NUT.LOCK.5/16-24
24	142676		SHAFT INTERM DANA
25	2244J		WOODRUFF KEY
26	105916X		"RING,RETAINING LT"
27	120470X		SPROCKET 18T T
28	110070X		SPACER YT
29	142677		GEAR SPUR 37 TTH
30	142681		GEAR SPUR 35 TTH
31	124644X		GEAR SPUR 30T
32	108980X		GEAR 25T LT
33	120406X		GEAR SPUR 22 TT
34	134796		SPUR GEAR 19T
35	105925X		"WASHER, PLAIN LT"
36	2228J		WASHER 045
37	2231J		WASHER 031
38	160944		ASSY.GEAR.6153 12T&30T
39	124639X		SHAFT IDLER
40	120472X		SPACER T
41	105928X		SPROCKET 9T LT
42	161565		GEAR.BEVEL.36T(5621)
43	134394		ASM KIT SHIM
44	120473X		SHAFT T
45	142678		GEAR SPUR 12 TTH
46	143697		SUB= 148305
47	124641X		GEAR SPUR 20T
48	106589X		"GEAR, SPUR 25T LT"
49	120408X		GEAR 28T T
50	105937X		"GEAR, SPUR 31T LT"
51	2226J		WASHER 060
52	134401		NEOPRENE WASHER
53	2264J		WASHER 031
54	160946		AXLE.LH(5528-1)
55	160947		MITER 5270 12T.SPLINED
56	160948		RING.RETAINING.(5270)
57	110071X		SUB= 120478X
58	120952X		SHAFT T

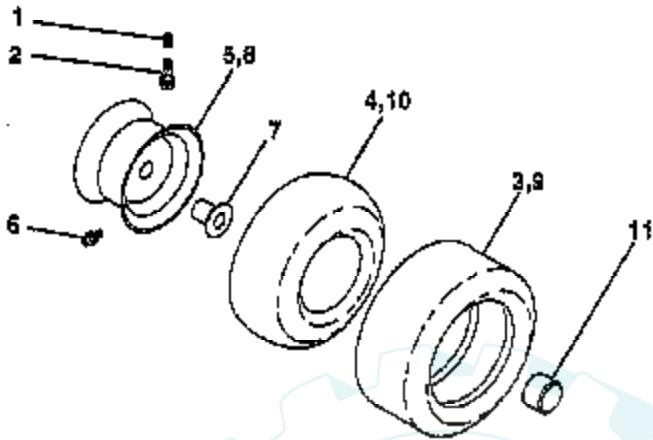
Ref #	Part Number	Qty	Description
59	160949		MITER 5623.12T.IDLER
60	160950		AXLE.RH.(5528-2) DANA
61	160951		HOUSING.KIT (6088)
62	120961X		PUCK T
63	7294J		BRAKE DISC. T
64	108989X		SPACER LT
65	160952		JAW, BRAKE
66	120954X		PIN T
67	160953		SCREW.(5562) .5/16-18X2.35
68	138244		SUB= 108992X
69	108996X		WASHER LT
70	160954		BRACKET, ANTI-ROTATION
71	120951X		PUCK T
72	120416X		SUB= 126976X



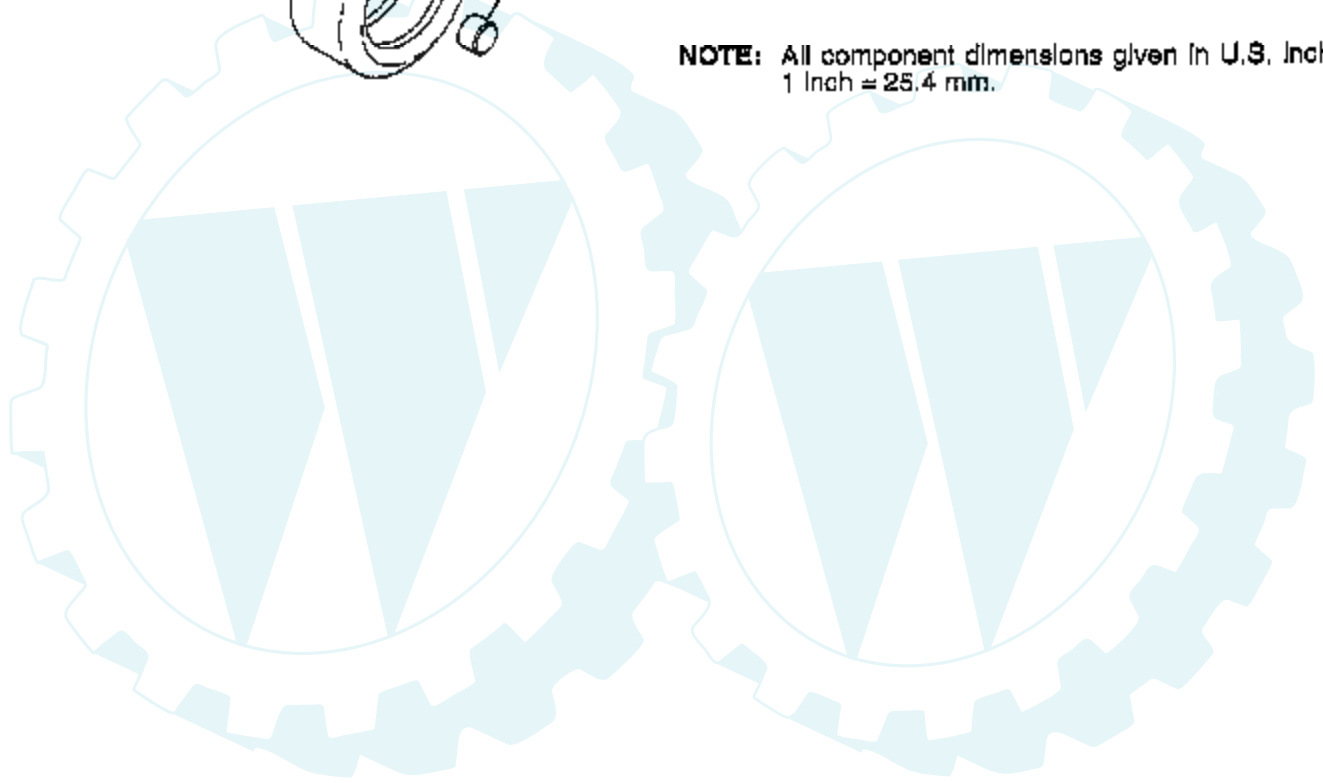


## TRACTOR - - MODEL NUMBER R14542D

### WHEELS & TIRES



**NOTE:** All component dimensions given in U.S. Inches  
1 Inch = 25.4 mm.



Ref #	Part Number	Qty	Description
1	59192		VALVE CAP
2	65139		VALVE STEM LT
3	106222X		SUB= 122073X
4	59904		TUBE.5.3/4.5/6
5	106732X427		"RIM ASM 6"" FRT"
6	278H		FITTING LT
7	9040H		"FLANGE, BEARING"
8	106108X427		"RIM AS 8"" REAR"
9	124635X		SUB= 126957X
10	7152J		TUBE.18X9.5-8
11	104757X		HUB CAP
	144334		SEALANT.TIRE 10 OZ. TUBE

