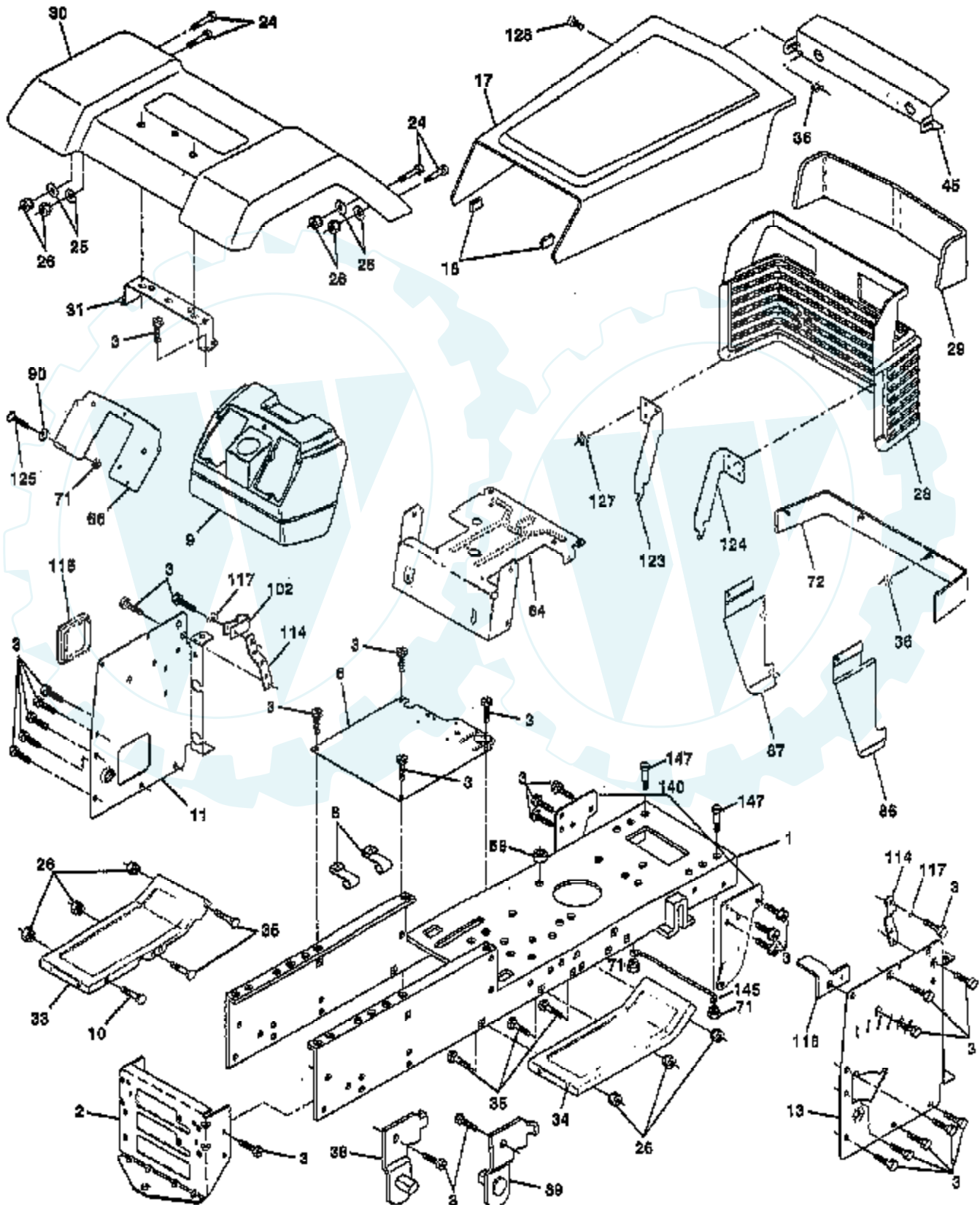


TRACTOR - - MODEL NUMBER R14542A

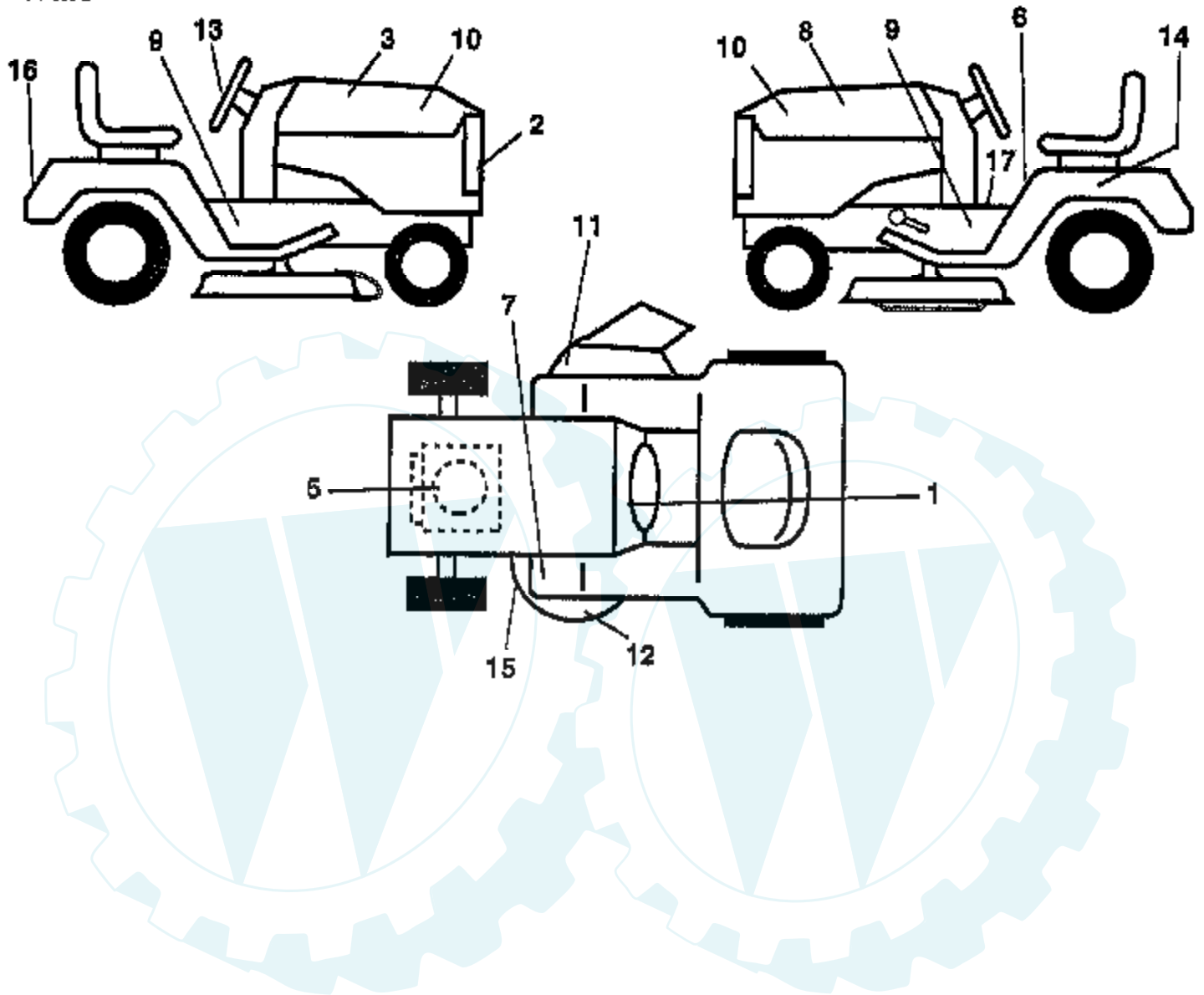
CHASSIS AND ENCLOSURES



| Ref # | Part Number | Qty | Description |
|-------|-------------|-----|---------------------|
| 1 | 159530 | | CHASSIS ASM |
| 2 | 140356 | | SUB= 145009 |
| 3 | 17490612 | | SCREW |
| 6 | 155924X012 | | SADDLE |
| 8 | 126471X | | "CLIP,INSULATOR" |
| 9 | 145203 | | DASH.PLASTIC.BLK |
| 10 | 72140608 | | SUB= 72110608 |
| 11 | 145218 | | PANEL.DASH.LH. |
| 13 | 145223 | | PANEL.DASH.RH.NOT |
| 17 | 123801X505 | | HOOD.ASM.YTGT.PNT |
| 18 | 126938X | | SUB= 532126938 |
| 24 | 74780616 | | BOLT |
| 25 | 19131312 | | WASHER |
| 26 | 73800600 | | NUT |
| 28 | 140671 | | GRILLE ASM WELD |
| 29 | 110898X | | LENS T |
| 30 | 109872X505 | | FENDER |
| 31 | 136619 | | BRKT FENDER |
| 33 | 105476X505 | | FOOTREST LH |
| 34 | 105475X505 | | FOOTREST RH |
| 35 | 72110606 | | BOLT |
| 36 | 108067X | | PAL NUT LT |
| 38 | 139886 | | BRACKET ASM LH |
| 39 | 139887 | | BRACKET ASM RH |
| 45 | 132257 | | SUB= 918132257 |
| 59 | 110436X | | SUB= 9151R |
| 64 | 150272 | | DASH.LOWER.LT |
| 66 | 156277X011 | | PLATE SLKSCR.OM |
| 71 | 73640400 | | NUT HXKEP 1/4X20 |
| 72 | 110350X505 | | STRAP GRILLE 505 |
| 86 | 123764X505 | | PANEL.SIDE.RH.ASM |
| 87 | 123765X505 | | PANEL.SIDE.LH.ASN |
| 90 | 19091216 | | WASHER PM |
| 102 | 2751R | | CLIP T |
| 114 | 145349 | | BRACKET.SUPT.DASH |
| 115 | 121794X | | COVER ACCESS |
| 117 | 144283 | | WASHER.SERRATED. |
| 118 | 145595 | | BRACKET.CLUTCH.MC |
| 123 | 149037 | | BRACKET.PICK.LH. |
| 124 | 149036 | | BRACKET.PICK.RH. |
| 125 | 74180412 | | SCREW |
| 127 | 120579X | | PAL NUT |
| 128 | 124201X | | SCREW SPECIAL |
| 140 | 158418 | | BRKT SUSPENSION |
| 145 | 156524 | | "ROD POVOT,CHASSIS" |
| 147 | 74760412 | | BOLT LT |
| | 5479J | | PLUG BUTTON T |

TRACTOR - - MODEL NUMBER R14542A

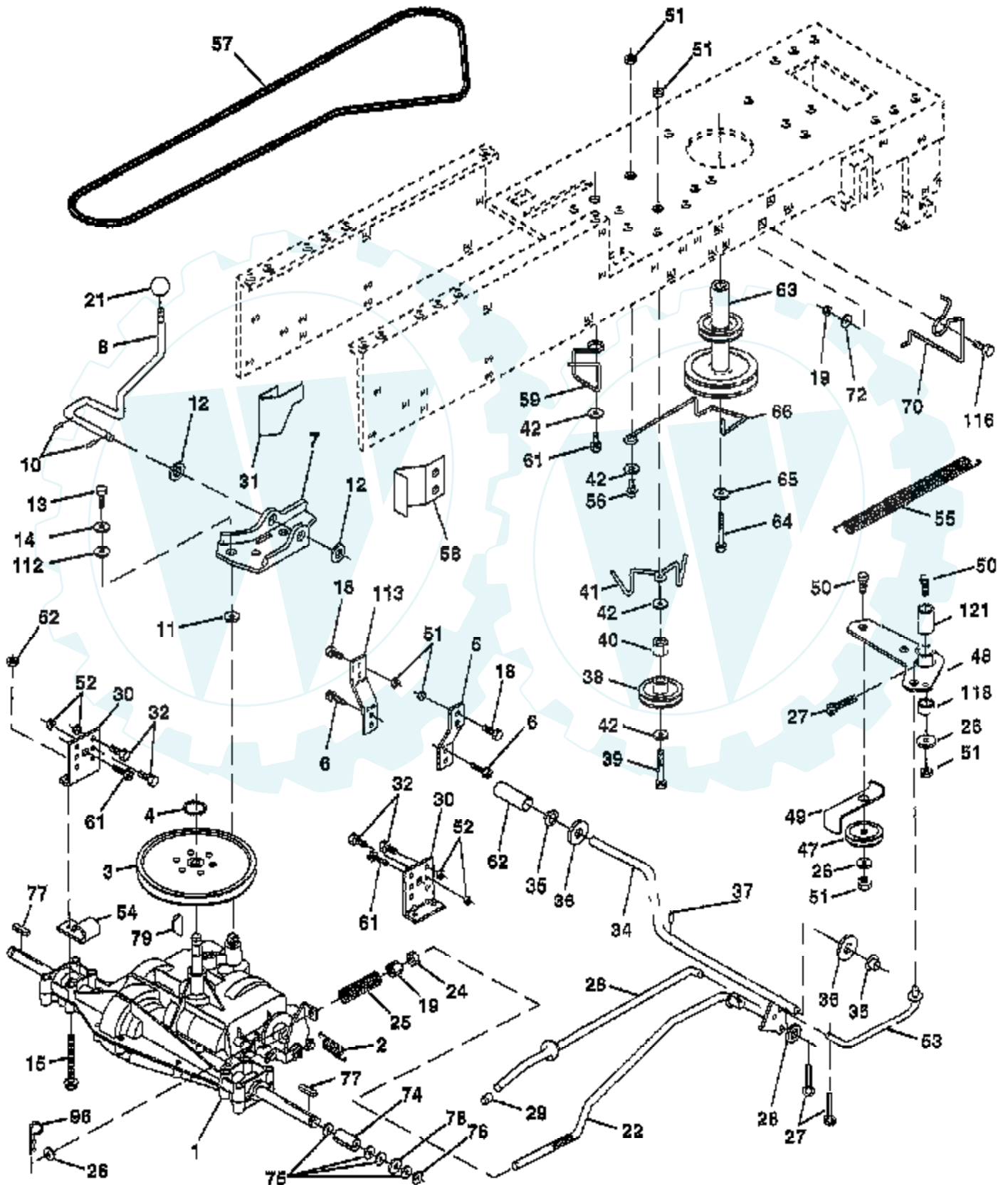
DECALS



| Ref # | Part Number | Qty | Description |
|-------|-------------|-----|-----------------------|
| 1 | 157106 | | DECAL.INSTR.FRENC |
| 2 | 132627 | | GRILL DECAL |
| 3 | 146747 | | DECAL.HD.RH.RALLY |
| 5 | 272991 | | DECAL, ENGINE |
| 6 | 157140 | | DECAL.CAUT.ENG/FR |
| 7 | 101892X | | DECAL T |
| 8 | 146748 | | DECAL.HD.LH.RALLY |
| 9 | 131425 | | CHASSIS DECAL |
| 10 | 146644 | | DECAL.INS.HD.RALL |
| 11 | 137259 | | "DECAL, WARNING" |
| 12 | 135013 | | NLA |
| 13 | 127075 | | "DECAL,STR WHL" |
| 14 | 145005 | | DECAL.BATRY.3-3908 |
| 15 | 136832 | | DECAL |
| 16 | 132628 | | FENDER DECAL |
| 17 | 140837 | | DECAL BRAK PARK |
| | 138311 | | DECAL HANDLE LIFT |
| | 159635 | | MANUAL.P.R14542A |
| | 158124 | | MANUAL.GENERIC.42 |
| | LBD48 | | SNOW BLADE |
| | C42 | | GRASS CATCHER |
| | LC05 | | WHEEL WTS. |
| | CH12 | | TIRE CHAINS |
| | LSB42 | | SNOW THROWER |
| | MK420 | | MULCHING KIT W/BLADES |

TRACTOR - - MODEL NUMBER R14542A

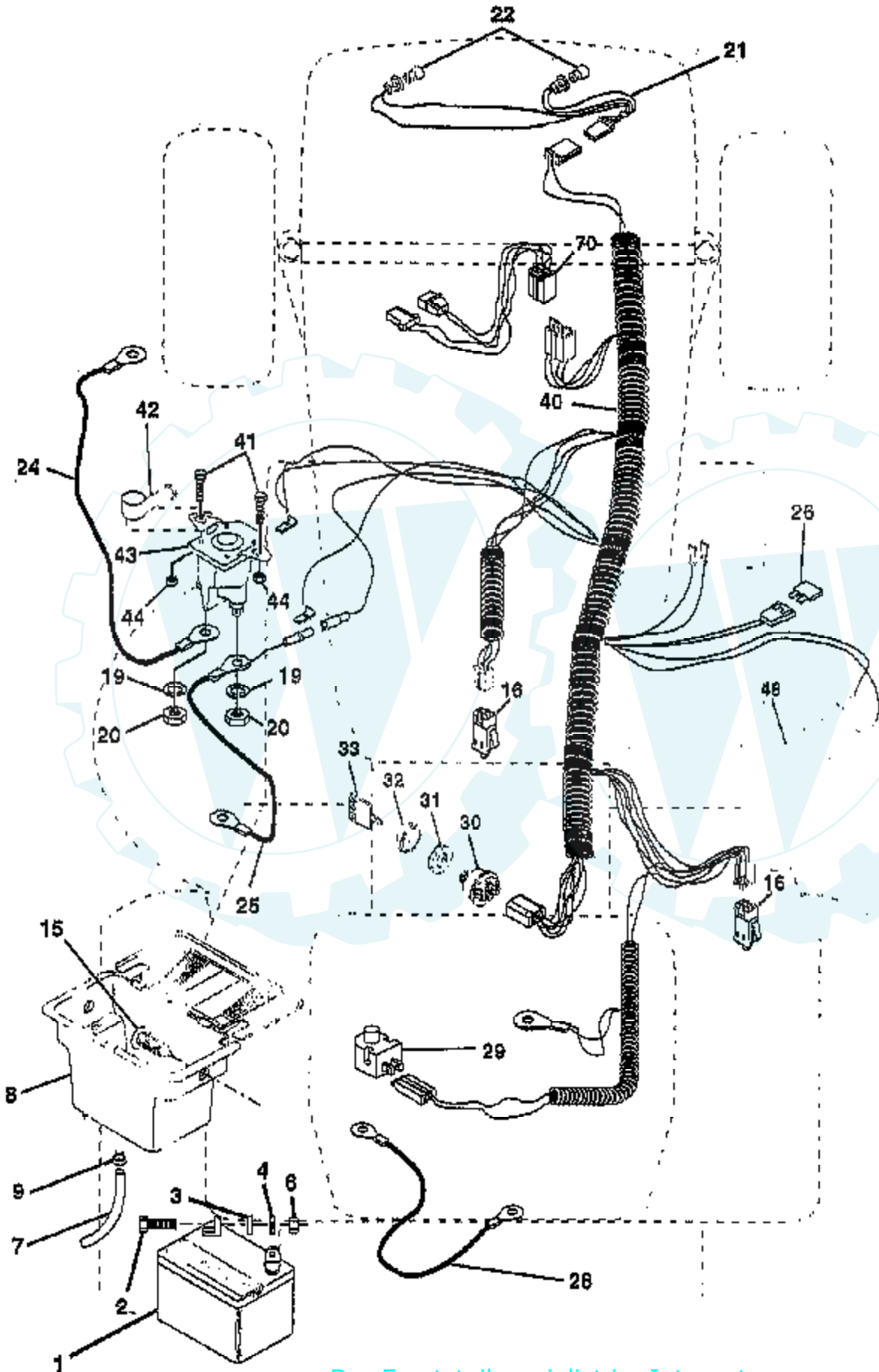
DRIVE



| Ref # | Part Number | Qty | Description |
|-------|-------------|-----|---------------------|
| 1 | 930-055A | | TRANSAXLE, PEERLESS |
| 2 | 146682 | | SPRING.BRAKE.RETU |
| 3 | 123666X | | PULLEY TRANS |
| 4 | 12000028 | | SUB= 2267J |
| 5 | 121520X | | STRAP TORQUE |
| 6 | 17490512 | | SCREW |
| 7 | 130802 | | SUB= 162240 |
| 8 | 131679 | | SHIFT ROD |
| 10 | 76020416 | | PIN COTTER 1/8 |
| 11 | 105710X | | "LINK, CLUTCH T" |
| 12 | 19151216 | | WASHER |
| 13 | 74550412 | | BOLT.1/4-28.W/PAT |
| 14 | 10040400 | | LOCKWASHER |
| 15 | 74490544 | | BOLT.HX.FLG.5/16 |
| 18 | 74780616 | | BOLT |
| 19 | 73800600 | | NUT |
| 21 | 106933X | | KNOB T (1/2-HOLE) |
| 22 | 130804 | | BRAKE ROD |
| 24 | 73350600 | | NUT |
| 25 | 106888X | | SPRING ROD LT |
| 26 | 19131316 | | WASHER |
| 27 | 76020412 | | COTTER PIN |
| 28 | 145204 | | ROD.BRAKE.PARK.LT |
| 29 | 71673 | | PLUNGER CAP T |
| 30 | 130807 | | TRANSAXLE MTG BKT |
| 31 | 127275X | | "KEEPER,BELT LH T" |
| 32 | 74760512 | | BOLT |
| 34 | 155071 | | SHAFT ASM-PEDAL F |
| 35 | 120183X | | NYLON BEARING |
| 36 | 19211616 | | WASHER LT |
| 37 | 1572H | | SUB= 2882J |
| 38 | 123674X | | PULLEY.IDLER.FLAT |
| 39 | 74760644 | | BOLT |
| 40 | 4470J | | SPACER T |
| 41 | 154777 | | SUB= 165692 |
| 42 | 19131312 | | WASHER |
| 47 | 127783 | | SUB= 139245 |
| 48 | 154604 | | BELLCRANK ASM |
| 49 | 123205X | | RETAIN BELT |
| 50 | 74760624 | | SUB= 74930624 |
| 51 | 73680600 | | SUB= 73690600 |
| 52 | 73680500 | | SUB= 73690500 |
| 53 | 105710X | | "LINK, CLUTCH T" |
| 55 | 105709X | | "SPRING, RETURN LT" |
| 56 | 74760620 | | SUB= 74780620 |
| 57 | 130801 | | SUB= 138255 |
| 58 | 127274X | | "KEEPER,BELT RH T" |
| 59 | 140312 | | KEEPER BELT CNTSP |
| 61 | 17490612 | | SCREW |
| 32 | 8883R | | PEDAL COVER T |
| 63 | 140186 | | PULLEY.ENGINE |
| 64 | 71170764 | | BOLT |
| 65 | 10040700 | | LOCKWASHER |
| 66 | 154778 | | KEEPER-BELT |
| 70 | 134683 | | KEEPER BELT ENG |
| 72 | 19132012 | | WASHER |
| 74 | 137057 | | SPACER AXLE |
| 75 | 121749X | | WASHER |

| Ref # | Part Number | Qty | Description |
|-------|-------------|-----|-------------------|
| 76 | 12000001 | | E-RING LT |
| 77 | 123583X | | SQUARE KEY |
| 78 | 121748X | | WASHER |
| 79 | 2228M | | SUB= 2228M1 |
| 96 | 4497H | | RETAINER M |
| 112 | 19091210 | | WASHER LT |
| 113 | 127285X | | "STRAP,TORQUE" |
| 116 | 72110610 | | BOLT RDHD 3/8-16 |
| 118 | 154774 | | SPACER-BELLCRANK |
| 121 | 154419 | | NYLINER-CLUTCHING |

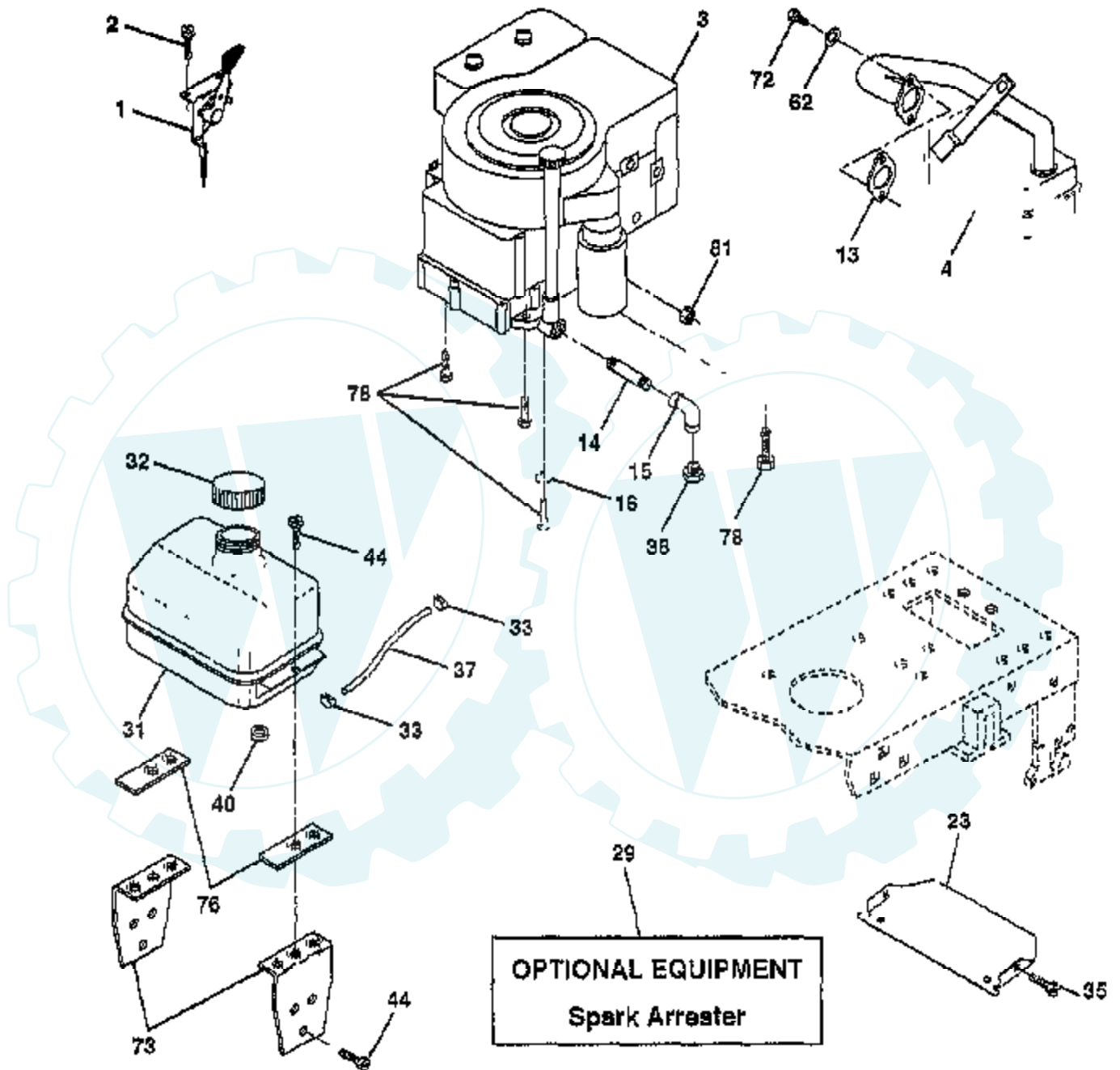




| Ref # | Part Number | Qty | Description |
|-------|-------------|-----|---------------------|
| 1 | 144925 | | SUB= 123899X |
| 2 | 74760412 | | BOLT LT |
| 3 | 19091016 | | WASHER |
| 4 | 10040400 | | LOCKWASHER |
| 6 | 73220400 | | SUB= 50675 |
| 7 | 109238X | | TUBE T |
| 8 | 156417 | | "CASE,BATTERY.MECH" |
| 9 | 109596X | | HOSE CLAMP T |
| 15 | 147688 | | FASTNER.SNAP-IN |
| 16 | 153664 | | SWITCH INTERLOCK |
| 19 | 10090400 | | SUB= 10040400 |
| 20 | 73350400 | | NUT |
| 21 | 136850 | | "HARNES,LIGHT SOC" |
| 22 | 4152J | | HEADLAMP BULB |
| 24 | 146136 | | CABLE.BTRY.6GA.RD |
| 25 | 148009 | | CABLE.BTRY.6GA.38 |
| 26 | 108824X | | FUSE HYT |
| 28 | 4207J | | CABLE T |
| 29 | 121305X | | SWITCH SEAT |
| 30 | 140301 | | SWITCH IGN 4POS |
| 31 | 124211X | | NUT IGNITION |
| 32 | 141226 | | COVER KEY SWITCH |
| 33 | 122147X | | KEY |
| 40 | 156149 | | HARNES IGNITION |
| 41 | 71110408 | | BOLT HXHD FIN |
| 42 | 131563 | | SUB= 154336 |
| 43 | 145673 | | SUB= 146154 |
| 44 | 73640400 | | NUT HXKEP 1/4X20 |
| 48 | 140844 | | ADAPTER AMMETER |
| 70 | 140422 | | HARNES.ENG.DUAL |

TRACTOR - - MODEL NUMBER R14542A

ENGINE

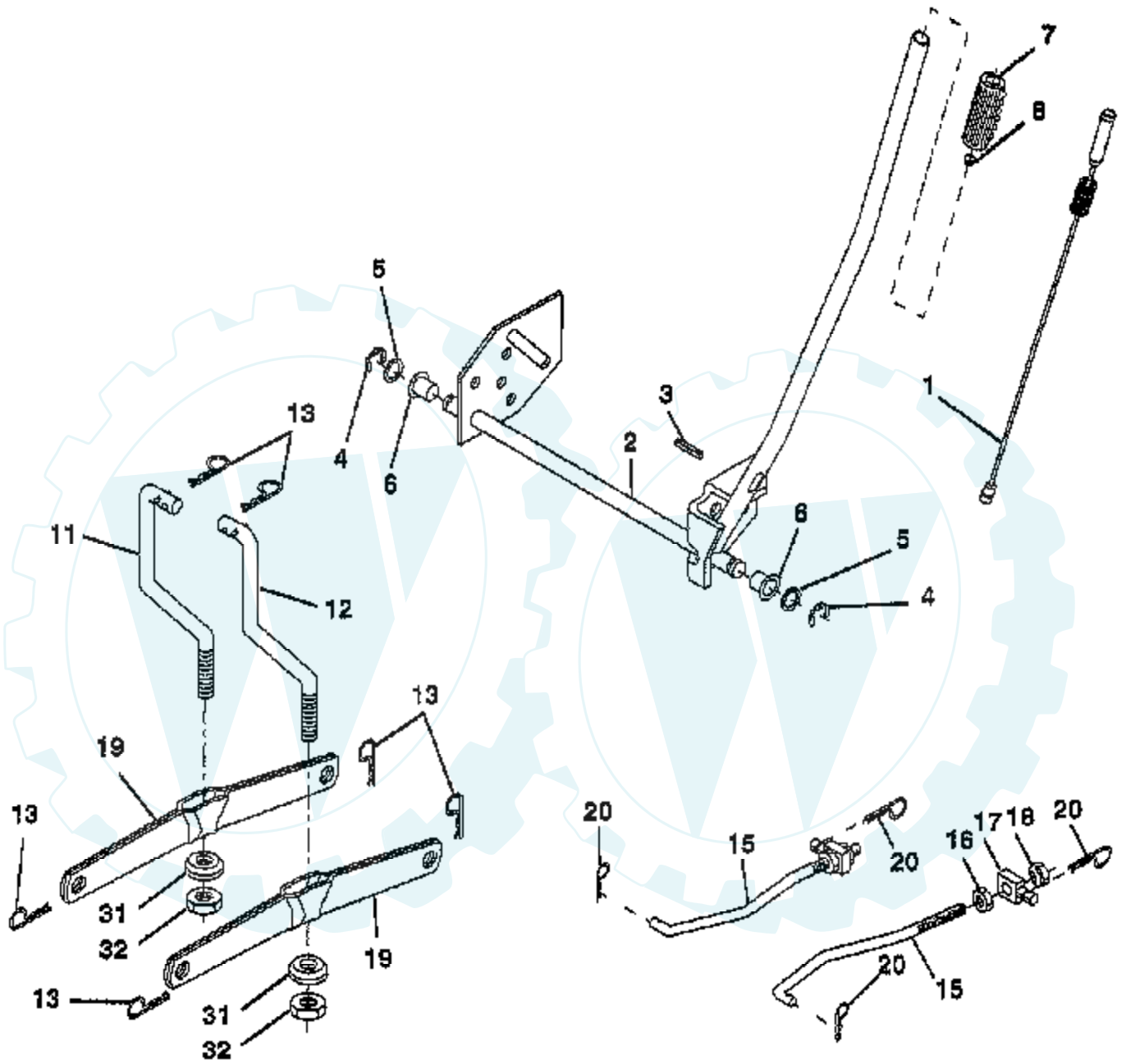


NOTE: All component dimensions given in U.S. inches.
1 inch = 25.4 mm.

| Ref # | Part Number | Qty | Description |
|-------|-------------|-----|--------------------------------|
| 1 | 132770 | | THROTTLE CONTROL |
| 2 | 17720410 | | SCREW LT |
| 3 | 287707 | | ENGINE B&S |
| 4 | 137352 | | MUFFLER |
| 13 | 272293 | | GASKET ENG 1 313 LD TIN PLATED |
| 14 | 13280324 | | PIPE NIPPLE |
| 15 | 13200300 | | ELBOW |
| 16 | 11050600 | | LOCKWASHER |
| 23 | 156123 | | SHIELD-HEAT |
| 29 | 137180 | | SUB= 532137180 |
| 31 | 109202X | | TANK.FUEL.LT. |
| 32 | 140527 | | CAP ASM FUEL |
| 33 | 123487X | | HOSE CLAMP |
| 35 | 17490512 | | SCREW |
| 37 | 137040 | | LINE FUEL |
| 38 | | | REFER TO IMAGE |
| 40 | 110436X | | SUB= 9151R |
| 444 | 17490612 | | SCREW |
| 62 | 10040500 | | LOCKWASHER |
| 72 | 71070512 | | SCREW |
| 73 | 128229 | | BRKT FUEL TANK T |
| 76 | 128230 | | "CLAMP,FUEL TANK T" |
| 78 | 17490620 | | SCREW |
| 81 | 128861 | | NUT |

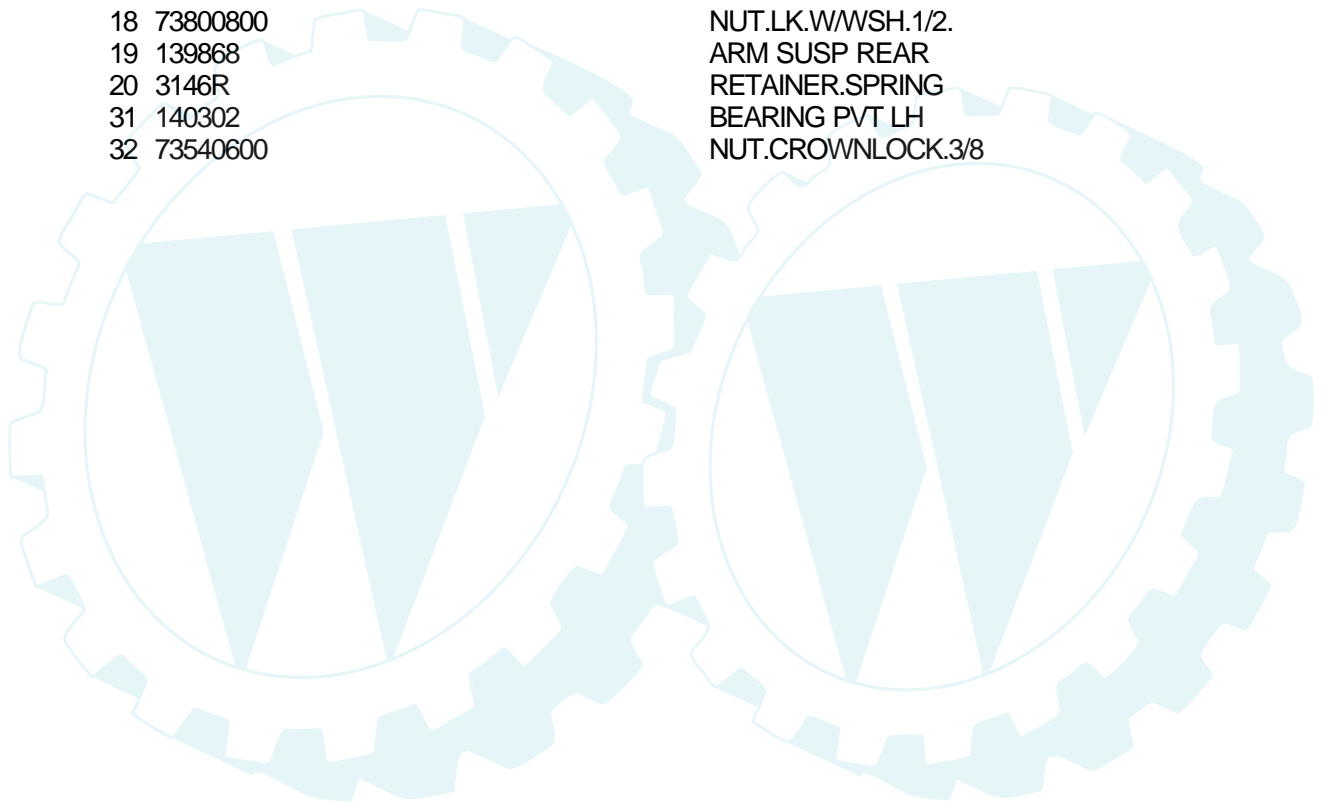
TRACTOR - - MODEL NUMBER R14542A

LIFT



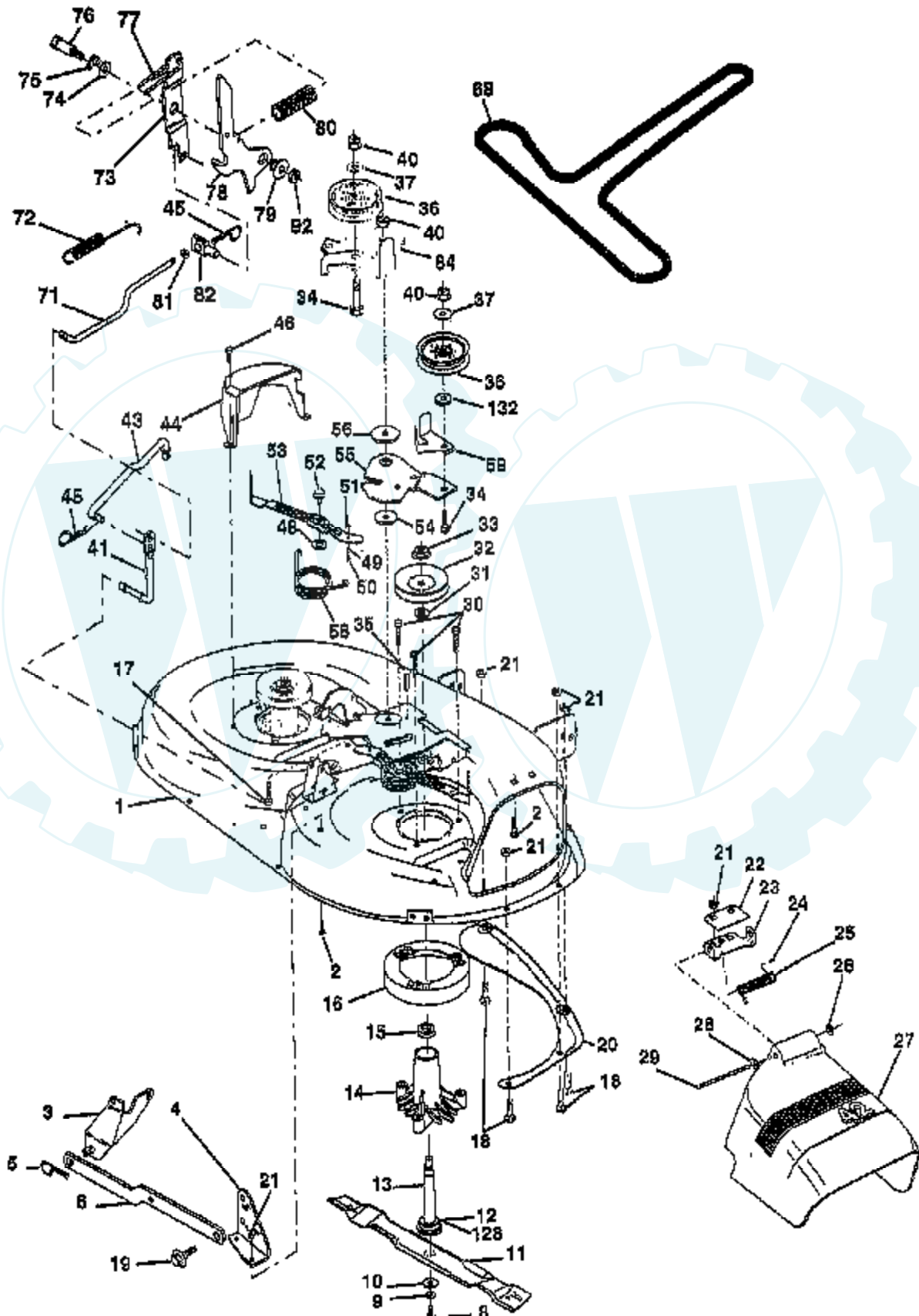
NOTE: All component dimensions given in U.S. inches
1 Inch = 25.4 mm

| Ref # | Part Number | Qty | Description |
|-------|-------------|-----|---------------------|
| 1 | 159461 | | WIRE.ASM.INNER.SP |
| 2 | 159476 | | "SHAFT AMS LIFT,RH" |
| 3 | 138284 | | PIN GROOVE |
| 4 | 12000002 | | SUB= 2225J |
| 5 | 19211621 | | WASHER |
| 6 | 120183X | | NYLON BEARING |
| 7 | 109413X | | GRIP |
| 8 | 124526X | | SUB= 125925X |
| 11 | 139865 | | SUB= 918139865 |
| 12 | 139866 | | SUB= 151140 |
| 13 | 4939M | | SUB= 85902 |
| 15 | 127218 | | LINK.FRONT |
| 16 | 73350800 | | NUT |
| 17 | 130171 | | TRUNION |
| 18 | 73800800 | | NUT.LK.W/WSH.1/2. |
| 19 | 139868 | | ARM SUSP REAR |
| 20 | 3146R | | RETAINER.SPRING |
| 31 | 140302 | | BEARING PVT LH |
| 32 | 73540600 | | NUT.CROWNLOCK.3/8 |



TRACTOR -- MODEL NUMBER R14542A

MOWER DECK



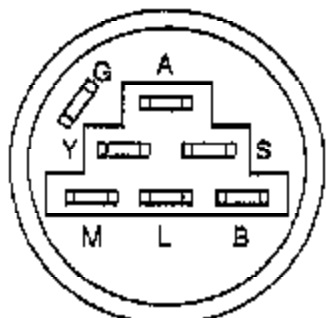
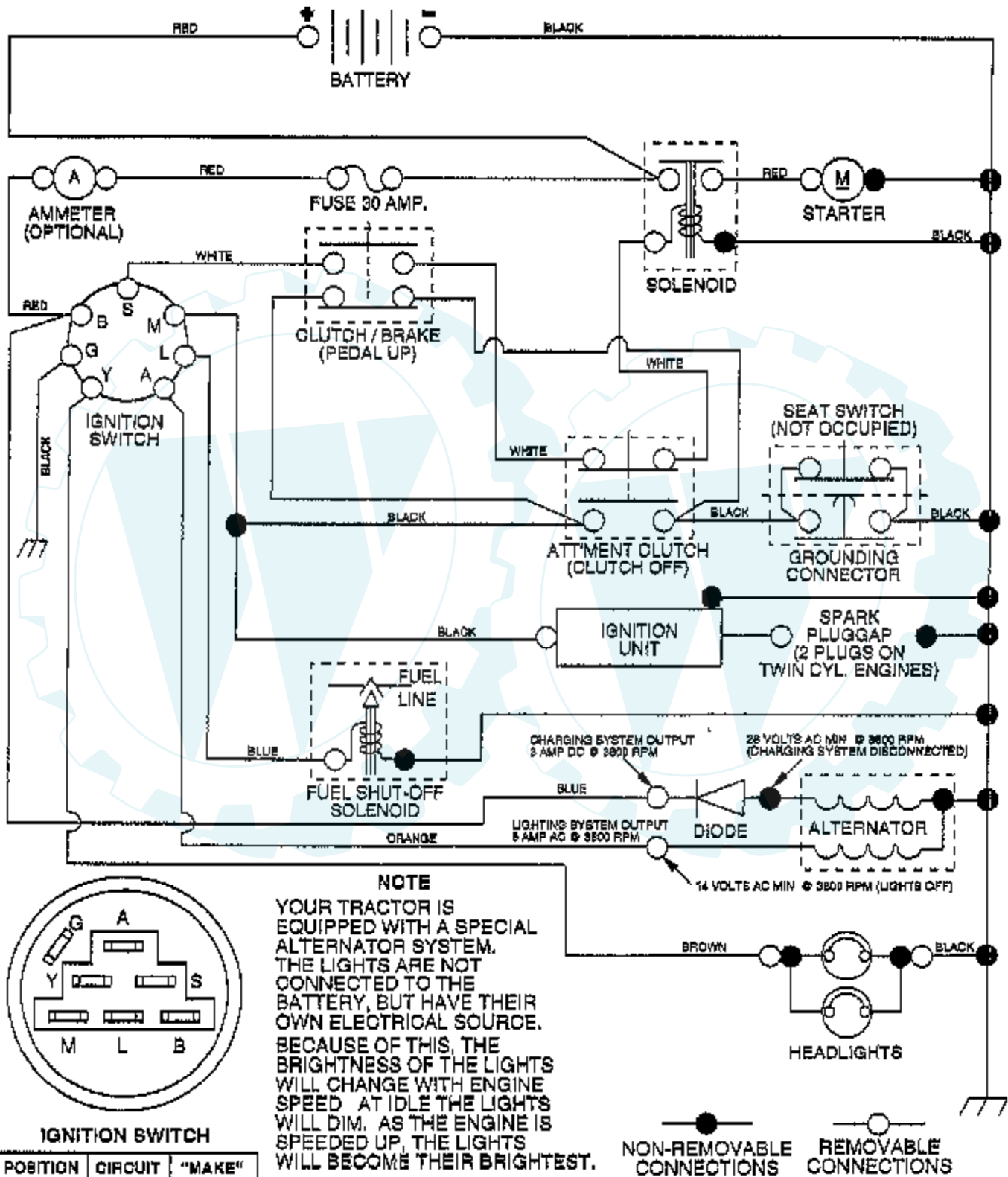
| Ref # | Part Number | Qty | Description |
|-------|-------------|-----|---------------------|
| 1 | 144393 | | DECK.WELD.42. |
| 2 | 72140506 | | BOLT |
| 3 | 138017 | | BRKT ASM SWAY BAR |
| 4 | 138440 | | BRKT DECK SW BAR |
| 5 | 4939M | | SUB= 85902 |
| 6 | 130832 | | SUB= 130833 |
| 8 | 850857 | | BLADE BOLT |
| 9 | 10030600 | | SUB= 10040600 |
| 10 | 140296 | | WASHER.HARD.BLADE |
| 11 | 138498 | | "BLADE.42"" HIPERF" |
| 12 | 129895 | | BEARING.BALL |
| 13 | 137645 | | SUB= 137646 |
| 14 | 128774 | | HSG ASM MANDREL |
| 15 | 110485X | | BEARING |
| 16 | 140329 | | STRIPPER RND MWR |
| 17 | 72110610 | | BOLT RDHD 3/8-16 |
| 18 | 72140505 | | BOLT |
| 19 | 132827 | | BOLT SHD 5/16-18 |
| 20 | 136888 | | SUB= 918136888 |
| 21 | 73680500 | | SUB= 73690500 |
| 22 | 134753 | | STIFFENER BRKT |
| 23 | 131267 | | DEFLECTOR BRKT |
| 24 | 105304X | | CAP-SLEEVE LT |
| 25 | 123713X | | SPRING TORSION |
| 26 | 110452X | | NUT PUSH M |
| 27 | 130968 | | DEFLECTOR.SHIELD |
| 28 | 19111016 | | WASHER |
| 29 | 131491 | | HINGE ROD |
| 30 | 138776 | | SUB= 157722 |
| 31 | 129963 | | WASHER |
| 32 | 153535 | | PULLEY.MANDREL.42 |
| 33 | 137266 | | SUB= 139729 |
| 34 | 72110614 | | BOLT |
| 35 | 133835 | | XMAS TREE FASTNER |
| 36 | 131494 | | FLAT IDLER PULLEY |
| 37 | 19131316 | | WASHER |
| 40 | 73680600 | | SUB= 73690600 |
| 41 | 133551 | | PIVOT ROD |
| 43 | 140083 | | ROD CLUTCH W/NIBS |
| 44 | 140088 | | GUARD MAND LH BLK |
| 45 | 4497H | | RETAINER M |
| 46 | 137729 | | SCREW.1/4-20X5/8 |
| 48 | 133944 | | HARD SMALL WASHER |
| 49 | 155066 | | ROLLER ASM-CAM |
| 50 | 131340 | | SHOULDER BOLT |
| 51 | 69180 | | LOCKNUT |
| 52 | 139888 | | BOLT.SHLD.5/16-18 |
| 53 | 131845X900 | | SUB= 131845 |
| 54 | 133943 | | HARDENED WASHER |
| 55 | 155046 | | ARM-IDLER |
| 56 | 122052X | | SPACER RETAINER |
| 58 | 140086 | | SPRING TORSN BRAK |
| 59 | 141043 | | GUARD IDLER TUV |
| 68 | 144959 | | BELT-V.SEC.46.KEL |
| 71 | 142427 | | ROD CLUTCH 38/42 |
| 72 | 146927 | | SPRING.EXT.RETURN |
| 73 | 127847 | | CLUTCH ARM SECOND |
| 74 | 121748X | | WASHER |

| Ref # | Part Number | Qty | Description |
|-------|-------------|-----|-------------------|
| 75 | 12000029 | | RING |
| 76 | 128903 | | SHOULDER BOLT |
| 77 | 127845 | | SPRING KEEPER |
| 78 | 154808 | | LEVER ASM CLUTCH |
| 79 | 127498 | | BUSHING |
| 80 | 153701 | | SPRING.CLUTCH.MWR |
| 81 | 73350600 | | NUT |
| 82 | 142028 | | TRUNION ADJ |
| 84 | 158824 | | BRACKET ASM IDLER |
| 92 | 73800600 | | NUT |
| 128 | 153390 | | WASHER.FELT. |
| 132 | 19132203 | | WASHER GT |
| | 130794 | | MANDREL ASM |
| | 159469 | | SUB= 144783 |



TRACTOR - - MODEL NUMBER R14542A

SCHEMATIC



IGNITION SWITCH

| POSITION | CIRCUIT | "MAKE" |
|----------|-----------|--------|
| OFF | G + M + L | NONE |
| RUNLIGHT | B + L | A + Y |
| RUN | B + L | NONE |
| START | B + L + S | NONE |

NOTE
YOUR TRACTOR IS EQUIPPED WITH A SPECIAL ALTERNATOR SYSTEM. THE LIGHTS ARE NOT CONNECTED TO THE BATTERY, BUT HAVE THEIR OWN ELECTRICAL SOURCE. BECAUSE OF THIS, THE BRIGHTNESS OF THE LIGHTS WILL CHANGE WITH ENGINE SPEED. AT IDLE THE LIGHTS WILL DIM. AS THE ENGINE IS SPEEDED UP, THE LIGHTS WILL BECOME THEIR BRIGHTEST.

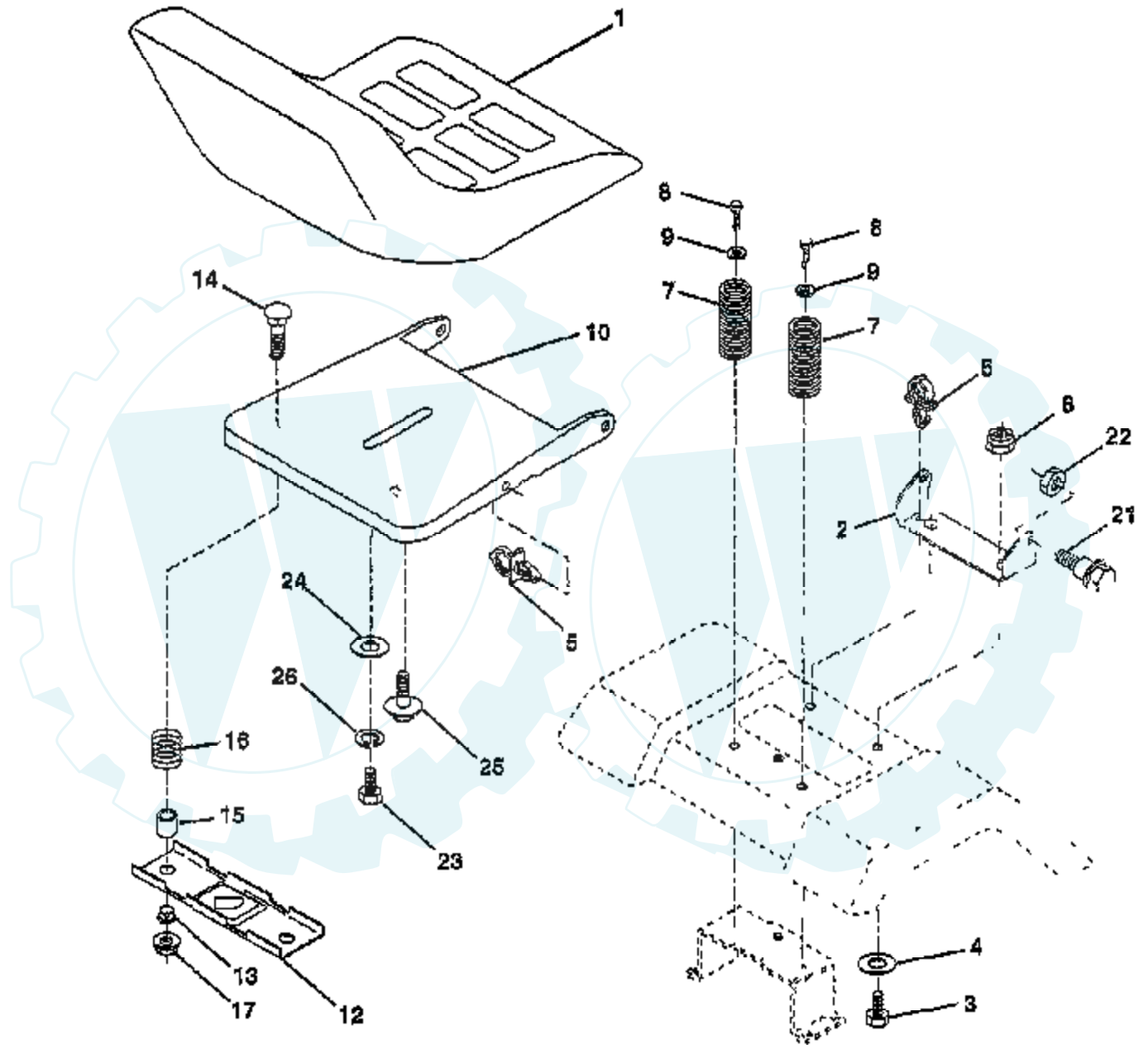
NON-REMOVABLE CONNECTIONS REMOVABLE CONNECTIONS

WIRING INSULATED CLIPS

NOTE: IF WIRING INSULATED CLIPS WERE REMOVED FOR SERVICING OF UNIT, THEY SHOULD BE REPLACED TO PROPERLY SECURE YOUR WIRING

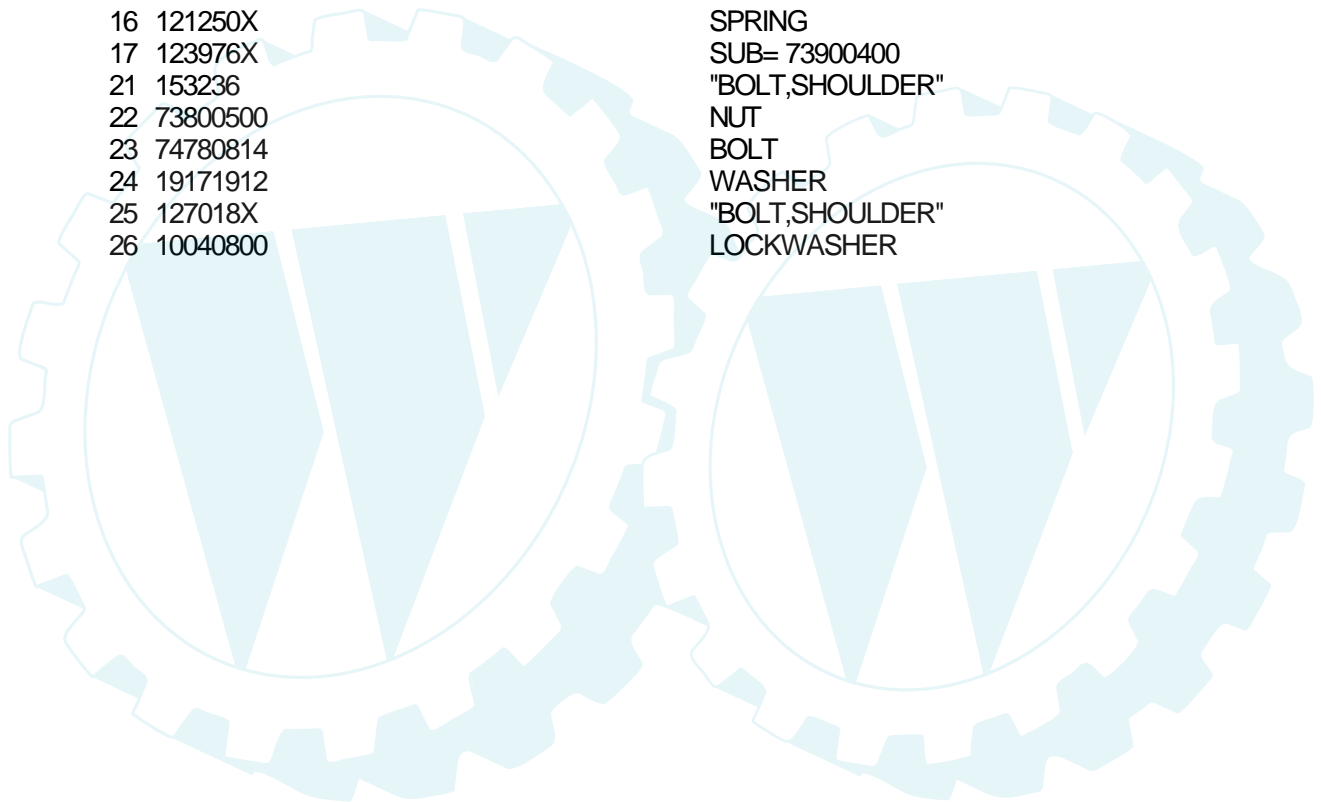
TRACTOR - - MODEL NUMBER R14542A

SEAT ASSEMBLY



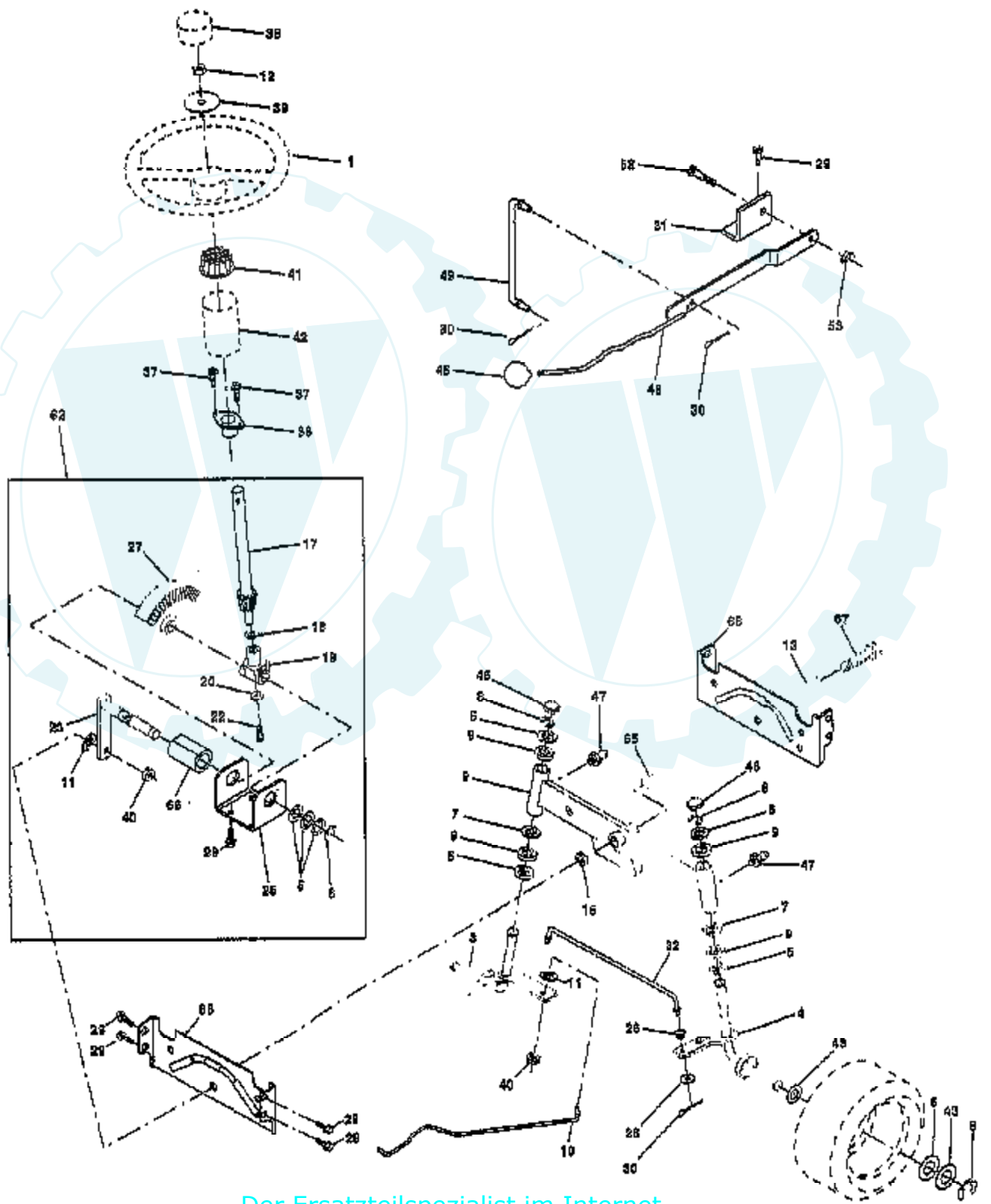
NOTE: All component dimensions given in U.S. inches
1 inch = 25.4 mm.

| Ref # | Part Number | Qty | Description |
|-------|-------------|-----|-------------------|
| 1 | 127427 | | SUB= 140119 |
| 2 | 140551 | | BRACKET PVT SEAT |
| 3 | 74760616 | | BOLT |
| 4 | 19131610 | | WASHER PM |
| 5 | 145006 | | CLIP.PUSH-IN.HING |
| 6 | 73800600 | | NUT |
| 7 | 124181X | | SPRING COMPRESSIO |
| 8 | 17490616 | | SCREW GTV |
| 9 | 19131614 | | WASHER |
| 10 | 155925 | | PAN-SEAT |
| 12 | 121246X | | BRKT SWITCH |
| 13 | 121248X | | BUSHING |
| 14 | 72050411 | | SUB= 872050411 |
| 15 | 134300 | | SPLIT SPACER |
| 16 | 121250X | | SPRING |
| 17 | 123976X | | SUB= 73900400 |
| 21 | 153236 | | "BOLT,SHOULDER" |
| 22 | 73800500 | | NUT |
| 23 | 74780814 | | BOLT |
| 24 | 19171912 | | WASHER |
| 25 | 127018X | | "BOLT,SHOULDER" |
| 26 | 10040800 | | LOCKWASHER |



TRACTOR - - MODEL NUMBER R14542A

STEERING ASSEMBLY

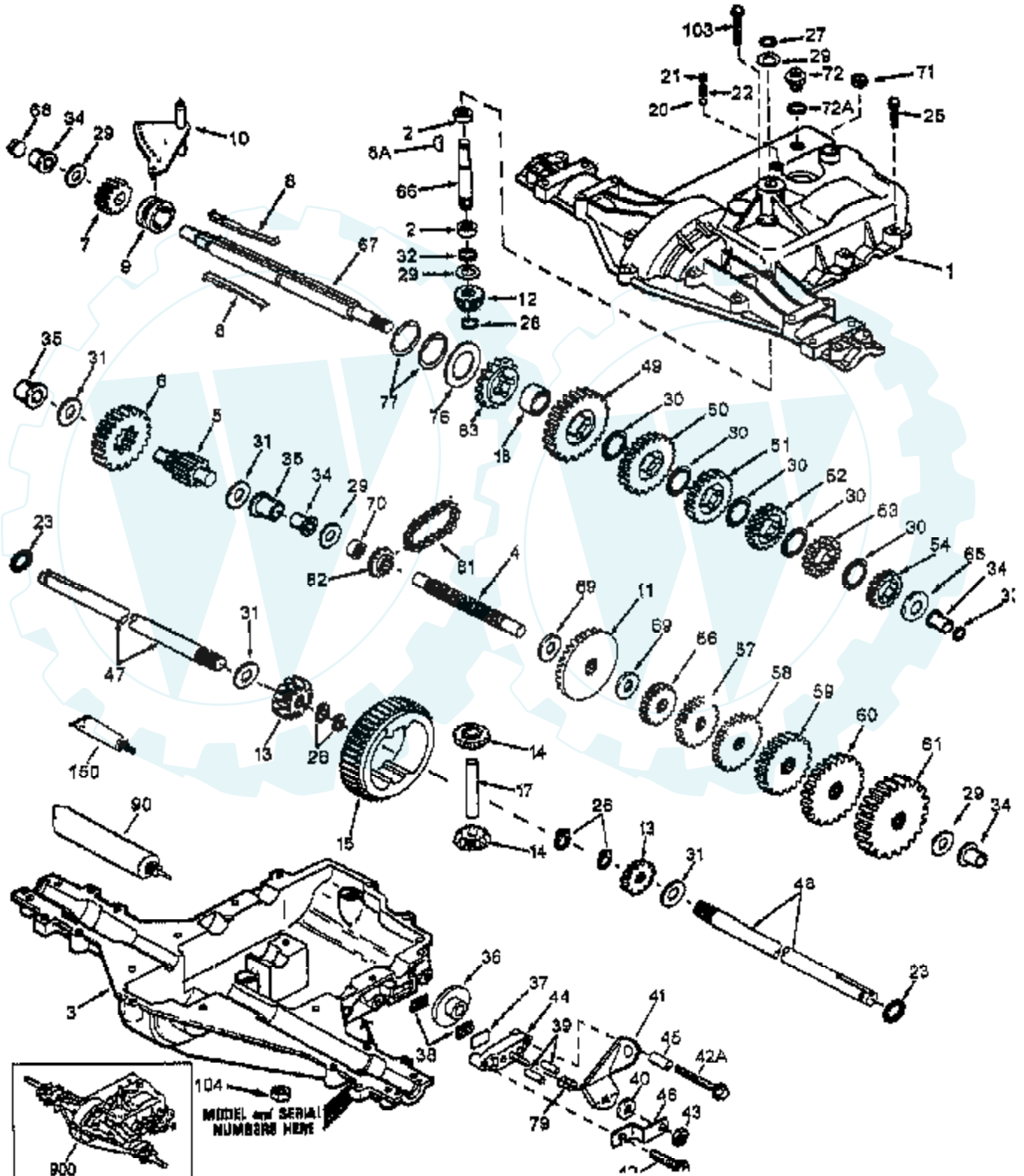


| Ref # | Part Number | Qty | Description |
|-------|-------------|-----|---------------------|
| 1 | 133741 | | SUB= 150547 |
| 2 | 154427 | | AXLE ASM |
| 3 | 156483 | | SPINDLE.ASM.LH |
| 4 | 157473 | | "SPINDLE ASM,RH" |
| 5 | 6266H | | WASHER .T |
| 6 | 121748X | | WASHER |
| 7 | 19272016 | | WASHER |
| 8 | 12000029 | | RING |
| 9 | 3366R | | COL. SRTG. BEAR. |
| 10 | 156438 | | DRAGLINK-STAMPED |
| 11 | 10040600 | | LOCKWASHER |
| 13 | 154779 | | BEARING AXLE |
| 12 | 73940800 | | SUB= 73360800 |
| 15 | 73901000 | | "NUT-LOC,FLANGE LT" |
| 17 | 156543 | | SHAFT ASM STEERNG |
| 18 | 57079 | | THRUST WASHER |
| 19 | 124035X | | SUPPORT.SHAFT |
| 20 | 126684X | | SUB= 532126684 |
| 22 | 71200410 | | SCREW HEX SOC1/4- |
| 23 | 127501 | | SUB= 918127501 |
| 25 | 154406 | | BRKT-STEERING |
| 26 | 126847X | | BUSHING.DRAGLINK |
| 27 | 136874 | | GEAR SECTOR |
| 28 | 19131416 | | WASHER |
| 29 | 17490612 | | SCREW |
| 30 | 76020412 | | COTTER PIN |
| 31 | 138171 | | BRKT.PVT.MAN.LVR. |
| 32 | 130465 | | TIE ROD |
| 36 | 145207 | | BUSHING.STRG.3/4 |
| 37 | 152927 | | "SCREW-TT,10-32 FL" |
| 38 | 133742 | | ST WHL INSERT CAP |
| 39 | 100712K | | WASHER |
| 40 | 7810H | | GRIPCO NUT |
| 41 | 100711L | | ADAPTER LT |
| 42 | 140216 | | BOOT SHAFT STEER |
| 43 | 121749X | | WASHER |
| 45 | 106933X | | KNOB T (1/2-HOLE) |
| 46 | 121232X | | CAP |
| 47 | 6855M | | ZERK M |
| 48 | 146841 | | LEVER.ASM.CLUTCH |
| 49 | 131291 | | LINK CLTCH W/NUTS |
| 52 | 106451X | | "BOLT, SHOULDER LT" |
| 53 | 73680600 | | SUB= 73690600 |
| 62 | 156595 | | KIT STEERING ASM |
| 65 | 154780 | | SPACER AXLE |
| 66 | 154404 | | "BEARING-ARM,PITMA" |
| 67 | 74781044 | | BOLT |
| 68 | 154429 | | BRACE AXLE |

TRACTOR - - MODEL NUMBER R14542A

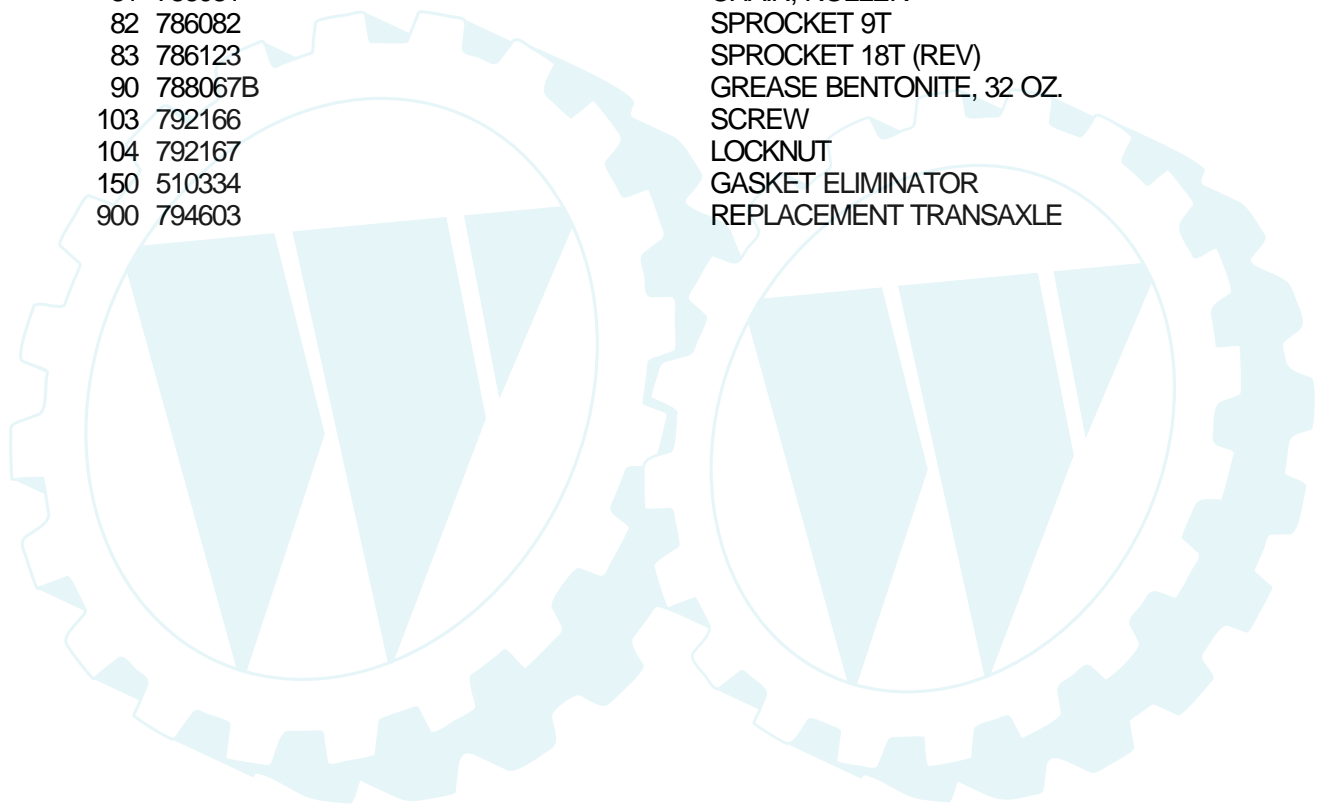
TRANSAXLE PEERLESS - MODEL NUMBER 930-055A

TRANSAXLE



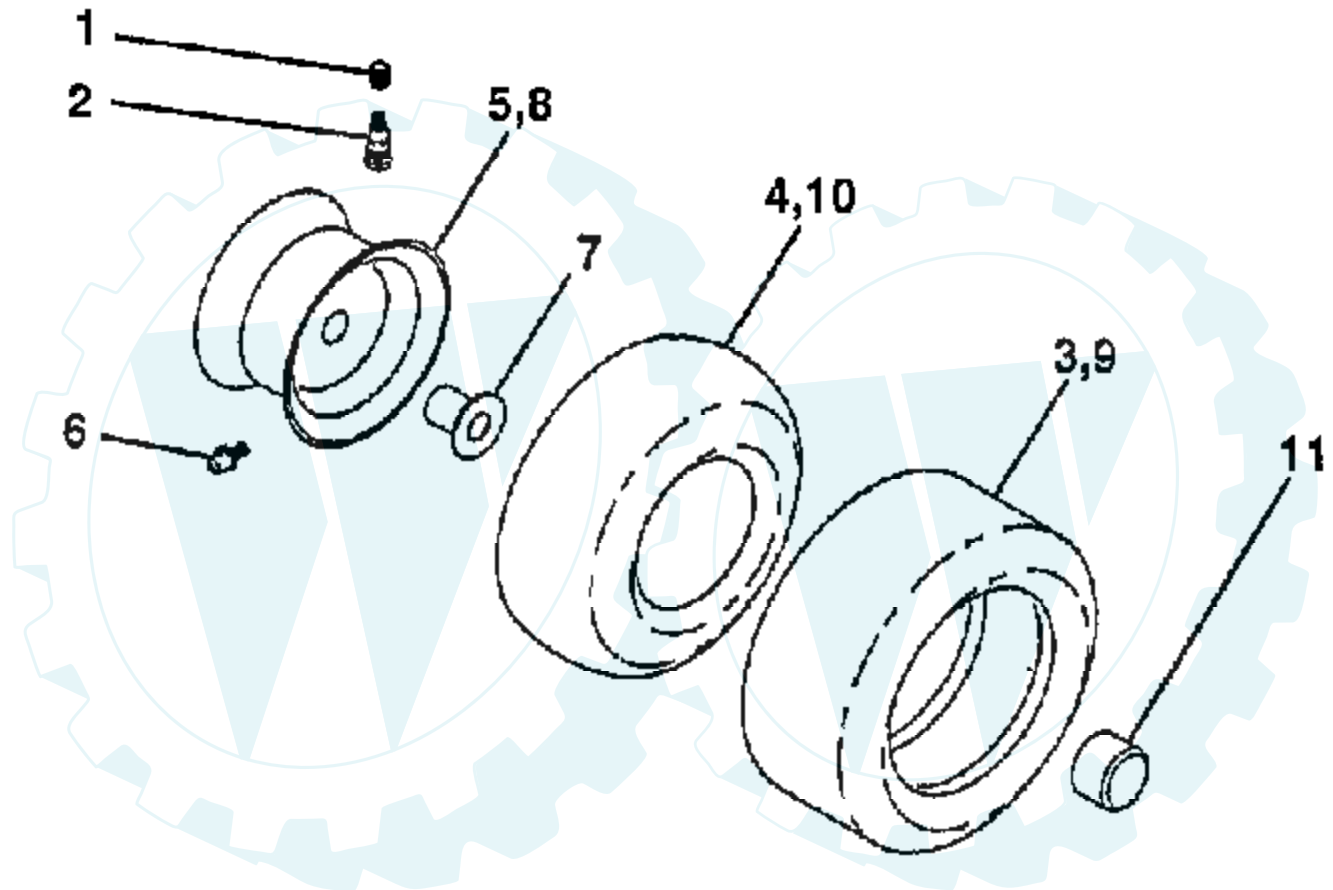
| Ref # | Part Number | Qty | Description |
|-------|-------------|-----|-------------------------|
| 1 | 772108A | | TRANSAXLE COVER |
| 2 | 780086 | | BEARING, NEEDLE |
| 3 | 770102A | | TRANSAXLE CASE |
| 4 | 776260 | | SHAFT, COUNTER |
| 5 | 776219B | | OUTPUT SHAFT AND PINION |
| 6 | 778139 | | GEAR, OUTPUT |
| 7 | 778136 | | GEAR, SPUR, 15 TEETH |
| 8 | 792136A | | SHIFT KEY |
| 8A | 792047 | | KEY, WOODRUFF |
| 9 | 784352 | | COLLAR, SHIFTER |
| 10 | 784355 | | ROD & FORK ASSY, SHIFT |
| 11 | 778229 | | GEAR, BEVEL, 42 TEETH |
| 12 | 778113A | | BEVEL PINION, INPUT |
| 13 | 778221 | | GEAR, BEVEL |
| 14 | 778068 | | GEAR, BEVEL, PINION |
| 15 | 778260 | | GEAR, RING |
| 17 | 786139 | | PIN, DRIVE |
| 17 | 786102 | | SPACER, NEUTRAL |
| 20 | 792077 | | BALL STEEL, 5/16" DIA. |
| 21 | 792078 | | SCREW, 3/8-16 X 3/8" |
| 22 | 792079 | | SPRING |
| 23 | 788061 | | RING, SEAL |
| 25 | 792073 | | SCREW, 1/4-20 X 1-1/4 |
| 26 | 792125 | | RING RETAINER |
| 27 | 792035 | | RING, RETAINER |
| 28 | 788040 | | RETAINING RING |
| 29 | 780072 | | WASHER THRUST |
| 30 | 780108 | | WASHER THRUST |
| 31 | 780001 | | WASHER |
| 32 | 792001 | | "O" RING |
| 33 | 788095 | | SEAL, SQUARE CUT |
| 34 | 780105A | | BUSHING, FLANGED |
| 35 | 780118A | | BUSHING, FLANGED |
| 36 | 790003 | | DISK, BRAKE |
| 37 | 790007 | | PLATE BRAKE PAD |
| 38 | 799021 | | BRAKE PAD |
| 39 | 786026 | | PIN DOWEL |
| 40 | 792076A | | WASHER |
| 41 | 790079 | | BRAKE LEVER |
| 42 | 792073 | | SCREW, 1/4-20 X 1-1/4 |
| 42A | 792085A | | SCREW, 1/4-20 X 2-1/4 |
| 43 | 792075 | | LOCKNUT 5/16-24 |
| 44 | 790025 | | HOLDER BRAKE PAD |
| 45 | 786066 | | SPACER |
| 46 | 786086 | | BRKT BRAKE LEVER |
| 47 | 774690 | | AXLE |
| 48 | 774691 | | AXLE |
| 49 | 778215 | | GEAR, SPUR, 37 TEETH |
| 50 | 778125 | | GEAR, SPUR, 35 TEETH |
| 51 | 778124A | | GEAR, SPUR, 30 TEETH |
| 52 | 778123A | | GEAR, SPUR, 25 TEETH |
| 53 | 778122A | | GEAR, SPUR, 22 TEETH |
| 54 | 778273 | | GEAR, SPUR, 19T |
| 56 | 778230 | | GEAR, SPUR, 12 TEETH |
| 57 | 778151 | | GEAR, SPUR, 15 TEETH |
| 58 | 778126A | | GEAR, SPUR, 20 TEETH |
| 59 | 778127A | | GEAR, SPUR, 25 TEETH |
| 60 | 778128A | | GEAR, SPUR, 28 TEETH |

| Ref # | Part Number | Qty | Description |
|-------|-------------|-----|--------------------------|
| 61 | 778163 | | GEAR, SPUR, 31 TEETH |
| 65 | 780109 | | WASHER, THRUST |
| 66 | 776135 | | SHAFT, INPUT |
| 67 | 776315A | | SHAFT, BRAKE, 4 KEYED |
| 68 | 786116A | | PLUG |
| 69 | 780051 | | WASHER THRUST |
| 70 | 786118 | | SPACER |
| 71 | 788069 | | SEAL SQUARE CUT |
| 72 | 792165 | | THREADED PLUG 9/16-18 |
| 72A | 788091 | | "O" RING |
| 76 | 780090 | | WASHER, THRUST |
| 77 | 788078A | | INVERTED RETAINING RING |
| 79 | 792144 | | SPRING |
| 81 | 786081 | | CHAIN, ROLLER |
| 82 | 786082 | | SPROCKET 9T |
| 83 | 786123 | | SPROCKET 18T (REV) |
| 90 | 788067B | | GREASE BENTONITE, 32 OZ. |
| 103 | 792166 | | SCREW |
| 104 | 792167 | | LOCKNUT |
| 150 | 510334 | | GASKET ELIMINATOR |
| 900 | 794603 | | REPLACEMENT TRANSAXLE |



TRACTOR - - MODEL NUMBER R14542A

WHEELS & TIRES



NOTE: All component dimensions given in U.S. inches
1 inch = 25.4 mm

| Ref # | Part Number | Qty | Description |
|-------|-------------|-----|--------------------------|
| 1 | 59192 | | VALVE CAP |
| 2 | 65139 | | VALVE STEM LT |
| 3 | 106222X | | SUB= 122073X |
| 4 | 59904 | | TUBE.5.3/4.5/6 |
| 5 | 106732X427 | | "RIM ASM 6"" FRT" |
| 6 | 278H | | FITTING LT |
| 7 | 9040H | | "FLANGE, BEARING" |
| 8 | 106108X427 | | "RIM AS 8"" REAR" |
| 9 | 124635X | | SUB= 126957X |
| 10 | 7152J | | TUBE.18X9.5-8 |
| 11 | 104757X | | HUB CAP |
| | 144334 | | SEALANT.TIRE 10 OZ. TUBE |

