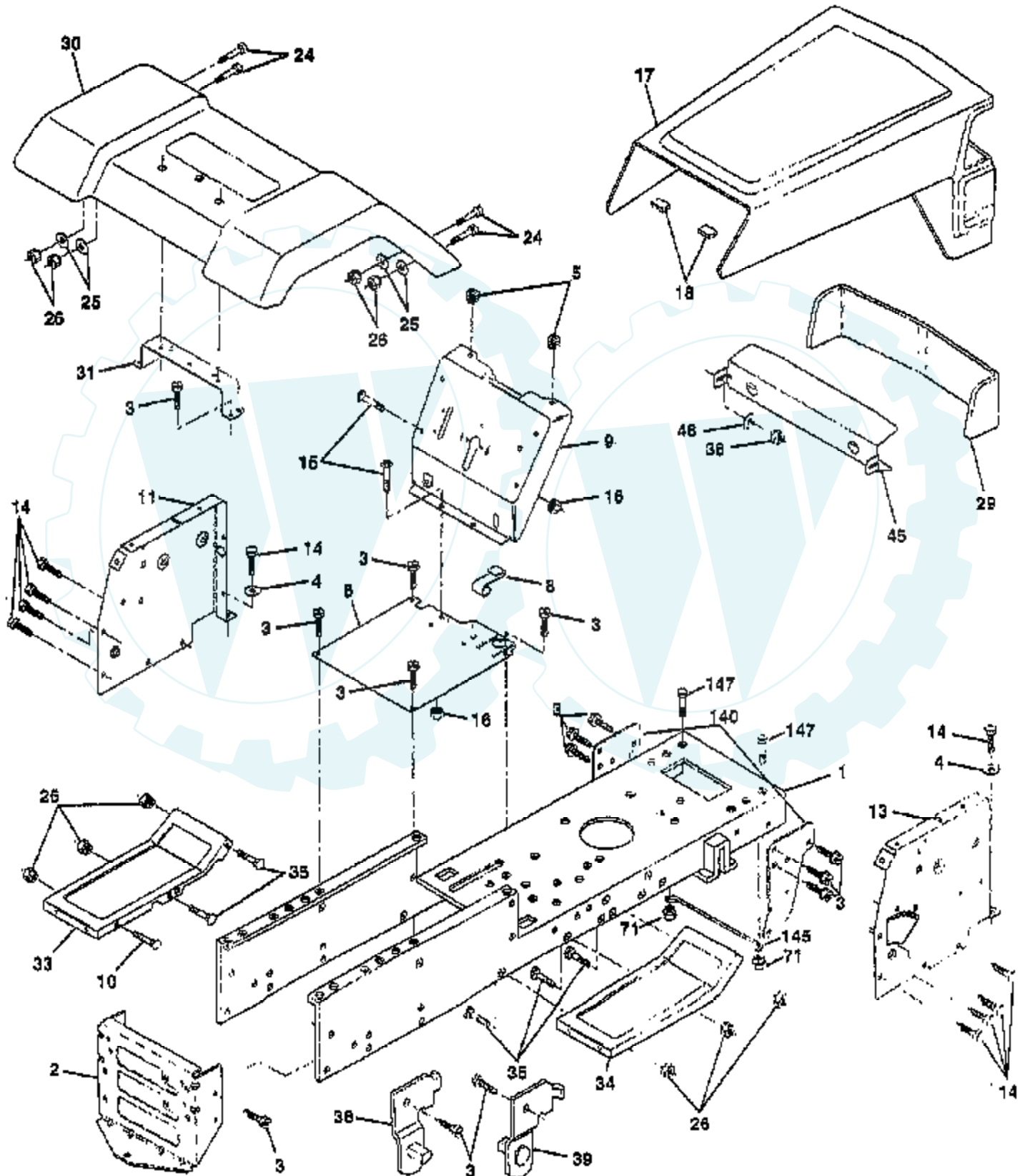


# TRACTOR -- MODEL NUMBER R1238A

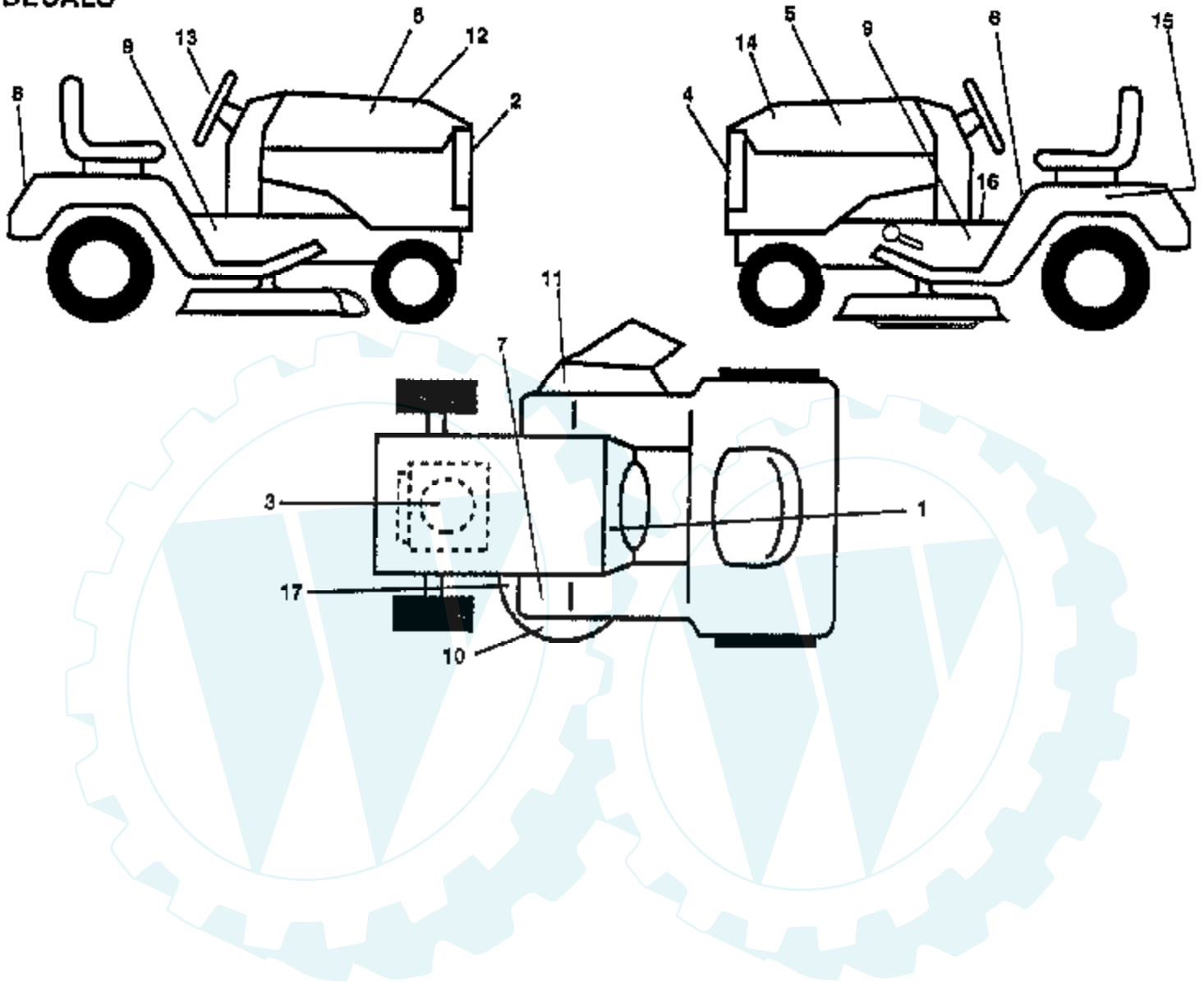
## CHASSIS



| Ref # | Part Number | Qty | Description         |
|-------|-------------|-----|---------------------|
| 1     | 159530      |     | CHASSIS ASM         |
| 2     | 140356      |     | SUB= 145009         |
| 3     | 17490612    |     | SCREW               |
| 4     | 19131216    |     | WASHER              |
| 5     | 155272      |     | BUMPER-HOOD/DASH    |
| 6     | 155924X010  |     | "SADDLE FLAT,SLKSC" |
| 8     | 155138      |     | CLIP.RETAINER       |
| 9     | 156272X010  |     | DASH SILKSCR        |
| 10    | 72140608    |     | SUB= 72110608       |
| 11    | 155927      |     | "PANEL-DASH,LH"     |
| 13    | 155934X010  |     | SUB= 169117X010     |
| 14    | 17490608    |     | SCREW LT            |
| 15    | 74180512    |     | SCREW               |
| 16    | 73510500    |     | NUT                 |
| 17    | 133956X505  |     | HOOD/GRILL ASM      |
| 18    | 126938X     |     | SUB= 532126938      |
| 24    | 74780616    |     | BOLT                |
| 25    | 19131312    |     | WASHER              |
| 26    | 73800600    |     | NUT                 |
| 29    | 133954      |     | LENS SERVICE KIT    |
| 30    | 109872X505  |     | FENDER              |
| 31    | 136619      |     | BRKT FENDER         |
| 33    | 105476X505  |     | FOOTREST LH         |
| 34    | 105475X505  |     | FOOTREST RH         |
| 35    | 72110606    |     | BOLT                |
| 36    | 108067X     |     | PAL NUT LT          |
| 38    | 139886      |     | BRACKET ASM LH      |
| 39    | 139887      |     | BRACKET ASM RH      |
| 45    | 132257      |     | SUB= 918132257      |
| 46    | 127316X     |     | RETAINER            |
| 71    | 73680400    |     | SUB= 73690400       |
| 140   | 158418      |     | BRKT SUSPENSION     |
| 145   | 156524      |     | "ROD POVOT,CHASSIS" |
| 147   | 74760412    |     | BOLT LT             |
|       | 5479J       |     | PLUG BUTTON T       |

### TRACTOR - - MODEL NUMBER R1238A

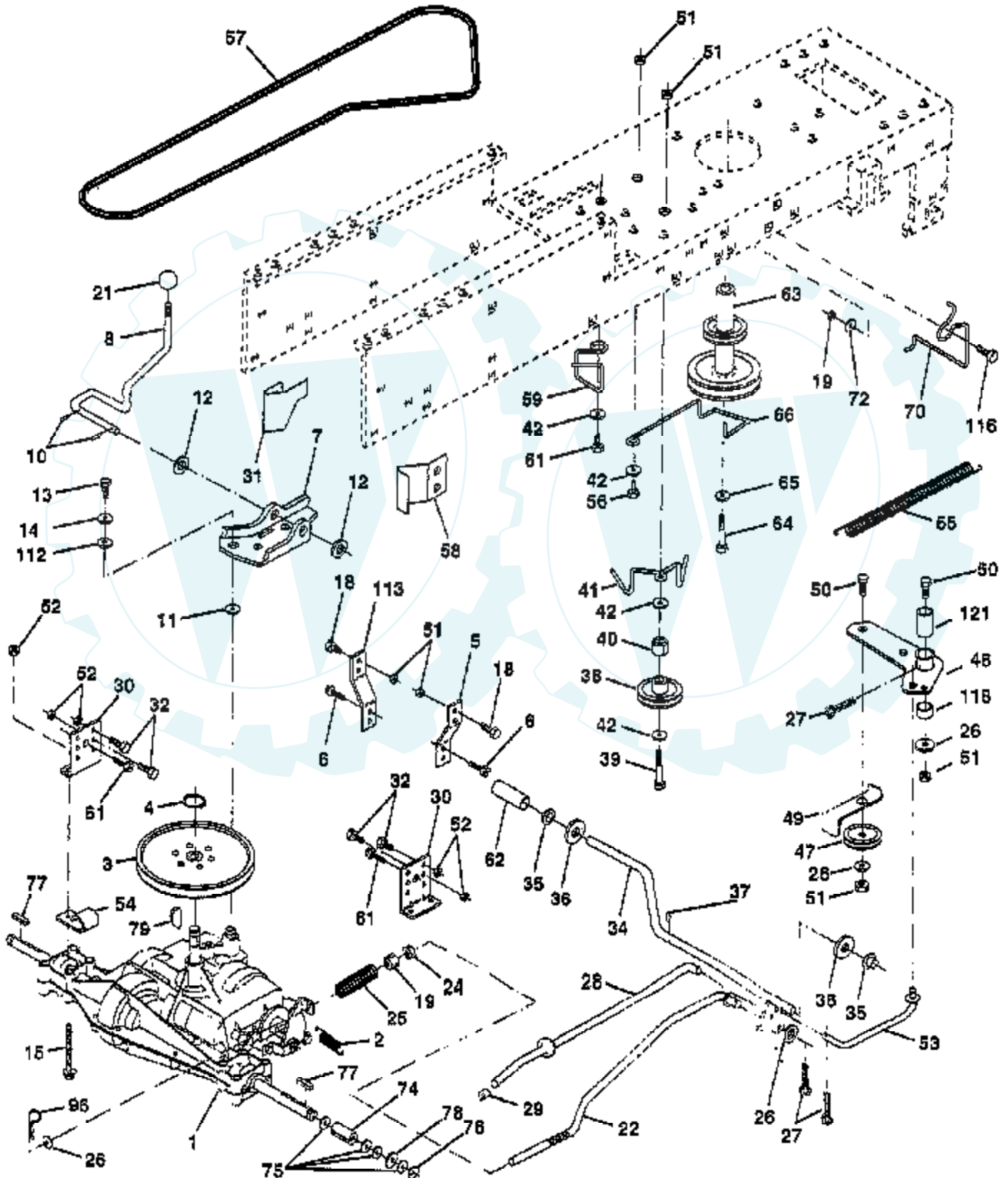
#### DECALS



| Ref # | Part Number | Qty | Description         |
|-------|-------------|-----|---------------------|
| 1     | 157106      |     | DECAL.INSTR.FRENC   |
| 2     | 132627      |     | GRILL DECAL         |
| 3     | 272440      |     | DECAL, HP ENGINE    |
| 4     | 129823      |     | NLA                 |
| 5     | 157822      |     | "DECAL INSERT,HOOD" |
| 6     | 157140      |     | DECAL.CAUT.ENG/FR   |
| 7     | 101892X     |     | DECAL T             |
| 8     | 132628      |     | FENDER DECAL        |
| 9     | 144465      |     | "DECAL.CHASSIS.38"" |
| 10    | 135013      |     | NLA                 |
| 11    | 137259      |     | "DECAL, WARNING"    |
| 12    | 141745      |     | DECAL HOOD RH RLY   |
| 13    | 127075      |     | "DECAL,STR WHL"     |
| 14    | 141746      |     | DECAL HOOD LH RLY   |
| 15    | 145005      |     | DECAL.BATRY.3-3908  |
| 16    | 140837      |     | DECAL BRAK PARK     |
| 17    | 136832      |     | DECAL               |
|       | 138311      |     | DECAL HANDLE LIFT   |
|       | 158122      |     | MANUAL.O.CT12T38A   |
|       | 159421      |     | MANUAL.P.R1238A     |
|       | LSB42       |     | SNOW THROWER        |
|       | LBD48       |     | SNOW BLADE          |
|       | LC05        |     | WHEEL WTS.          |
|       | CH12        |     | TIRE CHAINS         |
|       | MK380       |     | KIT.MULCHER         |
|       | C38         |     | GRASS CATCHER       |

# TRACTOR - - MODEL NUMBER R1238A

## DRIVE



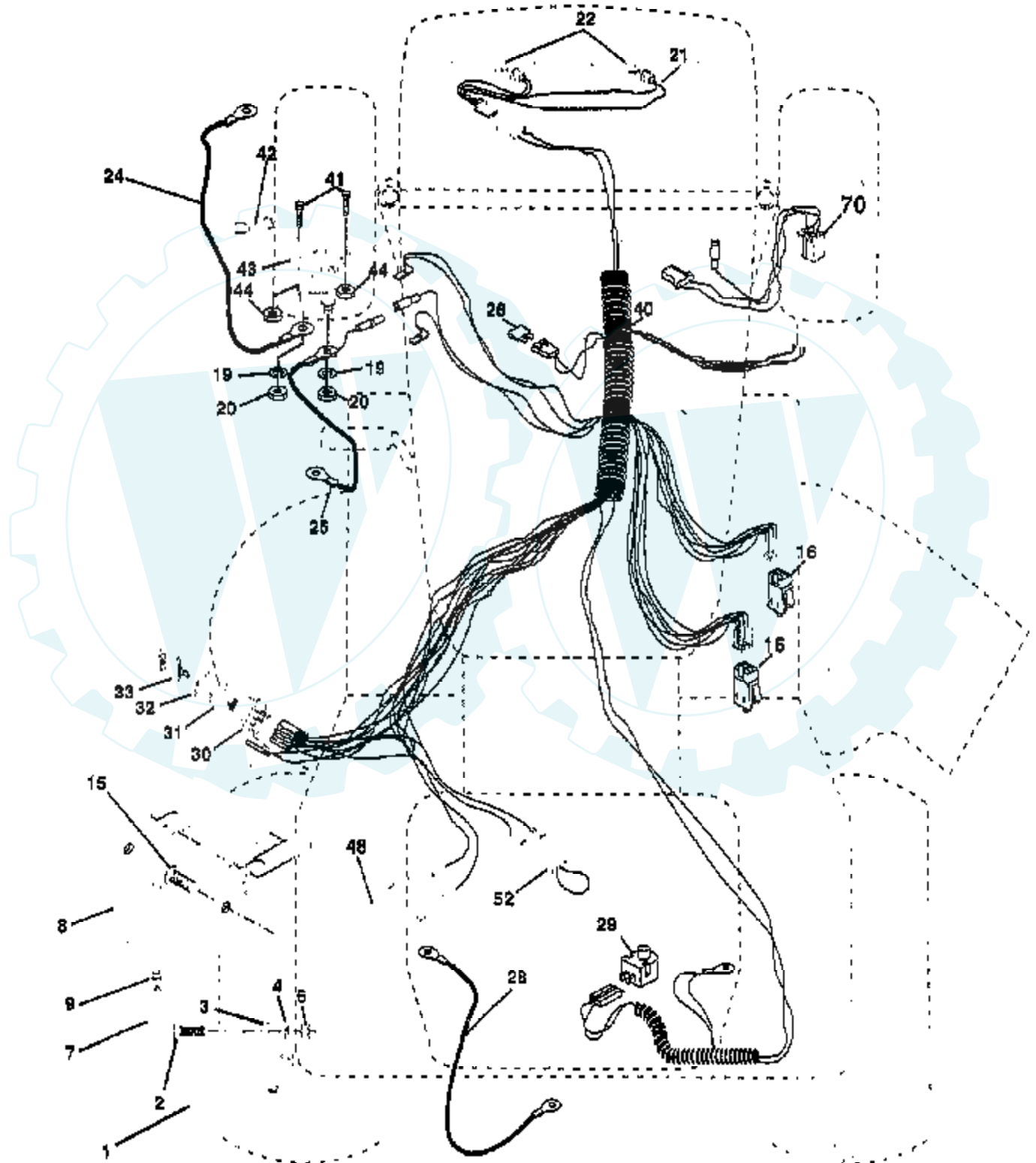
| Ref # | Part Number | Qty | Description         |
|-------|-------------|-----|---------------------|
| 1     | 145598      |     | TRANSAXLE PEERLESS  |
| 2     | 146682      |     | SPRING.BRAKE.RETU   |
| 3     | 123666X     |     | PULLEY TRANS        |
| 4     | 12000028    |     | SUB= 2267J          |
| 5     | 121520X     |     | STRAP TORQUE        |
| 6     | 17490512    |     | SCREW               |
| 7     | 130802      |     | SUB= 162240         |
| 8     | 131679      |     | SHIFT ROD           |
| 10    | 76020416    |     | PIN COTTER 1/8      |
| 11    | 105701X     |     | WASH-SHFT PLT LT    |
| 12    | 19151216    |     | WASHER              |
| 13    | 74550412    |     | BOLT.1/4-28.W/PAT   |
| 14    | 10040400    |     | LOCKWASHER          |
| 15    | 74490544    |     | BOLT.HX.FLG.5/16    |
| 18    | 74780616    |     | BOLT                |
| 19    | 73800600    |     | NUT                 |
| 21    | 106933X     |     | KNOB T (1/2-HOLE)   |
| 22    | 130804      |     | BRAKE ROD           |
| 24    | 73350600    |     | NUT                 |
| 25    | 106888X     |     | SPRING ROD LT       |
| 26    | 19131316    |     | WASHER              |
| 27    | 76020412    |     | COTTER PIN          |
| 28    | 145204      |     | ROD.BRAKE.PARK.LT   |
| 29    | 71673       |     | PLUNGER CAP T       |
| 30    | 130807      |     | TRANSAXLE MTG BKT   |
| 31    | 127275X     |     | "KEEPER,BELT LH T"  |
| 32    | 74760512    |     | BOLT                |
| 34    | 155071      |     | SHAFT ASM-PEDAL F   |
| 35    | 120183X     |     | NYLON BEARING       |
| 36    | 19211616    |     | WASHER LT           |
| 37    | 1572H       |     | SUB= 2882J          |
| 38    | 123674X     |     | PULLEY.IDLER.FLAT   |
| 39    | 74760644    |     | BOLT                |
| 40    | 4470J       |     | SPACER T            |
| 41    | 154777      |     | SUB= 165692         |
| 42    | 19131312    |     | WASHER              |
| 47    | 127783      |     | SUB= 139245         |
| 48    | 154604      |     | BELLCRANK ASM       |
| 49    | 123205X     |     | RETAIN BELT         |
| 50    | 74760624    |     | SUB= 74930624       |
| 51    | 73680600    |     | SUB= 73690600       |
| 52    | 73680500    |     | SUB= 73690500       |
| 53    | 105710X     |     | "LINK, CLUTCH T"    |
| 54    | 2751R       |     | CLIP T              |
| 55    | 105709X     |     | "SPRING, RETURN LT" |
| 56    | 74760620    |     | SUB= 74780620       |
| 57    | 130801      |     | SUB= 138255         |
| 58    | 127274X     |     | "KEEPER,BELT RH T"  |
| 59    | 140312      |     | KEEPER BELT CNTSP   |
| 61    | 17490612    |     | SCREW               |
| 62    | 8883R       |     | PEDAL COVER T       |
| 63    | 140186      |     | PULLEY.ENGINE       |
| 64    | 71170764    |     | BOLT                |
| 65    | 10040700    |     | LOCKWASHER          |
| 66    | 154778      |     | KEEPER-BELT         |
| 70    | 134683      |     | KEEPER BELT ENG     |
| 72    | 19132012    |     | WASHER              |
| 74    | 137057      |     | SPACER AXLE         |

| Ref # | Part Number | Qty | Description       |
|-------|-------------|-----|-------------------|
| 75    | 121749X     |     | WASHER            |
| 76    | 12000001    |     | E-RING LT         |
| 77    | 123583X     |     | SQUARE KEY        |
| 78    | 121748X     |     | WASHER            |
| 79    | 2228M       |     | SUB= 2228M1       |
| 96    | 4497H       |     | RETAINER M        |
| 112   | 19091210    |     | WASHER LT         |
| 113   | 127285X     |     | "STRAP,TORQUE"    |
| 116   | 72110610    |     | BOLT RDHD 3/8-16  |
| 118   | 154774      |     | SPACER-BELLCRANK  |
| 121   | 154419      |     | NYLINER-CLUTCHING |



# TRACTOR -- MODEL NUMBER R1238A

## ELECTRICAL

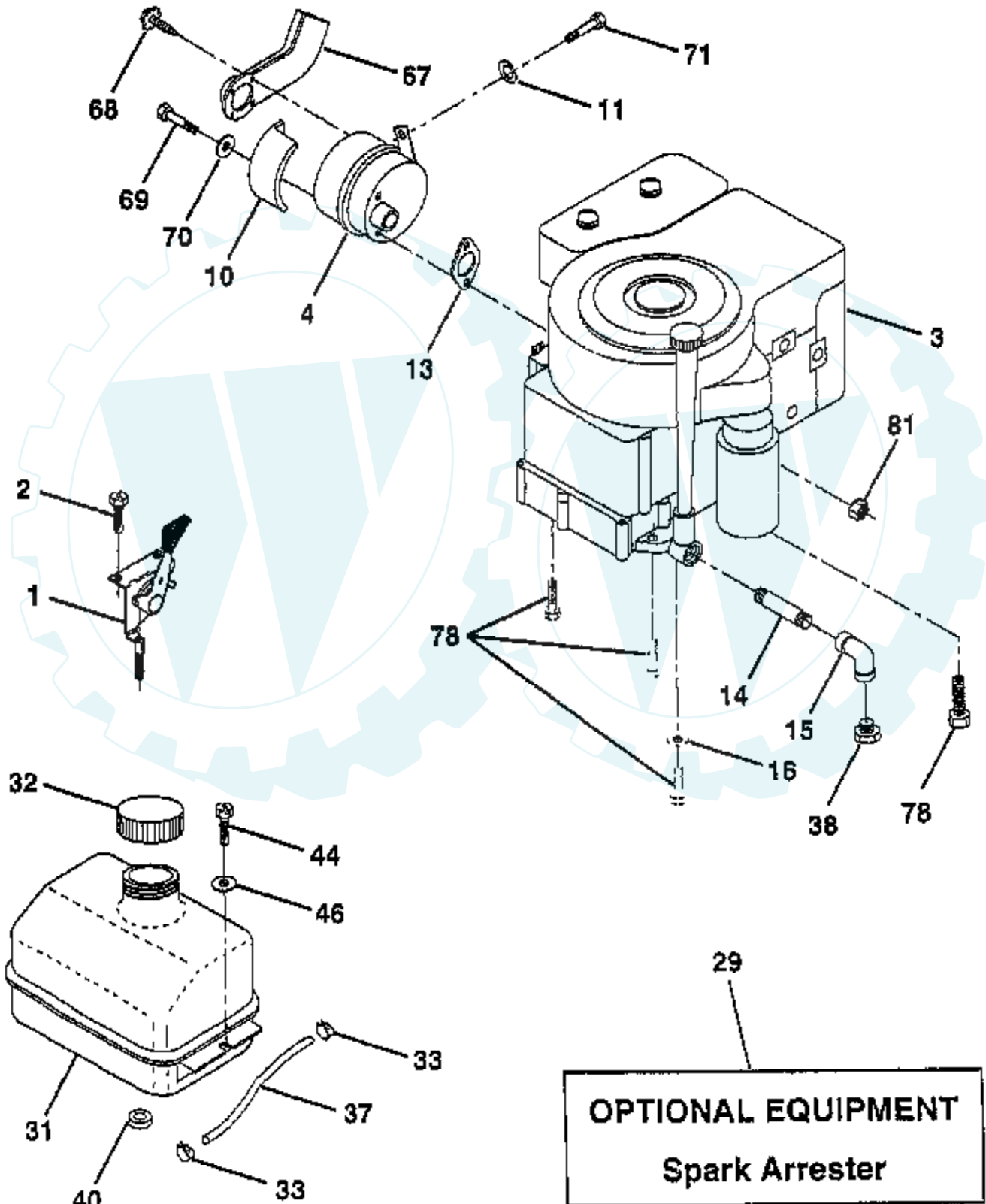




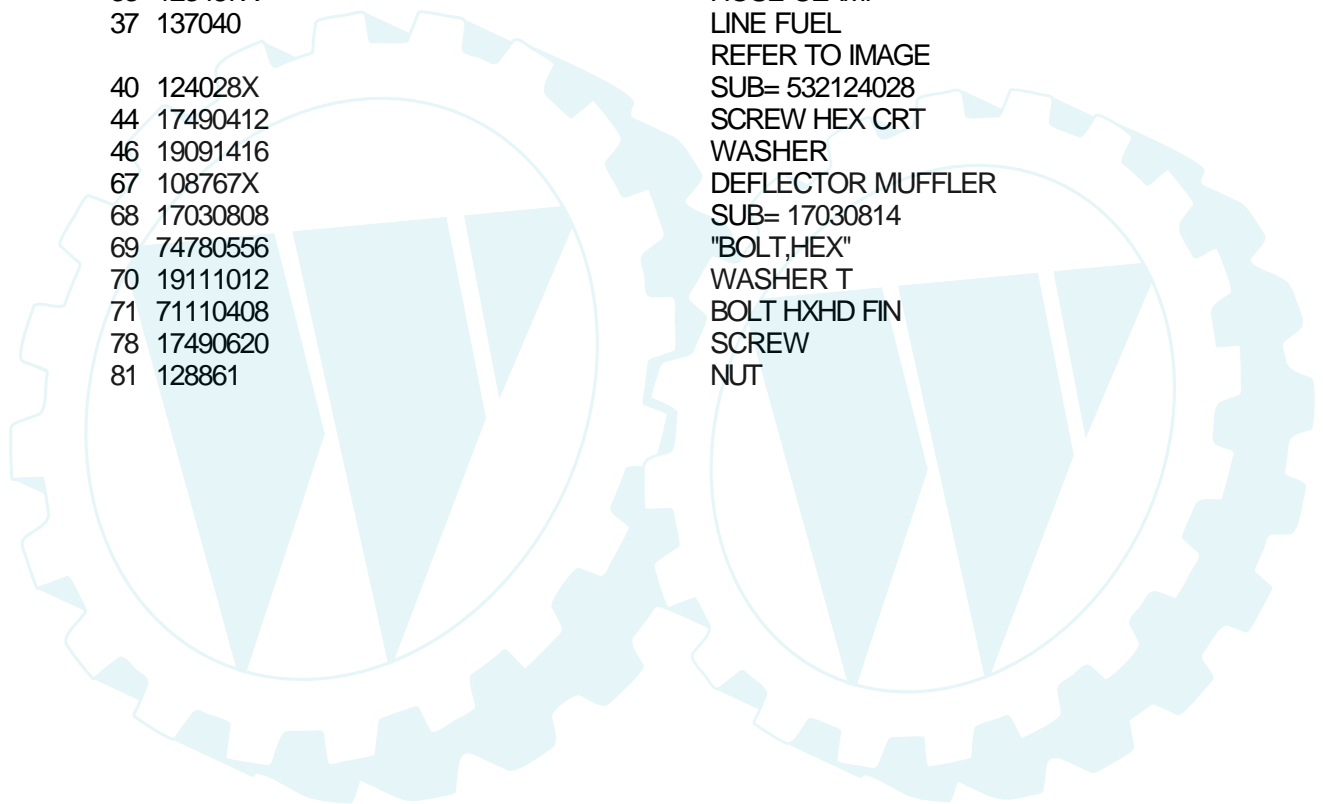
| Ref # | Part Number | Qty | Description         |
|-------|-------------|-----|---------------------|
| 1     | 144925      |     | SUB= 123899X        |
| 2     | 74760412    |     | BOLT LT             |
| 3     | 19091016    |     | WASHER              |
| 4     | 10040400    |     | LOCKWASHER          |
| 6     | 73220400    |     | SUB= 50675          |
| 7     | 109238X     |     | TUBE T              |
| 8     | 156417      |     | "CASE,BATTERY.MECH" |
| 9     | 109596X     |     | HOSE CLAMP T        |
| 15    | 147688      |     | FASTNER.SNAP-IN     |
| 16    | 153664      |     | SWITCH INTERLOCK    |
| 19    | 10090400    |     | SUB= 10040400       |
| 20    | 73350400    |     | NUT                 |
| 21    | 136850      |     | "HARNES,LIGHT SOC"  |
| 22    | 4152J       |     | HEADLAMP BULB       |
| 24    | 4799J       |     | "CABLE T, BATTERY"  |
| 25    | 146147      |     | CABLE.BTRY.6GA.RD   |
| 26    | 108824X     |     | FUSE HYT            |
| 28    | 4207J       |     | CABLE T             |
| 29    | 121305X     |     | SWITCH SEAT         |
| 30    | 140301      |     | SWITCH IGN 4POS     |
| 31    | 124211X     |     | NUT IGNITION        |
| 32    | 141226      |     | COVER KEY SWITCH    |
| 33    | 122147X     |     | KEY                 |
| 40    | 156442      |     | HARNES-IGNITION     |
| 41    | 71110408    |     | BOLT HXHD FIN       |
| 42    | 131563      |     | SUB= 154336         |
| 43    | 145673      |     | SUB= 146154         |
| 44    | 73640400    |     | NUT HXKEP 1/4X20    |
| 48    | 140844      |     | ADAPTER AMMETER     |
| 52    | 141940      |     | PROTECTION LOOP     |
| 70    | 140413      |     | HARNES ENG DUAL     |

### TRACTOR - - MODEL NUMBER R1238A

#### ENGINE

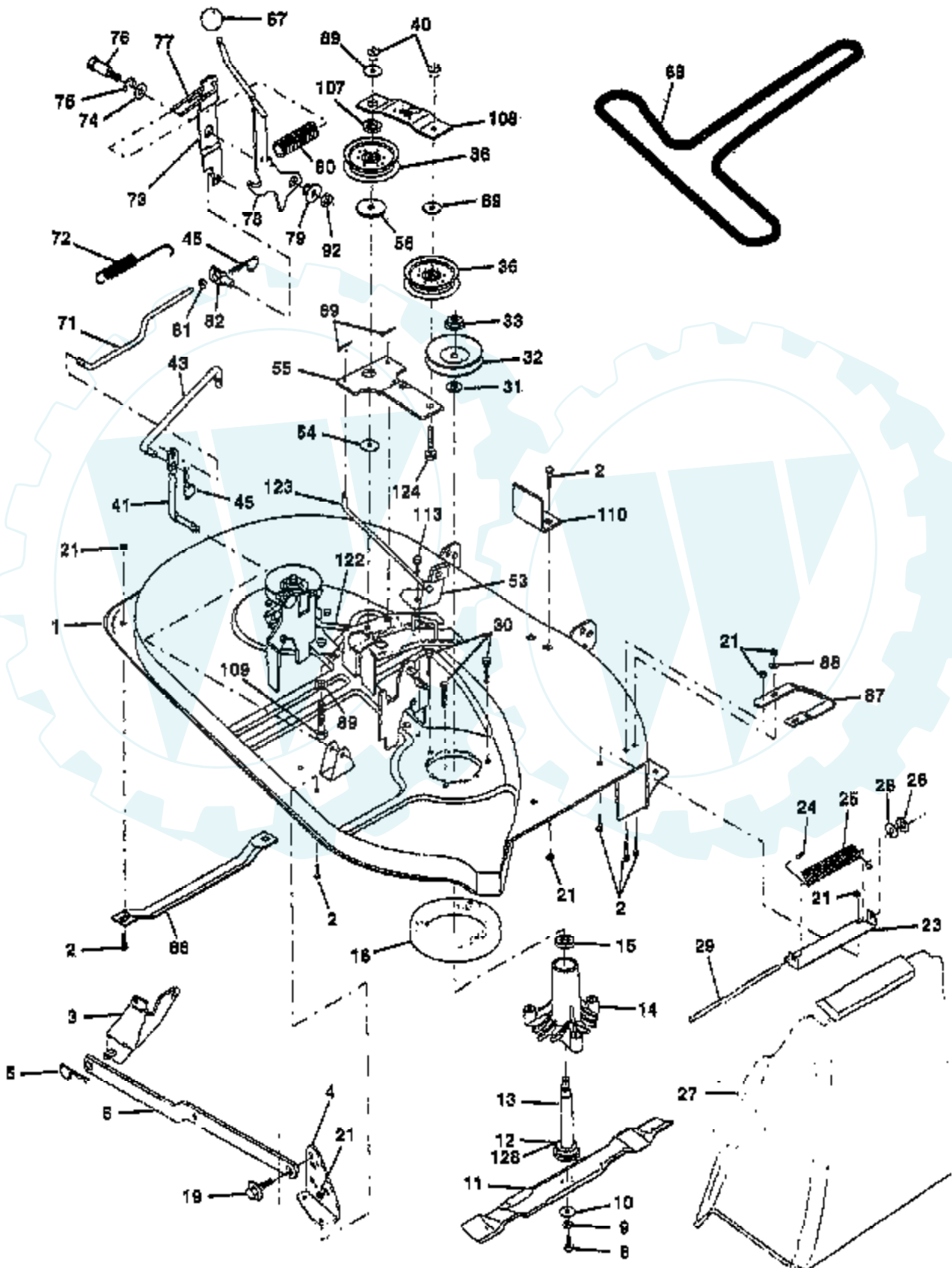


| Ref # | Part Number | Qty | Description                    |
|-------|-------------|-----|--------------------------------|
| 1     | 132771      |     | THROTTLE CONTROL               |
| 2     | 17720410    |     | SCREW LT                       |
| 3     | 285707      |     | ENGINE B&S                     |
| 4     | 101273M     |     | MUFFLER LTV                    |
| 10    | 101159L     |     | SHIELD HEAT LTV                |
| 11    | 10040400    |     | LOCKWASHER                     |
| 13    | 272293      |     | GASKET ENG 1 313 LD TIN PLATED |
| 14    | 13280324    |     | PIPE NIPPLE                    |
| 15    | 13200300    |     | ELBOW                          |
| 16    | 11050600    |     | LOCKWASHER                     |
| 29    | 137180      |     | SUB= 532137180                 |
| 31    | 109202X     |     | TANK.FUEL.LT.                  |
| 32    | 140527      |     | CAP ASM FUEL                   |
| 33    | 123487X     |     | HOSE CLAMP                     |
| 37    | 137040      |     | LINE FUEL                      |
|       |             |     | REFER TO IMAGE                 |
| 40    | 124028X     |     | SUB= 532124028                 |
| 44    | 17490412    |     | SCREW HEX CRT                  |
| 46    | 19091416    |     | WASHER                         |
| 67    | 108767X     |     | DEFLECTOR MUFFLER              |
| 68    | 17030808    |     | SUB= 17030814                  |
| 69    | 74780556    |     | "BOLT,HEX"                     |
| 70    | 19111012    |     | WASHER T                       |
| 71    | 71110408    |     | BOLT HXHD FIN                  |
| 78    | 17490620    |     | SCREW                          |
| 81    | 128861      |     | NUT                            |



# TRACTOR - - MODEL NUMBER R1238A

## MOWER



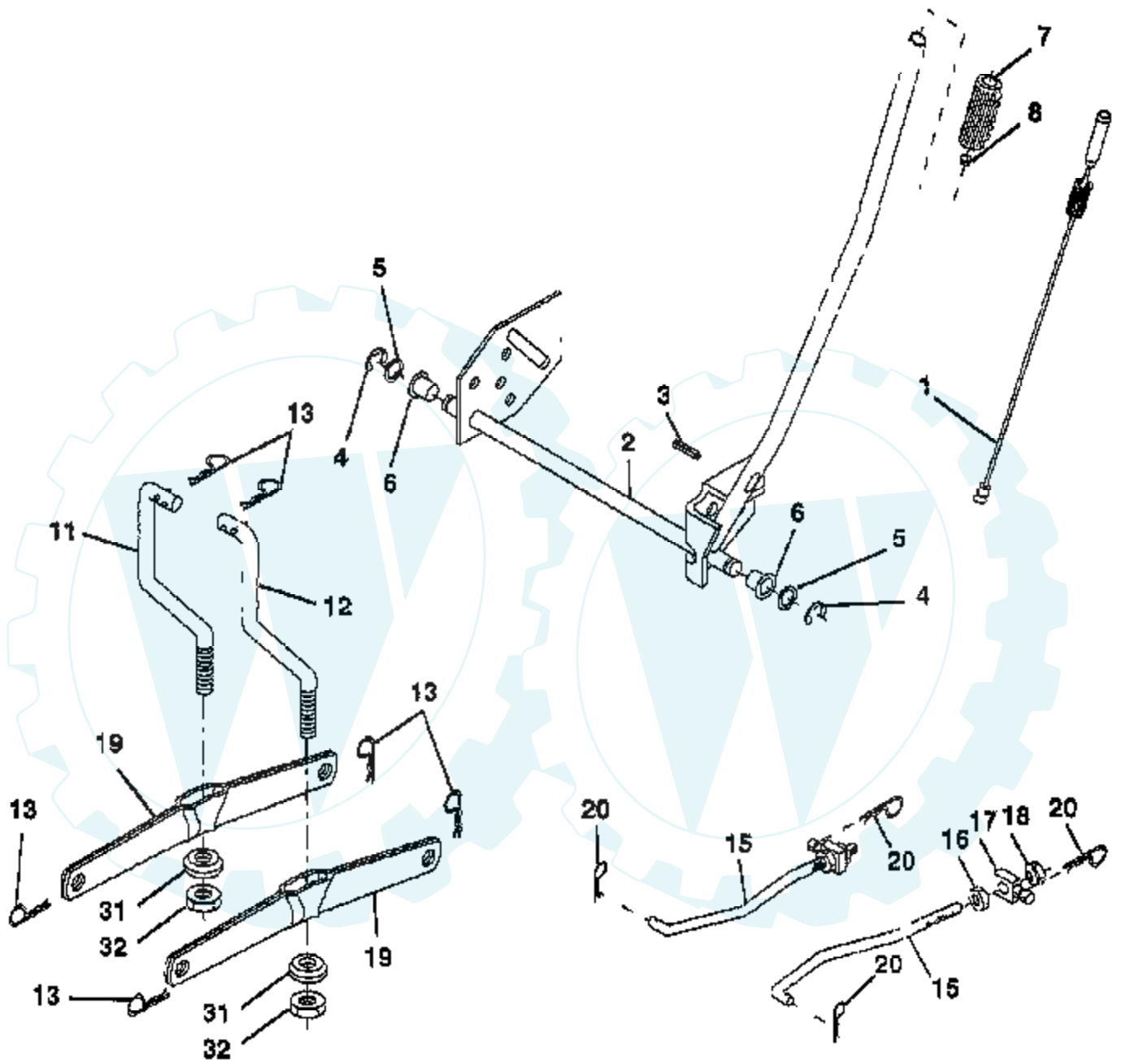
| Ref # | Part Number | Qty | Description         |
|-------|-------------|-----|---------------------|
| 1     | 142829      |     | SUB= 145775         |
| 2     | 72140506    |     | BOLT                |
| 3     | 138017      |     | BRKT ASM SWAY BAR   |
| 4     | 138440      |     | BRKT DECK SW BAR    |
| 5     | 4939M       |     | SUB= 85902          |
| 6     | 130832      |     | SUB= 130833         |
| 8     | 850857      |     | BLADE BOLT          |
| 9     | 10030600    |     | SUB= 10040600       |
| 10    | 140296      |     | WASHER.HARD.BLADE   |
| 11    | 138497      |     | "BLADE.38"" HIPERF" |
| 12    | 129895      |     | BEARING.BALL        |
| 13    | 137645      |     | SUB= 137646         |
| 14    | 128774      |     | HSG ASM MANDREL     |
| 15    | 110485X     |     | BEARING             |
| 16    | 140329      |     | STRIPPER RND MWR    |
| 19    | 132827      |     | BOLT SHD 5/16-18    |
| 21    | 73680500    |     | SUB= 73690500       |
| 23    | 137607      |     | BRKT DEFLECTOR      |
| 24    | 105304X     |     | CAP-SLEEVE LT       |
| 25    | 123713X     |     | SPRING TORSION      |
| 26    | 110452X     |     | NUT PUSH M          |
| 27    | 106736X     |     | DEFLECTOR-SHLD T    |
| 28    | 19111016    |     | WASHER              |
| 29    | 106735X     |     | ROD-HINGE T         |
| 30    | 138776      |     | SUB= 157722         |
| 31    | 129963      |     | WASHER              |
| 32    | 153532      |     | PULLEY.MANDREL.38   |
| 33    | 137266      |     | SUB= 139729         |
| 36    | 131494      |     | FLAT IDLER PULLEY   |
| 40    | 73680600    |     | SUB= 73690600       |
| 41    | 133551      |     | PIVOT ROD           |
| 43    | 133504      |     | CLUTCH ROD SECOND   |
| 45    | 4497H       |     | RETAINER M          |
| 53    | 130840      |     | BRAKE ASM           |
| 54    | 133943      |     | HARDENED WASHER     |
| 55    | 133840      |     | IDLER ARM ASSY      |
| 56    | 122052X     |     | SPACER RETAINER     |
| 67    | 106932X     |     | KNOB T(3/8 HOLE)    |
| 68    | 144200      |     | BELT.V.T-PATH       |
| 69    | 76020312    |     | SUB= 3145           |
| 71    | 142427      |     | ROD CLUTCH 38/42    |
| 72    | 131870      |     | RETURN SPRING       |
| 73    | 127847      |     | CLUTCH ARM SECOND   |
| 74    | 121748X     |     | WASHER              |
| 75    | 12000029    |     | RING                |
| 76    | 128903      |     | SHOULDER BOLT       |
| 77    | 127845      |     | SPRING KEEPER       |
| 78    | 154810      |     | "ARM-CLUTCH,PRIM"   |
| 79    | 127498      |     | BUSHING             |
| 80    | 153701      |     | SPRING.CLUTCH.MWR   |
| 81    | 73350600    |     | NUT                 |
| 82    | 142028      |     | TRUNION ADJ         |
| 86    | 7631J       |     | RUNNER-LH M         |
| 87    | 128772      |     | RUNNER RH           |
| 88    | 19111216    |     | WASHER M            |
| 89    | 19131612    |     | WASHER GT           |
| 92    | 73800600    |     | NUT                 |
| 107   | 133502      |     | RETAINER SPACER     |

| Ref # | Part Number | Qty | Description       |
|-------|-------------|-----|-------------------|
| 108   | 133503      |     | IDLER ARM STIFF   |
| 109   | 74760640    |     | BOLT              |
| 110   | 142587      |     | UPSTOP DECK FT 38 |
| 113   | 17490512    |     | SCREW             |
| 122   | 131289      |     | BRAKE ROD LH      |
| 123   | 131288      |     | BRAKE ROD RH      |
| 124   | 72110614    |     | BOLT              |
| 128   | 153390      |     | WASHER.FELT.      |
|       | 145758      |     | DECK.SERV.38.HLMC |
|       | 130794      |     | MANDREL ASM       |

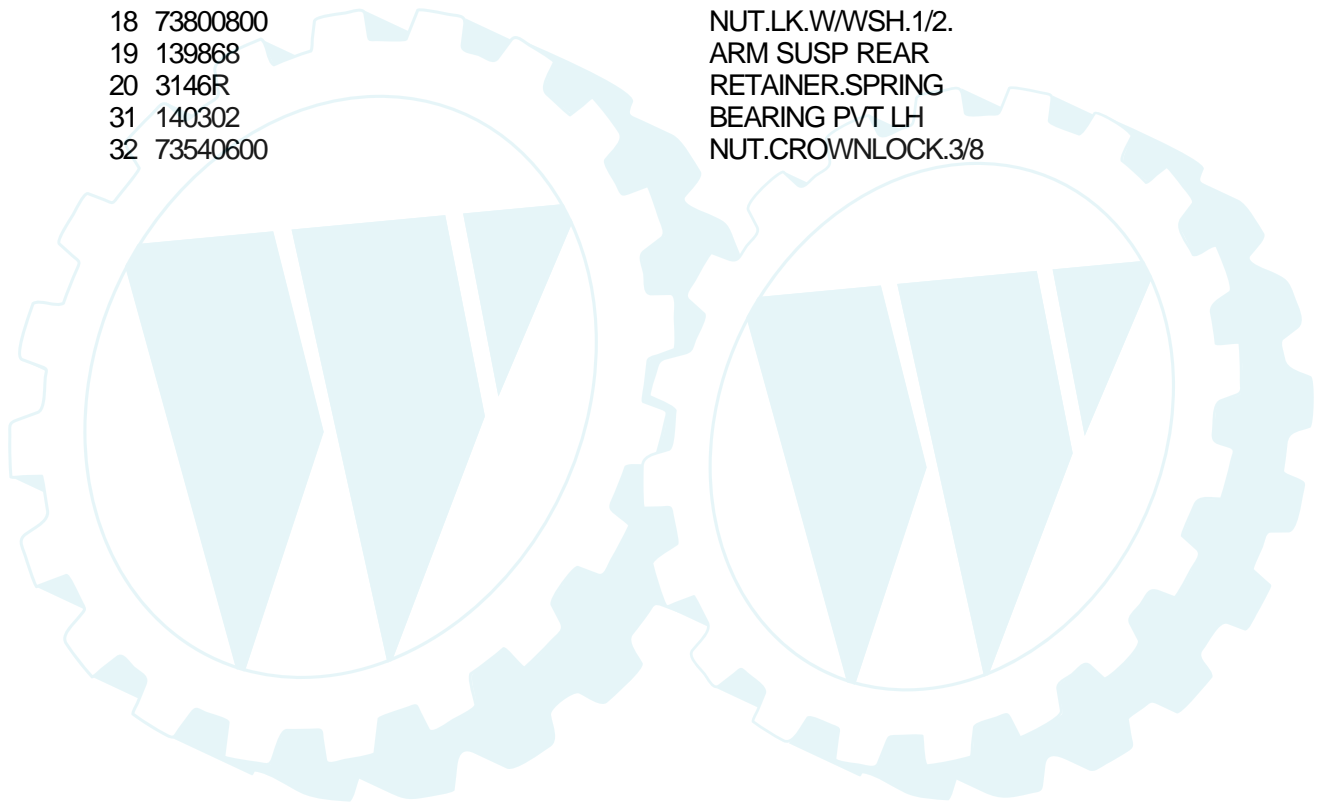


# TRACTOR - - MODEL NUMBER R1238A

## MOWER LIFT



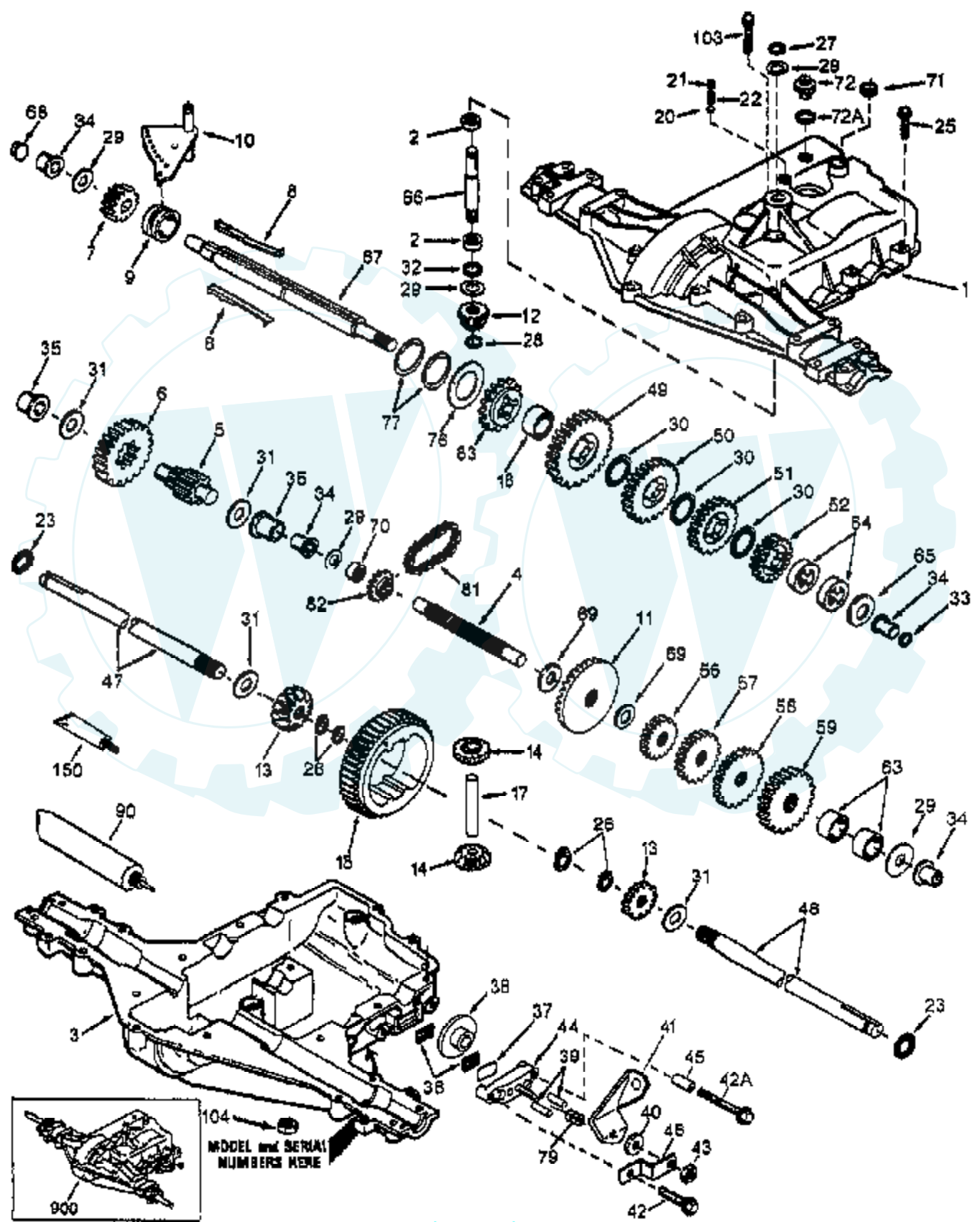
| Ref # | Part Number | Qty | Description       |
|-------|-------------|-----|-------------------|
| 1     | 159460      |     | WIRE ASM W.SPRING |
| 2     | 159474      |     | SHAFT ASM.LIFT    |
| 3     | 105767X     |     | PIN-GROOVE LT     |
| 4     | 12000002    |     | SUB= 2225J        |
| 5     | 19211621    |     | WASHER            |
| 6     | 120183X     |     | NYLON BEARING     |
| 7     | 109413X     |     | GRIP              |
| 8     | 124526X     |     | SUB= 125925X      |
| 11    | 139865      |     | SUB= 918139865    |
| 12    | 139866      |     | SUB= 151140       |
| 13    | 4939M       |     | SUB= 85902        |
| 15    | 127218      |     | LINK.FRONT        |
| 16    | 73350800    |     | NUT               |
| 17    | 130171      |     | TRUNION           |
| 18    | 73800800    |     | NUT.LK.W/WSH.1/2. |
| 19    | 139868      |     | ARM SUSP REAR     |
| 20    | 3146R       |     | RETAINER.SPRING   |
| 31    | 140302      |     | BEARING PVT LH    |
| 32    | 73540600    |     | NUT.CROWNLOCK.3/8 |





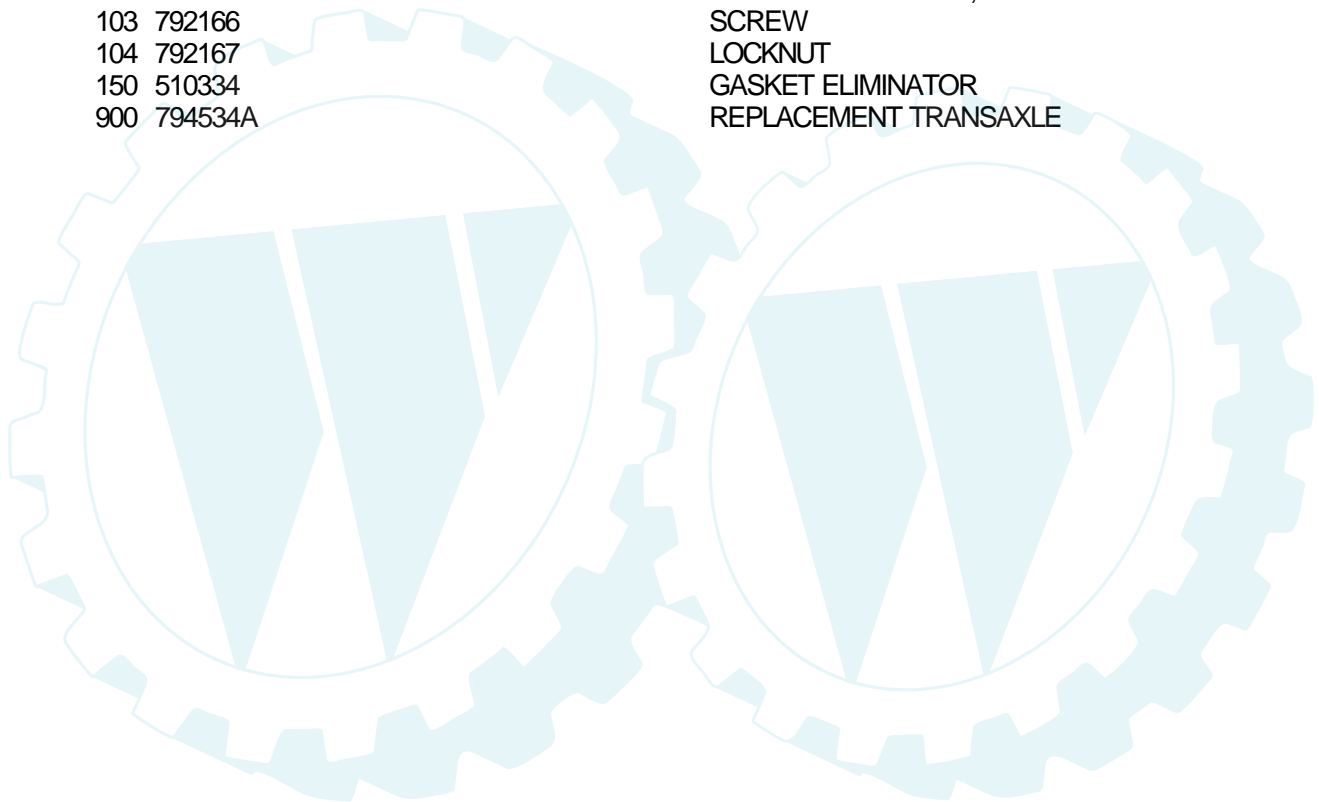
# TRACTOR - - MODEL NUMBER R1238A

## PEERLESS TRANSAXLE - - MODEL NUMBER P930-053



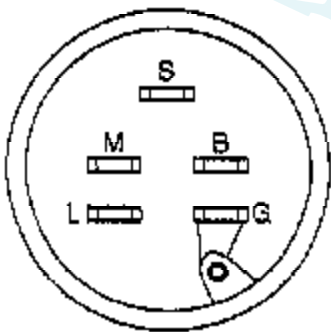
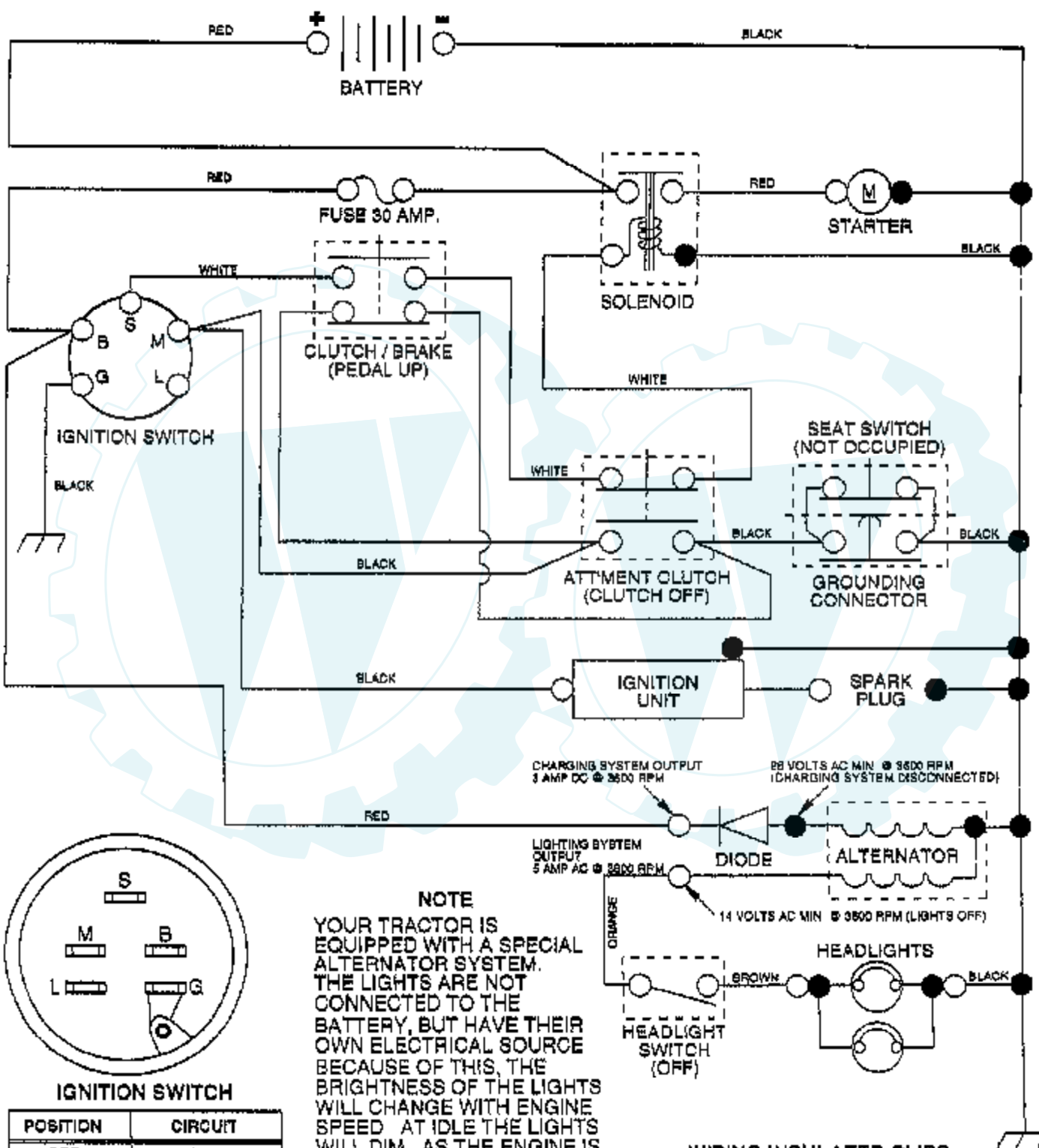
| Ref # | Part Number | Qty | Description             |
|-------|-------------|-----|-------------------------|
| 1     | 772108A     |     | TRANSAXLE COVER         |
| 2     | 780086      |     | BEARING, NEEDLE         |
| 3     | 770102A     |     | TRANSAXLE CASE          |
| 4     | 776260      |     | SHAFT, COUNTER          |
| 5     | 776219B     |     | OUTPUT SHAFT AND PINION |
| 6     | 778139      |     | GEAR, OUTPUT            |
| 7     | 778136      |     | GEAR, SPUR, 15 TEETH    |
| 8     | 792136A     |     | SHIFT KEY               |
| 9     | 784352      |     | COLLAR, SHIFTER         |
| 10    | 784355      |     | ROD & FORK ASSY, SHIFT  |
| 11    | 778229      |     | GEAR, BEVEL, 42 TEETH   |
| 12    | 778113A     |     | BEVEL PINION, INPUT     |
| 13    | 778221      |     | GEAR, BEVEL             |
| 14    | 778068      |     | GEAR, BEVEL, PINION     |
| 15    | 778260      |     | GEAR, RING              |
| 17    | 786139      |     | PIN, DRIVE              |
| 18    | 786102      |     | SPACER, NEUTRAL         |
| 20    | 792077      |     | BALL STEEL, 5/16" DIA.  |
| 21    | 792078      |     | SCREW, 3/8-16 X 3/8"    |
| 22    | 792079      |     | SPRING                  |
| 23    | 788061      |     | RING, SEAL              |
| 25    | 792073      |     | SCREW, 1/4-20 X 1-1/4   |
| 26    | 792125      |     | RING RETAINER           |
| 27    | 792035      |     | RING, RETAINER          |
| 28    | 788040      |     | RETAINING RING          |
| 29    | 780072      |     | WASHER THRUST           |
| 30    | 780108      |     | WASHER THRUST           |
| 31    | 780001      |     | WASHER                  |
| 32    | 792001      |     | "O" RING                |
| 33    | 788095      |     | SEAL, SQUARE CUT        |
| 34    | 780105A     |     | BUSHING, FLANGED        |
| 35    | 780118A     |     | BUSHING, FLANGED        |
| 36    | 790003      |     | DISK, BRAKE             |
| 37    | 790007      |     | PLATE BRAKE PAD         |
| 38    | 799021      |     | BRAKE PAD               |
| 39    | 786026      |     | PIN DOWEL               |
| 40    | 792076A     |     | WASHER                  |
| 41    | 790079      |     | BRAKE LEVER             |
| 42    | 792073      |     | SCREW, 1/4-20 X 1-1/4   |
| 42A   | 792085A     |     | SCREW, 1/4-20 X 2-1/4   |
| 43    | 792075      |     | LOCKNUT 5/16-24         |
| 44    | 790025      |     | HOLDER BRAKE PAD        |
| 45    | 786066      |     | SPACER                  |
| 46    | 786086      |     | BRKT BRAKE LEVER        |
| 47    | 774690      |     | AXLE                    |
| 48    | 774691      |     | AXLE                    |
| 49    | 778215      |     | GEAR, SPUR, 37 TEETH    |
| 50    | 778124A     |     | GEAR, SPUR, 30 TEETH    |
| 51    | 778123A     |     | GEAR, SPUR, 25 TEETH    |
| 52    | 778273      |     | GEAR, SPUR, 19T         |
| 56    | 778230      |     | GEAR, SPUR, 12 TEETH    |
| 57    | 778126A     |     | GEAR, SPUR, 20 TEETH    |
| 58    | 778127A     |     | GEAR, SPUR, 25 TEETH    |
| 59    | 778163      |     | GEAR, SPUR, 31 TEETH    |
| 63    | 786071      |     | SPACER                  |
| 64    | 786072      |     | SPACER                  |
| 65    | 780109      |     | WASHER, THRUST          |
| 66    | 776135      |     | SHAFT, INPUT            |

| Ref # | Part Number | Qty | Description              |
|-------|-------------|-----|--------------------------|
| 67    | 776315A     |     | SHAFT, BRAKE, 4 KEYED    |
| 68    | 786116A     |     | PLUG                     |
| 69    | 780051      |     | WASHER THRUST            |
| 70    | 786118      |     | SPACER                   |
| 71    | 788069      |     | SEAL SQUARE CUT          |
| 72    | 792165      |     | THREADED PLUG 9/16-18    |
| 72A   | 788091      |     | "O" RING                 |
| 76    | 780090      |     | WASHER, THRUST           |
| 77    | 788078A     |     | INVERTED RETAINING RING  |
| 79    | 792144      |     | SPRING                   |
| 81    | 786081      |     | CHAIN, ROLLER            |
| 82    | 786082      |     | SPROCKET 9T              |
| 83    | 786123      |     | SPROCKET 18T (REV)       |
| 90    | 788067B     |     | GREASE BENTONITE, 32 OZ. |
| 103   | 792166      |     | SCREW                    |
| 104   | 792167      |     | LOCKNUT                  |
| 150   | 510334      |     | GASKET ELIMINATOR        |
| 900   | 794534A     |     | REPLACEMENT TRANSAXLE    |



### TRACTOR - - MODEL NUMBER R1238A

#### SCHEMATIC



IGNITION SWITCH

| POSITION | CIRCUIT   |
|----------|-----------|
| OFF      | M + G     |
| ON       | B + L     |
| START    | S + S + L |

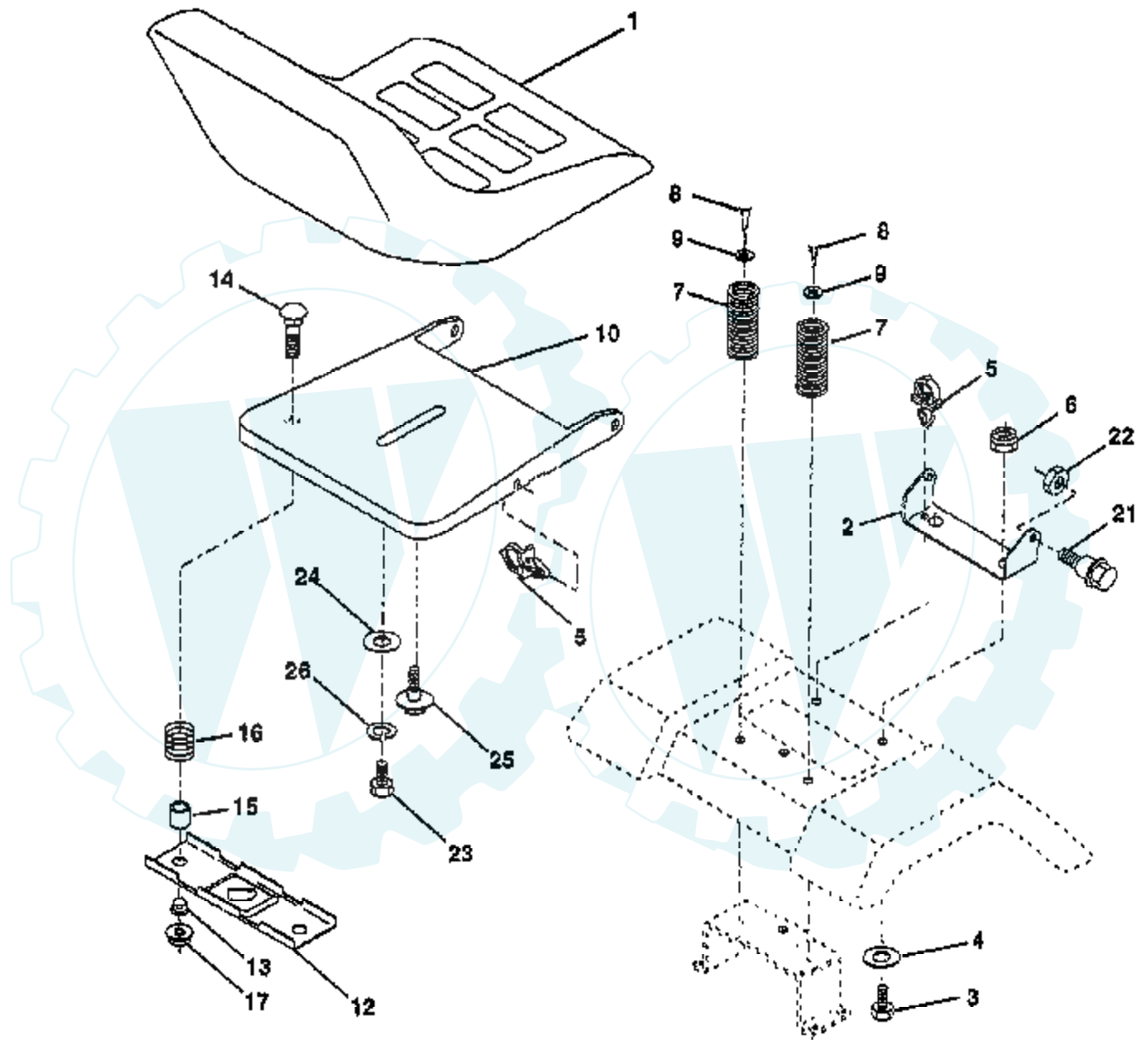
**NOTE**  
YOUR TRACTOR IS EQUIPPED WITH A SPECIAL ALTERNATOR SYSTEM. THE LIGHTS ARE NOT CONNECTED TO THE BATTERY, BUT HAVE THEIR OWN ELECTRICAL SOURCE BECAUSE OF THIS, THE BRIGHTNESS OF THE LIGHTS WILL CHANGE WITH ENGINE SPEED AT IDLE THE LIGHTS WILL DIM AS THE ENGINE IS SPEEDED UP, THE LIGHTS WILL BECOME THEIR BRIGHTEST.

**WIRING INSULATED CLIPS**  
**NOTE:** IF WIRING INSULATED CLIPS WERE REMOVED FOR SERVICING OF UNIT, THEY SHOULD BE REPLACED TO PROPERLY SECURE YOUR WIRING

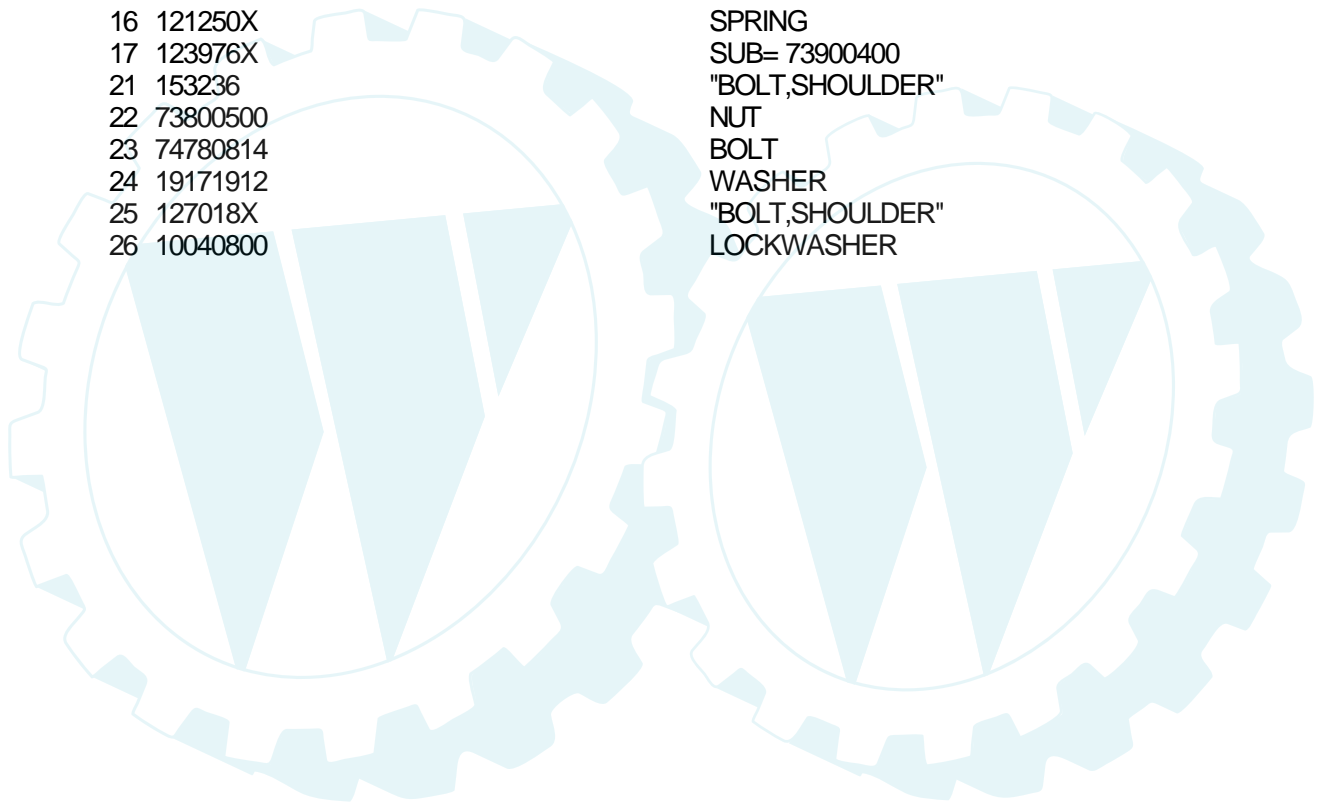
● NON-REMOVABLE CONNECTIONS    ○ REMOVABLE CONNECTIONS

# TRACTOR - - MODEL NUMBER R1238A

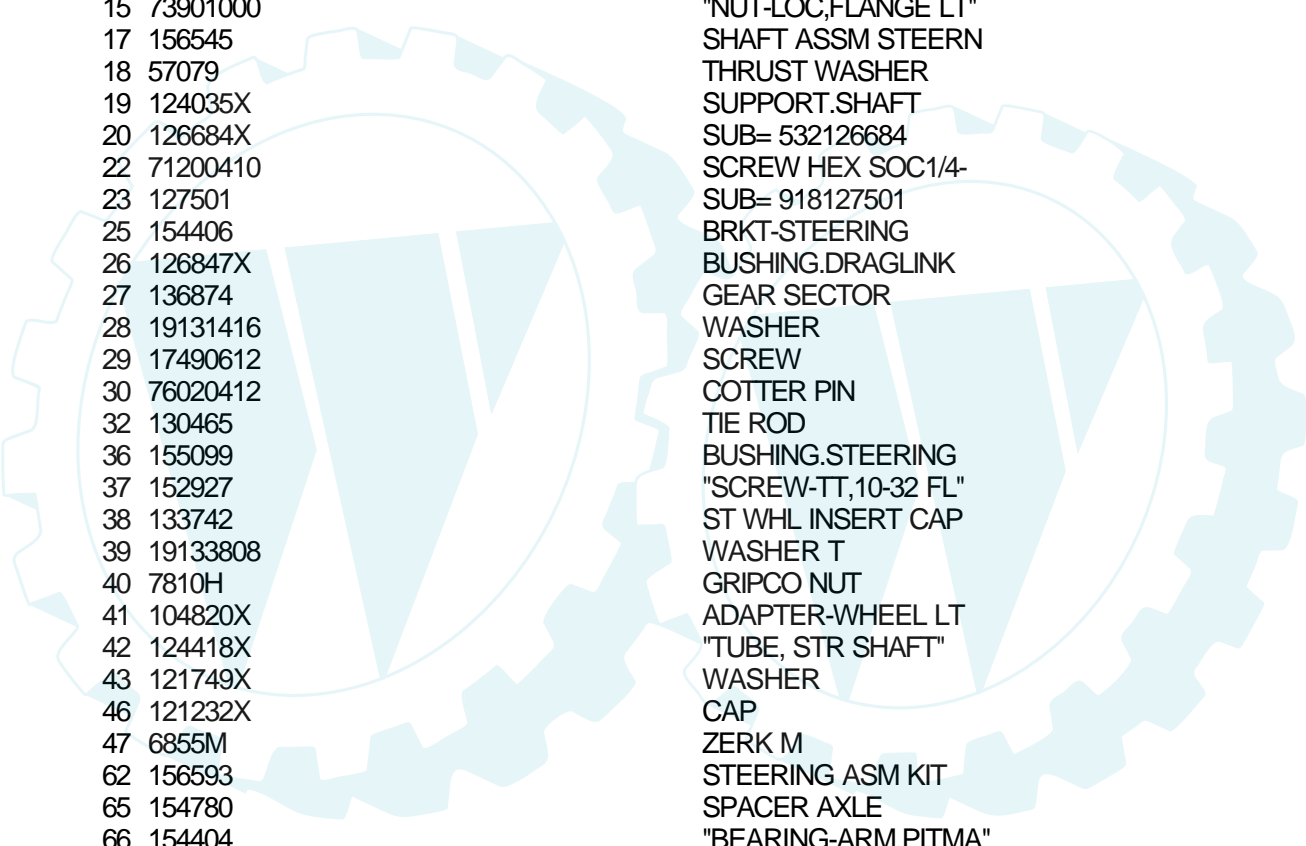
## SEAT ASSEMBLY



| Ref # | Part Number | Qty | Description       |
|-------|-------------|-----|-------------------|
| 1     | 127427      |     | SUB= 140119       |
| 2     | 140551      |     | BRACKET PVT SEAT  |
| 3     | 74760616    |     | BOLT              |
| 4     | 19131610    |     | WASHER PM         |
| 5     | 145006      |     | CLIP.PUSH-IN.HING |
| 6     | 73800600    |     | NUT               |
| 7     | 124181X     |     | SPRING COMPRESSIO |
| 8     | 17490616    |     | SCREW GTV         |
| 9     | 19131614    |     | WASHER            |
| 10    | 155925      |     | PAN-SEAT          |
| 12    | 121246X     |     | BRKT SWITCH       |
| 13    | 121248X     |     | BUSHING           |
| 14    | 72050411    |     | SUB= 872050411    |
| 15    | 134300      |     | SPLIT SPACER      |
| 16    | 121250X     |     | SPRING            |
| 17    | 123976X     |     | SUB= 73900400     |
| 21    | 153236      |     | "BOLT,SHOULDER"   |
| 22    | 73800500    |     | NUT               |
| 23    | 74780814    |     | BOLT              |
| 24    | 19171912    |     | WASHER            |
| 25    | 127018X     |     | "BOLT,SHOULDER"   |
| 26    | 10040800    |     | LOCKWASHER        |





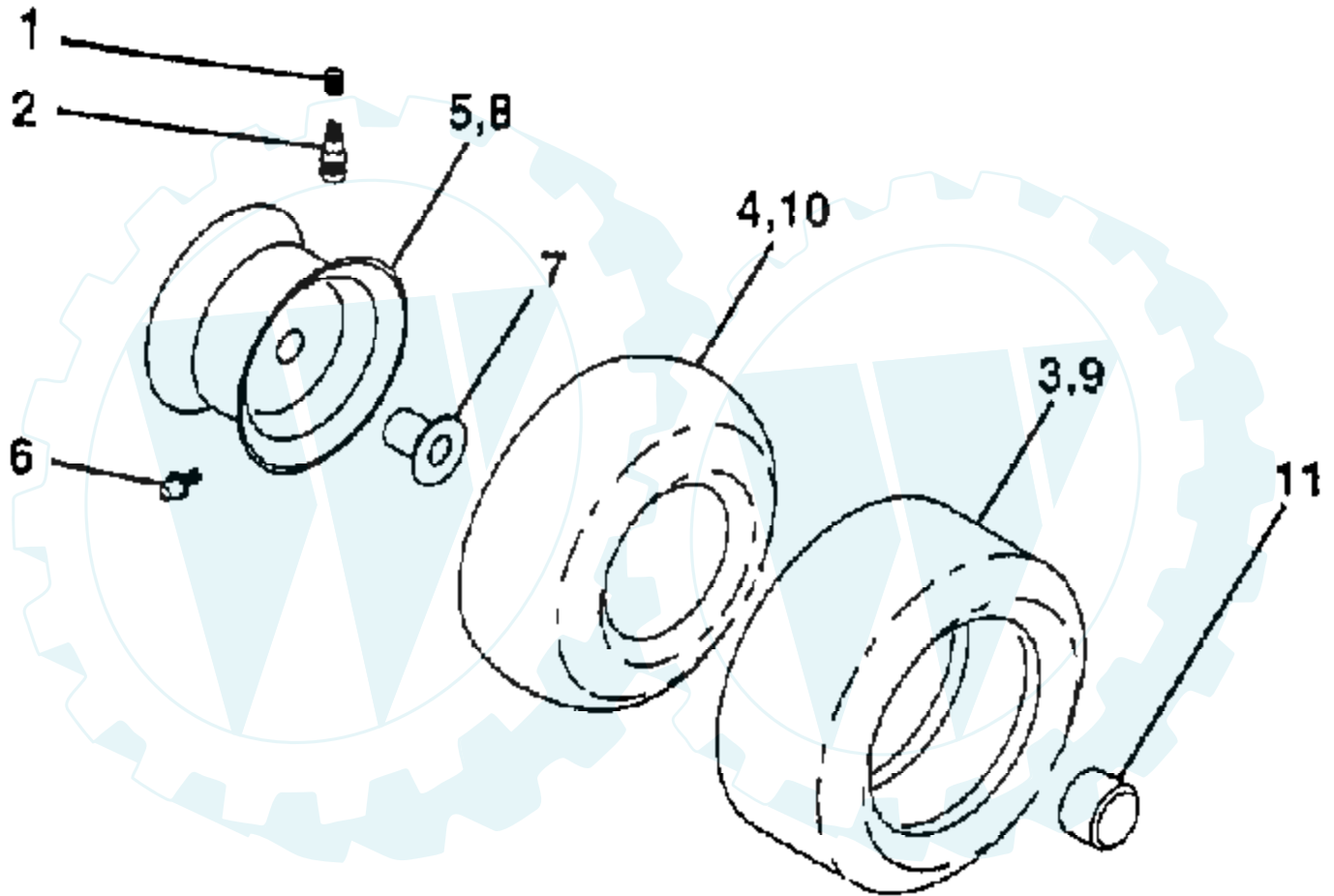


| Ref # | Part Number | Qty | Description         |
|-------|-------------|-----|---------------------|
| 1     | 133741      |     | SUB= 150547         |
| 2     | 154427      |     | AXLE ASM            |
| 3     | 156483      |     | SPINDLE.ASM.LH      |
| 4     | 157473      |     | "SPINDLE ASM,RH"    |
| 5     | 6266H       |     | WASHER .T           |
| 6     | 121748X     |     | WASHER              |
| 7     | 19272016    |     | WASHER              |
| 8     | 12000029    |     | RING                |
| 9     | 3366R       |     | COL. SRTG. BEAR.    |
| 10    | 156438      |     | DRAGLINK-STAMPED    |
| 11    | 10040600    |     | LOCKWASHER          |
| 12    | 73610600    |     | SUB= 7810H          |
| 13    | 154779      |     | BEARING AXLE        |
| 15    | 73901000    |     | "NUT-LOC,FLANGE LT" |
| 17    | 156545      |     | SHAFT ASSM STEERN   |
| 18    | 57079       |     | THRUST WASHER       |
| 19    | 124035X     |     | SUPPORT.SHAFT       |
| 20    | 126684X     |     | SUB= 532126684      |
| 22    | 71200410    |     | SCREW HEX SOC1/4-   |
| 23    | 127501      |     | SUB= 918127501      |
| 25    | 154406      |     | BRKT-STEERING       |
| 26    | 126847X     |     | BUSHING.DRAGLINK    |
| 27    | 136874      |     | GEAR SECTOR         |
| 28    | 19131416    |     | WASHER              |
| 29    | 17490612    |     | SCREW               |
| 30    | 76020412    |     | COTTER PIN          |
| 32    | 130465      |     | TIE ROD             |
| 36    | 155099      |     | BUSHING.STEERING    |
| 37    | 152927      |     | "SCREW-TT,10-32 FL" |
| 38    | 133742      |     | ST WHL INSERT CAP   |
| 39    | 19133808    |     | WASHER T            |
| 40    | 7810H       |     | GRIPCO NUT          |
| 41    | 104820X     |     | ADAPTER-WHEEL LT    |
| 42    | 124418X     |     | "TUBE, STR SHAFT"   |
| 43    | 121749X     |     | WASHER              |
| 46    | 121232X     |     | CAP                 |
| 47    | 6855M       |     | ZERK M              |
| 62    | 156593      |     | STEERING ASM KIT    |
| 65    | 154780      |     | SPACER AXLE         |
| 66    | 154404      |     | "BEARING-ARM,PITMA" |
| 67    | 74781044    |     | BOLT                |
| 68    | 154429      |     | BRACE AXLE          |



# TRACTOR - - MODEL NUMBER R1238A

## WHEELS & TIRES



| Ref # | Part Number | Qty | Description              |
|-------|-------------|-----|--------------------------|
| 1     | 59192       |     | VALVE CAP                |
| 2     | 65139       |     | VALVE STEM LT            |
| 3     | 106222X     |     | SUB= 122073X             |
| 4     | 59904       |     | TUBE.5.3/4.5/6           |
| 5     | 106732X427  |     | "RIM ASM 6"" FRT"        |
| 6     | 278H        |     | FITTING LT               |
| 7     | 9040H       |     | "FLANGE, BEARING"        |
| 8     | 106108X427  |     | "RIM AS 8"" REAR"        |
| 9     | 124635X     |     | SUB= 126957X             |
| 10    | 7152J       |     | TUBE.18X9.5-8            |
| 11    | 104757X     |     | HUB CAP                  |
|       | 144334      |     | SEALANT.TIRE 10 OZ. TUBE |

