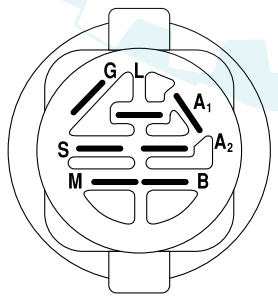
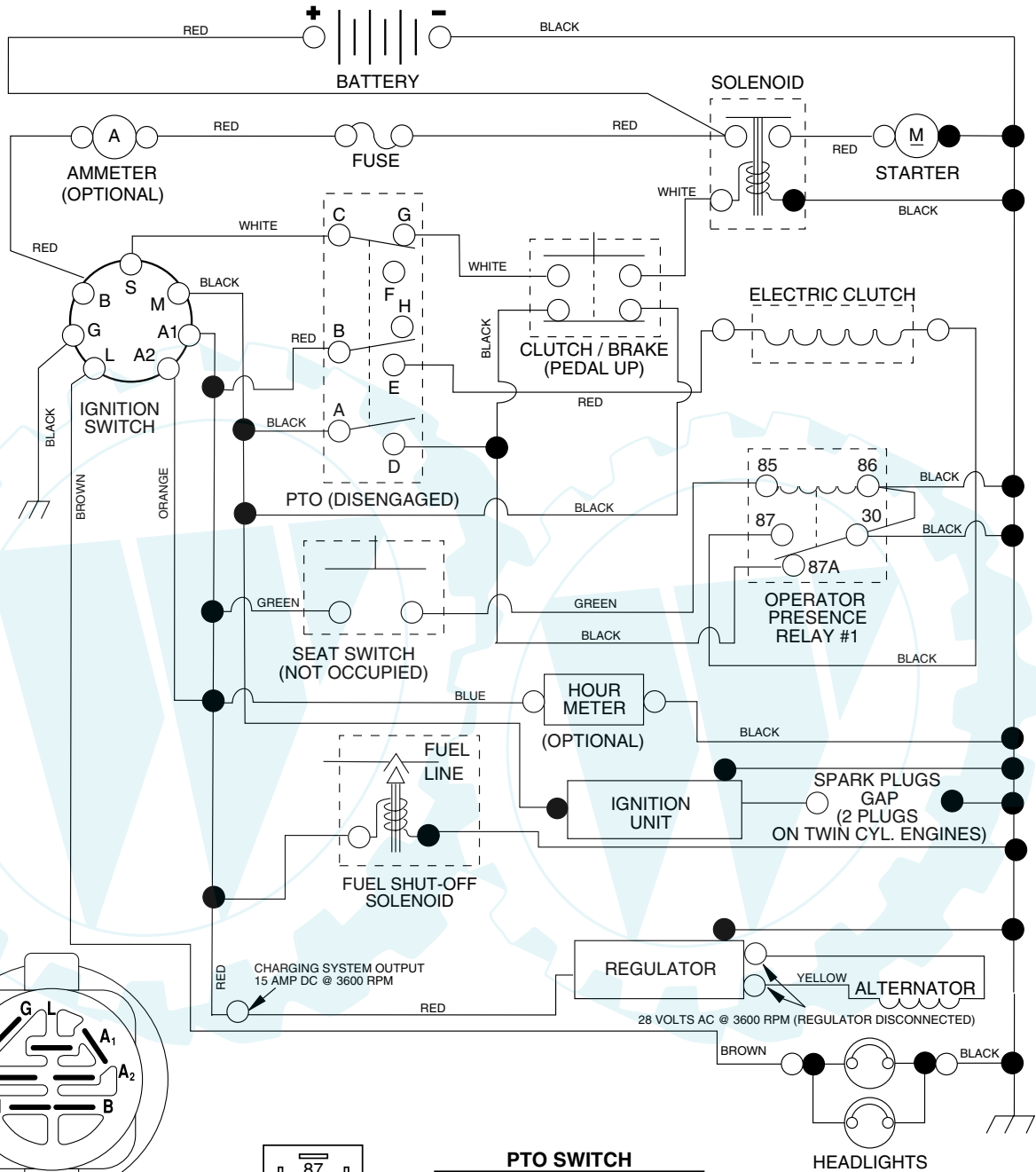


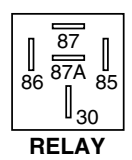
SCHEMATIC



IGNITION SWITCH

POSITION	CIRCUIT	"MAKE"
OFF	M + G + A1	NONE
ON + LIGHTS	B + A1	L + A2
ON	B + A1	NONE
START	B + S + A1	NONE

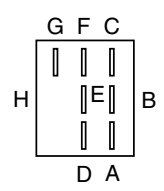
WIRING INSULATED CLIPS
NOTE: IF WIRING INSULATED CLIPS WERE REMOVED FOR SERVICING OF UNIT, THEY SHOULD BE REPLACED TO PROPERLY SECURE YOUR WIRING.



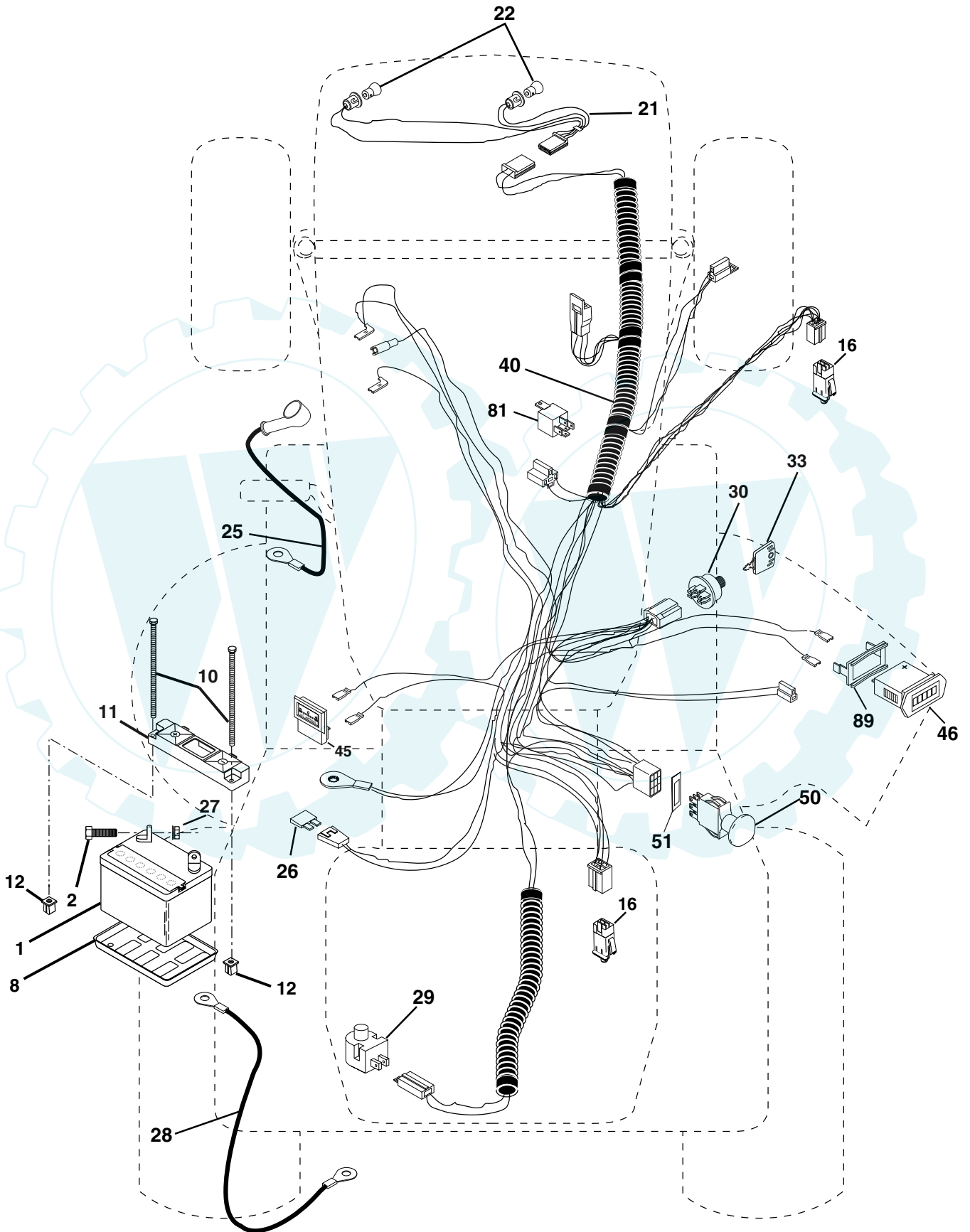
RELAY

PTO SWITCH

POSITION	CIRCUIT
OFF	C + G, B + H
ON	C + F, B + E, A + D



ELECTRICAL



TRACTOR - - MODEL NO. QPGT25H50A

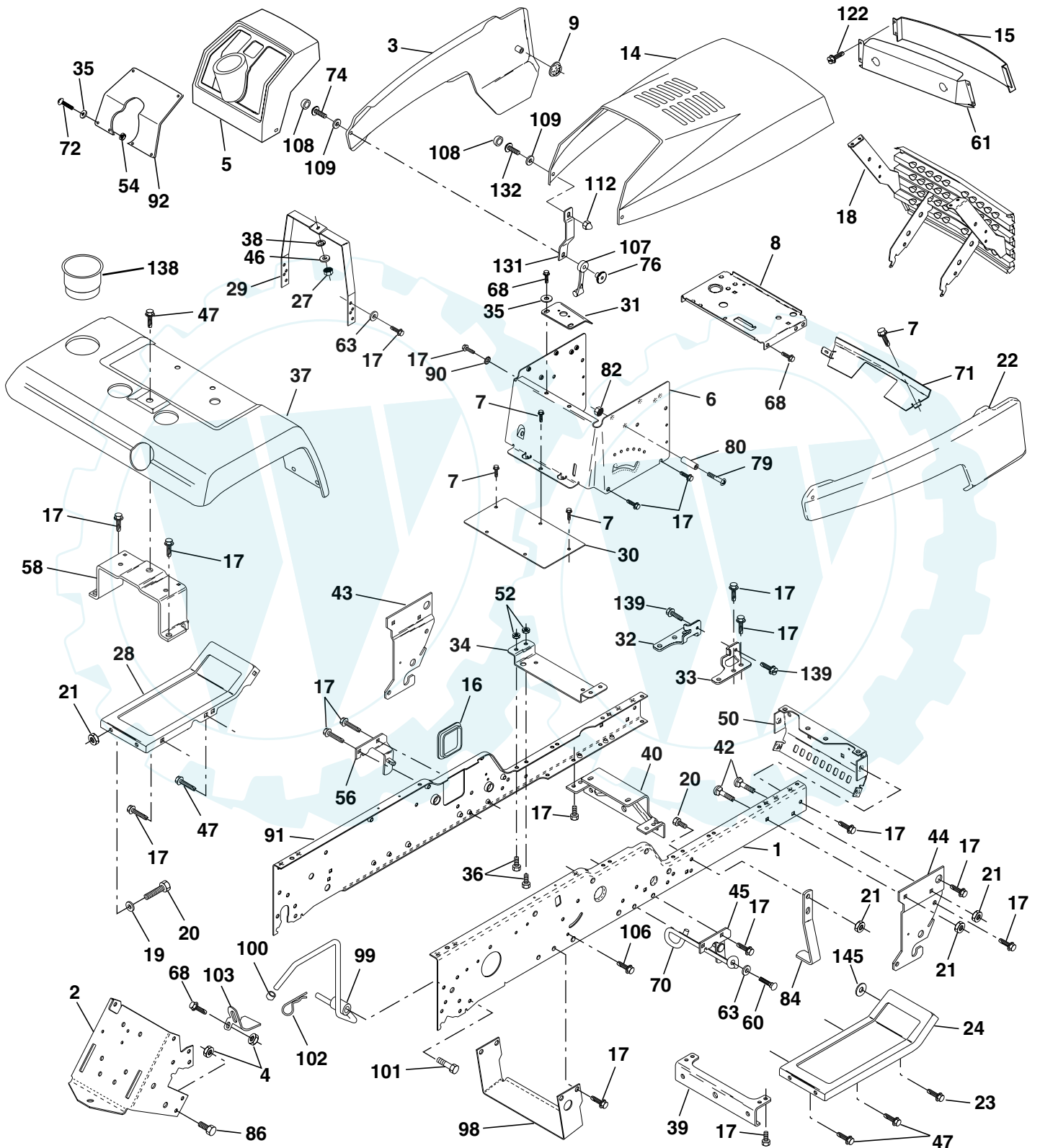
ELECTRICAL

KEY NO.	PART NO.	DESCRIPTION
1	144927	Battery
2	74760412	Bolt Hex Head 1/4-20 x 3/4
8	7603J	Tray, Battery
10	145211	Bolt, Battery Front 1/4-20 x 7.5 Zinc
11	150109	Holddown Battery Front Mount
12	145769	Nut, Push Nylon 1.4" Battery Front
16	153664	Switch Interlock Push-In
21	166182	Harness Socket Light w/4152J
22	4152J	Bulb Light
25	154335	Cable, Boot Asm CV25 W/16 WI
26	108824X	Fuse
27	73510400	Nut Keps Hex 1/4-20 Unc
28	160697	Cable, Ground
29	160784	Switch, Plunger Normal Op Olive
30	163968	Switch, Ign
33	140401	Key
40	170238	Harness Ign.
45	122822X	Ammeter Rectangular
46	169635	Meter, Hour
50	169417	Switch, PTO
51	140405	Ring Retainer PTO
81	109748X	Relay Asm.
89	169639	Bracket Snap-In Hourmeter

NOTE: All component dimensions given in U.S. inches
1 inch = 25.4 mm

TRACTOR - - MODEL NO. QPGT25H50A

CHASSIS AND ENCLOSURES



TRACTOR - - MODEL NO. QPGT25H50A

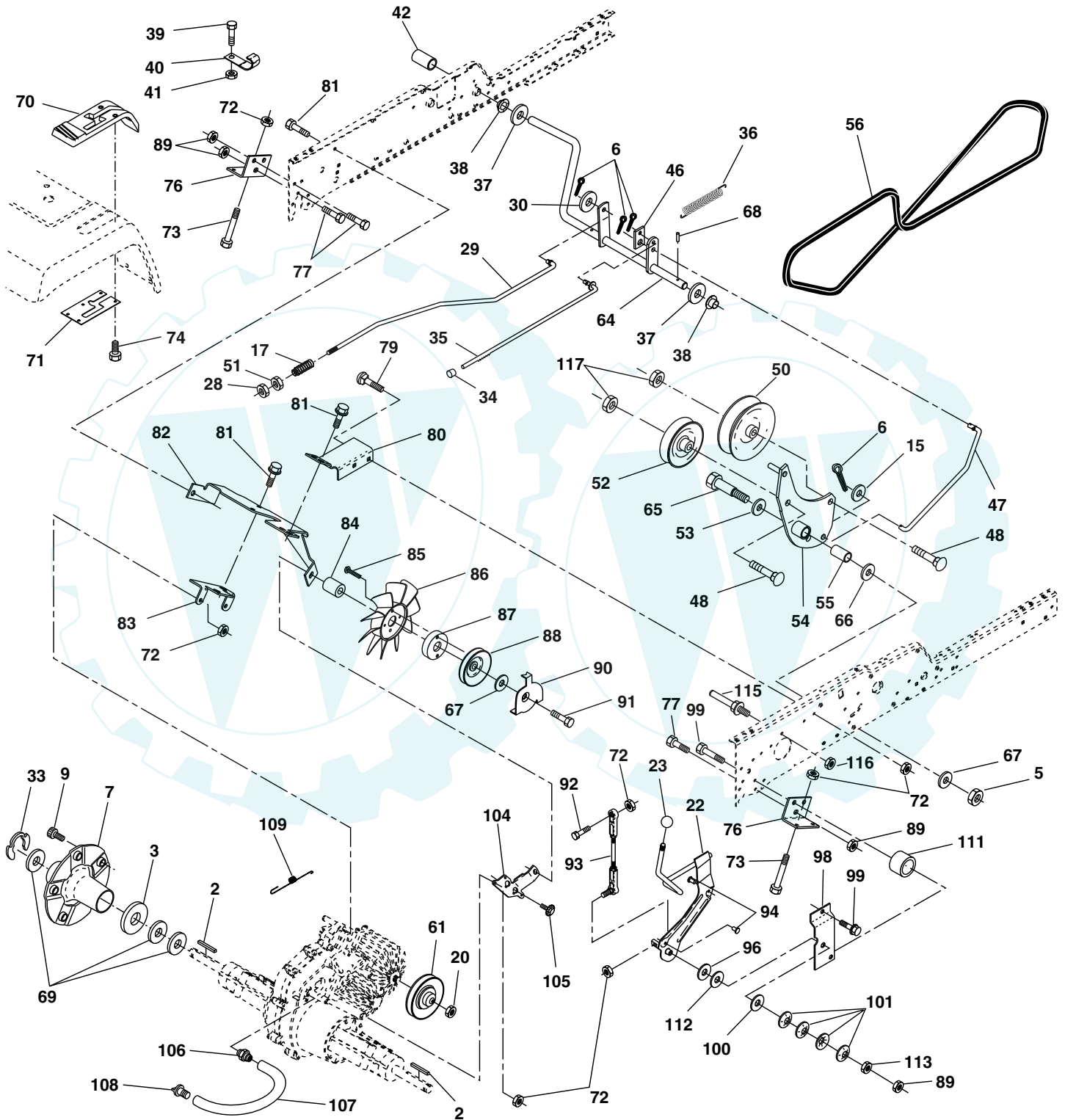
CHASSIS AND ENCLOSURES

KEY NO.	PART NO.	DESCRIPTION	KEY NO.	PART NO.	DESCRIPTION
1	150253	Rail, Frame RH	52	73680500	Nut, Crownlock 5/16-18
2	140506	Drawbar, Gt	54	73510500	Nut 5/16-18
3	150302X428	Panel Asm., Side LH	56	154914	Bracket Asm., Susp Chassis Lh
4	73800700	Nut, Lock Hex 7/16 Unc	58	137113	Bracket Asm., Fender
5	140398	Dash, Plastic Black	60	17490620	Screw Thdrol 3/8-16 x 1-1/4
6	157882	Dash, 1PCS, Lower	61	147717X417	Beze. Asem.
7	17720408	Screw, Thd Cut 1/4-20 x 1/2	63	19131614	Washer 13/32 x 1 x 14 Ga.
8	145166	Support, Battery	68	17490508	Screw, Thdrol 5/16-18 x 1/2
9	108067X	Nut, Pal	70	137159	Guide, Belt Mid Span
14	150301X428	Hood Asm., Pnt	71	144916X428	Strap, Grille
15	146459	Lens, Headlight Bar	72	74180512	Screw, Mach Trhd 5/16-18 x 3/4
16	121794X	Cover, Access	74	74191008	Screw, Machine #10-24
17	17000612	Screw, Hex Wsh Thdrl 3/8-16 x 3/4	76	2029J	Nut, Weld #10-24
18	150198	Grille	79	74981020	Screw, Machine #10-24 x 1/4
19	19131312	Washer 13/32 x 13/16 x 12 Ga.	80	7206J	Spacer, Split
20	74760616	Bolt, Fin Hex 3/8-16 x 1	82	73731000	Nut #10-24
21	73680600	Nut, Crownlock 3/8-16	84	142992	Stop, Over Center Mower
22	167237X428	Panel Asm., Side RH	86	74760716	Bolt, Fin Hex 7/16-14 Unc x 1
23	17490616	Screw Thdrol 3/8-16 x 1	90	11050600	Washer, Lock External Tooth 3/8
24	145243X428	Footrest, RH	91	170755	Rail, Frame Lh
27	73220400	Nut, Fin Hex 1/4-20	92	166840X010	Plate, Silkscreen Dash
28	145244X428	Footrest, LH	98	140503	Bracket Chassis Skid
29	145205	Bracket, Support Dash	99	140871	Rod Asm. Bypass
30	145052	Saddle	100	124236X	Cap Brake Parking Red
31	161419	Bracket Supt 1-pc Vgt Steering	101	17490628	Screw Thdrol. 3/8-16 x 1-3/4
32	161327	Bracket, Frame Pivot Lh	102	4497H	Retainer Spring 1"
33	161326	Bracket, Frame Pivot Rh	103	142273	Bracket Lock Bypass
34	142131	Bracket, Engine Support Rear	106	138776	Screw Thdrol Hex Head Zinc
35	19111116	Washer 11/32 x 11/16 x 16 Ga.	107	109808X	Latch, Chute Blk
36	74780512	Bolt, Fin Hex 5/16-18 x 3/4	108	110356X	Cap, Snap Black
37	167287X428	Fender, Pnt.	109	110357X	Cap, Washer Snap Nat
38	10040400	Washer, Lock 1/4	112	60867	Nut, Acorn, Hex #10-24
39	136961	Bracket, Axle Front	122	161464	Screw Hex Wshd 8-18 x 7/8
40	156111	Bracket, Support Axle/Engine	131	150195	Bracket Support Hood/Panel YP
42	72140608	Bolt Rdhd Sqnk 3/8-16 Unc x 1	132	74291006	Screw Truss Hd #10-24 x 3/8
43	136939	Bracket, Spnsn Front Lh	138	163975X428	Cupholder YTGt Black
44	136940	Bracket, Spnsn Front Rh	139	161330	Bolt Shoulder 5/16-18
45	154913	Bracket Asm., Susp Chassis Rh	--	8022J	Plug, Hole
46	19091216	Washer 9/32 x 3/4 x 16 Ga.			
47	17490608	Screw Thdrol 3/8-16 x 1/2			
50	152728	Bracket, Chassis Front			

NOTE: All component dimensions given in U.S. inches
1 inch = 25.4 mm

TRACTOR - - MODEL NO. QPGT25H50A

GROUND DRIVE



TRACTOR - - MODEL NO. QPGT25H50A

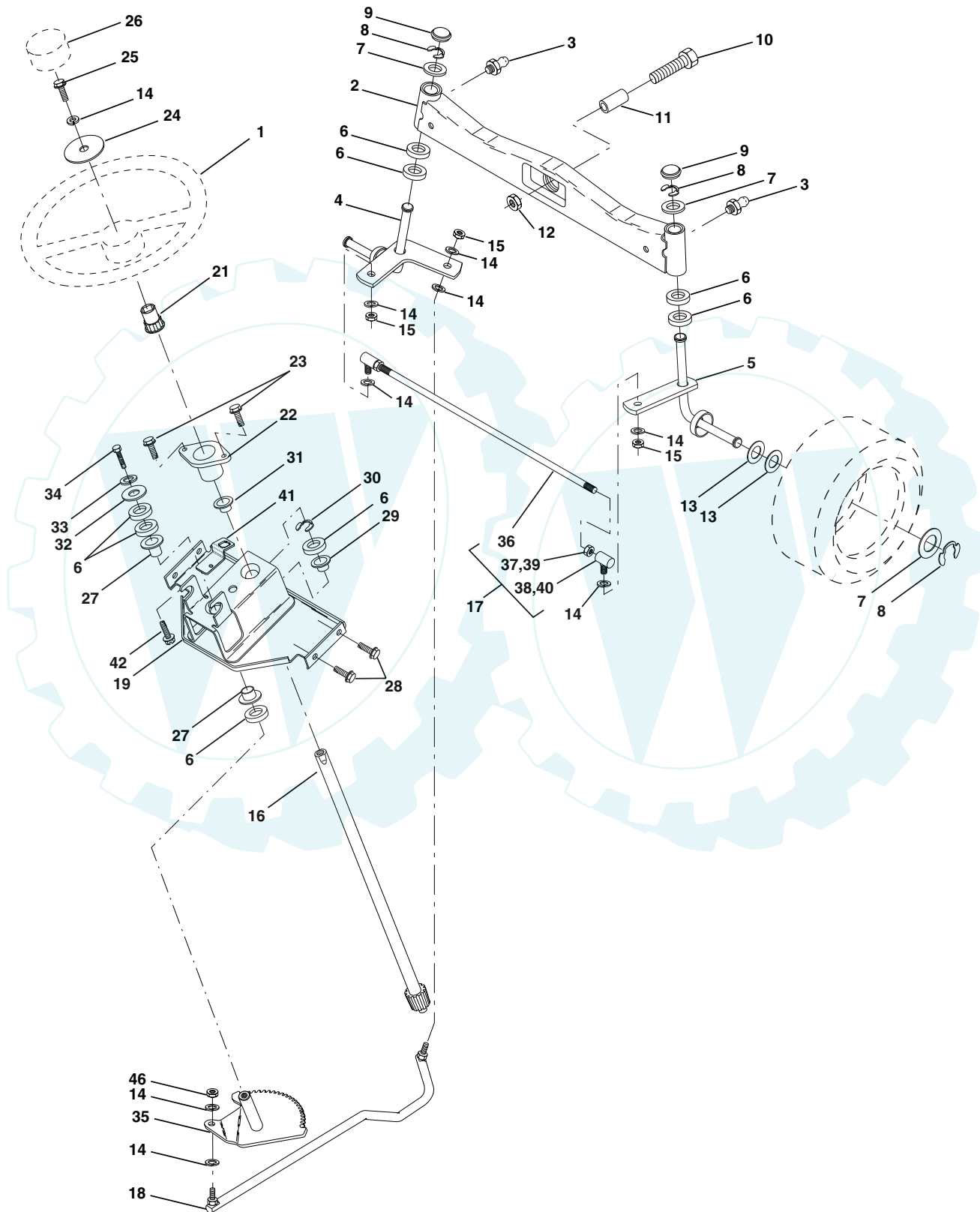
GROUND DRIVE

KEY NO.	PART NO.	DESCRIPTION	KEY NO.	PART NO.	DESCRIPTION
2	7070E	Key 1/4 x 2.5	71	151179	Plate Console Shift
3	7563R	Washer Thrust Axle Harden	72	73800500	Locknut Hex W/Washer Insert
5	73680600	Nut Crownlock 3/8-16	73	74490548	Bolt Hex Flghd 5/16-18 x 3 Gr. 5
6	76020412	Pin Cotter 1/8 x 3/4	74	142432	Screw, Hex Wsh Hi-Lo 1/4-1/2
7	140507	Wheel Hub Asm.	76	140481	Bracket Transaxle
9	140080	Bolt Hub	77	74760716	Bolt Fin Hex 7/16-14 x 1
15	19131316	Washer 13/32 x 13/16 x 16 Ga.	79	72110505	Bolt Carriage 5/16-18 x 5/8
17	140921	Spring Rod Brake	80	140484	Bracket Torque RH
20	73940800	Nut Hex Jam Toplock 1/2-20	81	17490612	Screw Thdrol 3/8-16 x 3/4
22	156103	Shaft Arm Asm	82	150586	Bracket Mount Torque/Fan
23	140845	Knob	83	140479	Strap Torque Mid
28	73350600	Nut, Hex Jam 3/8-16	84	140490	Spacer
29	140494	Brake Rod	85	17541020	Screw #10-24 x 1-1/4
30	19131616	Washer 13/32 x 1 x 14Ga	86	140462	Fan 7" Hydro
33	12000053	Ring E	87	140491	Adapter Fan
34	71673	Cap Plunger	88	161592	Pully Idler V-Groove Flange
35	137648	Rod Parking Brake	89	73680700	Nut, Crownlock 7/16-14
36	149412	Spring Extension	90	140489	Keeper Belt
37	121749X	Washer 25/32 x 1-1/4 x 16 Ga.	91	17490644	Screw Thdrol 3/8-16 x 2-3/4
38	150035	Nyliner	92	74760520	Bolt Fin Hex 5/16-18 x 1.75
39	74321016	Screw Fin #10-24 x 1	93	140502	Link Shift Asm
40	5304J	Actuator Interlock Switch	94	133835	Fastner Christmas Tree
41	73661000	Nut Toplock #10-24 Unc	96	141103	Washer Nickel Plated
42	123533X	Cover Pedal	98	141004	Bracket Shift
46	145170	Retainer Spring	99	17490624	Screw Thdrol 3/8-16 x 1-1/2
47	138228	Clutch Rod	100	126881X	Washer Compression
48	72110612	Bolt Carriage 3/8-16 x 1-1/2 Gr. 5	101	156106	Washer Bellville
50	131494	Pulley Idler Flat	104	140480	Bracket Idler
51	73680600	Nut, Crownlock 3/8-16	105	17580408	Screw Tap 1/4-20 x 1/2
52	139123	Pulley Idler Grooved	106	142918	O-Ring Asm Hydro Gear
53	207J	Washer Hardened	107	154739	Line Fuel Hydro 15" VGT Serv
54	161590	Arm Asm Idler Clutch 98	108	142917	Cap Asm Vent Hydro Gear
55	105706X	Bearing, Idler	109	140929	Spring Return Brake
56	140218	V-Belt	111	156240	Spacer Shift Lever VGTH
58	74760724	Bolt Fin Hex 7/16-14 x 1-1/2	112	156104	Washer Nylon High Temp
61	140488	Pullery Transaxle	113	73220700	Nut Hex ASF 7/16-14 Unc
64	154752	Shaft Asm Brake Parking Clutch	115	123405X	Keeper Belt T/A GND DR LR
65	67609	Bolt Shoulder	116	73900500	Nut Lock Hex Flange 5/16-18
66	140296	Washer Hardened	117	73900600	Nut Lock Flg. 3/8-16 Unc
67	19131312	Washer 13/32 x 13/16 x 12 Ga	118	73800500	Nut Lock Hex w/Ins. 5/16-18 Unc
68	5142H	Pin Roll	--	163198	Transaxle Hydro
69	123800X	Washer			
70	164892X428	Console Hydro Fender			

NOTE: All component dimensions given in U.S. inches
1 inch = 25.4 mm

TRACTOR - - MODEL NO. QPGT25H50A

STEERING ASSEMBLY



TRACTOR - - MODEL NO. QPGT25H50A

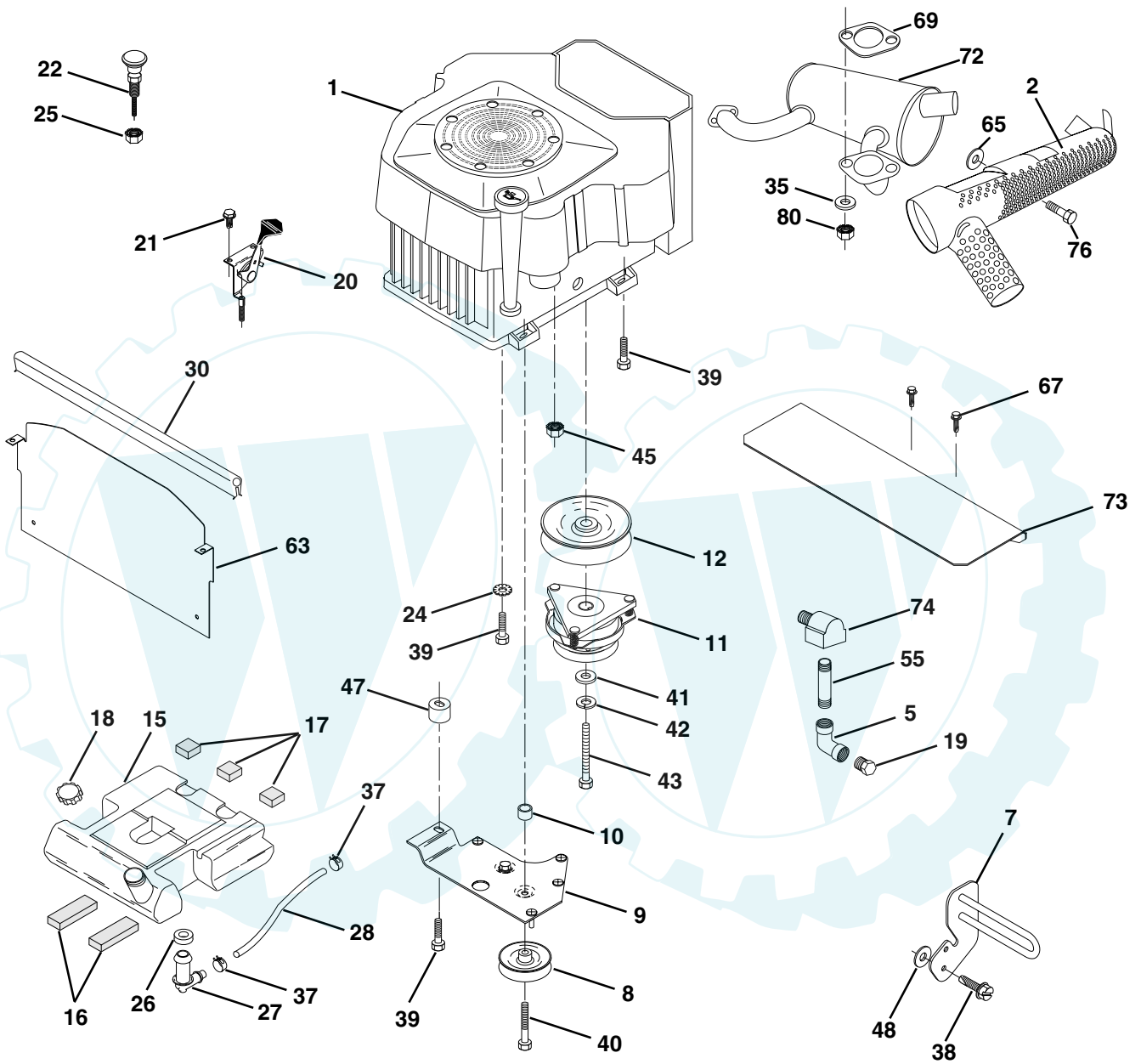
STEERING ASSEMBLY

KEY NO.	PART NO.	DESCRIPTION
1	159944X428	Wheel, Steering
2	137094	Axle Asm., Front
3	6855M	Fitting, Grease
4	161849	Spindle Asm, LH
5	161848	Spindle Asm., RH
6	6266H	Bearing, Race Thrust Harden
7	121748X	Washer 25/32 x 1-5/8 x 16 Ga.
8	12000029	Ring, Klip #T5304-75
9	121232X	Cap, Spindle
10	74781044	Bolt, Fin Hex 5/8-11 x 2-3/4
11	136518	Spacer Brg Axle Front 1.570
12	73901000	Nut, Lock Flange 5/8-11 Unc
13	121749X	Washer 25/32 x 1-1/4 x 16 Ga.
14	10040600	Washer, Lock Hvy Hlcl Spr 3/8
15	7810H	Nut Lock Center 3/8-24 Unf
16	145103	Shaft Asm., Steering
17	137347	Rod Asm., Tie Ball J Ball Vgt (Inc. Key No. 36-40)
18	137155	Draglink, Ball Joint Solid Vgt
19	156011	Support Asm., Steering Vgt
21	159945	Adapter, Wheel Steering
22	155105	Bushing, Strg.
23	152927	Screw
24	19133808	Washer 13/32 x 2-3/8 x 8 Ga.
25	74780616	Bolt, Fin Hex 3/8-16 x 1 Gr. 5
26	159946X428	Cap , Wheel Steering
27	3366R	Bearing, Col. Strg.
28	17000612	Screw 3/8-16 x 3/4
29	104239X	Bearing, Flange
30	12000029	Ring, Klip Truarc #5304-75
31	138136	Bushing, Nyliner Snap
32	19111610	Washer 11/32 x 1 x 10 Ga.
33	10040500	Washer, Lock Hvy Hlcl Spr 5/16
34	74760512	Bolt, Hex Hd 5/16-18 x 3/4
35	138059	Gear, Sector Steering
36	137156	Tie Rod
37	73360600	Jam Nut RH Thread
38	109850X	Joint Asm. Ball RH Thread
39	73700600	Jam Nut LH Thread
40	109851X	Joint Asm. Ball LH Thread
41	155246	Bracket Switch Inerlock VGT97
42	17490508	Screw Thdrol 5/16-18 x 1/2 TYT

NOTE: All component dimensions given in U.S. inches
1 inch = 25.4 mm

TRACTOR - - MODEL NO. QPGT25H50A

ENGINE



SPARK ARRESTER KIT

TRACTOR - - MODEL NO. QPGT25H50A

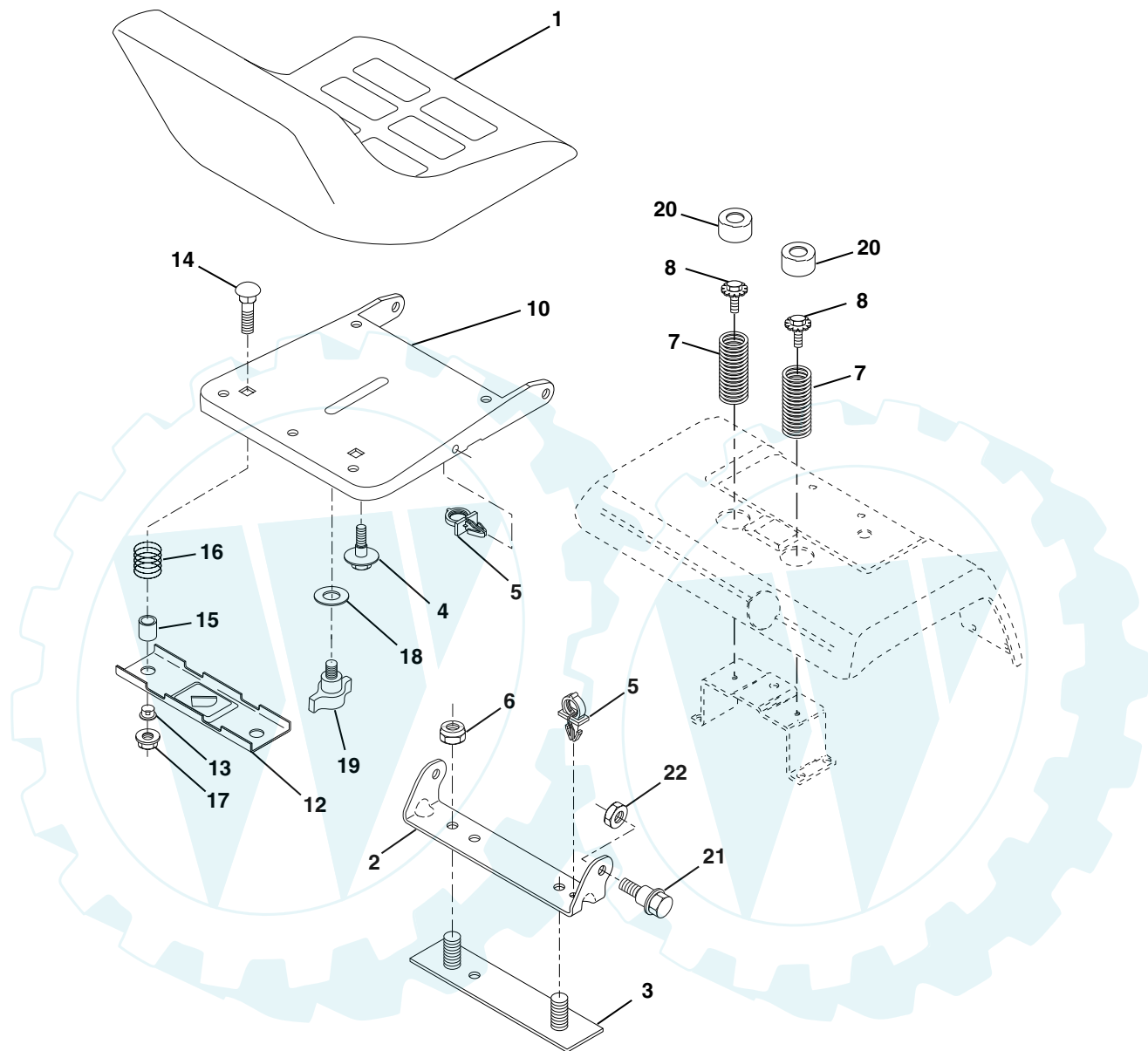
ENGINE

KEY NO.	PART NO.	DESCRIPTION
1	-----	Engine Kohler, Model No. CV25 (Order parts from engine manufacturer)
2	150249	Muffler VGT Side Mount
5	13200300	Elbow STD 90 Degree 3/8 - 18 NPT
7	151396	Muffler Assembly Guard
8	121361X	Pulley V-Idler
9	150828	Keeper Asm. Belt Engine VGT
10	105432X	Bushing
11	140923	Clutch Electric
12	143996	Pulley Engine VGT Elect Clutch
15	151346	Tank Fuel Rear 3.50
16	109227X	Pad Spacer
17	106082X	Pad Spacer
18	140527	Cap Asm Fuel W/Sym Vented
19	13290300	Plug Oil Drain (Order From Engine Manufacturer)
20	142168	Control Throttle
21	17720410	Screw Hex Thd Cut 1/4 - 20 X 5/8
22	145996	Control Choke
24	11050600	Washer Ext Tooth 3/8
25	73920600	Nut Keps 3/8-24 Unf
26	3645J	Bushing
27	139277	Stem Tank Fuel
28	7834R	Fuel Line
29	132920	Spark Arrester Kit
30	161547	Extrusion Hood
35	10010500	Washer
37	123487X	Clamp Hose
38	17060620	Screw 3/8-16 x 1-1/4
39	17490636	Screw TT 3/8-16 x 2-1/4 UNC
40	17490664	Screw TT 3/8-16 x 4 UNC
41	126197X	Washer 1-1/2 OD X 15/32 ID X .250
42	10040700	Washer Lock 7/16
43	150280	Bolt Hex 7/16-20 X 4-1/4 Ga 5
47	142040	Spacer Engine CV22 Round PM
48	19132007	Washer 13/32 x 1-1/4 x 7 Ga.
55	13280336	Nipple, Pipe 4-1/2
63	145549	Shield, at VGT 22 HP YP/Husq.
65	19131614	Washer 13/32 x 1 x 14 Ga.
67	17060512	Screw 5/16-18 x 3/4
69	24-041-02	Gasket
72	150250	Muffler VGT
73	153992	Heat Shield Kohler 25
74	162295	Elbow Street Brass
80	M73030800	Nut Flange M8-1.25 Non-Lk. Zinc

NOTE: All component dimensions given in U.S. inches
1 inch = 25.4 mm

TRACTOR - - MODEL NO. QPGT25H50A

SEAT ASSEMBLY



KEY NO.	PART NO.	DESCRIPTION
1	127440	Seat
2	140551	Bracket, Pivot Seat
3	140675	Strap, Fender
4	127018X	Bolt, Shoulder 5/16-18 X .62
5	145006	Clip, Push In Hinged
6	73680600	Nut, Crownlock 3/8-16 Unc
7	124181X	Spring, Seat Cprsn
8	171877	Bolt 5/16-18 UNC X 3/4
10	155925	Pan, Seat
12	121246X	Bracket, Mounting Switch
13	121248X	Bushing, Snap

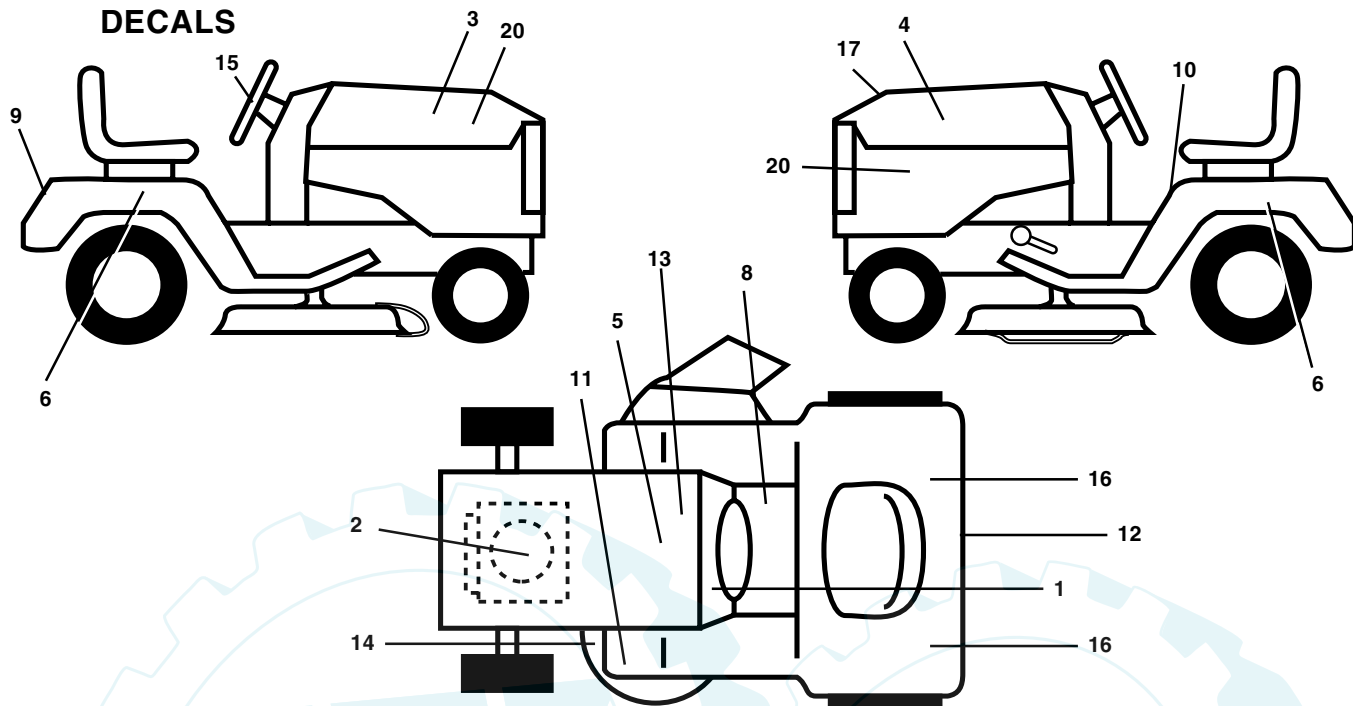
KEY NO.	PART NO.	DESCRIPTION
14	72050412	Bolt, Carriage 1/4-20 X 1-1/2
15	121249X	Spacer, Split
16	123740X	Spring, Cprsn
17	123976X	Nut, Lock 1/4 Lge Fig Gr. 5
18	19171912	Washer 17/32 X 1-3/16 X 12 Ga.
19	166369	Knob, Seat
20	124238X	Cap, Spring Seat
21	171852	Bolt, Shoulder 5/16-18 Unc
22	73680500	Nut, Crownlock 5/16-18 Unc

NOTE: All component dimensions given in U.S. inches
1 inch = 25.4 mm

REPAIR PARTS

TRACTOR - - MODEL NO. QPGT25H50A

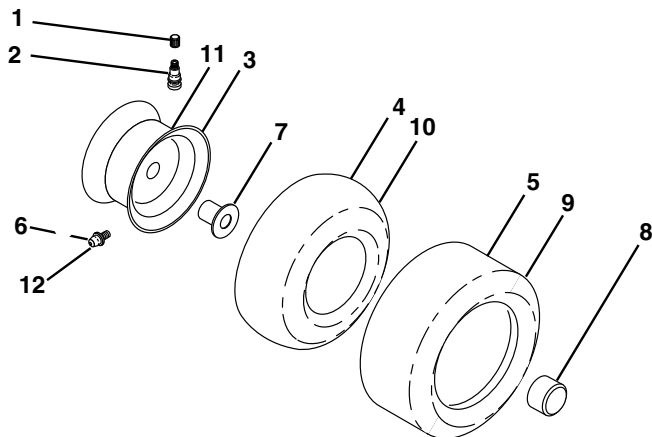
DECALS



KEY NO.	PART NO.	DESCRIPTION
1	156964	Decal, Operating Instruction
2	172863	Decal, Engine
3	172840	Decal, Hood, RH
4	172841	Decal, Hood, LH
5	168427	Decal, Battery
6	172670	Decal, Fender Auto
7	137259	Decal, Warning Multi-Language
8	140837	Decal, Brake Parking Saddle
9	172596	Decal, Fender
10	157140	Decal, Danger
11	101892X	Decal, Clutch/Brake

KEY NO.	PART NO.	DESCRIPTION
12	142342	Decal, D-Bar Ctrl. Mvt Hyd YT/GT
13	145005	Decal, Bat. DAN/POI P/L Symbols
14	160397	Decal, V-Belt Schematic
15	172595	Decal, Ins. Strg Whl
16	106202X	Reflector Tail Light
17	172920	Decal, RPLT
20	172597	Decal, Side Pnl
--	138311	Decal, Handle Lft Height Adjust (Lift Handle)
--	133671	Pad Footrest
--	173030	Manual, Owner's (English)

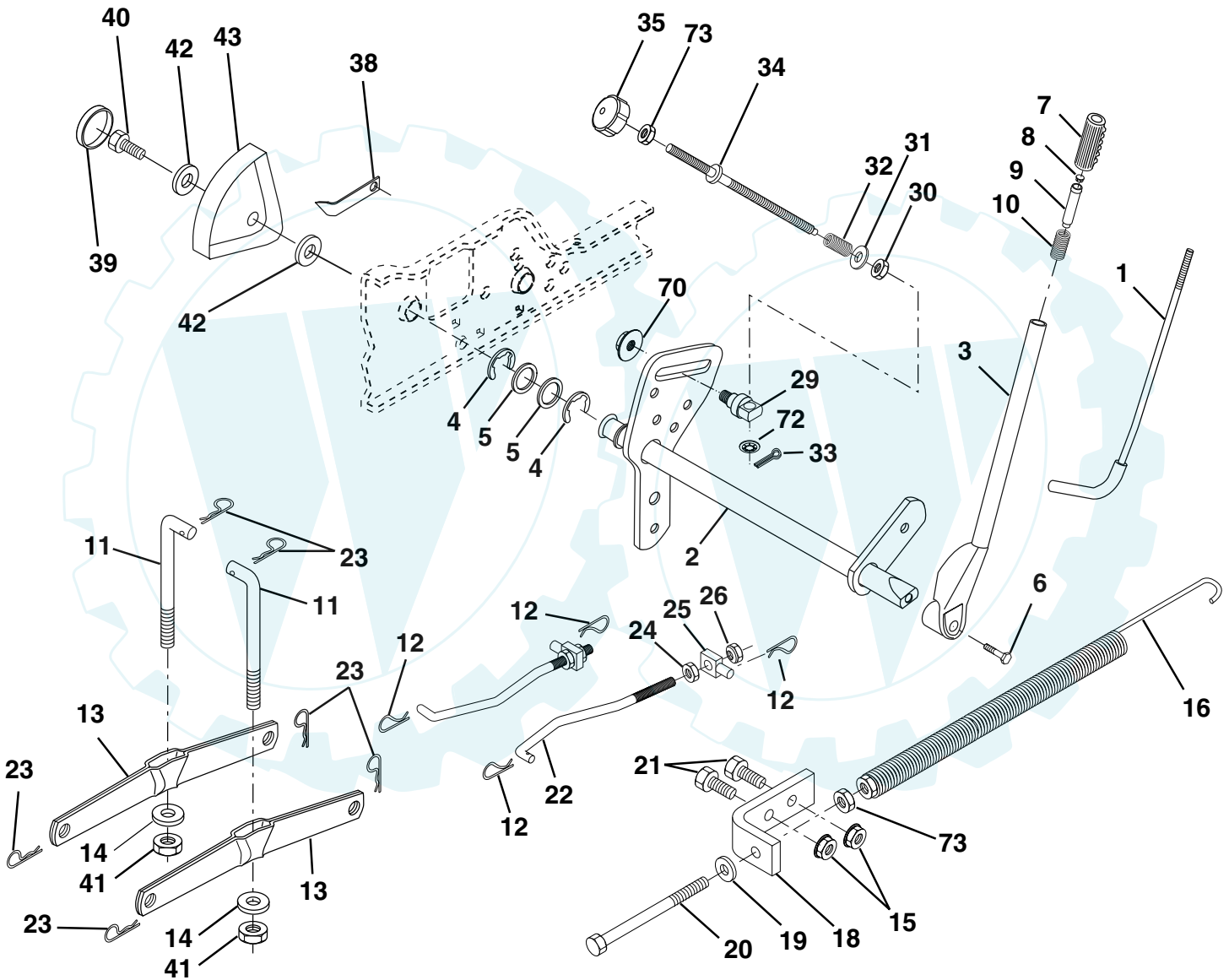
WHEELS & TIRES



KEY NO.	PART NO.	DESCRIPTION
1	59192	Cap, Valve, Tire
2	65139	Stem, Valve
3	106228X421	Rim Assembly, Front
4	8134H	Tube, Front (Service Item Only)
5	106230X	Tire, Front
6	278H	Fitting, Grease
7	9040H	Bearing, Flange (Front Wheel Only)
8	104757X	Cap, Hub
9	105588X	Tire, Rear
10	7154J	Tube, Rear (Service Item Only)
11	106277X421	Rim Assembly, Rear
12	6856M	Fitting, Grease
--	144334	Sealant, Tire (10 oz. Tube)

NOTE: All component dimensions given in U.S. inches
1 inch = 25.4 mm

LIFT ASSEMBLY



TRACTOR - - MODEL NO. QPGT25H50A

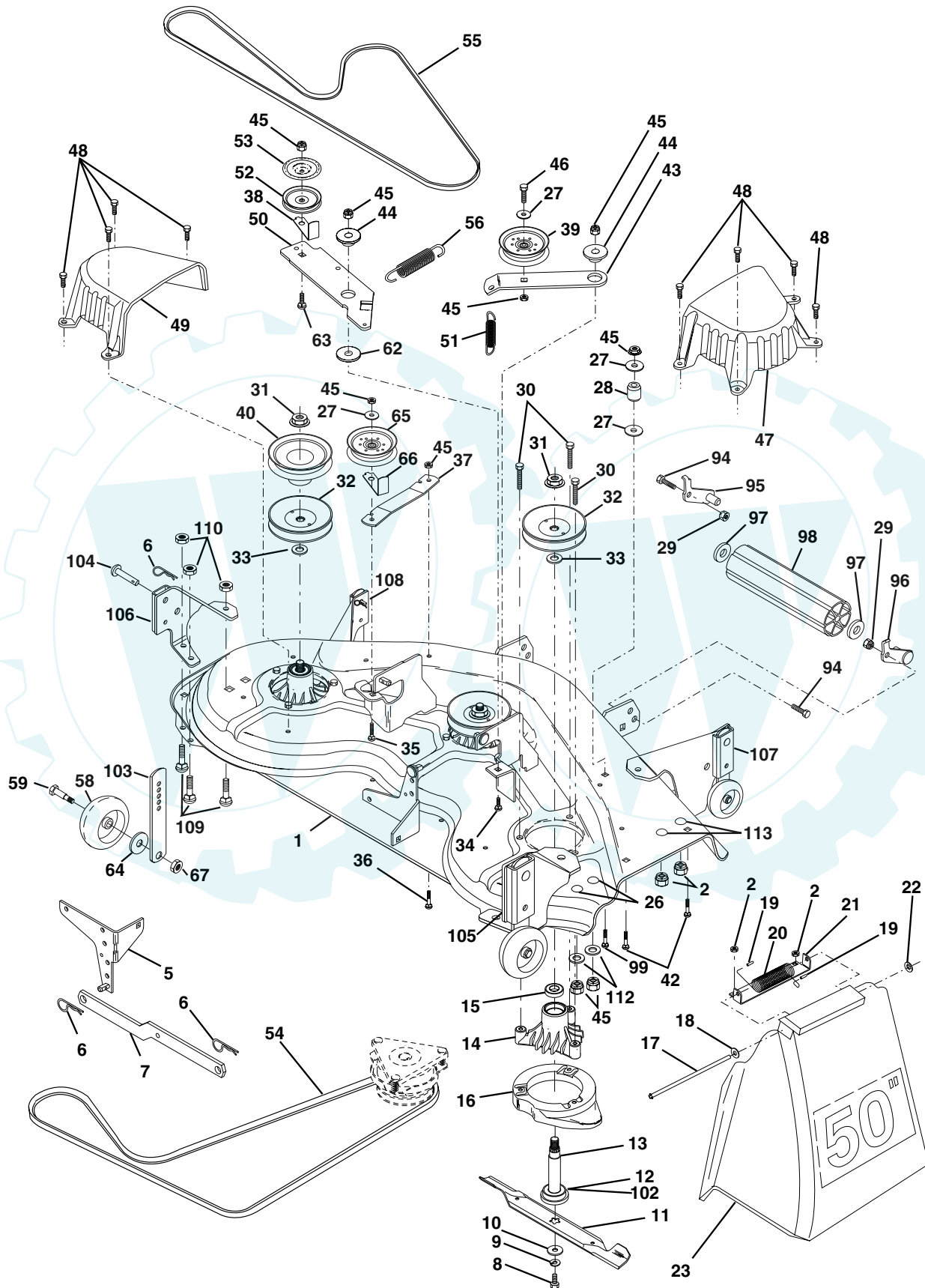
LIFT ASSEMBLY

KEY NO.	PART NO.	DESCRIPTION
1	121006X	Rod Asm., Lever
2	159187	Shaft Asm., Lift Vgt
3	159189	Lever Asm., Lift Rh
4	12000022	E-Ring Truarc #5133-87
5	19292016	Washer 29/32 x 1-1/4 x 16 Ga.
6	71110624	Bolt, Fin Hex 3/8-16 x 1-1/2
7	125631	Grip, Handle
8	124526X	Button, Plunger
9	122364X	Plunger, Lever Lift
10	2876H	Spring 2-1/8"
11	146704	Link Lift
12	163552	Retainer, Spring
13	139868	Arm, Suspension Vgt
14	140302	Bearing
15	73680600	Nut, Crownlock 3/8-16
16	674A247	Spring Asm., Assist Lift
17	73350600	Nut, Hex Jam 3/8-16 Unc
18	143363	Bracket, Spring Assist
19	19131316	Washer 13/32 x 13/16 x 16 Ga.
20	5328J	Bolt, Adjust Spring Assist
21	74760616	Bolt, Fin Hex 3/8-16 x 1
22	127218	Link, Front
23	4939M	Retainer, Spring
24	73350800	Nut, Jam Hex 1/2-13 Unc
25	130171	Trunnion
26	73800800	Nut, Lock W/Wsh 1/2-13 Unc
29	150233	Trunnion Infin Height
30	110807X	Nut, Special
31	19131016	Washer 13/32 x 5/8 x 16 Ga.
32	137150	Spring, Compression Inf Hgt
33	76020308	Pin, Cotter 3/32 x 1/2
34	137167	Rod, Adj Lift
35	138057	Knob, Inf 3/8-16 Unc
38	155097	Pointer Height Indicator
39	123935X	Plug, Hole Blk. 1.485/1.515 Dia.
40	17490512	Screw Thdrol 5/16-18 x 3/4
41	73540600	Nut, Crownlock 3/8-24
42	19112410	Washer 11/32 x 1-1/2 x 10 Ga.
43	123934X	Scale, Indicator Height
70	145212	Nut Hex Flange Lock
72	110452X	Nut Push Phos & Oil

NOTE: All component dimensions given in U.S. inches
1 inch = 25.4 mm

TRACTOR - - MODEL NO. QPGT25H50A

MOWER DECK



TRACTOR - - MODEL NO. QPGT25H50A

MOWER DECK

KEY NO.	PART NO.	DESCRIPTION	KEY NO.	PART NO.	DESCRIPTION
1	156990	Deck Asm., Mower 50" Vented	48	137729	Screw, Thd Roll 1/4-20 x 5/8
2	73680500	Nut, Crownlock 5/16-18	49	136574	Cover, Mandrel LH
5	138457	Bracket Asm., Sway Bar	50	137272	Arm, Idler Primary
6	4939M	Retainer, Spring	51	137273	Spring, Secondary
7	130832	Arm Suspension, Rear	52	139245	Pulley, Idler V Groove
8	850857	Bolt 3/8-24 x 1.25 Gr. 8 Patched	53	137789	Shield, Idler
9	10030600	Washer, Lock Hvy 3/8 Unplated	54	139573	V-Belt, Mower Primary
10	140296	Washer, Hard Blade Mower Vented	55	144959	V-Belt, Mower Secondary
11	137380	Blade (3 Required)	56	138687	Spring, Primary
12	129895	Bearing, Ball #6204 (Mandrel)	58	133957	Wheel, Gauge
13	137553	Shaft Asm., W/Lower Brg (Includes Key No. 12)	59	137644	Bolt, Shoulder
14	137152	Housing, Mandrel 50" Vent	62	133943	Washer Hardened
15	110485X	Bearing, Ball Mandrel	63	72110612	Bolt Carriage 3/8-16 x 1-1/2
16	140329	Stripper, Mower Vented	64	19121414	Washer 3/8 x 7/8 x 14 Ga.
17	106735X	Rod, Hinge	65	151831	Pulley Idler Flat Mower
18	19111016	Washer 11/32 x 5/8 x 16 Ga.	66	156009	Keeper, Belt Idler 50" Vent
19	105304X	Cap Sleeve	67	73930600	Nut, Center Lock 3/8-16
20	123713X	Spring, Torison Deflector	94	74760616	Bolt H 3/8-16 x 1
21	137607	Bracket, Deflector	95	132274	Bracket, Asm. Noseroller LH
22	110452X	Nut, Push	96	132273	Bracket, Asm. Noseroller RH
23	110509X	Shield, Deflector Mower	97	19171416	Washer 17/32 x 7/8 x 16 Ga.
25	19111216	Washer 11/32 x 3/4 x 16 Ga.	98	132264	Roller, Nose
26	72110606	Bolt RdHd Sht Sqnk	99	72110614	Bolt, Carriage 3/8-16 x 1-3/4 Gr. 5
27	19131316	Washer 13/32 x 13/16 x 16 Ga.	102	153390	Washer Felt
28	132823	Spacer, Spring Stop Idler	103	155986	Bar Adj. Gauge Wh.
29	73800600	Nut, Lock Hex W/Wsh 3/8-16 Unc	104	156941	Pin Head Rivot
30	157722	Screw Thd Rolling Washer Head	105	156852	Bracket Ga Wh Asm RH 50
31	137266	Nut, Flg Top Lock Cntr 9/16	106	156853	Bracket Ga Wh Asm LH 50
32	153535	Pulley, Mandrel	107	156854	Bracket Ga Wh Assy F RH 50
33	129963	Washer, Spacer Mower Vented	108	156856	Bracket Ga Wh Assy F LH 50
34	72140610	Bolt, Carriage 3/8-16 x 1-1/4	109	72010505	Bolt Carriage 5/16- 18 x 5/8
35	72110616	Bolt, Carriage 3/8-16 x 2	110	73980500	Nut Crownlock 5/16-18
36	72110608	Bolt, Carriage 3/8-16 x 1 Gr. 5	112	19171216	Washer 17/32 x 3/4 x 16 Ga.
37	137166	Stiffener, Arm Idler	113	72110504	Bolt Carriage 5/16-Unc 1/2
38	156085	Keeper, Belt Idler	--	143651	Mandrel Asm (Includes Key Nos. 8-10, 12-15, 31 and 33)
39	131494	Pulley, Idler Flat	--	158325	Mower Asm Service (Std. Deck - Order separately all Nose Roller and all Gauge Wheel components)
40	136572	Pulley, Driven			
42	72140506	Bolt, Carriage 5/16-18 Unc x 3/4			
43	136460	Arm, Idler Secondary			
44	165723	Spacer, Retainer			
45	73680600	Nut, Crownlock 3/8-16 Unc			
46	74760628	Bolt, Fin Hex 3/8-16 Unc x 1-3/4			
47	137200	Cover, Mandrel RH			

NOTE: All component dimensions given in U.S. inches
1 inch = 25.4 mm