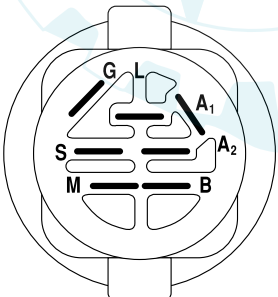
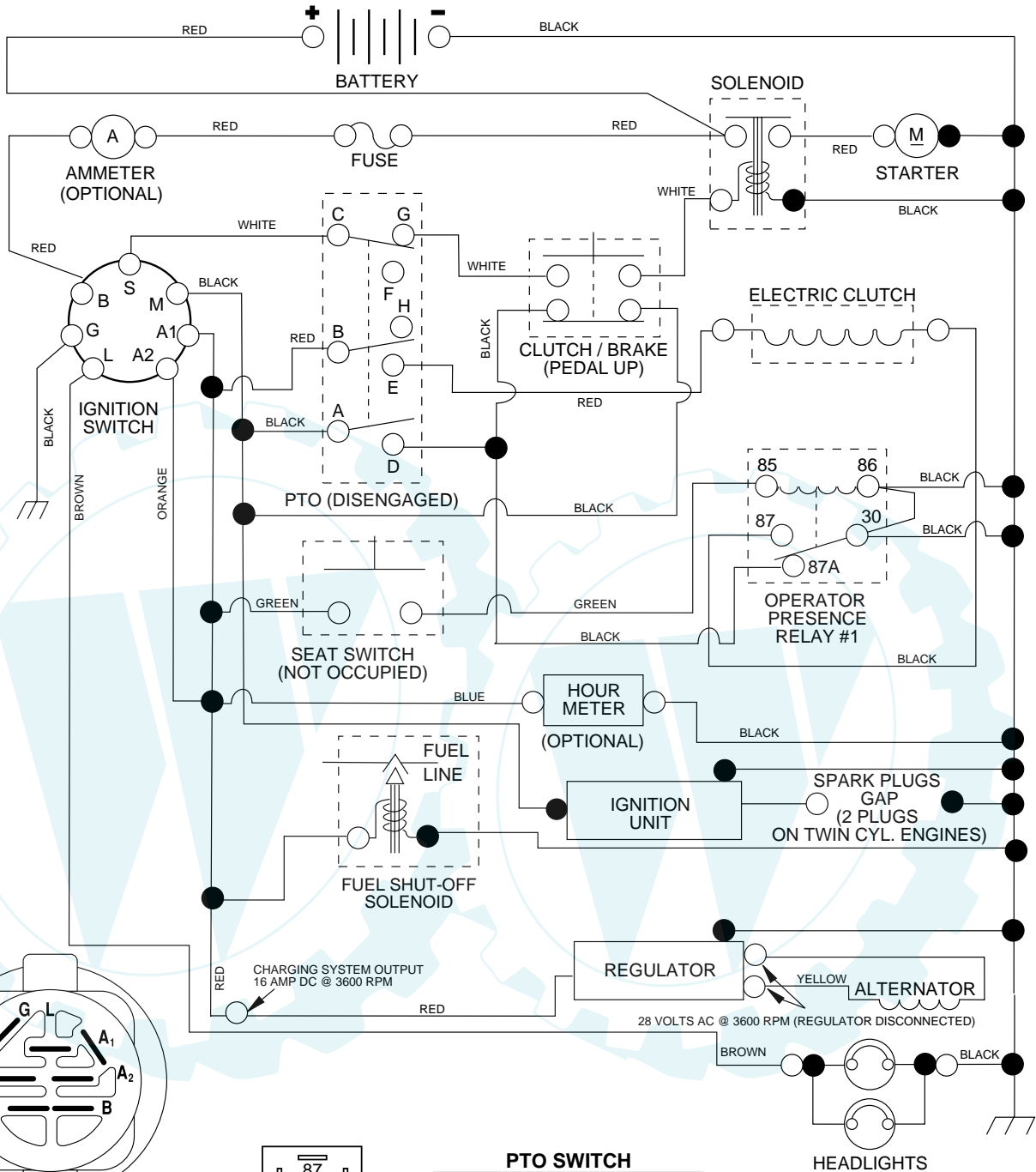
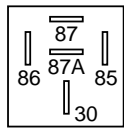


SCHEMATIC



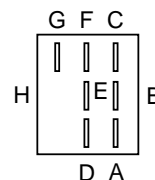
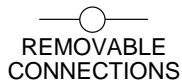
IGNITION SWITCH

POSITION	CIRCUIT	"MAKE"
OFF	M + G + A1	NONE
ON + LIGHTS	B + A1	L + A2
ON	B + A1	NONE
START	B + S + A1	NONE

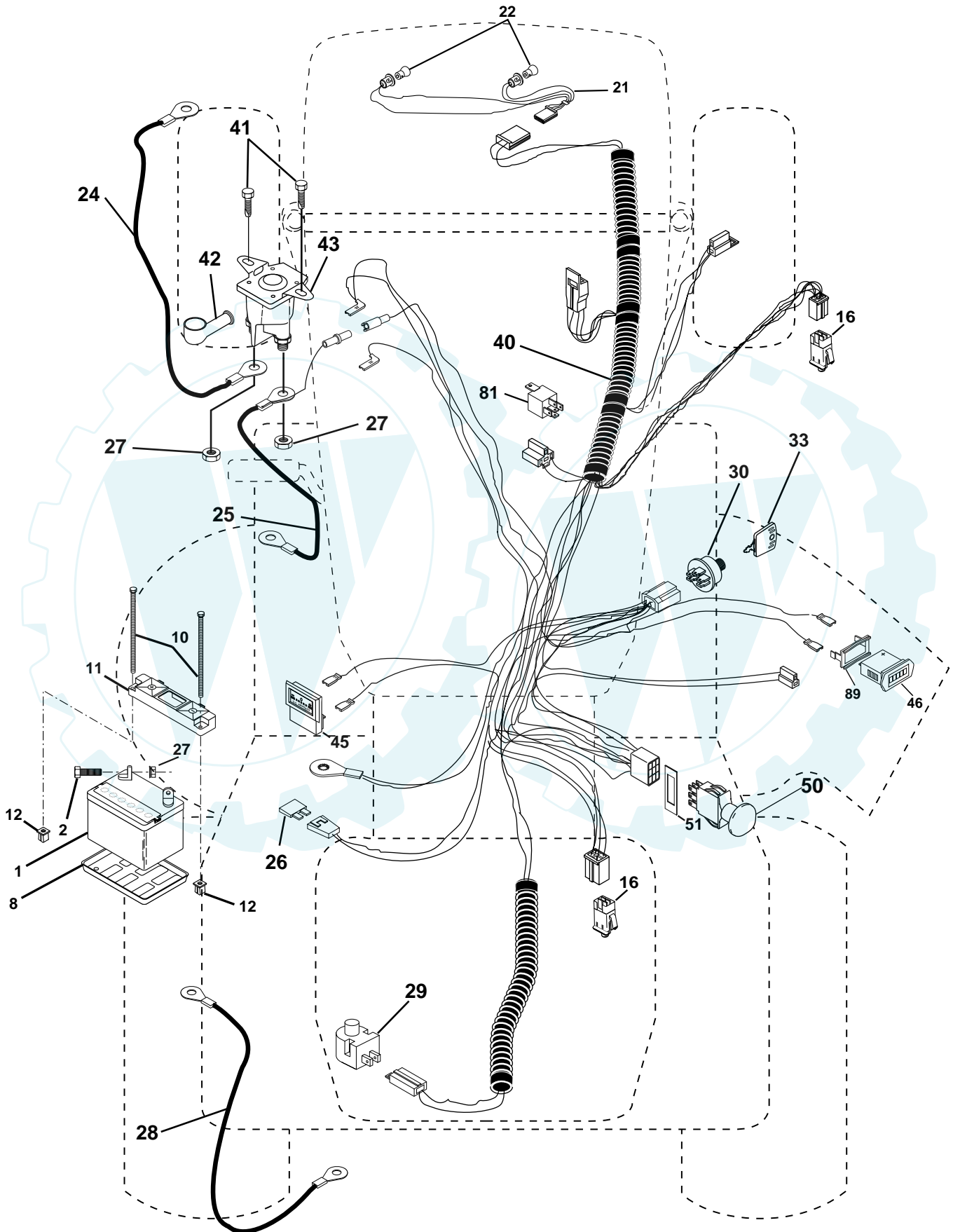


RELAY

PTO SWITCH	
POSITION	CIRCUIT
OFF	C + G, B + H
ON	C + F, B + E, A + D



WIRING INSULATED CLIPS
NOTE: IF WIRING INSULATED CLIPS WERE REMOVED FOR SERVICING OF UNIT, THEY SHOULD BE REPLACED TO PROPERLY SECURE YOUR WIRING.



TRACTOR - - MODEL NUMBER QPGT22H46B

ELECTRICAL

KEY NO.	PART NO.	DESCRIPTION
1	144926	Battery
2	74760412	Bolt Hex Head 1/4-20 x 3/4
8	7603J	Tray, Battery
10	145211	Bolt Btr Frt 1/4-20 X 7.5 zinc
11	150109	Holdown Battery Front Mount
12	145769	Nut Push Nylon 1/4"
16	153664	Switch Interlock Push-In
21	166182	Harness Socket Light
22	4152J	Bulb Light
24	4206J	Cable, Battery
25	146149	Cable, Battery
26	108824X	Fuse
27	73510400	Nut Keps Hex 1/4-20
28	170697	Cable, Ground
29	160784	Switch, Plunger
30	163968	Switch, Ign
33	140401	Key
40	170238	Harness, Ignition
41	17720408	Screw 1/4-20 x 1/2
42	131563	Cover, Terminal Red
43	145673	Solenoid
45	122822X	Ammeter
46	169635	Meter Hour
50	169417	Switch, PTO
51	140405	Ring Retainer PTO
81	109748X	Relay Asm.
89	169639	Bracket Snap-IN Hourmeter

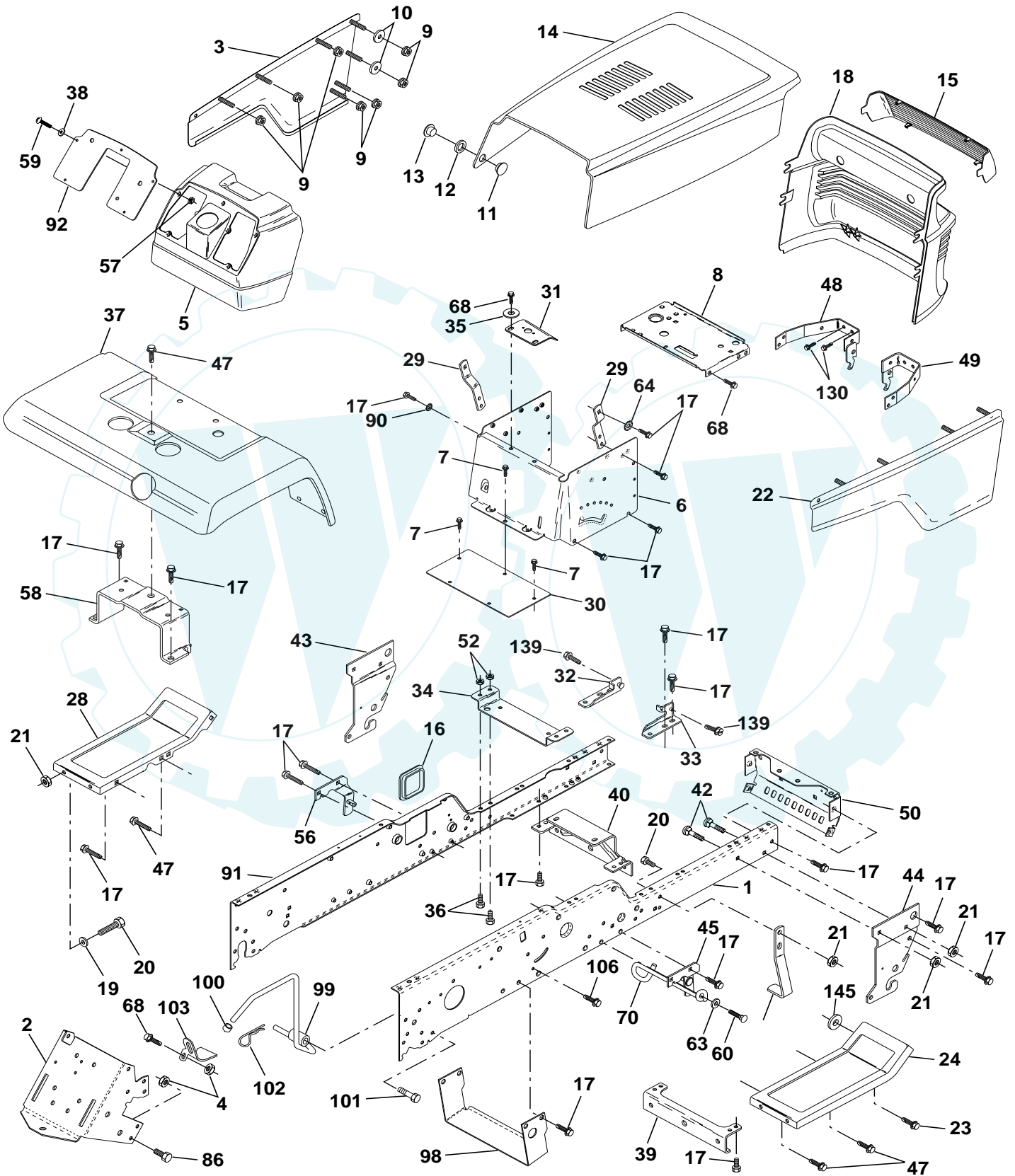
NOTE: All component dimensions given in U.S. inches
1 inch = 25.4 mm

REPAIR PARTS

www.ersatzteil-service.de

TRACTOR - - MODEL NUMBER QPGT22H46B

CHASSIS AND ENCLOSURES



TRACTOR - - MODEL NUMBER QPGT22H46B

CHASSIS AND ENCLOSURES

KEY NO.	PART NO.	DESCRIPTION	KEY NO.	PART NO.	DESCRIPTION
1	150253	Rail, Frame RH	42	72140608	Bolt RDHD SQNK 3/8-16unc x 1
2	140506	Drawbar, Gt	43	136939	Bracket, Spnsn Front Lh
3	136671X428	Panel Asm., Side LH	44	136940	Bracket, Spnsn Front Rh
4	73680700	Nut, Lock Hex 7/16 Unc	45	154913	Bracket Asm., Susp Chassis Rh
5	170119	Dash, Plastic Black	47	17490608	Screw Thdrol 3/8-16 x 1/2
6	157882	Dash, Lower Vgt One-Piece	48	157105	Bracket Asm Hood Lh
7	17720408	Screw, Thd Cut 1/4-20 x 1/2	49	157107	Bracket Asm Hood Rh
8	145166	Support, Battery	50	152728	Bracket, Chassis Front
9	108067X	Nut, Pal	52	73680500	Nut, Crownlock 5/16-18
10	19092016	Washer 9/32 x 1-1/4 x 16	56	154914	Bracket Asm., Susp Chassis Lh
11	137270	Rivet Ratchet Male	57	73640400	Nut Keps Blk Hex 1/4-20
12	137269	Washer Nylon	58	137113	Bracket Asm., Fender
13	137271	Rivet Ratchet Female	59	74180412	Screw Mach Cr 1/4-20 x 3/4
14	136673X428	Hood, Asm Pnt	60	17490620	Screw Thdrol 3/8-16 x 1-1/4
15	136374X599	Lens, Clip Asm, Bar, Clear	63	19131614	Washer 13/32 x 1 x 14 Ga.
16	121794X	Cover, Access	64	144283	Washer Serrated Disc 13/32 x 1
17	17000612	Screw 3/8-16 x 3/4	68	17490508	Screw, Thdrol 5/16-18 x 1/2
18	136373X428	Grille	70	137159	Guide, Belt Mid Span
19	19131312	Washer 13/32 x 13/16 x 12 Ga.	84	142992	Stop, Over Center Mower
20	74760616	Bolt, Fin Hex 3/8-16 x 1	86	74760716	Bolt, Fin Hex 7/16-14 Unc x 1
21	73800600	Nut, Crownlock 3/8-16 Unc	90	11050600	Washer, Lock External Tooth 3/8
22	136670X428	Panel Asm., Side RH	91	170755	Rail, Frame Lh
23	17490616	Screw, Thdrol 3/8-16 x 1 Ty-Tt	92	170086X011	Plate, Silkscreen Dash
24	145243X428	Footrest, RH	98	140503	Bracket, Chassis Skid
28	145244X428	Footrest, LH	99	140871	Rod By Pass
29	145349	Bracket, Support Dash	100	124236X	Cap By Pass Rod
30	145052	Saddle, Hydro 1995	101	17490628	Screw Thdrol 3/8-16 x 1-3/4
31	161419	Bracket Support	102	4497H	Retainer, Spring
32	161327	Bracket Asm., Frame Pivot Lh	103	142273	Lock By Pass/Bracket
33	161326	Bracket Asm., Frame Pivot Rh	106	138776	Screw, Thdrol Hex Head Zinc Mwr
34	142131	Bracket, Engine Support Rear	130	164863	Screw Hw Hd Hi-Lo #13-16 x 3/4
35	19111116	Washer 11/32 x 11/16 x 16 Ga.	139	161330	Bolt Shoulder 5/16-18
36	74780512	Bolt, Fin Hex 5/16-18 x 3/4	145	19131414	Washer Flat 13/32 x 7/8 x 14 Ga.
37	167287X428	Fender, Pnt.	--	8022J	Plug, Hole
38	19091216	Washer 9/32 x 3/4 x 16			
39	136961	Bracket, Axle Front			
40	156111	Bracket, Support Axle/Engine			

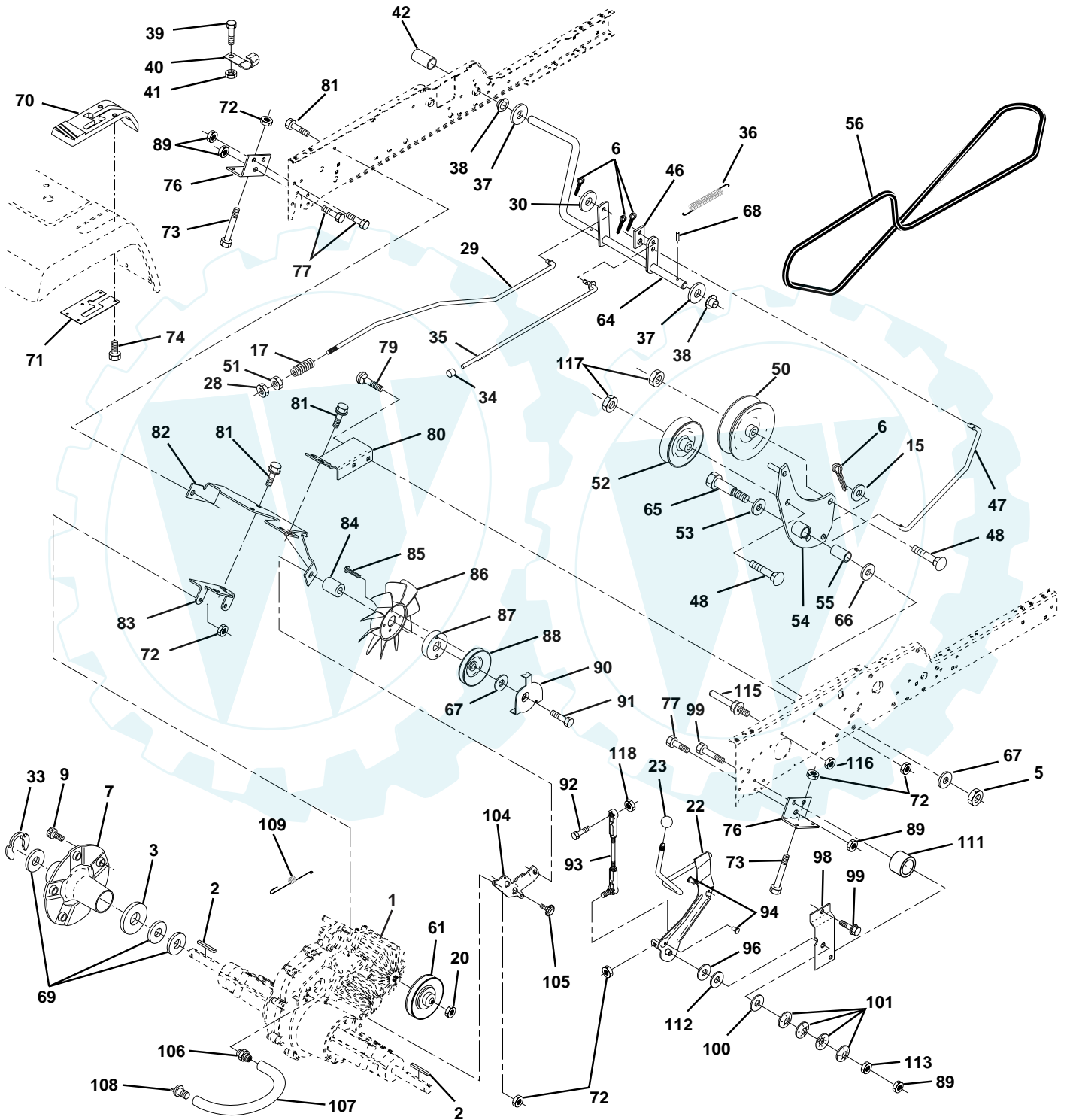
NOTE: All component dimensions given in U.S. inches
1 inch = 25.4 mm

REPAIR PARTS

www.ersatzteil-service.de

TRACTOR - - MODEL NUMBER QPGT22H46B

GROUND DRIVE



TRACTOR - - MODEL NUMBER QPGT22H46B

GROUND DRIVE

KEY NO.	PART NO.	DESCRIPTION	KEY NO.	PART NO.	DESCRIPTION
1	-----	Transaxle, Hydro 222-3010 (Order Parts From Transaxle Manufacturer)	70	164892X428	Console Hydro Fender
2	7070E	Key 1/4 x 2.5	71	151179	Plate Console Shift
3	7563R	Washer Thrust Axle Harden	72	73800500	Locknut Hex W/Washer Insert
5	73680600	Nut Crownlock 3/8-16	73	74490548	Bolt Fin Hex 5/16-18 x 3
6	76020412	Pin Cotter 1/8 x 3/4	74	142432	Screw Hex Wsh. Hi-Lo 1/4-1/2
7	140507	Wheel Hub Asm.	76	140481	Bracket Transaxle
9	140080	Bolt Hub	77	74760716	Bolt Fin Hex 7/16-14 x 1
15	19131316	Washer 13/32 x 13/16 x 16 Ga	79	72110505	Bolt Carriage 5/16-18 x 5/8
17	140921	Spring Rod Brake	80	140484	Bracket Torque RH
20	73940800	Nut Hex Jam Toplock 1/2-20	81	17490612	Screw Thdrol 3/8-16 x 3/4
22	156103	Shift Arm Asm	82	150586	Bracket Mount Torque/Fan
23	140845	Knob	83	140479	Strap Torque Mid
28	73350600	Nut Hex Jam 3/8-16	84	140490	Spacer
29	140494	Brake Rod	85	17541020	Screw #10-24 x 1-1/4
30	19131616	Washer 13/32 x 1 x 16 Ga.	86	140462	Fan 7" Hydro
33	12000053	Ring E	87	140491	Adapter Fan
34	71673	Cap Brake Parking	88	161592	Pulley Idler
35	137648	Rod Parking Brake	89	73680700	Nut Crownlock 7/16-14 UNC
36	149412	Spring Drive Ground	90	140489	Keeper Belt
37	121749X	Washer 25/32 x 1-1/4 x 16 Gauge	91	17490644	Screw Thdrol 3/8-16 x 2-3/4
38	150035	Nyliner, Bushing	92	74760520	Bolt Fin Hex 5/16-18 x 1.25
39	74321016	Screw Fin #10-24 x 1	93	140502	Link Shift Asm
40	5304J	Actuator Interlock Switch	94	133835	Fastner Christmas Tree
41	73661000	Nut Lock #10-24	96	141103	Washer Nickel Plated
42	123533X	Cover Pedal	98	141004	Bracket Shift
46	145170	Retainer Spring	99	17490624	Screw Thdrol 3/8-16 x 1-1/2
47	138228	Clutch Rod	100	126881X	Washer Compression
48	72110612	Bolt Carriage 3/8-16 x 1-1/2 Gr 5	101	156106	Washer Bellville
50	131494	Pulley Idler Flat	104	140480	Bracket Idler
51	73800600	Nut Crownlock 3/8-16 UNC	105	17580408	Screw Tap 1/4-20 x 1/2
52	139123	Pulley Idler Grooved	106	142918	O-Ring Asm Hydro Gear 70110
53	207J	Washer Hardened	107	154739	Line Fuel Hydro 15" VGT Serv
54	161590	Clutch Arm Asm	108	142917	Cap Asm Vent Hydro Gear 70109
55	105706X	Bearing, Idler	109	140929	Spring Return Brake
56	140218	V-Belt	111	156240	Spacer Shift Lever VGTH
58	74760724	Bolt Fin Hex 7/16-14 x 1-1/2	112	156104	Washer Nylon High Temp
61	140488	Pullery Transaxle	113	73220700	Nut Hex ASF 7/16-14 UNC
64	154752	Shaft Asm Brake Parking Clutch	115	123405X	Keeper Belt T/A Gnd Dr LR
65	67609	Bolt Shoulder	116	73900500	Nut Lock Hex Flange 5/16-18
66	140296	Washer Hardened	117	73900600	Nut Lock Flg. 3/8-16 UNC
67	19131312	Washer 13/32 x 13/16 x 12 Ga	118	73800500	Nut Lock Hex w/Ins 5/16-18 UNC
68	5142H	Pin Roll			
69	123800X	Washer			

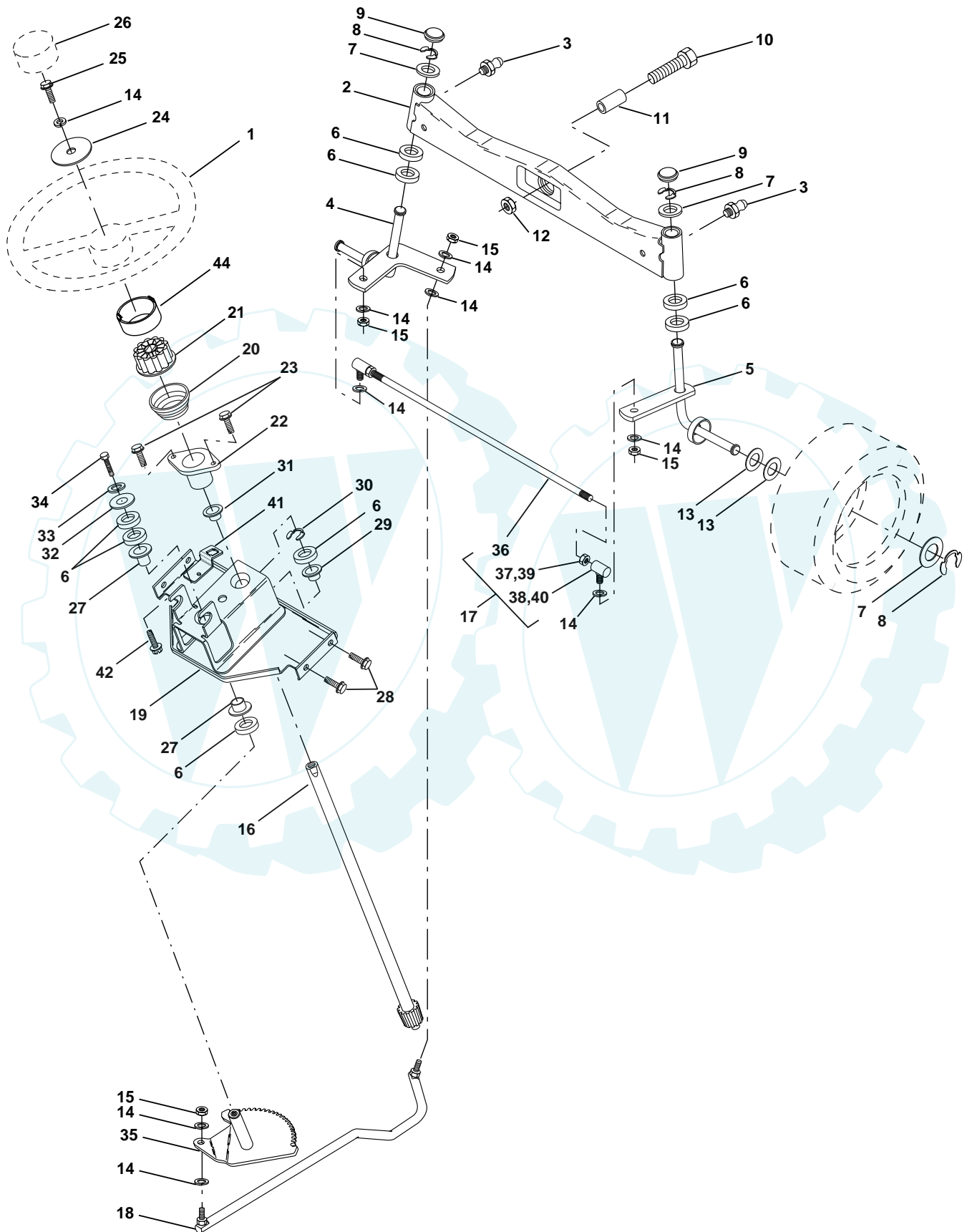
NOTE: All component dimensions given in U.S. inches
1 inch = 25.4 mm

REPAIR PARTS

www.ersatzteil-service.de

TRACTOR - - MODEL NUMBER QPGT22H46B

STEERING ASSEMBLY



TRACTOR - - MODEL NUMBER QPGT22H46B

STEERING ASSEMBLY

KEY NO.	PART NO.	DESCRIPTION
1	159944X428	Wheel, Steering
2	137094	Axle Asm., Front
3	6855M	Fitting, Grease
4	161849	Spindle Asm, LH
5	161848	Spindle Asm., RH
6	6266H	Bearing, Race Thrust Harden
7	121748X	Washer 25/32 x 1-5/8 x 16 Ga.
8	12000029	Ring, Klip #T5304-75
9	121232X	Cap, Spindle
10	74781044	Bolt, Fin Hex 5/8-11 x 2-3/4
11	136518	Spacer, Brg. Axle Front
12	73901000	Nut, Lock Flange 5/8-11 Unc
13	121749X	Washer 25/32 x 1-1/4 x 16 Ga.
14	10040600	Washer, Lock Hvy Hlcl Spr 3/8
15	7810H	Nut Lock Center 3/8-24 UNF
16	145103	Shaft Asm., Steering
17	137347	Rod Asm., Tie Ball J Ball Vgt (Inc. Key No. 36-40)
18	137155	Draglink, Ball Joint Solid Vgt
19	156011	Support Asm., Steering Vgt
20	158624X428	Boot Steering
21	100711L	Adapter, Wheel Steering
22	155105	Bushing, Strg.
23	152927	Screw
24	19133808	Washer 13/32 x 2-3/8 x 8 Ga.
25	74780616	Bolt, Fin Hex 3/8-16 x 1 Gr. 5
26	159946X428	Insert Cap Steering Wheel
27	3366R	Bearing, Col. Strg.
28	17000612	Screw 3/8-16 x 3/4
29	104239X	Bearing, Flange
30	12000029	Ring, Klip Truarc #5304-75
31	138136	Bushing, Nyliner Snap
32	19111610	Washer 11/32 x 1 x 10 Ga.
33	10040500	Washer, Lock Hvy Hlcl Spr 5/16
34	74760512	Bolt, Hex Hd 5/16-18 x 3/4
35	138059	Gear, Sector Steering
36	137156	Tie Rod
37	73360600	Jam Nut RH Thread
38	109850X	Joint Asm. Ball RH Thread
39	73700600	Jam Nut LH Thread
40	109851X	Joint Asm. Ball LH Thread
41	155246	Bracket Switch Interlock VGT 97
42	17490508	Screw Thdrol. 5/16-18 x 1/2 TYT
44	160135	Extension Steering

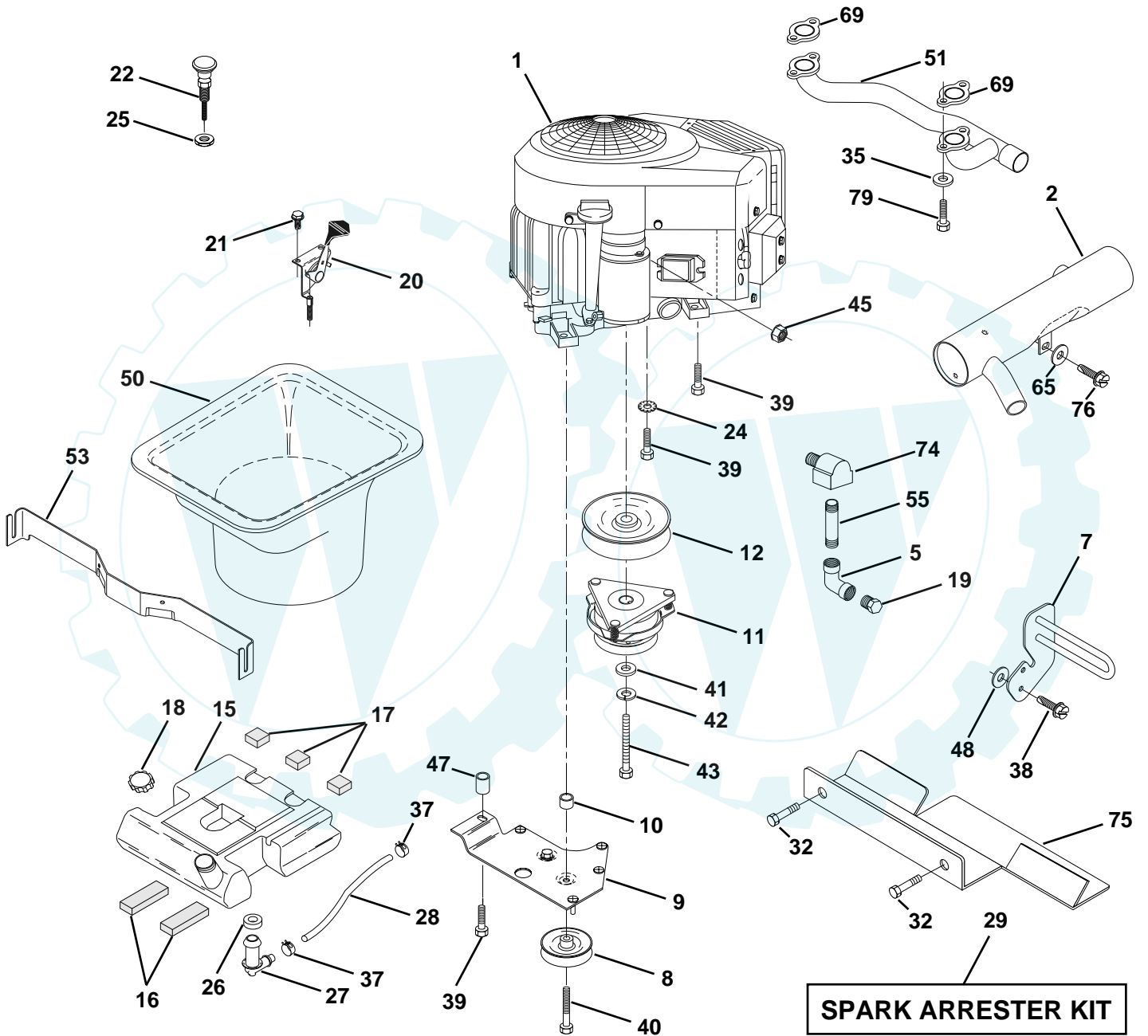
NOTE: All component dimensions given in U.S. inches
1 inch = 25.4 mm

REPAIR PARTS

www.ersatzteil-service.de

TRACTOR - - MODEL NUMBER QPGT22H46B

ENGINE



TRACTOR - - MODEL NUMBER QPGT22H46B

ENGINE

KEY NO.	PART NO.	DESCRIPTION
1	-----	Engine Briggs Model No. 407777 (Order Parts From Engine Manufacturer)
2	161063	Muffler Side
5	13200300	Elbow STD 90 Degree 3/8 - 18 NPT
7	151396	Muffler Assembly Guard
8	121361X	Pulley V-Idler
9	150828	Keeper Asm. Belt Engine VGT96
10	105432X	Bushing
11	140923	Clutch Electric
12	143996	Pulley Engine VGT Elect Clutch
15	151346	Tank Fuel Rear 3.50 YT/GT 96
16	109227X	Pad Spacer
17	106082X	Pad Spacer
18	140527	Cap Asm Fuel W/Sym Vented
19	13290300	Plug Oil Drain (Order From Engine Manufacturer)
20	143885	Control Throttle
21	17720410	Screw Hex Thd Cut 1/4 - 20 X 5/8
22	132781	Control Choke
24	11050600	Washer Ext Tooth 3/8
25	73920600	Nut , Keps 3/8-24 UNF
26	3645J	Bushing
27	139277	Stem Tank Fuel
28	7834R	Fuel Line
29	132920	Spark Arrester Kit
32	17490508	Screw Thdrl 5/16-18 x 1/2
35	10040500	Washer Lock Hvy HLCL Spr 5/16
37	123487X	Clamp Hose
38	17060620	Screw 3/8-16 x 1-1/4
39	17490636	Screw TT 3/8-16 x 2-1/4 UNC
40	17490664	Screw TT 3/8-16 x 4 UNC
41	126197X	Washer 1-1/2 OD X 15/32 ID X .250
42	10040700	Washer Lock 7/16
43	150280	Bolt, Hex 7/16-20 x 4-1/4 5 Ga. 1.38
45	73510400	Nut Keps Hex 1/4-20 UNC
47	142040	Spacer Engine CV22 Round PM
48	19132007	Washer 13/32 x 1-1/4 x 7 Ga.
50	161862	Duct Air Intake
51	165986	Manifold VGT
53	161829	Rod Support Hood Duct
55	13280336	Nipple, Pipe 3/8 NPT x 4-1/2
65	19131614	Washer 13/32 x 1 x 14 Ga.
69	165391	Gasket
74	162295	Elbow Street Brass
75	163776	Shield Heat Intek VGT
76	17000612	Screw Hexwsh Thdrl 3/8-16 x 3/4
79	71070512	Screw Hex Hd Cap 5/16-18 x 3/4

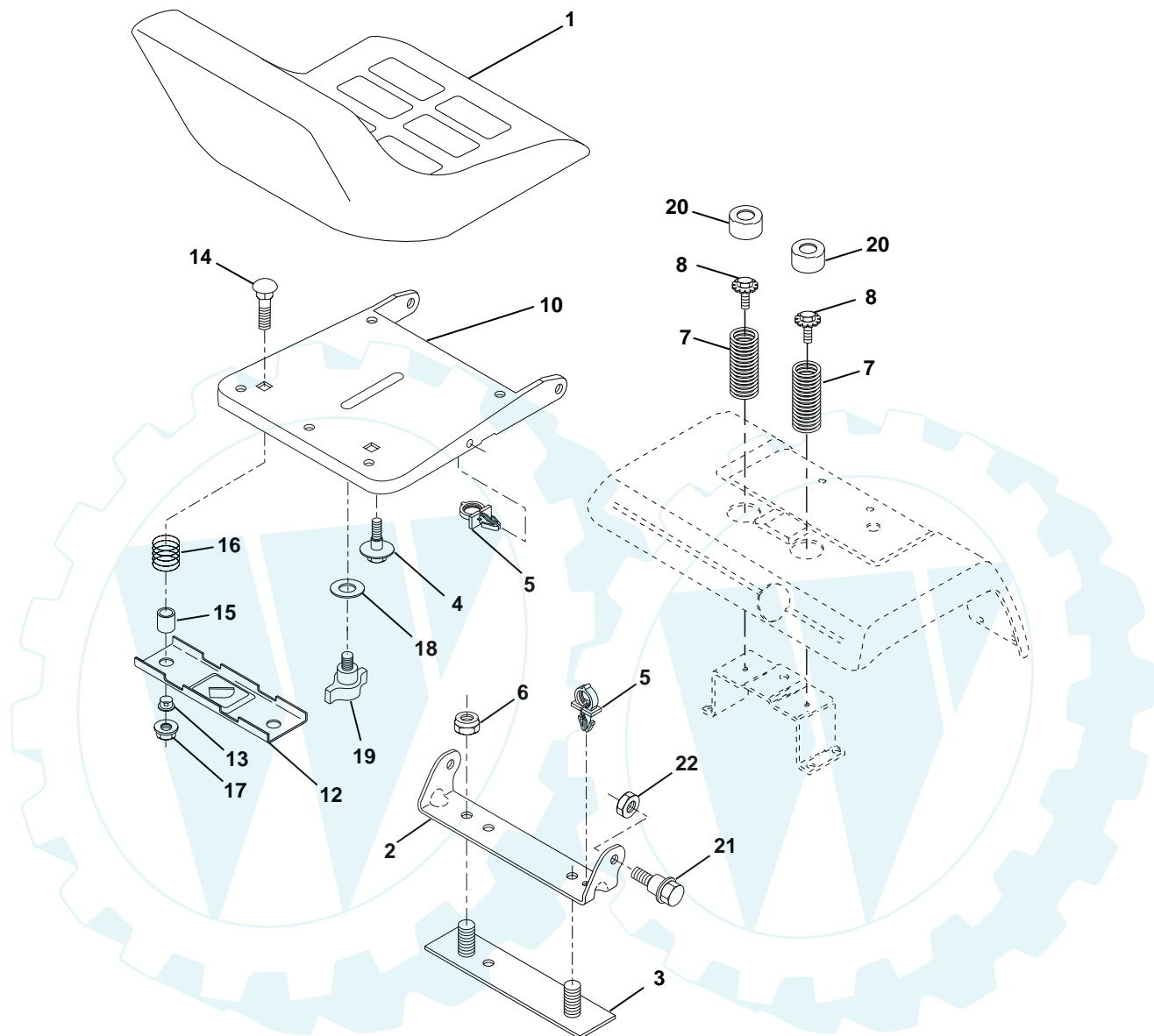
NOTE: All component dimensions given in U.S. inches
1 inch = 25.4 mm

REPAIR PARTS

www.ersatzteil-service.de

TRACTOR - - MODEL NUMBER QPGT22H46B

SEAT ASSEMBLY



KEY NO.	PART NO.	DESCRIPTION
1	127440	Seat
2	140551	Bracket, Pivot Seat
3	140675	Strap, Fender Asm.
4	127018X	Bolt, Shoulder 5/16-18 x .62
5	145006	Clip, Push-In Hinged
6	73800600	Nut, Crownlock 3/8-16
7	124181X	Spring, Seat Cprsn.
8	171877	Bolt 5/16-18 UNC x 3/4 w/Sems
10	155925	Pan, Seat
12	121246X	Bracket, Mounting Switch
13	121248X	Bushing, Snap

KEY NO.	PART NO.	DESCRIPTION
14	72050412	Bolt, Carriage 1/4-20 x 1-1/2
15	121249X	Spacer, Split
16	123740X	Spring, Cprsn.
17	123976X	Nut, Lock 1/4 Lg. Flg. Gr. 5
18	19171912	Washer 17/32 x 1-3/16 x 12 Ga.
19	166369	Knob, Seat
20	124238X	Cap, Spring Seat Blk
21	171852	Bolt 5/16-18
22	73800500	Nut, Crownlock 5/16-18

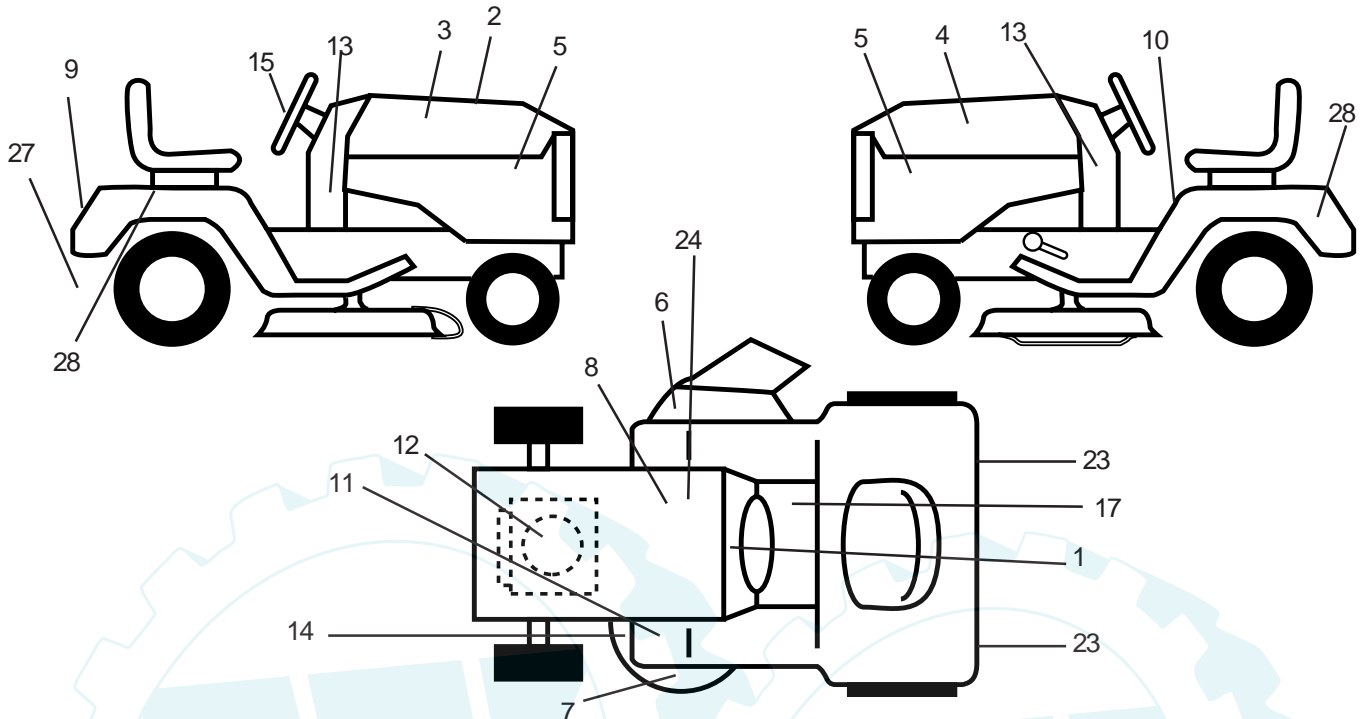
NOTE: All component dimensions given in U.S. inches
1 inch = 25.4 mm

REPAIR PARTS

www.ersatzteil-service.de

TRACTOR - - MODEL NUMBER QPGT22H46B

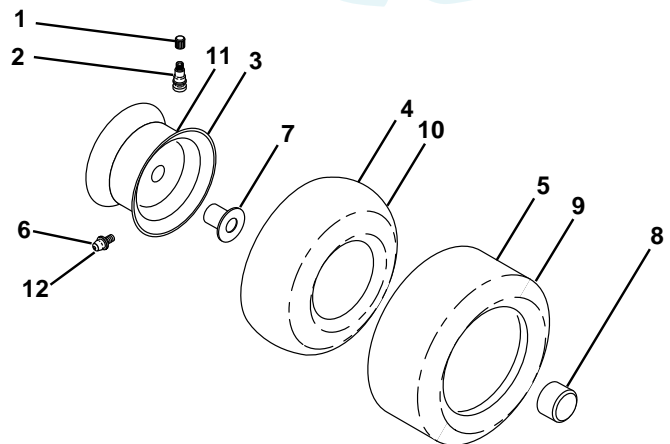
DECALS



KEY NO.	PART NO.	DESCRIPTION
1	156964	Decal, Operating Instruction
2	172914	Decal, Repllt
3	172842	Decal, Hood, RH
4	172843	Decal, Hood, LH
5	172597	Decal, Side Pnl
6	170563	Decal, Warning
7	168548	Decal, Deck Mul
8	168427	Decal, Batt Power Pro
9	172596	Decal, Fender
10	157140	Decal, Danger
11	101892X	Decal, Clutch/Brake
12	173050	Decal, Engine

KEY NO.	PART NO.	DESCRIPTION
13	172864	Decal, Dash Panel
14	160397	Decal, V-Belt Schematic
15	172595	Decal, Ins. Whl. Strg.
17	140837	Decal, Saddle Brake Parking
23	106202X	Reflector, Taillight
24	145005	Decal, Btry Dngr/Psn
27	142342	Decal, Drawbar
28	172670	Decal, Fender Auto
--	138311	Decal, Handle Lift (Lift Handle)
--	133671	Pad Frest
--	173903	Manual, Owner's (English)

WHEELS & TIRES



KEY NO.	PART NO.	DESCRIPTION
1	59192	Cap, Valve, Tire
2	65139	Stem, Valve
3	106228X421	Rim Assembly, Front
4	8134H	Tube, Front (Service Item Only)
5	106230X	Tire, Front
6	278H	Fitting, Grease (Front Wheel Only)
7	9040H	Bearing, Flange (Front Wheel Only)
8	104757X	Cap, Axle (Front Wheel Only)
9	105588X	Tire, Rear
10	7154J	Tube, Rear (Service Item Only)
11	106277X421	Rim Assembly, Rear
12	6856M	Fitting, Grease
--	144334	Sealant, Tire (10 oz. Tube)

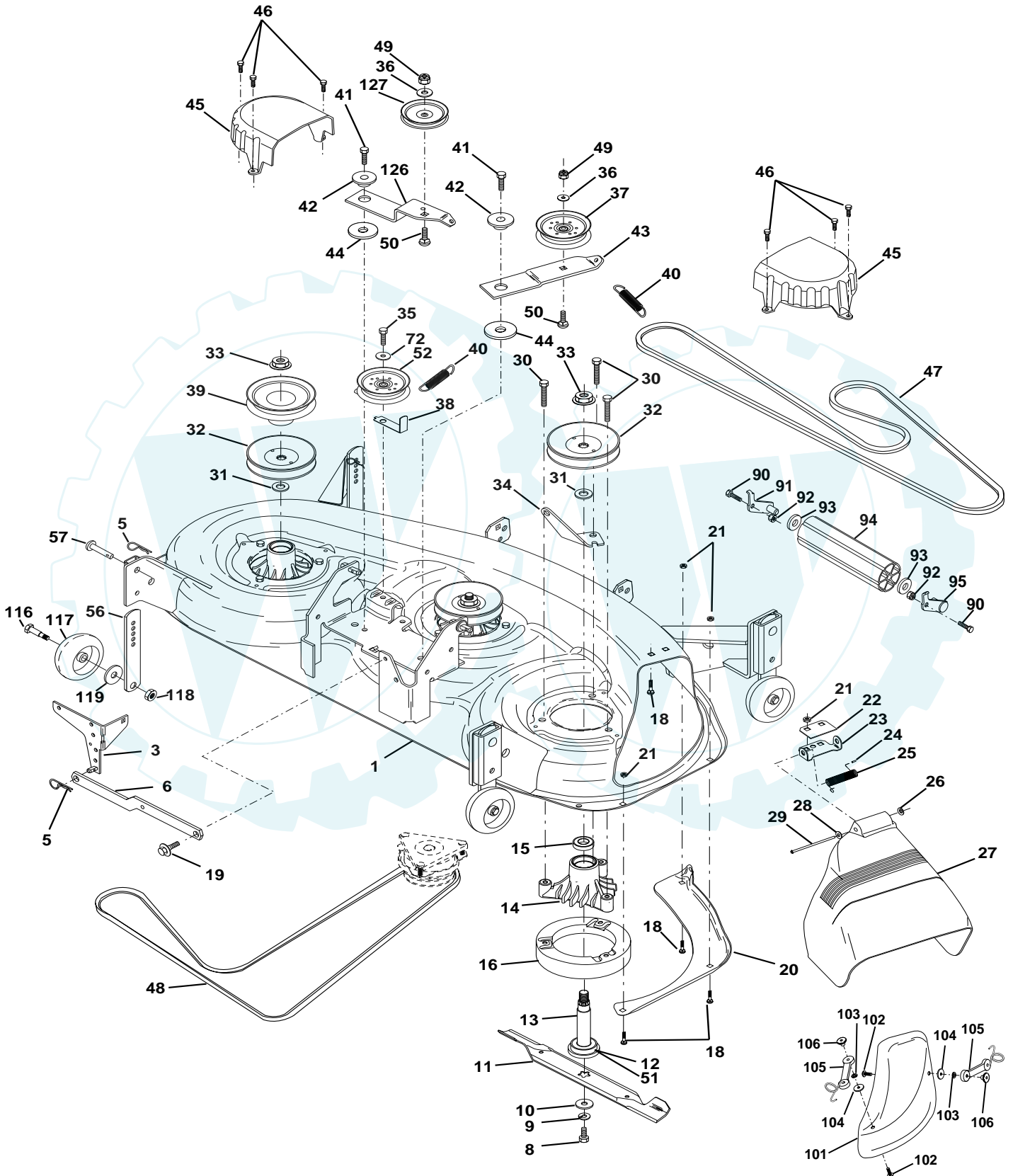
NOTE: All component dimensions given in U.S. inches
1 inch = 25.4 mm

REPAIR PARTS

www.ersatzteil-service.de

TRACTOR - - MODEL NUMBER QPGT22H46B

MOWER DECK



TRACTOR - - MODEL NUMBER QPGT22H46B

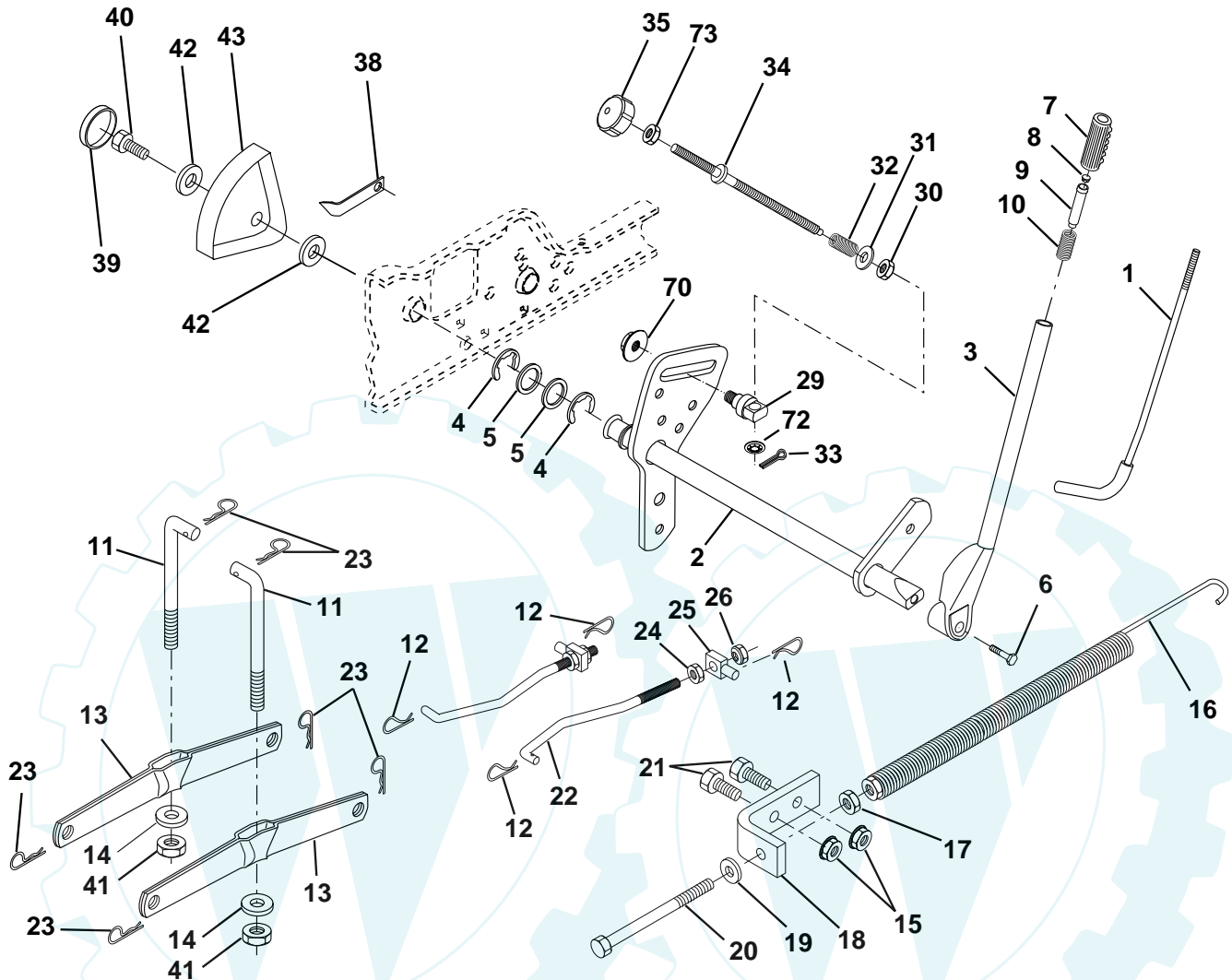
MOWER DECK

KEY NO.	PART NO.	DESCRIPTION	KEY NO.	PART NO.	DESCRIPTION
1	164811	Deck Weldment Mower 46 98	43	144949	Arm, Idler Secondary
3	138457	Bracket Asm., Sway Bar	44	133943	Washer, Hardened
5	4939M	Retainer Spring	45	145059	Cover, Mandrel Deck
6	130832	Arm, Suspension, Rear (Sway Bar)	46	137729	Screw, Thdroll. 1/4-20 x 5/8
8	850857	Bolt, Patched 3/8-24 x 1-1/4 Gr. 8	47	144959	V-Belt, Mower, Secondary
9	10030600	Washer, Lock Hvy., Unplated 3/8	48	148763	V-Belt, Mower, Primary
10	140296	Washer, Hard Blade, Mower Vented	49	73680600	Nut, Crownlock 3/8-16 UNC
11	170698	Blade, 46" Hi Pref.	50	72110612	Bolt, Carriage 3/8-16 x 1-1/2 Gr. 5
12	129895	Bearing, Ball, Mandrel #6204	51	153390	Washer, Felt
13	137553	Shaft Asm. w/Lower Bearing (Includes Key No. 12)	52	156493	Pulley Idler 46 Pri Drive 97
14	137152	Housing, Mandrel	56	155986	Bar Adjusting Gd Whl
15	110485X	Bearing, Ball, Mandrel	57	156941	Pin Head Rivet
16	140329	Stripper, Mower Round	72	19131616	Washer 13/32 x 1 x 16 Ga.
18	72140505	Bolt, Carriage 5/16-18 x 5/8	90	74760616	Bolt Hex Hd Fin 3/8-16 x 1
19	132827	Bolt, Hex Head, Shoulder 5/16-18	91	132274	Bracket Asm Nr Lh
20	145055	Baffle, Vortex Mower 46"	92	73800600	Nut Lock Hex 3/8-16
21	73680500	Nut, Crownlock 5/16-18 UNC	93	19171416	Washer 17/32 x 7/8 x 16 Ga
22	134753	Stiffener, Bracket	94	132264	Nose Roller
23	131267	Bracket, Deflector	95	132273	Bracket Asm Nr Rh
24	105304X	Cap, Sleeve	101	145579	Cover Mulcher
25	149287	Spring, Torsion, Deflector	102	71161010	Screw Truss Hd Phil 10-24 x 5/8
26	110452X	Nut, Push	103	10071000	Washer Lock #10
27	166883X428	Deflector Clipping	105	160793	Latch Asm Mulch
28	19111016	Washer 11/32 x 5/8 x 16 Ga.	106	2029J	Nut Weld
29	131491	Rod, Hinge	116	137644	Bolt, Shoulder
30	157722	Screw, Thdroll Washer Head	117	133957	Gauge Wheel, Wide
31	129963	Washer, Spacer Mower Vented	118	73930600	Nut, Centerlock 3/8-16 UNC
32	153531	Pulley, Mandrel	119	19121414	Washer 3/8 x 7/8 x 14 Ga.
33	137266	Nut, Flg. Top Lock Cntr. 9/16	126	144948	Arm, Idler, Primary Deck 46"
34	144945	Anchor, Spring Deck 46"	127	146763	Pulley, Idler, V-Groove Dim. 4.25
35	17490628	Screw, Thdroll 3/8-16 x 1-3/4 Tytt	--	166211	Deck Complete (Std. Deck-Order separately mulcher plate and gauge wheel components Key Nos. 101- 106 and 116-118)
36	19131316	Washer 13/32 x 13/16 x 16 Ga.	--	143651	Mandrel Asm. Service (Includes Key Nos. 8-10, 12-15, 31 and 33)
37	131494	Pulley Idler Flat			
38	156086	Keeper, Belt, Idler			
39	144917	Pulley, Idler, Driven			
40	137273	Spring, Secondary 44/46/50 Vent			
41	17060620	Screw 3/8-16 x 1-1/4			
42	165723	Spacer, Retainer			

NOTE: All component dimensions given in U.S. inches
1 inch = 25.4 mm

TRACTOR - - MODEL NUMBER QPGT22H46B

LIFT ASSEMBLY



KEY NO.	PART NO.	DESCRIPTION
1	121006X	Rod Asm., Lever
2	159187	Shaft Asm., Lift Vgt
3	159189	Lever Asm., Lift Rh
4	12000022	E-Ring Truarc#5133-87
5	19292016	Washer 29/32 x 1-1/4 x 16 Ga.
6	71110624	Bolt, Fin Hex 3/8-16 x 1-1/2
7	125631X	Grip, Handle Fluted
8	124526X	Button, Plunger
9	122364X	Plunger, Lever Lift
10	2876H	Spring 2-1/8"
11	146704	Link Lift
12	163552	Retainer, Spring
13	139868	Arm, Suspension Vgt
14	140302	Bearing, Pvt. Lift Spherical
15	73680600	Nut, Crownlock 3/8-16 Unc
16	674A247	Spring Asm., Assist Lift
17	73350600	Nut, Hex Jam 3/8-16 Unc
18	143363	Bracket, Spring Assist
19	19131316	Washer 13/32 x 13/16 x 16 Ga.
20	5328J	Bolt, Adjust Spring Assist
21	74760616	Bolt, Fin Hex 3/8-16 x 1
22	127218	Link, Front

KEY NO.	PART NO.	DESCRIPTION
23	4939M	Retainer, Spring
24	73350800	Nut, Jam Hex 1/2-13 Unc
25	130171	Trunnion
26	73680800	Nut Crownlock 1/2-13 Unc
29	150233	Trunnion Inf. Height
30	110807X	Nut, Special
31	19131016	Washer 13/32 x 5/8 x 16 Ga.
32	137150	Spring, Compression Inf Hgt
33	76020308	Pin, Cotter 3/32 x 1/2
34	137167	Rod, Adj Lift
35	138057	Knob, Inf 3/8-16 Unc
38	155097	Pointer, Height Indicator
39	123935X	Plug, Hole
40	17490512	Screw Thdrol 5/16-18 x 3/4
41	73540600	Nut, Crownlock 3/8-24
42	19112410	Washer 11/32 x 1-1/2 x 10 Ga.
43	123934X	Scale, Indicator Height
70	145212	Nut, Hexflange Lock
72	110452X	Nut Push Phos. & Oil

NOTE: All component dimensions given in U.S. inches
1 inch = 25.4 mm