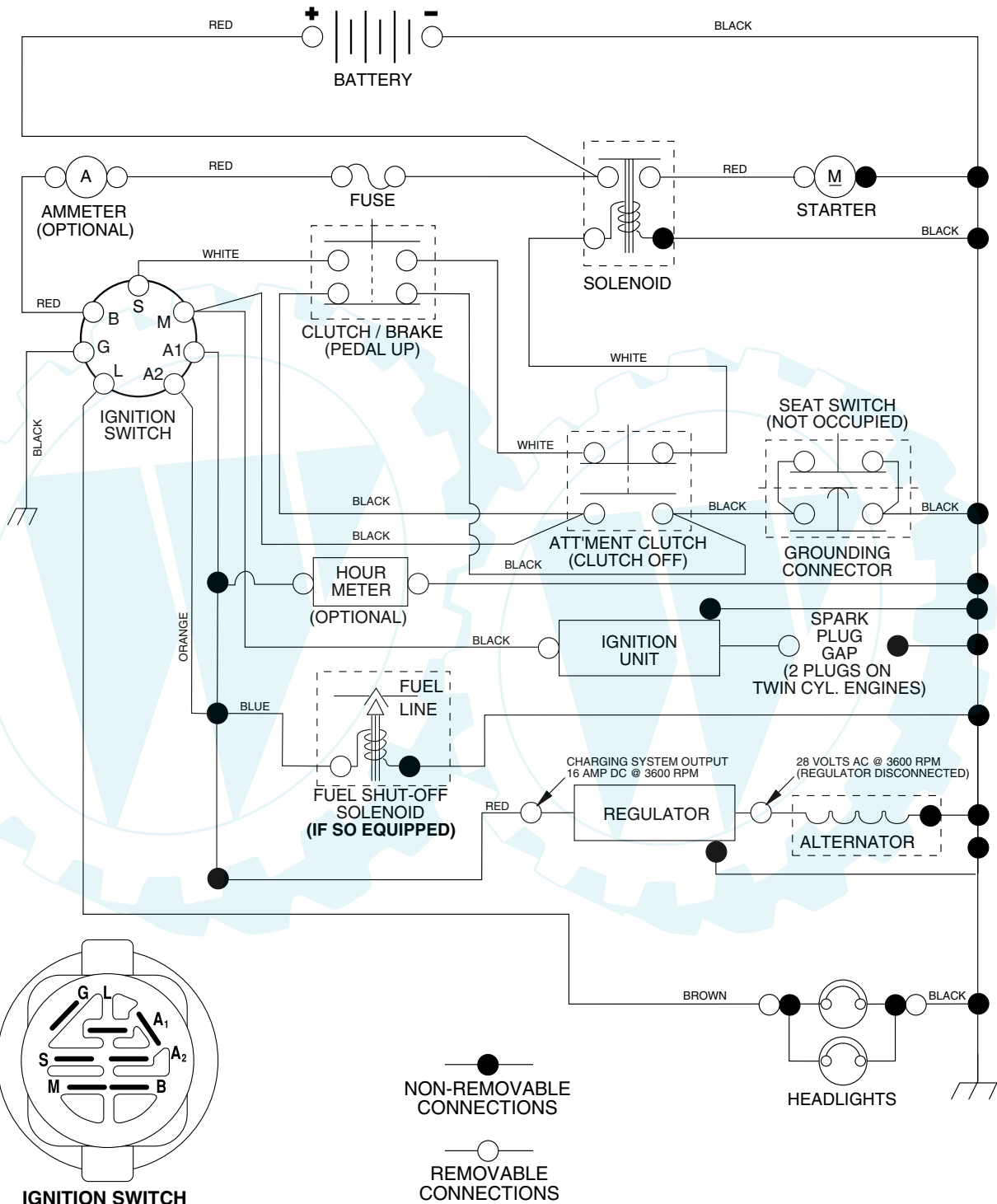


# TRACTOR - - MODEL NUMBER QGT2046B

[www.ersatzteil-service.de](http://www.ersatzteil-service.de)

## SCHEMATIC



### WIRING INSULATED CLIPS

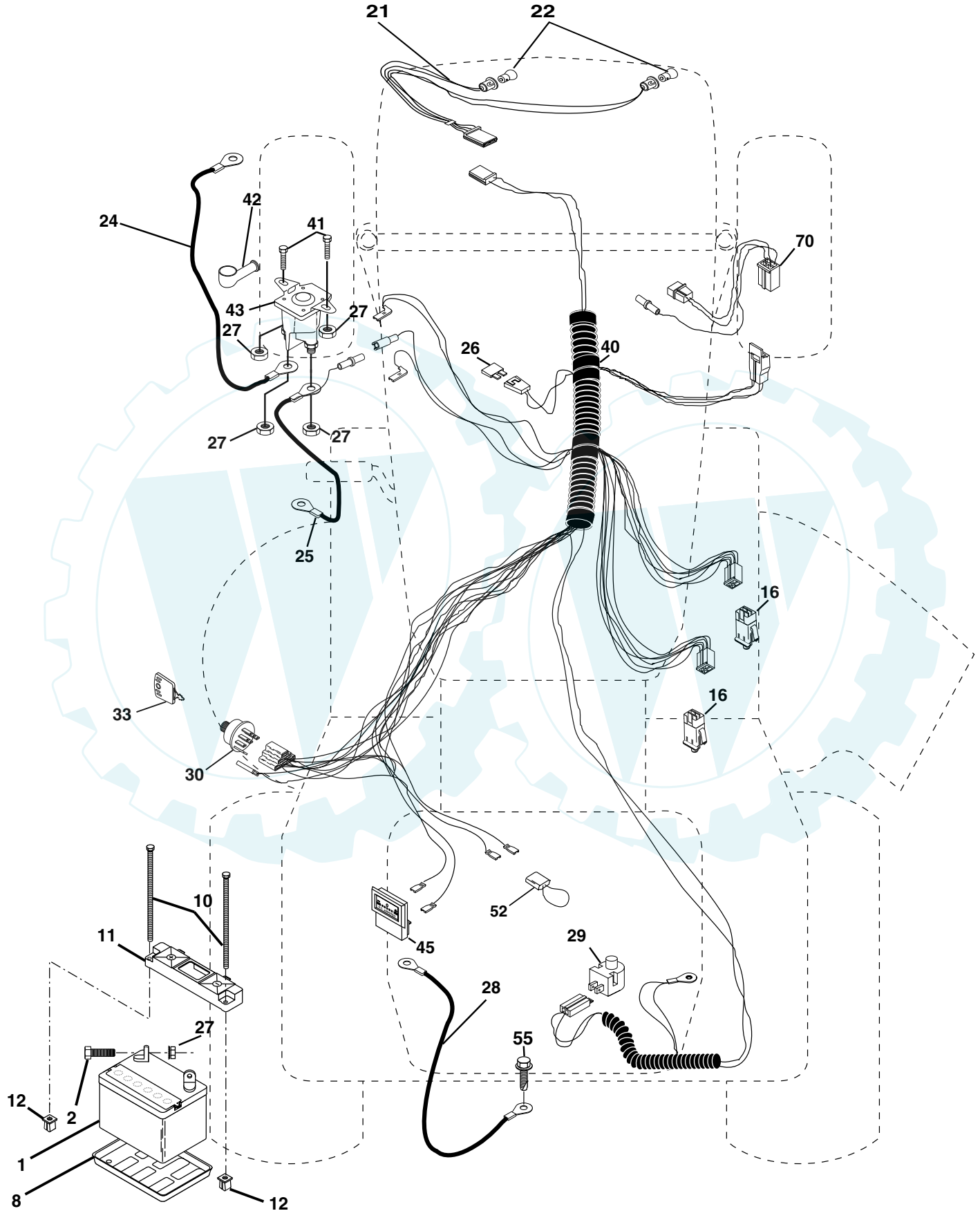
**NOTE:** IF WIRING INSULATED CLIPS WERE REMOVED FOR SERVICING OF UNIT, THEY SHOULD BE REPLACED TO PROPERLY SECURE YOUR WIRING.

# REPAIR PARTS

[www.ersatzteil-service.de](http://www.ersatzteil-service.de)

## TRACTOR - - MODEL NUMBER QGT2046B

### ELECTRICAL



## TRACTOR - - MODEL NUMBER QGT2046B

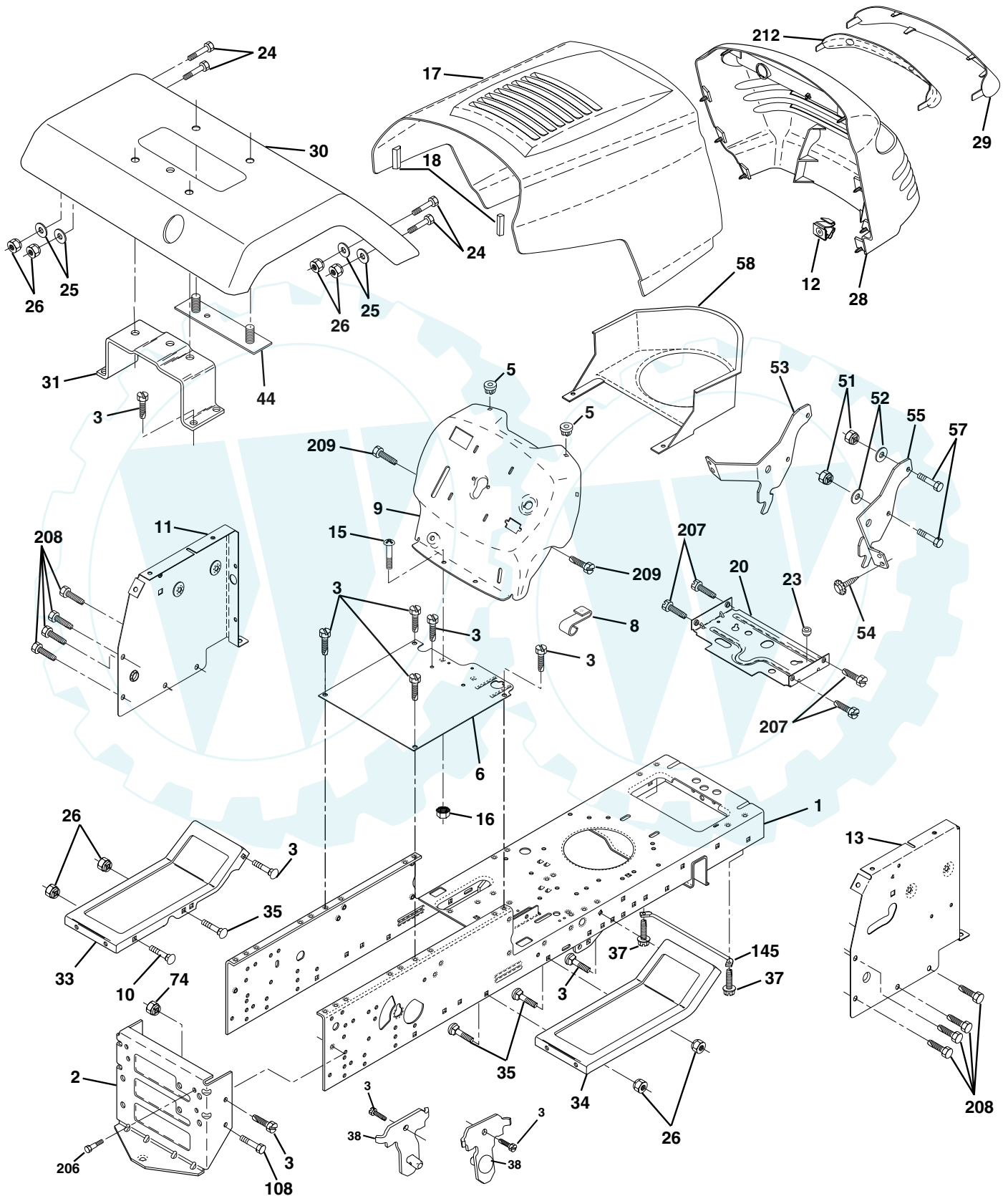
### ELECTRICAL

KEY NO.	PART NO.	DESCRIPTION
1	163465	Battery, 12 Volt, 28 Amp
2	74760412	Bolt, Hex Head 1/4-20 UNC x 3/4
8	7603J	Tray, Battery
10	145211	Bolt, Battery Front 1/4-20 x 7.5 Zinc
11	150109	Holddown Battery Dash Mount
12	145769	Nut, Push Nylon 1/4" Battery Front
16	153664	Switch Interlock Push-In
21	166181	Harness, Light
22	4152J	Bulb, Light
24	4799J	Cable, Battery, 6 Gauge, 11", Red
25	146148	Cable, Battery
26	166180	Fuse, 15 Amp
27	73510400	Nut, Hex, Keps 1/4-20 UNC
28	145491	Cable, Ground, 6 Gauge, 12", Black
29	121305X	Switch, Plunger
30	163968	Switch, Ignition, Push-In
33	140401	Key, Ignition
40	170217	Harness, Ignition
41	71110408	Bolt, Hex, Fin. 1/4-20 x 1/2
42	131563	Cover, Terminal, Red
43	145673	Solenoid
45	122822X	Ammeter, Rectangular
52	141940	Protection Wire Loop (Hour Meter)
55	17490508	Screw, Thdrol 5/16-18 x 1/2 TYT
70	170247	Harness, Engine

**NOTE:** All component dimensions given in U.S. inches  
1 inch = 25.4 mm

## TRACTOR - - MODEL NUMBER QGT2046B

### CHASSIS



## TRACTOR - - MODEL NUMBER QGT2046B

### CHASSIS

KEY NO.	PART NO.	DESCRIPTION
1	169831	Chassis Wldmt.
2	169061	Drawbar Stretch 94
3	17060612	Screw 3/8-16 x 3/4
5	155272	BumperHood/Dash
6	155923	Saddle Flat Lt
8	155138	Clip Retainer Slide-On
9	168348X012	Dash Private Label
10	72140608	Bolt RdHd Sqnk. 3/8-16 Unc x 1
11	156682	Panel Asm. Dash Lh
12	145660	Clip Tinnerman Grille P/L
13	172109	Panel Dash Rh
15	74180512	Screw Mach Trhd 5/16-18 Unc x 3/4
16	73510500	Nut Keps 5/16-18 Unc
17	159639X602	Hood Pnt STL P/L w/trim
18	126938X	BumperHood
20	156437	Plate Mtg Battery/Fule Tank
23	124028X	Bushing Snap Nyl Blk Fuel Line
24	74780616	Bolt Fin Hex 3/8-16 Unc x 1 Gr. 5
25	19131312	Washer 13/32 x 13/16 x 12 Ga.
26	73800600	Nut Lock Hex w/Insert 3/8-16 UNC
28	140434	Grill / Lens Asm
29	140273X599	Lens Grille Private label
30	167270X602	Fender Asm YTGT
31	137113	Bracket Fender
33	145244X602	Footrest Pnt. Lh
34	145243X602	Footrest Pnt. Rh
35	72110606	Bolt RdHd Sht. Sqnk. 3/8-16 x 3/4
37	17490508	Screw Thdrol 5/16-18 x 1/2 Tyt
38	169834	Bracket Asm Pivot Mower Rear
44	140675	Strap Asm Fender
51	73800400	Nut Lock Hex W/Ins. 1/4-20
52	19091416	Washer 9/32 x 7/8 x 16 Ga.
53	144697	Bracket Grille LH
54	161464	Screw Hex Wshd 8-18 x 7/8
55	144696	Bracket, Grille RH
57	74780412	Bolt Fin Hex 1/4-20 x .75
58	162266	Air Duct Private Label
74	73680600	Nut Crownlock 3/8-16 Unc
108	74760612	Bolt Fin Hex 3/8-16 Unc x 3/4
145	156524	Rod Pivot Chassis/Hood
206	170165	Bolt Shoulder 5/16-18
207	17670508	Screw Thdrol 5/16-18 x 1/2
208	17670608	Screw Thdrol 3/8-16 x 1/2
209	17000612	Screw Hex wsh Thdrol 3/8-16 x 3/4
212	156229	Insert Lens Reflective
--	5479J	Plug Btn Blk

**NOTE:** All component dimensions given in U.S. inches  
1 inch = 25.4 mm



## TRACTOR - - MODEL NUMBER QGT2046B

### DRIVE

KEY NO.	PART NO.	DESCRIPTION	KEY NO.	PART NO.	DESCRIPTION
1	-----	Transaxle, Peerless Model 820-016D (Order Parts From Transaxle Manufacturer)	63	140186	Pulley, Engine
2	146682	Spring, Brake Return	64	71170764	Bolt, Hex 7/16-20 x 4-1/4
3	121327X	Pulley, Transaxle (Driven)	65	10040700	Washer, Lock Hvy Hlcl Spr 7/16
4	12000004	Ring, Retainer	66	154778	Keeper Belt Engine F-proof
5	123787X	Strap, Torque	70	162848	Keeper Belt Engine
6	17060512	Screw, 5/16-18 x 3/4	72	19132012	Washer 13/32 x 1-1/4 x 12 Ga.
8	166020	Rod Shift Fender Adjust Yt	74	108097X	Spacer, Split
10	76020416	Pin, Cotter 1/8 x 1	76	12000053	E-Ring
11	105701X	Washer, Shift Plate	77	9396E	Key Square 1/4 x 2
13	74550412	Bolt 1/4-28 UNF Gr. 8 w/Patch	79	2228M	Key, Woodruff #9
14	10040400	Washer Lock Hvy Helical	80	123794X	Shift Arm
19	73800600	Nut, Lock Hex w/Ins. 3/8-16 UNC	81	165601	Shaft Asm Cross Tapered P820.23"
21	106933X	Knob	82	123782X	Spring, Torsion
22	145340	Rod, Brake	83	19171216	Washer 17/32 x 3/4 x 16 Gauge
24	73350600	Nut, Hex Jam 3/8-16	84	166230	Link Transaxle P820/23" Zinc
25	126909X	Spring, Rod, Brake	85	150360	Nut Lock Center 1/4-28 Fnthd
26	19131016	Washer 13/32 x 5/8 x 16 Gauge	89	139992X428	Console, 6 Speed
27	76020412	Pin, Cotter 1/8 x 3/4	90	124346X	Nut, Washer Head, Self-Thread 1/4
28	145204	Rod, Brake, Park	96	4497H	Retainer Spring 1" Zinc/cad.
29	71673	Cap, Brake Parking Black	110	74760612	Bolt Hex 3/8-16 x 3/4
30	123780X	Bracket, Transaxle, L.H.	111	123776X	Bracket, Transaxle, R.H.
31	123791X	Keeper, Belt, Transaxle, L.H.	116	72110610	Bolt Rdhd Sq Neck 3/8-16 x 1/25
34	155071	Shaft, Foot Pedal	117	19091216	Washer 9/32 x 3/4 x 16 Gauge
35	120183X	Bearing Nylon	135	123800X	Washer 1-1/32 x 1-5/8 x 16 Gauge
36	19211616	Washer 21/32 x 1 x 16 Gauge	145	74490540	Bolt Hex Flghd 5/16-18 x Gr. 5
37	1572H	Pin, Roll 3/16 x 1	150	165850	Bushing Bellcrank
38	131494	Idler, Flat	151	19133210	Washer 13/32 x 2 x 10 Ga.
39	72110622	Bolt Rdhd 3/8-16 Unc x 2-3/4 Gr. 5	156	166002	Washer Srrted 5/16ID x 1.125
40	4470J	Spacer	158	165589	Bracket Shift Mount
41	165838	Keeper, Idler	159	165494	Hub Tapered Flange Shift Lt
42	19131312	Washer 13/32 x 13/16 x 12 Gauge	161	72140406	Bolt Rdhd Sqnk 1/4-20 x 3/4 Gr 5
47	127783	Pulley, Idler	162	73680400	Nut Crownlock 1/4-20 Unc
48	154407	Bellcrank Clutch Grnd Drv Stl	163	74780416	Bolt Hex Fin 1/4-20 Unc x 1 Gr 5
49	123205X	Retainer, Belt	164	19091010	Washer 5/8 x .281 x 10 Ga
50	74760624	Bolt, Hex 3/8-16 x 1-1/2	165	165623	Bracket Pivot Lever
51	73680600	Nut, Crownlock 3/8-16	166	166880	Screw 5/16-18 x 5/8
53	105710X	Link, Clutch	168	165492	Bolt Shoulder 5/16-18 x .561
54	126471X	Clip, Insulator	169	165581	Plate Fastening Lt
55	105709X	Spring, Return, Clutch	171	17490608	Screw Thdrol 3/8-16 x 1/2 Ty-Tt
56	74760620	Bolt, Hex 3/8-16 x 1-1/4	197	169613	Nyliner Snap-In 5/8" Id
57	163817	V-Belt, Drive	198	169593	Washer Nyl 7/8 Id x .105
58	123792X	Keeper, Belt, Transaxle, R.H.	202	72110612	Bolt Carr Sh 3/8-16 x 1-1/2 Gr.5
59	169595	Keeper Belt Centerspan			
61	17060612	Screw 3/8-16 x 3/4			
62	8883R	Cover, Foot Pedal			

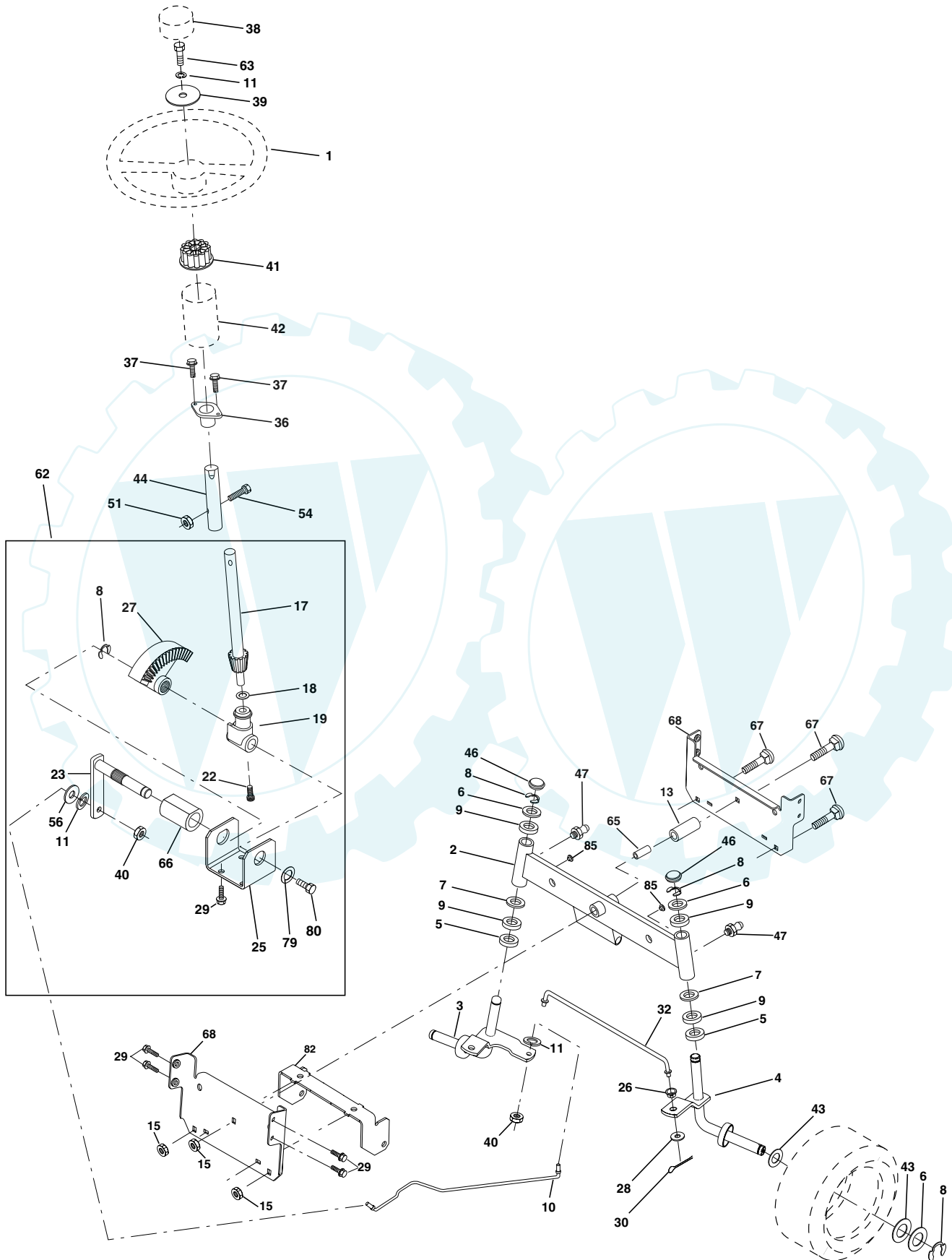
**NOTE:** All component dimensions given in U.S. inches\ 1 inch = 25.4 mm

# REPAIR PARTS

[www.ersatzteil-service.de](http://www.ersatzteil-service.de)

## TRACTOR - - MODEL NUMBER QGT2046B

### STEERING ASSEMBLY





## TRACTOR - - MODEL NUMBER QGT2046B

### STEERING ASSEMBLY

KEY NO.	PART NO.	DESCRIPTION
1	140044	Wheel Steering Auto Black
2	154427	Axle Asm Front
3	169840	Spindle Asm Lh
4	169839	Spindle Asm Rh
5	6266H	Bearing Race Thrust Harden
6	121748X	Washer 25/32 X 1 5/8 X 16ga
7	19272016	Washer 27/32 X 1 1/4 X 16 Ga
8	12000029	Ring Klip #t5304-75
9	3366R	Bearing Col Strg Blk
10	169832	Link Drag
11	10040600	Lockwasher
13	136518	Spacer Bearing Axle Front
15	145212	Nut Hex Flange Lock
17	156546	Shaft Asm Strg 5/8 X 15 19 Lt
18	57079	Washer Thrust 515x 750x 033
19	160395	Support Shaft
22	165857	Screw Hex WshHd Torx
23	165851	Shaft Asm Pittman
25	154406	Bracket Steering
26	126847X	Bushing Rod Tie Blk Lt
27	136874	Gear Sector
28	19131416	Washer 13/32 X 7/8 X 16ga
29	17060612	Screw 3/8-16x3/4
30	76020412	Pin
32	130465	Rod Tie Wire Form 19 75 Mech
36	155099	Bushing Strg 5/8 Id Dash
37	152927	Screw TT #10-32 x 5 x 3/8 Flange
38	140045	Insert Cap Strg
39	19133812	Washer 13/32 X 2-3/8 X12 Ga
40	7810H	Locknut Center
41	100711L	Adaptor Wheel Strg 640/ 635id
42	145054X428	Boot Dash Steering
43	121749X	Washer 25/32 X 1 1/4 X 16 Ga
44	153720	Extension Steering Non-Adjust
46	121232X	Cap Spindle Fr Top Blk
47	6855M	Fitting Grease
51	73800500	Nut Lock Hex W/Ins.
54	74780520	Bolt Fin Hex 5/16-18 Unc P
56	19131210	Washer 13/32 x 3/4 x 10 Ga.
62	167902	Kit Steering Assembly Service
63	74780616	Bolt Fin Hex 3/8-16unc x Gr. 5
65	160367	Spacer Axle
66	154404	Bearing Arm Pittman
67	72140618	Bolt Rdhd Sq 3/8-16 Unc x 2-1/4
68	169827	Brace Axle
79	19132012	Washer 13/32 x 1-1/4 x 12 Ga.
80	74950612	Bolt Hex Nylon 3/8-16 x 3/4
82	169835	Bracket Susp Chassis Front
85	133835	Fastner Christmas Tree

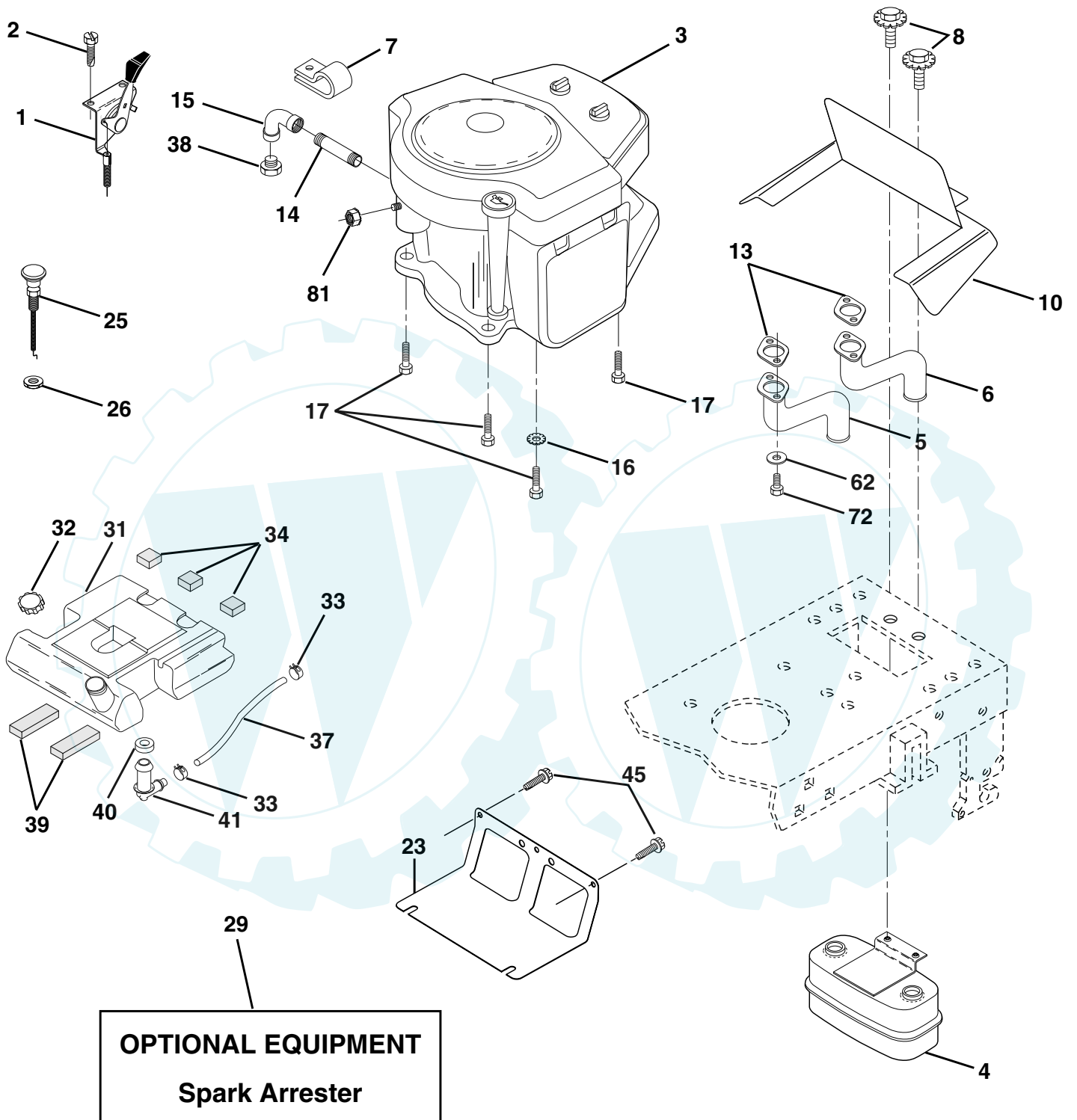
**NOTE:** All component dimensions given in U.S. inches  
1 inch = 25.4 mm

# REPAIR PARTS

[www.ersatzteil-service.de](http://www.ersatzteil-service.de)

## TRACTOR - - MODEL NUMBER QGT2046B

### ENGINE



## TRACTOR - - MODEL NUMBER QGT2046B

### ENGINE

KEY NO.	PART NO.	DESCRIPTION
1	148875	Control, Throttle
2	17720410	Screw, Hex Head, Thread Cutting 1/4-20 x 5/8
3	-----	Engine, B&S Model Number 407777 (Order Parts From Engine Manufacturer)
4	149723	Muffler
5	159955	Tube, Manifold, LH
6	160589	Tube, Manifold, RH
7	126470X	Clip Insulated
8	150176	Bolt 5/16-18 UNC x 3/4 w/Sems
10	162797	Shield, Browning
13	165391	Muffler Gasket
14	13280336	Nipple, Pipe 3/8 NPT x 4-1/2
15	13200300	Elbow, Standard 90° 3/8-18 NPT
16	11050600	Washer, Lock, External Tooth 3/8
17	17490624	Screw Thdrol 3/8-16 x 1-1/2
23	169837	Shield, Browning / Debris Guard
25	145996	Choke Control
26	73920600	Nut, Keps 3/8-24 UNF
29	137180	Kit, Spark Arrestor
31	151346	Tank Fuel 3 50 Rear
32	140527	Cap Asm Fuel W/sym Vented
33	123487X	Clamp, Hose
34	106082X	Pad, Spacer
37	8543R	Line, Fuel
38	-----	Plug, Oil Drain (Order From Engine Manufacturer)
39	109227X	Pad, Idler
40	3645J	Bushing
41	139277	Stem, Fuel Tank
45	17000612	Screw Hex wsh Thdrol 3/8-16 x 3/4
62	10040500	Washer Lock 5/16
72	71070512	Screw Hex Hd Cap 5/16-18 x 3/4
81	73510400	Nut Keps Hex 1/4-20 Unc

**NOTE:** All component dimensions given in U.S. inches.  
1 inch = 25.4 mm



## TRACTOR - - MODEL NUMBER QGT2046B

### MOWER DECK

KEY NO.	PART NO.	DESCRIPTION	KEY NO.	PART NO.	DESCRIPTION
1	164210	Deck Asm., Mower 46"	58	165906	Rod Brake 46"
3	138457	Bracket Asm., Sway Bar	59	157034	Guide Bolt 46" Mower Dr
5	4939M	Retainer Spring	60	156722	Arm Asm Brake 46"
6	130832	Arm, Suspension, Rear (Sway Bar)	61	161315	Bolt Shld 5/16-18
8	850857	Bolt, Patched 3/8-24 x 1-1/4 Gr. 8	62	131870	Spring Return
9	10030600	Washer, Lock Hvy., Unplated 3/8	67	106932X	Knob Rd 3/8-16 Plstc Thds Blk
10	140296	Washer, Hard Blade, Mower Vented	69	73350600	Nut Hex Jam 3/8-16 Unc
11	170698	Blade Hi-Perf 46"	72	19131316	Washer 13/32 x 1 x 16 Ga.
12	129895	Bearing, Ball, Mandrel #6204	82	4497H	Retainer Spring
13	137553	Shaft Asm. w/Lower Bearing (Includes Key No. 12)	85	10040600	Washer Lock 3/8
14	137152	Housing, Mandrel	101	145579	Cover Mulcher 46" Black
15	110485X	Bearing, Ball, Mandrel	102	71161010	Screw Truss Hd Phil 10-24 x 5/8
16	140329	Stripper, Mower Round	103	10071000	Washer Lock #10
18	72140505	Bolt, Carriage 5/16-18 x 5/8	104	19061216	Washer #10
19	132827	Bolt, Hex Head, Shoulder 5/16-18	105	130758	Latch Asm Bagger
20	145055	Baffle, Vortex Mower 46"	106	2029J	Nut Weld .327/.304 #10-24
21	73680500	Nut, Crownlock 5/16-18 UNC	116	4898H	Bolt, Shoulder
22	134753	Stiffener, Bracket	117	165746	Gauge Wheel
23	131267	Bracket, Deflector	118	73930600	Nut, Centerlock 3/8-16 UNC
24	105304X	Cap, Sleeve	119	19121414	Washer 3/8 x 7/8 x 14 Ga.
25	149287	Spring, Torsion, Deflector	126	156472	Arm, Idler, Primary Deck 46"
26	110452X	Nut, Push	127	146763	Pulley, Idler, V-Groove Dim. 4.25
27	166883	Shield, Deflector Mower	129	19133808	Washer 13/32 x 2-3/8 x 8 Ga
28	19111016	Washer 11/32 x 5/8 x 16 Ga.	130	165891	Bolt Carriage Idler
29	131491	Rod, Hinge	131	169022	SPring Return Idler
30	157722	Screw, Thdroll Washer Head	132	165890	Arm Spring Brake Mower
31	129963	Washer, Spacer Mower Vented	133	165904	Bracket Anchor Cable 46"
32	153531	Pulley, Mandrel	134	17490512	Screw Thdrol5/16-18 x 3/4
33	137266	Nut, Flg. Top Lock Cntr. 9/16	135	165898	Retainer Spring Yellow
34	144945	Anchor, Spring Deck 46"	136	19091216	Washer 9/32 x 3/4 x 16 Ga
35	17490628	Screw, Thdroll 3/8-16 x 1-3/4 Tytt	151	169670	Bracket Clutch Cable
37	131494	Pulley, Idler, Flat	152	170328	Clutch Cable 38"/46"
38	156085	Keeper, Belt, Idler	153	169674	Washer Flat 3/8" Type B
39	144917	Pulley, Idler, Driven	154	169675	Spring Retainer
40	137273	Spring, Secondary 44/46/50 Vent	155	169671	Spring Retension Q
41	17060620	Screw 3/8-16 x 1-1/4	156	169672	SPacer Clutch Cable
42	165723	Spacer, Retainer	157	169669	Rod Clutch Cable 3/8"
43	144949	Arm, Idler Secondary	158	17720410	Screw Hex Thd Cut 1/4-20 x 5/8
44	133943	Washer, Hardened	--	143651	Mandrel Asm 44"/46"/50" Service
45	145059	Cover, Mandrel Deck	--	152443	Blade Mulch 46"
46	137729	Screw, Thdroll. 1/4-20 x 5/8	--	172497	Deck Complete (Std. Deck-Order separately mulch plateand gauge wheel components Key Nos. 101- 106 and 116-118)
47	144959	V-Belt, Mower, Secondary			
48	139573	V-Belt, Mower, Primary			
49	73680600	Nut, Crownlock 3/8-16 UNC			
50	72110612	Bolt, Carriage 3/8-16 x 1-1/2 Gr. 5			
51	153390	Washer Felt			
52	165888	Pulley Idler Flat			

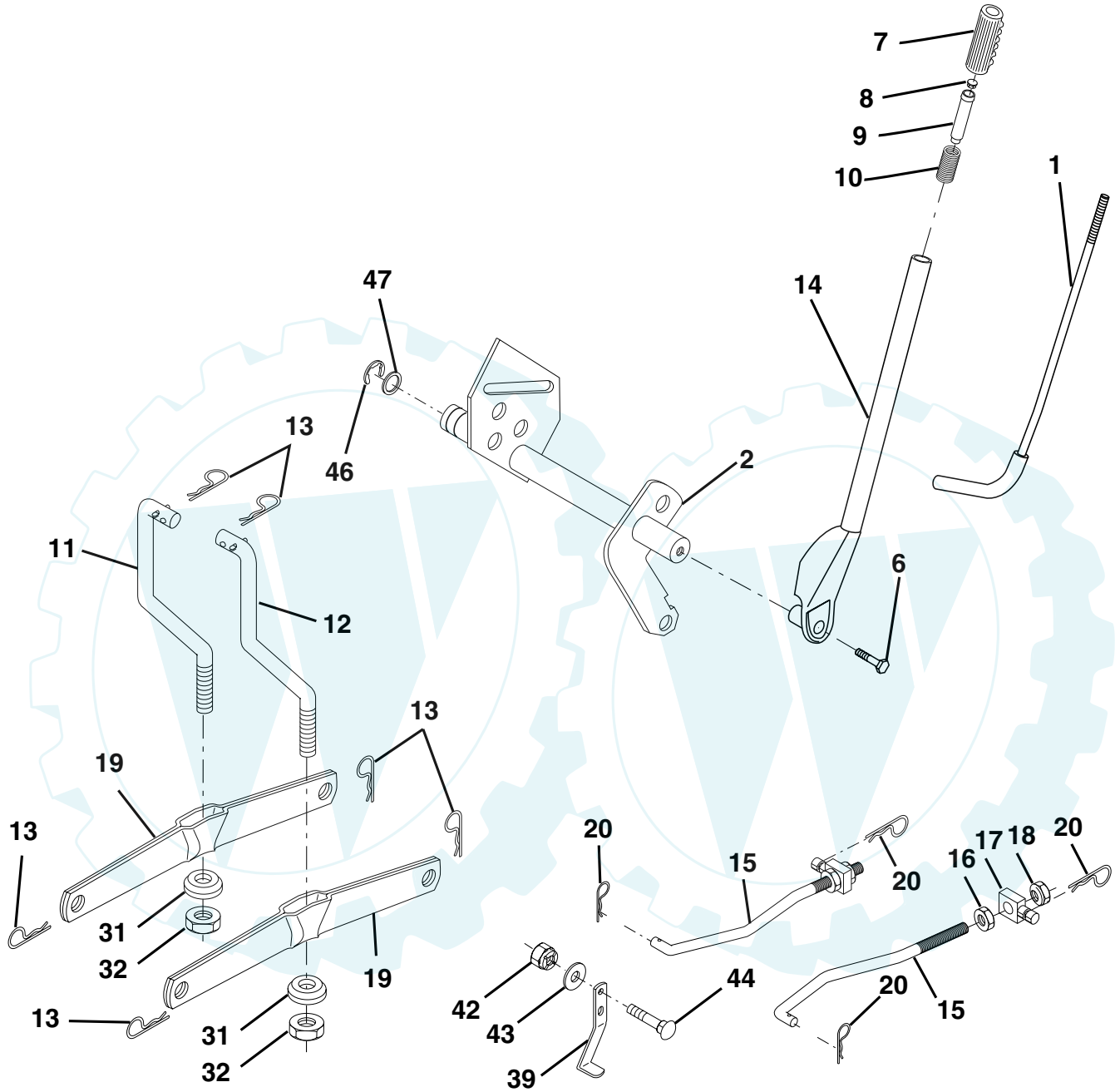
**NOTE:** All component dimensions given in U.S. inches  
1 inch = 25.4 mm

# REPAIR PARTS

[www.ersatzteil-service.de](http://www.ersatzteil-service.de)

## TRACTOR - - MODEL NUMBER QGT2046B

### MOWER LIFT



## TRACTOR - - MODEL NUMBER QGT2046B

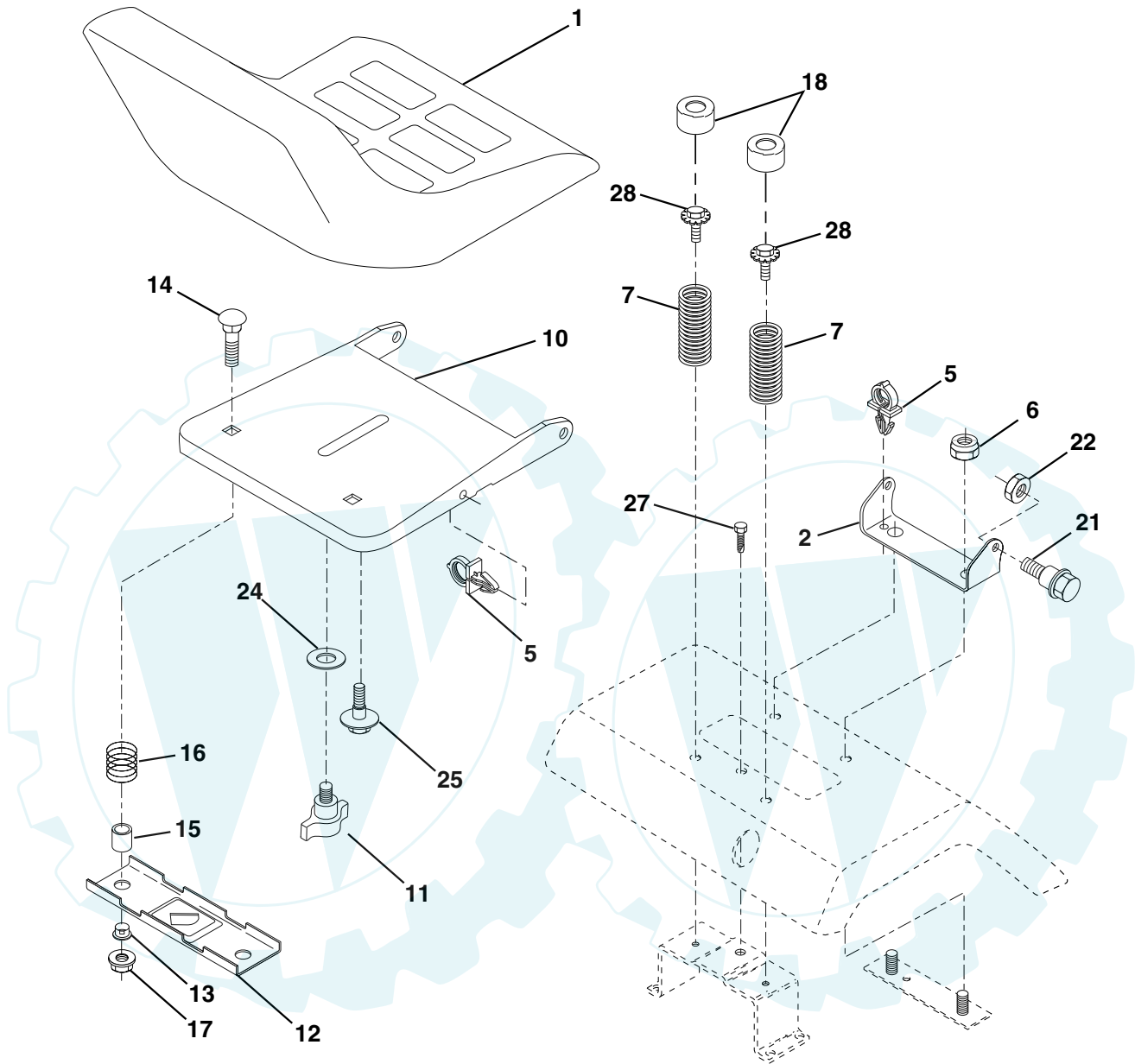
### MOWER LIFT

KEY NO.	PART NO.	DESCRIPTION
1	121006X	Rod Assembly, Lever
2	159188	Shaft Assembly, Lift
6	74780624	Bolt, Hex Head, Fin. 3/8-16 x 1-1/2
7	109413X	Grip Handle
8	124526X	Button Plunger Black
9	122364X	Plunger Lever Lift
10	2876H	Spring
11	145537	Link, Lift, LH
12	145536	Link, Lift, RH
13	4939M	Retainer Spring
14	159189	Lever Assembly, Lift, RH
15	173288	Link, Front
16	73350800	Nut, Hex, Jam 1/2-13 UNC
17	130171	Trunnion
18	73800800	Nut Lock W/Wsh 1/2-13 Unc
19	139868	Arm, Suspension, Rear
20	163552	Retainer Spring
31	169865	Bearing
32	73540600	Nut, Crownlock 3/8-24
39	142992	Stop Over Center
42	73680600	Nut, Crownlock 3/8-16 UNC
43	19131612	Washer 13/32 x 1 x 12 Ga.
44	72240608	Bolt, Carriage 3/8-16 x 1.00
46	12000022	E-Ring
47	19292016	Washer

**NOTE:** All component dimensions given in U.S. inches  
1 inch = 25.4 mm

## TRACTOR - - MODEL NUMBER QGT2046B

### SEAT ASSEMBLY



KEY NO.	PART NO.	DESCRIPTION
1	127428	Seat
2	140551	Pivot Bracket, Seat
5	145006	Clip, Push-in Hinged
6	73800600	Nut, Lock Hex w/Ins 3/8-16 UNC
7	124181X	Spring, Seat
10	155925	Pan, Seat
11	166369	Knob, Seat, Black
12	121246X	Bracket, Switch Mounting
13	121248X	Bushing, Snap, Black, Nylon
14	72050412	Bolt, Carriage 1/4-20 x 1-1/2
15	134300	Spacer, Split .28 x .96

KEY NO.	PART NO.	DESCRIPTION
16	121250X	Spring
17	123976X	Locknut, Flange 1/4 Grade 5
18	124238X	Cap Spring Seat Blk 1.75 x 1.0
21	171852	Bolt, Shoulder 5/16-18 Unc -2A
22	73800500	Nut Lock Hex W/Ins 5/16-18 Unc
24	19171912	Washer 17/32 x 1-3/16 x 12 Gauge
25	127018X	Bolt, Shoulder 5/16-18 x .62
27	17490608	Screw Thdrol 3/8-16 x 3/4
28	171877	Bolt 5/16-18 UNC x 3/4 w/Sems

**NOTE:** All component dimensions given in U.S. inches  
1 inch = 25.4 mm

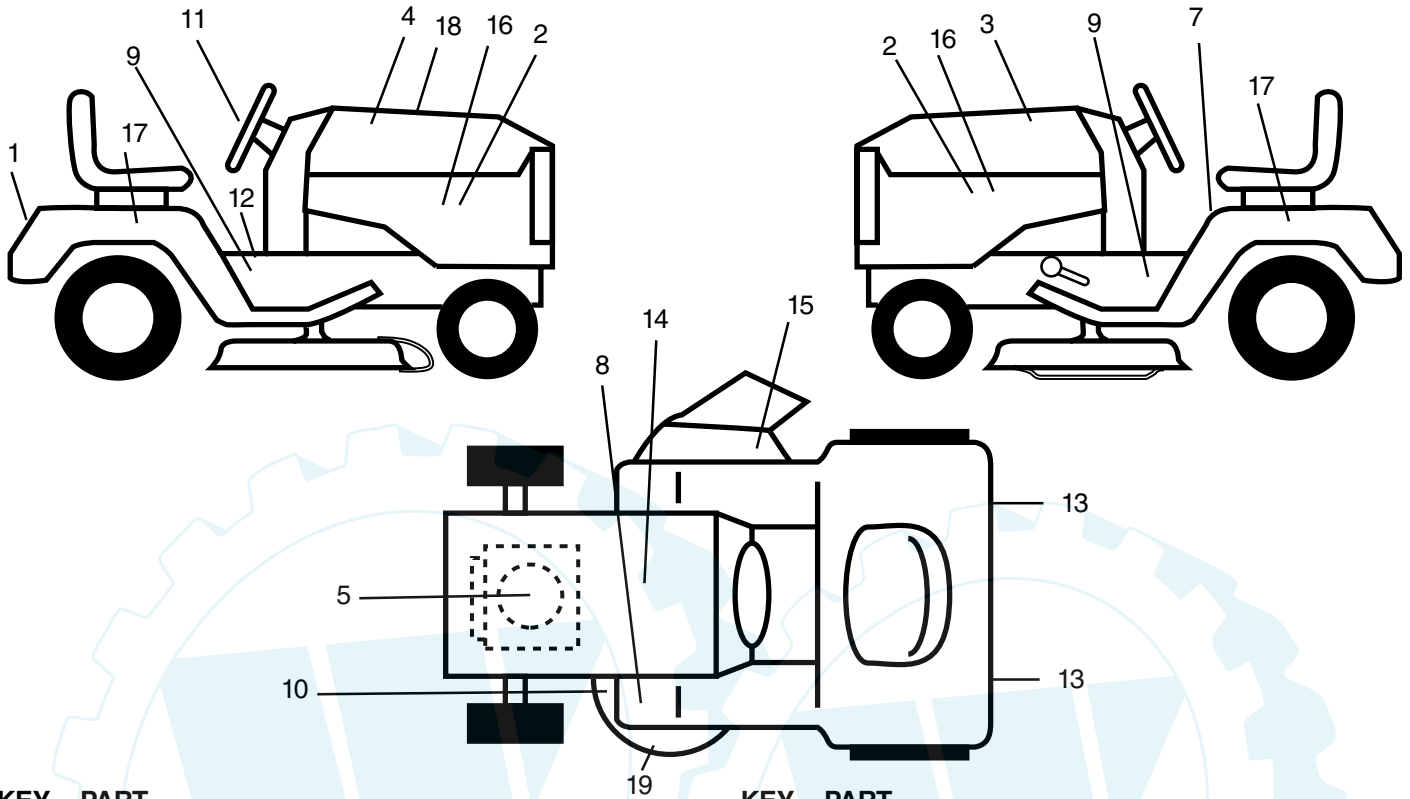


# REPAIR PARTS

[www.ersatzteil-service.de](http://www.ersatzteil-service.de)

## TRACTOR - - MODEL NUMBER QGT2046B

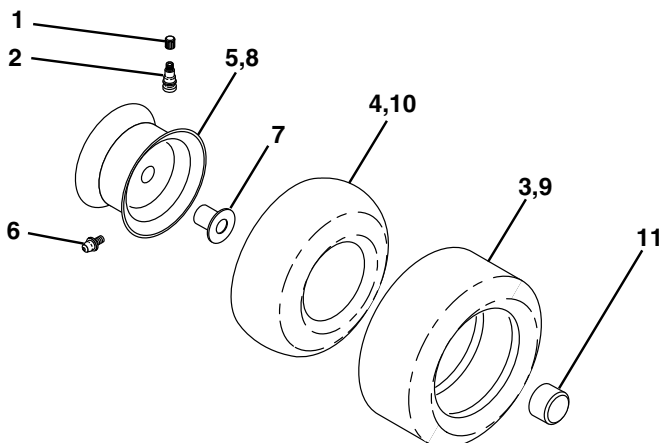
### DECALS



KEY NO.	PART NO.	DESCRIPTION
1	172372	Decal Fender
2	172376	Decal Side Panel
3	172580	Decal Hood LH
4	172579	Decal Hood RH
5	173000	Decal HP Engine
7	157140	Decal Danger Fender English/French
8	101892X	Decal Clutch/brake English/French
9	173256	Decal Chassis
10	139346	Decal V-Belt Sch
11	172375	Decal Steering

KEY NO.	PART NO.	DESCRIPTION
12	157163	Decal Oper sDL Eng/Fr
13	106202X	Reflector Taillight
14	145005	Decal, Btry Dngr/Psn
15	170563	Decal, Warning Mower
16	173260	Decal Panel
17	172584	Decal Fender Side
18	172913	Decal Replacement Hood
19	168548	Decal Deck Mulch/Vented
--	157199X428	Pad, Footrest
--	138311	Decal Handle Lft Height Adjust
--	174436	Manual, Owner's (English)

### WHEELS & TIRES



KEY NO.	PART NO.	DESCRIPTION
1	59192	Cap Valve Tire
2	65139	Stem Valve
3	106222X	Tire Front
4	59904	Tube Front (Service Item Only)
5	106732X427	Rim Asm 6" front
6	278H	Fitting Grease (Front Wheel Only)
7	9040H	Bearing Flange (Front Wheel nly)
8	124074X427	Rim Asm 12" rear
9	140183	Tire R 23 x 9.5-12 C Service
10	7154J	Tube Rear (Service Item Only)
11	104757X	Cap Axle Blk 1 50 X 1 00
--	144334	Sealant, Tire (1 Doz. Tube)

**NOTE:** All component dimensions given in U.S. inches  
1 inch = 25.4 mm