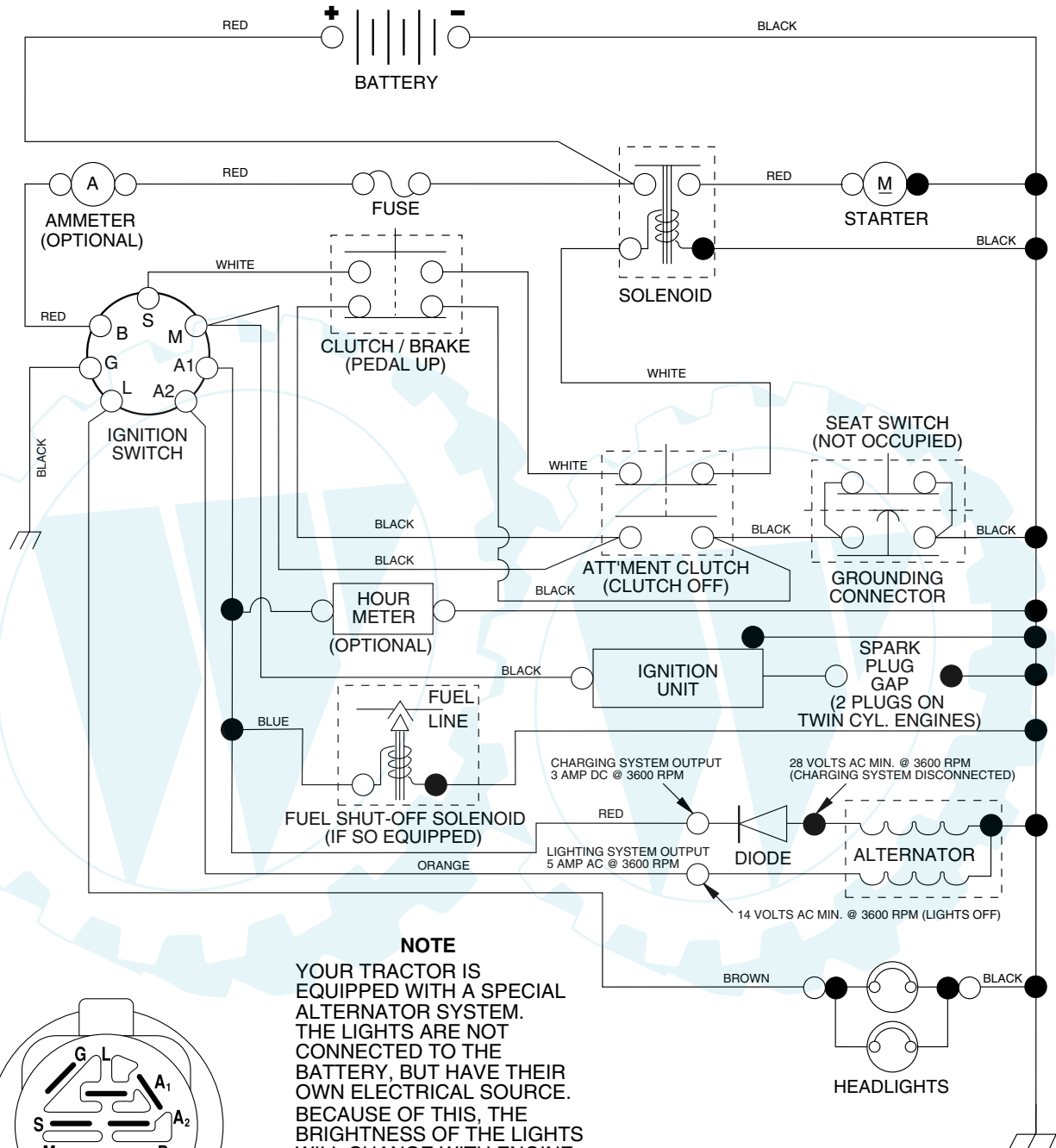


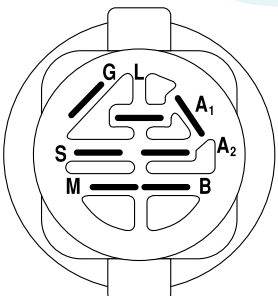
# TRACTOR - - MODEL NUMBER QGT2046A

[www.ersatzteil-service.de](http://www.ersatzteil-service.de)

## SCHEMATIC



**NOTE**  
 YOUR TRACTOR IS EQUIPPED WITH A SPECIAL ALTERNATOR SYSTEM. THE LIGHTS ARE NOT CONNECTED TO THE BATTERY, BUT HAVE THEIR OWN ELECTRICAL SOURCE. BECAUSE OF THIS, THE BRIGHTNESS OF THE LIGHTS WILL CHANGE WITH ENGINE SPEED. AT IDLE THE LIGHTS WILL DIM. AS THE ENGINE IS SPEEDED UP, THE LIGHTS WILL BECOME THEIR BRIGHTEST.



**IGNITION SWITCH**

| POSITION  | CIRCUIT    | "MAKE" |
|-----------|------------|--------|
| OFF       | M+G+A1     | NONE   |
| RUN/LIGHT | B+A1       | A2+L   |
| RUN       | B+A1       | NONE   |
| START     | B + S + A1 | NONE   |

**WIRING INSULATED CLIPS**

**NOTE:** IF WIRING INSULATED CLIPS WERE REMOVED FOR SERVICING OF UNIT, THEY SHOULD BE REPLACED TO PROPERLY SECURE YOUR WIRING.

NON-REMOVABLE CONNECTIONS

REMOVABLE CONNECTIONS



## TRACTOR - - MODEL NUMBER QGT2046A

### ELECTRICAL

| KEY NO. | PART NO. | DESCRIPTION                           |
|---------|----------|---------------------------------------|
| 1       | 163465   | Battery, 12 Volt, 28 Amp              |
| 2       | 74760412 | Bolt, Hex Head 1/4-20 UNC x 3/4       |
| 8       | 7603J    | Tray, Battery                         |
| 10      | 145211   | Bolt, Battery Front 1/4-20 x 7.5 Zinc |
| 11      | 150109   | Holddown Battery Dash Mount           |
| 12      | 145769   | Nut, Push Nylon 1/4" Battery Front    |
| 16      | 153664   | Switch Interlock Push-In              |
| 21      | 166181   | Harness, Light                        |
| 22      | 4152J    | Bulb, Light                           |
| 24      | 4799J    | Cable, Battery, 6 Gauge, 11", Red     |
| 25      | 146148   | Cable, Battery                        |
| 26      | 166180   | Fuse, 15 Amp                          |
| 27      | 73510400 | Nut, Hex, Keps 1/4-20 UNC             |
| 28      | 145491   | Cable, Ground, 6 Gauge, 12", Black    |
| 29      | 121305X  | Switch, Plunger                       |
| 30      | 163968   | Switch, Ignition, Push-In             |
| 33      | 140401   | Key, Ignition                         |
| 40      | 170217   | Harness, Ignition                     |
| 41      | 71110408 | Bolt, Hex, Fin. 1/4-20 x 1/2          |
| 42      | 131563   | Cover, Terminal, Red                  |
| 43      | 145673   | Solenoid                              |
| 45      | 121433X  | Ammeter, Rectangular, 15 AMP          |
| 52      | 141940   | Protection Wire Loop (Hour Meter)     |
| 55      | 17490508 | Screw, Thdrol 5/16-18 x 1/2 TYT       |
| 70      | 170243   | Harness, Engine                       |

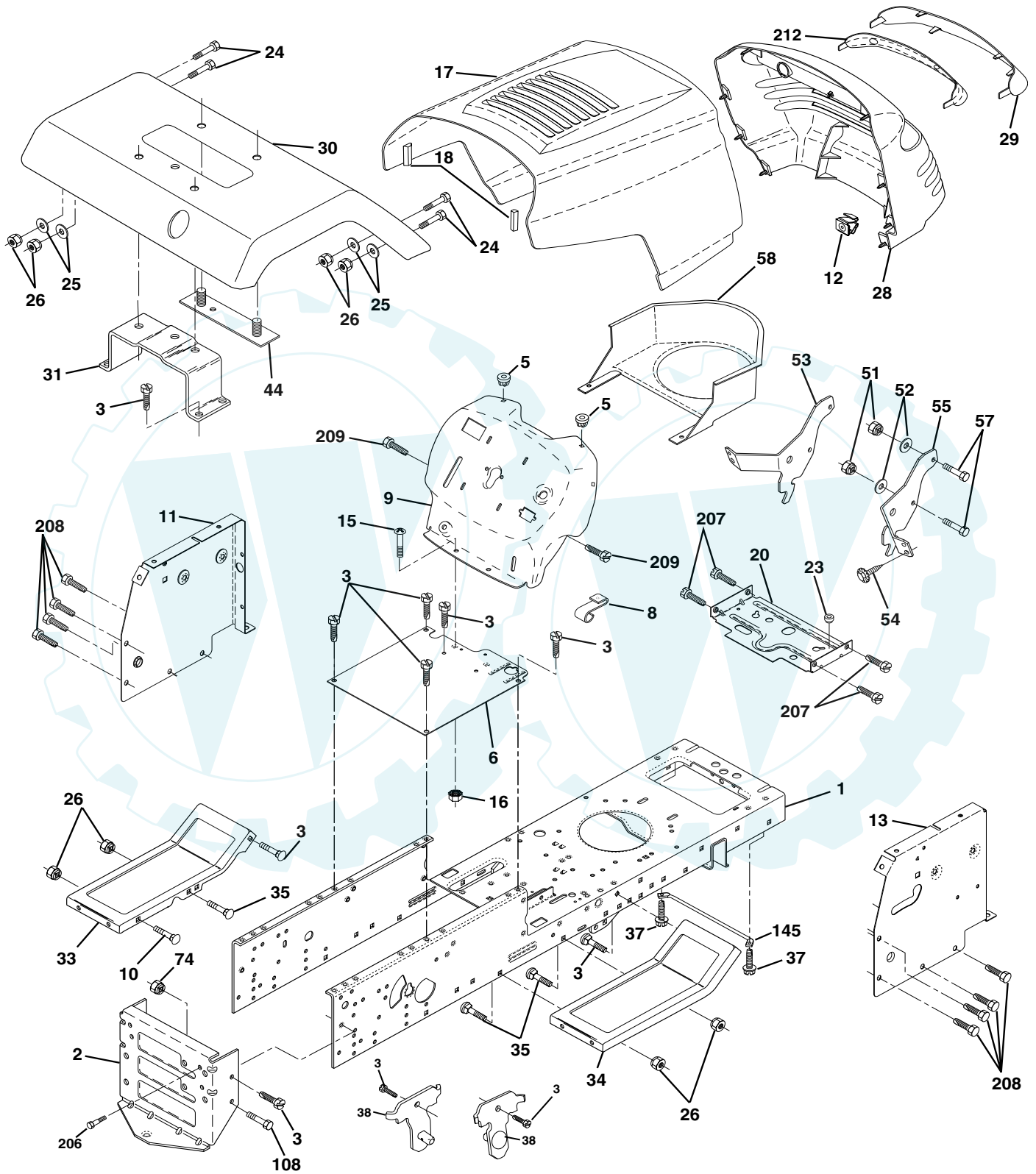
**NOTE:** All component dimensions given in U.S. inches  
1 inch = 25.4 mm

# REPAIR PARTS

[www.ersatzteil-service.de](http://www.ersatzteil-service.de)

## TRACTOR - - MODEL NUMBER QGT2046A

### CHASSIS



## TRACTOR - - MODEL NUMBER QGT2046A

### CHASSIS

| KEY NO. | PART NO.   | DESCRIPTION                       |
|---------|------------|-----------------------------------|
| 1       | 169831     | Chassis Wldmt.                    |
| 2       | 169061     | Drawbar Stretch 94                |
| 3       | 17060612   | Screw 3/8-16 x 3/4                |
| 4       | 19131216   | Washer 13/32 x 3/4 x 16 Ga.       |
| 5       | 155272     | BumperHood/Dash                   |
| 6       | 155923     | Saddle Flat Lt                    |
| 8       | 155138     | Clip Retainer Slide-On            |
| 9       | 168348X012 | Dash Private Label                |
| 10      | 72140608   | Bolt RdHd Sqnk. 3/8-16 Unc x 1    |
| 11      | 156682     | Panel Asm. Dash Lh                |
| 12      | 145660     | Clip Tinnerman Grile P/L          |
| 13      | 172109     | Panel Dash Rh                     |
| 15      | 74180512   | Screw Mach Trhd 5/16-18 Unc x 3/4 |
| 16      | 73510500   | Nut Keps 5/16-18 Unc              |
| 17      | 159639X602 | Hood Pnt STL P/L w/trim           |
| 18      | 126938X    | BumperHood                        |
| 20      | 156437     | Plate Mtg Battery/Fule Tank       |
| 23      | 124028X    | Bushing Snap Nyl Blk Fuel Line    |
| 24      | 74780616   | Bolt Fin Hex 3/8-16 Unc x 1 Gr. 5 |
| 25      | 19131312   | Washer 13/32 x 13/16 x 12 Ga.     |
| 26      | 73800600   | Nut Lock Hex w/Insert 3/8-16 UNC  |
| 28      | 157373     | Grill Private Lable Blk           |
| 29      | 140273X599 | Lens Grille Private label         |
| 30      | 167270X602 | Fender Asm YTGT                   |
| 31      | 137113     | Bracket Fender                    |
| 33      | 145244X602 | Footrest Pnt. Lh                  |
| 34      | 145243X602 | Footrest Pnt. Rh                  |
| 35      | 72110606   | Bolt RdHd Sht. Sqnk. 3/8-16 x 3/4 |
| 37      | 17490508   | Screw Thdrol 5/16-18 x 1/2 Tyt    |
| 38      | 169834     | Bracket Asm Pivot Mower Rear      |
| 44      | 140675     | Strap Asm Fender                  |
| 51      | 73800400   | Nut Lock Hex W/Ins. 1/4-20        |
| 52      | 19091416   | Washer 9/32 x 7/8 x 16 Ga.        |
| 53      | 144697     | Bracket Grille LH                 |
| 54      | 161464     | Screw Hex Wshd 8-18 x 7/8         |
| 55      | 144696     | Bracket, Grille RH                |
| 57      | 74780412   | Bolt Fin Hex 1/4-20 x .75         |
| 58      | 162266     | Air Duct Private Label            |
| 74      | 73680600   | Nut Crownlock 3/8-16 Unc          |
| 108     | 74760612   | Bolt Fin Hex 3/8-16 Unc x 3/4     |
| 145     | 156524     | Rod Pivot Chassis/Hood            |
| 206     | 170165     | Bolt Shoulder 5/16-18             |
| 207     | 17670508   | Screw Thdrol 5/16-18 x 1/2        |
| 208     | 17670608   | Screw Thdrol 3/8-16 x 1/2         |
| 209     | 17000612   | Screw Hex wsh Thdrol 3/8-16 x 3/4 |
| --      | 5479J      | Plug Btn Blk                      |

**NOTE:** All component dimensions given in U.S. inches  
1 inch = 25.4 mm



## TRACTOR - - MODEL NUMBER QGT2046A

### DRIVE

| KEY NO. | PART NO. | DESCRIPTION  | KEY NO. | PART NO.   | DESCRIPTION                       |
|---------|----------|--|---------|------------|-----------------------------------|
| 1       | -----    | Transaxle, Peerless Model 820-016D (Order Parts From Transaxle Manufacturer) | 63      | 140186     | Pulley, Engine                    |
| 2       | 146682   | Spring, Brake Return   | 64      | 71170764   | Bolt, Hex 7/16-20 x 4-1/4         |
| 3       | 121327X  | Pulley, Transaxle (Driven)   | 65      | 10040700   | Washer, Lock Hvy Hlcl Spr 7/16    |
| 4       | 12000004 | Ring, Retainer   | 66      | 154778     | Keeper Belt Engine F-proof        |
| 5       | 123787X  | Strap, Torque  | 70      | 162848     | Keeper Belt Engine                |
| 6       | 17060512 | Screw, 5/16-18 x 3/4   | 72      | 19132012   | Washer 13/32 x 1-1/4 x 12 Ga.     |
| 8       | 166020   | Rod Shift Fender Adjust Yt   | 74      | 108097X    | Spacer, Split                     |
| 10      | 76020416 | Pin, Cotter 1/8 x 1  | 76      | 12000053   | E-Ring                            |
| 11      | 105701X  | Washer, Shift Plate  | 77      | 9396E      | Key Square 1/4 x 2                |
| 13      | 74550412 | Bolt 1/4-28 UNF Gr. 8 w/Patch  | 79      | 2228M      | Key, Woodruff #9                  |
| 14      | 10040400 | Washer Lock Hvy Helical  | 80      | 123794X    | Shift Arm                         |
| 19      | 73800600 | Nut, Lock Hex w/Ins. 3/8-16 UNC  | 81      | 165601     | Shaft Asm Cross Tapered P820.23"  |
| 21      | 106933X  | Knob   | 82      | 123782X    | Spring, Torsion                   |
| 22      | 145340   | Rod, Brake   | 83      | 19171216   | Washer 17/32 x 3/4 x 16 Gauge     |
| 24      | 73350600 | Nut, Hex Jam 3/8-16  | 84      | 166230     | Link Transaxle P820/23" Zinc      |
| 25      | 126909X  | Spring, Rod, Brake   | 85      | 150360     | Nut Lock Center 1/4-28 Fnthd      |
| 26      | 19131016 | Washer 13/32 x 5/8 x 16 Ga.  | 89      | 139992X428 | Console, 6 Speed                  |
| 27      | 76020412 | Pin, Cotter 1/8 x 3/4  | 90      | 124346X    | Nut, Washer Head, Self-Thread 1/4 |
| 28      | 145204   | Rod, Brake, Park   | 96      | 4497H      | Retainer Spring 1" Zinc/cad.      |
| 29      | 71673    | Cap, Brake Parking Black   | 110     | 74760612   | Bolt Hex 3/8-16 x 3/4             |
| 30      | 123780X  | Bracket, Transaxle, L.H.   | 111     | 123776X    | Bracket, Transaxle, R.H.          |
| 31      | 123791X  | Keeper, Belt, Transaxle, L.H.  | 116     | 72110610   | Bolt Rdhd Sq Neck 3/8-16 x 1/25   |
| 34      | 155071   | Shaft, Foot Pedal  | 117     | 19091216   | Washer 9/32 x 3/4 x 16 Gauge      |
| 35      | 120183X  | Bearing Nylon  | 135     | 123800X    | Washer 1-1/32 x 1-5/8 x 16 Gauge  |
| 36      | 19211616 | Washer 21/32 x 1 x 16 Ga.  | 145     | 74490540   | Bolt Hex Flghd 5/16-18 x Gr. 5    |
| 37      | 1572H    | Pin, Roll 3/16 x 1   | 150     | 165850     | Bushing Bellcrank                 |
| 38      | 131494   | Idler, Flat  | 151     | 19133210   | Washer 13/32 x 2 x 10 Ga.         |
| 39      | 72110622 | Bolt Rdhd 3/8-16 Unc x 2-3/4 Gr. 5   | 156     | 166002     | Washer Srrted 5/16ID x 1.125      |
| 40      | 4470J    | Spacer   | 158     | 165589     | Bracket Shift Mount               |
| 41      | 165838   | Keeper, Idler  | 159     | 165494     | Hub Tapered Flange Shift Lt       |
| 42      | 19131312 | Washer 13/32 x 13/16 x 12 Ga.  | 161     | 72140406   | Bolt Rdhd Sqnk 1/4-20 x 3/4 Gr 5  |
| 47      | 127783   | Pulley, Idler  | 162     | 73680400   | Nut Crownlock 1/4-20 Unc          |
| 48      | 154407   | Bellcrank Clutch Grnd Drv Stl  | 163     | 74780416   | Bolt Hex Fin 1/4-20 Unc x 1 Gr 5  |
| 49      | 123205X  | Retainer, Belt   | 164     | 19091010   | Washer 5/8 x .281 x 10 Ga         |
| 50      | 74760624 | Bolt, Hex 3/8-16 x 1-1/2   | 165     | 165623     | Bracket Pivot Lever               |
| 51      | 73680600 | Nut, Crownlock 3/8-16  | 166     | 166880     | Screw 5/16-18 x 5/8               |
| 53      | 105710X  | Link, Clutch   | 168     | 165492     | Bolt Shoulder 5/16-18 x .561      |
| 54      | 126471X  | Clip, Insulator  | 169     | 165581     | Plate Fastening Lt                |
| 55      | 105709X  | Spring, Return, Clutch   | 171     | 17490608   | Screw Thdrol 3/8-16 x 1/2 Ty-Tt   |
| 56      | 74760620 | Bolt, Hex 3/8-16 x 1-1/4   | 197     | 169613     | Nyliner Snap-In 5/8" Id           |
| 57      | 163817   | V-Belt, Drive  | 198     | 169593     | Washer Nyl 7/8 Id x .105          |
| 58      | 123792X  | Keeper, Belt, Transaxle, R.H.  | 202     | 72110612   | Bolt Carr Sh 3/8-16 x 1-1/2 Gr.5  |
| 59      | 169595   | Keeper Belt Centerspan   |         |            |                                   |
| 61      | 17060612 | Screw 3/8-16 x 3/4   |         |            |                                   |
| 62      | 8883R    | Cover, Foot Pedal  |         |            |                                   |

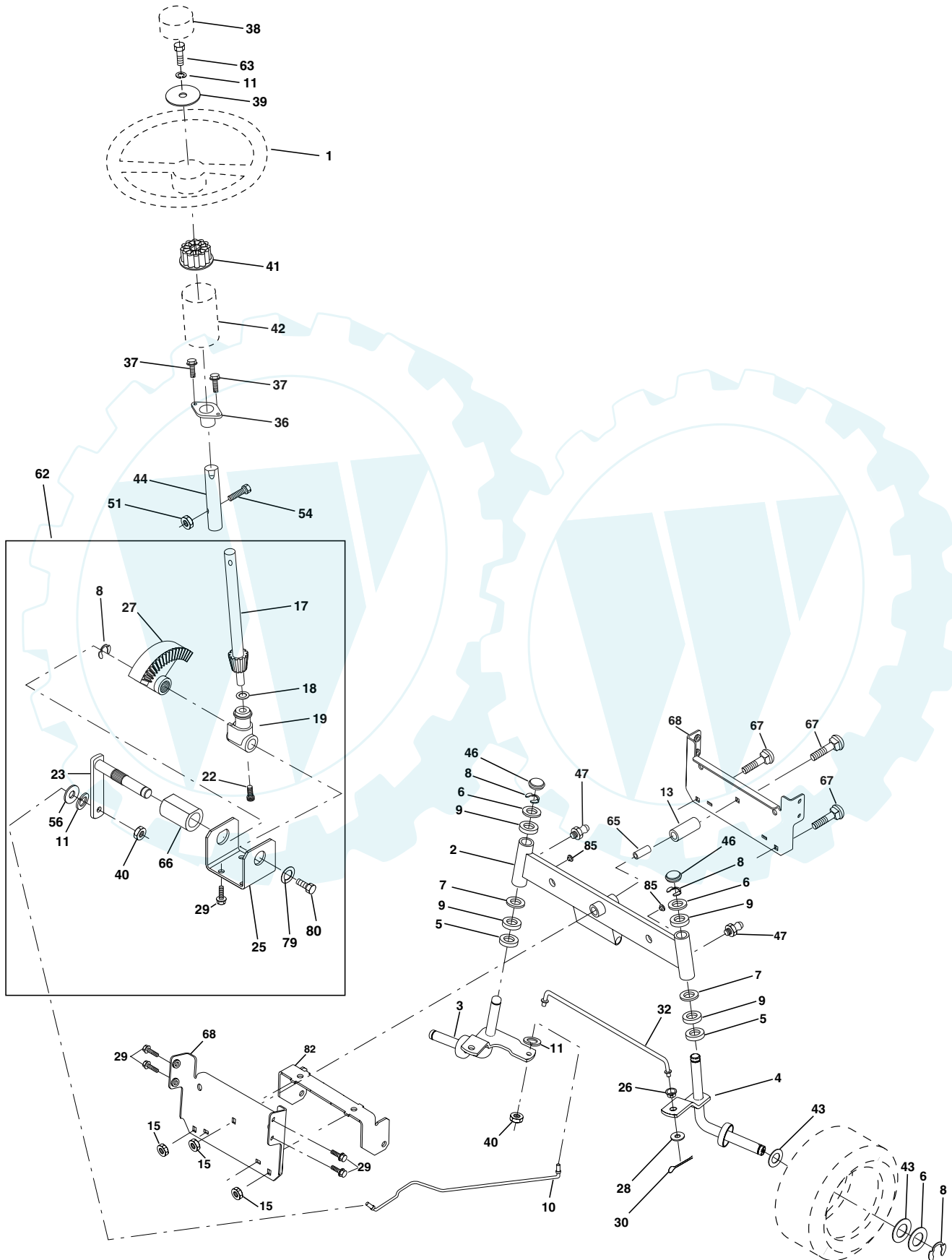
**NOTE:** All component dimensions given in U.S. inches\ 1 inch = 25.4 mm

# REPAIR PARTS

[www.ersatzteil-service.de](http://www.ersatzteil-service.de)

## TRACTOR - - MODEL NUMBER QGT2046A

### STEERING ASSEMBLY





## TRACTOR - - MODEL NUMBER QGT2046A

### STEERING ASSEMBLY

| KEY NO. | PART NO.   | DESCRIPTION                      |
|---------|------------|----------------------------------|
| 1       | 140044     | Wheel Steering Auto Black        |
| 2       | 154427     | Axle Asm Front                   |
| 3       | 169840     | Spindle Asm Lh                   |
| 4       | 169839     | Spindle Asm Rh                   |
| 5       | 6266H      | Bearing Race Thrust Harden       |
| 6       | 121748X    | Washer 25/32 X 1 5/8 X 16ga      |
| 7       | 19272016   | Washer 27/32 X 1 1/4 X 16 Ga     |
| 8       | 12000029   | Ring Klip #t5304-75              |
| 9       | 3366R      | Bearing Col Strg Blk             |
| 10      | 169832     | Link Drag                        |
| 11      | 10040600   | Lockwasher                       |
| 13      | 136518     | Spacer Bearing Axle Front        |
| 15      | 145212     | Nut Hex Flange Lock              |
| 17      | 156546     | Shaft Asm Strg 5/8 X 15 19 Lt    |
| 18      | 57079      | Washer Thrust 515x 750x 033      |
| 19      | 160395     | Support Shaft                    |
| 22      | 165857     | Screw Hex WshHd Torx             |
| 23      | 165851     | Shaft Asm Pittman                |
| 25      | 154406     | Bracket Steering                 |
| 26      | 126847X    | Bushing Rod Tie Blk Lt           |
| 27      | 136874     | Gear Sector                      |
| 28      | 19131416   | Washer 13/32 X 7/8 X 16ga        |
| 29      | 17060612   | Screw 3/8-16x3/4                 |
| 30      | 76020412   | Pin                              |
| 32      | 130465     | Rod Tie Wire Form 19 75 Mech     |
| 36      | 155099     | Bushing Strg 5/8 Id Dash         |
| 37      | 152927     | Screw TT #10-32 x 5 x 3/8 Flange |
| 38      | 140045     | Insert Cap Strg                  |
| 39      | 19133812   | Washer 13/32 X 2-3/8 X12 Ga      |
| 40      | 7810H      | Locknut Center                   |
| 41      | 100711L    | Adaptor Wheel Strg 640/ 635id    |
| 42      | 145054X428 | Boot Dash Steering               |
| 43      | 121749X    | Washer 25/32 X 1 1/4 X 16 Ga     |
| 44      | 153720     | Extension Steering Non-Adjust    |
| 46      | 121232X    | Cap Spindle Fr Top Blk           |
| 47      | 6855M      | Fitting Grease                   |
| 51      | 73800500   | Nut Lock Hex W/Ins.              |
| 54      | 74780520   | Bolt Fin Hex 5/16-18 Unc P       |
| 56      | 19131210   | Washer 13/32 x 3/4 x 10 Ga.      |
| 62      | 167902     | Kit Steering Assembly Service    |
| 63      | 74780616   | Bolt Fin Hex 3/8-16unc x Gr. 5   |
| 65      | 160367     | Spacer Axle                      |
| 66      | 154404     | Bearing Arm Pittman              |
| 67      | 72140618   | Bolt Rdhd Sq 3/8-16 Unc x 2-1/4  |
| 68      | 169827     | Brace Axle                       |
| 79      | 19132012   | Washer 13/32 x 1-1/4 x 12 Ga.    |
| 80      | 74950612   | Bolt Hex Nylon 3/8-16 x 3/4      |
| 82      | 169835     | Bracket Susp Chassis Front       |
| 85      | 133835     | Fastner Christmas Tree           |

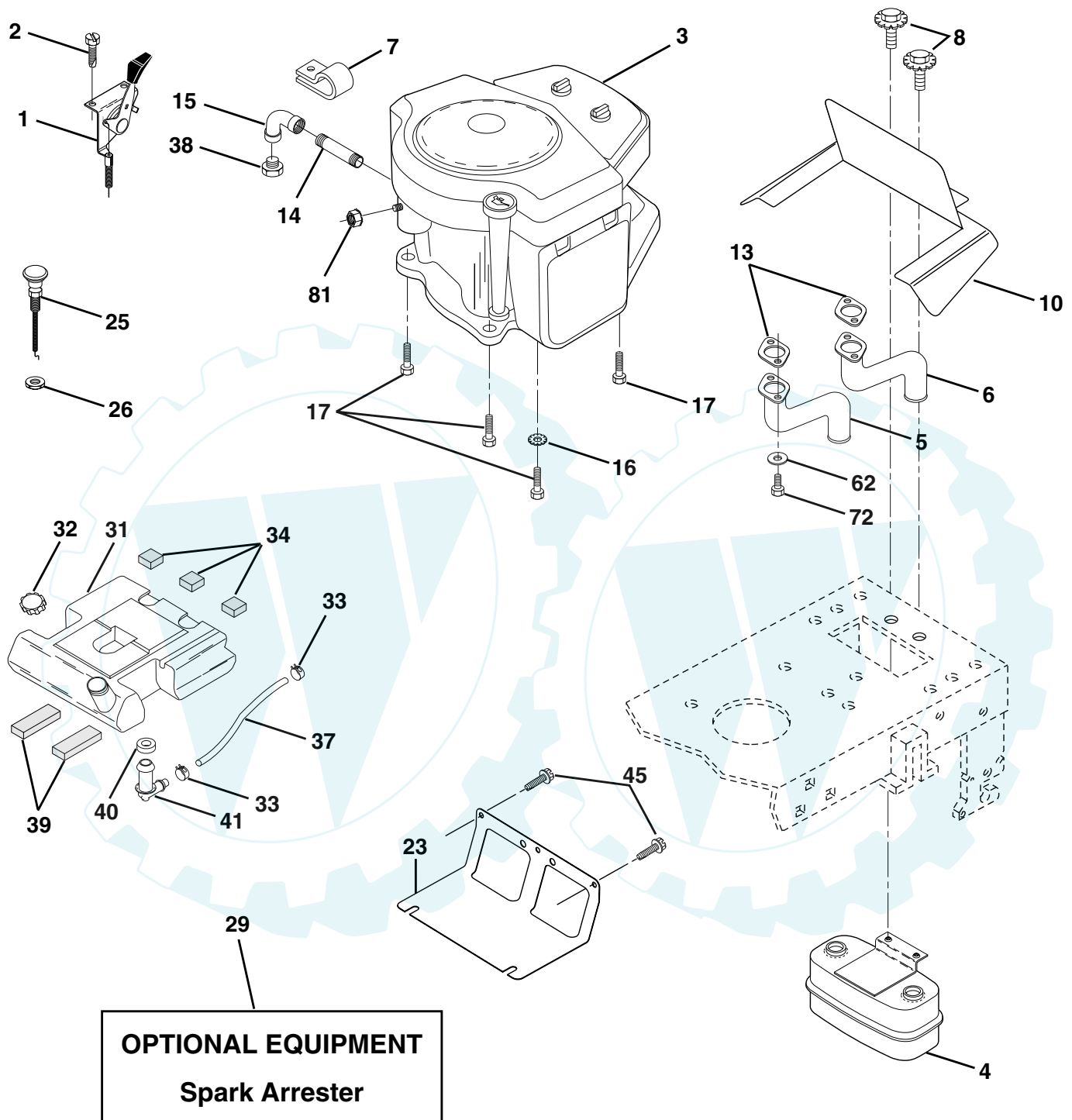
**NOTE:** All component dimensions given in U.S. inches  
1 inch = 25.4 mm

# REPAIR PARTS

[www.ersatzteil-service.de](http://www.ersatzteil-service.de)

## TRACTOR - - MODEL NUMBER QGT2046A

### ENGINE



## TRACTOR - - MODEL NUMBER QGT2046A

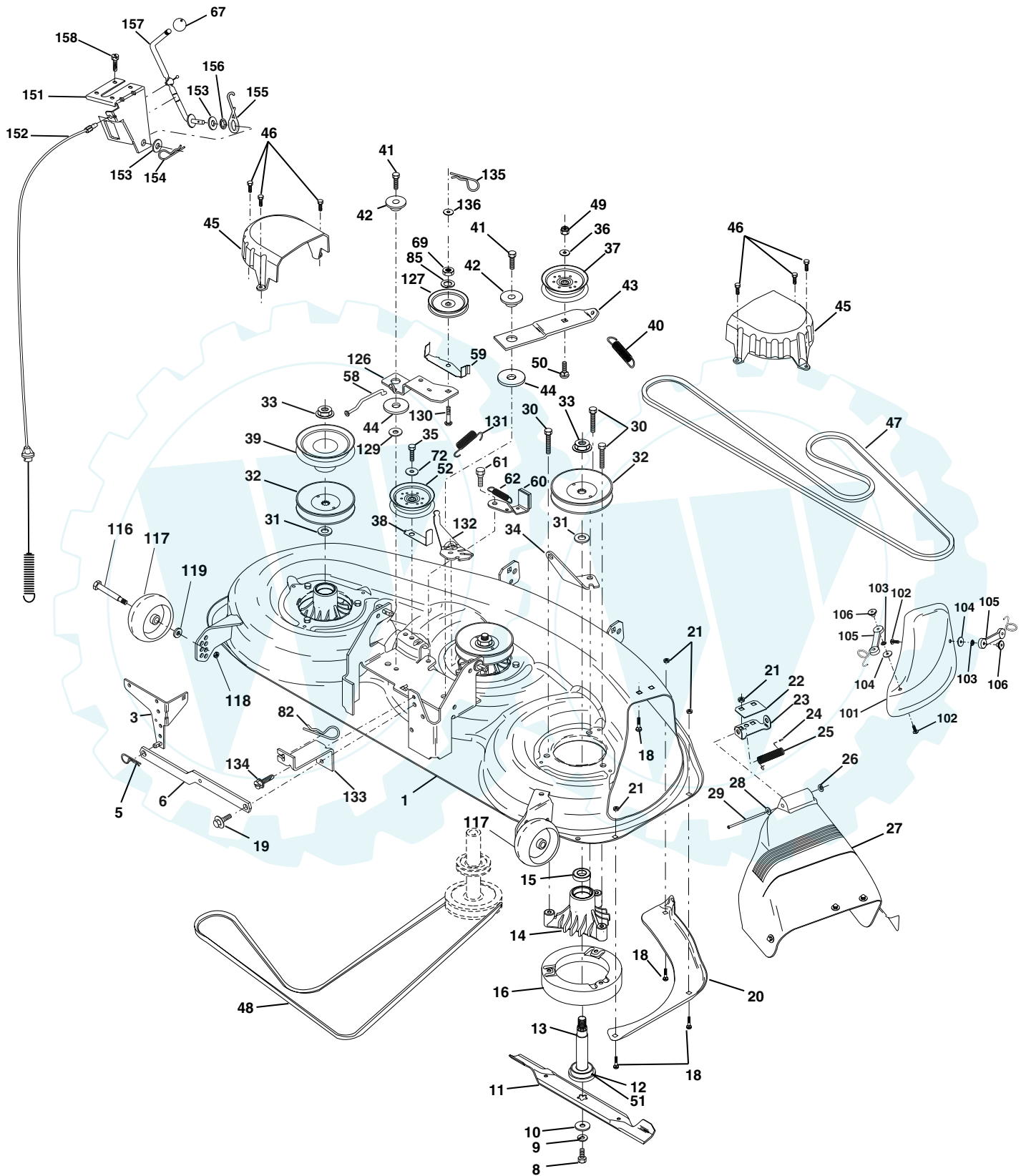
### ENGINE

| KEY NO. | PART NO. | DESCRIPTION   |
|---------|----------|---|
| 1       | 148875   | Control, Throttle   |
| 2       | 17720410 | Screw, Hex Head, Thread Cutting 1/4-20 x 5/8                              |
| 3       | -----    | Engine, B&S Model Number 407777<br>(Order Parts From Engine Manufacturer) |
| 4       | 149723   | Muffler   |
| 5       | 159955   | Tube, Manifold, LH  |
| 6       | 160589   | Tube, Manifold, RH  |
| 7       | 126470X  | Clip Insulated  |
| 8       | 150176   | Bolt 5/16-18 UNC x 3/4 w/Sems   |
| 10      | 162797   | Shield, Browning  |
| 13      | 165391   | Muffler Gasket  |
| 14      | 13280336 | Nipple, Pipe 3/8 NPT x 4-1/2  |
| 15      | 13200300 | Elbow, Standard 90° 3/8-18 NPT  |
| 16      | 11050600 | Washer, Lock, External Tooth 3/8  |
| 17      | 17490624 | Screw Thdrol 3/8-16 x 1-1/2   |
| 23      | 169837   | Shield, Browning / Debris Guard   |
| 25      | 145996   | Choke Control   |
| 26      | 73920600 | Nut, Keps 3/8-24 UNF  |
| 29      | 137180   | Kit, Spark Arrestor   |
| 31      | 151346   | Tank Fuel 3 50 Rear   |
| 32      | 140527   | Cap Asm Fuel W/sym Vented   |
| 33      | 123487X  | Clamp, Hose   |
| 34      | 106082X  | Pad, Spacer   |
| 37      | 8543R    | Line, Fuel  |
| 38      | -----    | Plug, Oil Drain (Order From Engine Manufacturer)                          |
| 39      | 109227X  | Pad, Idler  |
| 40      | 3645J    | Bushing   |
| 41      | 139277   | Stem, Fuel Tank   |
| 45      | 17000612 | Screw Hex wsh Thdrol 3/8-16 x 3/4   |
| 62      | 10040500 | Washer Lock 5/16  |
| 72      | 71070512 | Screw Hex Hd Cap 5/16-18 x 3/4  |
| 81      | 73510400 | Nut Keps Hex 1/4-20 Unc   |

**NOTE:** All component dimensions given in U.S. inches.  
1 inch = 25.4 mm

## TRACTOR - - MODEL NUMBER QGT2046A

### MOWER DECK



## TRACTOR - - MODEL NUMBER QGT2046A

### MOWER DECK

| KEY NO. | PART NO. | DESCRIPTION   | KEY NO. | PART NO. | DESCRIPTION  |
|---------|----------|---|---------|----------|--|
| 1       | 164210   | Deck Asm., Mower 46"                                | 58      | 165906   | Rod Brake 46"  |
| 3       | 138457   | Bracket Asm., Sway Bar                              | 59      | 157034   | Guide Bolt 46" Mower Dr  |
| 5       | 4939M    | Retainer Spring                                     | 60      | 156722   | Arm Asm Brake 46"  |
| 6       | 130832   | Arm, Suspension, Rear (Sway Bar)                    | 61      | 161315   | Bolt Shld 5/16-18  |
| 8       | 850857   | Bolt, Patched 3/8-24 x 1-1/4 Gr. 8                  | 62      | 131870   | Spring Return  |
| 9       | 10030600 | Washer, Lock Hvy., Unplated 3/8                     | 67      | 106932X  | Knob Rd 3/8-16 Plstc Thds Blk  |
| 10      | 140296   | Washer, Hard Blade, Mower Vented                    | 69      | 73350600 | Nut Hex Jam 3/8-16 Unc   |
| 11      | 170698   | Blade Hi-Perf 46"                                   | 72      | 19131316 | Washer 13/32 x 1 x 16 Ga.  |
| 12      | 129895   | Bearing, Ball, Mandrel #6204                        | 82      | 4497H    | Retainer Spring  |
| 13      | 137553   | Shaft Asm. w/Lower Bearing<br>(Includes Key No. 12) | 85      | 10040600 | Washer Lock 3/8  |
| 14      | 137152   | Housing, Mandrel                                    | 101     | 145579   | Cover Mulcher 46" Black  |
| 15      | 110485X  | Bearing, Ball, Mandrel                              | 102     | 71161010 | Screw Truss Hd Phil 10-24 x 5/8  |
| 16      | 140329   | Stripper, Mower Round                               | 103     | 10071000 | Washer Lock #10  |
| 18      | 72140505 | Bolt, Carriage 5/16-18 x 5/8                        | 104     | 19061216 | Washer #10   |
| 19      | 132827   | Bolt, Hex Head, Shoulder 5/16-18                    | 105     | 130758   | Latch Asm Bagger   |
| 20      | 145055   | Baffle, Vortex Mower 46"                            | 106     | 2029J    | Nut Weld .327/.304 #10-24  |
| 21      | 73680500 | Nut, Crownlock 5/16-18 UNC                          | 116     | 4898H    | Bolt, Shoulder   |
| 22      | 134753   | Stiffener, Bracket                                  | 117     | 165746   | Gauge Wheel  |
| 23      | 131267   | Bracket, Deflector                                  | 118     | 73930600 | Nut, Centerlock 3/8-16 UNC   |
| 24      | 105304X  | Cap, Sleeve   | 119     | 19121414 | Washer 3/8 x 7/8 x 14 Ga.  |
| 25      | 149287   | Spring, Torsion, Deflector                          | 126     | 156472   | Arm, Idler, Primary Deck 46"   |
| 26      | 110452X  | Nut, Push   | 127     | 146763   | Pulley, Idler, V-Groove Dim. 4.25  |
| 27      | 166883   | Shield, Deflector Mower                             | 129     | 19133808 | Washer 13/32 x 2-3/8 x 8 Ga  |
| 28      | 19111016 | Washer 11/32 x 5/8 x 16 Ga.                         | 130     | 165891   | Bolt Carriage Idler  |
| 29      | 131491   | Rod, Hinge  | 131     | 169022   | Spring Return Idler  |
| 30      | 157722   | Screw, Thdroll Washer Head                          | 132     | 165890   | Arm Spring Brake Mower   |
| 31      | 129963   | Washer, Spacer Mower Vented                         | 133     | 165904   | Bracket Anchor Cable 46"   |
| 32      | 153531   | Pulley, Mandrel                                     | 134     | 17490512 | Screw Thdroll 5/16-18 x 3/4  |
| 33      | 137266   | Nut, Flg. Top Lock Cntr. 9/16                       | 135     | 165898   | Retainer Spring Yellow   |
| 34      | 144945   | Anchor, Spring Deck 46"                             | 136     | 19091216 | Washer 9/32 x 3/4 x 16 Ga  |
| 35      | 17490628 | Screw, Thdroll 3/8-16 x 1-3/4 Tytt                  | 151     | 169670   | Bracket Clutch Cable   |
| 37      | 131494   | Pulley, Idler, Flat                                 | 152     | 170328   | Clutch Cable 38"/46"   |
| 38      | 156085   | Keeper, Belt, Idler                                 | 153     | 169674   | Washer Flat 3/8" Type B  |
| 39      | 144917   | Pulley, Idler, Driven                               | 154     | 169675   | Spring Retainer  |
| 40      | 137273   | Spring, Secondary 44/46/50 Vent                     | 155     | 169671   | Spring Retension Q   |
| 41      | 17060620 | Screw 3/8-16 x 1-1/4                                | 156     | 169672   | SPacer Clutch Cable  |
| 42      | 165723   | Spacer, Retainer                                    | 157     | 169669   | Rod Clutch Cable 3/8"  |
| 43      | 144949   | Arm, Idler Secondary                                | 158     | 17720410 | Screw Hex Thd Cut 1/4-20 x 5/8   |
| 44      | 133943   | Washer, Hardened                                    | --      | 143651   | Mandrel Asm 44"/46"/50" Service  |
| 45      | 145059   | Cover, Mandrel Deck                                 | --      | 152443   | Blade Mulch 46"  |
| 46      | 137729   | Screw, Thdroll. 1/4-20 x 5/8                        | --      | 172497   | Deck Complete (Std. Deck-Order<br>separately mulch plate and gauge<br>wheel components Key Nos. 101-<br>106 and 116-118) |
| 47      | 144959   | V-Belt, Mower, Secondary                            |         |          |  |
| 48      | 139573   | V-Belt, Mower, Primary                              |         |          |  |
| 49      | 73680600 | Nut, Crownlock 3/8-16 UNC                           |         |          |  |
| 50      | 72110612 | Bolt, Carriage 3/8-16 x 1-1/2 Gr. 5                 |         |          |  |
| 51      | 153390   | Washer Felt   |         |          |  |
| 52      | 165888   | Pulley Idler Flat                                   |         |          |  |

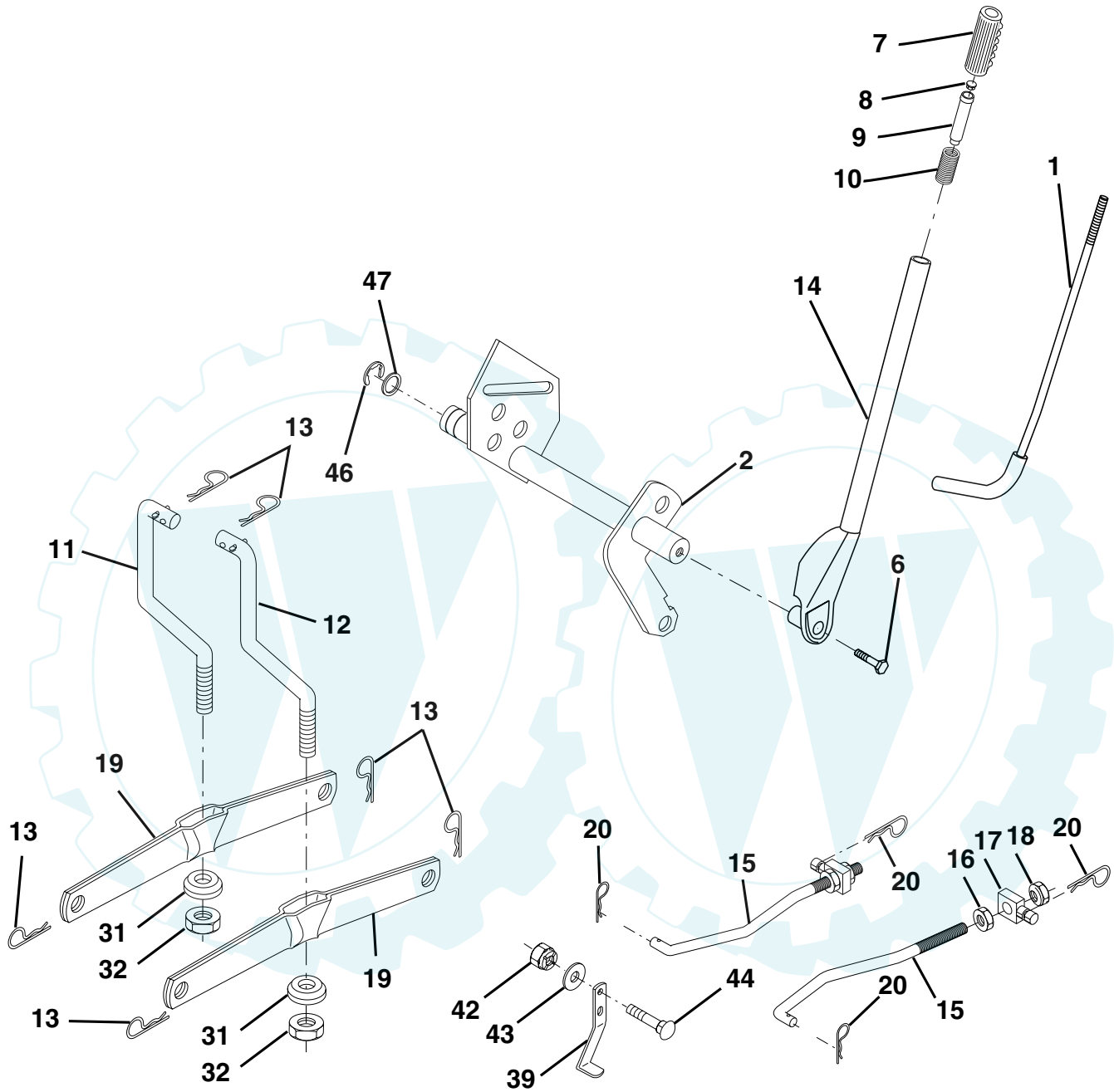
**NOTE:** All component dimensions given in U.S. inches  
1 inch = 25.4 mm

# REPAIR PARTS

[www.ersatzteil-service.de](http://www.ersatzteil-service.de)

## TRACTOR - - MODEL NUMBER QGT2046A

### MOWER LIFT



## TRACTOR - - MODEL NUMBER QGT2046A

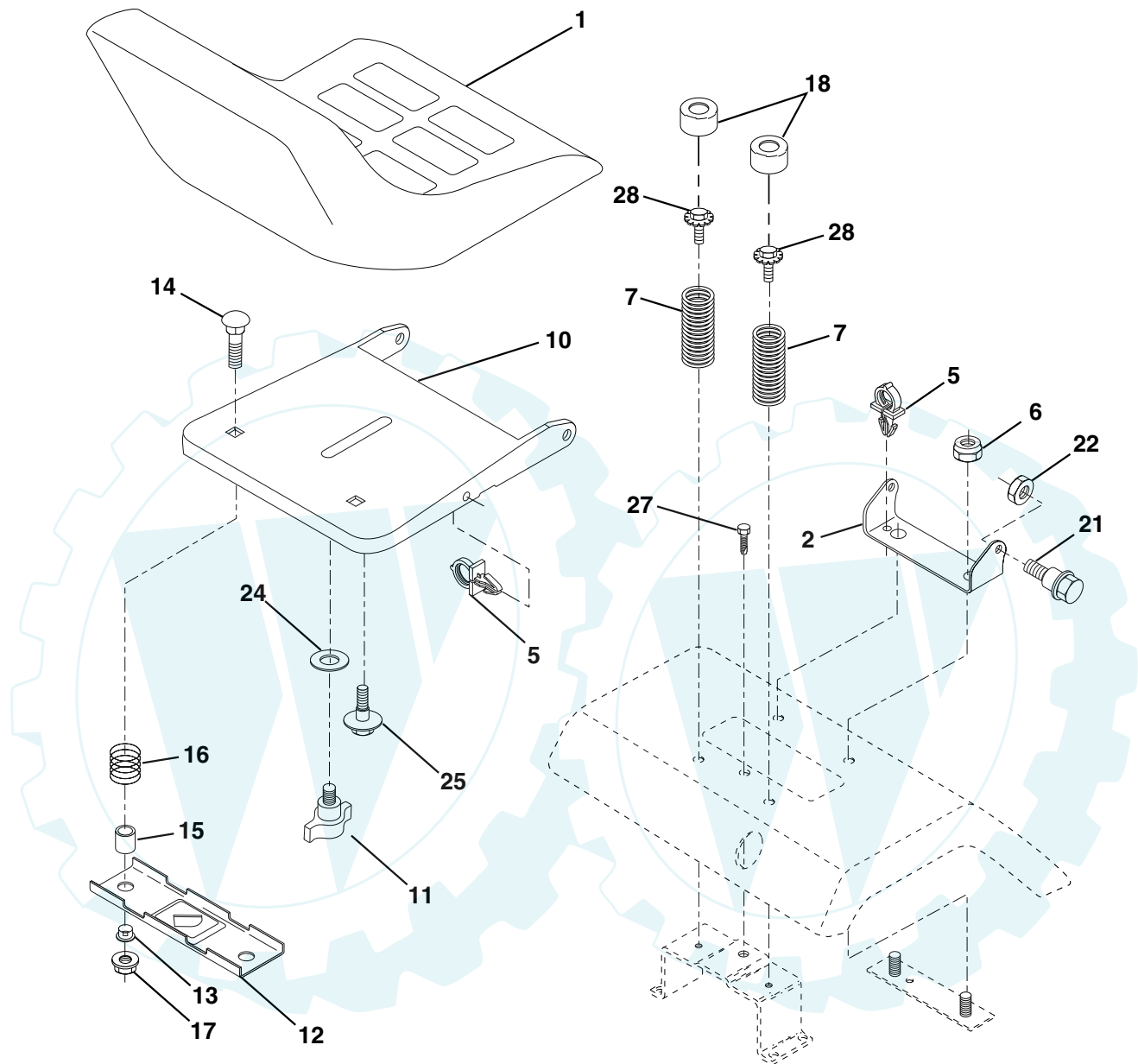
### MOWER LIFT

| KEY NO. | PART NO. | DESCRIPTION                         |
|---------|----------|-------------------------------------|
| 1       | 121006X  | Rod Assembly, Lever                 |
| 2       | 159188   | Shaft Assembly, Lift                |
| 6       | 74780624 | Bolt, Hex Head, Fin. 3/8-16 x 1-1/2 |
| 7       | 109413X  | Grip Handle                         |
| 8       | 124526X  | Button Plunger Black                |
| 9       | 122364X  | Plunger Lever Lift                  |
| 10      | 2876H    | Spring                              |
| 11      | 145537   | Link, Lift, LH                      |
| 12      | 145536   | Link, Lift, RH                      |
| 13      | 4939M    | Retainer Spring                     |
| 14      | 159189   | Lever Assembly, Lift, RH            |
| 15      | 173288   | Link, Front                         |
| 16      | 73350800 | Nut, Hex, Jam 1/2-13 UNC            |
| 17      | 130171   | Trunnion                            |
| 18      | 73800800 | Nut Lock W/Wsh 1/2-13 Unc           |
| 19      | 139868   | Arm, Suspension, Rear               |
| 20      | 163552   | Retainer Spring                     |
| 31      | 169865   | Bearing                             |
| 32      | 73540600 | Nut, Crownlock 3/8-24               |
| 39      | 142992   | Stop Over Center                    |
| 42      | 73680600 | Nut, Crownlock 3/8-16 UNC           |
| 43      | 19131612 | Washer 13/32 x 1 x 12 Ga.           |
| 44      | 72240608 | Bolt, Carriage 3/8-16 x 1.00        |
| 46      | 12000022 | E-Ring                              |
| 47      | 19292016 | Washer                              |

**NOTE:** All component dimensions given in U.S. inches  
1 inch = 25.4 mm

## TRACTOR - - MODEL NUMBER QGT2046A

### SEAT ASSEMBLY



| KEY NO. | PART NO. | DESCRIPTION                    |
|---------|----------|--------------------------------|
| 1       | 127428   | Seat                           |
| 2       | 140551   | Pivot Bracket, Seat            |
| 5       | 145006   | Clip, Push-in Hinged           |
| 6       | 73800600 | Nut, Lock Hex w/Ins 3/8-16 UNC |
| 7       | 124181X  | Spring, Seat                   |
| 10      | 155925   | Pan, Seat                      |
| 11      | 166369   | Knob, Seat, Black              |
| 12      | 121246X  | Bracket, Switch Mounting       |
| 13      | 121248X  | Bushing, Snap, Black, Nylon    |
| 14      | 72050412 | Bolt, Carriage 1/4-20 x 1-1/2  |
| 15      | 134300   | Spacer, Split .28 x .96        |

| KEY NO. | PART NO. | DESCRIPTION                      |
|---------|----------|----------------------------------|
| 16      | 121250X  | Spring                           |
| 17      | 123976X  | Locknut, Flange 1/4 Grade 5      |
| 18      | 124238X  | Cap Spring Seat Blk 1.75 x 1.0   |
| 21      | 171852   | Bolt, Shoulder 5/16-18 Unc -2A   |
| 22      | 73800500 | Nut Lock Hex W/Ins 5/16-18 Unc   |
| 24      | 19171912 | Washer 17/32 x 1-3/16 x 12 Gauge |
| 25      | 127018X  | Bolt, Shoulder 5/16-18 x .62     |
| 27      | 17490608 | Screw Thdrol 3/8-16 x 3/4        |
| 28      | 171877   | Bolt 5/16-18 UNC x 3/4 w/Sems    |

**NOTE:** All component dimensions given in U.S. inches  
1 inch = 25.4 mm

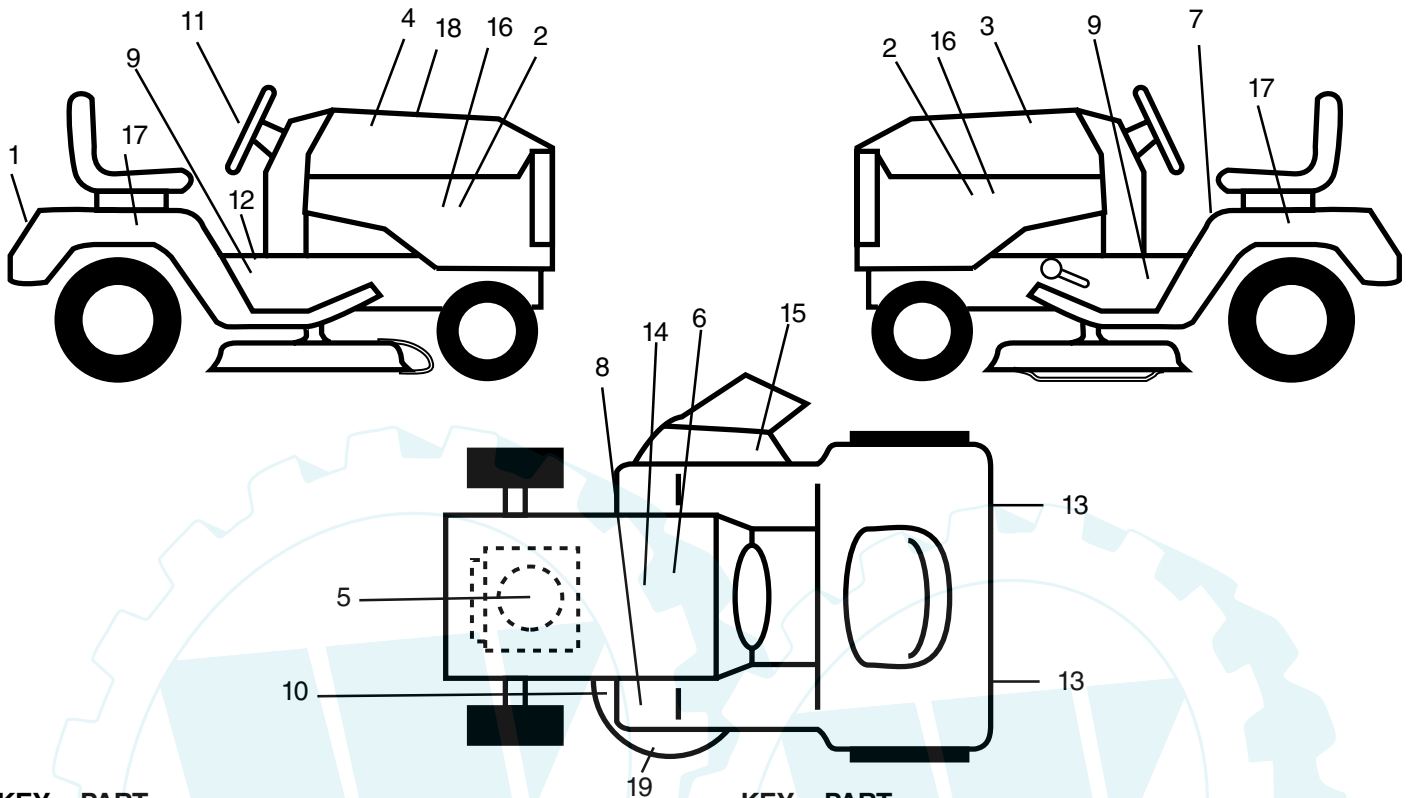


# REPAIR PARTS

[www.ersatzteil-service.de](http://www.ersatzteil-service.de)

## TRACTOR - - MODEL NUMBER QGT2046A

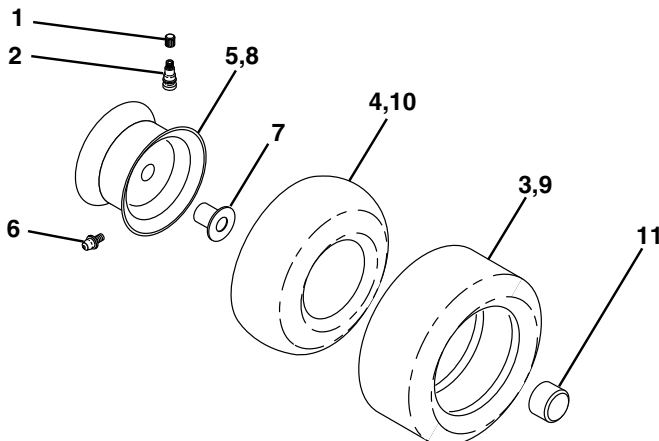
### DECALS



| KEY NO. | PART NO. | DESCRIPTION                 |
|---------|----------|-----------------------------|
| 1       | 172372   | Decal Fender                |
| 2       | 172376   | Decal Side Panel            |
| 3       | 172580   | Decal Hood LH               |
| 4       | 172579   | Decal Hood RH               |
| 5       | 173000   | Decal HP Engine             |
| 6       | 168427   | Decal Battery               |
| 7       | 157002   | Decal Danger Fender English |
| 8       | 4900J    | Decal Clutch/brake English  |
| 9       | 173256   | Decal Chassis               |
| 10      | 139346   | Decal V-Belt Sch            |
| 11      | 172375   | Decal Steering              |

| KEY NO. | PART NO.   | DESCRIPTION                    |
|---------|------------|--------------------------------|
| 12      | 156876     | Decal Oper sDL Eng/Fr          |
| 13      | 106202X    | Reflector Taillight            |
| 14      | 145005     | Decal, Btry Dngr/Psn           |
| 15      | 170563     | Decal, Warning Mower           |
| 16      | 173260     | Decal Panel                    |
| 17      | 172584     | Decal Fender Side              |
| 18      | 172913     | Decal Replacement Hood         |
| 19      | 168548     | Decal Deck Mulch/Vented        |
| --      | 157199X428 | Pad, Footrest                  |
| --      | 138311     | Decal Handle Lft Height Adjust |
| --      | 172749     | Manual, Owner's (English)      |

### WHEELS & TIRES



| KEY NO. | PART NO.   | DESCRIPTION                       |
|---------|------------|-----------------------------------|
| 1       | 59192      | Cap Valve Tire                    |
| 2       | 65139      | Stem Valve                        |
| 3       | 106222X    | Tire Front                        |
| 4       | 59904      | Tube Front (Service Item Only)    |
| 5       | 106732X427 | Rim Asm 6" front                  |
| 6       | 278H       | Fitting Grease (Front Wheel Only) |
| 7       | 9040H      | Bearing Flange (Front Wheel nly)  |
| 8       | 124074X427 | Rim Asm 12" rear                  |
| 9       | 140183     | Tire R 23 x 9.5-12 C Service      |
| 10      | 7154J      | Tube Rear (Service Item Only)     |
| 11      | 104757X    | Cap Axle Blk 1 50 X 1 00          |
| --      | 144334     | Sealant, Tire (1 Doz. Tube)       |

**NOTE:** All component dimensions given in U.S. inches  
1 inch = 25.4 mm