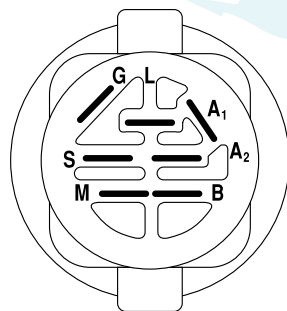
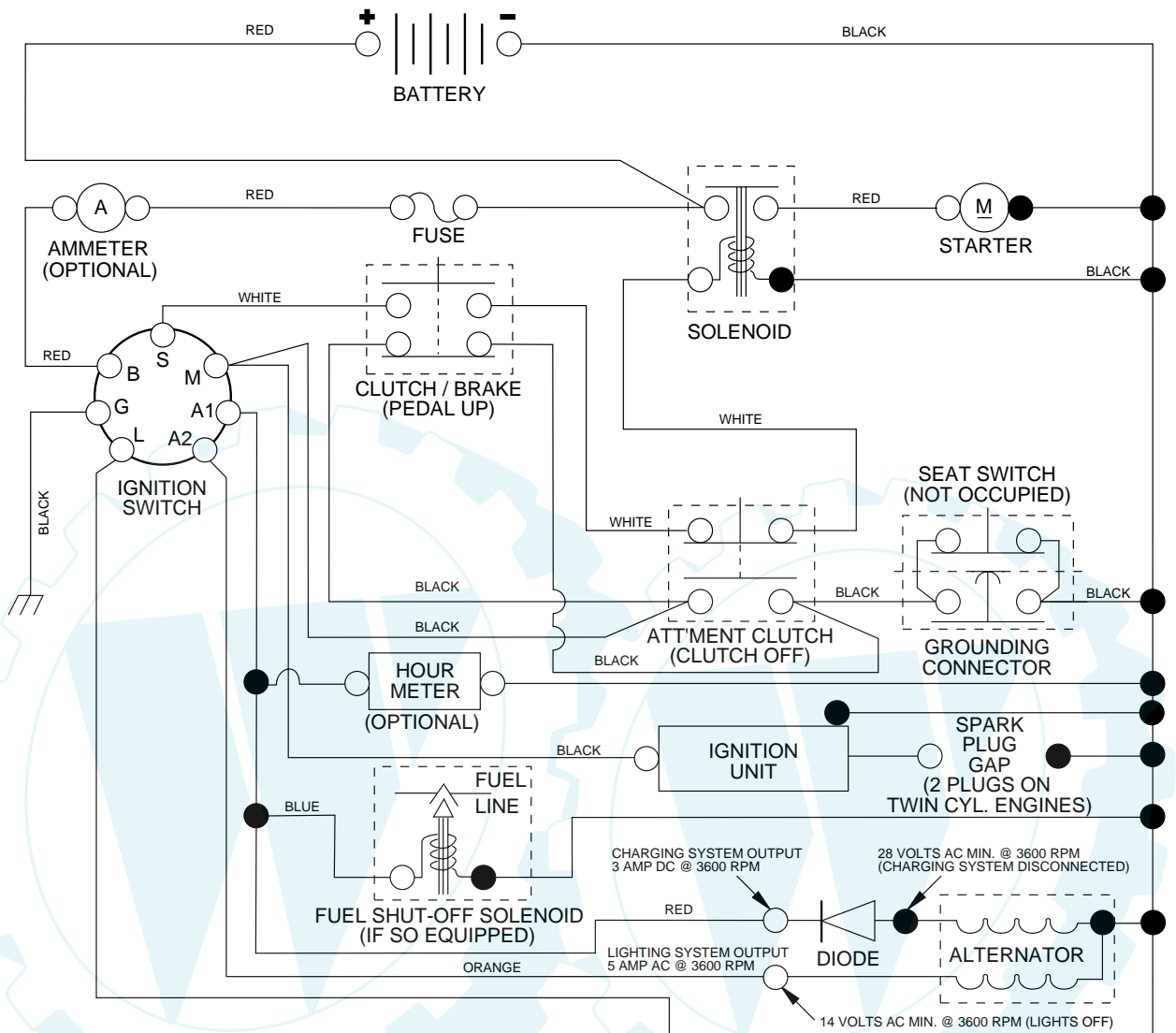


**SCHEMATIC**



**IGNITION SWITCH**

POSITION	CIRCUIT	"MAKE"
OFF	M+G+A1	NONE
RUN/LIGHT	B+A1	A2+L
RUN	B+A1	NONE
START	B + S + A1	NONE

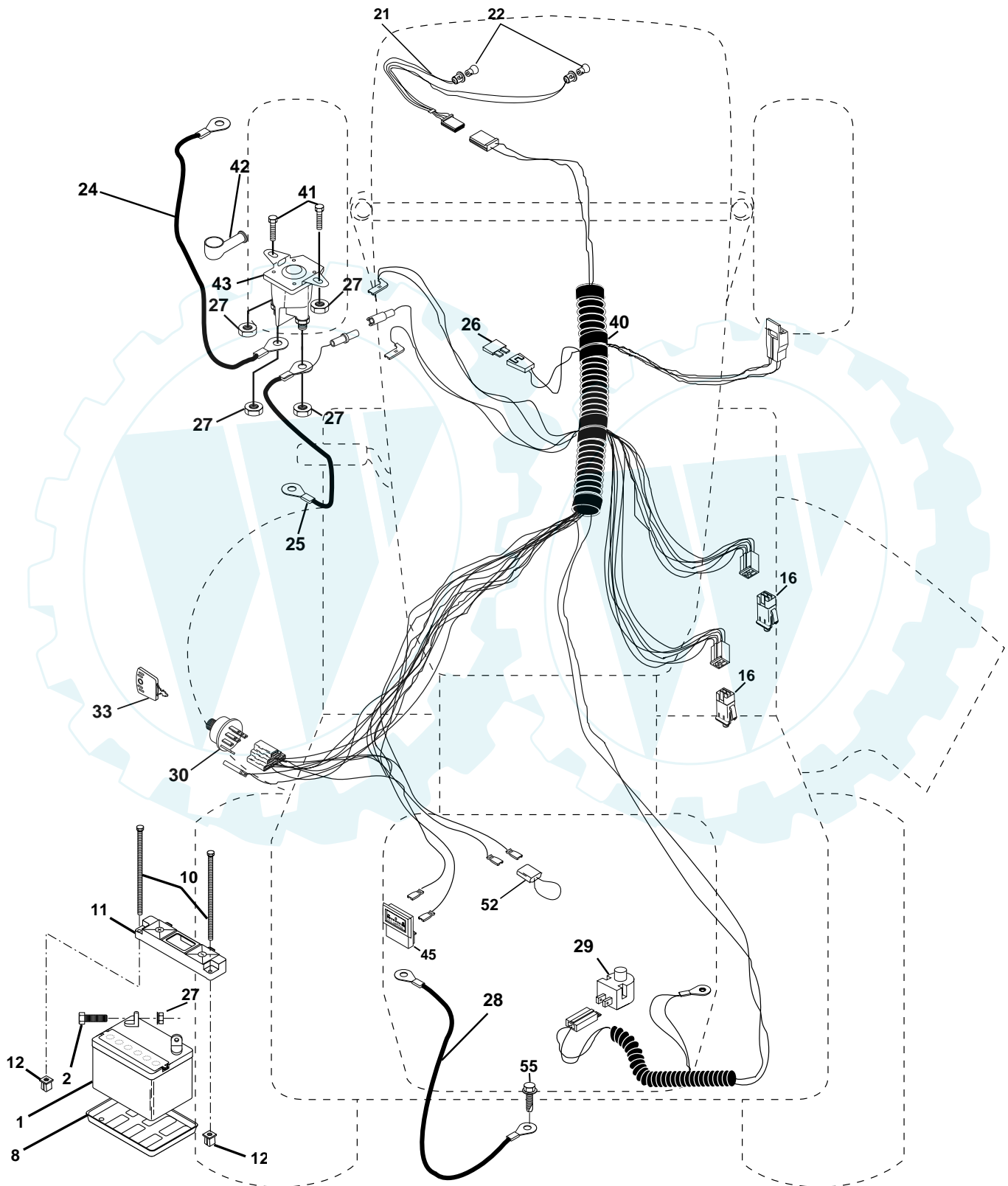
**NOTE**  
 YOUR TRACTOR IS EQUIPPED WITH A SPECIAL ALTERNATOR SYSTEM. THE LIGHTS ARE NOT CONNECTED TO THE BATTERY, BUT HAVE THEIR OWN ELECTRICAL SOURCE. BECAUSE OF THIS, THE BRIGHTNESS OF THE LIGHTS WILL CHANGE WITH ENGINE SPEED. AT IDLE THE LIGHTS WILL DIM. AS THE ENGINE IS SPEEDED UP, THE LIGHTS WILL BECOME THEIR BRIGHTEST.

**WIRING INSULATED CLIPS**

**NOTE:** IF WIRING INSULATED CLIPS WERE REMOVED FOR SERVICING OF UNIT, THEY SHOULD BE REPLACED TO PROPERLY SECURE YOUR WIRING.

NON-REMOVABLE CONNECTIONS

REMOVABLE CONNECTIONS



## TRACTOR - - MODEL NUMBER Q185H46B

### ELECTRICAL

KEY NO.	PART NO.	DESCRIPTION
1	144925	Battery 12 Volt 25 Amp
2	74760412	Bolt Hex Hd 1/4-20unc X 3/4
8	7603J	Tray Battery
10	145211	Bolt Btr Frt 1/4-20 x 7.5
11	150109	Holddown Battery Front Mount
12	145769	Nut Push Nylon 1/4" Battery Frt
16	153664	Switch Interlock Push-In
21	166181	Harness Socket Light
22	4152J	Bulb, Light # 1156
24	4799J	Cable Battery 6ga 11" Red
25	146148	Cable Battery 6 Ga 22" Red W/16 Wire
26	166180	Fuse 15 Amp
27	73510400	Nut Keps Hex 1/4-20 Unc
28	145491	Cable Ground 6ga 21"black
29	121305X	Switch Plunger NC Gray
30	163968	Switch Ign
33	140401	Key Ign
40	170217	Harness Ignition
41	71110408	Bolt Fin Hex 1/4-20uncx1/2
42	131563	Cover Terminal Red
43	145673	Solenoid
45	121433X	Ammeter Rectangular
52	141940	Protection Loop
55	17490508	Screw Thdrol 5/16-18 x 1/2

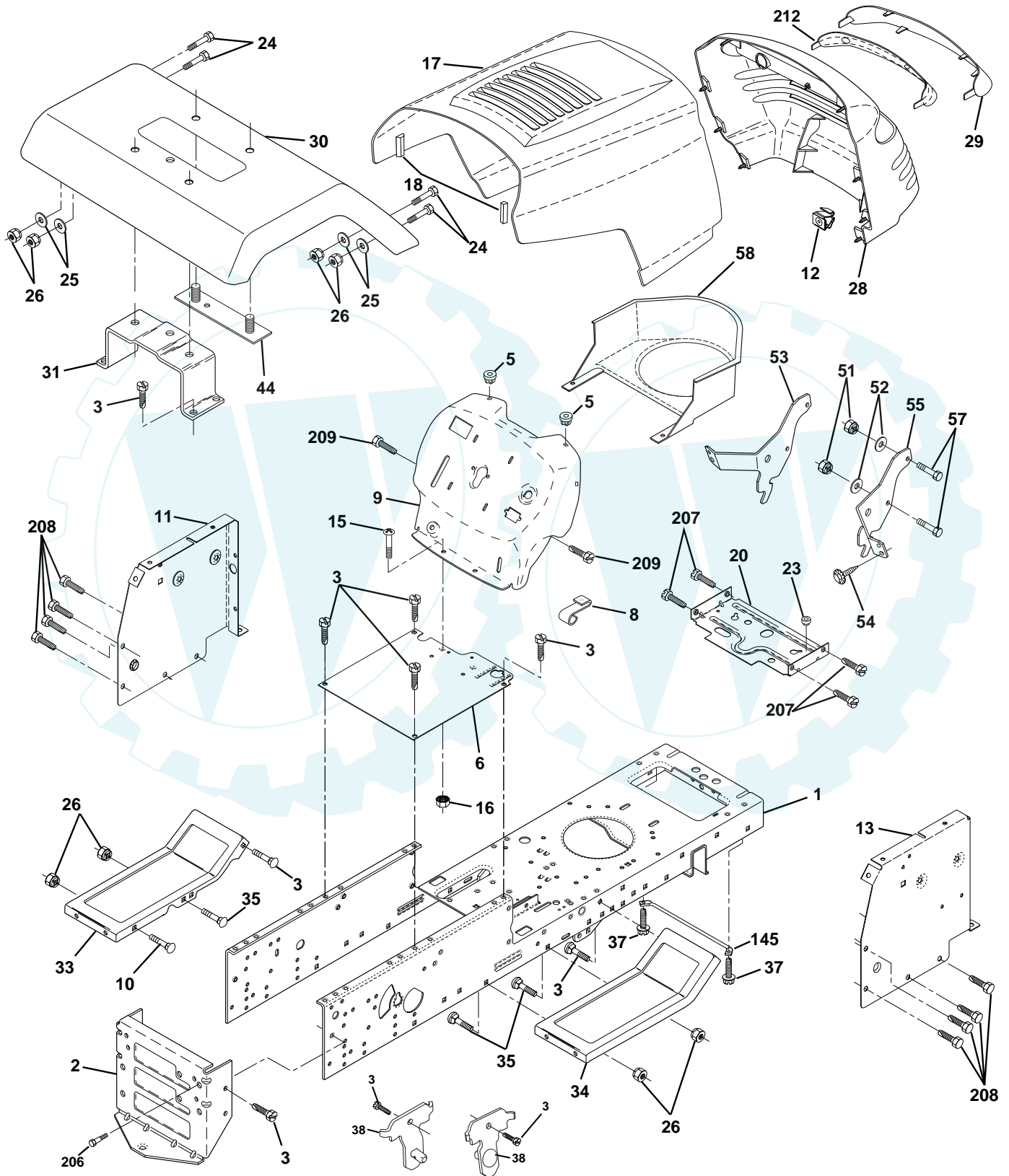
**NOTE:** All component dimensions given in U.S. inches  
1 inch = 25.4 mm

# REPAIR PARTS

[www.ersatzteil-service.de](http://www.ersatzteil-service.de)

## TRACTOR - - MODEL NUMBER Q185H46B

### CHASSIS AND ENCLOSURES



## TRACTOR - - MODEL NUMBER Q185H46B

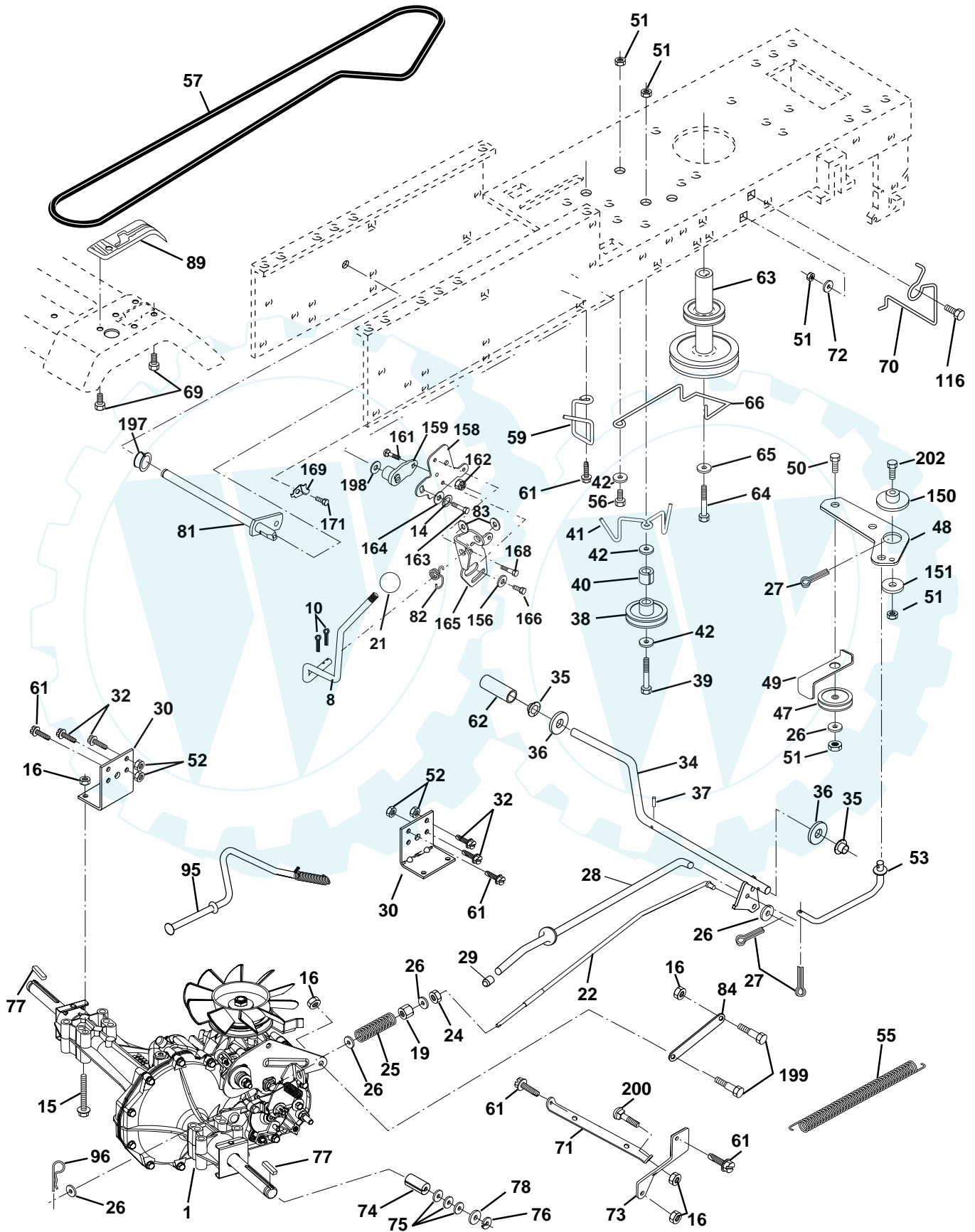
### CHASSIS AND ENCLOSURES

KEY NO.	PART NO.	DESCRIPTION
1	169831	Chassis
2	169061	Drawbar
3	17060612	Screw 3/8-16 x 3/4
5	155272	BumperHood/Dash
6	155923	Saddle
8	155138	Clip
9	168348X012	Dash
10	72140608	Bolt RdHd Sqnk. 3/8-16 x 1
11	155927	Panel Dash Lh
12	145660	Clip Tinnerman Grille P/L
13	172107X010	Panel Dash Rh Slkscr
15	74180512	Screw Mach Trhd 5/16-18 UNC x 3/4
16	73510500	Nut Keps 5/16-18 UNC
17	159639X602	Hood Pnt Steel Private Label
18	126938X	BumperHood
20	156437	Plate Mtg Battery/Fuel Tank
23	124028X	Bushing Snap Nyl. Blk Fuel Line
24	74780616	Bolt Fin Hex 3/8-16 Unc x 1 Gr. 5
25	19131312	Washer 13/32 x 13/16 x 12 Ga.
26	73800600	Nut Lock Hex w/Ins 3/8-16 Unc
28	157373	Grill
29	140273X599	Lens
30	167270X602	Fender Pnt
31	137113	Bracket Fender Support
33	145244X602	Footrest Pnt. Lh
34	145243X602	Footrest Pnt. Rh
35	72110606	Bolt RdHd Sht. Sqnk. 3/8-16 x 3/4
37	17490508	Screw Thdrol 5/16-18 x 1/2
38	169834	Bracket Asm. Pvt. Mwr. Rear
44	140675	Strap Asm Pnt Fender
51	73800400	Nut Lock Hex W/Ins. 1/4-20
52	19091416	Washer 9/32 x 7/8 x 16 Ga.
53	144697	Bracket Grille LH
54	161464	Screw Hex Wshd 8-18 x 7/8
55	144696	Bracket, Grille RH
57	74780412	Bolt Fin Hex 1/4-20 x 3/4
58	140547	Air Duct Engine
45	156524	Rod Pivot Chassis/Hood
206	170165	Bolt Shoulder 5/16-18
207	17670508	Screw Thdrol 5/16-18 x 1/2
208	17670608	Screw Thdrol 3/8-16 x 1/2
209	17000612	Screw Hex Wsh Thdrol 3/8-16 x 3/4
212	156229	Insert Lens
--	5479J	Plug Button

**NOTE:** All component dimensions given in U.S. inches  
1 inch = 25.4 mm

## TRACTOR - - MODEL NUMBER Q185H46B

### DRIVE



## TRACTOR - - MODEL NUMBER Q185H46B

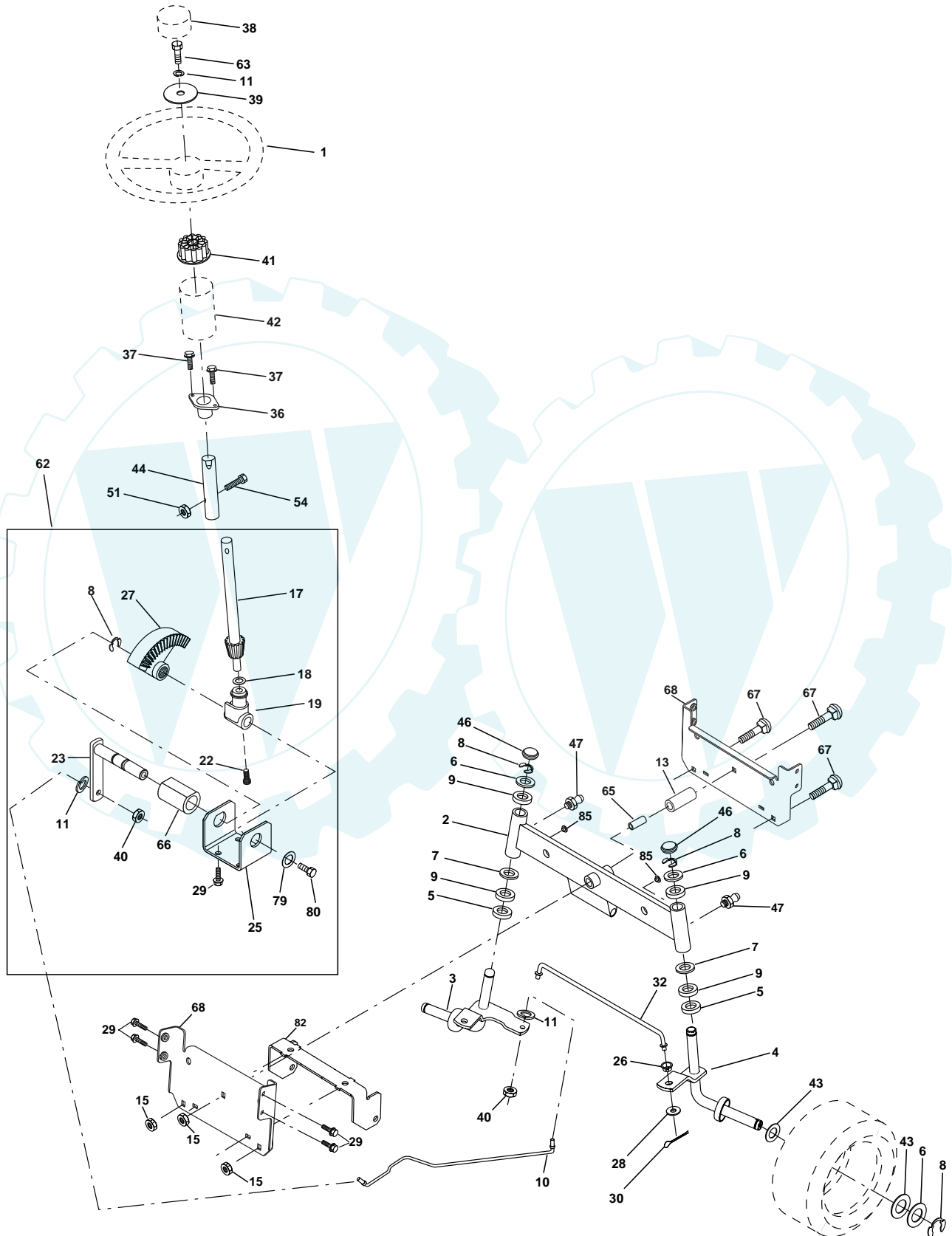
### DRIVE

KEY NO.	PART NO.	DESCRIPTION	KEY NO.	PART NO.	DESCRIPTION
1	-----	Transaxle Hydro Model 314-0510 Order parts from transaxle manufacturer	65	10040700	Washer Lock Hvy. Hlcl Spr 7/16
8	166020	Rod Shift Fender Adjust Yt	66	154778	Keeper Belt Engine F-Proof
10	76020416	Pin Cotter 1/8 x 1 CAD	69	142432	Screw Hex Wsh Hi-Lo 1/4-1/2
14	10040400	Washer Lock Hvy Helical	70	162848	Guide Belt Engine
15	74490544	Bolt, Hex FLGHD 5/16-18 Gr. 5	71	169183	Strap Torque Lh Hydro
16	73800500	Nut Lock Hex W/Ins 5/16-18 Unc P	72	19132012	Washer 13/32 x 1-1/4 x 12 Gauge
19	73800600	Nut Lock Hex W/Wsh 3/8-16 Unc	73	169182	Strap Torque Rh Hydro
21	106933X	Knob	74	169496	Spacer, Axle
22	169498	Rod, Brake Hydro	75	121749X	Washer 25/32 x 1-1/4 x 16 Gauge
24	73350600	Nut Hex Jam 3/8-16	76	12000001	E-Ring #5133-75
25	106888X	Spring, Brake Rod	77	123583X	Key, Square
26	19131316	Washer	78	121748X	Washer 25/32 x 1-5/8 x 16 Gauge
27	76020412	Pin Cotter 1/8 x 3/4 CAD.	81	165596	Shaft Asm Cross Tapered
28	145204	Rod, Parking Brake	82	123782X	Spring Torsion T/A
29	71673	Cap, Parking Brake	83	19171216	Washer 17/32 x 3/4 x 16 Ga.
30	169592	Bracket, Transaxle	84	169594	Link Transaxle
32	74760512	Bolt Hex Hd 5/16-18 Unc x 3/4	89	164892X428	Console, Shift
34	155071	Shaft, Foot Pedal	95	170201	Control Asm Bypass Hydro
35	120183X	Bearing, Nylon	96	4497H	Retainer Spring 1" Zinc/Cad
36	19211616	Washer 21/32 x 1x 16 Ga.	116	72110610	Bolt Rdhd Sq. Neck 3/8-16 x 1.25
37	1572H	Pin, Roll 3/16 x 1	150	165850	Bushing Bellcrank
38	131494	Pulley, Idler, Flat	151	19133210	Washer 13/32 x 2 x 10 Ga.
39	72110622	Bolt Rdhd 3/8-16 Unc x 2-3/4 Gr. 5	156	166002	Washer Srrted 5/16 ID X 1 X .125
40	4470J	Spacer, Split	158	165589	Bracket Shift Mount
41	165838	Keeper, Belt Retainer	159	165494	Hub Tapered Flange Shift LT
42	19131312	Washer 13/32 x 13/16 x 12 Gauge	161	72140406	Bolt Rdhd Sqnk 1/4-20 x 3/4 Gr. 5
47	127783	Pulley, Idler, V-Groove	162	73680400	Nut Crownlock 1/4-20 Unc
48	154407	Bellcrank Clutch Grnd Drv STL	163	74780416	Bolt Hex Fin 1/4-20 Unc x 1 Gr. 5
49	123205X	Retainer, Belt	164	19091010	Washer 5/8 x .281 x 10 Ga.
50	74760624	Bolt Hex Hd 3/8-16 x 1-1/2	165	165623	Bracket Pivot Lever
51	73680600	Nut Crownlock 3/8-16 UNC	166	166880	Screw 5/16-18 x 5/8
52	73680500	Nut Crownlock 5/16-18 UNC	168	165492	Bolt Shoulder 5/16-18 x .561
53	105710X	Link, Clutch	169	165581	Plate Fastening LT
55	105709X	Spring, Return, Clutch	171	17490608	Screw Thdrol 3/8-16 x 1/2 TY-TT
56	74760620	Bolt Fin Hex 3/8-16 UNC x 1-1/4	197	169613	Nyliner Snap- In
57	140294	V-Belt, Hydro	198	169593	Washer Nyliner
59	169691	Keeper, Center Span	199	169612	Bolt Shoulder 5/16-18 Unc
61	17060612	Screw 3/8-16 x 3/4	200	72140508	Bolt Rdhd Sqnk 5/16-18 Unc x 1
62	8883R	Cover, Pedal	202	72110612	Bolt Carr Sh 3/8-16 x 1-1/2 Gr. 5
63	140186	Pulley, Engine			
64	71170764	Bolt, Hex 7/16-20 x 4			

**NOTE:** All component dimensions given in U.S. inches  
1 inch = 25.4 mm

## TRACTOR - - MODEL NUMBER Q185H46B

### STEERING ASSEMBLY





## TRACTOR - - MODEL NUMBER Q185H46B

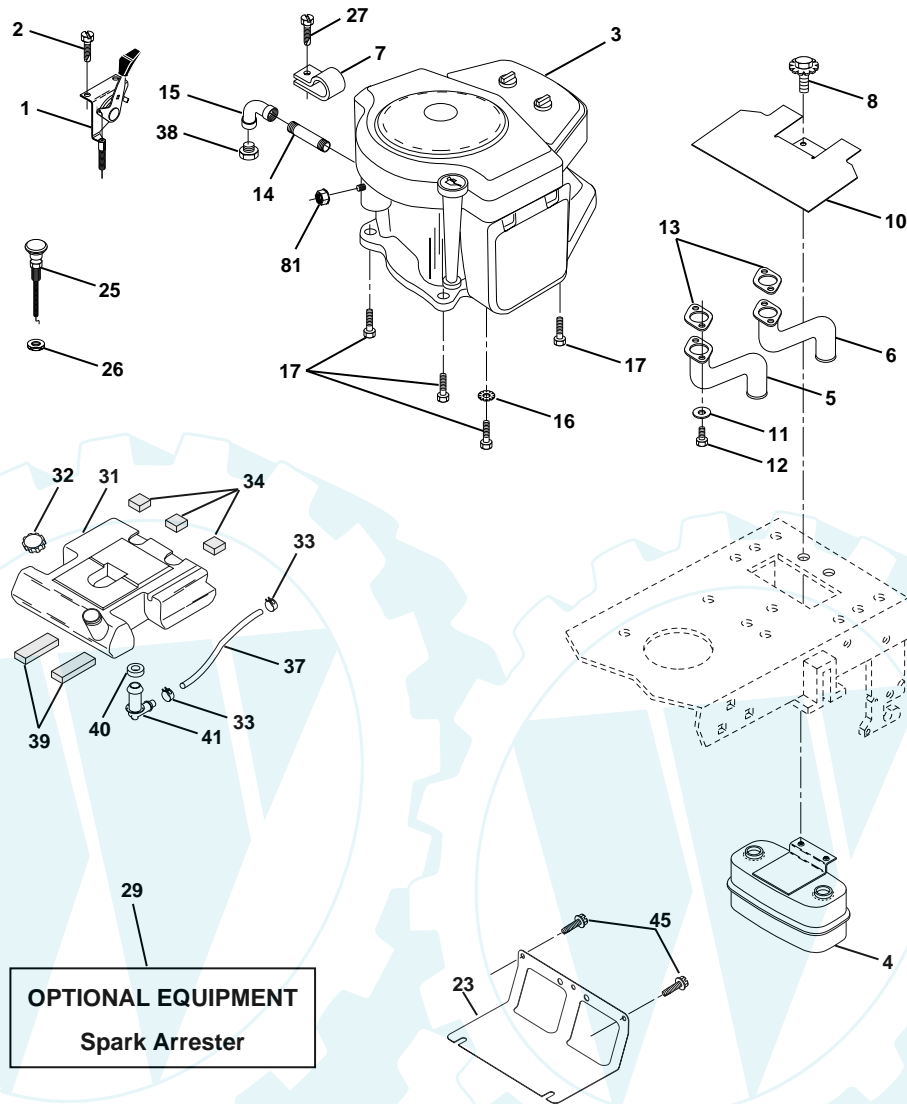
### STEERING ASSEMBLY

KEY NO.	PART NO.	DESCRIPTION
1	140044	Wheel Steering Auto Blk
2	154427	Axle Asm
3	169840	Spindle Asm LH
4	169839	Spindle Asm RH
5	6266H	WasherThrust .75 x 1.230
6	121748X	Washer 25/32 X 1-5/8 X 16 Ga
7	19272016	Washer 27/32 X 1-1/4 X 16 Ga
8	12000029	Ring Klip #t5304-75
9	3366R	Bearing Col Strg Blk
10	169832	Link Drag
11	10040600	Washer Lock Hvy Hlcl Spr 3/8
13	136518	Spacer Bearing Axle Front
15	145212	Nut Hex Flange Lock
17	156546	Shaft Asm Strg Private Label
18	57079	Washer Thrust 515x750x033
19	160395	Support Shaft
22	165857	Screw Hex Wsh Hd Torx
23	165851	Shaft Asm Pittman
25	154406	Bracket Steering
26	126847X	Bushing Link Drag
27	136874	Gear Sector 22 Teeth
28	19131416	Washer 13/32 x 7/8 x 16 Ga.
29	17060612	Screw 3/8-16 x 3/4
30	76020412	Pin Cotter 1/8 x 3/4
32	130465	Rod Tie Wire
36	155099	Bushing Steering
37	152927	Screw
38	140045	Cap Wheel Steer
39	19133812	Washer 13/32 x 2-3/8 x 12 Ga
40	7810H	Nut Lock Center 3/8-24 unf
41	100711L	Adapter Wheel Strg
42	145054X428	Boot Shaft Steering
43	121749X	Washer 25/32 X 1 1/4 X 16 Ga
44	153720	Extension Steering Non-Adjustable
46	121232X	Cap Spindle Fr Top Blk
47	6855M	Fitting Grease
51	73800500	Nut Lock Hex W/Ins. 5/16-18 Unc P
54	74780520	Bolt Fin Hex 5/16-18 Unc 6 x 1-1/4
62	167902	Kit Steering Asm Service
63	74780616	Bolt Fin Hex 3/8-16unc x 1 Gr. 5
65	160367	Spacer Brace Axle
66	154404	Bearing Arm Pittman
67	72140618	Bolt Rdhd Sq 3/8-16 Unc x 2-1/4
68	169827	Brace Axle
79	19132012	Washer 13/32 x 1-1/4 x 12 Ga.
80	74950612	Bolt Hex Nylon 3/8-16 x 3/4
82	169835	Bracket Susp Chassis Front
85	133835	Fastener Christmas Tree

**NOTE:** All component dimensions given in U.S. inches  
1 inch = 25.4 mm

## TRACTOR - - MODEL NUMBER Q185H46B

### ENGINE



**OPTIONAL EQUIPMENT**  
Spark Arrester

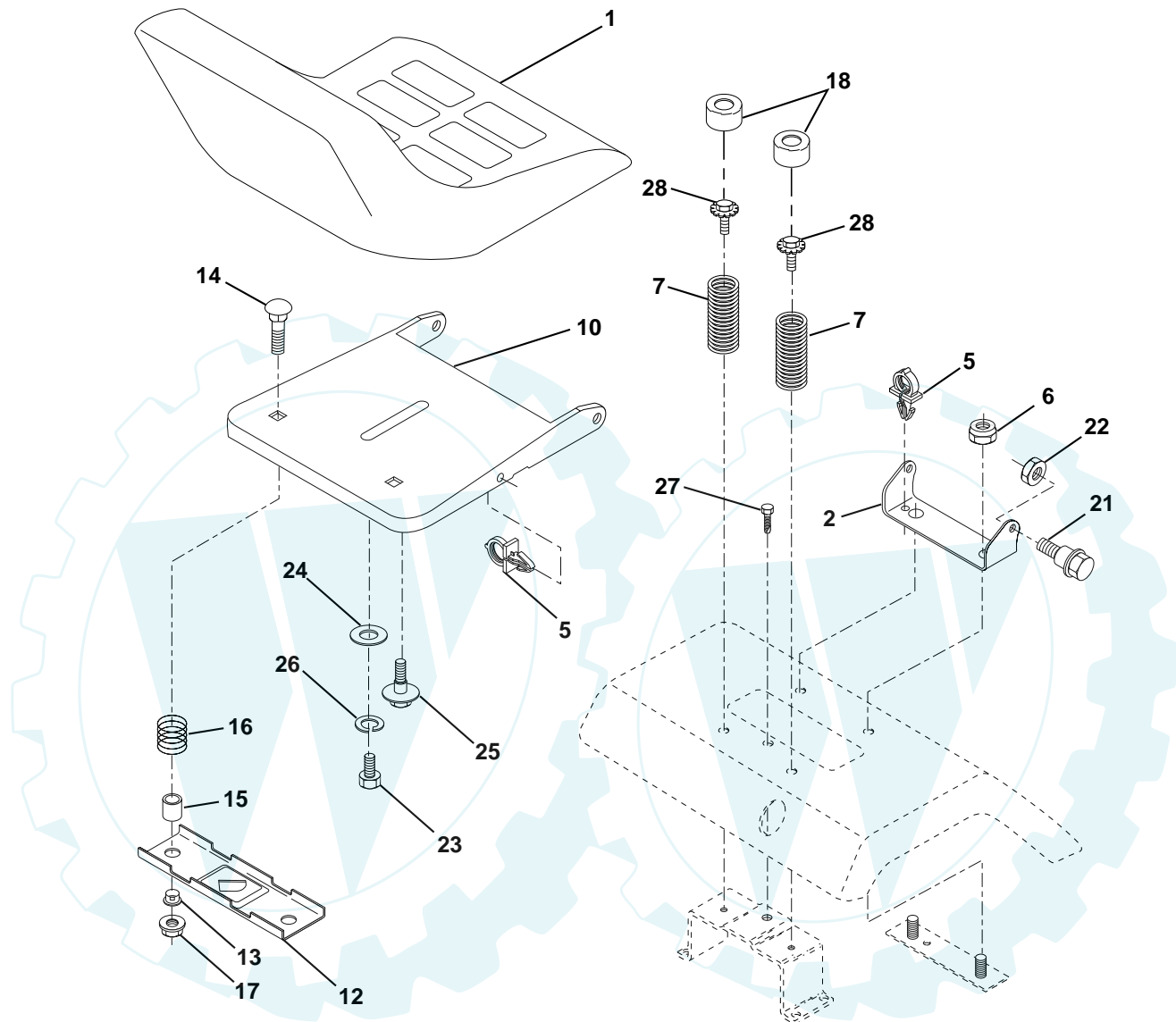
KEY NO.	PART NO.	DESCRIPTION
1	141295	Control Th/ch LH Flag 35.5
2	17720410	Screw Hex Thd Cut 1/4-20x5/8 T
3	-----	Engine Briggs Model 42D707 (Order parts from engine mfg.)
4	149723	Muffler Exhaust
5	144069	Exhaust Asm. Left
6	144068	Exhaust Asm Right
7	138129	Clamp Tube Double Engine
8	150176	Bolt 5/16-18 UNC x 3/4 W/Sems
10	145552	Heat Shield LT
11	10040400	Washer Lock Hvy. Helical 1/4(order from engine mfg.)
12	74780412	Bolt Fin Hex 1/4-20 x 3/4(order from engine mfg.)
13	165287	Gasket Muffler(order from engine mfg.)
14	13280336	Nipple Pipe 3/8 Npt X 3"
15	13200300	Elbow Std 90 Degree 3/8-18 Npt
16	11050600	Washer Lock Ext Tooth 3/8

KEY NO.	PART NO.	DESCRIPTION
17	17490624	Screw Thdrol 3/8-16 x 1-1/2 Tytt
23	169837	Shield Browning/Debris Guard
25	145996	Control Choke
26	73920600	Nut Keps 3/8-24 UNF
27	152927	Screw TT Flange
29	137180	Kit Spark Arrester (Flat Scrn)
31	151346	Tank Fuel Front
32	140527	Cap Asm Fuel
33	123487X	Clamp Hose
34	106082X	Strip Foam
37	8543R	Line Fuel
38	-----	Oil Drain Plug (Order From Engine Mfg)
39	109227X	Pad Spacer
40	3645J	Bushing
41	139277	Stem Tank Fuel
45	17000612	Screw Hex Wsh Thdrol 3/8-16 x 3/4
81	73510400	Nut Keps Hex 1/4-20 Unc

**NOTE:** All component dimensions given in U.S. inches.  
1 inch = 25.4 mm.

## TRACTOR - - MODEL NUMBER Q185H46B

### SEAT ASSEMBLY



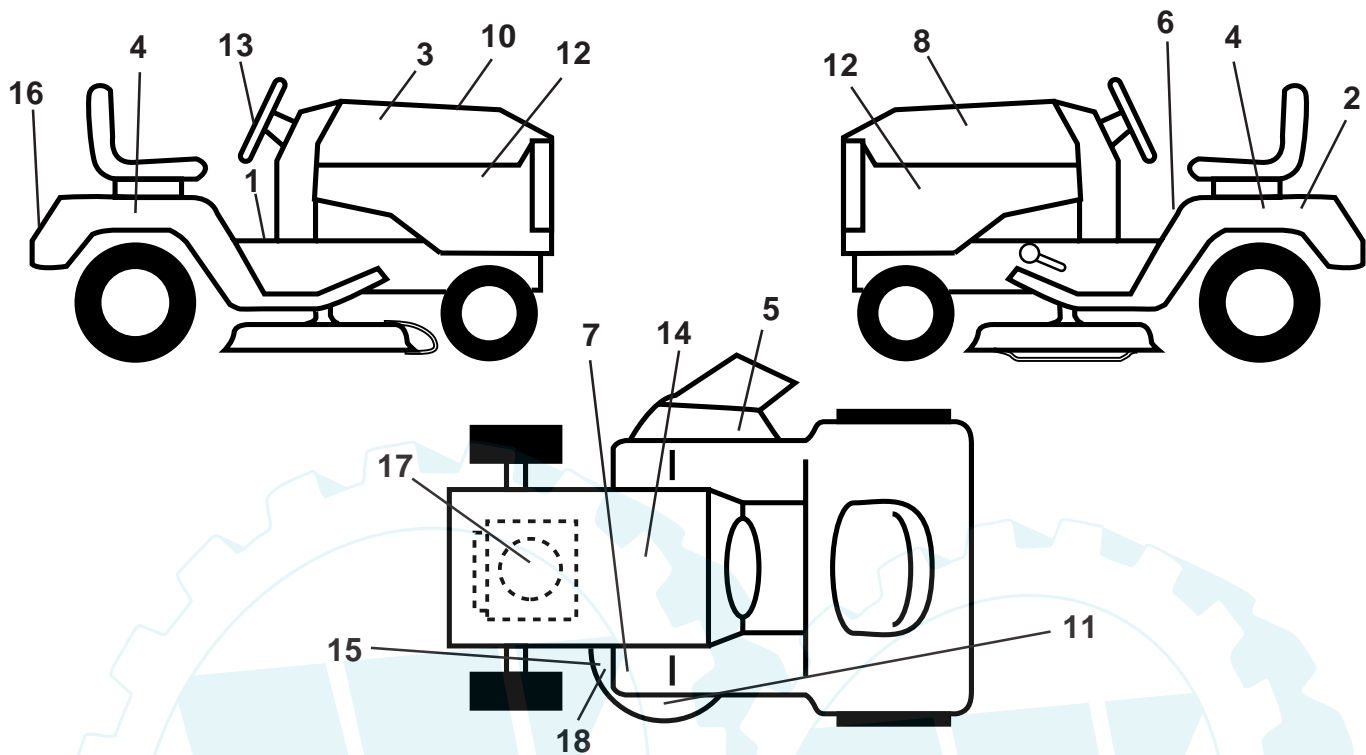
KEY NO.	PART NO.	DESCRIPTION
1	127428	Seat
2	140551	Bracket Pivot Seat
5	145006	Clip Push-In Hinged
6	73800600	Nut Lock Hex w/Wsh 3/8 - 16 Unc
7	124181X	Spring Seat Cprsn 2 250 Blk Zi
10	155925	Pan Seat
12	121246X	Bracket Mounting Switch
13	121248X	Bushing Snap Blk Nyl 50 Id
14	72050412	Bolt Rdhd Sht Nk 1/4-20 x 1-1/2
15	134300	Spacer Split
16	121250X	Spring Cprsn
17	123976X	Nut Lock 1/4 Lge Flg Gr 5 Zinc

KEY NO.	PART NO.	DESCRIPTION
18	124238X	Cap Spring Seat
21	171852	Bolt Shoulder 5/16-18 UNC
22	73800500	Nut Lock Hex W/Ins 5/16-18 Unc P
23	74780814	Bolt Fin Hex 1/2-13 x 7/8 Gr. 5
24	19171912	Washer 17/32 X 1-3/16 X 12 Ga
25	127018X	Bolt Shoulder 5/16-18 X 62
26	10040800	Washer Lock Hvy. Hlcl. Spr. 1/2
27	17490608	Screw Thdrol 3/8-16 x 1/2
28	171877	Bolt 5/16-18 UNC x 3/4 w/sems

**NOTE:** All component dimensions given in U.S. inches  
1 inch = 25.4 mm.

## TRACTOR - - MODEL NUMBER Q185H46B

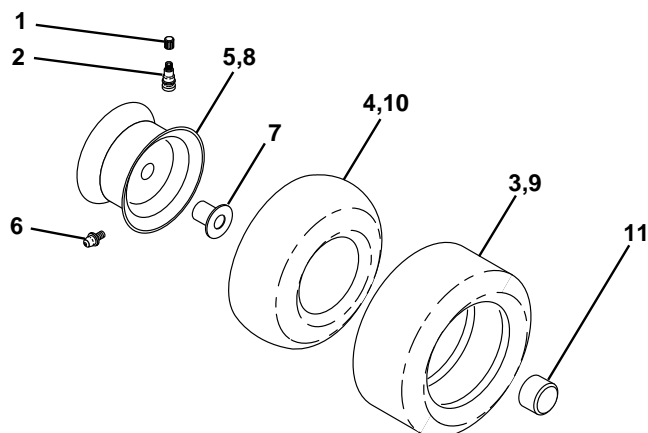
### DECALS



KEY NO.	PART NO.	DESCRIPTION
1	156868	Decal Instruction Saddle Oper.
2	168427	Decal Battery
3	172624	Decal Hood RH
4	172591	Decal Fender Auto
5	170563	Decal Warning
6	157002	Decal Danger Fender Eng
7	4900J	Decal Clutch/brake Eng
8	172625	Decal Hood LH
10	172937	Decal Hood Replace Parts
11	135013	Decal Deck Mw/Ven

KEY NO.	PART NO.	DESCRIPTION
12	172376	Decal Side Panel
13	172375	Decal Insert Strg
14	145005	Decal Bat Dan/Poi P/L Symbols
15	139346	Decal V-Belt Sch
16	172372	Decal Logo Fender
17	170847	Decal HP Engine
18	146046	Decal V-Belt Drive Sch
--	169210	Decal Drawbar By-Pass
--	138311	Decal Handle LFT Height Adj
--	157199X428	Pad Footrest
--	173483	Manual Owner's (English)

### WHEELS & TIRES



KEY NO.	PART NO.	DESCRIPTION
1	59192	Cap Valve Tire
2	65139	Stem Valve
3	106222X	Tire F Ts 15 X 6 0 - 6 Service
4	59904	Tube Front (Service Item Only)
5	106732X427	Rim Asm 6" (front White Service)
6	278H	Fitting Grease (Front Wheel Only)
7	9040H	Bearing Flange (Front Wheel Only)
8	106108X427	Rim Asm 8" rear White Service)
9	122082X	Tire R Ts 20 x 10 C Service
10	7152J	Tube Rear (Service Item Only)
11	104757X	Cap Axle Blk 1 50 X 1 00
--	144334	Sealant, Tire (10 oz. Tube)

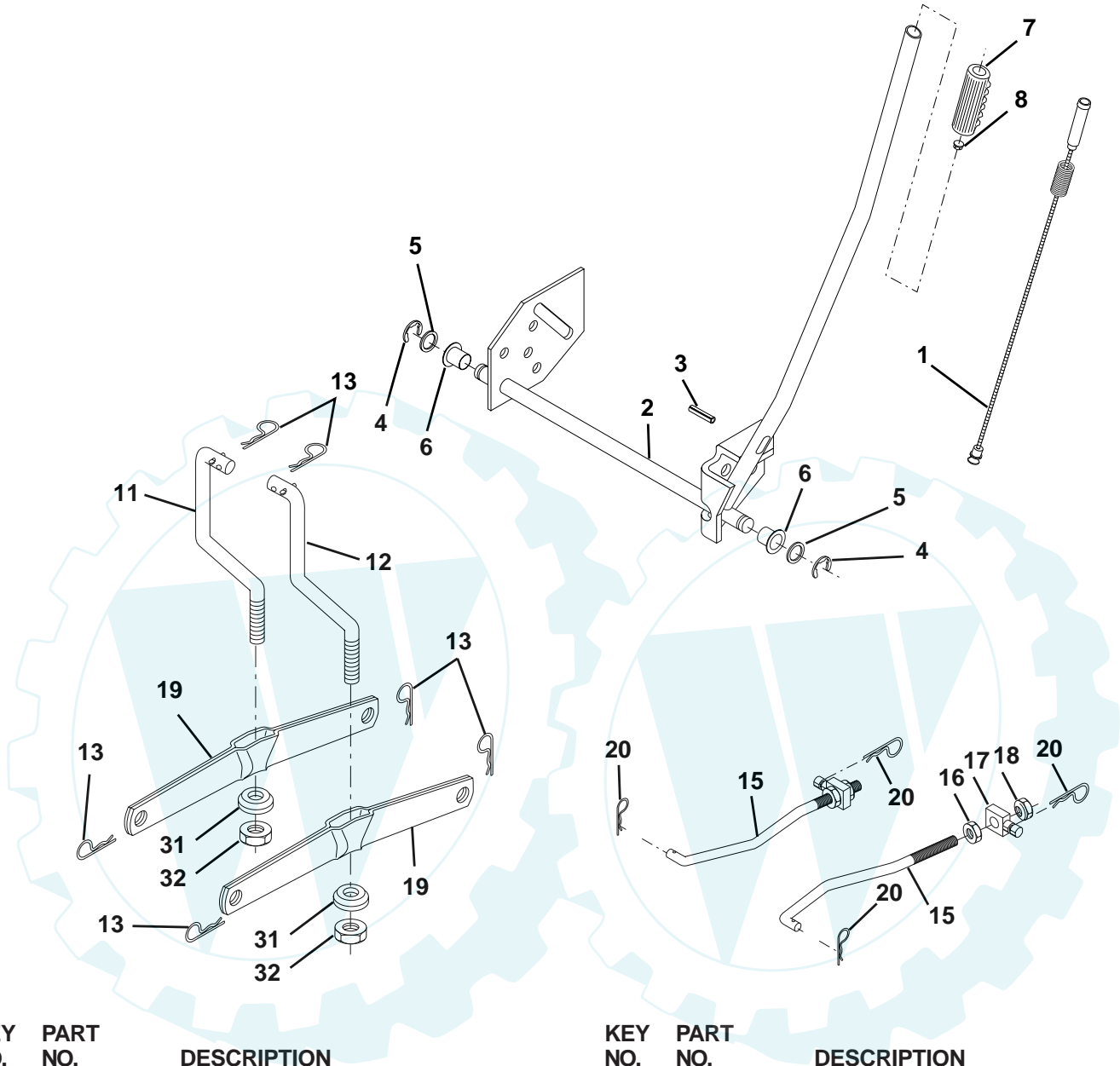
**NOTE:** All component dimensions given in U.S. inches  
1 inch = 25.4 mm.

# REPAIR PARTS

[www.ersatzteil-service.de](http://www.ersatzteil-service.de)

## TRACTOR - - MODEL NUMBER Q185H46B

### LIFT



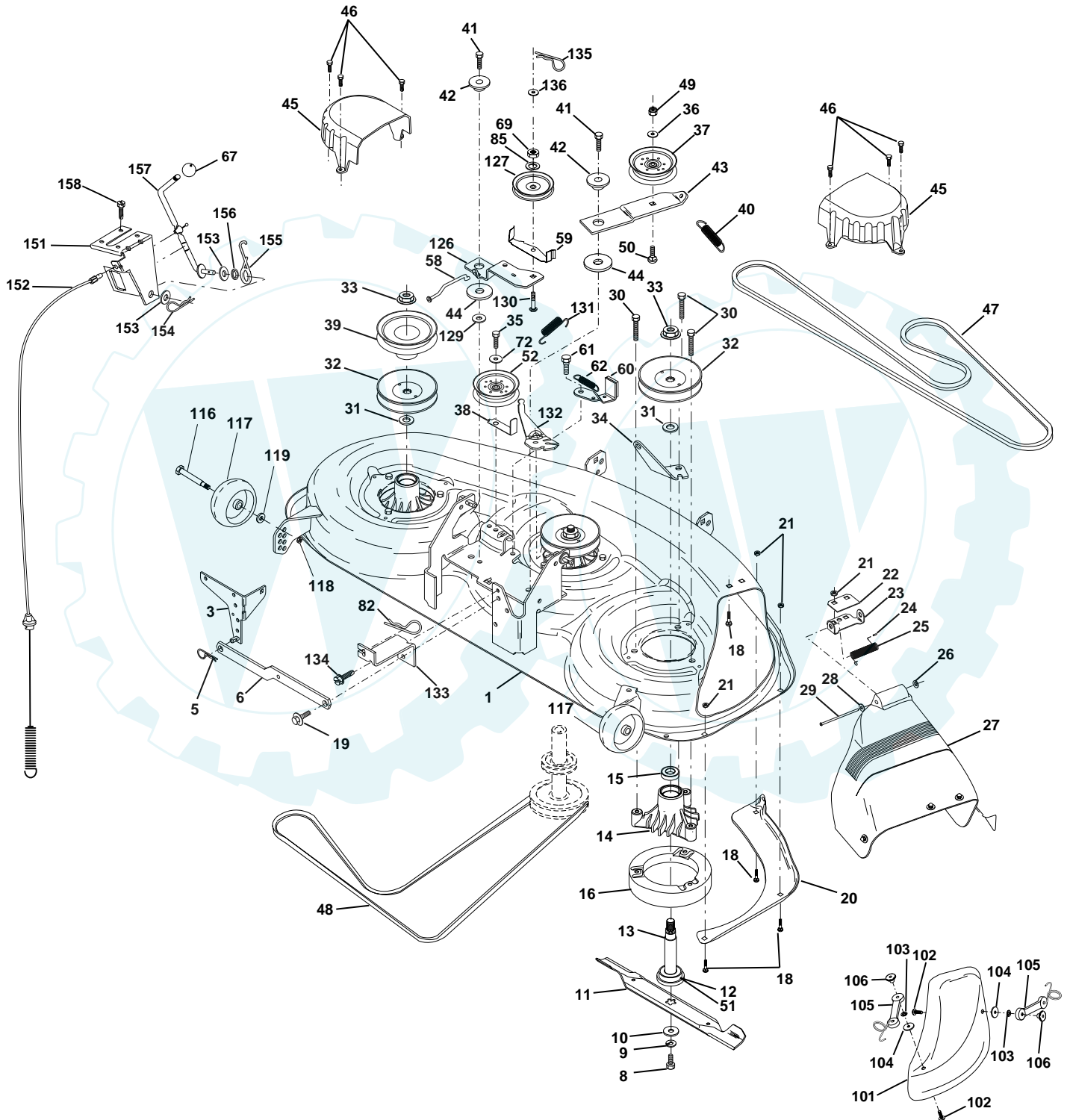
KEY NO.	PART NO.	DESCRIPTION
1	159460	Rod Asm. Lever
2	159471	Shaft Asm. Lift
3	105767X	Pin Groove
4	12000002	E Ring #5133-62
5	19211621	Washer 21/32 x 1 x 21 Ga.
6	120183X	Bearing Nylon
7	109413X	Grip Handle
8	124526X	Button Plunger
11	139865	Link Lift Lh
12	139866	Link Lift Rh
13	4939M	Retainer Spring

KEY NO.	PART NO.	DESCRIPTION
15	173288	Link Front
16	73350800	Nut Jam Hex 1/2-13 Unc
17	130171	Trunnion Blk Zinc
18	73680800	Nut Crownlock 1/2-13 Unc
19	139868	Arm Suspension Rear
20	163552	Retainer Spring
31	140302	Bearing
32	73540600	Nut Crownlock 3/8-24

**NOTE:** All component dimensions given in U. S. inches  
1 inch = 25.4 mm

## TRACTOR - - MODEL NUMBER Q185H46B

### MOWER DECK



## TRACTOR - - MODEL NUMBER Q185H46B

### MOWER DECK

KEY NO.	PART NO.	DESCRIPTION	KEY NO.	PART NO.	DESCRIPTION
1	164210	Deck Asm., Mower 46"	52	165888	Pulley Idler
3	138457	Bracket Asm., Sway Bar	58	165906	Rod Brake 46"
5	4939M	Retainer Spring	59	157034	Guide Belt 46"
6	130832	Arm, Suspension, Rear (Sway Bar)	60	156722	Arm Asm Brake
8	850857	Bolt, Patched 3/8-24 x 1-1/4 Gr. 8	61	161315	Bolt Shld 5/16-18 Ty TT
9	10030600	Washer, Lock Hvy., Unplated 3/8	62	131870	Spring Return
10	140296	Washer, Hard Blade, Mower Vented	67	106932X	Knob Rd 3/8-16 Plstc Thds Blk
11	170698	Blade, 46" Mower Deck	69	73350600	Nut Hex Jam 3/8-16 UNC
12	129895	Bearing, Ball, Mandrel #6204	72	19131316	Washer 13/32 x 13/16 x 16 Ga.
13	137553	Shaft Asm. w/Lower Bearing (Includes Key No. 12)	82	4497H	Retainer Spring 1"
14	137152	Housing, Mandrel	85	10040600	Washer Lock Hvy Hlcl Spr. 3/8
15	110485X	Bearing, Ball, Mandrel	101	145579	Cover Mulch
16	140329	Stripper, Mower Round	102	71161010	Screw Truss Hd Phil 10-24 x 5/8
18	72140505	Bolt, Carriage 5/16-18 x 5/8	103	10070100	Washer Lock #10
19	132827	Bolt, Hex Head, Shoulder 5/16-18	104	19061216	Washer #10
20	145055	Baffle, Vortex Mower 46"	105	160793	Latch Asm. Mulch/Bagger
21	73680500	Nut, Crownlock 5/16-18 UNC	106	2029J	Nut Weld
22	134753	Stiffener, Bracket	116	4898H	Bolt, Shoulder
23	131267	Bracket, Deflector	117	165746	Gauge Wheel
24	105304X	Cap, Sleeve	118	73930600	Nut, Centerlock 3/8-16 UNC
25	149287	Spring, Torsion, Deflector	119	19121414	Washer 3/8 x 7/8 x 14 Ga.
26	110452X	Nut, Push	126	156472	Arm, Idler, Primary Deck 46"
27	166883	Deflector Clipping	127	146763	Pulley, Idler, V-Groove Dim. 4.25
28	19111016	Washer 11/32 x 5/8 x 16 Ga.	129	19133808	Washer 13/32 x 2-3/8 x 8 Ga.
29	131491	Rod, Hinge	130	165891	Bolt Carriage Idler
30	157722	Screw Thd Rolling Washer Head	131	169022	Spring Return Idler
31	129963	Washer, Spacer Mower Vented	132	165890	Arm Spring Brake Mower
32	153531	Pulley, Mandrel	133	165904	Bracket Anchor Cable 46"
33	137266	Nut, Flg. Top Lock Cntr. 9/16	134	17490512	Screw thdrol 5/16-18 x 3/4
34	144945	Anchor, Spring Deck 46"	135	165898	Retainer Spring Yellow
35	17490628	Screw, Thdroll 3/8-16 x 1-3/4 Tytt	136	19091216	Washer 9/32 x 3/4 x 16 Ga.
36	19131316	Washer 13/32 x 13/16 x 16 Ga.	151	169670	Bracket Clutch Cable
37	131494	Pulley, Idler, Flat	152	170328	Clutch Cable
38	156085	Keeper, Belt, Idler	153	169674	Washer Flat 3/8" Type B
39	144917	Pulley, Idler, Driven	154	169675	Spring Retainer
40	137273	Spring, Secondary 44/46/50 Vent	155	169671	Spring Retention Lvr Clutch Cable
41	17490620	Screw, Thdroll 3/8-16 x 1-1/4 Tytt	156	169672	Spacer Clutch Cable
42	165723	Spacer, Retainer	157	169669	Rod Clutch Cable 3/8"
43	144949	Arm, Idler Secondary	158	17720410	Screw Hex Thd Cut 1/4-20 x 5/8
44	133943	Washer, Hardened	--	143651	Mandrel Asm Service (Includes Key Nos. 12-15, 8-10, 31, 33 and 51)
45	145059	Cover, Mandrel Deck	--	152443	Blade Mulching
46	137729	Screw, Thdroll. 1/4-20 x 5/8	--	172497	Deck Complete (Std. Deck-Order separately gauge wheel components Key Nos. 116-118)
47	144959	V-Belt, Mower, Secondary			
48	<b>139573</b>	V-Belt, Mower, Primary			
49	73680600	Nut, Crownlock 3/8-16 UNC			
50	72110612	Bolt, Carriage 3/8-16 x 1-1/2 Gr. 5			
51	153390	Washer Felt			

**NOTE:** All component dimensions given in U.S. inches  
1 inch = 25.4 mm