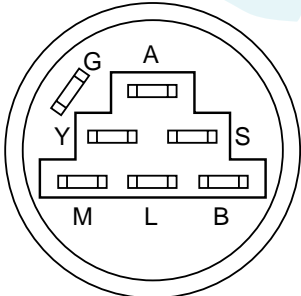
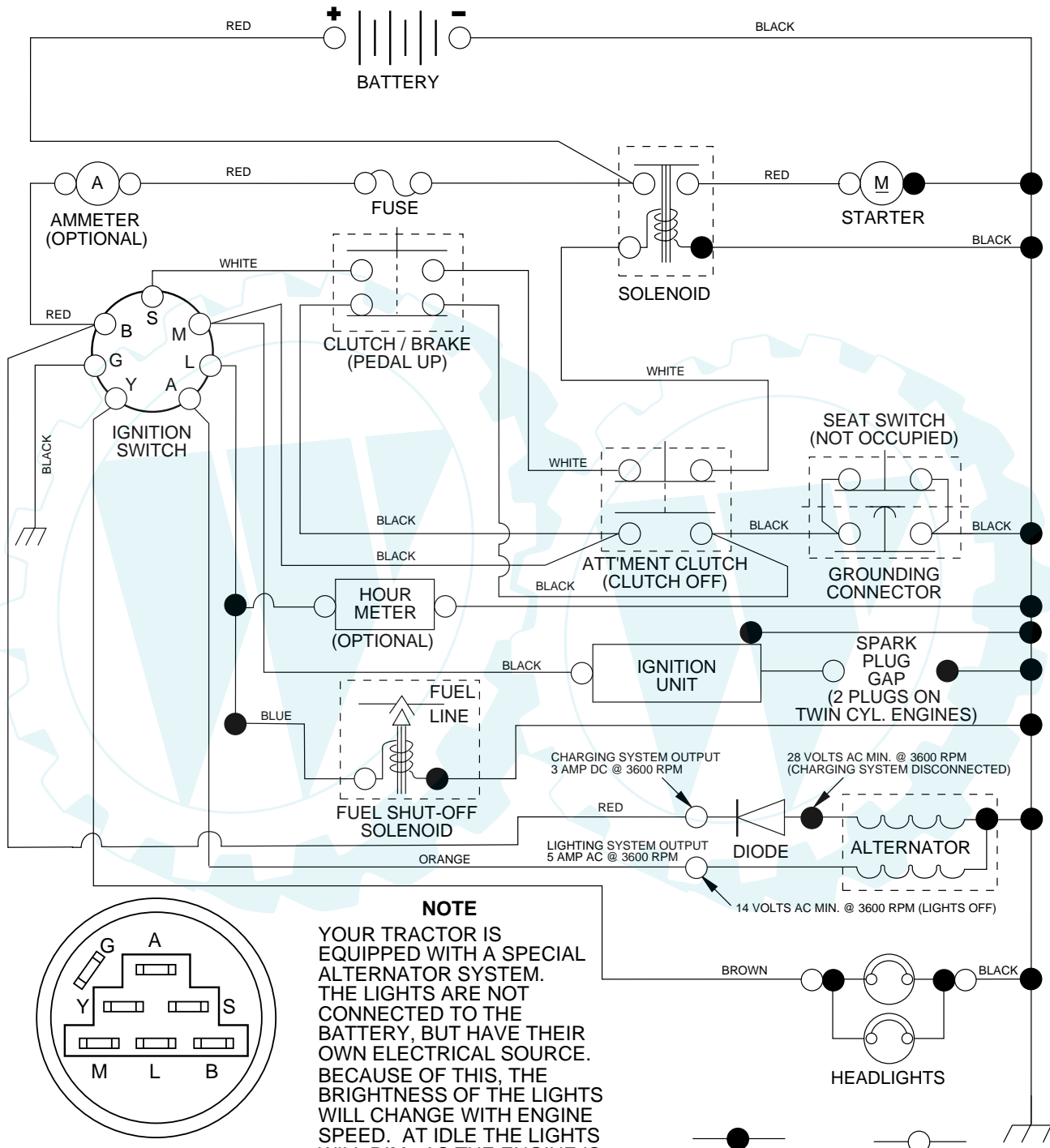


# REPAIR PARTS

## TRACTOR - - MODEL NUMBER Q165H46B

### SCHEMATIC



**IGNITION SWITCH**

POSITION	CIRCUIT	"MAKE"
OFF	G + M + L	NONE
RUN/LIGHT	B + L	A + Y
RUN	B + L	NONE
START	B + L + S	NONE

**NOTE**  
 YOUR TRACTOR IS EQUIPPED WITH A SPECIAL ALTERNATOR SYSTEM. THE LIGHTS ARE NOT CONNECTED TO THE BATTERY, BUT HAVE THEIR OWN ELECTRICAL SOURCE. BECAUSE OF THIS, THE BRIGHTNESS OF THE LIGHTS WILL CHANGE WITH ENGINE SPEED. AT IDLE THE LIGHTS WILL DIM. AS THE ENGINE IS SPEEDED UP, THE LIGHTS WILL BECOME THEIR BRIGHTEST.

**WIRING INSULATED CLIPS**

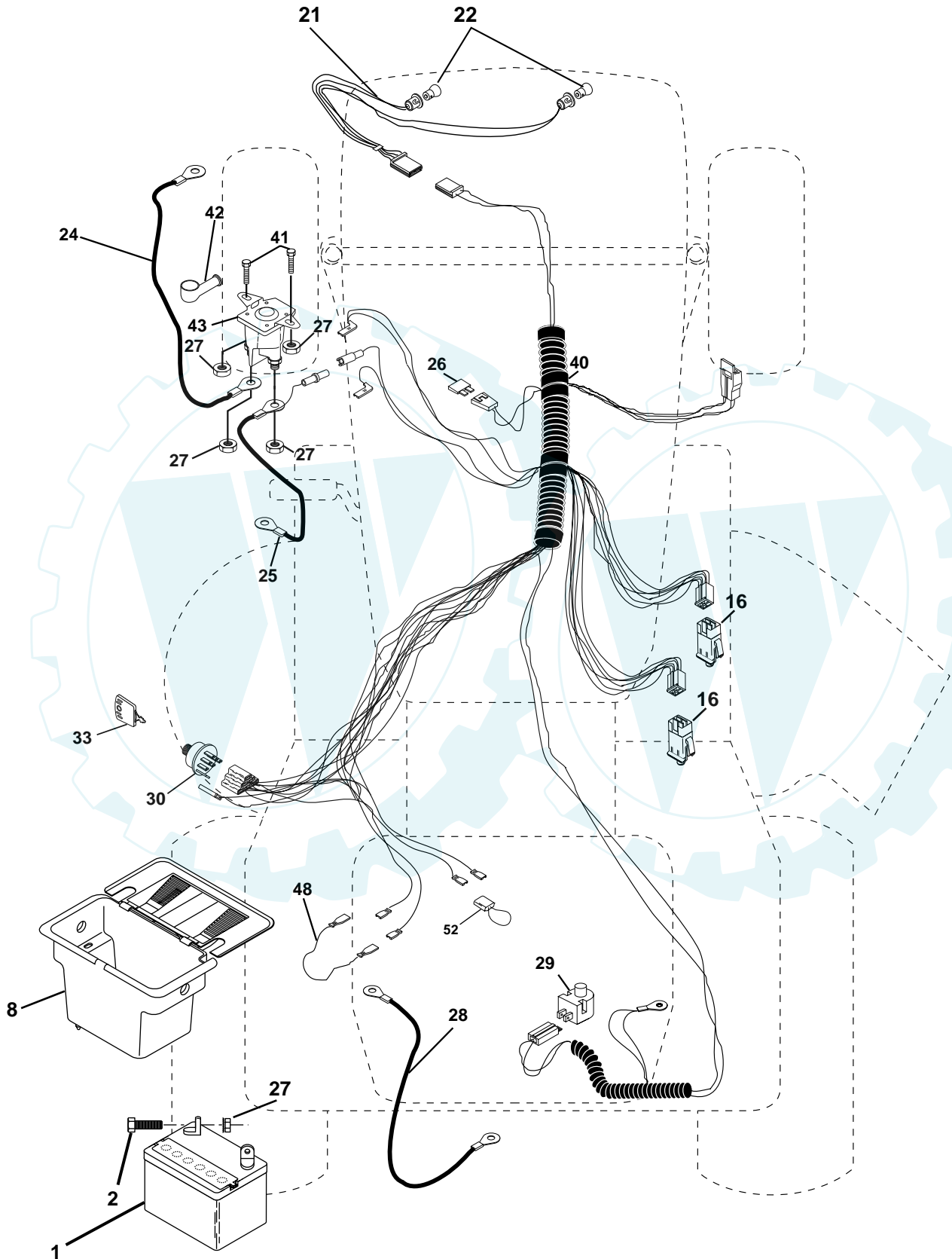
**NOTE:** IF WIRING INSULATED CLIPS WERE REMOVED FOR SERVICING OF UNIT, THEY SHOULD BE REPLACED TO PROPERLY SECURE YOUR WIRING.



# REPAIR PARTS

## TRACTOR - - MODEL NUMBER Q165H46B

### ELECTRICAL



## TRACTOR - - MODEL NUMBER Q165H46B

### ELECTRICAL

KEY NO.	PART NO.	DESCRIPTION
1	144925	Battery 12 Volt 25 Amp
2	74760412	Bolt Hex Hd 1/4-20unc X 3/4
8	156417	Case Battery
16	153664	Switch Interlock Push -In
21	166181	Harness Asm Light W/4152J
22	4152J	Bulb Light #1156
24	4799J	Cable Battery 6 Ga 11"red
25	146147	Cable Battery 6 Ga w/16 wire,red
26	166180	Fuse 15 AMP
27	73510400	Nut Keps Hex 1/4-20unc
28	4207J	Cable Ground 6 Ga 12" black
29	121305X	Switch Plunger Nc Gray
30	163968	Switch Ign
33	140401	Key Ign
40	170217	Harness Ign
41	71110408	Bolt Blk Fin Hex 1/4-20 X 1/2
42	131563	Cover Terminal Red
43	145673	Solenoid
48	140844	Adapter Ammeter Rectangular
52	141940	Protection Wire Loop

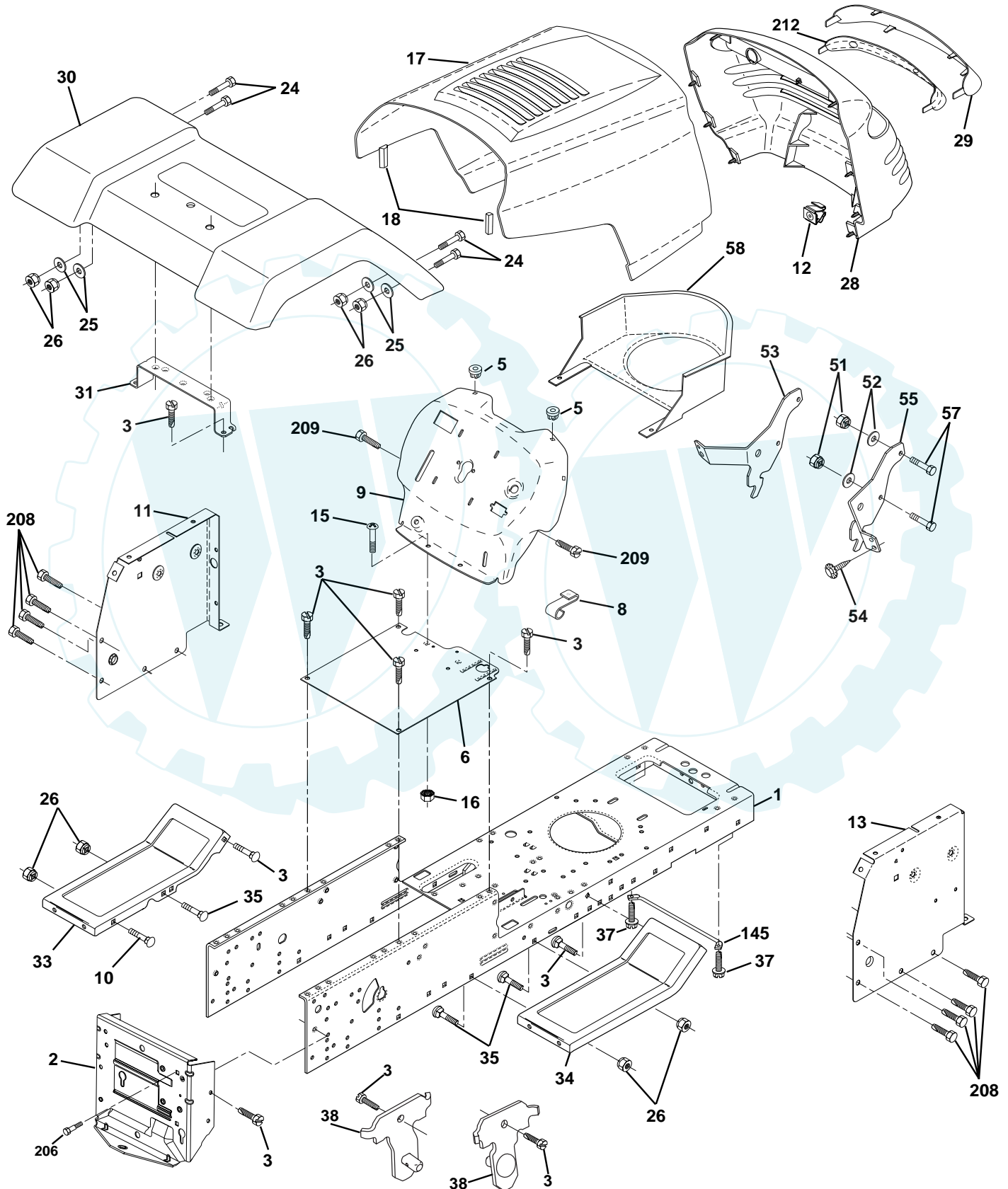
**NOTE:** All component dimensions give in U.S. inches  
1 inch = 25.4 mm.

# REPAIR PARTS

[www.ersatzteil-service.de](http://www.ersatzteil-service.de)

## TRACTOR - - MODEL NUMBER Q165H46B

### CHASSIS AND ENCLOSURES



## TRACTOR - - MODEL NUMBER Q165H46B

### CHASSIS AND ENCLOSURES

KEY NO.	PART NO.	DESCRIPTION
1	169831	Chassis Wldmt.
2	169061	Drawbar Stretch 94
3	17060612	Screw Thdrol. 3/8-16 x 3/4
5	155272	BumperHood/Dash
6	155923	Saddle Flat Lt
8	155138	Clip Retainer Slide-On
9	168347X011	Dash Private Label
10	72140608	Bolt RdHd Sqnk. 3/8-16 Unc x 1
11	155927	Panel Asm. Dash Lh
12	145660	Clip Tinnerman Grile P/L
13	<b>172107x010</b>	Panel Dash Rh
15	74180512	Screw Mach Trhd 5/16-18 Unc x 3/4
16	73510500	Nut Keps 5/16-18 Unc
17	159639X602	Hood Pnt STL P/L w/trim
18	126938X	BumperHood
20	<b>156437</b>	Plate Mtg Battery
23	<b>124028X</b>	Bushing Snap
24	74780616	Bolt Fin Hex 3/8-16 Unc x 1 Gr. 5
25	19131312	Washer 13/32 x 13/16 x 12 Ga.
26	73800600	Nut Lock Hex w/Insert 3/8-16 UNC
28	<b>140434</b>	Grill
29	140273X599	Lens Grille Private label
30	169467X602	Fender Asm LT
31	136619	Bracket Fender
33	145244X602	Footrest Pnt. Lh
34	145243X602	Footrest Pnt. Rh
35	72110606	Bolt RdHd Sht. Sqnk. 3/8-16 x 3/4
37	17490508	Screw Thdrol 5/16-18 x 1/2 Tyt
38	169834	Bracket Asm Pivot Mower Rear
51	73800400	Nut Lock Hex W/Ins. 1/4-20
52	19091416	Washer 9/32 x 7/8 x 16 Ga.
53	144697	Bracket Grille LH
54	161464	Screw Hex Wshd 8-18 x 7/8
55	144696	Bracket, Grille RH
57	74780412	Bolt Fin Hex 1/4-20 x .75
58	<b>162266</b>	Air Duct
145	156524	Rod Pivot Chassis/Hood
206	170165	Bolt Shoulder 5/16-18
207	<b>17670508</b>	Screw Thdrol 5/16-18 x 1/2
208	17670608	Screw Thdrol 3/16 x 1/2
209	17000612	Screw Hexwsh Thdr 3/8-16
212	<b>156229</b>	Insert Lens
--	5479J	Plug Btn Blk

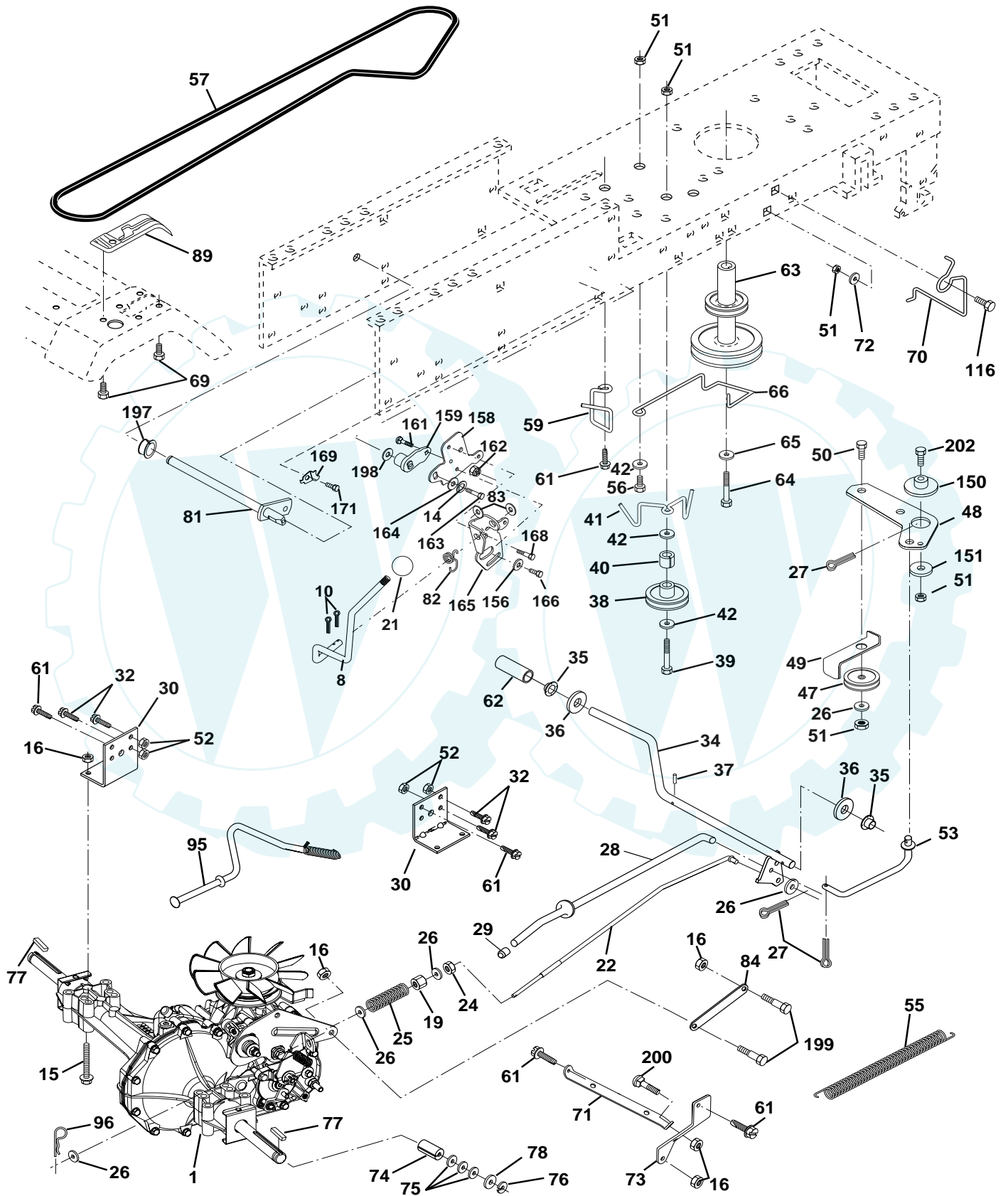
**NOTE:** All component dimensions given in U.S. inches  
1 inch = 25.4 mm

# REPAIR PARTS

[www.ersatzteil-service.de](http://www.ersatzteil-service.de)

## TRACTOR - - MODEL NUMBER Q165H46B

### DRIVE



## TRACTOR - - MODEL NUMBER Q165H46B

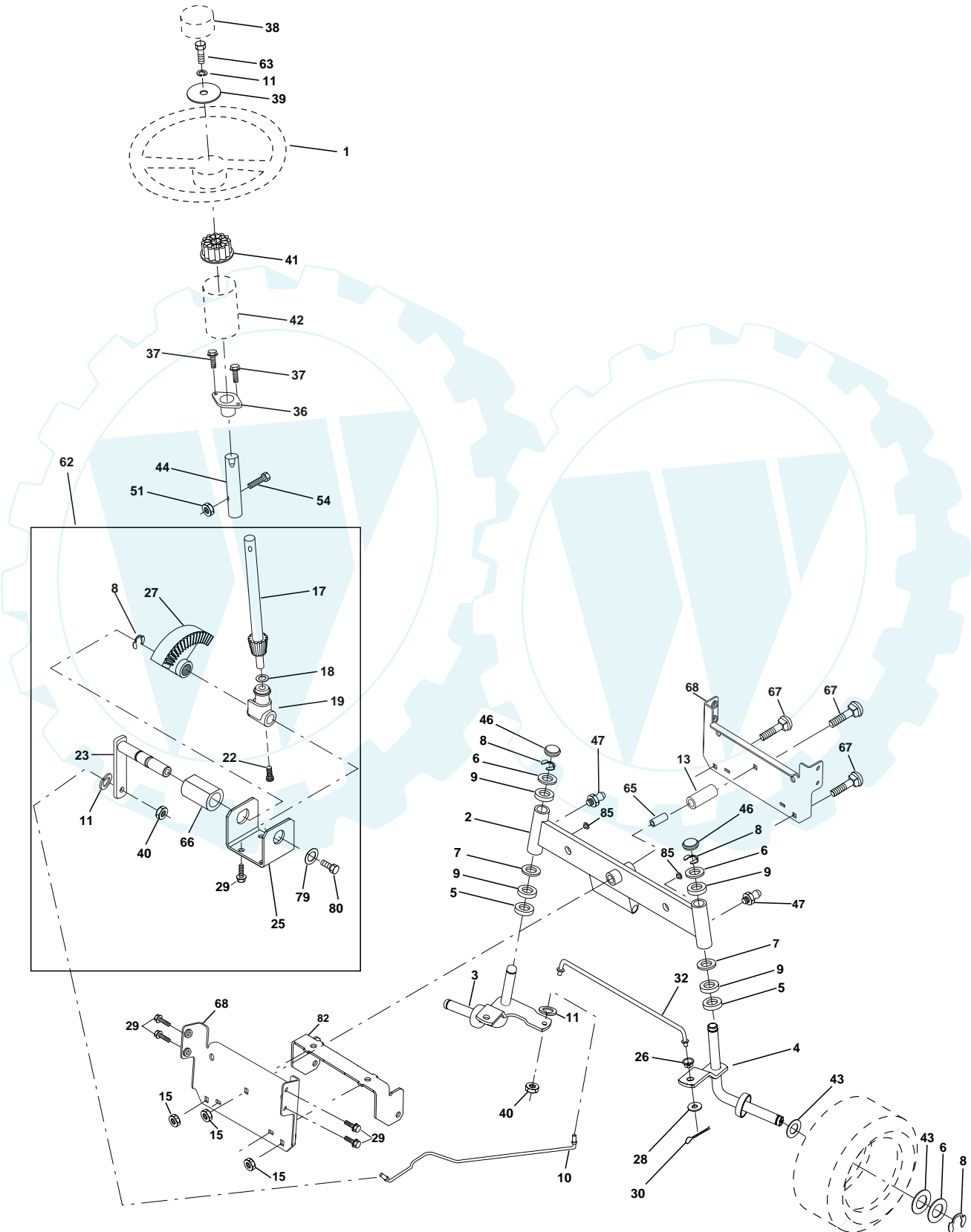
### DRIVE

KEY NO.	PART NO.	DESCRIPTION	KEY NO.	PART NO.	DESCRIPTION
1	-----	Transaxle Hydro Gear Model 314-0510 (Order parts from transaxle manufacturer)	64	71170764	Bolt, Hex
8	165619	Rod Shift Fender Adjust LT	65	10040700	Washer
10	76020416	Pin Cotter 1/8 x 1 CAD	66	154778	Keeper Belt Engine Hydro
14	10040400	Washer Lock Hvy Helical	69	142432	Screw
15	74490544	Bolt, Hex FLGHD 5/16-18 Gr. 5	70	162848	Keeper Belt Engine
16	73800500	Nut Lock Hex W/Ins 5/16-18 Unc P	71	169183	Strap Torque Lh Hydro
19	73800600	Nut Lock Hex W/Wsh 3/8-16 Unc	72	19132012	Washer 13/32 x 1-1/4 x 12 Gauge
21	106933X	Knob, Round 1/2-13	73	169182	Strap Torque Rh Hydro
22	169498	Rod, Brake Hydro	74	169496	Spacer, Axle
24	73350600	Nut	75	121749X	Washer 25/32 x 1-1/4 x 16 Gauge
25	106888X	Spring, Brake Rod	76	12000001	E-Ring
26	19131316	Washer	77	123583X	Key, Square
27	76020412	Pin Cotter 1/8 x 3/4 CAD.	78	121748X	Washer 25/32 x 1-5/8 x 16 Gauge
28	145204	Rod, Parking Brake	81	165596	Shaft Asm Cross Tapered
29	71673	Cap, Parking Brake	82	123782X	Spring Torsion T/A
30	169592	Bracket, Transaxle	83	19171216	Washer 17/32 x 3/4 x 16 Ga.
32	74760512	Bolt Hex Hd 5/16-18 Unc x 3/4	84	169594	Link, Transaxle Hydro 0500
34	155071	Shaft, Foot Pedal	89	<b>169373X428</b>	Console, Hydro
35	120183X	Bearing, Nylon	95	170201	Control Asm Bypass Hydro
36	19211616	Washer	96	4497H	Retainer Spring 1" Zinc/Cad
37	1572H	Pin, Roll	116	72110610	Bolt Rdhd Sq Neck 3/8-16 x 1.25
38	131494	Pulley, Idler, Flat	150	165850	Bushing Bellcrank Grd Drive
39	<b>74760644</b>	Bolt	151	19133210	Washer 13/32 x 2 x 10 Ga.
40	4470J	Spacer, Split	156	166002	Washer Srrted 5/16 ID x 1.125
41	165838	Keeper, Belt Idler	158	165589	Bracket Shift Mount
42	19131312	Washer 13/32 x 13/16 x 12 Gauge	159	165494	Hub Tapered Flange Shift LT
47	127783	Pulley, Idler, V-Groove	161	72140406	Bolt Rdhd Sqnk 1/4-20 x 3/4 Gr. 5
48	154407	Bellcrank Clutch Grd Drv Stl	162	73680400	Nut Crownlock 1/4-20 Unc
49	123205X	Retainer, Belt	163	74780416	Bolt Hex Fin 1/4-20 Unc x 1 Gr. 5
50	74760624	Bolt	164	19091010	Washer 5/8 x .281 x 10 Ga.
51	73680600	Nut Crownlock 3/8-16 UNC	165	165623	Bracket Pivot Lever
52	73680500	Nut Crownlock 5/16-18 UNC	166	166880	Screw 5/16-18 x 5/8
53	105710X	Link, Clutch	168	165492	Bolt Shoulder 5/16-18 x .561
55	105709X	Spring, Return, Clutch	169	165581	Plate Fastening LT
56	74760620	Bolt Fin Hex 3/8-16 UNC x 1-1/4	171	17490608	Screw Thdrol 3/8-16 x 1/2 TY-TT
57	140294	V-Belt, Ground Drive	197	169613	Nyliner Snap-In 5/8" Id
59	169691	Keeper, Center Span	198	169593	Washer Nyl 7/8 Id x .105
61	17060612	Screw 3/8-16 x 3/4	199	169612	Bolt Shoulder 5/16-18 Unc
62	8883R	Cover, Pedal	200	72140508	Bolt Rdhd Sqnk 5/16-18 Unc x 1
63	140186	Pulley, Engine	202	72110612	Bolt Carr Sh 3/8-16 x 1-1/2 Gr. 5

**NOTE:** All component dimensions given in U.S. inches  
1 inch = 25.4 mm

## TRACTOR - - MODEL NUMBER Q165H46B

### STEERING ASSEMBLY





## TRACTOR - - MODEL NUMBER Q165H46B

### STEERING ASSEMBLY

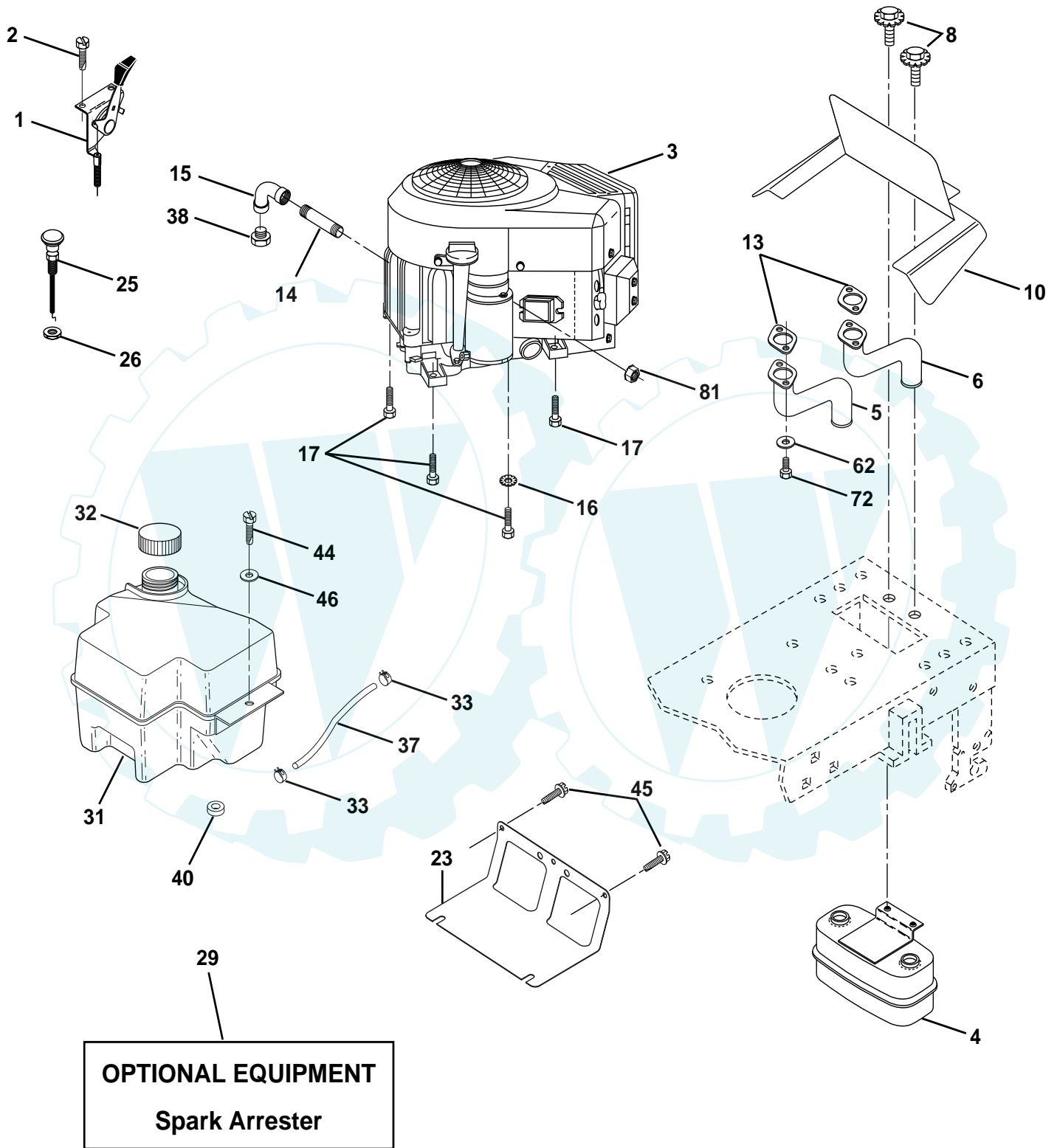
KEY NO.	PART NO.	DESCRIPTION
1	140044	Wheel Steering Auto Black
2	154427	Axle Asm Front
3	169840	Spindle Asm Lh
4	169839	Spindle Asm Rh
5	6266H	Bearing Race Thrust Harden
6	121748X	Washer 25/32 X 1 5/8 X 16ga
7	19272016	Washer 27/32 X 1 1/4 X 16 Ga
8	12000029	Ring Klip #t5304-75
9	3366R	Bearing Col Strg Blk
10	169832	Link Drag
11	10040600	Lockwasher
13	136518	Spacer Bearing Axle Front
15	145212	Nut Hexflange Lock
17	156546	Shaft Asm Strg 5/8 X 15 19 Lt
18	57079	Washer Thrust 515x 750x 033
19	160395	Support Shaft
22	165857	Screw Hex WshHd Torx
23	165851	Shaft Asm Pittman
25	154406	Bracket Steering
26	126847X	Bushing Rod Tie Blk Lt
27	136874	Gear Sector
28	19131416	Washer 13/32 X 7/8 X 16ga
29	17060612	Screw 3/8-16x3/4
30	76020412	Pin
32	130465	Rod Tie Wire Form 19 75 Mech
36	155099	Bushing Strg 5/8 Id Dash
37	152927	Screw TT #10-32 x 5 x 3/8 Flange
38	140045	Insert Cap Strg
39	19133812	Washer 13/32 X 2-3/8 X 12 Ga
40	7810H	Locknut Center
41	100711L	Adaptor Wheel Strg 640/ 635id
42	145054X428	Boot Dash Steering
43	121749X	Washer 25/32 X 1 1/4 X 16 Ga
44	153720	Extension Steering Non-Adjust
46	121232X	Cap Spindle Fr Top Blk
47	6855M	Fitting Grease
51	73800500	Nut Lock Hex W/Ins.
54	74780520	Bolt Fin Hex 5/16-18 Unc P
62	167902	Kit Steering Assembly Service
63	74780616	Bolt Fin Hex 3/8-16unc x Gr. 5
65	160367	Spacer Axle
66	154404	Bearing Arm Pittman
67	72140618	Bolt Rdhd Sq 3/8-16 Unc x 2-1/4
68	169827	Brace Axle
79	19132012	Washer 13/32 x 1-1/4 x 12 Ga.
80	74950612	Bolt Hex Nylon 3/8-16 x 3/4
82	169835	Bracket Susp Chassis Front
85	133835	Fastner Christmas Tree

**NOTE:** All component dimensions given in U.S. inches  
1 inch = 25.4 mm

# REPAIR PARTS

## TRACTOR - - MODEL NUMBER Q165H46B

### ENGINE



## TRACTOR - - MODEL NUMBER Q165H46B

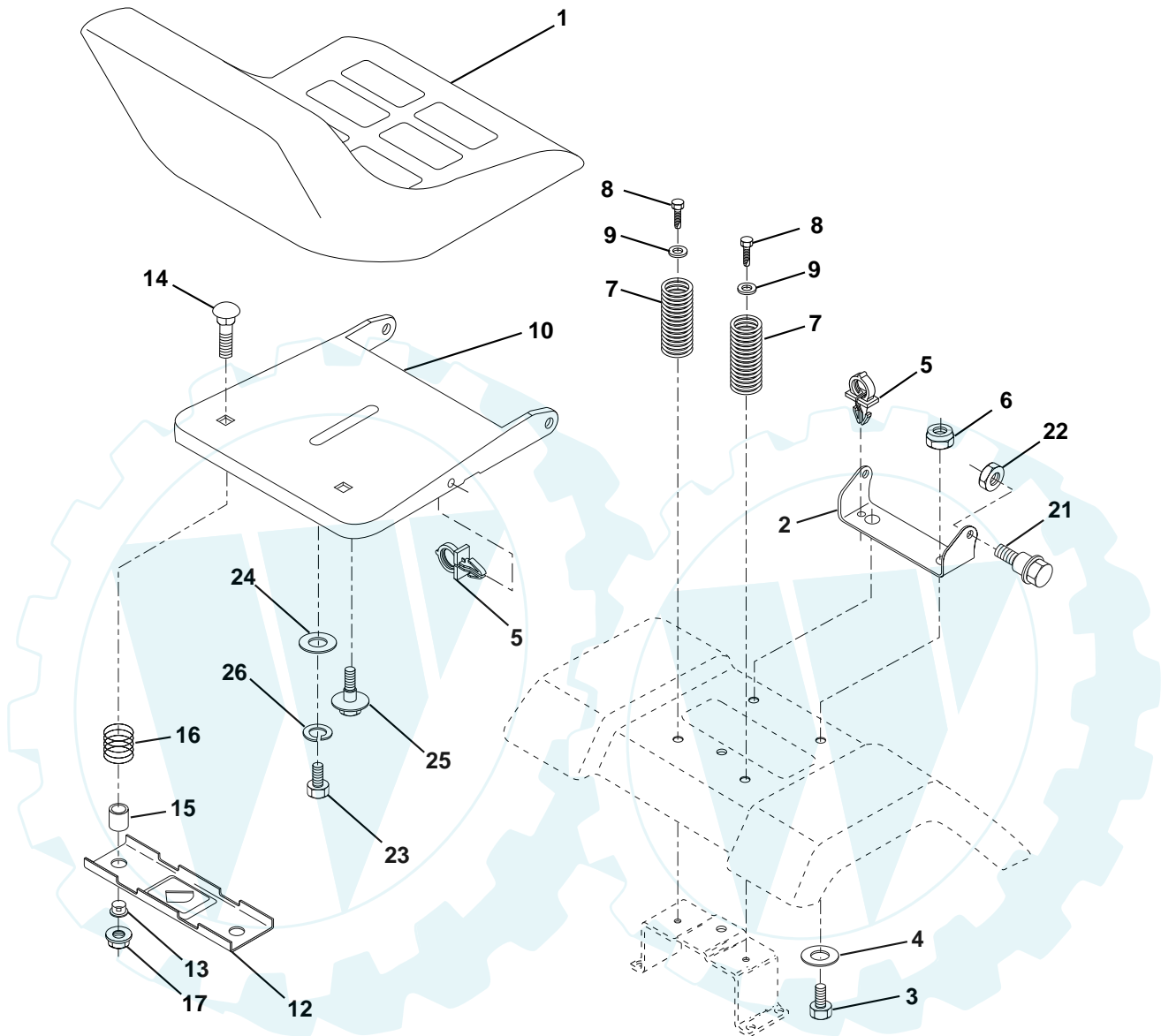
### ENGINE

KEY NO.	PART NO.	DESCRIPTION
1	<b>148875</b>	Control Throt
2	17720410	Screw Hex Thd Cut 1/4-20x5/8 T
3	-----	Engine Briggs Model 42D 777 (Order Parts from Engine Manufacturer)
4	149723	Muffler Exhaust
5	<b>159955</b>	Exhaust Asm. Left
6	<b>160589</b>	Exhaust Asm. Right
8	150176	Bolt 5/16-18unc x 3/4 w/sems
10	<b>162797</b>	Shield Heat
13	<b>165391</b>	Gasket Muffler
14	13280336	Nipple Pipe 4-12"
15	13200300	Elbow Std 90 Degree 3/8-18 Npt
16	11050600	Washer Lock Ext Tooth 3/8
17	17490624	Screw Thdrol 3/8-16 x 1-1/2 Tytt
23	169837	Shield Brn/Dbr Guard
25	145996	Control Choke
26	73920600	Nut Keps 3/8-24 UNF
29	137180	Arrestor Spark
31	161911	Tank Fuel Front 2.00
32	140527	Cap Fuel
33	123487X	Clamp Hose Blk
37	137040	Line Fuel
38	-----	Plug Oil Drain (Order from engine manufacturer)
40	124028X	Bushing Snap Nyl Blk Fuel Line
44	<b>17670412</b>	Screw Hex wsh Thdrol 1/4-20 x 3/4
45	17000612	Screw Hex Wsh Thdr 3/8-16 x 3/4
46	19091416	Washer 9/32 x 7/8 x 16 Ga.
62	<b>10040500</b>	Washer Lock Hvy HLCL Spr 5/16
72	<b>71070512</b>	Screw Hex Hd Cap 5/16-18 x 3/4
81	73510400	Nut Keps Hex 1/4-20 Unc

**NOTE:** All component dimensions given in U. S.  
inches 1 inch = 25.4 mm

## TRACTOR - - MODEL NUMBER Q165H46B

### SEAT ASSEMBLY



KEY NO.	PART NO.	DESCRIPTION
1	127427	Seat
2	140551	Bracket Pnt Pivot Seat (blk )
3	71110616	Bolt
4	19131610	Washer 13/32 X 1 X 10 Ga
5	145006	Clip Push-In Hinged
6	73800600	Nut
7	124181X	Spring Seat Cprsn 2 250 Blk Zi
8	<b>17000616</b>	Screw 3/8-16 X 1-1/2
9	19131614	Washer 13/32 X 1 X 14 Ga
10	155925	Pan Pnt Seat (blk )
12	121246X	Bracket Pnt Mounting Switch
13	121248X	Bushing Snap Blk Nyl 50 Id

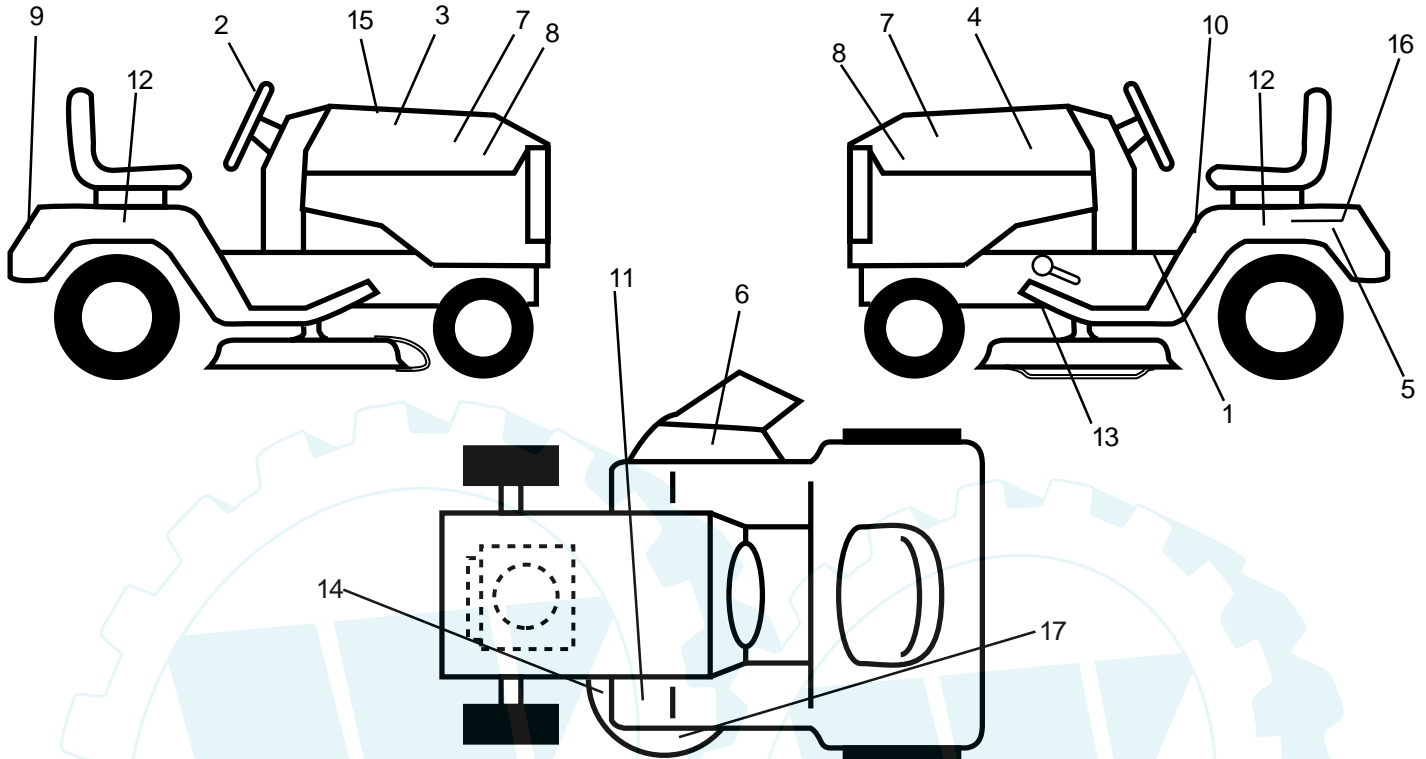
KEY NO.	PART NO.	DESCRIPTION
14	72050412	Bolt Rdhd Sht Nk 1/4-20x1-1/2
15	134300	Spacer Split 28 X96 Yel Zinc
16	121250X	Spring Cprsn 1 27 Blk Pnt
17	123976X	Nut Lock 1/4 Lge Flg Gr 5 Zinc
21	171852	Bolt Shoulder 5/16-18 Unc Blkz-2A
22	73800500	Nut
23	<b>71110814</b>	Bolt Fin Hex 1/2-13 X 7/8 Gr 5
24	19171912	Washer 17/32 X 1-3/16 X 12 Ga
25	127018X	Bolt Shoulder 5/16-18 X 62
26	10040800	Lockwasher

**NOTE:** All component dimensions given in U.S. inches  
1 inch = 25.4 mm

# REPAIR PARTS

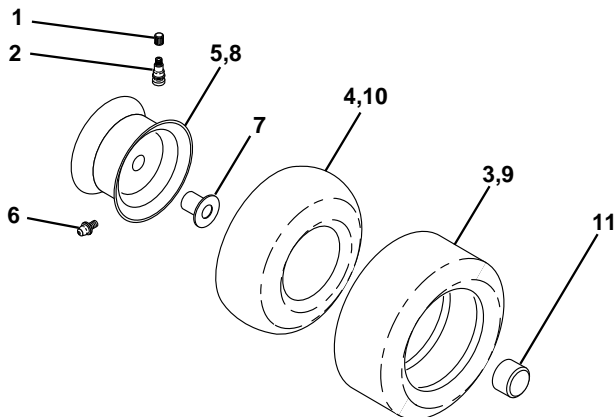
## TRACTOR - - MODEL NUMBER Q165H46B

### DECALS



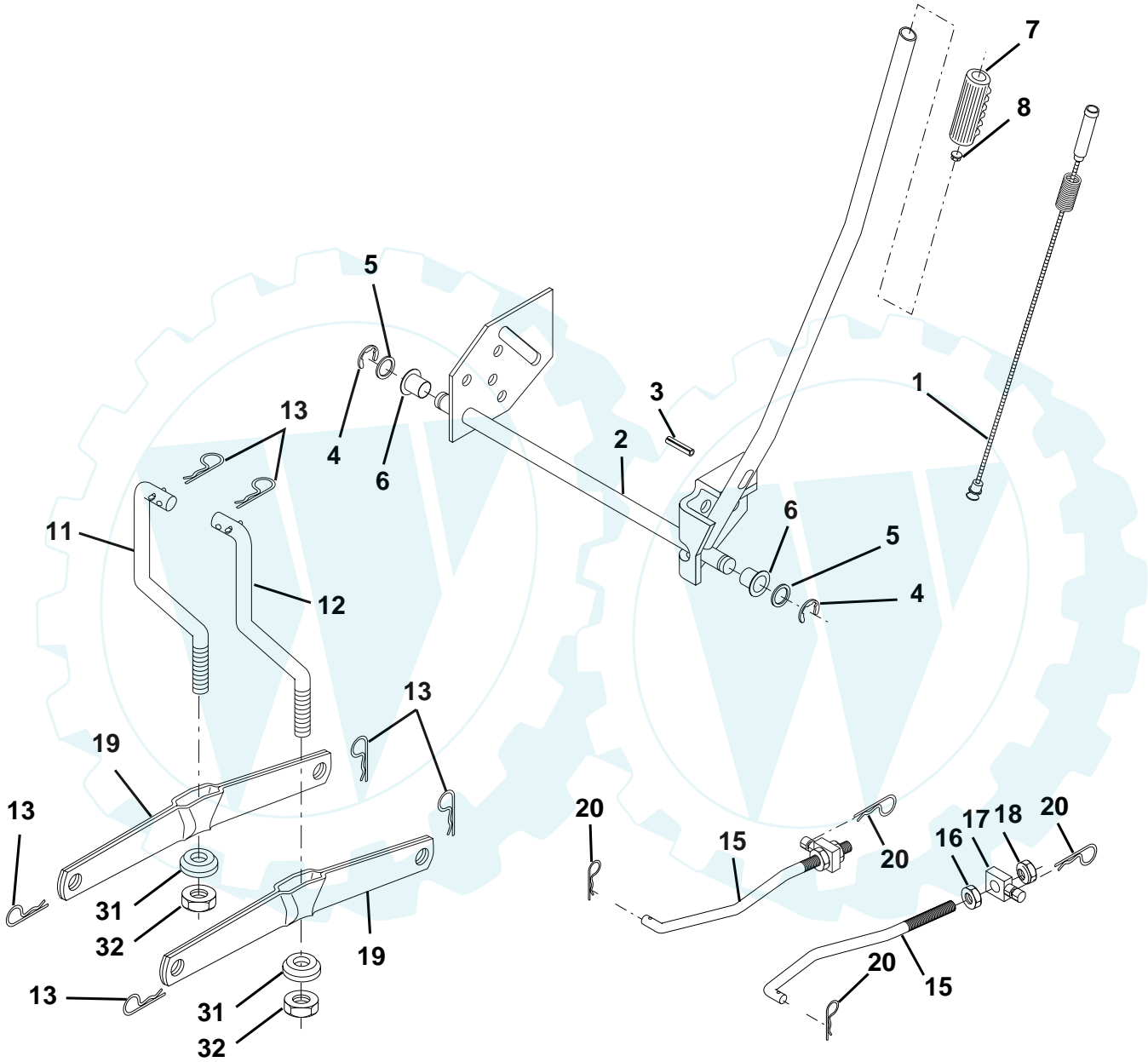
KEY NO.	PART NO.	DESCRIPTION
1	156868	Decal Instruction Operat English
2	172375	Decal Ins Strg Wh
3	172622	Decal Hood Rh
4	172623	Decal Hood Lh
5	168427	Decal Battery
7	172376	Decal Panel Side
8	173260	Decal Panel Side
9	172372	Decal Fender Logo
10	157002	Decal Danger English
11	4900J	Decal Clutch/brake English
12	172592	Decal Fender Auto Rad

KEY NO.	PART NO.	DESCRIPTION
13	146046	Decal V-Belt Drive Sch
14	139346	Decal V-belt Schematic 42"
15	172462	Decal Replacement Parts
16	145005	Decal Battery Danger/Poison
17	134999	Decal Deck Enviro
--	138311	Decal Lift Handle
--	157199X428	Pad Footrest
--	174268	Manual Owner's English
--	169210	Decal By-Pass



KEY NO.	PART NO.	DESCRIPTION
1	59192	Cap Valve Tire
2	65139	Stem Valve
3	106222X	Tire F Ts 15 X 6 0 - 6 Service
4	59904	Tube Front (Service Item Only)
5	106732X427	Rim Asm 6"front White Service
6	278H	Fitting Grease (Front Wheel Only)
7	9040H	Bearing Flange (Front Wheel Only)
8	106108X427	Rim Asm 8"rear White Service
9	138468	Tire R Ts 20 x 8-8 C Service
10	7152J	Tube Rear (Service Item Only)
11	104757X	Cap Axle Blk 1 50 X 1 00
--	144334	Sealant, Tire (10 oz. Tube)

**NOTE:** All component dimensions given in U.S. inches  
1 inch = 25.4 mm



## TRACTOR - - MODEL NUMBER Q165H46B

### MOWER LIFT

KEY NO.	PART NO.	DESCRIPTION
1	159460	Wire Asm Inner/Sprg w/Plunger
2	159471	Shaft Asm Lift
3	105767X	Pin Groove
4	12000002	E Ring #5133-62
5	19211621	Washer 21/32 x 1 x 21 Ga.
6	120183X	Bearing Nylon
7	109413X	Grip Handle
8	124526X	Button Plunger
11	139865	Link Lift Lh
12	139866	Link Lift Rh
13	4939M	Retainer Spring
15	<b>173288</b>	Link Front
16	73350800	Nut Jam Hex 1/2-13 Unc
17	130171	Trunnion Blk Zinc
18	73800800	Nut Lock W/Wsh 1/2-13 Unc
19	139868	Arm Suspension Rear
20	163552	Retainer Spring
31	140302	Bearing Pvt Lift Spherical
32	73540600	Nut Crownlock 3/8-24

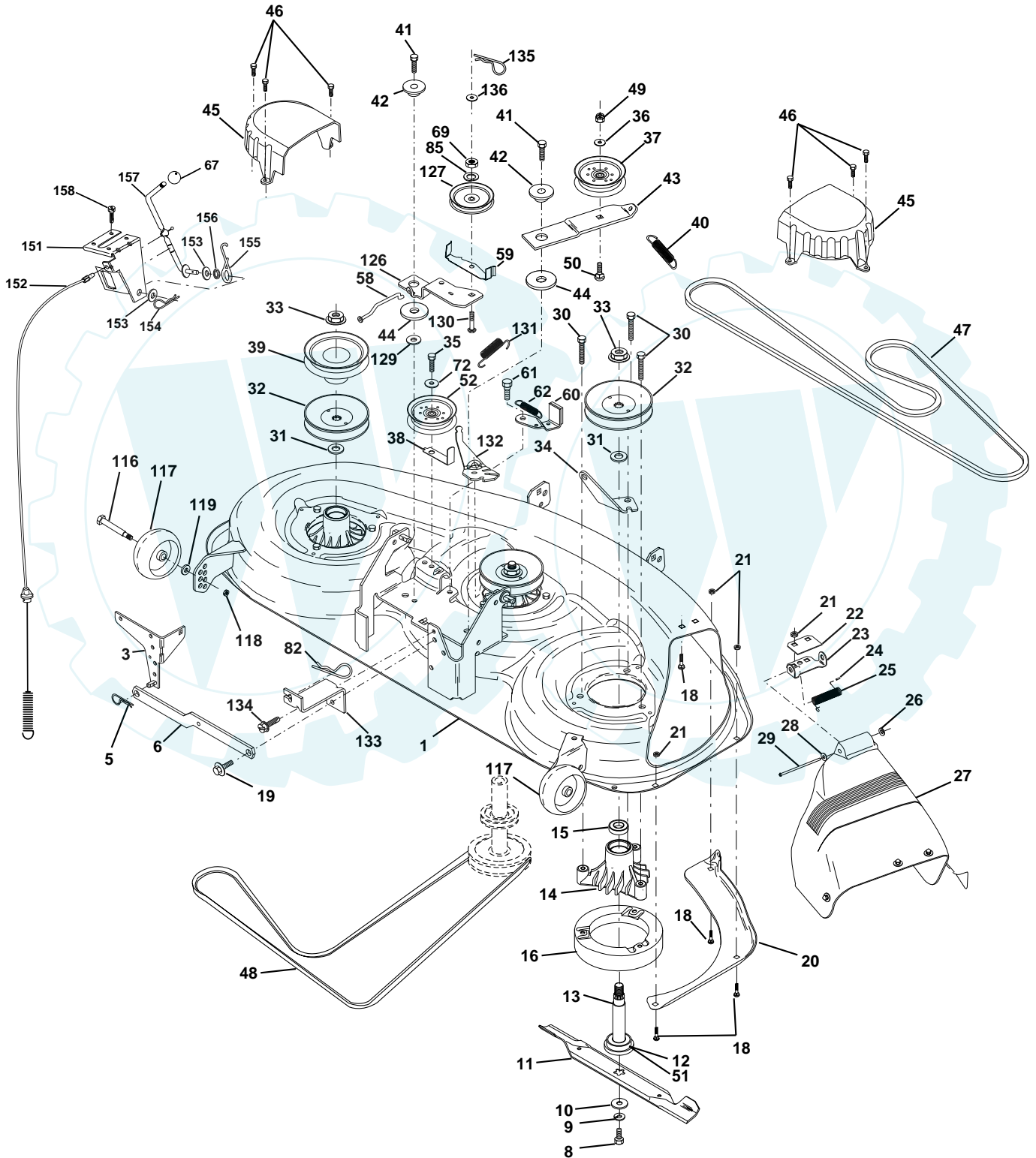
**NOTE:** All component dimensions given in U.S. inches  
1 inch = 25.4 mm

# REPAIR PARTS

[www.ersatzteil-service.de](http://www.ersatzteil-service.de)

## TRACTOR - - MODEL NUMBER Q165H46B

### MOWER DECK





## TRACTOR - - MODEL NUMBER Q165H46B

### MOWER DECK

KEY NO.	PART NO.	DESCRIPTION	KEY NO.	PART NO.	DESCRIPTION
1	164210	Deck Asm., Mower 46"	48	<b>139573</b>	V-Belt, Mower, Primary
3	138457	Bracket Asm., Sway Bar	49	73680600	Nut, Crownlock 3/8-16 UNC
5	4939M	Retainer Spring	50	72110612	Bolt, Carriage 3/8-16 x 1-1/2 Gr. 5
6	130832	Arm, Suspension, Rear (Sway Bar)	51	153390	Washer, Felt
8	850857	Bolt, Patched 3/8-24 x 1-1/4 Gr. 8	52	165888	Pulley, Idler, Flat
9	10030600	Washer, Lock Hvy., Unplated 3/8	58	165906	Rod Brake 46"
10	140296	Washer, Hard Blade, Mower Vented	59	157034	Guide, Belt 46" Mower
11	170698	Blade, 46" Mower Deck	60	156722	Arm Asm. Brake 46"
12	129895	Bearing, Ball, Mandrel #6204	61	161315	Bolt, Shoulder 5/16-18 Type TT
13	137553	Shaft Asm. w/Lower Bearing (Includes Key No. 12)	62	131870	Spring Return
14	137152	Housing, Mandrel	67	106932X	Knob Rd 3/8-16 Plstc hds Blk
15	110485X	Bearing, Ball, Mandrel	69	73350600	Nut, Hex Jam 3/8-16 Unc
16	140329	Stripper, Mower Round	72	19131316	Washer 13/32 x 13/16 x 16 Ga.
18	72140505	Bolt, Carriage 5/16-18 x 5/8	82	4497H	Retainer Spring 1"
19	132827	Bolt, Hex Head, Shoulder 5/16-18	85	10040600	Washer, Lock Hvy Hlcl Spr 3/8
20	145055	Baffle, Vortex Mower 46"	116	4898H	Bolt, Shoulder
21	73680500	Nut, Crownlock 5/16-18 UNC	117	165746	Gauge Wheel
22	134753	Stiffener, Bracket	118	73930600	Nut, Centerlock 3/8-16 UNC
23	131267	Bracket, Deflector	119	19121414	Washer 3/8 x 7/8 x 14 Ga.
24	105304X	Cap, Sleeve	126	156472	Arm, Idler, Deck 46" Mech.
25	149287	Spring, Torsion, Deflector	127	146763	Pulley, Idler, V-Groove Dim. 4.25
26	110452X	Nut, Push	129	19133808	Washer 13/32 x 2-3/8 x 8 Ga.
27	<b>166883X428</b>	Shield, Deflector Mower	130	165891	Bolt Carriage Idler
28	19111016	Washer 11/32 x 5/8 x 16 Ga.	131	169022	Spring Return Idler
29	131491	Rod, Hinge	132	165890	Arm Spring Brake Mower
30	157722	Screw Thd Rolling Washer Head	133	165904	Bracket Anchor Cable 46"
31	129963	Washer, Spacer Mower Vented	134	17490512	Screw Thdrol 5/16-18 x 3/4
32	153531	Pulley, Mandrel	135	165898	Retainer Spring Yellow
33	137266	Nut, Flg. Top Lock Cntr. 9/16	136	19091216	Washer 9/32 x 3/4 x 16 Ga
34	144945	Anchor, Spring Deck 46"	151	169670	Bracket Clutch Cable
35	17490628	Screw, Thdroll 3/8-16 x 1-3/4 Tytt	152	170328	Clutch Cable 38"/46"
36	19131316	Washer 13/32 x 13/16 x 16 Ga.	153	169674	Washer Flat 3/8" Type B
37	131494	Pulley, Idler, Flat	154	169675	Spring Retainer
38	156085	Keeper, Belt, Idler	155	<b>169671</b>	Spring Retention
39	144917	Pulley, Idler, Driven	156	169672	Spacer Clutch Cable
40	137273	Spring, Secondary 44/46/50 Vent	157	169669	Rod Clutch Cable 38"
41	17060620	Screw, Thdroll 3/8-16 x 1-1/4	158	17720410	Screw Hex Thd Cut 1/4-20 x 5/8
42	165723	Spacer, Retainer	---	172497	Deck Complete (Std. Deck-Order separately gauge wheel components Key Nos. 116-118)
43	144949	Arm, Idler Secondary	---	143651	Mandrel Assm. Service
44	133943	Washer, Hardened			
45	145059	Cover, Mandrel Deck			
46	137729	Screw, Thdroll. 1/4-20 x 5/8			
47	144959	V-Belt, Mower, Secondary			

**NOTE:** All component dimensions given in U.S. inches  
1 inch = 25.4 mm