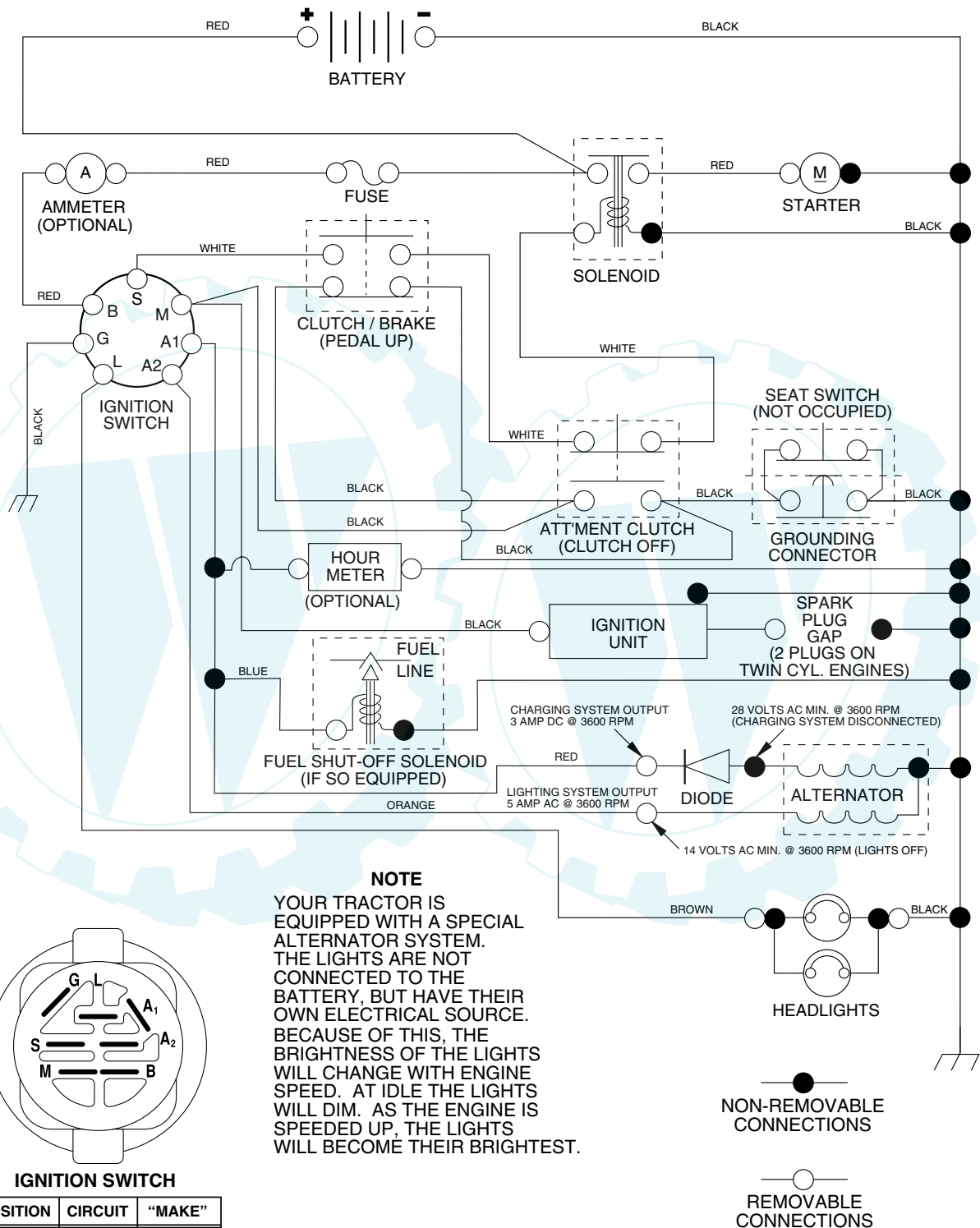


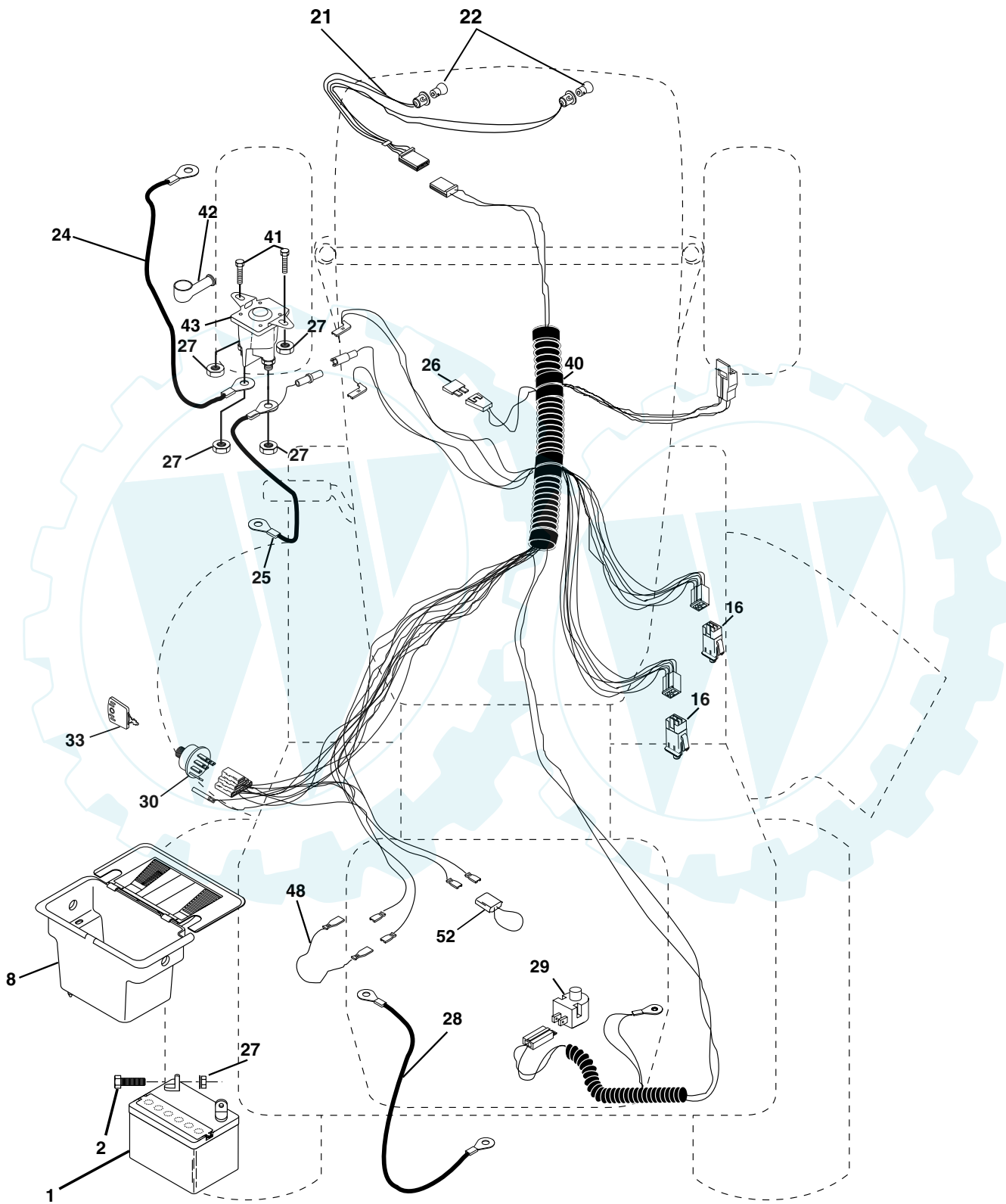
TRACTOR - - MODEL NUMBER Q14542B

SCHEMATIC



TRACTOR - - MODEL NUMBER Q14542B

ELECTRICAL



TRACTOR - - MODEL NUMBER Q14542B

ELECTRICAL

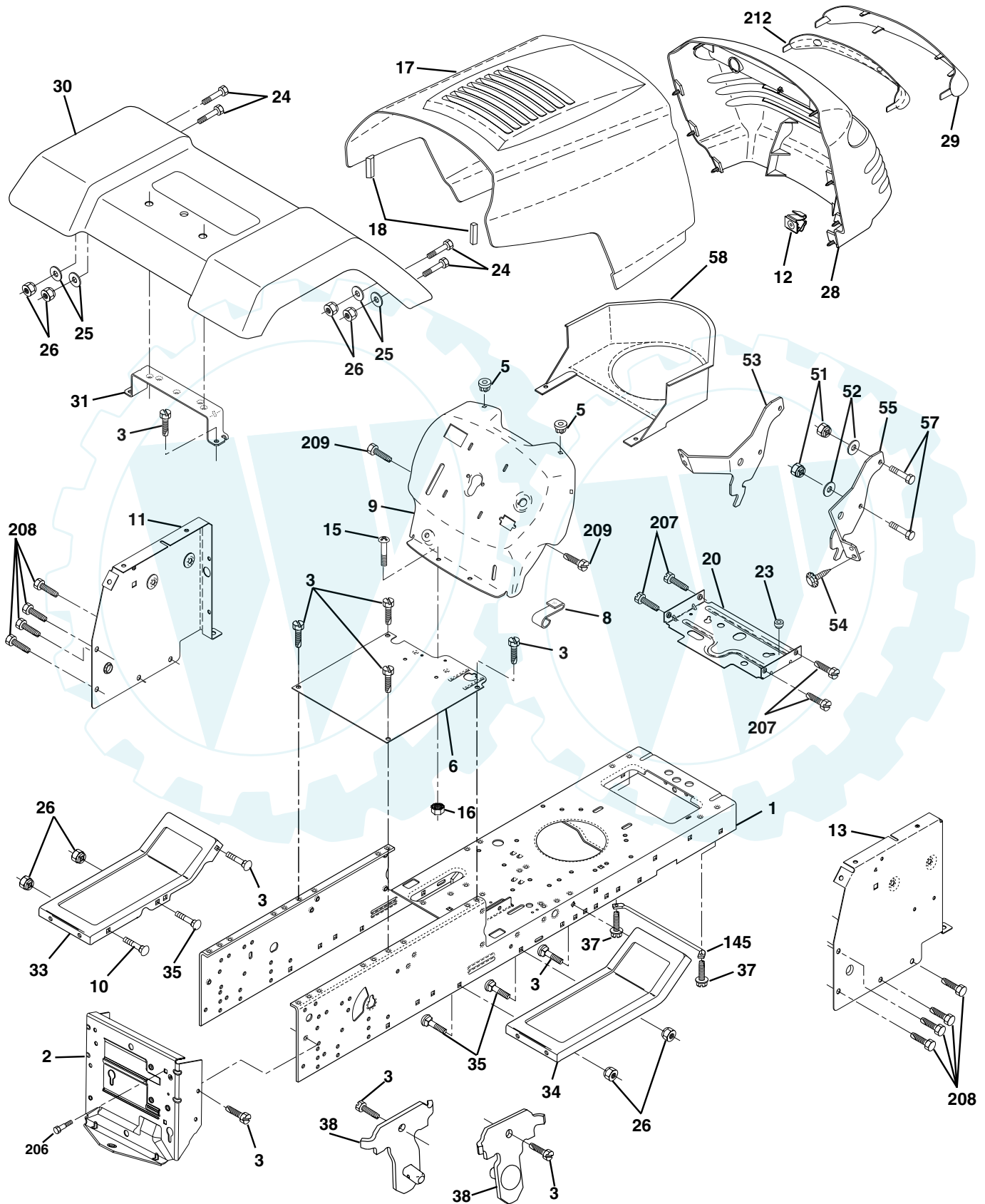
KEY NO.	PART NO.	DESCRIPTION
1	144925	Battery 12 Volt 25 Amp
2	74760412	Bolt Hex Hd 1/4-20unc X 3/4
8	156417	Case Battery
16	153664	Switch Interlock Push -In
21	166181	Harness Asm Light W/4152J
22	4152J	Bulb Light #1156
24	4799J	Cable Battery 6 Ga 11"red
25	146147	Cable Battery 6 Ga w/16 wire,red
26	166180	Fuse 15 AMP
27	73510400	Nut Keps Hex 1/4-20 unc
28	4207J	Cable Ground 6 Ga 12" black
29	121305X	Switch Plunger Nc Gray
30	163968	Switch Ign
33	140401	Key Ign
40	170217	Harness Ign
41	71110408	Bolt Blk Fin Hex 1/4-20 X 1/2
42	131563	Cover Terminal Red
43	145673	Solenoid
48	140844	Adapter Ammeter Rectangular
52	141940	Protection Wire Loop

NOTE: All component dimensions give in U.S. inches
1 inch = 25.4 mm.

REPAIR PARTS

TRACTOR - - MODEL NUMBER Q14542B

CHASSIS AND ENCLOSURES



TRACTOR - - MODEL NUMBER Q14542B

CHASSIS AND ENCLOSURES

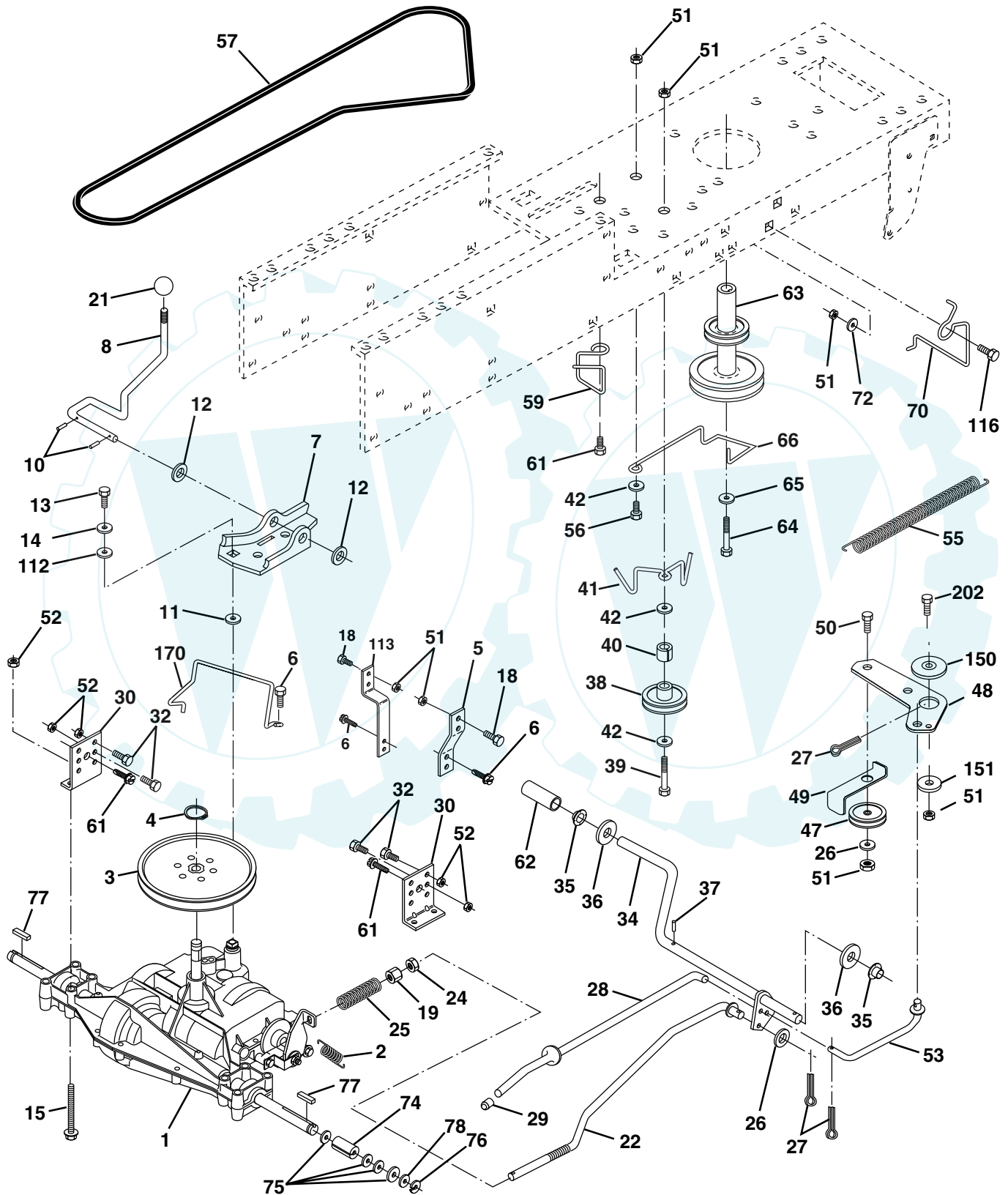
KEY NO.	PART NO.	DESCRIPTION
1	169831	Chassis
2	169061	Drawbar
3	17060612	Screw 3/8-16 x 3/4
5	155272	BumperHood/Dash
6	155924X015	Saddle Slkscr Flat Lt 6Sp
8	155138	Clip Retainer Slide-On
9	168347X011	Dash
10	72140608	Bolt RdHd Sqnk. 3/8-16 Unc x 1
11	155927	Panel Asm. Dash Lh
12	145660	Clip Tinnerman Grile P/L
13	172107X010	Panel Dash Rh
15	74180512	Screw Mach Trhd 5/16-18 Unc x 3/4
16	73510500	Nut Keps 5/16-18 Unc
17	159639X602	Hood
18	126938X	Bumper Hood
20	156437	Plate Mtg Battery/Fuel Tank
23	124028X	Bushing Snap Nyl Blk Fuel Line
24	74780616	Bolt Fin Hex 3/8-16 Unc x 1 Gr. 5
25	19131312	Washer 13/32 x 13/16 x 12 Ga.
26	73800600	Nut Lock Hex w/Insert 3/8-16 UNC
28	140434	Grille/Lens Asm
29	140273X599	Lens Grille Private label
30	169465X602	Fender Asm
31	136619	Bracket Fender
33	145244X602	Footrest
34	145243X602	Footrest
35	72110606	Bolt RdHd Sht. Sqnk. 3/8-16 x 3/4
37	17490508	Screw Thdrol 5/16-18 x 1/2 Tyt
38	169834	Bracket Asm. Pivot Mower Rear
51	73800400	Nut Lock Hex W/Ins. 1/4-20
52	19091416	Washer 9/32 x 7/8 x 16 Ga.
53	144697	Bracket Grille LH
54	161464	Screw Hex Wshd 8-18 x 7/8
55	144696	Bracket, Grille RH
57	74780412	Bolt Fin Hex 1/4-20 x .75
58	140547	Air Duct Private Label
145	156524	Rod Pivot Chassis/Hood
206	170165	Bolt shoulder 5/16-18
207	17670508	Screw Thdrol 5/16-18 x 1/2
208	17670608	Screw Thdrol 3/8-16 x 1/2
209	17000612	Screw Hex Wsh Thdrol 3/8-16
212	156229	Insert Lens Reflective
--	5479J	Plug Btn Blk

NOTE: All component dimensions given in U.S. inches
1 inch = 25.4 mm

REPAIR PARTS

TRACTOR - - MODEL NUMBER Q14542B

DRIVE



REPAIR PARTS

TRACTOR - - MODEL NUMBER Q14542B

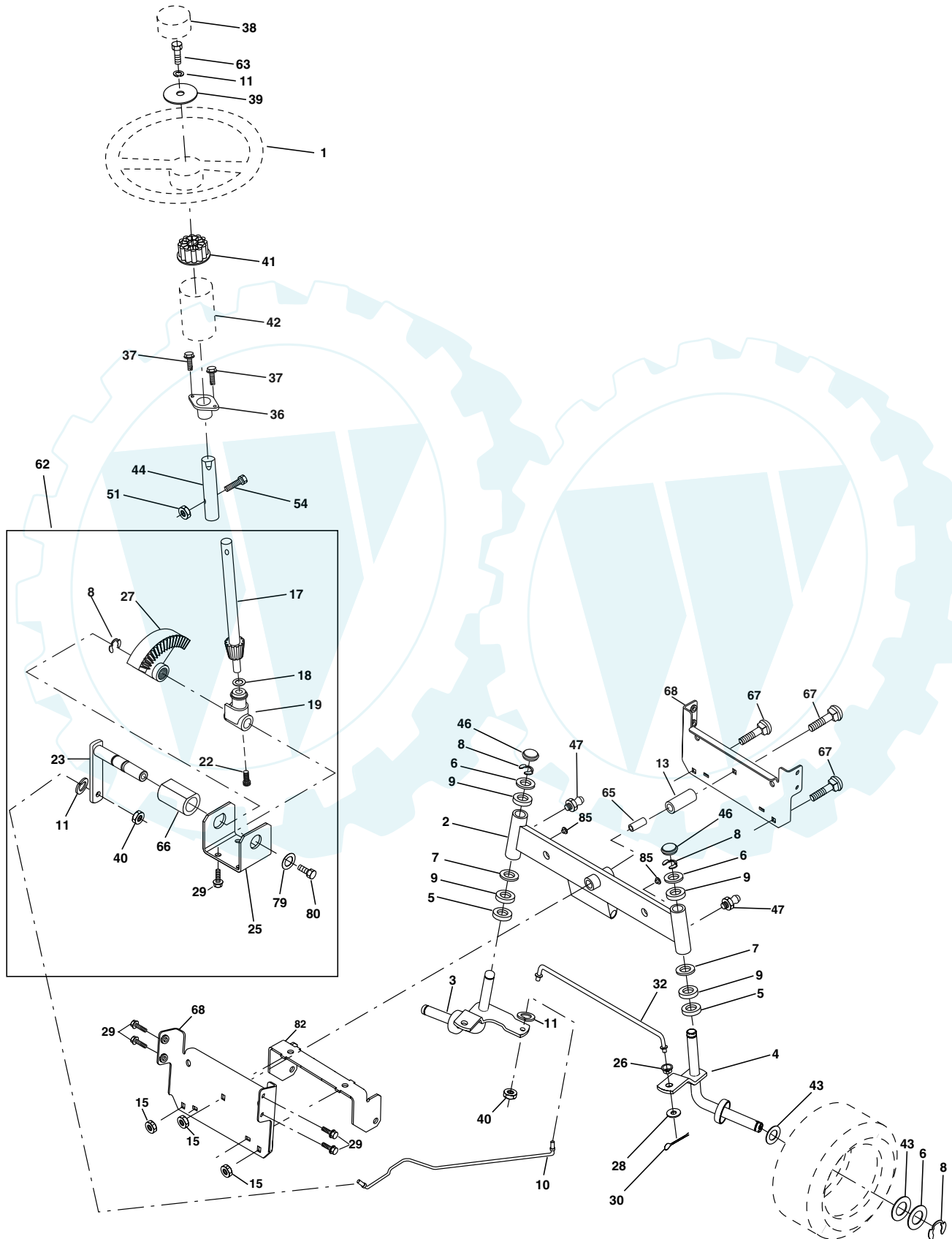
DRIVE

KEY NO.	PART NO.	DESCRIPTION	KEY NO.	PART NO.	DESCRIPTION
1	-----	Transaxle Dana Model D4360-140 (Order Parts From Transaxle Manufacturer)	42	19131312	Washer 13/32 X 13/16 X 12 Ga
2	146682	Spring Extension Brake	47	127783	Pulley Idler V Groove Plastic
3	123666X	Pulley Transaxle 18" tires	48	154407	Bellcrank Clutch
4	12000028	Ring Retainer # 5100-62	49	123205X	Retainer Belt Style Spring
5	121520X	Strap Torque Rh Pnt Blk	50	74760624	Bolt
6	17060512	Screw 5/16-18 X 3/4	51	73680600	Nut
7	162240	Bracket T/A Saddle Shift	52	73680500	Nut
8	131679	Rod Shifter Black(dana)	53	105710X	Link Clutch 7 66
10	76020416	Pin	55	105709X	Spring Return Clutch 6 75
11	105701X	Washer Plate Shf 388 Sq Hole	56	74760620	Bolt
12	19151216	Washer 15/32 X 3/4 X 16ga	57	160855	V-belt Ground Drive
13	74550412	Bolt 1/4-28 UNF Gr. 8 W/Patch	59	169691	Keeper Belt Chassis Span Ctr.
15	74490544	Bolt Hex Flghd 5/16-18 x Gr. 5	61	17060612	Screw 3/8-16x3/4
14	10040400	Washer	62	8883R	Cover Pedal Blk Round
18	74780616	Bolt Fin Hex 3/8-16 UNC x 1 Gr. 5	63	140186	Pulley Engine
19	73800600	Nut	64	71170764	Bolt, Hex 7/16-20 x 4 Grade 5
21	106933X	Knob Rd 1/2-13 Plstc Thds Blk	65	10040700	Washer, Lock, Hvy Hlcl Spring 7/16
22	130804	Rod Brake Lt	66	154778	Keeper Belt Engine Flproof
24	73350600	Nut	70	134683	Guide Belt Dr Mower Rh
25	106888X	Spring Rod Brake 2 00 Zinc	72	19132012	Washer 13/32 X 1-1/4 X 12 Ga
26	19131016	Washer	74	109502X	Spacer Split
27	76020412	Pin	75	121749X	Washer 25/32 X 1 1/4 X 16 Ga
28	145204	Rod Brake Parking Lt/Yt	76	12000001	E Ring
29	71673	Cap Parking Brake	77	123583X	Key Square 2 0 X 1845/ 1865
30	130807	Bracket Transmission	78	121748X	Washer 25/32 X 1 5/8 X 16ga
32	74760512	Bolt	112	19091210	Washer 9/32 X 3/4 X 10 Ga
34	155071	Shaft Asm Pedal Foot	113	127285X	Strap Torque Lh
35	120183X	Bearing Nylon Blk 629 Id	116	72110610	Bolt, Rdhd Sqnk 3/8-16 x 1.25
36	19211616	Washer	150	165850	Bushing Bellcrank
37	1572H	Roll Pin	151	19133210	Washer 13/32 x 2 x 10 Ga.
38	131494	Pulley Idler Flat	170	165849	Keeper Belt Transaxle Gear
39	74760644	Bolt Fin Hex 3/8-16 Unc x 2-3/4	202	72110612	Bolt Carr. Sh. 3/8-16 x 1-1/2 Gr. 5
40	4470J	Spacer Split 395 X 59 Bzp	204	17000512	Screw 5/16-18 x 3/4
41	165838	Keeper Belt Idler			

NOTE: All component dimensions given in U.S. inches
1 inch = 25.4 mm

TRACTOR - - MODEL NUMBER Q14542B

STEERING ASSEMBLY



TRACTOR - - MODEL NUMBER Q14542B

STEERING ASSEMBLY

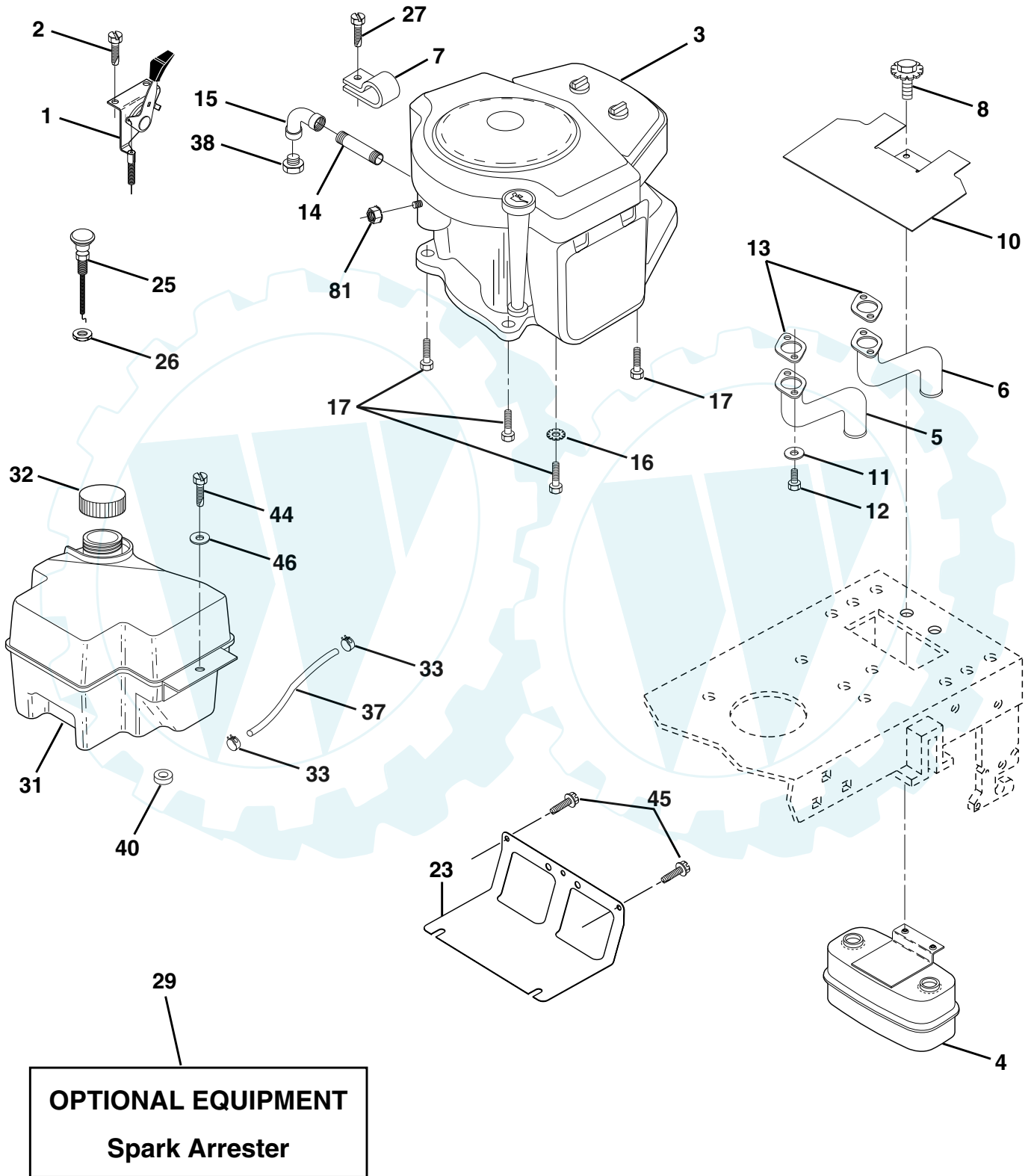
KEY NO.	PART NO.	DESCRIPTION
1	140044	Wheel Steering Auto Black
2	154427	Axle Asm Front
3	156483	Spindle Asm Lh
4	157473	Spindle Asm Rh
5	6266H	Bearing Race Thrust Harden
6	121748X	Washer 25/32 X 1 5/8 X 16ga
7	19272016	Washer 27/32 X 1 1/4 X 16 Ga
8	12000029	Ring Klip #t5304-75
9	3366R	Bearing Col Strg Blk
10	169832	Link Drag Extended
11	10040600	Lockwasher
13	136518	Spacer Bearing Axle Front
15	145212	Hex Flange Lock
17	156546	Shaft Asm Strg 5/8 X 15 19 Lt
18	57079	Washer Thrust 515x 750x 033
19	160395	Support Shaft
22	165857	Screw Hex Wsh Hd Torx
23	165851	Shaft Asm Pittman
25	154406	Bracket Steering
26	126847X	Bushing Rod Tie Blk Lt
27	136874	Gear Sector
28	19131416	Washer 13/32 X 7/8 X 16ga
29	17060612	Screw 3/8-16x3/4
30	76020412	Pin
32	130465	Rod Tie Wire Form 19 75 Mech
36	155099	Bushing Strg 5/8 Id Dash
37	152927	Screw TT #10-32 x 5 x 3/8 Flange
38	140045	Insert Cap Strg
39	19133812	Washer 13/32 x 2-3/8 x 12 Ga
40	7810H	Locknut Center
41	100711L	Adaptor Wheel Strg 640/ 635id
42	145054X428	Boot Dash Steering
43	121749X	Washer 25/32 X 1 1/4 X 16 Ga
44	153720	Extension Steering Non-Adjust
46	121232X	Cap Spindle Fr Top Blk
47	6855M	Fitting Grease
51	73800500	Nut Lock Hex W/Ins.
54	74780520	Bolt Fin Hex 5/16-18 Unc P
62	167902	Kit Steering Assembly Service
63	74780616	Bolt Fin Hex 3/8-16unc x Gr. 5
65	160367	Spacer Brace Axle
66	154404	Bearing Arm Pittman
67	72140618	Bolt Rdhd Sq 3/8-16 Unc x 2-3/4
68	169827	Brace Axle
79	19132012	Washer 13/32 x 1-1/4 x 12 Ga
80	74950612	Bolt Hex Nylon 3/8-16 x 3/4
82	169835	Bracket Susp Chassis Front
85	133835	Fastner Christmas Tree

NOTE: All component dimensions given in U.S. inches
1 inch = 25.4 mm

REPAIR PARTS

TRACTOR - - MODEL NUMBER Q14542B

ENGINE



REPAIR PARTS

TRACTOR - - MODEL NUMBER Q14542B

ENGINE

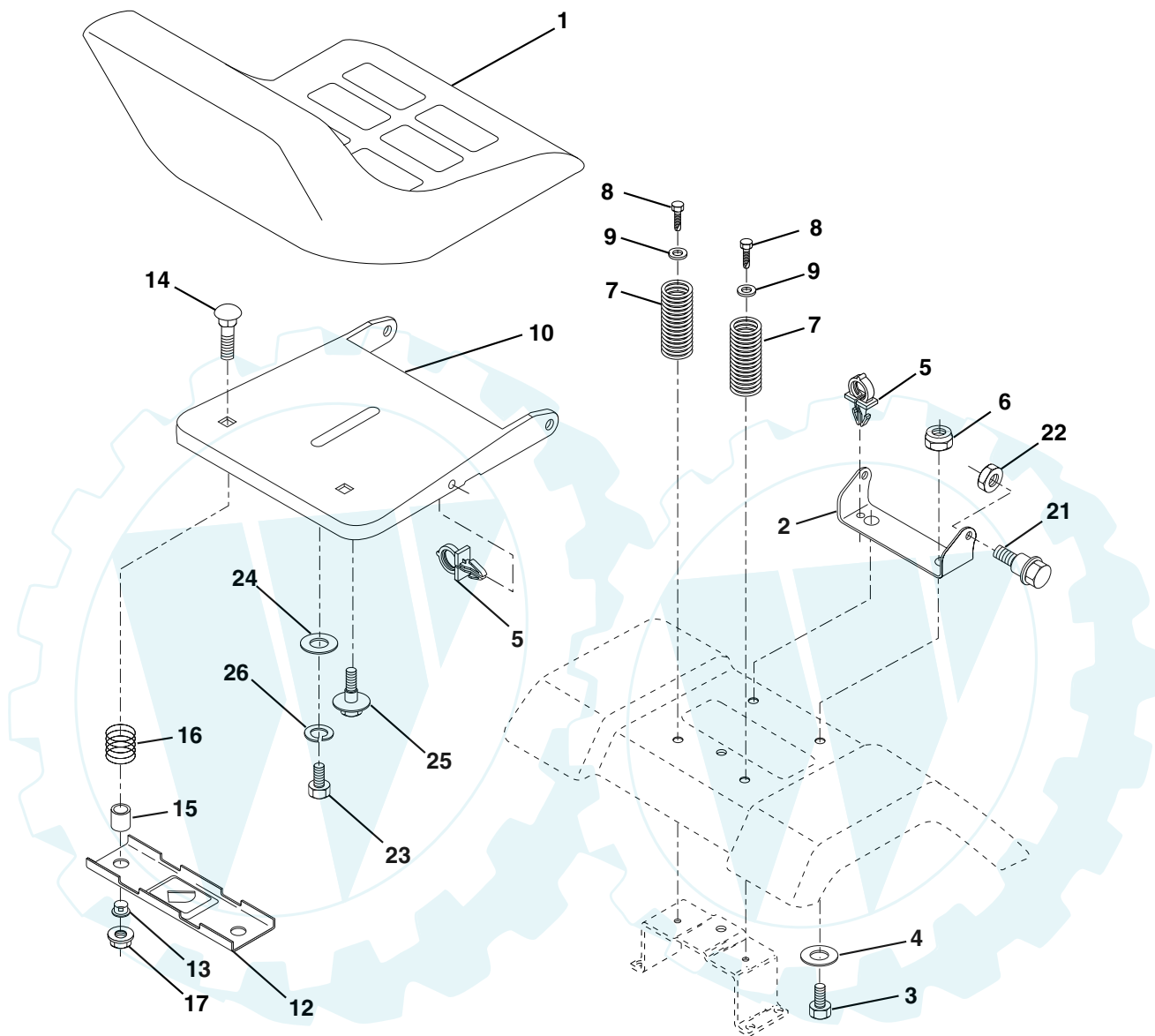
KEY NO.	PART NO.	DESCRIPTION
1	141295	Control Throt 35.5 Lh Flag
2	17720410	Screw Hex Thd Cut 1/4-20x5/8 T
3	-----	Engine Briggs Model 461707 (Order Parts from Engine Manufacturer)
4	149723	Muffler Exhaust
5	144069	Exhaust Asm. Left
6	144068	Exhaust Asm. Right
7	138129	Clamp Tube Double Engine
8	150176	Bolt 5/16-18unc x 3/4 w/sems
10	145552	Shield Heat
11	10040400	Wash Lock Hvy Hlcl spr 1/4
12	74780412	Bolt Fin Hex 1/4-20 x 3/4
13	165287	Gasket Muffler
14	13280336	Nipple Pipe 4-12"
15	13200300	Elbow Std 90 Degree 3/8-18 Npt
16	11050600	Washer Lock Ext Tooth 3/8
17	17490624	Screw Thdrol 3/8-16 x 1-1/2 Tytt
23	169837	Shield Brn/Dbr Guard
25	145996	Control Choke
26	73920600	Nut Keps 3/8-24 UNF
27	152927	Screw TT #10-32.5 3/8 Flange
29	137180	Arrestor Spark
31	161911	Tank Fuel Front 2.00
32	140527	Cap Fuel
33	123487X	Clamp Hose Blk
37	137040	Line Fuel
38	-----	Plug Oil Drain (Order from engine manufacturer)
40	124028X	Bushing Snap Nyl Blk Fuel Line
44	17670412	Screw Hex wsh Thdrol 1/4-20 x 3/4
45	17000612	Screw Hex Wsh Thdr 3/8-16 x 3/4
46	19091416	Washer 9/32 x 7/8 x 16 Ga.
81	73510400	Nut Keps Hex 1/4-20 Unc

NOTE: All component dimensions given in U.S. inches
1 inch = 25.4 mm

REPAIR PARTS

TRACTOR - - MODEL NUMBER Q14542B

SEAT ASSEMBLY



KEY NO.	PART NO.	DESCRIPTION
1	127427	Seat
2	140551	Bracket Pnt Pivot Seat (blk)
3	71110616	Bolt
4	19131610	Washer 13/32 x 1 x 10 Ga
5	145006	Clip Push-In Hinged
6	73800600	Nut
7	124181X	Spring Seat Cprsn 2 250 Blk Zi
8	17000616	Screw 3/8-16 x 1.5
9	19131614	Washer 13/32 x 1 x 14 Ga
10	155925	Pan Pnt Seat (blk)
12	121246X	Bracket Pnt Mounting Switch
13	121248X	Bushing Snap Blk Nyl 50 Id

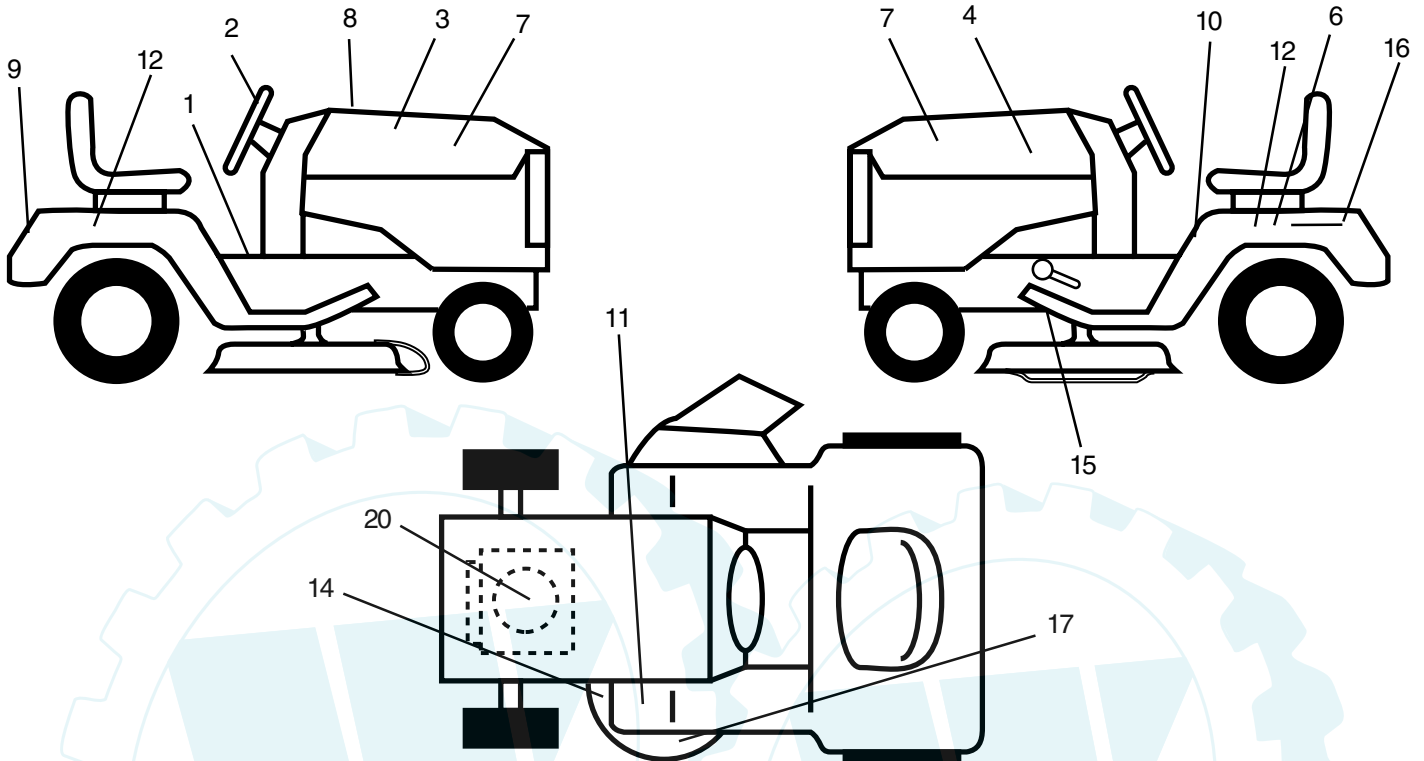
KEY NO.	PART NO.	DESCRIPTION
14	72050412	Bolt Rdhd Sht Nk 1/4-20 x 1-1/2
15	134300	Spacer Split 28 x 96 Yel Zinc
16	121250X	Spring Cprsn 1 27 Blk Pnt
17	123976X	Nut Lock 1/4 Lge Flg Gr 5 Zinc
21	171852	Bolt Shoulder 5/16-18 Unc Blkz-2A
22	73800500	Nut
23	71110814	Bolt Hex Blk
24	19171912	Washer 17/32 x 1-3/16 x 12 Ga
25	127018X	Bolt Shoulder 5/16-18 x 62
26	10040800	Lockwasher

NOTE: All component dimensions given in U.S. inches
1 inch = 25.4 mm

REPAIR PARTS

TRACTOR - - MODEL NUMBER Q14542B

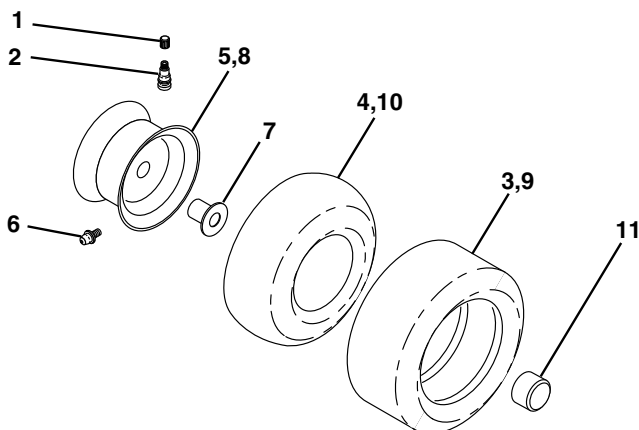
DECALS



KEY NO.	PART NO.	DESCRIPTION
1	156867	Decal Instruction Operat English
2	172375	Decal Ins Strg Wh
3	172368	Decal Hood Rh
4	172369	Decal Hood Lh
6	168427	Decal, Battery Power Pro
7	172376	Decal Panel Side
8	174213	Decal Replacement Parts
9	172372	Decal Fender Logo
10	157002	Decal Danger English
11	4900J	Decal Clutch/brake English

KEY NO.	PART NO.	DESCRIPTION
12	172373	Decal Fender
14	160396	Decal V-belt Schematic 42"
15	146046	Decal Schematic
16	145005	Decal Battery Danger/Poison
17	134999	Decal Deck Enviro
20	169552	Decal HP Engine
--	138311	Decal Lift Handle
--	131864	Pad Footrest
--	174214	Manual Owner's English

WHEELS & TIRES



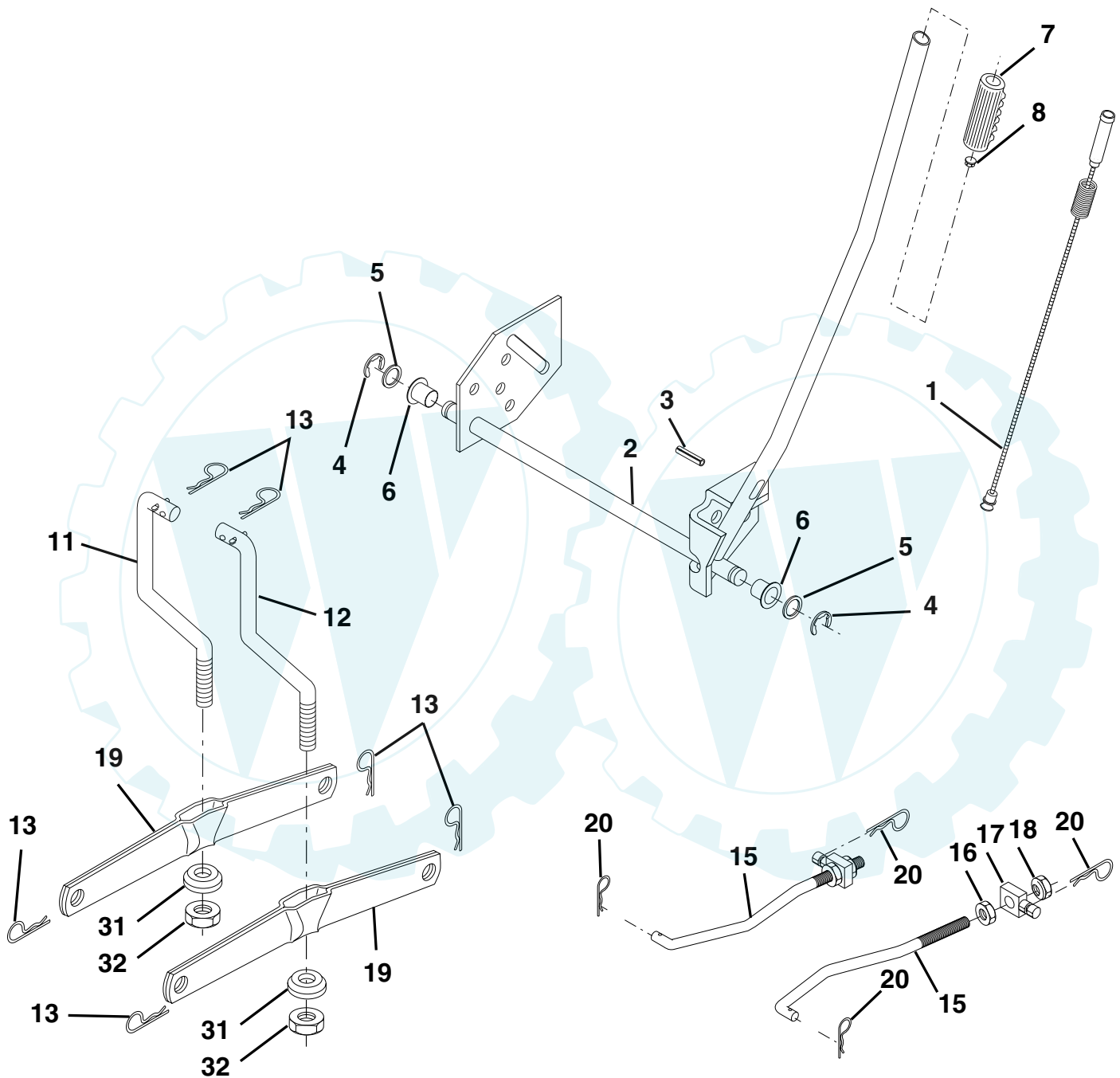
KEY NO.	PART NO.	DESCRIPTION
1	59192	Cap Valve Tire
2	65139	Stem Valve
3	106222X	Tire F Ts 15 X 6 0 - 6 Service
4	59904	Tube Front (Service Item Only)
5	106732X427	Rim Asm 6"front White Service
6	278H	Fitting Grease (Front Wheel Only)
7	9040H	Bearing Flange (Front Wheel Only)
8	106108X427	Rim Asm 8"rear White Service
9	106268X	Tire R Ts 18x9.5-8 C Service
10	7152J	Tube Rear (Service Item Only)
11	104757X	Cap Axle Blk 1 50 X 1 00
--	144334	Sealant, Tire (10 oz. Tube)

NOTE: All component dimensions given in U.S. inches
1 inch = 25.4 mm

REPAIR PARTS

TRACTOR - - MODEL NUMBER Q14542B

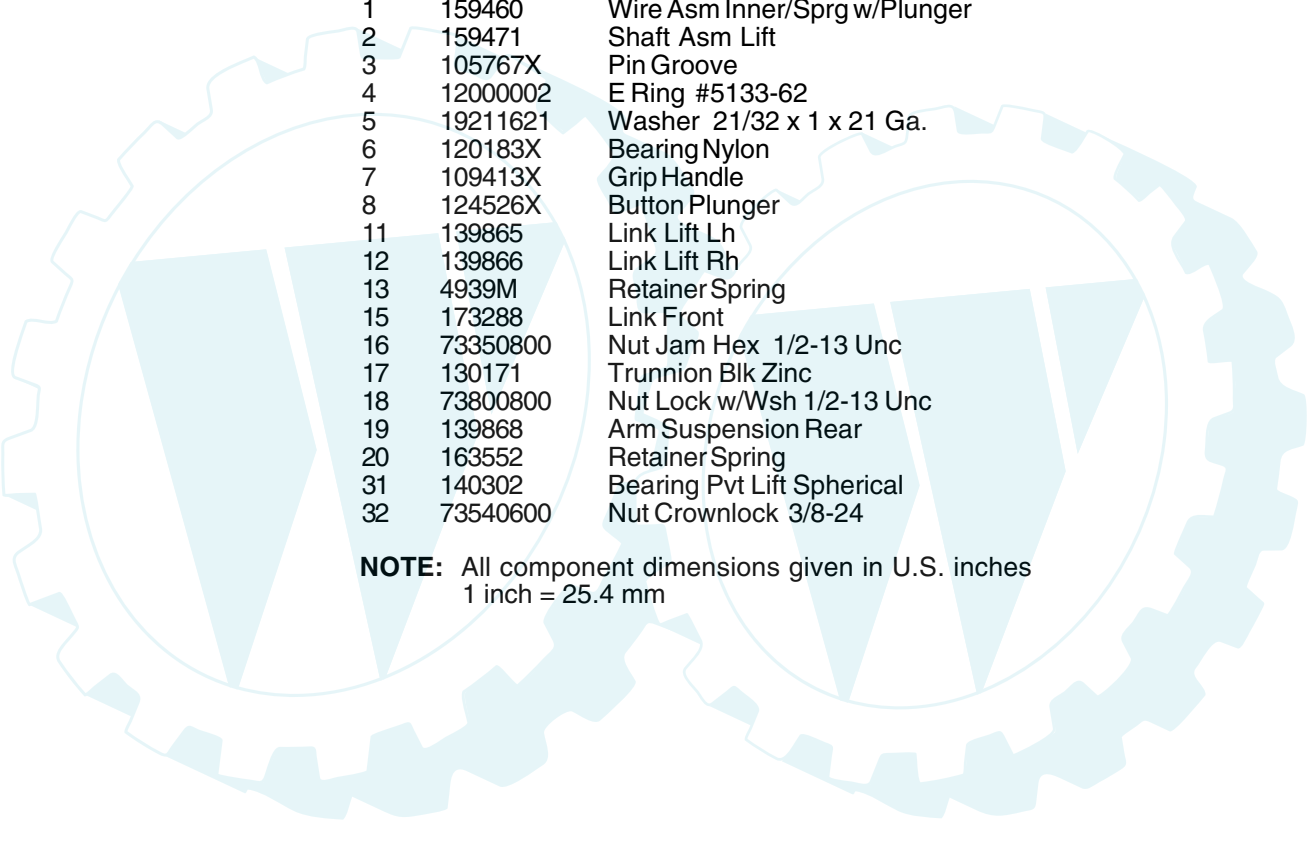
MOWER LIFT



REPAIR PARTS

TRACTOR - - MODEL NUMBER Q14542B

MOWER LIFT

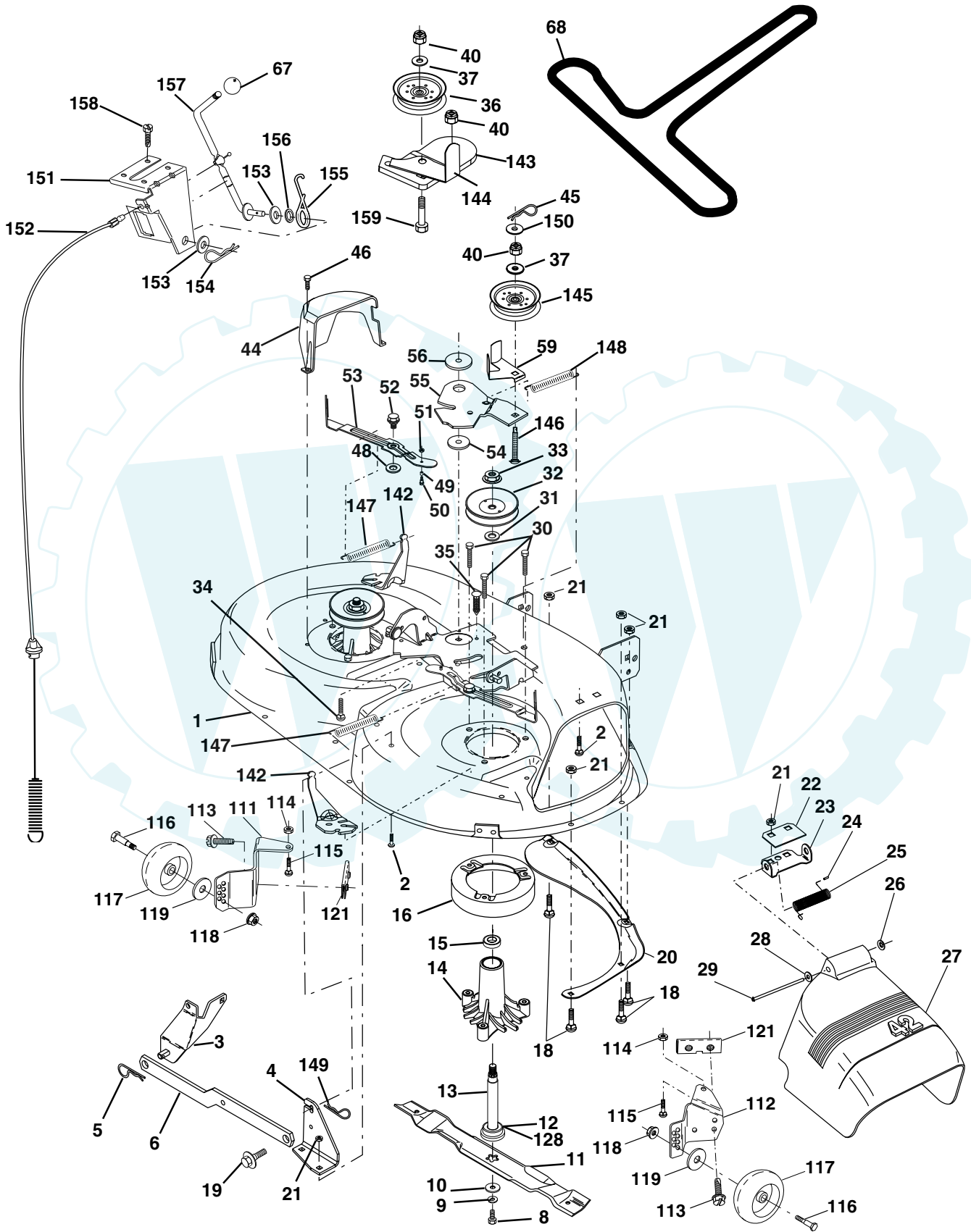


KEY NO.	PART NO.	DESCRIPTION
1	159460	Wire Asm Inner/Sprg w/Plunger
2	159471	Shaft Asm Lift
3	105767X	Pin Groove
4	12000002	E Ring #5133-62
5	19211621	Washer 21/32 x 1 x 21 Ga.
6	120183X	Bearing Nylon
7	109413X	Grip Handle
8	124526X	Button Plunger
11	139865	Link Lift Lh
12	139866	Link Lift Rh
13	4939M	Retainer Spring
15	173288	Link Front
16	73350800	Nut Jam Hex 1/2-13 Unc
17	130171	Trunnion Blk Zinc
18	73800800	Nut Lock w/Wsh 1/2-13 Unc
19	139868	Arm Suspension Rear
20	163552	Retainer Spring
31	140302	Bearing Pvt Lift Spherical
32	73540600	Nut Crownlock 3/8-24

NOTE: All component dimensions given in U.S. inches
1 inch = 25.4 mm

TRACTOR - - MODEL NUMBER Q14542B

MOWER DECK



TRACTOR - - MODEL NUMBER Q14542B

MOWER DECK

KEY NO.	PART NO.	DESCRIPTION	KEY NO.	PART NO.	DESCRIPTION
1	165892	Mower Deck Assembly, 42"	53	131845	Arm Assembly, Pad, Brake
2	72140506	Bolt	54	133943	Washer, Hardened
3	138017	Bracket Asm Fr. Sway Bar 3/42	55	155046	Arm, Idler
4	165460	Bracket Asm Deck 42" Sway Bar	56	165723	Spacer, Retainer
5	4939M	Retainer Spring	59	141043	Guard TUV Idler
6	130832	Arm, Suspension, Rear	67	106932X	Knob
8	850857	Bolt 3/8-24 x 25 Grade 8 patched	68	144959	V-Belt, 42" Mower
9	10030600	Washer, Lock	111	155197	Bracket, Gauge, Wheel LH
10	140296	Washer, Hardened	112	155198	Bracket, Gauge, Wheel RH
11	138498	Blade	113	17060512	Screw 5/16 - 18 x 3/4
12	129895	Bearing, Ball #6204	114	73510500	Nut, Keps 5/16 - 18 UNC
13	137645	Shaft Assembly, Mandrel, Vented	115	72110504	Bolt, Carriage 5/16-18 x 1/2
14	128774	Housing, Mandrel, Vented	116	4898H	Bolt, Shoulder
15	110485X	Bearing, Ball, Mandrel	117	165746	Wheel, Gauge
16	140329	Stripper, Vented Mower Deck	118	73930600	Nut Centerlock 3/8-16
18	72140505	Bolt, Carriage 5/16-18 x 5/8	119	19121414	Washer 3/8 x 7/8 x 14 Ga.
19	132827	Bolt, Shoulder	121	143723	Bracket, Extruded
20	159770	Baffle, Vortex	128	153390	Washer, Felt
21	73680500	Nut	142	165890	Arm Spring Brake Mower
22	134753	Stiffener Bracket	143	157109	Bracket Arm Idler 42"
23	131267	Bracket, Deflector Mower 42"	144	158634	Keeper Belt 42" Clutch Cable
24	105304X	Cap, Sleeve 80 x 112 Blk Mower	145	165888	Pulley Idler Flat
25	123713X	Spring, Torsion, Deflector 2 52	146	165891	Bolt Carriage Idler
26	110452X	Nut, Push Phos & Oil	147	131335	Spring Extension
27	130968X428	Shield, Deflector 42" Blk	148	169022	Spring Return Idler
28	19111016	Washer 11/32 x 5/8 x 16 Gauge	149	165898	Retainer Spring Yellow
29	131491	Rod, Hinge 42" 6 75 W/G	150	19091216	Washer 9/32 x 3/4 x 16 Ga.
30	157722	Screw Thdrol Washer Head	151	169670	Bracket Clutch Cable
31	129963	Washer, Spacer Mower Vented	152	169676	Clutch Cable 42"
32	153535	Pulley, Mandrel	153	169674	Washer Flat 3/8" Type B
33	137266	Nut, Toplock 9/16	154	169675	Spring Retainer
34	72110614	Bolt	155	169671	Spring Retention LVR CLTCH CAB
35	133835	Fastener, Christmas Tree	156	169672	Spacer Clutch Cable
36	131494	Pulley, Idler, Flat	157	169669	Rod Clutch Cable 3/8"
37	19131316	Washer 13/32 x 13/16 x 16 Gauge	158	17720410	Screw Hex Thd Cut 1/4-20 x 5/8
40	73680600	Nut	159	72140614	Bolt Rdhd Sqn 3/8-16 UNC x 1-3/4
44	140088	Guard, Mandrel, LH	--	130794	Mandrel Assembly (Includes Key Numbers 8-10, 12-15, 31 and 33)
45	4497H	Retainer	--	171491	Mower Deck, Complete (Standard Deck - Order separately mulcher plate and gauge wheel components Key Nos. 101-106, and 111-121)
46	137729	Screw, Thdrol 1/4-20 x 5/8 T			
48	133944	Washer, Hardened			
49	155066	Roller Assembly, Cam Follower			
50	131340	Bolt, Shoulder #10-24 Grade 5			
51	69180	Locknut			
52	139888	Bolt, Shoulder 5/16-18 UNC			

NOTE: All component dimensions given in U.S. inches
1 inch = 25.4 mm