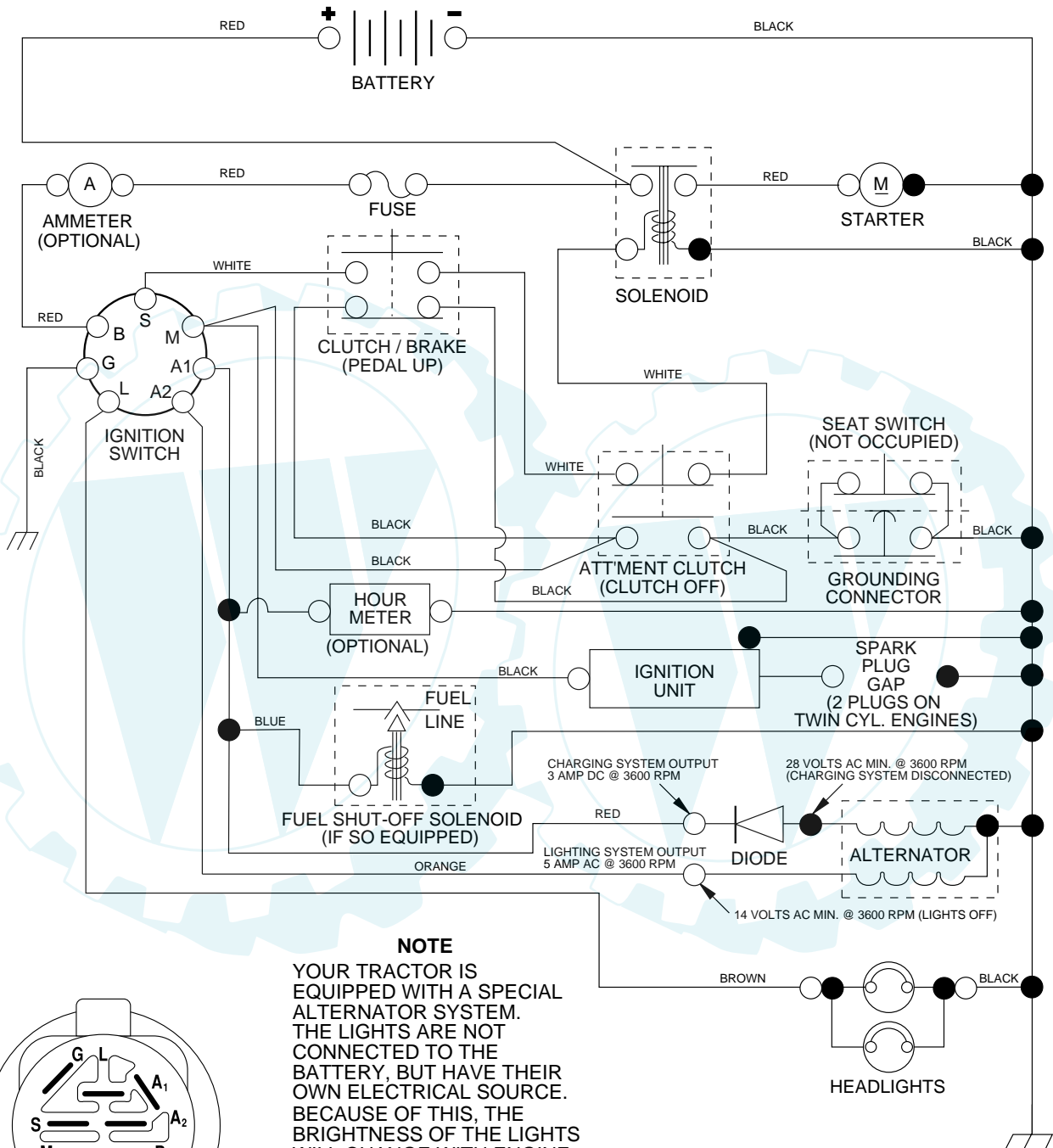


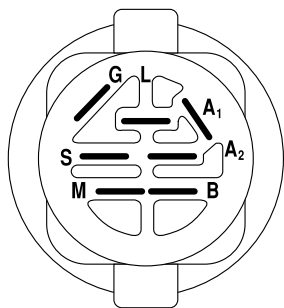
TRACTOR - - MODEL NUMBER Q12538A

SCHEMATIC



NOTE

YOUR TRACTOR IS EQUIPPED WITH A SPECIAL ALTERNATOR SYSTEM. THE LIGHTS ARE NOT CONNECTED TO THE BATTERY, BUT HAVE THEIR OWN ELECTRICAL SOURCE. BECAUSE OF THIS, THE BRIGHTNESS OF THE LIGHTS WILL CHANGE WITH ENGINE SPEED. AT IDLE THE LIGHTS WILL DIM. AS THE ENGINE IS SPEEDED UP, THE LIGHTS WILL BECOME THEIR BRIGHTEST.



IGNITION SWITCH

POSITION	CIRCUIT	"MAKE"
OFF	M+G+A1	NONE
RUN/LIGHT	B+A1	A2+L
RUN	B+A1	NONE
START	B + S + A1	NONE

WIRING INSULATED CLIPS

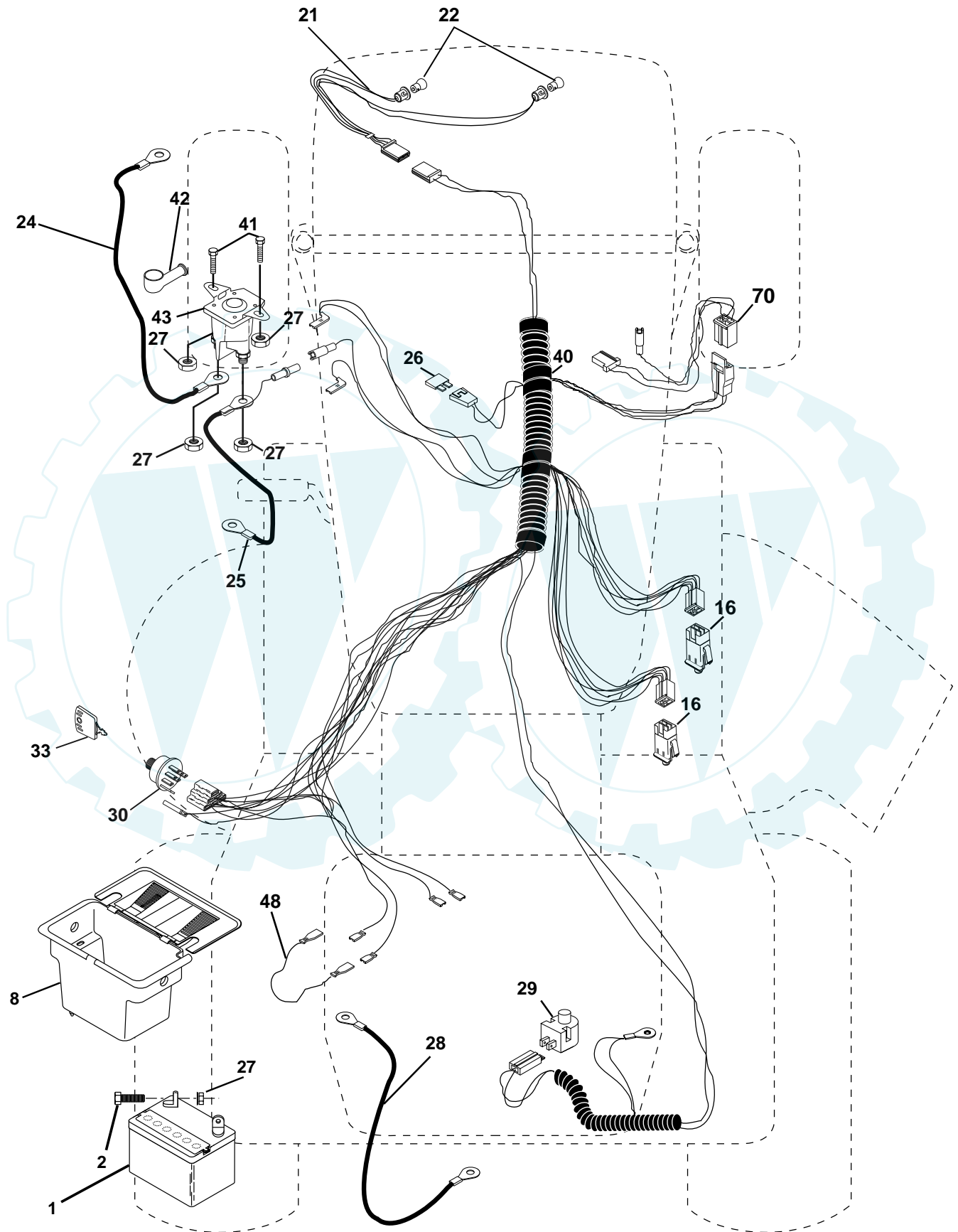
NOTE: IF WIRING INSULATED CLIPS WERE REMOVED FOR SERVICING OF UNIT, THEY SHOULD BE REPLACED TO PROPERLY SECURE YOUR WIRING.

REPAIR PARTS

www.ersatzteil-service.de

TRACTOR - - MODEL NUMBER Q12538A

ELECTRICAL



TRACTOR - - MODEL NUMBER Q12538A

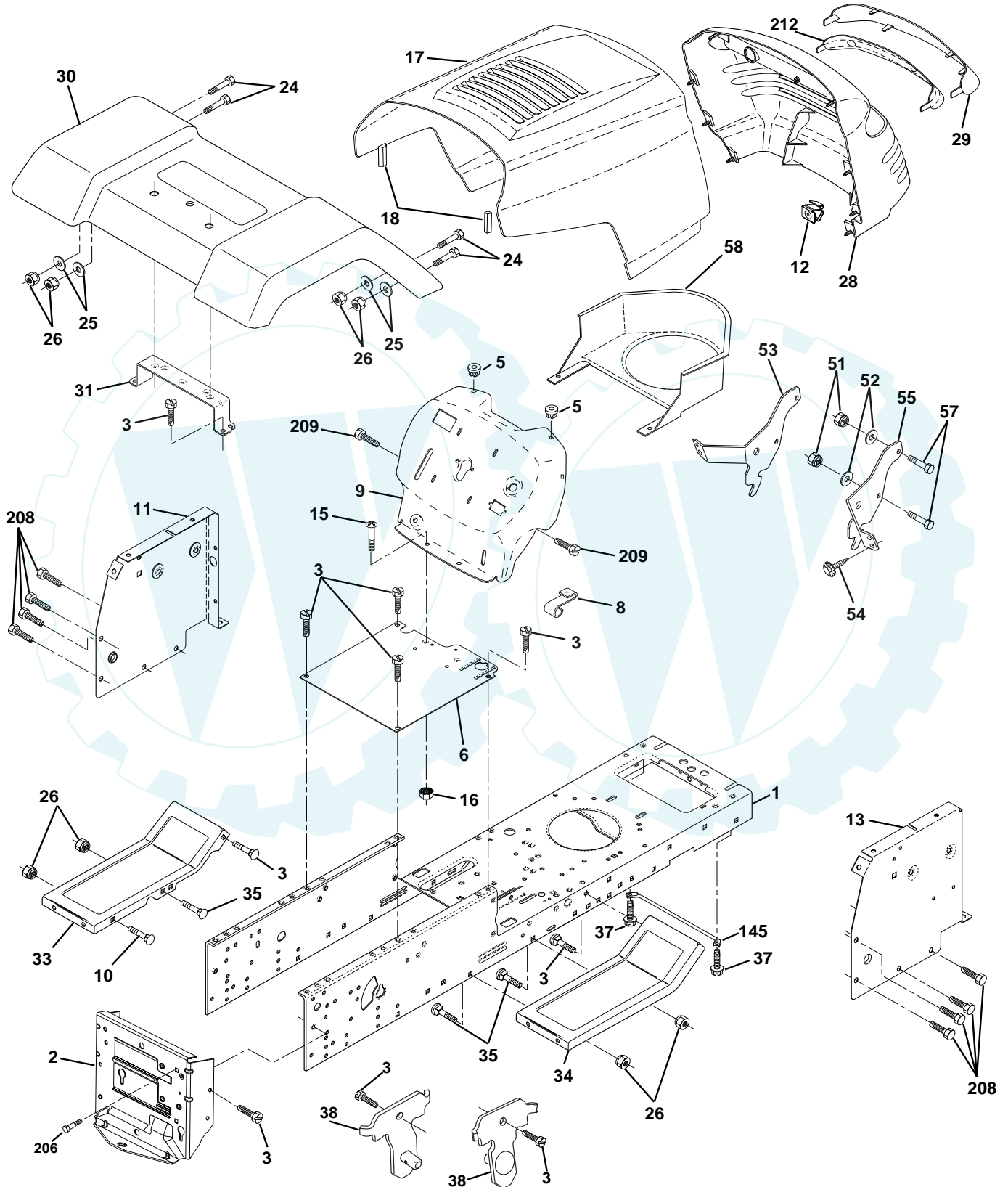
ELECTRICAL

KEY NO.	PART NO.	DESCRIPTION
1	144925	Battery 12 Volt 25 Amp
2	74760412	Bolt Hex Hd 1/4-20unc X 3/4
8	156417	Case Battery Mech Hiinge
16	153664	Switch Interlock Push-In
21	166181	Harness Asm Light W/4152j
22	4152J	Bulb Light #1156
24	4799J	Cable Battery 6 Ga 11"red
25	146147	Cable Battery
26	166180	Fuse 15 AMP
27	73510400	Nut Keps Hex 1/4-20 Unc
28	4207J	Cable Ground 6 Ga 12"black
29	121305X	Switch Plunger Nc Gray
30	163968	Switch Ign
33	140403	Key Ign
40	170217	Harness Ign
41	71110408	Bolt Blk Fin Hex 1/4-20
42	131563	Cover Terminal Red
43	145673	Solenoid
48	140844	Adapter Ammeter
52	141940	Protection Wire Loop
70	170242	Harness Eng Briggs

NOTE: All component dimensions given in U. S. inches 1 inch = 25.4 mm.

TRACTOR - - MODEL NUMBER Q12538A

CHASSIS



TRACTOR - - MODEL NUMBER Q12538A

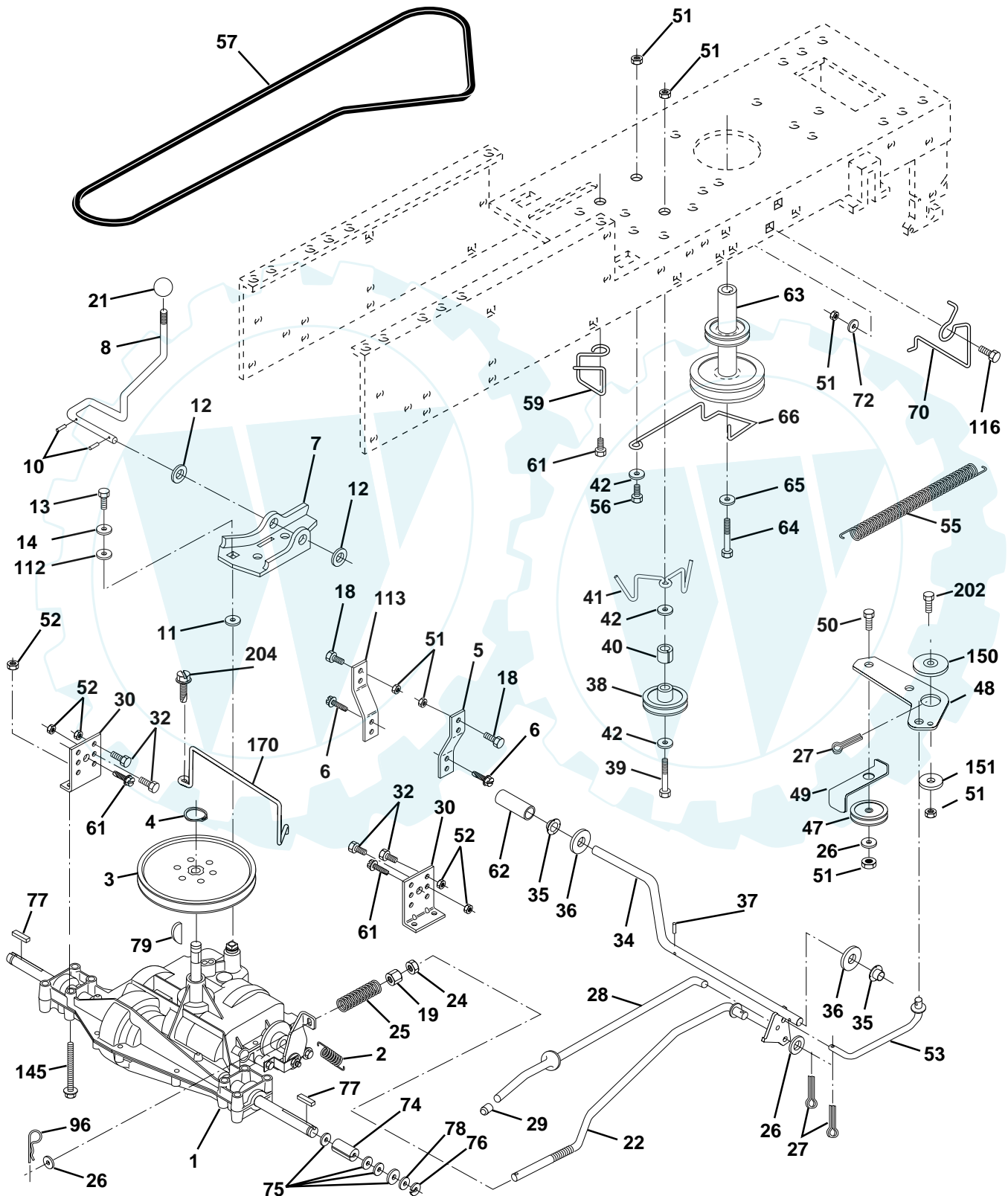
CHASSIS

KEY NO.	PART NO.	DESCRIPTION
1	169831	Chassis
2	169061	Drawbar, Stretch
3	17060612	Screw 3/8-16 x 3/4
4	19131216	Washer 13/32 X 3/4 X 16 Ga.
5	155272	Bumper, Hood/Dash
6	155924X011	Saddle Silkscreen Flt Sdl
8	155138	Clip Retainer Slide-On
9	168347X011	Dash
10	72140608	Bolt, Carriage 3/8-16 x 1
11	155927	Panel Dash LH
12	145660	Clip Tinnerman Grille P.L
13	172107X010	Panel Silkscr Dash RH
14	17490608	Screw Thdrol 3/8-16x1/2 Ty-tt
15	74180512	Screw Mach TRHD 5/16-18uncx3/4
16	73510500	Nut Keps 5/16-18 Unc
17	159639X602	Hood
18	126938X	Bumper Hood
24	74780616	Bolt Fin Hex 3/8-16unc X 1 Gr. 5
25	19131312	Washer 13/32 X 13/16 X 12 Ga
26	73800600	Nut Lock Hex w/Ins 3/8-16 Unc
28	157373	Grille P.L Ms 428
29	140273X599	Lens Grille Private Label
30	169465X602	Fender
31	136619	Bracket Fender Repl 109873x
33	105476X602	Footrest Pnt LH Perf
34	105475X602	Footrest Pnt RH Perf
35	72110606	Bolt Rdhd Sht Sqnk 3/8-16 X3/4
37	17490508	Screw Thdrol 5/16-18 x 1/2 TYT
38	169834	Bracket Asm. Pivot Mower Rear
51	73800400	Nut Lock W/Insert 1/4-20unc
52	19091416	Washer 9/32 x 7/8x16 Ga.
53	144697	Bracket Grille Lh
54	161464	Screw Hex 8-18 x 7/8
55	144696	Bracket Grille Rh
57	74780412	Bolt Fin Hex 1/4-20 unc x .75
58	150127	Duct Air Engine PL/LT
145	156524	Rod Pivot Chassis/Hood
206	170165	Bolt Shoulder 5/16-18
208	17670608	Screw Thdrol 3/8-16 x 1/2
209	17000612	Screw Hex Wsh Thdrol 3/8-16
---	5479J	Plug Button Blk 359 Dia Choke

NOTE: All component dimensions given in U.S. inches
1 inch = 25.4 mm.

TRACTOR - - MODEL NUMBER Q12538A

DRIVE



TRACTOR - - MODEL NUMBER Q12538A

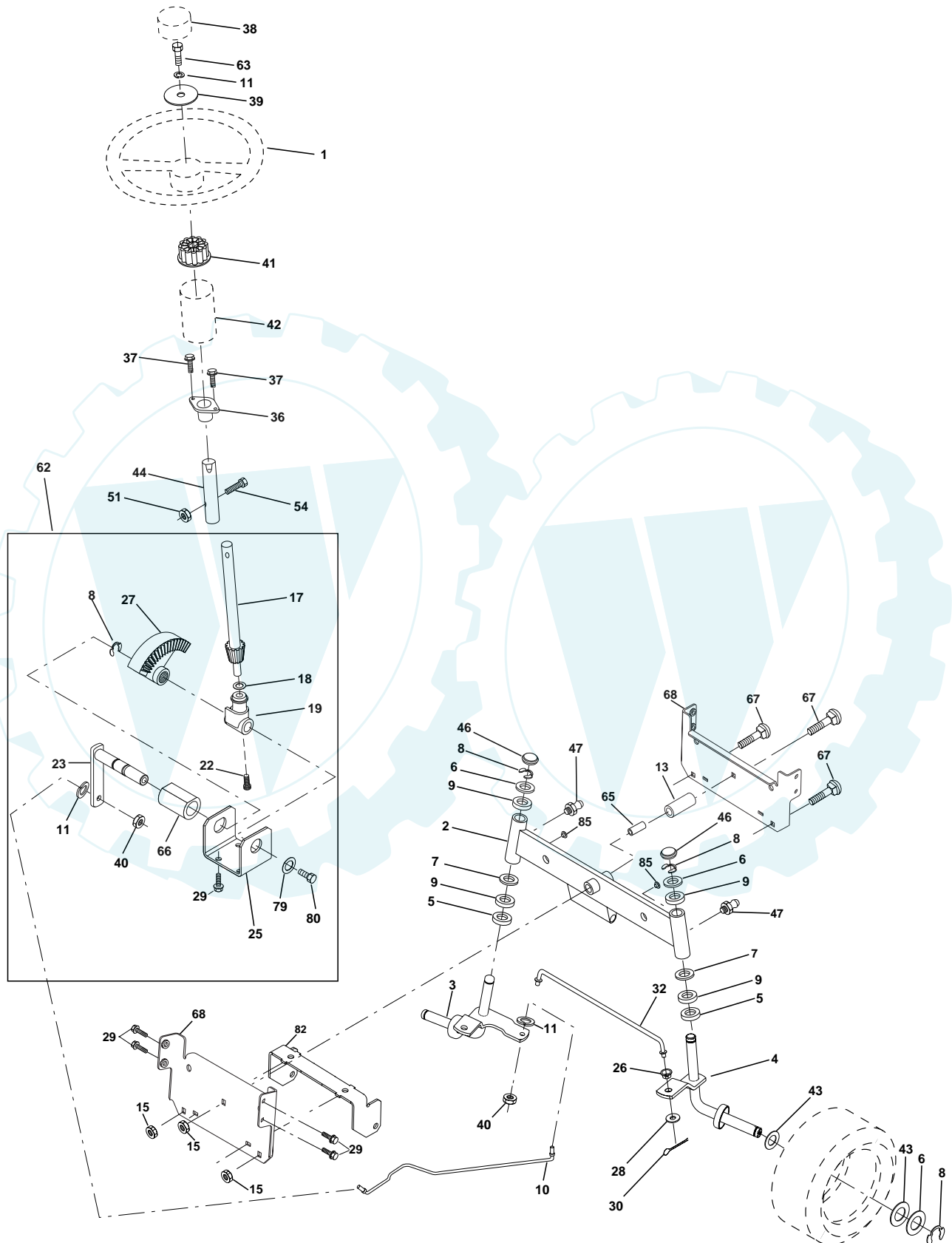
DRIVE

KEY NO.	PART NO.	DESCRIPTION	KEY NO.	PART NO.	DESCRIPTION
1	-----	Transaxle Peerless Model 205-544c (Order parts from transaxle manufacturer)	48	154407	Bellcrank Clutch Grnd Drv STL
2	146682	Spring Return Brake	49	123205X	Retainer Belt Style Spring
3	123666X	Pulley Transaxle 18"tires	50	74760624	Bolt Hex Hd 3/8-16unc X 1-1/2
4	12000028	Ring Retainer #5100-62	51	73680600	Nut Crownlock 3/8-16 Unc
5	121520X	Strap Torque 30 Degrees RH	52	73680500	Nut Crownlock 5/16-18 unc
6	17060512	Screw 5/16-18 x 3/4	53	105710X	Link Clutch 7 66
7	162240	Plate Rod Shift T/a	55	105709X	Spring Return Clutch 6 75
8	131679	Rod Shifter Blk	56	74760620	Bolt Fin Hex 3/8 X 16 x 1-1/4
10	76020416	Pin Cotter 1/8 X 1 Cad	57	130801	V-Belt Ground Drive 95
11	105701X	Washer Plate Shf 388 Sq Hole	58	127274X	Keeper Belt RH LT Pnt/zinc 16g
12	19151216	Washer 15/32 X 3/4 X 16 Ga	59	140312	Keeper Belt Chassis Span Ctr
13	74550412	Bolt 1/4-28 unF Gr. 8 w/Patch	61	17060612	Screw 3/8-16 x 3/4
14	10040400	Washer Lock Hvy Helical 1/4	62	8883R	Cover Pedal Blk Round
18	74780616	Bolt Fin Hex 3/8-16unc X 1 Gr. 5	63	140186	Engine Pulley LT/YT
19	73800600	Nut lock Hex w/lns 3/8-16 Unc	64	71170764	Bolt Hex 7/16-20x4 Gr 5
21	106933X	Knob Rd 1/2-13 Plstc Thds Blk	65	10040700	Washer Lock Hvy Hlcl Spr 7/16
22	130804	Rod Brake LT	66	154778	Keeper Belt Engine
24	73350600	Nut Hex Jam 3/8-16 Unc	70	134683	Guide Belt Mower Drive RH
25	106888X	Spring Rod Brake 2 00 Zinc	72	19132012	Washer 13/32 X 1-1/4 X 12 Ga
26	19131316	Washer 13/32 X 13/16 X 16 Ga	74	137057	Spacer Axle
27	76020412	Pin Cotter 1/8 X 3/4 Cad	75	121749X	Washer 25/32 X 1 1/4 X 16 Ga
28	145204	Rod Brake Parking LT/YT	76	12000001	E-ring#5133-75
29	71673	Cap Brake Parking Black	77	123583X	Key Square 2 0 X 1845/ 1865
30	130807	Bracket Transmission	78	121748X	Washer 25/32 X 1-5/8 X 16 Ga
32	74760512	Bolt Fin Hex 5/16-18 x 3/4	79	2228M	Key Woodruff
34	155071	Shaft Asm Pedal Foot	96	4497H	Retainer Spring 1"
35	120183X	Bearing Nylon Blk 629 Id	112	19091210	Washer 9/32 X 3/4 X 10 Ga
36	19211616	Washer 21/32 X 1 X 16 Ga	113	127285X	Strap Torque 90 Degrees LH
37	1572H	Pin Roll 3/16 X 1"	116	72110610	Bolt Rdhd Sq Neck 3/8-16 x 1.25
38	131494	Pulley Idler Flat	145	74490540	Bolt Hex Flg.Hd. 5/16-18 x Gr.5
39	72110622	Bolt Rdhd 3/8-16 Unc x 2-3/4 Gr.5	150	165850	Bushing Bellcrank
40	4470J	Spacer Split 395 X 59 Bzp	151	19133210	Washer 13/32 x 2 x 10 Ga.
41	165838	Keeper Belt Idler	202	72110612	Bolt Carr Sh 3/8-16 x 1-1/2 Gr.5
42	19131312	Washer 13/32 X 13/16 X 12 Ga	204	17060516	Screw 5/16-18 x 1
47	127783	Pulley Idler V Groove Plastic			

NOTE: All component dimensions given in U.S. inches
1 inch = 25.4 mm

TRACTOR - - MODEL NUMBER Q12538A

STEERING



TRACTOR - - MODEL NUMBER Q12538A

STEERING

KEY NO.	PART NO.	DESCRIPTION
1	140044	Wheel Steering Ayp/P/L Blk
2	154427	Axle Asm
3	156483	Spindle Asm LH
4	157473	Spindle Asm RH
5	6266H	Bearing Race Thrust Harden
6	121748X	Washer 25/32 X 1-5/8 X 16 Ga
7	19272016	Washer 27/32 X 1-1/4 X 16 Ga
8	12000029	Ring Klip #t5304-75
9	3366R	Bearing Col Strg Blk
10	169832	Link Drag
11	10040600	Washer Lock Hvy Hlcl Spr 3/8
13	136518	Spacer earing Axle Front
15	145212	Hexflange Lock
17	156546	Shaft Asm Strg
18	57079	Washer Thrust 515x 750x 033
19	160395	Support Shaft
22	165857	Screw Hex Wsh Hd Torx
23	165851	Shaft Asm Pittman
25	154406	Bracket Steering
26	126847X	Bushing Link Drag Blk LR
27	136874	Gear Sector
28	19131416	Washer 13/32 X 7/8 X 16 Ga
29	17060612	Screw 3/8-16 x 3/4
30	76020412	Pin Cotter 1/8 X 3/4 Cad
32	130465	Rod Tie Wire Form 19 75 Mech
36	155099	Bushing Strg 5/8 Id Dash
37	152927	Screw
38	140045	Cap Wheel Steer Ayp
40	7810H	Nut Lock Center 3/8-24un
41	100711L	Adaptor Wheel Strg
42	145054X428	Boot Dash Mtl Steering Blk
43	121749X	Washer 25/32 X 1 1/4 X 16 Ga
44	153720	Extension Steering
46	121232X	Cap Spindle Fr Top Blk
47	6855M	Fitting Grease
51	73800500	Nut Lock Hex W/Ins 5/16-18
54	74780520	Bolt Fin Hex 3/8-16unc x 1-1/4
62	167902	Kit Steering Assembly Service
63	74780616	Bolt Fin Hex 3/8-16unc x 1 Gr.5
65	160367	Spacer Brace Axle
66	154404	Bearing Arm Pittman
67	72140618	Bolt Fin Hex 5/8-11 unc x 2-3/4
68	169827	Brace Axle
79	19132012	Washer 13/32 x 1 1/4 x 12 Ga.
80	74950612	Bolt Hex 3/8-16 x 3/4
82	169835	Bracket Susp Chassis Front
85	133835	Fastener Christmas Tree

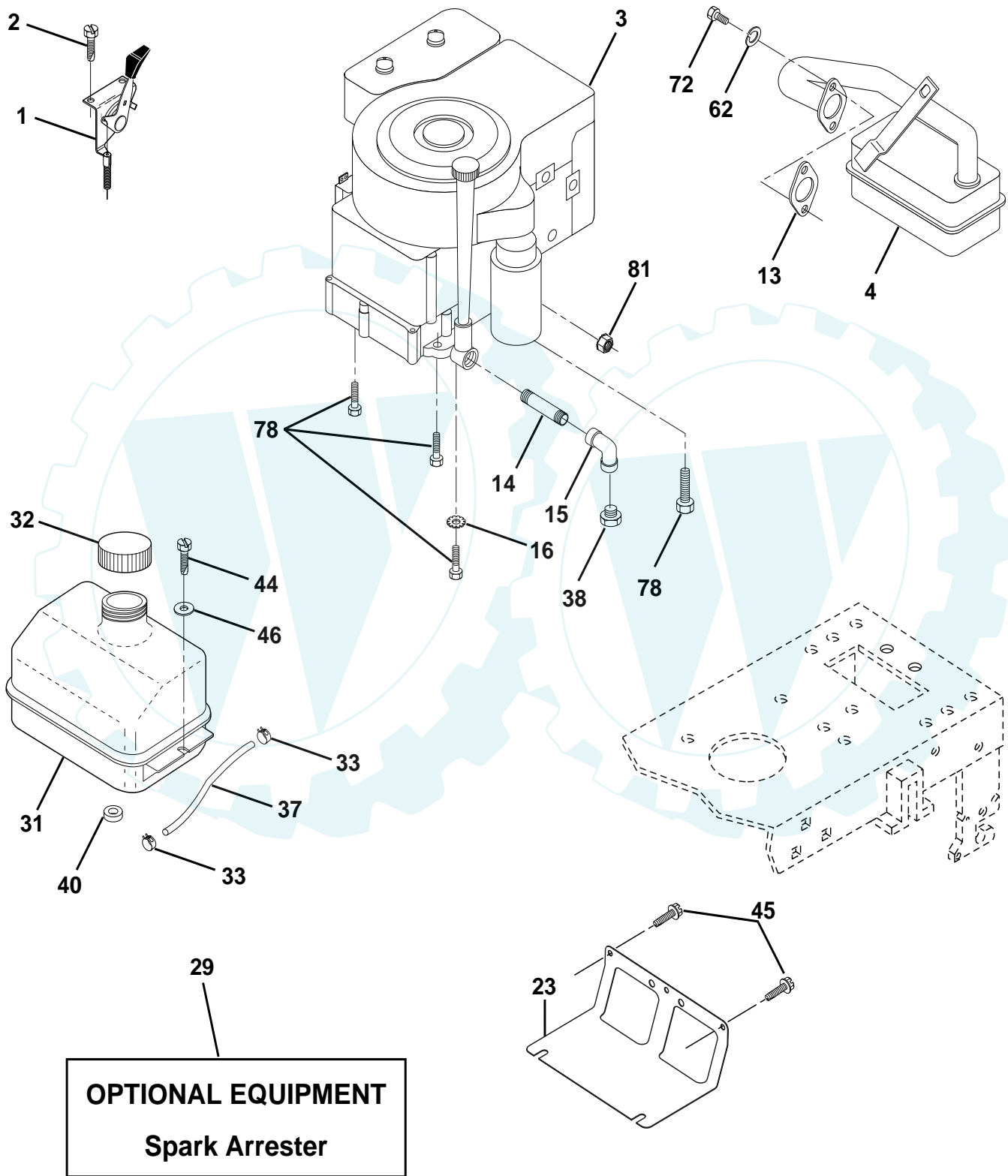
NOTE: All component dimensions given in U.S. inches
1 inch = 25.4 mm.

REPAIR PARTS

www.ersatzteil-service.de

TRACTOR - - MODEL NUMBER Q12538A

ENGINE



TRACTOR - - MODEL NUMBER Q12538A

ENGINE

KEY NO.	PART NO.	DESCRIPTION
1	140310	Control Th/ch Flag
2	17720410	Screw Hex Thd Cut 1/4-20x5/8 T
3	-----	Engine, B&S 289707 (Order parts from engine manufacturer)
4	137348	Muffler Exhaust B&S Lc
13	165291	Gasket Eng 1 313 Id Tin Plated
14	13280324	Nipple Pipe 3/8 Npt X 3"
15	13200300	Elbow Std 90 Degree 3/8-18 Npt
16	11050600	Washer Lock Ext Tooth 3/8
23	169837	Shield BRN/DBR Guard
29	137180	Kit Spark Arrestor (Flat Scrn)
31	109202X	Tank Fuel Front
32	140527	Cap Asm Fuel
33	123487X	Clamp Hose
37	137040	Line Fuel 20"
38	-----	Oil Drain Plug (Order From Engine Manufacturer)
40	124028X	Bushing Snap Nyl Blk Fuel Line
44	17490412	Screw Thdrol 1/4-20 x 3/4
45	17000612	Screw Hex Wsh Thdrol 3/8-16
46	19091416	Washer 9/32 X 7/8 X 16 Ga
62	10040500	Washer Lock Hvy Hlcl Spr
72	71070510	Screw Hexcap 5/16-18 x 5/8
78	17060620	Screw 3/8-16 x 1-1/4
81	73510400	Nut Keps Hex 1/4-20 Unc

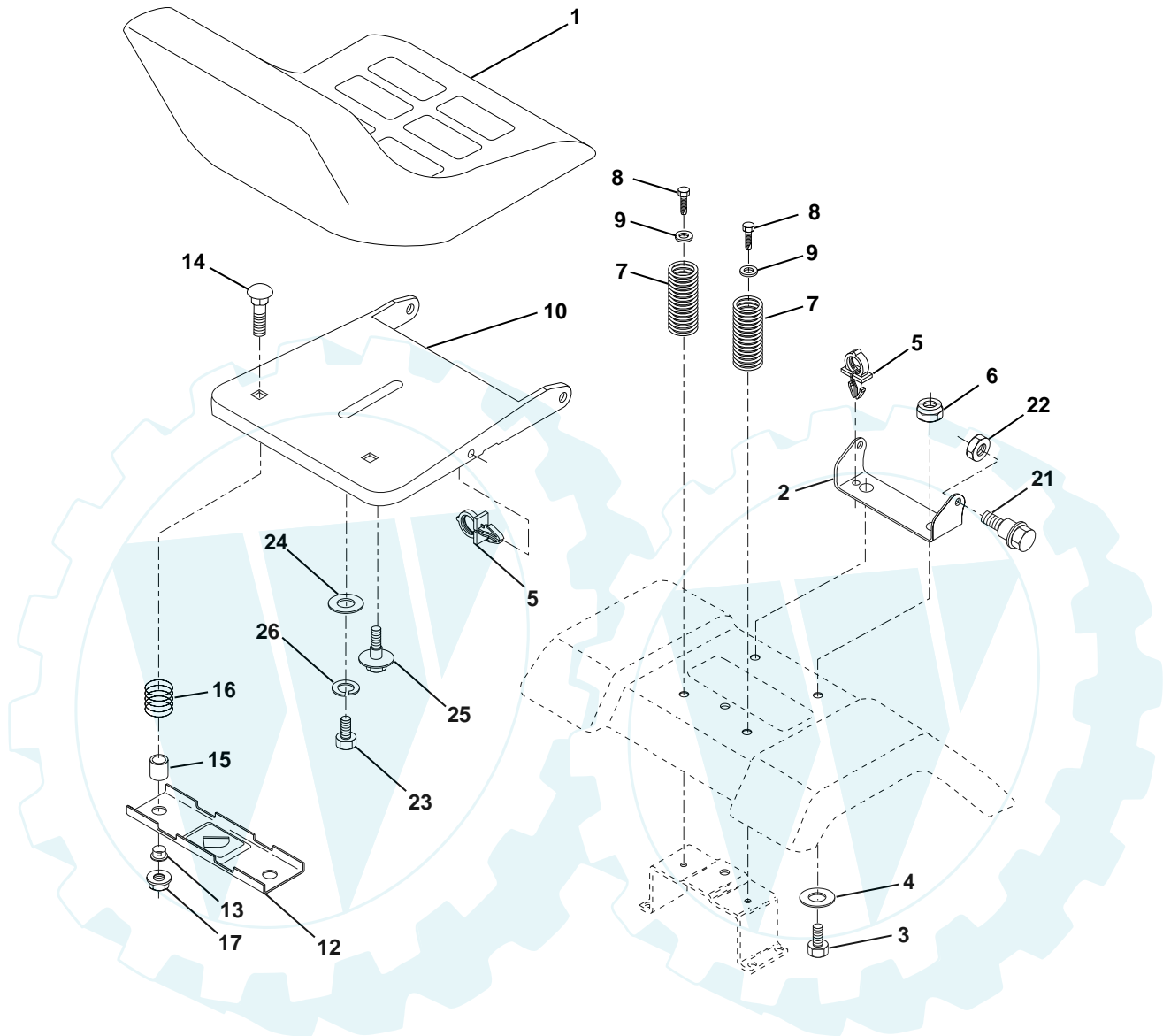
NOTE: All component dimensions given in U.S. inches
1 inch = 25.4 mm

REPAIR PARTS

www.ersatzteil-service.de

TRACTOR - - MODEL NUMBER Q12538A

SEAT



KEY NO.	PART NO.	DESCRIPTION
1	127427	Seat
2	140551	Bracket Seat Pivot
3	71110616	Bolt Hex 3/8 - 16 X 1
4	19131610	Washer 13/32 X 1 X10Ga.
5	145006	Clip Push-In Hinged
6	73800600	Nut Lock Hex w/Ins 3/8 - 16
7	124181X	Spring Seat Cprsn 2 250 Blk Zi
8	17000616	Screw 3/8-16 x 1.5
9	19131614	Washer 13/32 X 1 X 14 Ga
10	155925	Pan Pnt Seat (Blk)
12	121246X	Bracket Pnt Mounting Switch
13	121248X	Bushing Snap Blk Nyl

KEY NO.	PART NO.	DESCRIPTION
14	72050412	Bolt Rdhd Sht Nk 1/4 - 20 X 1 -1/2
15	134300	Spacer Split .28 X .96
16	121250X	Spring Cprsn
17	123976X	Nut Lock 1/4 Lge Flg
21	171852	Bolt Shoulder 5/16-18 Unc-2A
22	73800500	Nut Lock Hex w/Ins 5/16 - 18
23	74780814	Bolt Fin Hex 1/2-13 X 7/8 Gr. 5
24	19171912	Washer 17/32 X 1-3/16 X 12 Ga
25	127018X	Bolt Shoulder 5/16-18 X .62
26	10040800	Washer Lock Hvy Hlcl Spr 1/2

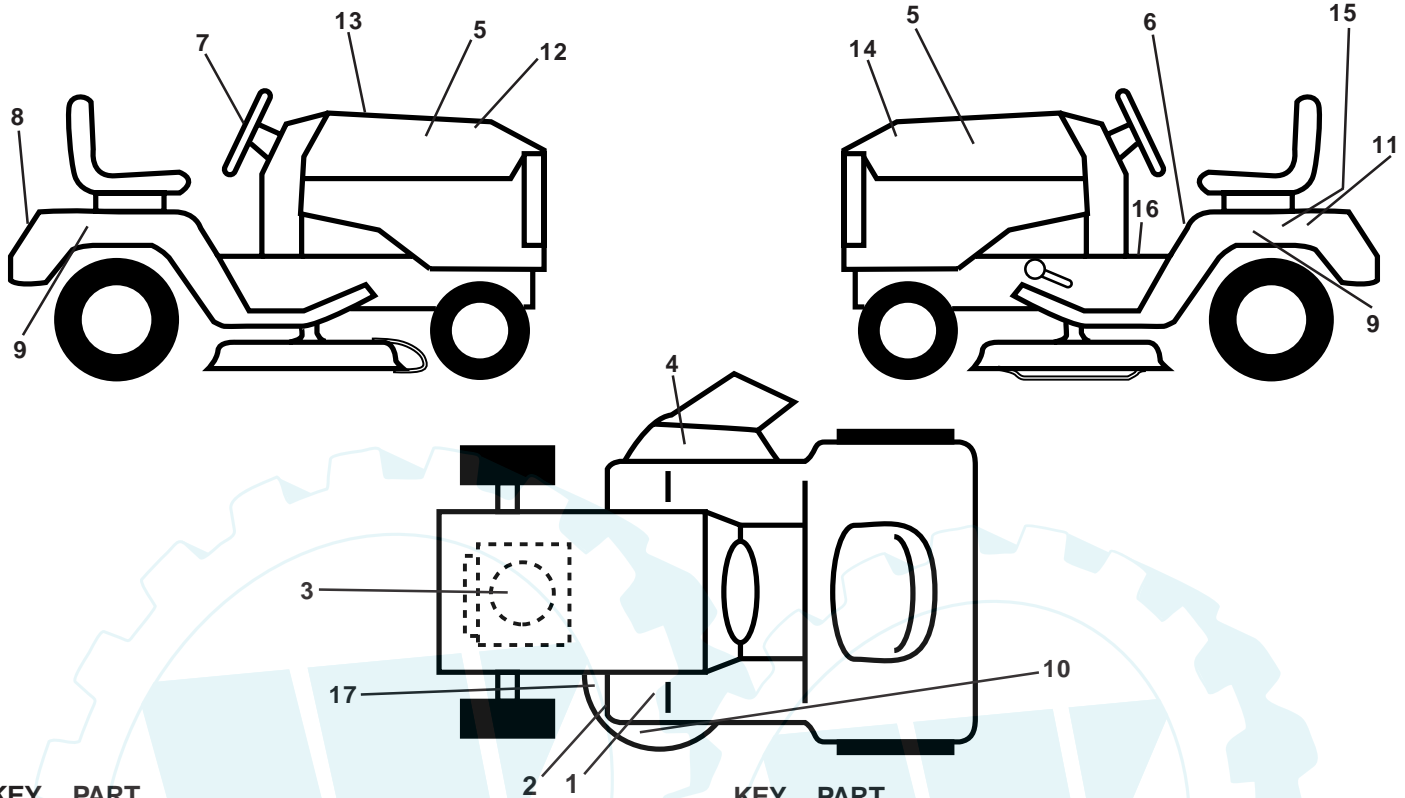
NOTE: All component dimensions given in U.S. inches
1 inch = 25.4 mm.

REPAIR PARTS

www.ersatzteil-service.de

TRACTOR - - MODEL NUMBER Q12538A

DECALS



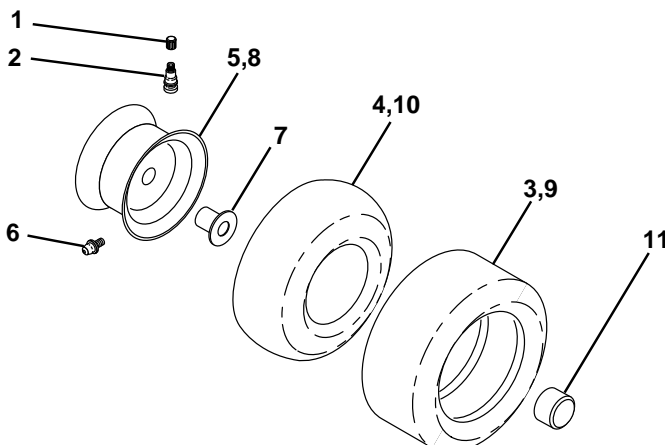
KEY NO.	PART NO.	DESCRIPTION
1	4900J	Decal, Clutch/Brake Eng
2	146046	Decal V-Belt Schematic
3	170839	Decal, Engine HP
4	170563	Decal Warning
5	172376	Decal, Pnl Sd
6	157002	Decal, Fender Danger English
7	172375	Decal Ins Str Wh
8	172372	Decal, Logo, Fender
9	172374	Decal Fender
10	135013	Decal, Deck Enviro
11	168427	Decal, Battery
12	172370	Decal, Hood RH

KEY NO.	PART NO.	DESCRIPTION
13	172934	Decal, Replacement
14	172371	Decal, Hood LH
15	145005	Decal, Caution, Battery
16	156867	Decal, Oper Sdl P/L Gear Dr Eng
17	136832	Decal, V-Belt Sch.
--	138311	Decal, Handle Lft Height Adj.
--	172887	Manual, Operator's English

Available accessories not included with mower:

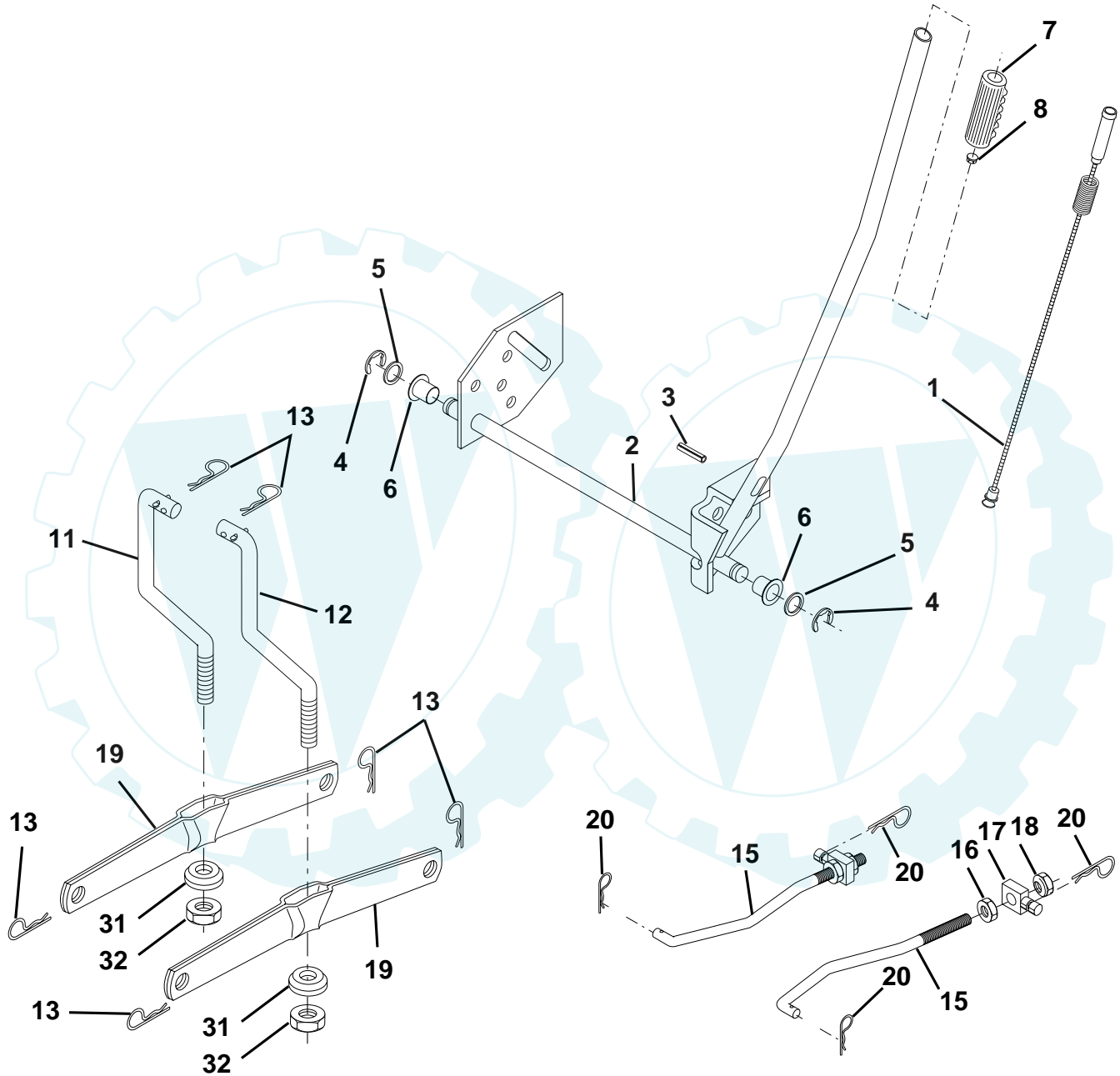
--	C38	Grass Catcher
--	MK38	Mulch Kit w/Blades
--	LSB42	42" Snow Blower
--	LC05	Wheel Weights
--	LBD48	48" Snow Blade
--	CH11	Tire Chains

WHEELS & TIRES



KEY NO.	PART NO.	DESCRIPTION
1	59192	Cap, Tire valve
2	65139	Stem, Valve
3	106222X	Tire, Front
4	59904	Tube, Front (Service item only)
5	106732X427	Rim assembly, 6" front
6	278H	Fitting, Grease (Front wheel only)
7	9040H	Bearing, Flange (Front wheel only)
8	106108X427	Rim assembly, 8" rear
9	124635X	Tire, Rear
10	7152J	Tube, Rear (Service item only)
11	104757X	Cap, Hub Axle
--	144334	Sealant, Tire (10 oz. Tube)

NOTE: All component dimensions given in U.S. inches
1 inch = 25.4 mm



TRACTOR - - MODEL NUMBER Q12538A

MOWER LIFT

KEY NO.	PART NO.	DESCRIPTION
1	159460	Wire Asm Inner/Sprg w/plunger
2	159471	Shaft Asm Lift RH
3	105767X	Pin Groove 1 500 Zinc
4	12000002	E Ring #5133-62
5	19211621	Washer 21/32 X 1 X 21 Ga
6	120183X	Bearing Nylon Blk 629 Id
7	109413X	Grip Handle Bicycle Matte Blk
8	124526X	Button Plunger Black
11	139865	Link Lift LH Fixed Length
12	139866	Link Lift RH Fixed Length
13	4939M	Retainer Spring
15	167253	Link Front
16	73350800	Nut Jam Hex 1/2-13 Unc
17	130171	Trunnion Blk Zinc
18	73800800	Nut Lockw/Wsh 1/2-13 Unc
19	139868	Arm Suspension Rear
20	163552	Retainer, Spring
31	140302	Bearing Pvt Lift Spherical
32	73540600	Nut Crownlock 3/8-24

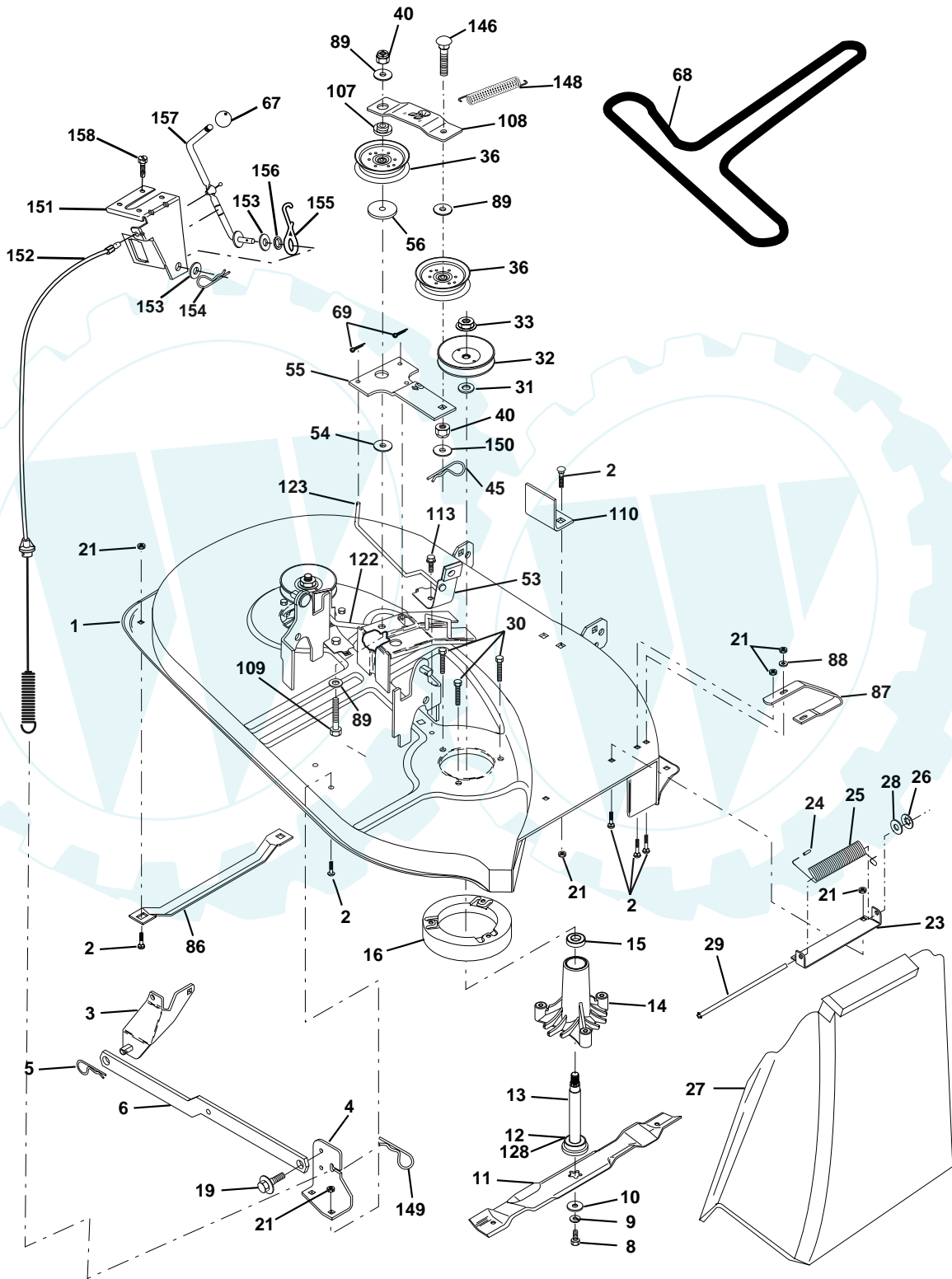
NOTE: All component dimensions given in U.S. inches
1 inch = 25.4 mm.

REPAIR PARTS

www.ersatzteil-service.de

TRACTOR - - MODEL NUMBER Q12538A

MOWER DECK



TRACTOR - - MODEL NUMBER Q12538A

MOWER DECK

KEY NO.	PART NO.	DESCRIPTION	KEY NO.	PART NO.	DESCRIPTION
1	170280	Mower Housing Assembly	56	165723	Spacer, Retainer
2	72140506	Bolt Carriage 5/16-18 x 3/4	67	106932X	Knob
3	138017	Bracket Asm Fr. Sway Bar	68	144200	V-Belt, 42" Mower
4	169970	Bracket Deck Sway Bar 38"/42"	69	76020312	Pin, Cotter 3/32 x 3/4
5	4939M	Retainer Spring	86	7631J	Runner, LH
6	130832	Arm, Suspension, Rear	87	128772	Runner, RH
8	850857	Bolt 3/8-24 x 1.25 Grade 8	88	19111216	Washer 11/32 x 3/4 x 16 Ga
9	10040600	Washer, Lock 3/8	89	19131612	Washer 13/32 x 1 x 12 Ga.
10	140296	Washer, Hardened	107	133502	Spacer Retainer
11	138497	Blade Mower	108	133503	Stiffener, Idler Arm
12	129895	Bearing, Ball	109	74760640	Bolt, Hex Hd 3/8-16 x 2-1/2
13	137645	Shaft Assembly, Mandrel, Vented (Includes Key Number 6)	110	142587	Upstop Deck Front 38"
14	128774	Housing, Mandrel, Vented	113	17060512	Screw 5/16-1/ x 3/4
15	110485X	Bearing, Ball, Mandrel	122	131289	Rod, Brake LH
16	140329	Stripper, Vented Mower Deck	123	169971	Rod, Brake RH
19	132827	Bolt, Shoulder	128	153390	Washer Felt
21	73680500	Nut	146	165891	Bolt Carriage Idler
23	137607	Bracket, Mower Deflector	148	169022	Spring Return Idler
24	105304X	Cap, Sleeve	149	165898	Retainer Spring Yellow
25	123713X	Spring, Torsion, Deflector	150	19091216	Washer 9/32 x 3/4 x 16 Ga.
26	110452X	Nut, Push	151	169670	Bracket Clutch Cable
27	106736X428	Shield, Deflector	152	172758	Clutch Cable 38"/46"
28	19111016	Washer 11/32 x 5/8 x 16 Gauge	153	169674	Washer Flat 3/8" Type B
29	106735X	Rod, Hinge	154	169675	Spring Retainer
30	157722	Screw Thdrol. Washer Head	155	169671	Spring Retention LVR CLTCH CAB
31	129963	Washer, Spacer	156	169672	Spacer Clutch Cable
32	153532	Pulley, Mandrel	157	169669	Rod Clutch Cable 3/8"
33	137266	Nut, Toplock 9/16	158	17720410	Screw Hex Thd Cut 1/4-20 x 5/8
36	131494	Pulley, Idler, Flat	--	130794	Mandrel Assembly (Includes Key Numbers 12-15, 17-19, 31 and 33)
45	4497H	Retainer	--	170317	Mower Deck, Complete
53	130840	Brake Assembly			
54	133943	Washer, Hardened			
55	133840	Idler Arm Assembly			

NOTE: All component dimensions given in U.S. inches
1 inch = 25.4 mm