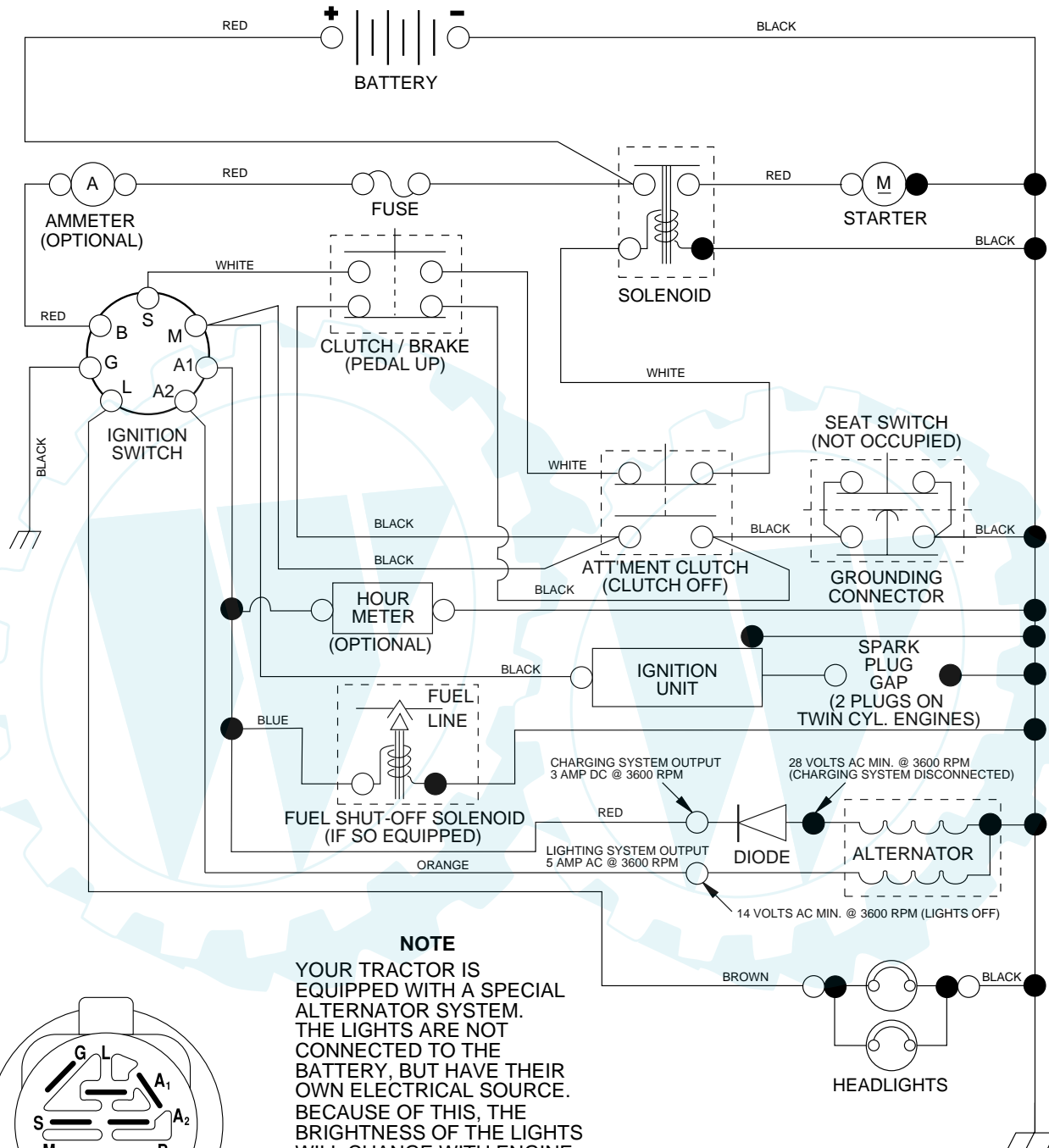
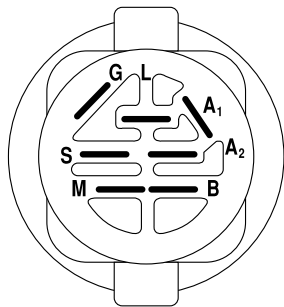


SCHEMATIC



NOTE
 YOUR TRACTOR IS EQUIPPED WITH A SPECIAL ALTERNATOR SYSTEM. THE LIGHTS ARE NOT CONNECTED TO THE BATTERY, BUT HAVE THEIR OWN ELECTRICAL SOURCE. BECAUSE OF THIS, THE BRIGHTNESS OF THE LIGHTS WILL CHANGE WITH ENGINE SPEED. AT IDLE THE LIGHTS WILL DIM. AS THE ENGINE IS SPEEDED UP, THE LIGHTS WILL BECOME THEIR BRIGHTEST.



IGNITION SWITCH

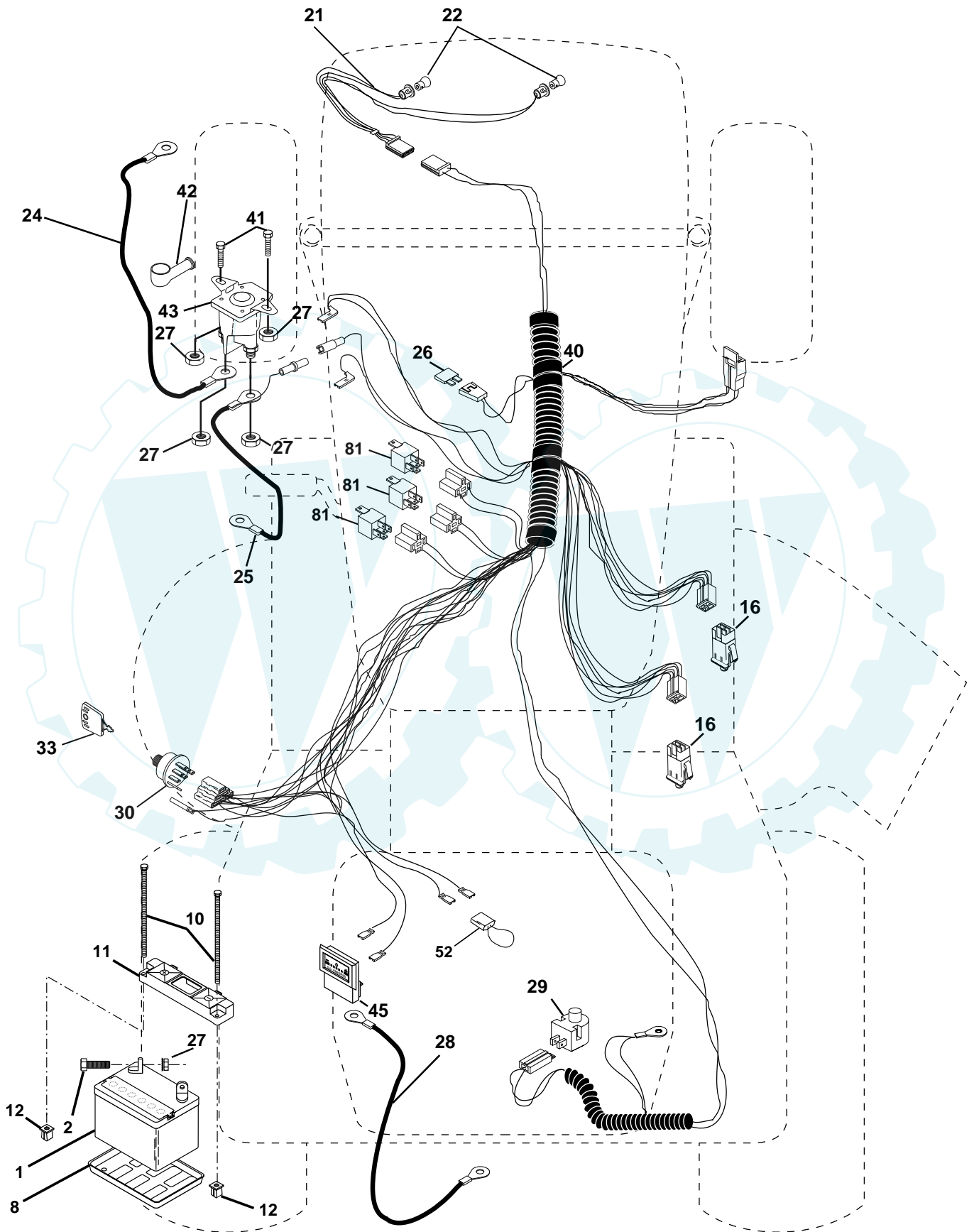
| POSITION | CIRCUIT | "MAKE" |
|-----------|------------|--------|
| OFF | M+G+A1 | NONE |
| RUN/LIGHT | B+A1 | A2+L |
| RUN | B+A1 | NONE |
| START | B + S + A1 | NONE |

WIRING INSULATED CLIPS

NOTE: IF WIRING INSULATED CLIPS WERE REMOVED FOR SERVICING OF UNIT, THEY SHOULD BE REPLACED TO PROPERLY SECURE YOUR WIRING.

NON-REMOVABLE CONNECTIONS

REMOVABLE CONNECTIONS



REPAIR PARTS

TRACTOR - - MODEL NUMBER PRK17G42STA

ELECTRICAL

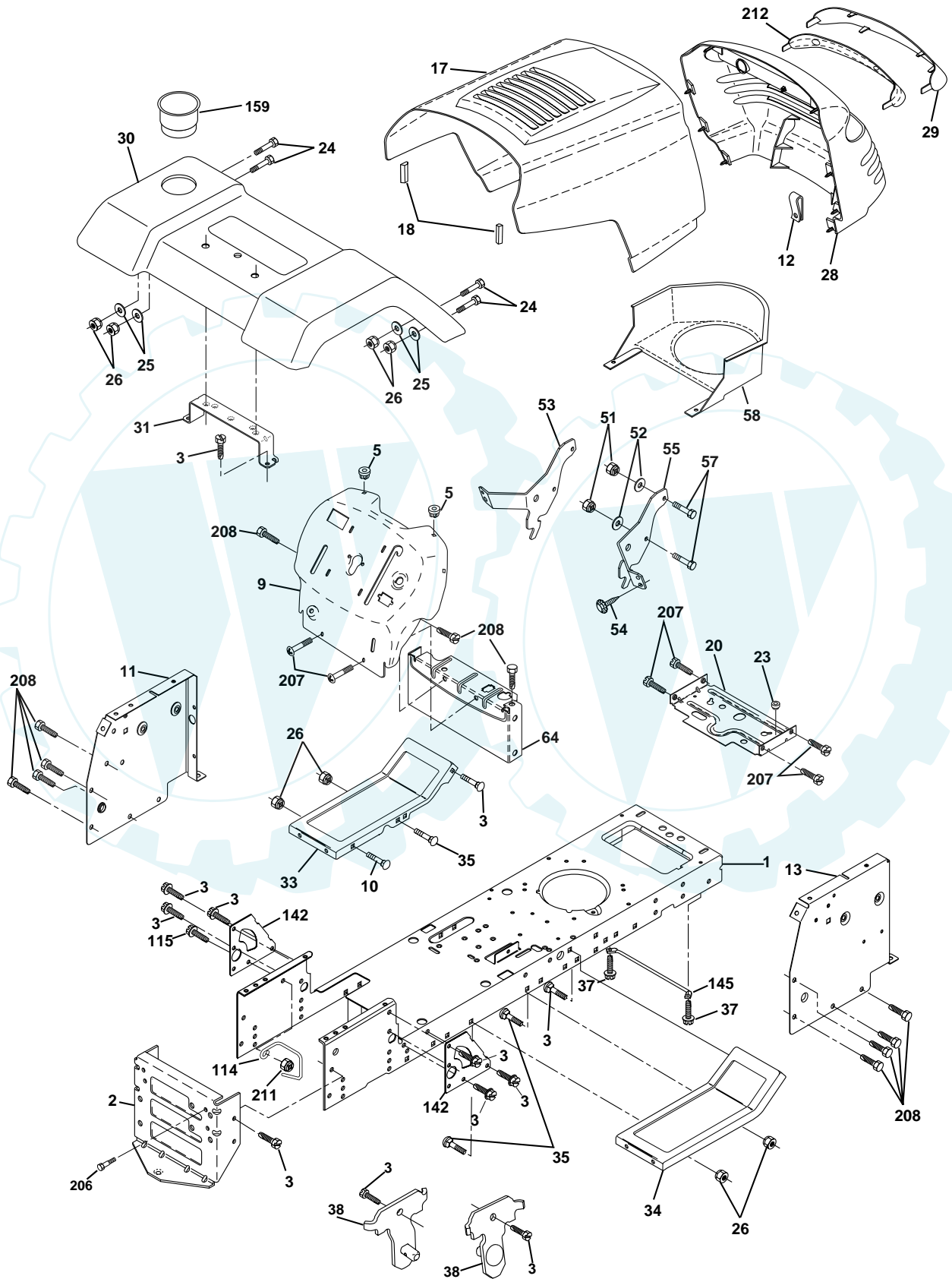
| KEY NO. | PART NO. | DESCRIPTION |
|---------|----------|----------------------------------|
| 1 | 144925 | Battery 12 Volt 25 Amp |
| 2 | 74760412 | Bolt Hex Hd 1/4-20unc X 3/4 |
| 8 | 156417 | Case Battery Mech Hinge |
| 16 | 161343 | Switch Interlock |
| 21 | 166181 | Harness Socket Light |
| 22 | 4152J | Bulb, Light # 1156 |
| 24 | 4799J | Cable Battery |
| 25 | 146147 | Cable Battery 6 Ga Red w/16 wire |
| 26 | 175158 | Fuse |
| 27 | 73510400 | Nut Keps Hex 1/4-20 Unc |
| 28 | 4207J | Cable Ground 6ga 12 black |
| 29 | 160784 | Switch Plunger Olive |
| 30 | 175566 | Switch Ign |
| 33 | 140401 | Key Ign Molded Generic |
| 40 | 170219 | Harness Ign |
| 41 | 71110408 | Bolt Fin Hex 1/4-20uncx 1/2 |
| 42 | 131563 | Cover Terminal Red |
| 43 | 175141 | Solenoid |
| 45 | 122822X | Ammeter Rectangular |
| 52 | 141940 | Protection Loop |

NOTE: All component dimensions given in U.S. inches
1 inch = 25.4 mm

REPAIR PARTS

www.ersatzteil-service.de

TRACTOR - - MODEL NUMBER PRK17G42STA CHASSIS AND ENCLOSURES



TRACTOR - - MODEL NUMBER PRK17G42STA CHASSIS AND ENCLOSURES

| KEY NO. | PART NO. | DESCRIPTION |
|---------|------------|---------------------------------|
| 1 | 169830 | Chassis |
| 2 | 176554 | Drawbar |
| 3 | 17060612 | Screw 3/8-16x.75 |
| 5 | 155272 | Bumper Hood/Dash |
| 9 | 168337X012 | Dash P/L |
| 10 | 72140608 | Bolt Carriage 3/8-16 x 1 |
| 11 | 155927 | Panel Dash Lh |
| 12 | 145660 | Clip Tinnerman |
| 13 | 172108 | Panel Dash Rh |
| 17 | 159639X428 | Hood LT/PL |
| 18 | 126938X | Bumper Hood |
| 20 | 156437 | Plate Mtg Battery Fuel Tank Fr |
| 23 | 124028X | Bushing |
| 24 | 74780616 | Bolt Fin Hex 3/8-16 x 1 Gr 5 |
| 25 | 19131312 | Washer 13/32 X 13/16 X 12 Ga |
| 26 | 73800600 | Nut Lock Hex W/Ins 3/8-16 Unc |
| 28 | 170474 | Grille LT/PL |
| 29 | 170472X599 | Lens LT/PL |
| 30 | 169470X428 | Fender Footrest STLT Pnt |
| 31 | 136619 | Bracket Support Fender |
| 33 | 145244X428 | Footrest Pnt Lh |
| 34 | 145243X428 | Footrest Pnt Rh |
| 35 | 72110606 | Bolt Rdhd Sht Sqnk 3/8-16 x 3/4 |
| 37 | 17490508 | Screw Thdrol 6/16-18 x 1/2 TYT |
| 38 | 169834 | Bracket Asm. Pivot Mower Rear |
| 51 | 73800400 | Nut Lock Hex W/Ins 1/4-20 |
| 52 | 19091416 | Washer 9/32 x 7/8 x 16 Ga. |
| 53 | 144697 | Bracjet Grukke Lh |
| 54 | 161464 | Screw Hex Wshd 8-18 x 7/8 |
| 55 | 144696 | Bracket Grille Rh |
| 57 | 74780412 | Bolt Hex 1/4-20 x 3/4 |
| 58 | 150127 | Duct Air |
| 64 | 154798 | Dash Lower STLT |
| 114 | 158112 | Keeper Belt Rear Lh |
| 115 | 17060620 | Screw 3/8-16 x 1-1/4 |
| 142 | 165867 | Plate Reinforcement STLT |
| 145 | 156524 | Rod Pivot Chassis/Hood |
| 159 | 169473X428 | Cupholder |
| 206 | 170165 | Bolt Shoulder 5/16-18 |
| 207 | 17670508 | Screw Thdrol 5/16-18 x 1/2 |
| 208 | 17670608 | Screw Thdrol 3/8-16 x 1/2 |
| 211 | 145212 | Nut Hex Flange Lock |
| 212 | 156229 | Insert Lens Reflect P/L LT |
| -- | 5479J | Plug Button |

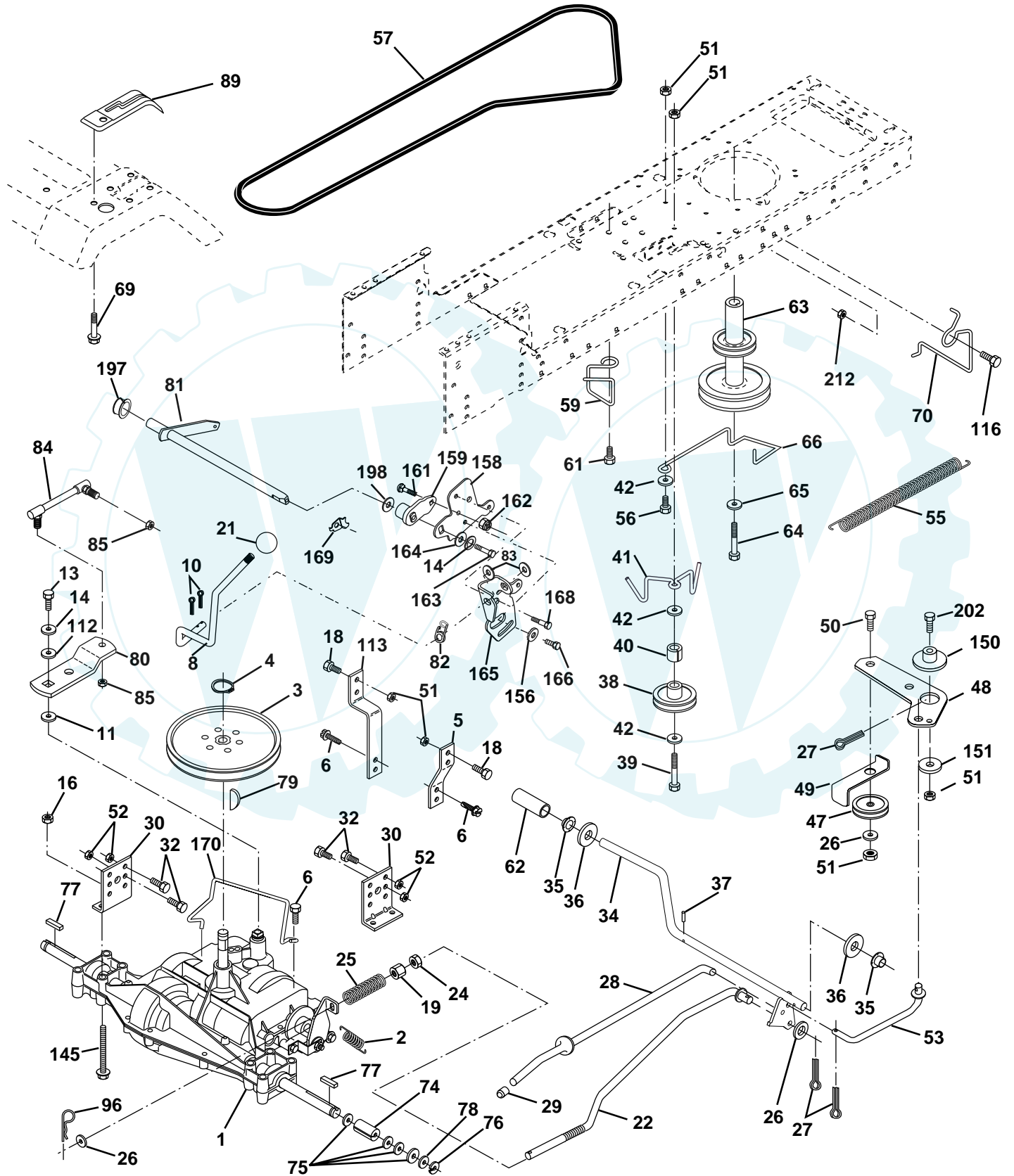
NOTE: All component dimensions given in U.S. inches
1 inch = 25.4 mm

REPAIR PARTS

www.ersatzteil-service.de

TRACTOR - - MODEL NUMBER PRK17G42STA

DRIVE



TRACTOR - - MODEL NUMBER PRK17G42STA

DRIVE

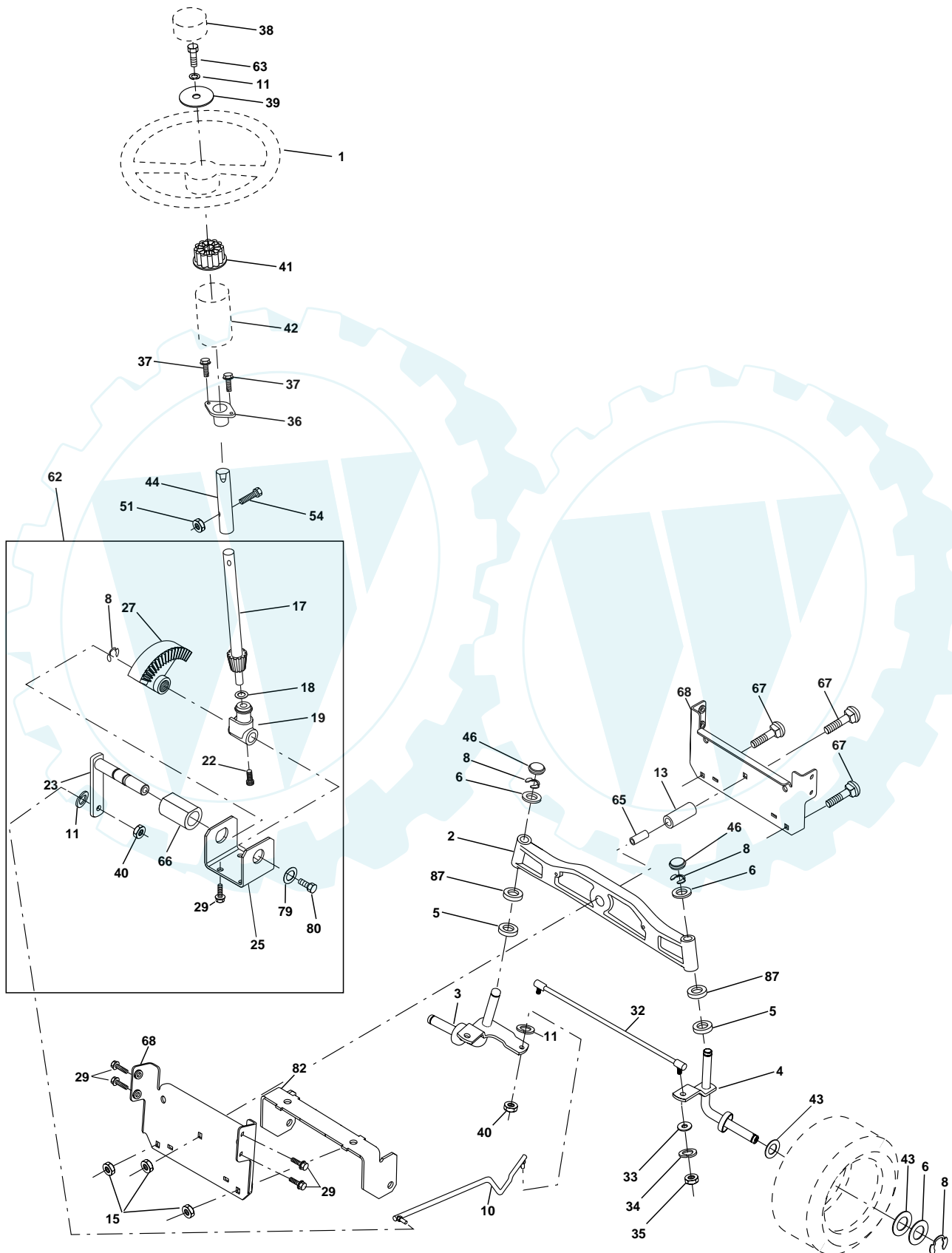
| KEY NO. | PART NO. | DESCRIPTION | KEY NO. | PART NO. | DESCRIPTION |
|---------|----------|--|---------|------------|-----------------------------------|
| 1 | ----- | Transaxle Peerless (206-545C) (Order parts from transaxle manufacturer) | 61 | 17060612 | Screw 3/8-16x.75 |
| 2 | 146682 | Spring Return Brake T/a Zinc | 62 | 8883R | Cover Pedal Blk Round |
| 3 | 123666X | Pulley Transaxle 18" tires | 63 | 140186 | Engine Pulley LT/YT |
| 4 | 12000028 | Ring Retainer #5100-62 | 64 | 71170764 | Bolt Hex |
| 5 | 121520X | Strap Torque 30 Degrees | 65 | 10040700 | Washer Lock Hvy Hlcl Spr 7/16 |
| 6 | 17060512 | Screw 5/16-18 X 3/4 | 66 | 154778 | Keeper Belt Engine Foolproof |
| 8 | 165619 | Rod Shift Fender Adjust Lt | 69 | 142432 | Screw Hex wsh HiLo 1/4 x 1/2 unc |
| 10 | 76020416 | Pin Cotter 1/8 X 1 Cad | 70 | 134683 | Guide Belt Mower Drive RH |
| 11 | 105701X | Washer Plate Shf 388 Sq Hole | 72 | 19132012 | Washer 13/32 X 1-1/4 X 12 Ga |
| 13 | 74550412 | Bolt 1/4-28 Unf Gr 8 W/Patch | 74 | 137057 | Spacer Axle |
| 14 | 10040400 | Washer Lock Hvy Helical | 75 | 121749X | Washer 25/32 X 1 1/4 X 16 Ga |
| 16 | 73800500 | Nut Lock Hex w/ins 5/16-18 | 76 | 12000001 | E-ring #5133-75 |
| 18 | 74780616 | Bolt, Fin Hex 3/8-16 UNC x 1 Gr. 5 | 77 | 123583X | Key Square 2 0 X 1845/ 1865 |
| 19 | 73800600 | Nut Lock 3/8-16 Unc | 78 | 121748X | Washer 25/32 X 1-5/8 X 16 Ga |
| 21 | 140845 | Knob | 79 | 2228M | Key Woodruff #9 3/16 x 3/4 |
| 22 | 130804 | Rod Brake Blk Zinc 26 840 | 80 | 145090 | Arm Shift |
| 24 | 73350600 | Nut Hex Jam 3/8-16 Unc | 81 | 165592 | Shaft Asm Cross Tapered PMST/20 |
| 25 | 106888X | Spring Rod Brake 2 00 Zinc | 82 | 123782X | Spring Torsion T/a |
| 26 | 19131316 | Washer 13/32 X 13/16 X 16 Ga | 83 | 19171216 | Washer 17/32 X 3/4 X 16 Ga |
| 27 | 76020412 | Pin Cotter 1/8 X 3/4 Cad | 84 | 166231 | Link Transaxle PMST/20" Zinc |
| 28 | 145204 | Rod Brake Parking LT/YT | 85 | 150360 | Nut Lock Center 1/4 - 28 FNTHD |
| 29 | 71673 | Cap Brake Parking | 89 | 169372X428 | Console Shift STLT |
| 30 | 169592 | Bracket Mtg Transaxle | 96 | 4497H | Retainer Spring 1" |
| 32 | 74760512 | Bolt Hex Hd 5/16-18unc X 3/4 | 112 | 19091210 | Washer 9/32 x 3/4 x 10 Ga. |
| 34 | 155071 | Shaft Asm Pedal Foot | 113 | 127285X | Strap Torque LT |
| 35 | 120183X | Bearing Nylon Blk 629 Id | 116 | 72140608 | Bolt RDHD SQNK 3/8-16 Unc x 1 |
| 36 | 19211616 | Washer 21/32 X 1 X 16 Ga | 145 | 74490540 | Bolt Hex FLGHD 5/16-18 Gr. 5 |
| 37 | 1572H | Pin Roll 3/16 X 1" | 150 | 165850 | Bushing Bellcrank |
| 38 | 131494 | Pulley Idler Flat | 151 | 19133210 | Washer 13/32 x 2 x 10 |
| 39 | 74760644 | Bolt Fin Hex 3/8-16 unc X 2-3/4 | 156 | 166002 | Washer Srrted 5/16ID x 1.125 |
| 40 | 4470J | Spacer Split 395 X 59 Bzp | 158 | 165589 | Bracket Shift Mount |
| 41 | 165838 | Keeper Belt Flat Idler | 159 | 165494 | Hub Tapered Flange Shift Lt |
| 42 | 19131312 | Washer 13/32 X 13/16 X 12 Ga | 161 | 72140406 | Bolt Rdhd Sqnk 1/4-20 x 3/4 Gr |
| 47 | 127783 | Pulley Idler V Groove Plastic | 162 | 73680400 | Nut Crownlock 1/4-20 Unc |
| 48 | 154407 | Bellcrank Asm | 163 | 74780416 | Bolt Hex Fin 1/4-20 Unc x 1 Gr 5 |
| 49 | 123205X | Retainer Belt Style Spring | 164 | 19091010 | Washer 5/8 x .281 x 10 Ga |
| 50 | 74760624 | Bolt Hex Hd 3/8-16unc X 1-1/2 | 165 | 165623 | Bracket Pivot Lever |
| 51 | 73680600 | Nut Crownlock 3/8-16 Unc | 166 | 166880 | Screw 5/16-18 x 5/8 |
| 52 | 73680500 | Nut Crownlock 5/16-18 Unc | 168 | 165492 | Bolt Shoulder 5/16-18 x .561 |
| 53 | 105710X | Link Clutch | 169 | 165580 | Plate Fastening |
| 55 | 105709X | Spring Return Clutch 6 75 | 170 | 173898 | Keeper Belt Transaxle Gear |
| 56 | 74760620 | Bolt Fin Hx 3/8-16 X 1/4 | 197 | 169613 | Nyliner Snap-In |
| 57 | 130801 | V-Belt Ground Drive 95 25 | 198 | 169593 | Washer Nyliner |
| 59 | 169691 | Keeper Belt Span Ctr | 202 | 72110612 | Bolt Carr Sh 3/8-16 x 1-1/2 Gr. 5 |
| | | | 212 | 145212 | Nut Hex Flange Lock |

NOTE: All component dimensions given in U.S. inches
1 inch = 25.4 mm

REPAIR PARTS

TRACTOR - - MODEL NUMBER PRK17G42STA

STEERING ASSEMBLY



TRACTOR - - MODEL NUMBER PRK17G42STA

STEERING ASSEMBLY

| KEY NO. | PART NO. | DESCRIPTION |
|---------|------------|----------------------------------|
| 1 | 159944X428 | Wheel Steering |
| 2 | 172393 | Axle Asm Cast Iron LT |
| 3 | 169840 | Spindle Asm LH |
| 4 | 169839 | Spindle Asm RH |
| 5 | 6266H | Bearing Race Thrust Harden |
| 6 | 121748X | Washer 25/32 X 1-5/8 X 16 Ga |
| 8 | 12000029 | Ring Klip #t5304-75 |
| 10 | 169832 | Link Drag |
| 11 | 10040600 | Washer Lock Hvy Hlcl Spr 3/8 |
| 13 | 136518 | Spacer Brg. Axle Front |
| 15 | 145212 | Nut Hex Flange Lock |
| 17 | 156546 | Shaft Asm Strg |
| 18 | 57079 | Washer Thrust 515x 750x 033 |
| 19 | 160395 | Support Shaft |
| 22 | 165857 | Screw Hex Wsh Hd Torx |
| 23 | 165851 | Shaft Asm Pittman |
| 25 | 154406 | Bracket Steering |
| 27 | 136874 | Gear Sector |
| 29 | 17060612 | Screw 3/8-16x.75 |
| 32 | 171888 | Rod Tie |
| 33 | 19111216 | Washer 11/32 x 3/4 x 16 Ga. |
| 34 | 10040500 | Washer Lock Hvy Hlcl Spr 5/16 |
| 35 | 73540500 | Crownlock Nut 5/16-24 |
| 36 | 155099 | Bushing Strg |
| 37 | 152927 | Screw |
| 38 | 159946X428 | Insert Cap Strg Wh Au |
| 39 | 19132411 | Washer 13/32 X 2-3/8 X 12 Ga |
| 40 | 7810H | Lock nut |
| 41 | 159945 | Adaptor Wheel Strg |
| 42 | 145054X428 | Boot Steering Dash |
| 43 | 121749X | Washer 25/32 X 1 1/4 X 16 Ga |
| 44 | 153720 | Extension Steering Shaft LR/LT |
| 46 | 121232X | Cap Spindle Fr Top Blk |
| 51 | 73800500 | Nut Lock Hex w/Ins 5/16-18 |
| 54 | 74780520 | Bolt Fin Hex 5/16-18 Unc x 1-1/4 |
| 62 | 167902 | Kit, Steering Assembly Svc |
| 63 | 74780616 | Bolt Fin Hex 3/8-16unc x 1 Gr. 5 |
| 65 | 160367 | Brace Axle |
| 66 | 154404 | Bearing Arm Pittman |
| 67 | 72140618 | Bolt Rdhd Sq 3/8-16 Unc x 2-1/4 |
| 68 | 169827 | Axle, Brace |
| 79 | 19132012 | Washer 13/32 x 1-1/4 x 12 Ga. |
| 80 | 74950612 | Bolt Hex Nylon 3/8-16 x 3/4 |
| 82 | 169835 | Bracket Susp. Chassis Front |
| 87 | 173966 | Washer Flat .781 x 1-1/2 x .14 |

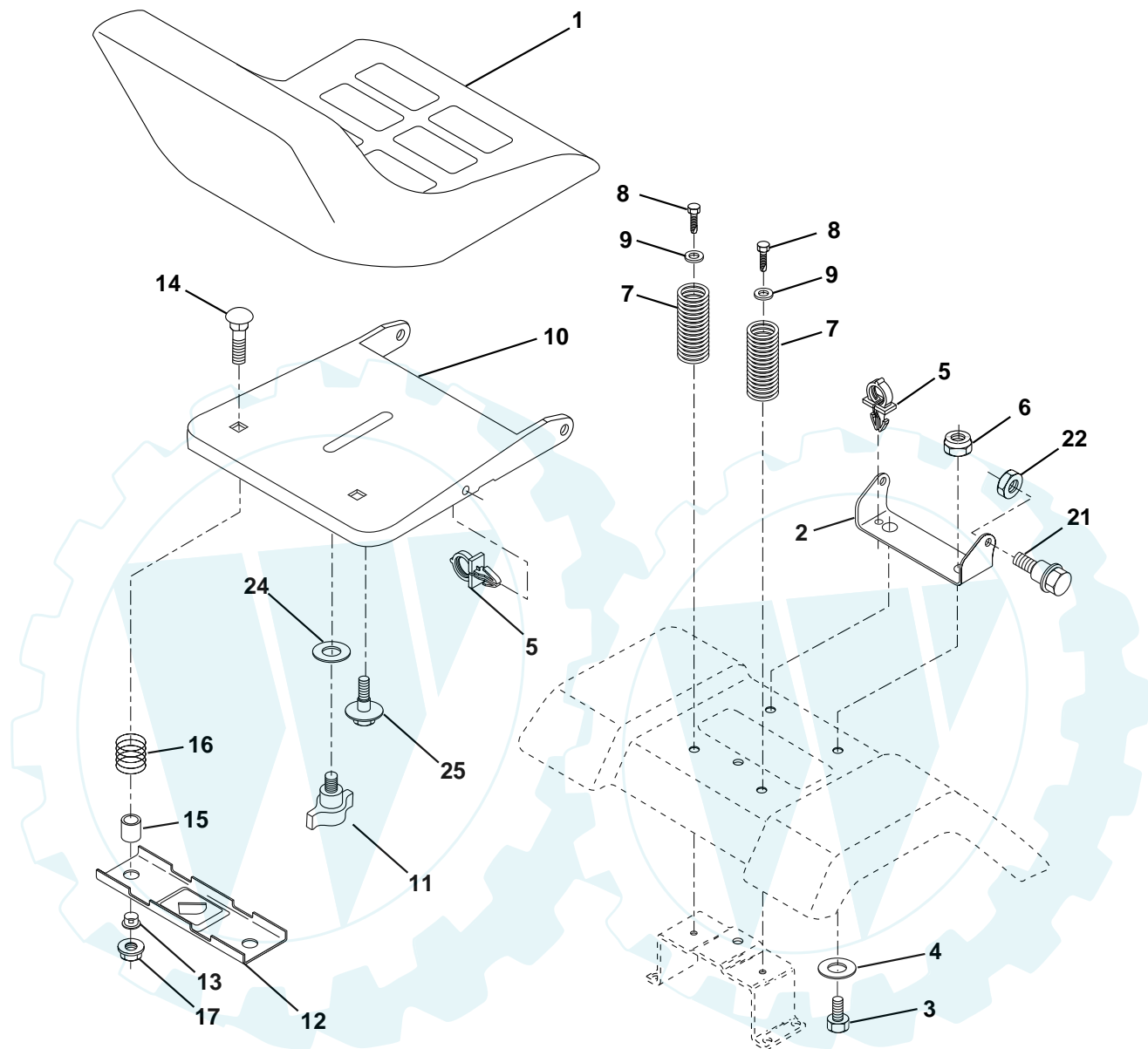
NOTE: All component dimensions given in U.S. inches
1 inch = 25.4 mm

REPAIR PARTS

www.ersatzteil-service.de

TRACTOR - - MODEL NUMBER PRK17G42STA

SEAT ASSEMBLY



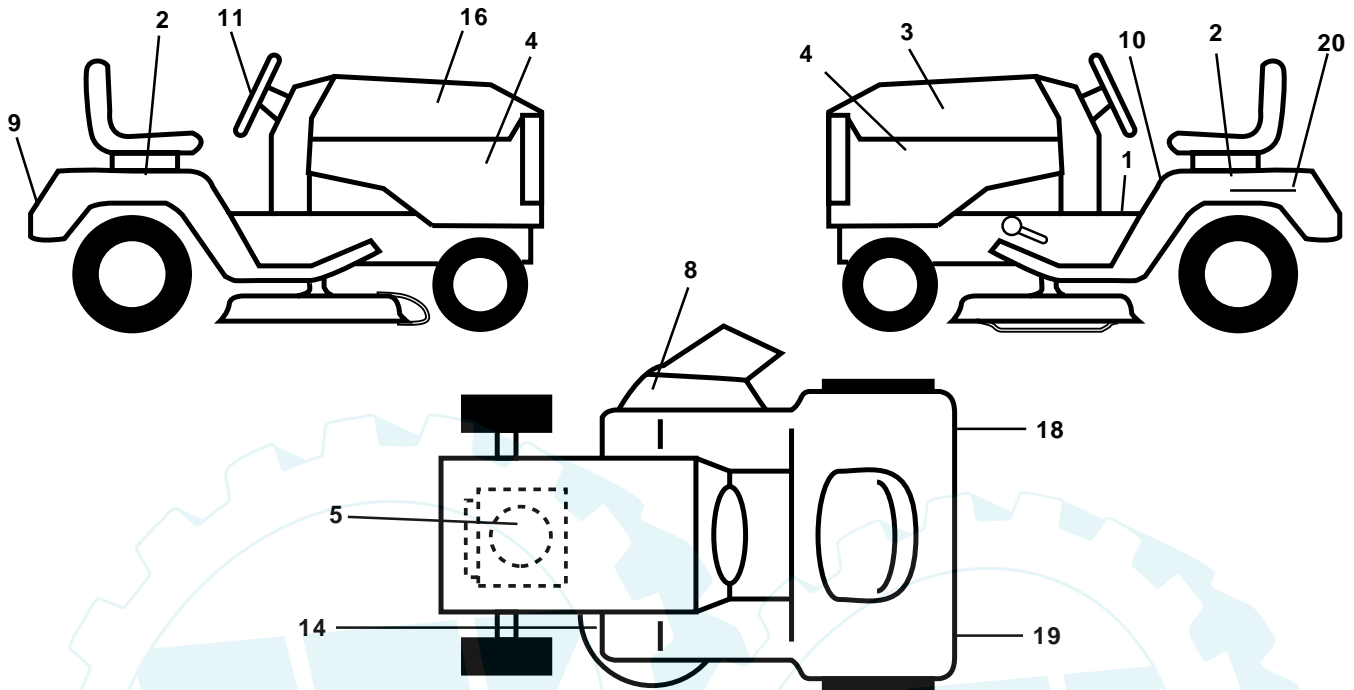
| KEY NO. | PART NO. | DESCRIPTION |
|---------|----------|--------------------------------|
| 1 | 171683 | Seat |
| 2 | 140551 | Bracket Pivot Seat 8 720 |
| 3 | 71110616 | Bolt Fin Hex 3/8-16 Unc X 1 |
| 4 | 19131610 | Washer 13/32 X 1 X 10 Ga |
| 5 | 145006 | Clip Push-In |
| 6 | 73800600 | Nut Hex w/Ins. 3/8-16 Unc |
| 7 | 124181X | Spring Seat Cprsn 2 250 Blk Zi |
| 8 | 17000616 | Screw 3/8-16 X 1.5 |
| 9 | 19131614 | Washer 13/32 X 1 X 14 Ga. |
| 10 | 174894 | Pan Seat |
| 11 | 166369 | Knob Seat |

| KEY NO. | PART NO. | DESCRIPTION |
|---------|----------|--------------------------------|
| 12 | 121246X | Bracket Mounting Switch |
| 13 | 121248X | Bushing Snap Blk Nyl 50 Id |
| 14 | 72050412 | Bolt Rdhd Sqnk 1/4-20x1-1/2 |
| 15 | 134300 | Spacer Split 28x 88 |
| 16 | 121250X | Spring Cprsn |
| 17 | 123976X | Nut Lock 1/4 Lge Flg Gr 5 Zinc |
| 21 | 171852 | Bolt Shoulder 5/16-18 Unc |
| 22 | 73800500 | Nut Hex Lock W/Ins 5/16-18 |
| 24 | 19171912 | Washer 17/32 X 1-3/16 X 12 Ga. |
| 25 | 127018X | Bolt Shoulder 5/16-18 X 62 |

NOTE: All component dimensions given in U.S. inches
1 inch = 25.4 mm

TRACTOR - - MODEL NUMBER PRK17G42STA

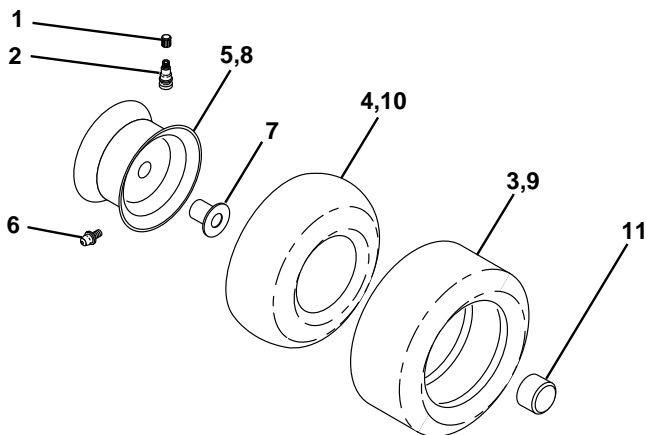
DECALS



| KEY NO. | PART NO. | DESCRIPTION |
|---------|----------|------------------------------|
| 1 | 156369 | Decal Oper |
| 2 | 176305 | Decal Fender Side |
| 3 | 176308 | Decal Hood LH |
| 4 | 176304 | Decal Side Panel Logo |
| 5 | 177526 | Decal HP Engine |
| 8 | 170563 | Decal Warning Multi-Language |
| 9 | 172740 | Decal Fender Logo |
| 10 | 157140 | Decal Fender Danger E/F |
| 11 | 172743 | Decal Ins Strg Whl |

| KEY NO. | PART NO. | DESCRIPTION |
|---------|----------|--------------------------------|
| 14 | 160396 | Decal V-Belt Schematic |
| 16 | 176307 | Decal Hood Rh |
| 18 | 173587 | Decal Fender Reflector RH |
| 19 | 173589 | Decal Fender Reflector LH |
| 20 | 145005 | Decal Bat Dan/Psn |
| -- | 133671 | Pad Footrest |
| -- | 138311 | Decal Handle Lft Height Adjust |
| -- | 177545 | Manual Owner's (English) |
| -- | 177546 | Manual Owner's (French) |

WHEELS AND TIRES



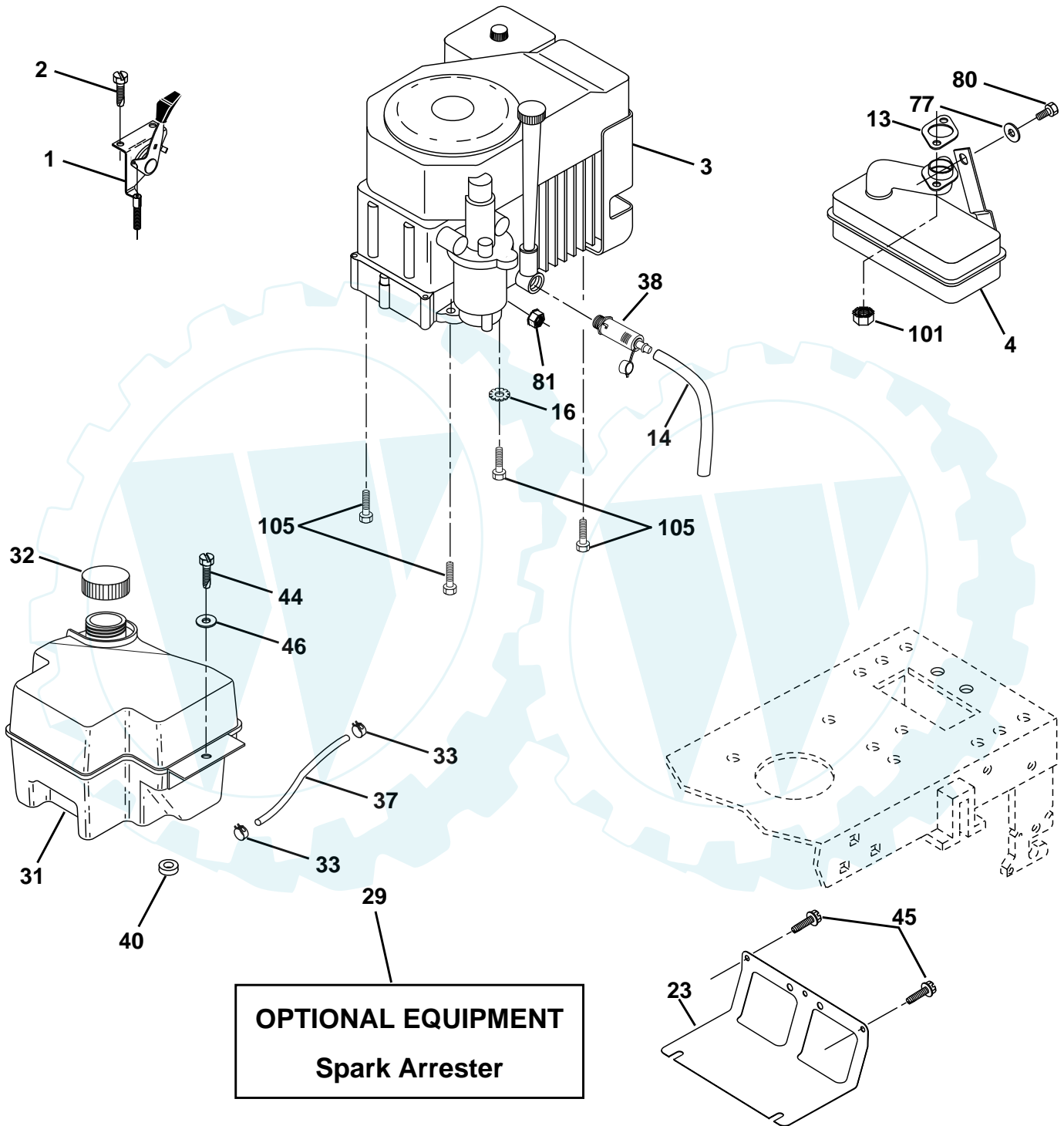
| KEY NO. | PART NO. | DESCRIPTION |
|---------|------------|-----------------------------------|
| 1 | 59192 | Cap Valve Tire |
| 2 | 65139 | Stem Valve |
| 3 | 170455 | Tire F Ts 15 X 6 0 - 6 Service |
| 4 | 59904 | Tube Front (Service Item Only) |
| 5 | 106732X421 | Rim Asm 6"front Service |
| 6 | 278H | Fitting Grease (Front Wheel Only) |
| 7 | 9040H | Bearing Flange (Front Wheel Only) |
| 8 | 106108X421 | Rim Asm 8"rear Service |
| 9 | 170456 | Tire R Ts 20x10-8 C Service |
| 10 | 7152J | Tube Rear (Service Item Only) |
| 11 | 104757X428 | Cap Axle Blk 1 50 X 1 00 |
| -- | 144334 | Sealant, Tire (10 oz. Tube) |

NOTE: All component dimensions given in U.S. inches
1 inch = 25.4 mm

REPAIR PARTS

TRACTOR - - MODEL NUMBER PRK17G42STA

ENGINE



TRACTOR - - MODEL NUMBER PRK17G42STA

ENGINE

| KEY NO. | PART NO. | DESCRIPTION |
|---------|-----------|---|
| 1 | 170805 | Control Th/ch Flag |
| 2 | 17720410 | Screw Hex Thd Cut 1/4-20x5/8 T |
| 3 | ----- | Engine, Kohler CV 490 (Order Parts From Engine Manufacturer) |
| 4 | 159420 | Muffler Exhaust |
| 13 | 12-041-03 | Gasket Muffler |
| 14 | 148456 | Tube Drain Oil Easy |
| 16 | 11050600 | Washer Lock Ext Tooth 3/8 |
| 23 | 169837 | Shield Brn/Dbr Guard |
| 29 | 137180 | Arrestor Spark |
| 31 | 174642 | Tank Fuel Front 2 00 |
| 32 | 140527 | Cap Fuel |
| 33 | 123487X | Clamp Hose Black |
| 37 | 137040 | Line Fuel 20" |
| 38 | 148315 | Plug Drain Oil Easy |
| 40 | 124028X | Bushing Snap Nyl Blk Fuel Line |
| 44 | 17670412 | Screw Hex wsh Thdrol 1/4-20x3/4 |
| 45 | 17000612 | Screw Hex Wsh Thdrol 3/8-16 x 3/4 |
| 46 | 19091416 | Washer 9/32 X 7/8 X 16 Ga |
| 62 | 10040500 | Washer Lock Hvy Hlcl Spr 5/16 |
| 72 | 71070512 | Screw Hex Hd Cap 5/16-18 x 3/4 |
| 77 | 19101216 | Washer 5/16 x 3/4 x 16 Ga. |
| 78 | 17060620 | Screw 3/8-16 x 1-1/4 |
| 80 | 74760508 | Bolt Hex Hd. 5/16-18 Unc x 1/2 |
| 81 | 73510400 | Nut Keps Hex 1/4-20 Unc |
| 101 | M73030800 | Nut Flange |
| 105 | 17120616 | Screw 3/8-16 x 1 |

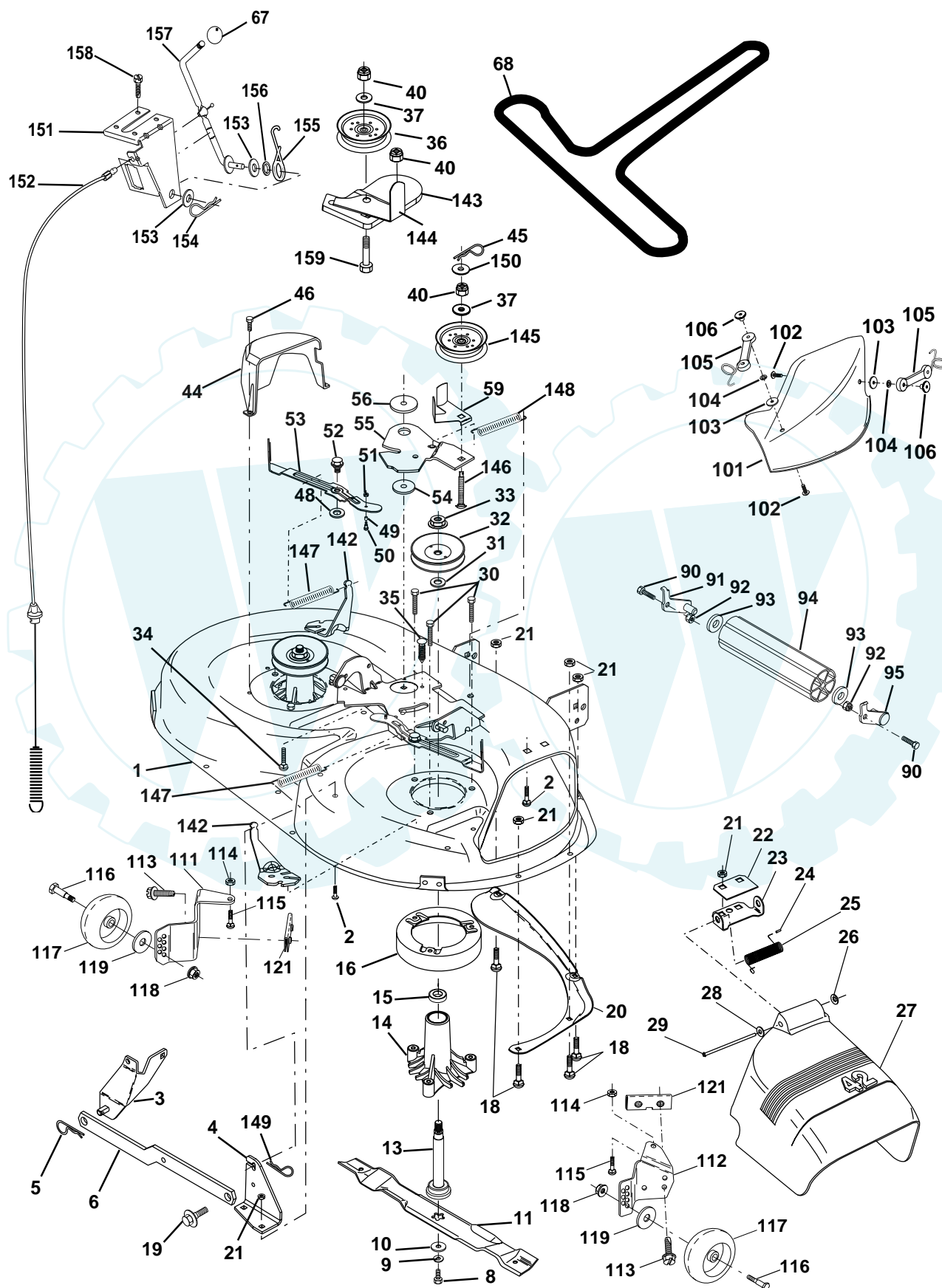
NOTE: All component dimensions given in U. S. inches 1 inch = 25.4 mm

REPAIR PARTS

www.ersatzteil-service.de

TRACTOR - - MODEL NUMBER PRK17G42STA

MOWER DECK



TRACTOR - - MODEL NUMBER PRK17G42STA

MOWER DECK

| KEY NO. | PART NO. | DESCRIPTION | KEY NO. | PART NO. | DESCRIPTION |
|---------|------------|----------------------------------|---------|------------|--|
| 1 | 165892X421 | Mower Deck Assembly, 42" | 68 | 144959 | V-Belt, 42" Mower |
| 2 | 72140506 | Bolt | 90 | 74760616 | Bolt Fin Hex 3/8-16 Unc x 1 |
| 3 | 138017 | Bracket Asm Fr. Sway Bar 3/42 | 91 | 132274 | Bracket Asm. Noseroller LH |
| 4 | 165460X421 | Bracket Asm Deck 42" Sway Bar | 92 | 73800600 | Nut, Lock, Hex W/Ins 3/8-16 UNC |
| 5 | 4939M | Retainer Spring | 93 | 19171416 | Washer 17/32 x 7/8 x 16 Ga. |
| 6 | 130832 | Arm, Suspension, Rear | 94 | 132264 | Roller, Nose |
| 8 | 850857 | Bolt 3/8-24 x 25 Grade 8 patched | 95 | 132273 | Bracket Asm. Noseroller RH |
| 9 | 10030600 | Washer, Lock | 101 | 136420 | Mulcher Cover |
| 10 | 140296 | Washer, Hardened | 102 | 71081010 | Screw |
| 11 | 134149 | Blade, Mulching 42" | 103 | 19061216 | Washer, Flat |
| | 138498 | Blade Mower 42" Hi-Lift | 104 | 10071000 | Washer, Lock |
| 13 | 137645 | Shaft Assembly, Mandrel, Vented | 105 | 160793 | Latch Assembly |
| 14 | 128774 | Housing, Mandrel, Vented | 106 | 2029J | Nut, Weld |
| 15 | 110485X | Bearing, Ball, Mandrel | 111 | 155197X421 | Bracket, Gauge, Wheel LH |
| 16 | 174493 | Stripper, Vented Mower Deck | 112 | 155198X421 | Bracket, Gauge, Wheel RH |
| 18 | 72140505 | Bolt, Carriage 5/16-18 x 5/8 | 113 | 17060514 | Screw Tapping 5/16-18 Unc |
| 19 | 132827 | Bolt, Shoulder | 114 | 73510500 | Nut, Keps 5/16 - 18 UNC |
| 20 | 159770 | Baffle, Vortex | 115 | 72110504 | Bolt, Carriage 5/16-18 x 1/2 |
| 21 | 73680500 | Nut | 116 | 4898H | Bolt, Shoulder |
| 22 | 134753X421 | Stiffener Bracket | 117 | 165746 | Wheel, Gauge |
| 23 | 131267X421 | Bracket, Deflector Mower 42" | 118 | 73930600 | Nut Centerlock 3/8-16 |
| 24 | 105304X | Cap, Sleeve 80 x 112 Blk Mower | 119 | 19121414 | Washer 3/8 x 7/8 x 14 Ga. |
| 25 | 123713X | Spring, Torsion, Deflector 2 52 | 121 | 173986 | Bracket, Extruded |
| 26 | 110452X | Nut, Push Phos & Oil | 142 | 165890X421 | Arm Spring Brake Mower |
| 27 | 130968X428 | Shield, Deflector 42" Blk | 143 | 157109X421 | Bracket Arm Idler 42" |
| 28 | 19111016 | Washer 11/32 x 5/8 x 16 Gauge | 144 | 173441 | Keeper Belt 42" Clutch Cable |
| 29 | 131491 | Rod, Hinge 42" 6 75 W/G | 145 | 173437 | Pulley Idler Flat |
| 30 | 157722 | Screw Thdrol Washer Head | 146 | 173443 | Bolt Carriage Idler |
| 31 | 129963 | Washer, Spacer Mower Vented | 147 | 131335 | Spring Extension |
| 32 | 173436 | Pulley, Mandrel | 148 | 169022 | Spring Return Idler |
| 33 | 137266 | Nut, Toplock 9/16 | 149 | 165898 | Retainer Spring Yellow |
| 34 | 72110614 | Bolt | 150 | 19091216 | Washer 9/32 x 3/4 x 16 Ga. |
| 35 | 133835 | Fastener, Christmas Tree | 151 | 169670 | Bracket Clutch Cable |
| 36 | 173438 | Pulley, Idler, Flat | 152 | 169676 | Clutch Cable 42" |
| 37 | 19131316 | Washer 13/32 x 13/16 x 16 Gauge | 153 | 169674 | Washer Flat 3/8" Type B |
| 40 | 73680600 | Nut | 154 | 169675 | Spring Retainer |
| 44 | 140088 | Guard, Mandrel, LH | 155 | 169671 | Spring Retention LVR CLTCH CAB |
| 45 | 4497H | Retainer | 156 | 169672 | Spacer Clutch Cable |
| 46 | 137729 | Screw, Thdrol 1/4-20 x 5/8 T | 157 | 169669 | Rod Clutch Cable 3/8" |
| 48 | 133944 | Washer, Hardened | 158 | 17720410 | Screw Hex Thd Cut 1/4-20 x 5/8 |
| 49 | 174284 | Roller Assembly, Cam Follower | 159 | 72140614 | Bolt Rdhd Sqn 3/8-16 UNC x 1-3/4 |
| 50 | 131340 | Bolt, Shoulder #10-24 Grade 5 | -- | 130794 | Mandrel Assembly (Includes Key Numbers 8-10, 13-15, 31 and 33) |
| 51 | 69180 | Locknut | -- | 172559 | Mower Deck, Complete (Standard Deck - Order separately mulcher plate and gauge wheel components Key Nos. 101-106, and 111-121) |
| 52 | 139888 | Bolt, Shoulder 5/16-18 UNC | | | |
| 53 | 131845 | Arm Assembly, Pad, Brake | | | |
| 54 | 133943 | Washer, Hardened | | | |
| 55 | 155046X421 | Arm, Idler | | | |
| 56 | 122052X | Spacer, Retainer | | | |
| 59 | 173442 | Guard TUV Idler | | | |
| 67 | 171598 | Knob | | | |

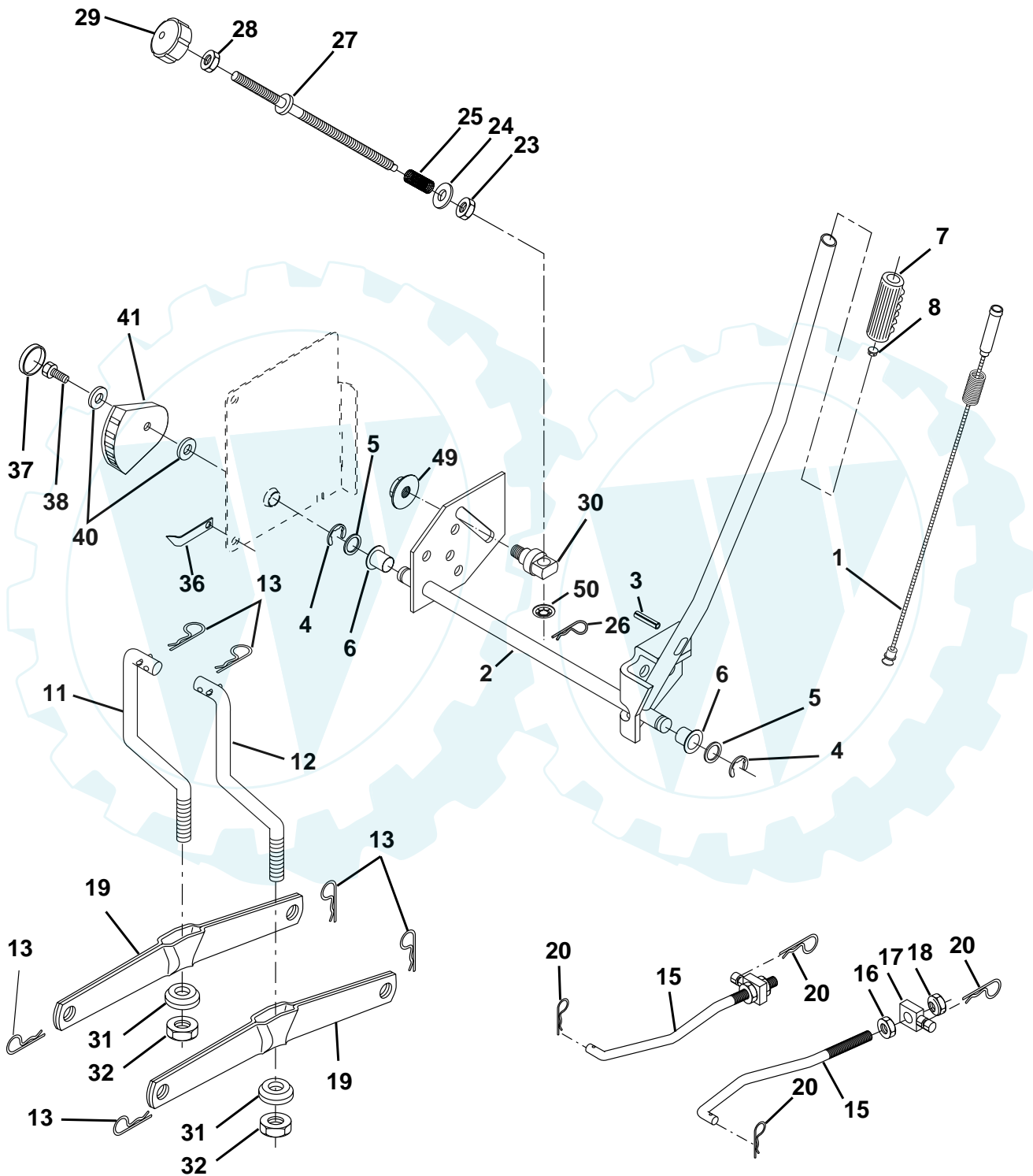
NOTE: All component dimensions given in U.S. inches
1 inch = 25.4 mm

REPAIR PARTS

www.ersatzteil-service.de

TRACTOR - - MODEL NUMBER PRK17G42STA

MOWER LIFT



TRACTOR - - MODEL NUMBER PRK17G42STA

MOWER LIFT

| KEY NO. | PART NO. | DESCRIPTION |
|---------|----------|----------------------------------|
| 1 | 159460 | Wire Asm Inner/Sprg W/plunger LT |
| 2 | 159471 | Shaft Asm Lift RH w/Inf |
| 3 | 105767X | Pin Groove 1 500 Zinc |
| 4 | 12000002 | E Ring #5133-62 |
| 5 | 19211621 | Washer 21/32 X 1 X 21 Ga |
| 6 | 120183X | Bearing Nylon Blk 629 Id |
| 7 | 125631X | Grip Handle |
| 8 | 170770 | Button Plunger Yellow |
| 11 | 139865 | Link Lift LH Fixed Length |
| 12 | 139866 | Link Lift RH Fixed Length |
| 13 | 4939M | Retainer Spring |
| 15 | 173288 | Link Front |
| 16 | 73350800 | Nut Jam Hex 1/2-13 Unc |
| 17 | 130171 | Trunnion Blk Zinc |
| 18 | 73800800 | Nut Lock w/Wsh 1/2-13 Unc |
| 19 | 139868 | Arm Suspension Rear |
| 20 | 163552 | Retainer Spring |
| 23 | 110807X | Nut Special |
| 24 | 19131016 | Washer 13/32 X 5/8 X 16 Ga |
| 25 | 2876H | Spring 2-1/8" |
| 26 | 169484 | Retainer Clip |
| 27 | 126971X | Rod Adj Lift Zinc 7.49 Wrk Lg |
| 28 | 73350600 | Nut Hex Jam 3/8-16 Unc |
| 29 | 138057 | Knob Inf 3/8-16 Unc Blk W/sym |
| 30 | 150233 | Trunnion Infin Height |
| 31 | 169865 | Bearing Pvt Lift |
| 32 | 73540600 | Nut Crownlock 3/8 - 24 |
| 36 | 155097 | Pointer Height Indicator |
| 37 | 123935X | Plug Hole Blk 1.485/1.515 Dia. |
| 38 | 17060516 | Screw Thdrol 5/16-18 x 1 |
| 40 | 19112410 | Washer 11/32 x 1-1/2 10 Ga. |
| 41 | 155098 | Indicator Height STLT |
| 49 | 145212 | Nut Hex Flange Lock |
| 50 | 110452X | Nut PUSh Phos & Oil |

NOTE: All component dimensions given in U.S. inches
1 inch = 25.4 mm