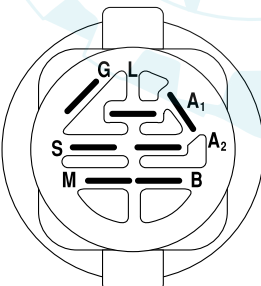
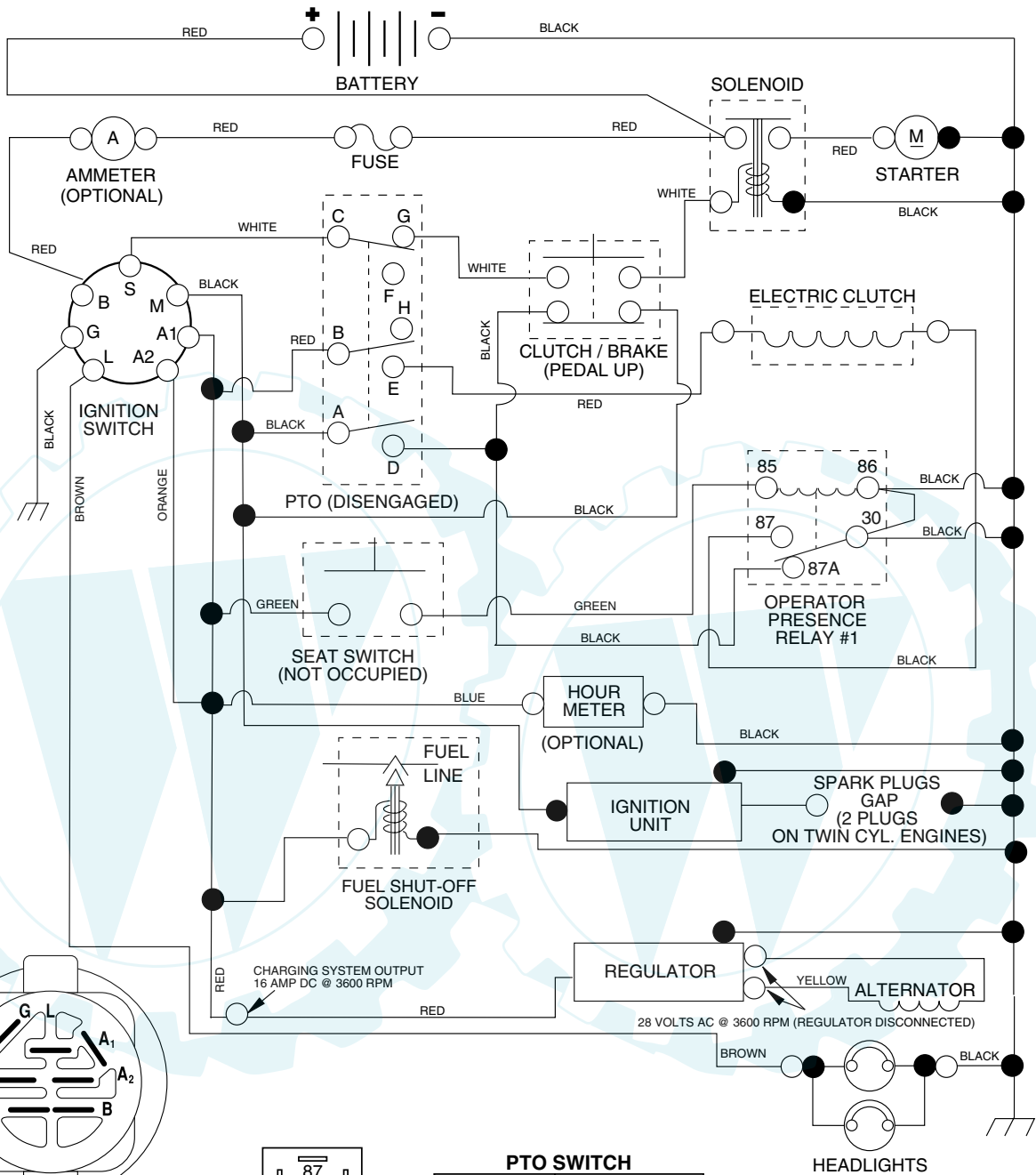


TRACTOR - MODEL NUMBER PRGT22H48A

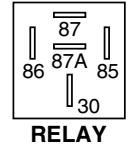
SCHEMATIC



IGNITION SWITCH

POSITION	CIRCUIT	"MAKE"
OFF	M + G + A1	NONE
ON + LIGHTS	B + A1	L + A2
ON	B + A1	NONE
START	B + S + A1	NONE

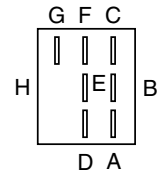
WIRING INSULATED CLIPS
NOTE: IF WIRING INSULATED CLIPS WERE REMOVED FOR SERVICING OF UNIT, THEY SHOULD BE REPLACED TO PROPERLY SECURE YOUR WIRING.



RELAY

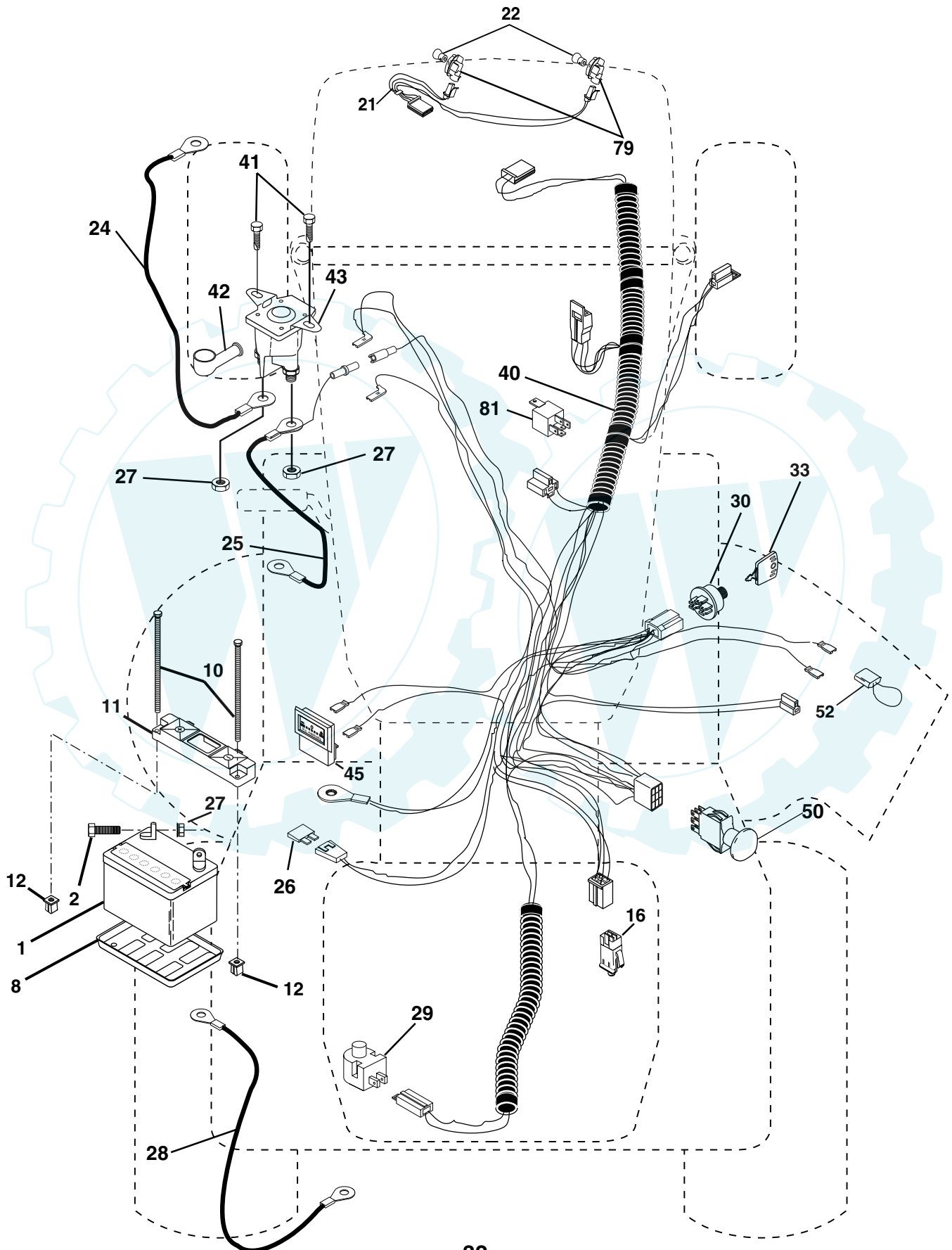
PTO SWITCH

POSITION	CIRCUIT
OFF	C + G, B + H
ON	C + F, B + E, A + D



TRACTOR - - MODEL NUMBER PRGT22H48A

ELECTRICAL



TRACTOR - - MODEL NUMBER PRGT22H48A

ELECTRICAL

KEY NO.	PART NO.	DESCRIPTION
1	144926	Battery
2	74760412	Bolt Hex Head 1/4-20 x 3/4
8	7603J	Tray, Battery
10	145211	Bolt Btr Frt 1/4-20 X 7.5 zinc
11	150109	Holdown Battery Front Mount
12	145769	Nut Push Nylon 1/4"
16	153664	Switch Interlock Push-In
21	166184	Harness Headlight
22	4152J	Bulb Light
24	4206J	Cable, Battery
25	146149	Cable, Battery
26	108824X	Fuse
27	73510400	Nut Keps Hex 1/4-20 Unc
28	170697	Cable, Ground
29	160784	Switch, Plunger
30	175566	Switch, Ign
33	140401	Key
40	170238	Harness, Ignition
41	17720408	Screw 1/4-20 x 1/2
42	131563	Cover, Terminal Red
43	178861	Solenoid
45	122822X	Ammeter
50	174653	Switch, PTO
52	141940	Protection Wire Loop
79	163996	Socket, Light Bulb
81	109748X	Relay Asm.

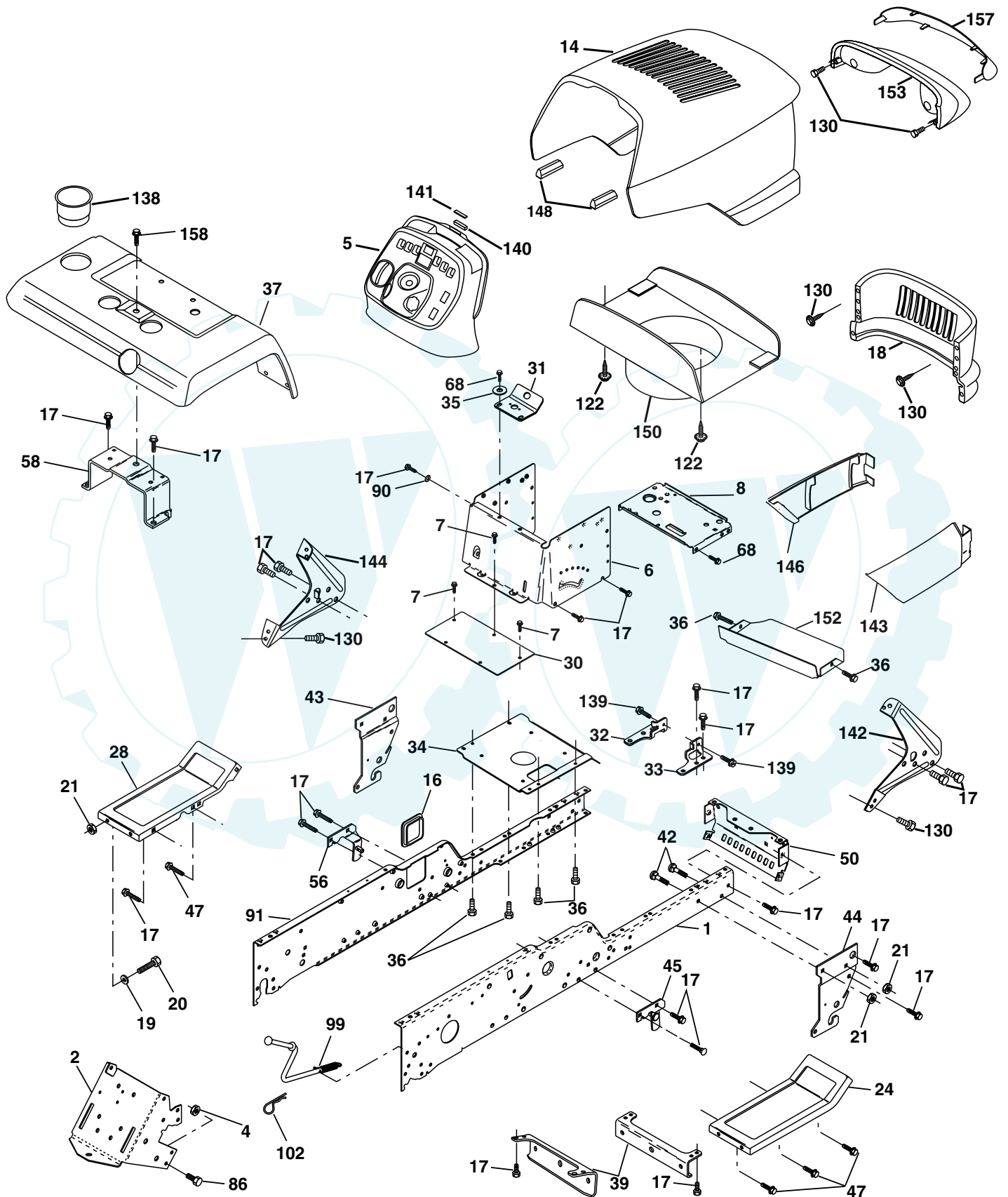
NOTE: All component dimensions given in U.S. inches 1 inch = 25.4 mm

REPAIR PARTS

www.ersatzteil-service.de

TRACTOR - - MODEL NUMBER PRGT22H48A

CHASSIS AND ENCLOSURES



TRACTOR - - MODEL NUMBER PRGT22H48A

CHASSIS AND ENCLOSURES

KEY NO.	PART NO.	DESCRIPTION	KEY NO.	PART NO.	DESCRIPTION
1	175465	Rail, Frame RH	50	175476	Bracket, Chassis Front
2	175282	Drawbar, Gt	56	176016	Bracket Asm., Susp Chassis Lh
4	73680700	Nut, Crownlock 7/16-14Unc	58	175315	Bracket Asm., Fender
5	163976X428	Dash	68	17490508	Screw, Thd 5/16-18 x 1/2
6	157882	Dash Asm., Lower	86	74760716	Bolt, Fin Hex 7/16-14 Unc x 1
7	17720408	Screw, Thd Cut 1/4-20 x 1/2	90	11050600	Washer, Lock External Tooth 3/8
8	145166	Support, Battery	91	175464	Rail, Frame Lh
14	175259X428	Hood Asm., Pnt	99	177143	Rod By Pass
16	121794X	Cover, Access	102	4497H	Retainer, Spring
17	17060612	Screw, 3/8-16 x 3/4	122	161464	Screw Hex Wshd 8-18 x 7/8
18	175289X428	Grille	130	164863	Screw HWHD Hi-Lo #13-16 x 3/4
19	19131312	Washer 13/32 x 13/16 x 12 Ga.	138	163975X428	Cupholder YTG T
20	74760616	Bolt, Fin Hex 3/8-16 x 1	139	171873	Bolt Shoulder 5/16-18 TT
21	73680600	Nut, Crownlock 3/8-16 Unc	140	163806	Magnet YTG T
24	145243X428	Footrest, RH	141	163805	Stricker Plate YTG T
28	145244X428	Footrest, LH	142	161897	Bracket Dash RH
30	145052	Saddle, Hydro 1995	143	169847X428	Skirt Grill RH
31	161419	Bracket, Supt 1-pc VGT Steering	144	161900	Bracket Dash LH
32	161327	Bracket, Pivot Chassis LH	146	169848X428	Skirt Grill LH
33	161326	Bracket, Pivot Chassis RH	148	164655	Extrusion Bumper
34	177018	Plate Asm. Engine Chassis	150	161237	Duct Heat Hood
35	19111116	Washer 11/32 x 11/16 x 16 Ga.	152	177956	Shield Browning
36	17060512	Screw 5/16-18 x 3/4	153	160568	Lens, Asm Headlight bar
37	167287X428	Fender, Pnt.	157	161840	Lens, Bar
39	175278	Bracket, Axle Front	158	17670608	Screw Thdrol 3/8-16 x 1/2
42	72140608	Bolt, Carriage 3/8-16 x 1			
43	136939	Bracket, Spnsn Front Lh			
44	136940	Bracket, Spnsn Front Rh			
45	176018	Bracket Asm., Susp Chassis Rh			
47	17490608	Screw Thdrol 3/8-16 x 1/2 TYT			

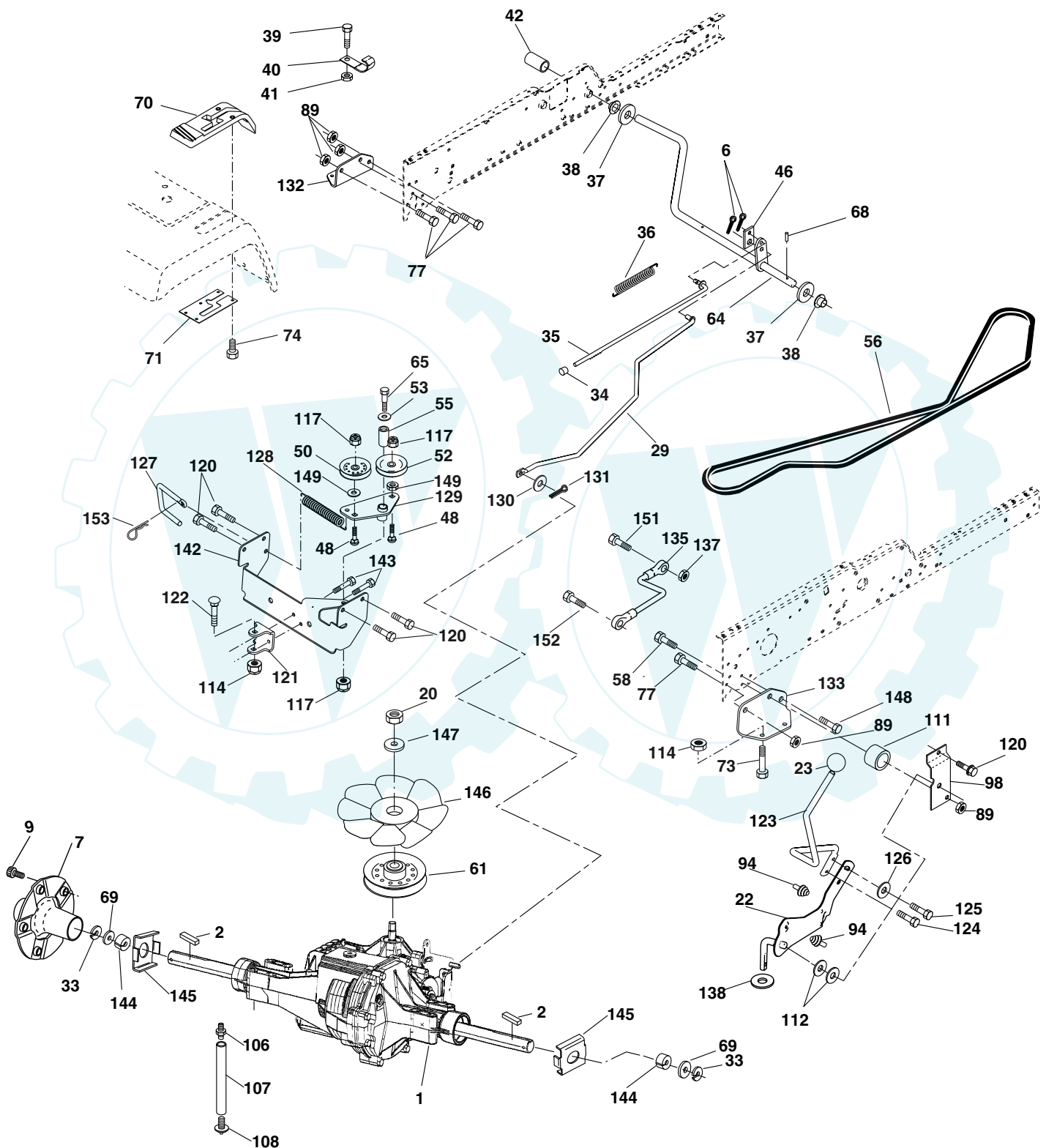
NOTE: All component dimensions given in U.S. inches
1 inch = 25.4 mm

REPAIR PARTS

www.ersatzteil-service.de

TRACTOR - - MODEL NUMBER PRGT22H48A

GROUND DRIVE



TRACTOR - - MODEL NUMBER PRGT22H48A

GROUND DRIVE

KEY NO.	PART NO.	DESCRIPTION	KEY NO.	PART NO.	DESCRIPTION
1	-----	Transaxle Hydro Gear 331-3000 (Order Parts From Transaxle Manufacturer)	94	133835	Fastener Christmas Tree
2	9396E	Key Sq. 1/4 x 1/4 x 2	98	141004	Bracket Shift
6	76020412	Pin, Cotter	106	142918	O-Ring Asm Hydro Gear
7	140507	Wheel, Hub Assembly	107	154739	Line Fuel Hydro 15" VGT
9	140080	Bolt, Hub	108	142917	Cap Asm Vent Hydro Gear
20	73940800	Nut	111	156240	Spacer Shift Lever VGTH
22	178391	Lever Asm Shift	112	156104	Washer Nylon High Temp
23	140845	Knob	114	73800500	Nut Lock Hex W/Ins 5/16-18 Unc
29	176600	Brake, Rod	117	73900600	Nut, Lock Flg. 3/8-16
33	12000053	Ring E	120	17060612	Screw 3/8-16 x .75
34	71673	Cap, Parking Brake	121	175611	Bracket Strap Torque
35	137648	Rod, Parking Brake	122	72010520	Bolt 5/16-18 x 2.50
36	149412	Spring, Drive Ground	123	176602	Rod Shift
37	121749X	Washer 25/32 x 1-1/4 x 16 Ga.	124	165492	Bolt Shoulder 5/16-18 x .561
38	150035	Nyliner	125	166880	Screw 5/16-18 x 5/8
39	74321016	Screw, Fin. #10-24 x 1	126	166002	Washer SRRTD 5/16 ID x 1.0 x .125
40	178575	Actuator, Interlock Switch	127	177362	Link Control Clutch
41	73931000	Nut Centerlock 10-24 Unc	128	176624	Spring Drive GRND
42	8883R	Cover, Pedal	129	178588	Bracket Asm Idler Tensioning
46	145170	Retainer, Spring	130	19131016	Washer 13/32 x 5/8 x 16 Ga.
48	72110614	Bolt Carr. Shoulder 3/8-16 x 1-3/4 Gr. 5	131	76020312	Pin Cotter 3/32 x 3/4
50	131494	Pulley, Idler, Flat	132	175467	Bracket Mtg Hydro 3500 LH VGT
52	127783	Pulley, Idler, Grooved	133	175468	Bracket Mtg Hydro 3500 RH VGT
53	207J	Washer, Hardened	135	177364	Link Asm Control Hydro 3500
55	105706X	Bearing, Idler	137	1685H	Nut Lock 5/16-18 NC Thd.
56	161597	V-Belt	138	1370H	Washer Thrust 5/8 x 1.10 x 1/32
58	74760724	Bolt Fin Hex 7/16-14 x 1-1/2	142	175469	Strap Torque HG-3500
61	143995	Pulley, Transaxle	143	17060512	Screw 5/16-18 x 3/4
64	176601	Shaft, Brake Pedal	144	160849	Washer Spacer Axle HG-3000
65	67609	Bolt, Shoulder	145	163168	Washer Axle Flange HG-3000
68	5142H	Pin, Roll	146	140462	Fan 7" Hydro
69	123800	Washer	147	141322	Washer
70	164892X428	Console Shift	148	17060616	Screw 3/8-16 x 1.0
71	151179	Plate Console Shift	149	19131410	Washer 13/32 x 7/8 x 10 Ga.
73	74490548	Bolt Hex Flghd 5/16-18 x 3 Gr5	151	74760514	Bolt Fin Hex 5/16-18 x 7/8
74	142432	Screw Hex Wsh. Hi-Lo 1/4-1/2	152	178705	Bolt Hex 5/16-18 x 1
77	74760716	Bolt Fin Hex 7/16-14 x 1	153	4497H	Spring Retainer
89	73680700	Nut Crownlock 7/16-14 Unc			

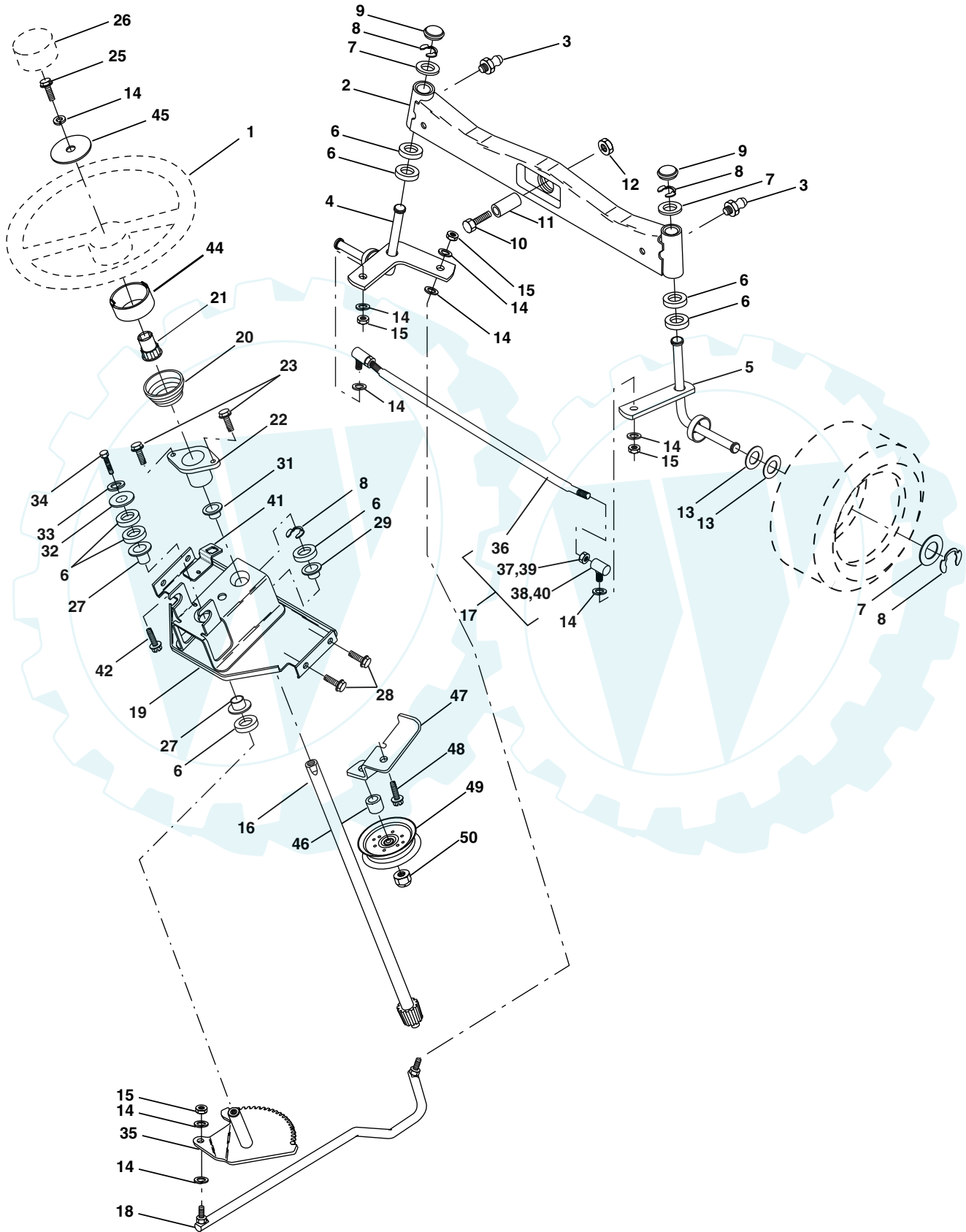
NOTE: All component dimensions given in U.S. inches
1 inch = 25.4 mm

REPAIR PARTS

www.ersatzteil-service.de

TRACTOR - - MODEL NUMBER PRGT22H48A

STEERING ASSEMBLY



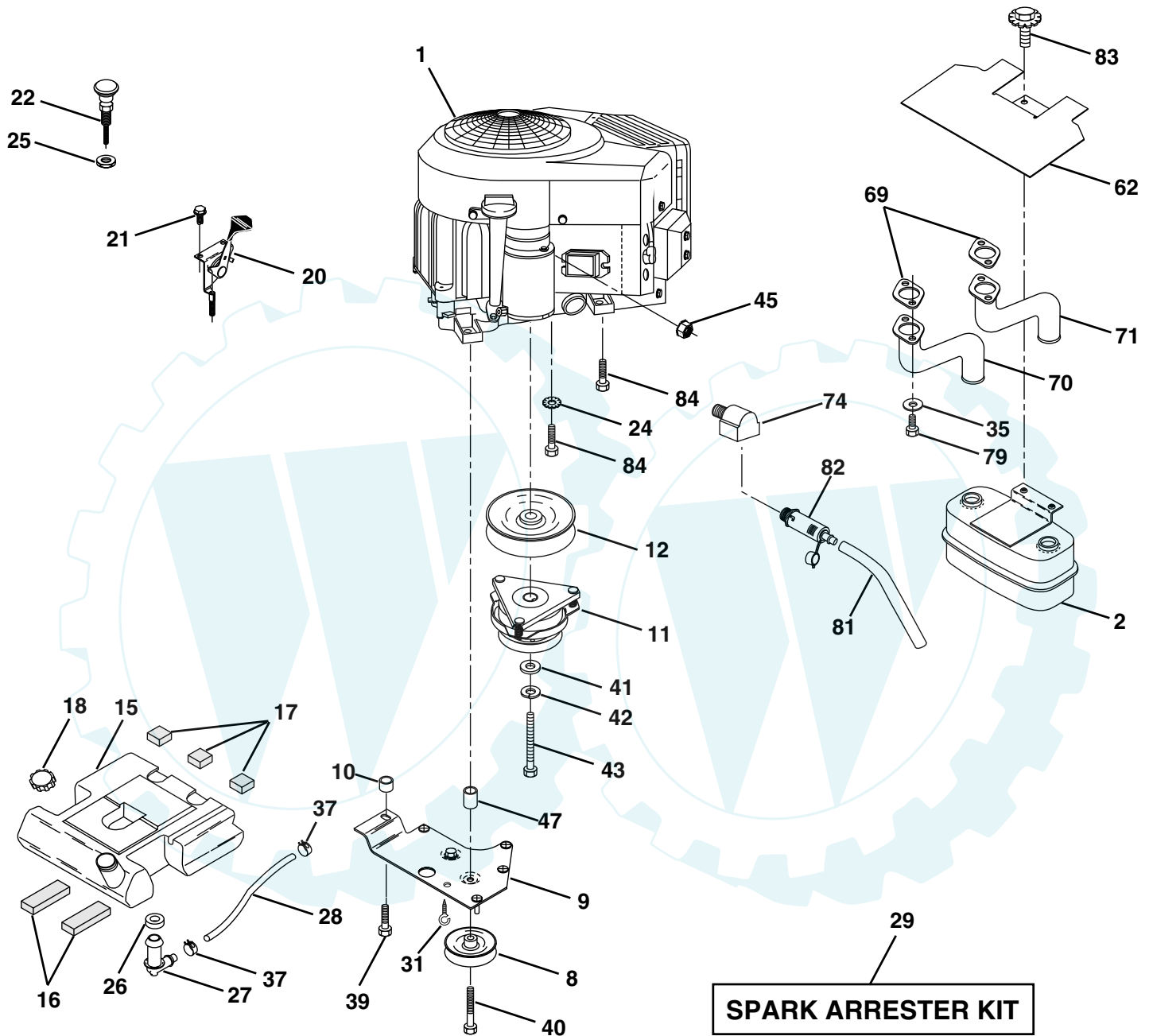
TRACTOR - - MODEL NUMBER PRGT22H48A

STEERING ASSEMBLY

KEY NO.	PART NO.	DESCRIPTION
1	159944X428	Wheel, Steering
2	178557	Axle Asm., Front
3	6855M	Fitting, Grease
4	161849	Spindle Asm, LH
5	161848	Spindle Asm., RH
6	6266H	Bearing, Race Thrust Harden
7	121748X	Washer 25/32 x 1-5/8 x 16 Ga.
8	12000029	Ring, Klip #T5304-75
9	121232X	Cap, Spindle
10	74781044	Bolt, Fin Hex 5/8-11 x 2-3/4
11	136518	Spacer, Brg. Axle Front
12	73901000	Nut, Lock Flange 5/8-11 Unc
13	121749X	Washer 25/32 x 1-1/4 x 16 Ga.
14	10040600	Washer, Lock Hvy Hlcl Spr 3/8
15	7810H	Nut Lock Center 3/8-24 Unf
16	145103	Shaft Asm., Steering
17	137347	Rd Asm. Tie Ball
18	175572	Draglink, Ball Joint Solid Vgt
19	156011	Support Asm., Steering Vgt
20	163887X428	Boot Steering Stealth
21	159945	Adapter, Wheel Steering
22	155105	Bushing, Strg.
23	152927	Screw
25	74780616	Bolt, Fin Hex 3/8-16 x 1 Gr. 5
26	159946X428	Insert Cap Strg WH
27	3366R	Bearing, Col. Strg.
28	17000612	Screw Hexwsh thdr 3/8-16 x 3/4
29	104239X	Bearing, Flange
31	138136	Bushing, Nyliner Snap
32	19111610	Washer 11/32 x 1 x 10 Ga.
33	10040500	Washer, Lock Hvy Hlcl Spr 5/16
34	74780512	Bolt, Hex Hd 5/16-18 x 3/4
35	138059	Gear, Sector Steering
36	137156	Tie Rod
37	73360600	Nut Hex Jam 3/8-24 Unf
38	109850X	Joint Asm. Ball RH Service
39	73700600	Nut Hex Jam 3/8-24 Unf LH
40	109851X	Joint Asm. Ball LH Service
41	155246	Bracket Switch Interlock Vgt 97
42	17490508	Screw Thdrol 5/16-18 x 1/2 Tyt
44	160135X428	Extension Steering
45	19132411	Washer 13/32 x 1-1/2 x 11 Ga.
46	178291	Spacer
47	177863	Bracket Asm. Idler Stationary
48	17060612	Screw 3/8-16 x .75
49	131494	Pulley Idler Flat
50	73900600	Nut Lock Flg. 3/8-16 Unc

NOTE: All component dimensions given in U.S. inches
1 inch = 25.4 mm

ENGINE



TRACTOR - - MODEL NUMBER PRGT22H48A

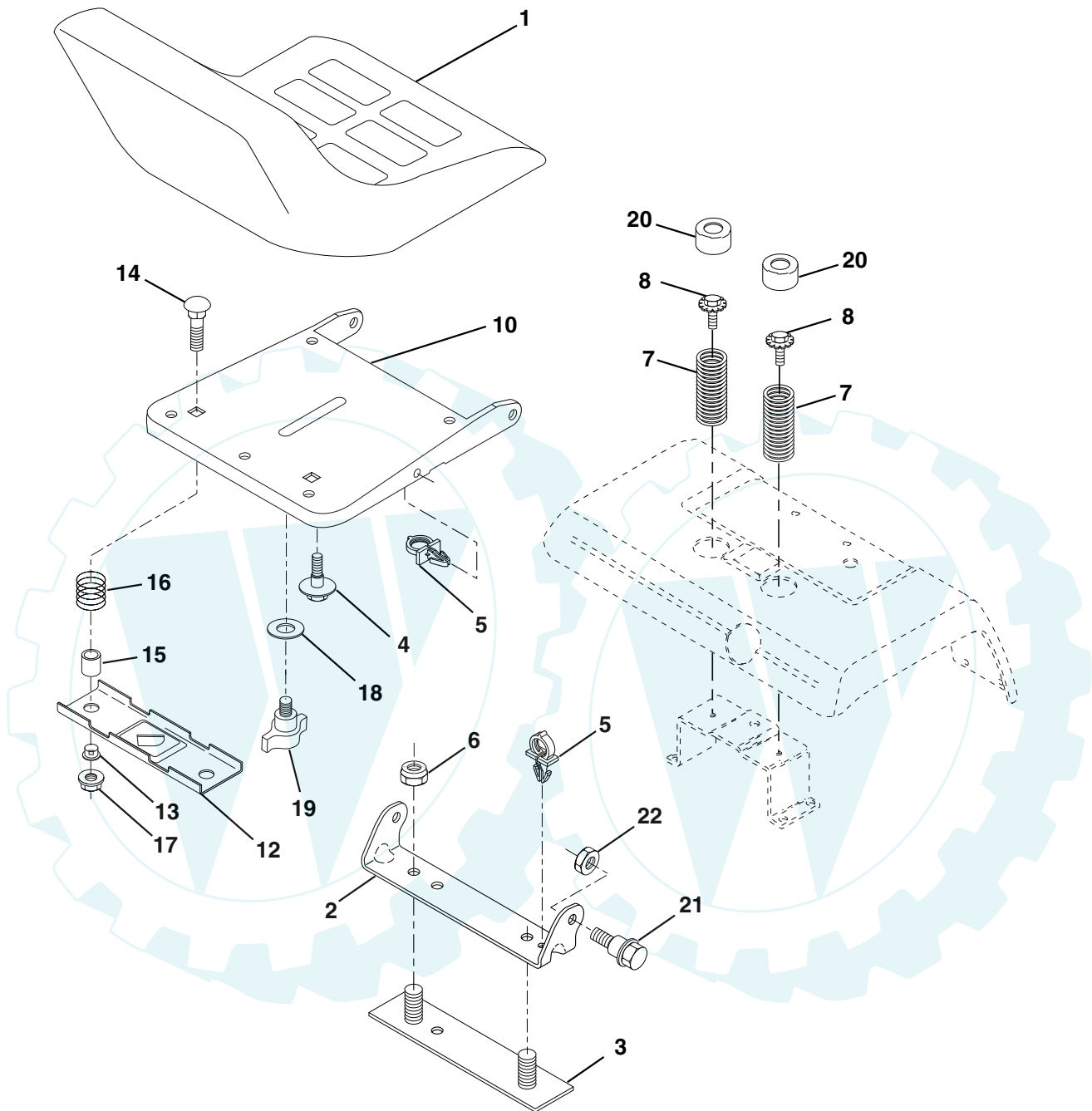
ENGINE

KEY NO.	PART NO.	DESCRIPTION
1	-----	Engine Briggs, Model No. 407777 (Order parts from engine manuf.)
2	149723	Muffler Side
8	121361X	Pulley V-Idler
9	177748	Keeper Asm. Belt Engine VGT
10	175287	Bushing
11	174605	Clutch Electric
12	143996	Pulley Engine VGT Elect Clutch
15	151346	Tank Fuel Rear 3.50
16	109227X	Pad Spacer
17	106082X	Pad Spacer
18	140527	Top Vented N/LANY
20	175437X428	Control Throttle
21	164863	Screw Hex Thd Cut 1/4 - 20 X 5/8
22	175440X428	Control Choke
24	11050600	Washer Ext Tooth 3/8
25	73920600	Nut Keps 3/8-24 Unf
26	3645J	Bushing
27	139277	Stem Tank Fuel
28	7834R	Fuel Line
29	137180	Spark Arrester Kit
31	145006	Clip
35	10040500	Washer
37	123487X	Clamp Hose
39	17490636	Screw TT 3/8-16 x 2-1/4 UNC
40	17490664	Screw TT 3/8-16 x 4 UNC
41	126197X	Washer 1-1/2 OD X 15/32 ID X .250
42	10040700	Washer Lock 7/16
43	173937	Bolt Hex 7/16-20 X 4 Gr. 5
45	73510400	Nut Keps Hex 1/4-20
47	175288	Spacer
62	146629	Shield Heat Muffler CV-Intek
69	165391	Gasket
70	176069	Tube Exhaust LH
71	176070	Tube Exhaust RH
74	162295	Elbow Street Brass
79	71070512	Screw Hex Hd Cap 5/16-18 x 3/4
81	148456	Tube Drain Oil Easy
82	148315	Plug Oil Drain Easy
83	171877	Bolt 5/16-18unc X 1-3/4 W/Sems
84	17490624	Screw Thdrol 3/8-16 x 1-1/2

NOTE: All component dimensions given in U.S. inches
1 inch = 25.4 mm

TRACTOR - - MODEL NUMBER PRGT22H48A

SEAT ASSEMBLY



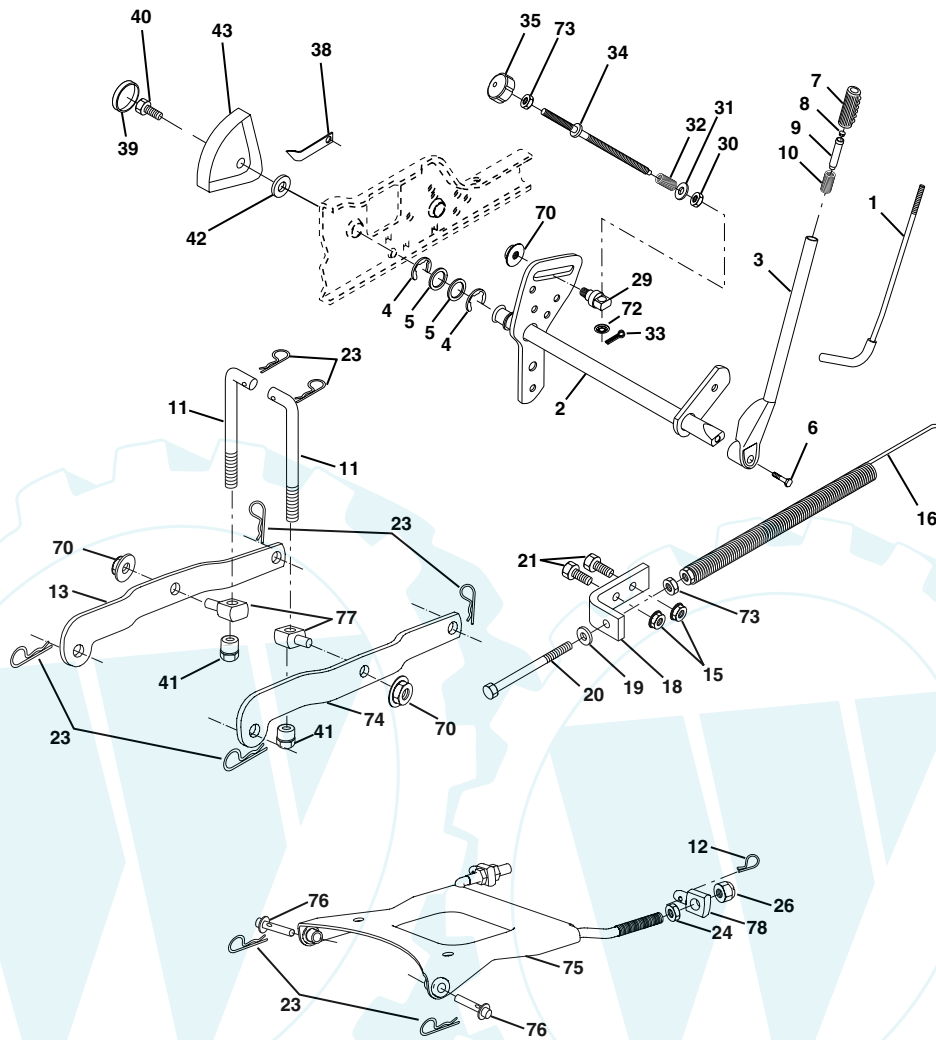
KEY NO.	PART NO.	DESCRIPTION
1	173818	Seat
2	140551	Bracket, Pivot Seat
3	140675	Strap, Fender Asm.
4	127018X	Bolt, Shoulder 5/16-18 x .62
5	145006	Clip, Push-In Hinged
6	73800600	Nut, Crownlock 3/8-16
7	124181X	Spring, Seat Cprsn.
8	171877	Bolt 5/16-18 UNC x 3/4 w/Sems
10	174894	Pan, Seat
12	121246X	Bracket, Mounting Switch
13	121248X	Bushing, Snap
14	72050412	Bolt, Carriage 1/4-20 x 1-1/2

KEY NO.	PART NO.	DESCRIPTION
15	121249X	Spacer, Split
16	123740X	Spring, Cprsn.
17	123976X	Nut, Lock 1/4 Lg. Flg. Gr. 5
18	19171912	Washer 17/32 x 1-3/16 x 12 Ga.
19	166369	Knob, Seat
20	124238X	Cap, Spring Seat Blk
21	171852	Bolt 5/16-18 Unc-2A
22	73800500	Nut, Crownlock 5/16-18

NOTE: All component dimensions given in U.S. inches
1 inch = 25.4 mm

TRACTOR - - MODEL NUMBER PRGT22H48A

LIFT ASSEMBLY

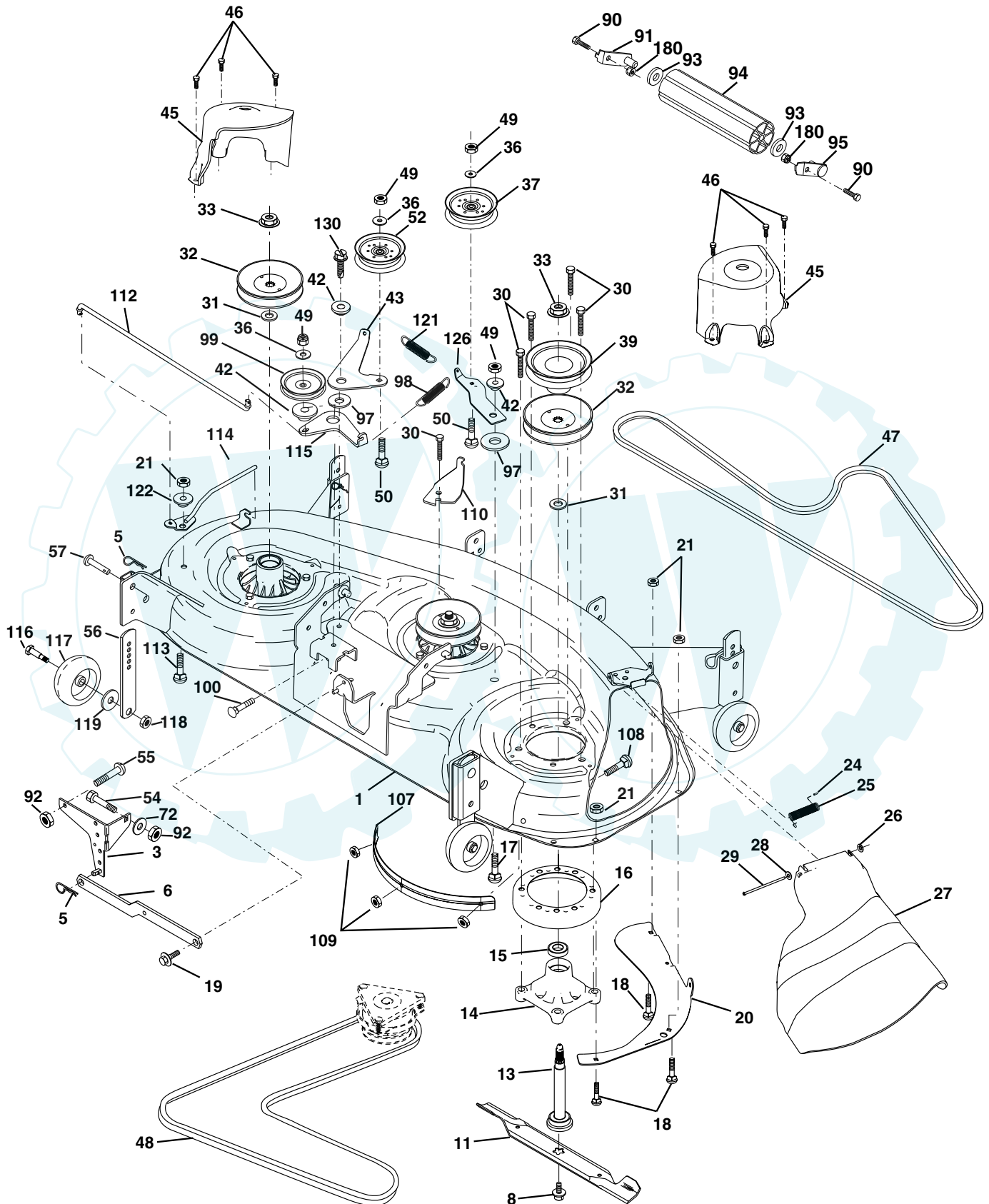


KEY NO.	PART NO.	DESCRIPTION	KEY NO.	PART NO.	DESCRIPTION
1	121006X	Rod Asm., Lever	31	19131016	Washer 13/32 x 5/8 x 16 Ga.
2	177535	Shaft Asm., Lift Vgt	32	137150	Spring, Compression Inf Hgt
3	159189	Lever Asm., Lift Rh	33	76020308	Pin, Cotter 3/32 x 1/2
4	12000022	E-Ring Truarc #5133-87	34	137167	Rod, Adj Lift
5	19292016	Washer 29/32 x 1-1/4 x 16 Ga.	35	138057	Knob, Inf 3/8-16 Unc
6	71110624	Bolt, Fin Hex 3/8-16 x 1-1/2	38	155097	Pointer, Height Indicator
7	125631X	Grip, Handle Fluted	39	123935X	Plug, Hole
8	170770	Button, Plunger	40	17060516	Screw 5/16-18 x 3/4
9	122364X	Plunger, Lever Lift	41	175994	Nut, Lift Link 7/16-20
10	2876H	Spring 2-1/8"	42	19112410	Washer 11/32 x 1-1/2 x 10 Ga.
11	175375	Link Lift	43	123934X	Scale, Indicator Height
12	163552	Retainer, Spring	70	145212	Nut, Hexflange Lock
15	73350600	Nut, Crownlock 3/8-16 Unc	72	110452X	Nut, Push Phos & Oil
16	674A247	Spring Asm., Assist Lift	73	73350600	Nut Hex Jam 3/8-16 Unc
18	143363	Bracket, Spring Assist	74	175802	Arm Susp. Rear RH
19	19131316	Washer 13/32 x 13/16 x 16 Ga.	75	175805	Plate Asm Susp. Front
20	5328J	Bolt, Adjust Spring Assist	76	175560	Pin Flange
21	74760616	Bolt, Fin Hex 3/8-16 x 1	77	176205	Trunnion Susp. Arm
23	4939M	Retainer, Spring	78	175689	Trunnion Susp. Front
24	73350800	Nut, Jam Hex 1/2-13 Unc	79	175378	Arm Susp. Rear LH
26	73680800	Nut, Crownlock 1/2-13 Unc			
29	150233	Trunnion Inf. Height			
30	110807X	Nut, Special			

NOTE: All component dimensions given in U.S. inches
1 inch = 25.4 mm

TRACTOR - - MODEL NUMBER PRGT22H48A

MOWER DECK



TRACTOR - - MODEL NUMBER PRGT22H48A

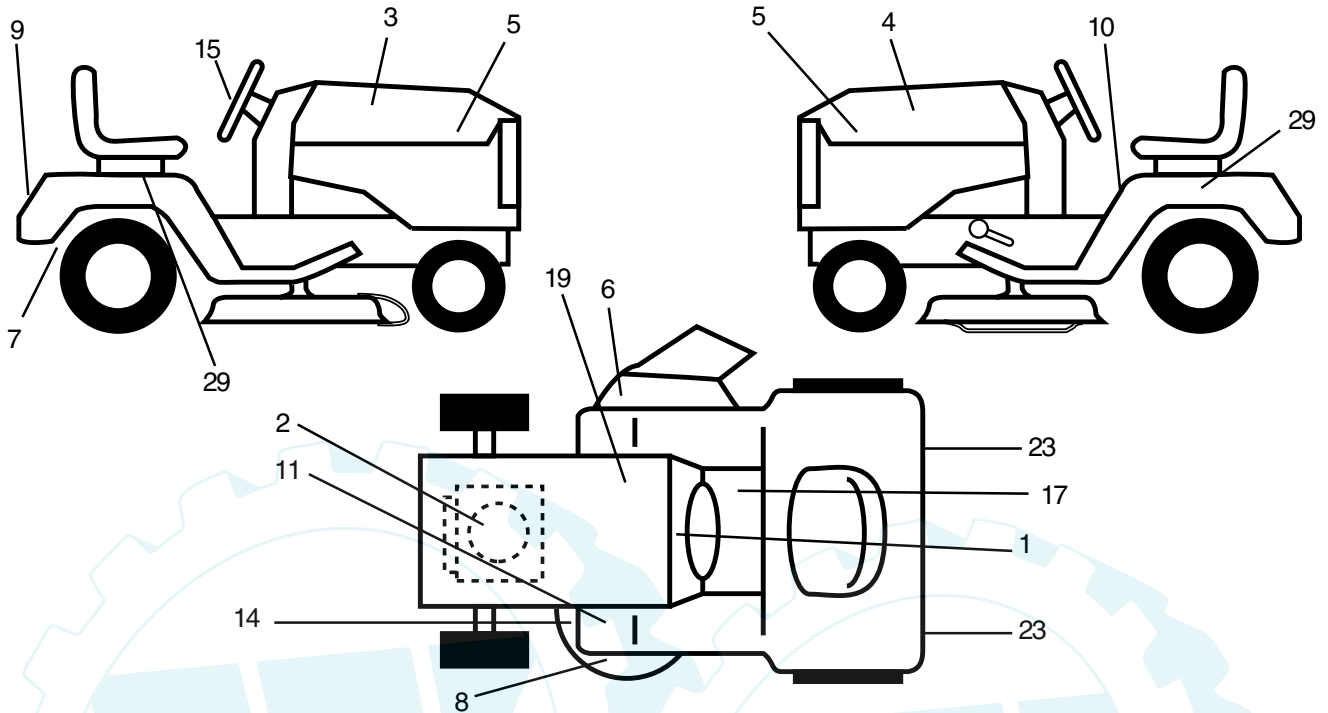
MOWER DECK

KEY NO.	PART NO.	DESCRIPTION	KEY NO.	PART NO.	DESCRIPTION
1	174348	Deck Weldment Mower 48	56	155986	Bar Pnt Adj.
3	178944	Bracket Asm., Sway Bar	57	156941	Pin Head Rivet
5	4939M	Retainer Spring	90	74760516	Bolt Hex HD 5/16-18 x 1
6	130832	Arm, Suspension, Rear (Sway Bar)	91	175384	Bracket Asm N Roller LH
8	174365	Bolt 7/16 Asm. Blade	93	19171416	Washer 17/32 x7/8 x 16 Ga
11	173920	Blade	94	176066	Roller Nose 48"
13	174360	Shaft Asm. w/Lower Bearing	95	175996	Bracket Asm N Roller RH
14	174358	Mandrel Asm.	97	133943	Washer Hardened
15	110485X	Bearing, Ball, Mandrel	98	174370	Spring Primary Drive
16	174493	Stripper Mandrel Deck	99	175080	Pulley Idler"V"
17	72110610	Bolt RDHD Sq Neck 3/8-16 x 1.25	100	72110616	Bolt RDHD Sqnk 3/8-16 UNC x 2
18	72140505	Bolt, Carriage 5/16-18 x 5/8	107	175294	Baffle Vac Edge Mower
19	132827	Bolt, Hex Hd, Shoulder 5/16-18	108	72110404	Bolt Carr.
20	174378	Baffle, Vortex Mower	109	73680400	Nut Crownlock 1/4-20
21	73680500	Nut, Crownlock 5/16-18 UNC	110	175016	Arm Spring Secondary
24	105304X	Cap, Sleeve	112	174387	Link Tension Relief Lever
25	178102	Spring, Torsion	113	72110508	Bolt Carr. 5/16-18 x 1
26	110452X	Nut, Push	114	174384	Tension Asm. Relief Lever
27	174346X428	Deflector Shield	115	174609	Arm Spring Tension Relief
28	19111016	Washer 11/32 x 5/8 x 16 Ga.	116	137644	Bolt, Shoulder
29	131491	Rod, Hinge	117	133957	Gauge Wheel
30	157722	Screw, Thdroll Washer Head	118	73930600	Nut, Centerlock 3/8-16 UNC
31	129963	Washer, Spacer Mower Vented	119	19121414	Washer 3/8 x 7/8 x 14 Ga.
32	177865	Pulley, Mandrel	121	174371	Spring Secondary Drive
33	178342	Nut, Flg. Top Lock Cntr. 9/16	122	174606	Bushing Pivot Tension Relief
36	19131316	Washer 13/32 x 13/16 x 16 Ga.	126	174372	Arm, Idler, Primary Deck
37	177968	Pulley, Idler, Flat	130	17060616	Screw 3/8-16 x 1.0
39	174375	Pulley, Idler, Driven	180	73800500	Nut Lock Hx 5/16-18
42	122052X	Spacer, Retainer	--	176149	Replacement Mower, Complete
43	174373	Arm, Idler Secondary	--	174356	Mandrel Asm. Service (Includes Key Nos. 13-15 and 33)
45	174343	Cover, Mandrel Deck			
46	137729	Screw, Thdroll. 1/4-20 x 5/8			
47	174369	V-Belt, Mower, Secondary			
48	174368	V-Belt, Mower, Primary			
49	73680600	Nut, Crownlock 3/8-16 UNC			
50	72110612	Bolt, Carr. 3/8-16 x 1-1/2 Gr. 5			
52	175820	Pulley Idler Flat			

NOTE: All component dimensions given in U.S. inches
1 inch = 25.4 mm

TRACTOR - - MODEL NUMBER PRGT22H48A

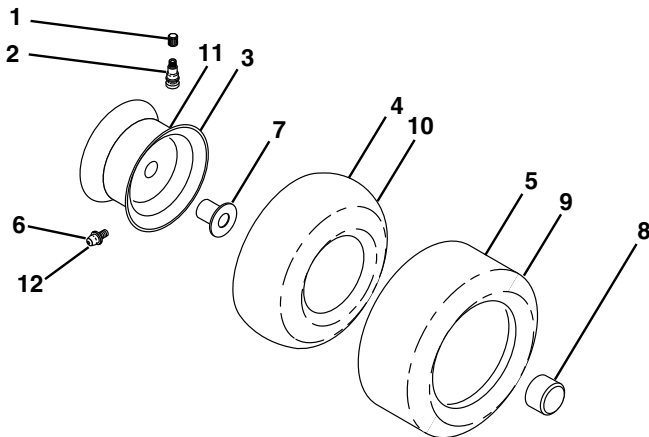
DECALS



KEY NO.	PART NO.	DESCRIPTION
1	164095	Decal, Dash
2	170852	Decal, Engine
3	176272	Decal, Hood, RH
4	176273	Decal, Hood, LH
5	177756	Decal, Hood Sides
6	170563	Decal, Warning
7	166960	Decal, Bypass
8	178502	Decal, Deck Caution
9	172740	Decal
10	157140	Decal, Danger

KEY NO.	PART NO.	DESCRIPTION
11	177782	Ft. Rest
14	175291	Decal, V-Belt Schematic
15	172743	Decal, Ins. Whl. Strg.
17	140837	Decal, Saddle Brake Parking
19	145005	Decal, Battery
23	106202X	Reflector, Taillight
29	176651	Decal, Fender Auto Trans
--	138311	Decal, Handle Lift (Lift Handle)
--	133671	Pad Footrest
--	177925	Manual, Owner's (English)
--	177926	Manual, Owner's (French)

WHEELS & TIRES



KEY NO.	PART NO.	DESCRIPTION
1	59192	Cap, Valve, Tire
2	65139	Stem, Valve
3	106228X421	Rim Assembly, Front
4	8134H	Tube, Front (Service Item Only)
5	106230X	Tire, Front
6	278H	Fitting, Grease (Front Wheel nly)
7	9040H	Bearing, Flange (Front Wheel Only)
8	104757X421	Cap, Axle (Front Wheel Only)
9	105588X	Tire, Rear
10	7154J	Tube, Rear (Service Item Only)
11	106277X421	Rim Assembly, Rear
12	6856M	Fitting, Grease
--	144334	Sealant, Tire (10 oz. Tube)

NOTE: All component dimensions given in U.S. inches
1 inch = 25.4 mm