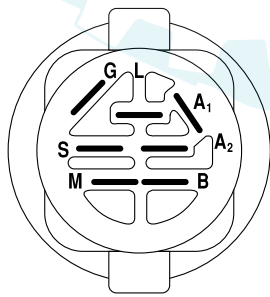
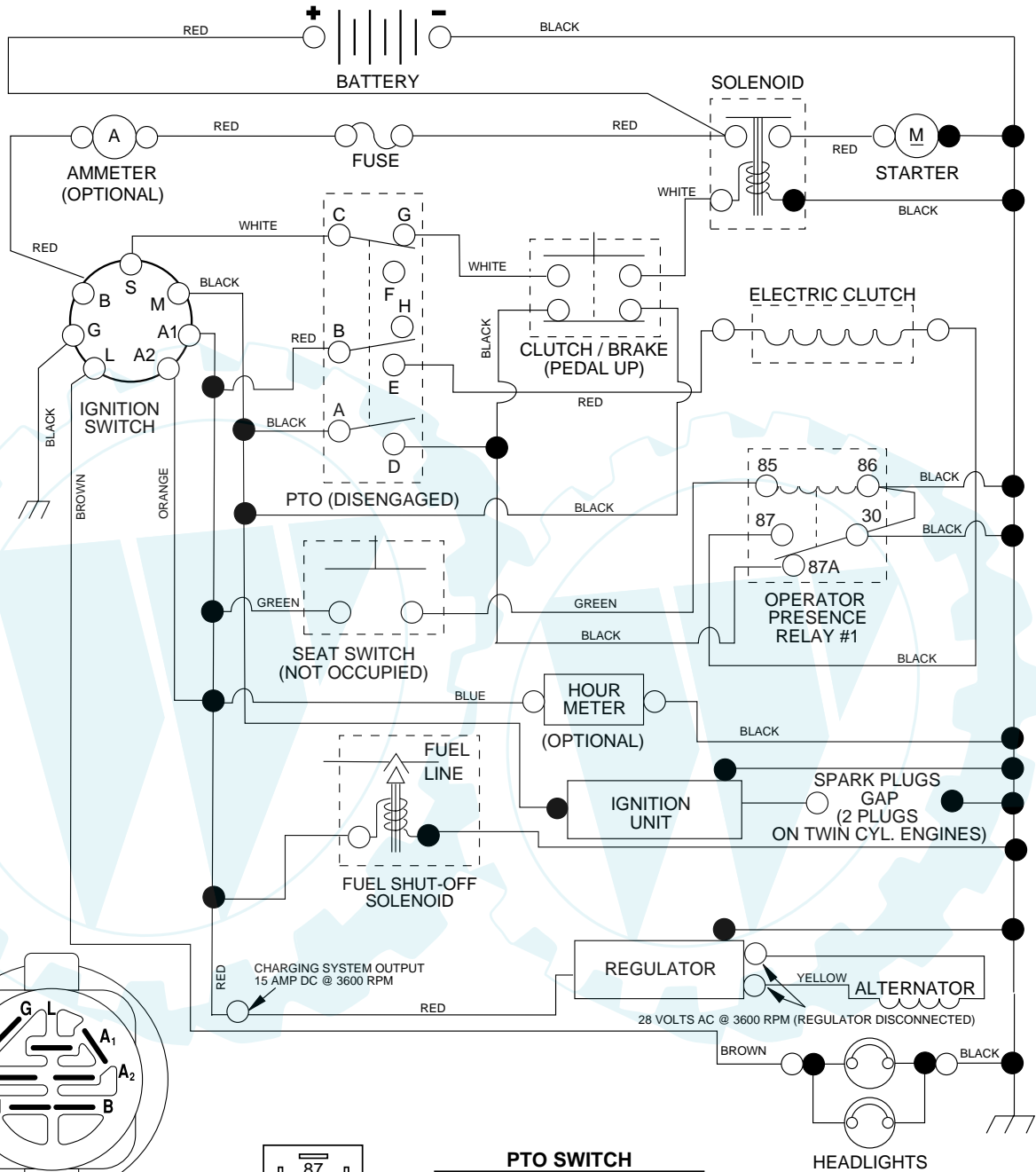


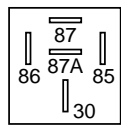
SCHEMATIC



IGNITION SWITCH

POSITION	CIRCUIT	"MAKE"
OFF	M + G + A1	NONE
ON + LIGHTS	B + A1	L + A2
ON	B + A1	NONE
START	B + S + A1	NONE

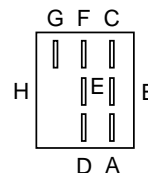
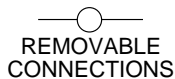
WIRING INSULATED CLIPS
NOTE: IF WIRING INSULATED CLIPS WERE REMOVED FOR SERVICING OF UNIT, THEY SHOULD BE REPLACED TO PROPERLY SECURE YOUR WIRING.



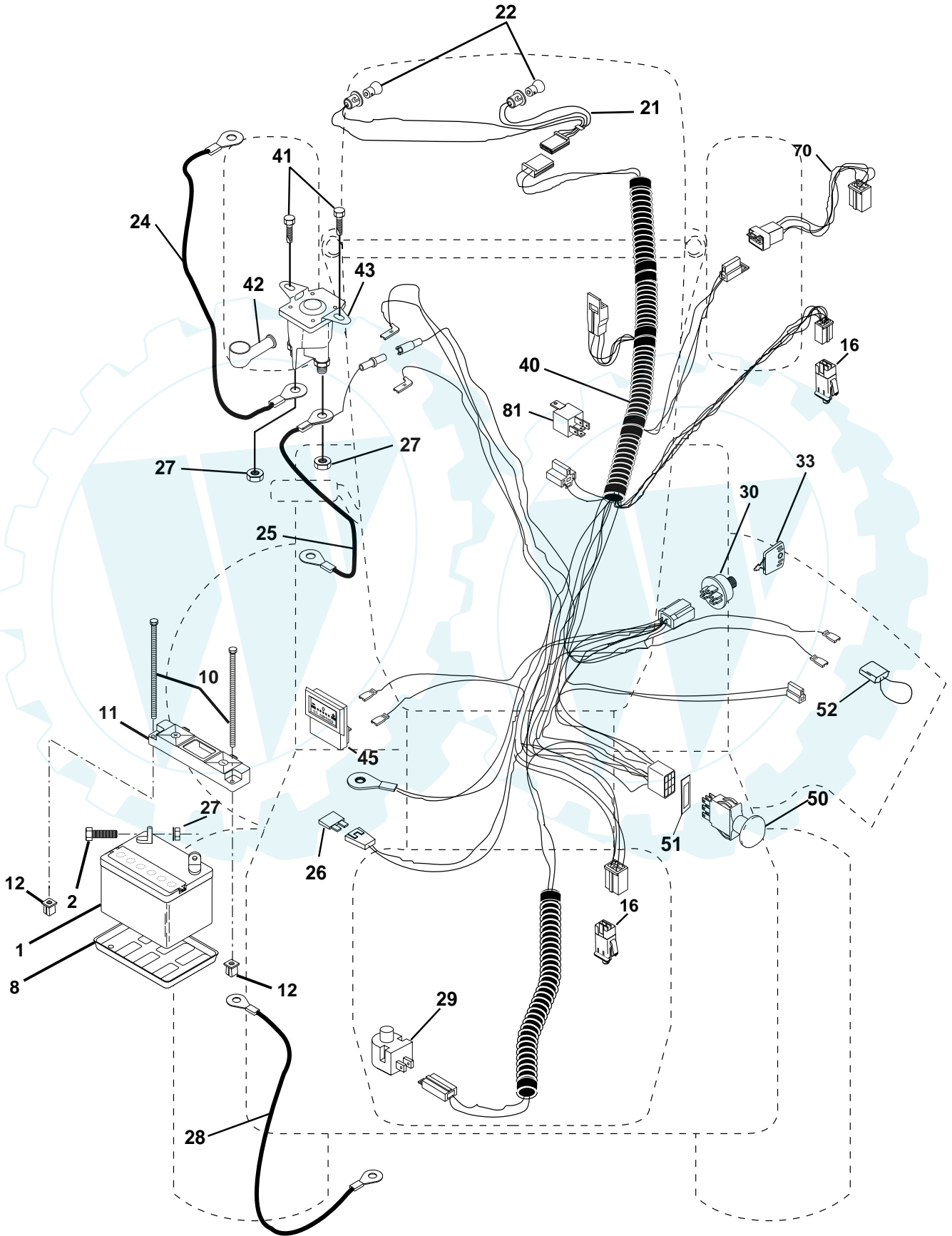
RELAY

PTO SWITCH

POSITION	CIRCUIT
OFF	C + G, B + H
ON	C + F, B + E, A + D



ELECTRICAL



TRACTOR - - MODEL NO. PRGT20H50A

ELECTRICAL

KEY NO.	PART NO.	DESCRIPTION
1	144927	Battery
2	74760412	Bolt Hex Head 1/4-20 x 3/4
8	7603J	Tray, Battery
10	145211	Bolt, Battery Front 1/4-20 x 7.5 Zinc
11	150109	Holddown Battery Front Mount
12	145769	Nut, Push Nylon 1.4" Battery Front
16	153664	Switch Interlock Push-In
21	166182	Harness Socket Light w/4152J
22	4152J	Bulb Light
24	4014J	Cable, Battery
25	146686	Cable, Battery
26	108824X	Fuse
27	73510400	Nut Keps Hex 1/4-20
28	170697	Cable, Ground
29	160784	Switch, Plunger Normal Op Olive
30	163968	Switch, Ign
33	140401	Key
40	170238	Harness Ign.
41	17720408	Screw 1/4-20 x 1/2
42	131563	Cover, Terminal Red
43	145673	Solenoid
45	122822X	Ammeter
50	170057	Switch, PTO
51	140405	Ring Retainer PTO
52	141940	Protection, Wire, Loop
70	170251	Harness Engine
81	109748X	Relay Asm.

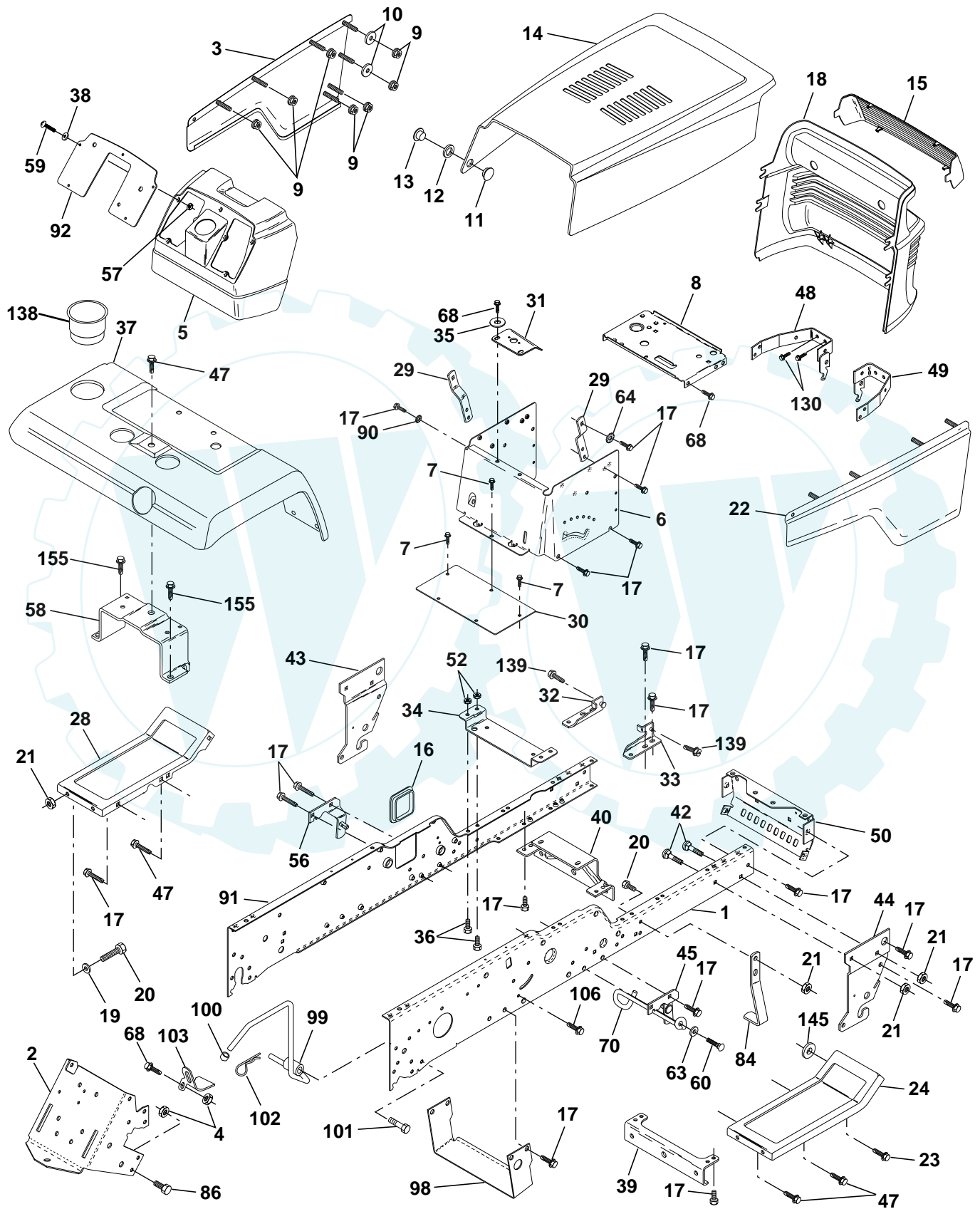
NOTE: All component dimensions given in U.S. inches
1 inch = 25.4 mm

REPAIR PARTS

www.ersatzteil-service.de

TRACTOR - - MODEL NO. PRGT20H50A

CHASSIS AND ENCLOSURES



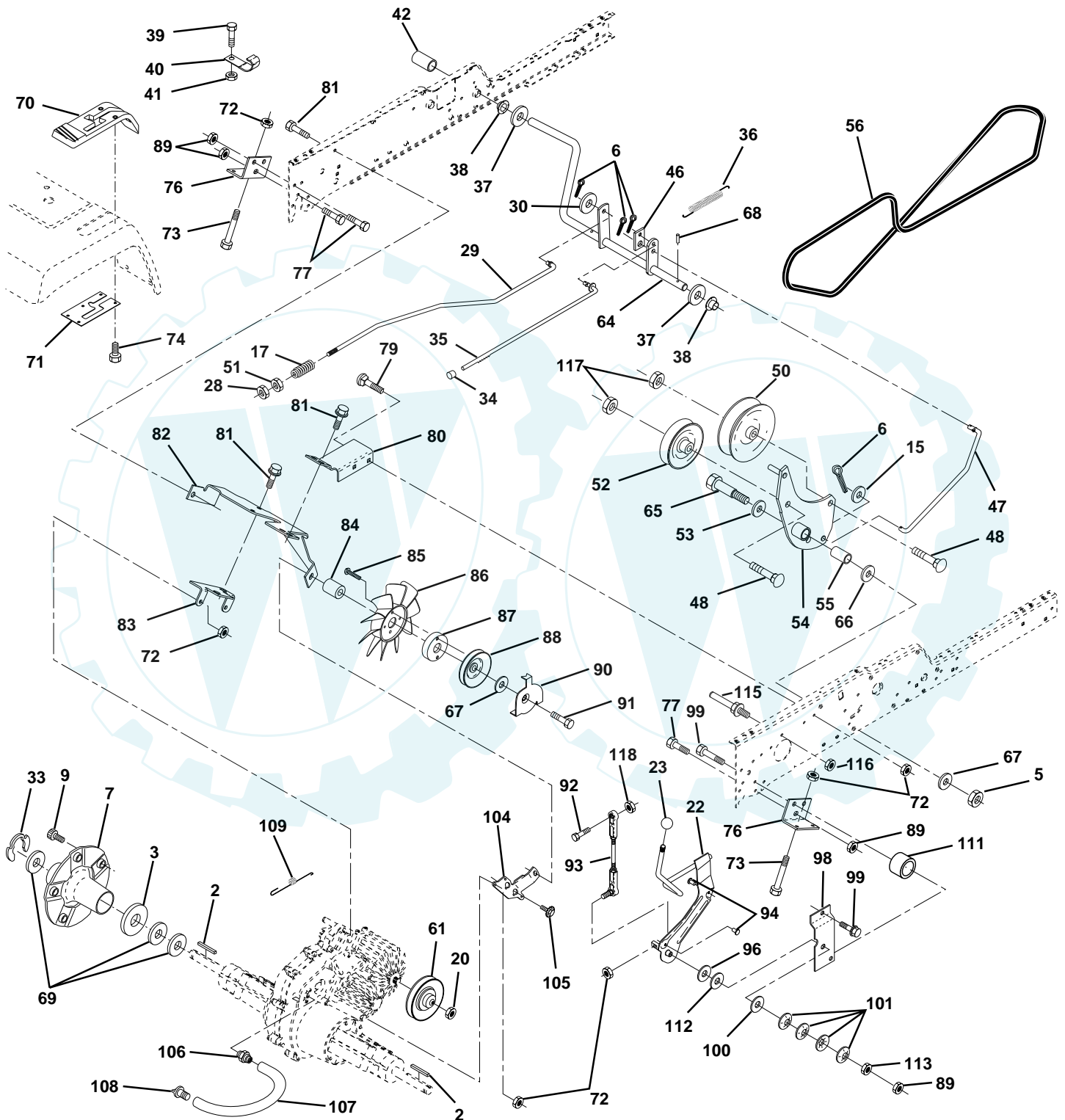
TRACTOR - - MODEL NO. PRGT20H50A

CHASSIS AND ENCLOSURES

KEY NO.	PART NO.	DESCRIPTION	KEY NO.	PART NO.	DESCRIPTION
1	150253	Rail, Frame RH	47	17490608	Screw Thdrol 3/8-16 x 1/2
2	140506	Drawbar, Gt	48	157105	Bracket Asm Hood Lh
3	136671X428	Panel Asm., Side LH	49	157107	Bracket Asm Hood Rh
4	73800700	Nut, Lock Hex 7/16 Unc	50	152728	Bracket, Chassis Front
5	170119	Dash, Plastic	52	73680500	Nut, Crownlock 5/16-18
6	157882	Dash, 1PCS, Lower	56	154914	Bracket Asm., Susp Chassis Lh
7	17720408	Screw, Thd Cut 1/4-20 x 1/2	57	73640400	Nut Keps Blk Hex 1/4-20
8	145166	Support, Battery	58	137113	Bracket Asm., Fender
9	108067X	Nut, Pal	59	74180412	Screw Mach Cr 1/4-20 x 3/4
10	19092016	Washer 9/32 x 1-1/4 x 16	60	17060620	Screw 3/8-16 x 1-1/4
11	137270	Rivet Ratchet Male	63	19131614	Washer 13/32 x 1 x 14 Ga.
12	137269	Washer Nylon	64	144283	Washer Serrated Disc 13/32 x 1
13	137271	Rivet Ratchet Female	68	17490508	Screw, 5/16-18 x 1/2
14	136673X428	Hood Asm., Pnt	70	137159	Guide, Belt Mid Span
15	136374X599	Lens, Headlight Bar	84	142992	Stop, Over Center Mower
16	121794X	Cover, Access	86	74760716	Bolt, Fin Hex 7/16-14 Unc x 1
17	17060612	Screw, 3/8-16 x 3/4	90	11050600	Washer, Lock External Tooth 3/8
18	136373X428	Grille	91	170755	Rail, Frame Lh
19	19131312	Washer 13/32 x 13/16 x 12 Ga.	92	170087X010	Plate, Silkscreen Dash
20	74760616	Bolt, Fin Hex 3/8-16 x 1	98	140503	Bracket Chassis Skid
21	73680600	Nut, Crownlock 3/8-16	99	140871	Rod Asm. Bypass
22	136670X428	Panel Asm., Side RH	100	71673	Cap By Pass Rod
23	17060616	Screw 3/8-16 x 1-1/2	101	17490628	Screw Thdrol. 3/8-16 x 1-3/4
24	145243X428	Footrest, RH	102	4497H	Retainer Spring 1"
28	145244X428	Footrest, LH	103	142273	Bracket Lock Bypass
29	145349	Bracket, Support Dash	106	138776	Screw Thdrol Hex Head Zinc
30	145052	Saddle	130	164863	Screw Hw Hd Hi-Lo #13-16 x 3/4
31	161419	Bracket Supt 1-pc Vgt Steering	138	163975X428	Cupholder
32	161327	Bracket, Frame Pivot Lh	139	161330	Bolt Shoulder 5/16-18
33	161326	Bracket, Frame Pivot Rh	145	19131414	Washer Flat 13/32 x 7/8 x 14 Ga.
34	142131	Bracket, Engine Support Rear	155	17490612	Screw 3/8-16 x 3/4
35	19111116	Washer 11/32 x 11/16 x 16 Ga.	--	8022J	Plug, Hole
36	74780512	Bolt, Fin Hex 5/16-18 x 3/4	NOTE: All component dimensions given in U.S. inches 1 inch = 25.4 mm		
37	167287X428	Fender, Pnt.			
38	19091216	Washer, Lock 1/4			
39	136961	Bracket, Axle Front			
40	156111	Bracket, Support Axle/Engine			
42	72140608	Bolt Rdhd Sqnk 3/8-16 Unc x 1			
43	136939	Bracket, Spnsn Front Lh			
44	136940	Bracket, Spnsn Front Rh			
45	154913	Bracket Asm., Susp Chassis Rh			

TRACTOR - - MODEL NO. PRGT20H50A

GROUND DRIVE



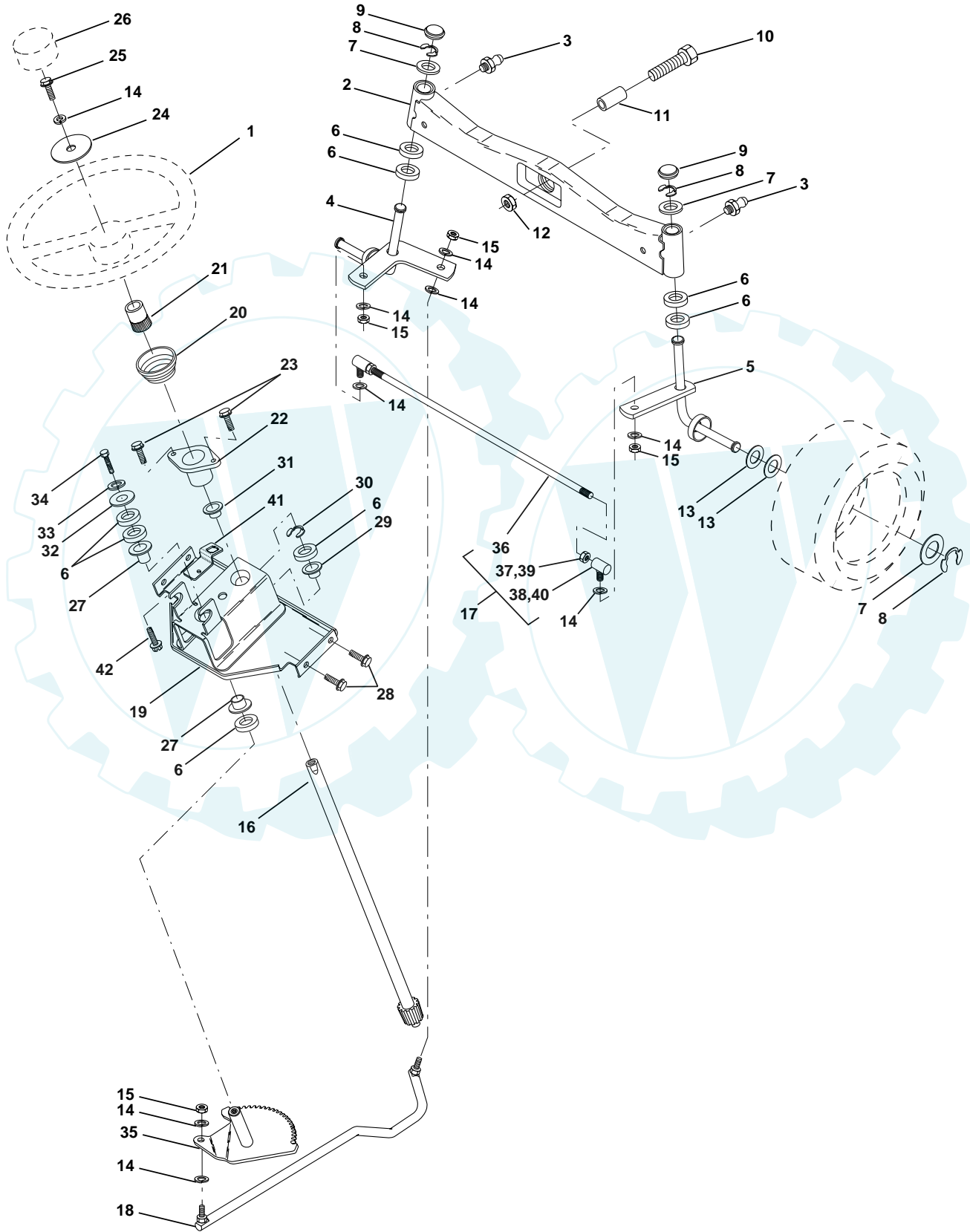
TRACTOR - - MODEL NO. PRGT20H50A

GROUND DRIVE

KEY NO.	PART NO.	DESCRIPTION	KEY NO.	PART NO.	DESCRIPTION
1	-----	Transaxle, Hydro 222-3010 (Order Parts From Transaxle Manufacturer)	68	5142H	Pin Roll
2	7070E	Key 1/4 x 2.5	69	123800X	Washer
3	7563R	Washer Thrust Axle Harden	70	164892X428	Console Hydro Fender
5	73680600	Nut Crownlock 3/8-16	71	151179	Plate Console Shift
6	76020412	Pin Cotter 1/8 x 3/4	72	73800500	Locknut Hex W/Washer Insert
7	140507	Wheel Hub Asm.	73	74490548	Bolt Hex Flghd 5/16-18 x 3 Gr. 5
9	140080	Bolt Hub	74	142432	Screw, Hex Wsh Hi-Lo 1/4-1/2
15	19131316	Washer 13/32 x 13/16 x 16 Ga.	76	140481	Bracket Transaxle
17	140921	Spring Rod Brake	77	74760716	Bolt Fin Hex 7/16-14 x 1
20	73940800	Nut Hex Jam Toplock 1/2-20	79	72110505	Bolt Carriage 5/16-18 x 5/8
22	156103	Shaft Arm Asm	80	140484	Bracket Torque RH
23	140845	Knob	81	17060612	Screw 3/8-16 x 3/4
28	73350600	Nut, Hex Jam 3/8-16	82	150586	Bracket Mount Torque/Fan
29	140494	Brake Rod	83	140479	Strap Torque Mid
30	19131616	Washer 13/32 x 1 x 14Ga	84	140490	Spacer
33	12000053	Ring E	85	17541020	Screw #10-24 x 1-1/4
34	71673	Cap Plunger	86	140462	Fan 7" Hydro
35	137648	Rod Parking Brake	87	140491	Adapter Fan
36	149412	Spring Extension	88	161592	Pully Idler V-Groove Flange
37	121749X	Washer 25/32 x 1-1/4 x 16 Ga.	89	73680700	Nut, Crownlock 7/16-14
38	150035	Nyliner	90	140489	Keeper Belt
39	74321016	Screw Fin #10-24 x 1	91	17490644	Screw Thdrol 3/8-16 x 2-3/4
40	5304J	Actuator Interlock Switch	92	74760520	Bolt Fin Hex 5/16-18 x 1.75
41	73661000	Nut Toplock #10-24 Unc	93	140502	Link Shift Asm
42	123533X	Cover Pedal	94	133835	Fastner Christmas Tree
46	145170	Retainer Spring	96	141103	Washer Nickel Plated
47	138228	Clutch Rod	98	141004	Bracket Shift
48	72110612	Bolt Carriage 3/8-16 x 1-1/2 Gr. 5	99	17060624	Screw 3/8-16 x 1-1/2
50	131494	Pulley Idler Flat	100	126881X	Washer Compression
51	73680600	Nut, Crownlock 3/8-16	101	156106	Washer Bellville
52	139123	Pulley Idler Grooved	104	140480	Bracket Idler
53	207J	Washer Hardened	105	17580408	Screw Tap 1/4-20 x 1/2
54	161590	Arm Asm Idler Clutch 98	106	142918	O-Ring Asm Hydro Gear
55	105706X	Bearing, Idler	107	154739	Line Fuel Hydro 15" VGT Serv
56	140218	V-Belt	108	142917	Cap Asm Vent Hydro Gear
58	17060624	Screw 3/8-16 x 1-1/2	109	140929	Spring Return Brake
61	140488	Pullery Transaxle	111	156240	Spacer Shift Lever VGTH
64	154752	Shaft Asm Brake Parking Clutch	112	156104	Washer Nylon High Temp
65	67609	Bolt Shoulder	113	73220700	Nut Hex ASF 7/16-14 Unc
66	140296	Washer Hardened	115	123405X	Keeper Belt T/A GND DR LR
67	19131312	Washer 13/32 x 13/16 x 12 Ga	116	73900500	Nut Lock Hex Flange 5/16-18
			117	73900600	Nut Lock Flg. 3/8-16 Unc

NOTE: All component dimensions given in U.S. inches
1 inch = 25.4 mm

STEERING ASSEMBLY



TRACTOR - - MODEL NO. PRGT20H50A

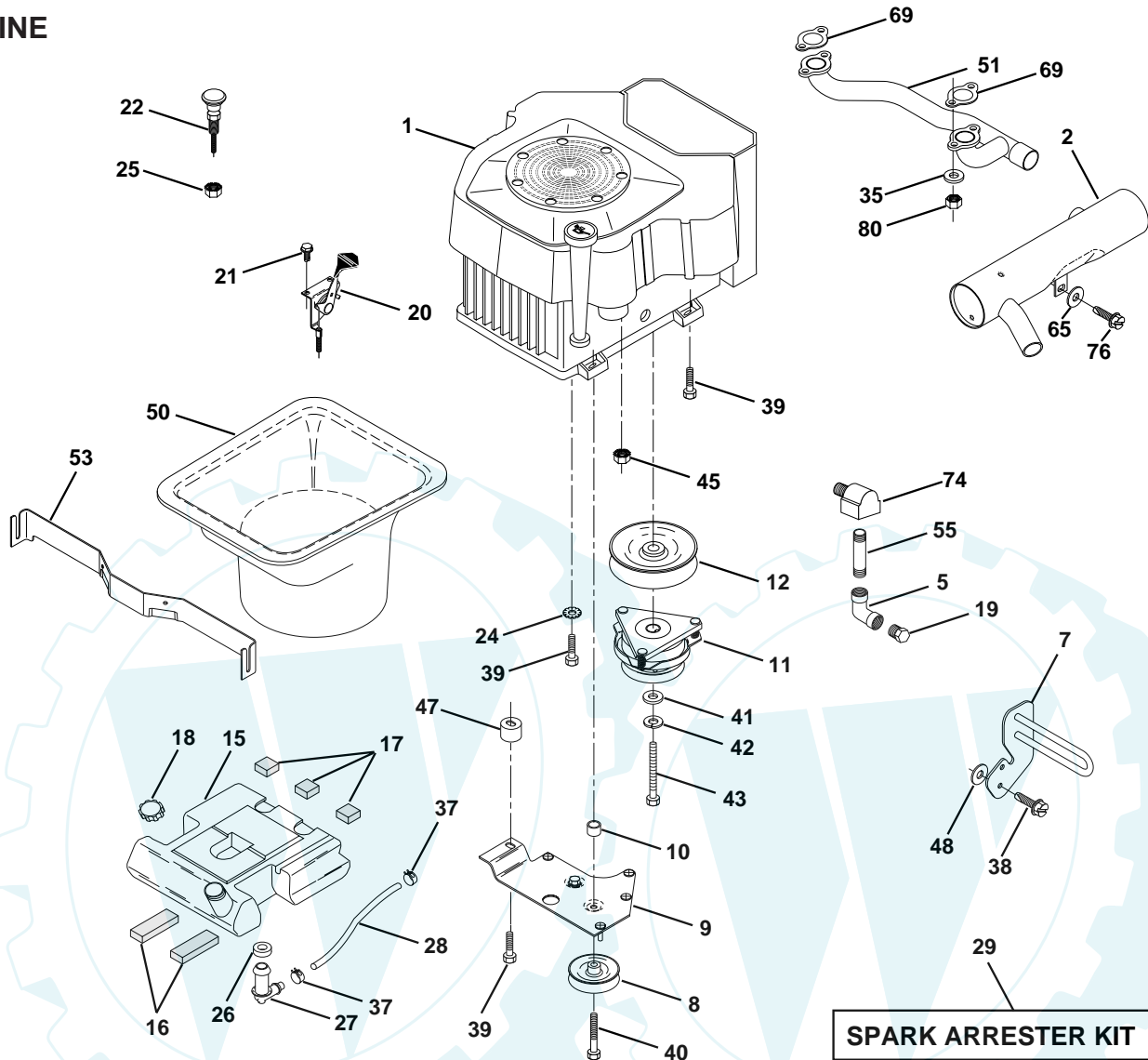
STEERING ASSEMBLY

KEY NO.	PART NO.	DESCRIPTION
1	159944X428	Wheel, Steering
2	137094	Axle Asm., Front
3	6855M	Fitting, Grease
4	161849	Spindle Asm, LH
5	161848	Spindle Asm., RH
6	6266H	Bearing, Race Thrust Harden
7	121748X	Washer 25/32 x 1-5/8 x 16 Ga.
8	12000029	Ring, Klip #T5304-75
9	121232X	Cap, Spindle
10	74781044	Bolt, Fin Hex 5/8-11 x 2-3/4
11	136518	Spacer Brg Axle Front 1.570
12	73901000	Nut, Lock Flange 5/8-11 Unc
13	121749X	Washer 25/32 x 1-1/4 x 16 Ga.
14	10040600	Washer, Lock Hvy Hlcl Spr 3/8
15	7810H	Nut Lock Center 3/8-24 Unf
16	145103	Shaft Asm., Steering
17	137347	Rod Asm., Tie Ball J Ball Vgt (Inc. Key No. 36-40)
18	137155	Draglink, Ball Joint Solid Vgt
19	156011	Support Asm., Steering Vgt
20	158624X428	Boot Steering
21	159945	Adapter, Wheel Steering
22	155105	Bushing, Strg.
23	152927	Screw
24	19132411	Washer 13/32 x 1-1/20 x 11 Ga.
25	74780616	Bolt, Fin Hex 3/8-16 x 1 Gr. 5
26	159946X428	Cap, Wheel Steering
27	3366R	Bearing, Col. Strg.
28	17000612	Screw 3/8-16 x 3/4
29	104239X	Bearing, Flange
30	12000029	Ring, Klip Truarc #5304-75
31	138136	Bushing, Nyliner Snap
32	19111610	Washer 11/32 x 1 x 10 Ga.
33	10040500	Washer, Lock Hvy Hlcl Spr 5/16
34	74760512	Bolt, Hex Hd 5/16-18 x 3/4
35	138059	Gear, Sector Steering
36	137156	Tie Rod
37	73360600	Jam Nut RH Thread
38	109850X	Joint Asm. Ball RH Thread
39	73700600	Jam Nut LH Thread
40	109851X	Joint Asm. Ball LH Thread
41	155246	Bracket Switch Inerlock VGT97
42	17490508	Screw 5/16-18 x 1/2

NOTE: All component dimensions given in U.S. inches
1 inch = 25.4 mm

TRACTOR - - MODEL NO. PRGT20H50A

ENGINE



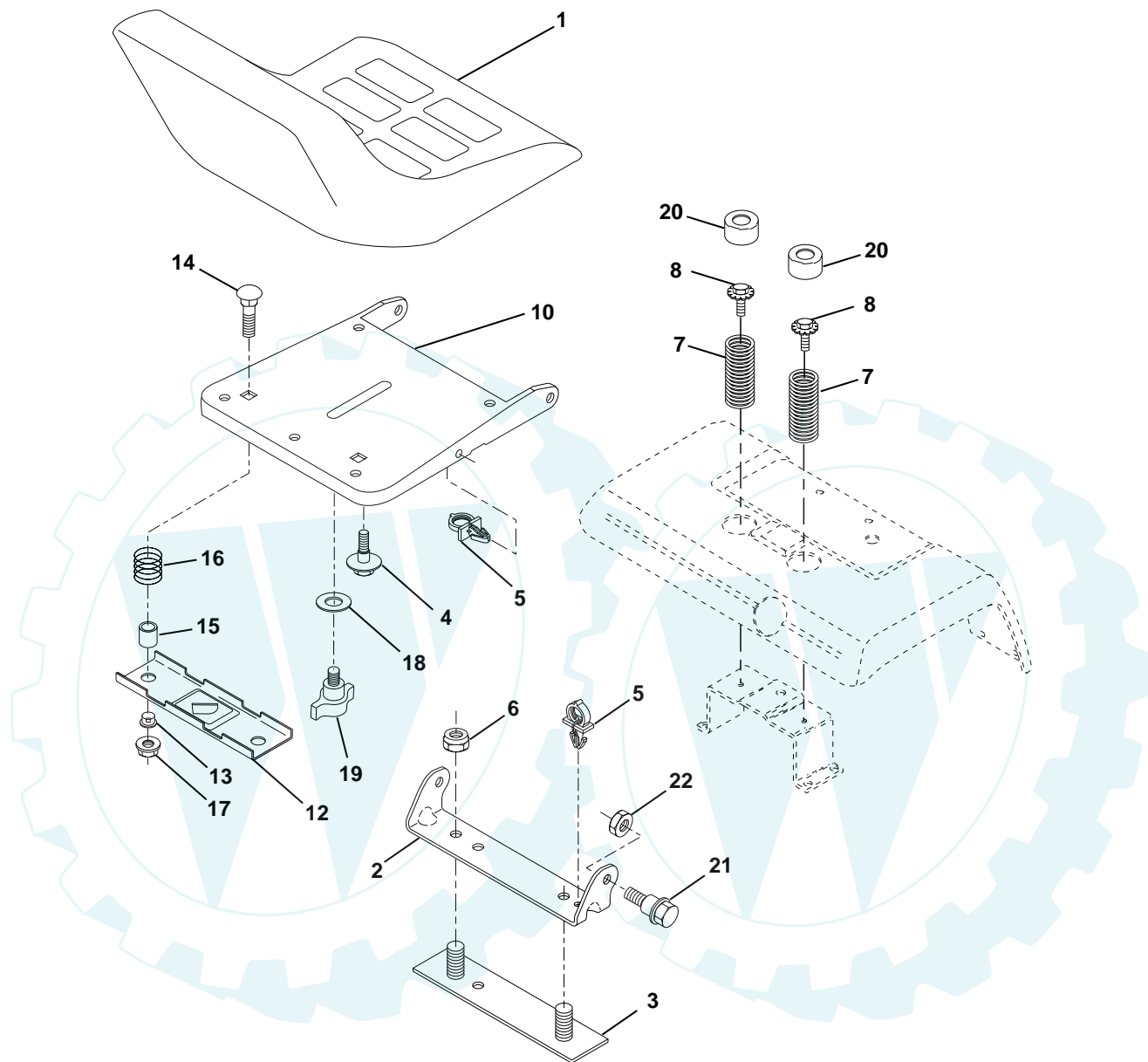
KEY NO.	PART NO.	DESCRIPTION
1	-----	Engine Kohler, Model No. CV20S (Order parts from engine manuf.)
2	161063	Muffler Side
5	13200300	Elbow STD 90 Degree 3/8 - 18 NPT
7	151396	Muffler Assembly Guard
8	121361X	Pulley V-Idler
9	150828	Keeper Asm. Belt Engine VGT
10	105432X	Bushing
11	140923	Clutch Electric
12	143996	Pulley Engine VGT Elect Clutch
15	151346	Tank Fuel Rear 3.50
16	109227X	Pad Spacer
17	106082X	Pad Spacer
18	140527	Cap Asm Fuel W/Sym Vented
19	13290300	Plug Oil Drain (Order From Engine Manufacturer)
20	143885	Control Throttle
21	17720410	Screw Hex Thd Cut 1/4 - 20 X 5/8
22	132779	Control Choke
24	11050600	Washer Ext Tooth 3/8
25	73920600	Nut Keps 3/8-24 Unf
26	3645J	Bushing
27	139277	Stem Tank Fuel
28	7834R	Fuel Line

KEY NO.	PART NO.	DESCRIPTION
29	132920	Spark Arrester Kit
35	10010500	Washer
37	123487X	Clamp Hose
38	17060620	Screw 3/8-16 x 1-1/4
39	17490636	Screw TT 3/8-16 x 2-1/4 UNC
40	17490664	Screw TT 3/8-16 x 4 UNC
41	126197X	Washer 1-1/2 OD X 15/32 ID X .250
42	10040700	Washer Lock 7/16
43	150280	Bolt Hex 7/16-20 X 4-1/4 Ga 5
45	73510400	Nut Keps Hex 1/4-20
47	142040	Spacer Engine CV22 Round PM
48	19132007	Washer 13/32 x 1-1/4 x 7 Ga.
50	161862	Duct Air Intake
51	161231	Manifold VGT
53	161829	Rod Support Hood Duct
55	13280336	Nipple, Pipe 4-1/2
65	19131614	Washer 13/32 x 1 x 14 Ga.
69	24-041-02	Gasket
74	162295	Elbow Street Brass
76	17000612	Screw Hexwsh Thdrol 3/8-16 x 3/4
80	M73030800	Nut Flange M8-1.25

NOTE: All component dimensions given in U.S. inches
1 inch = 25.4 mm

TRACTOR - - MODEL NO. PRGT20H50A

SEAT ASSEMBLY



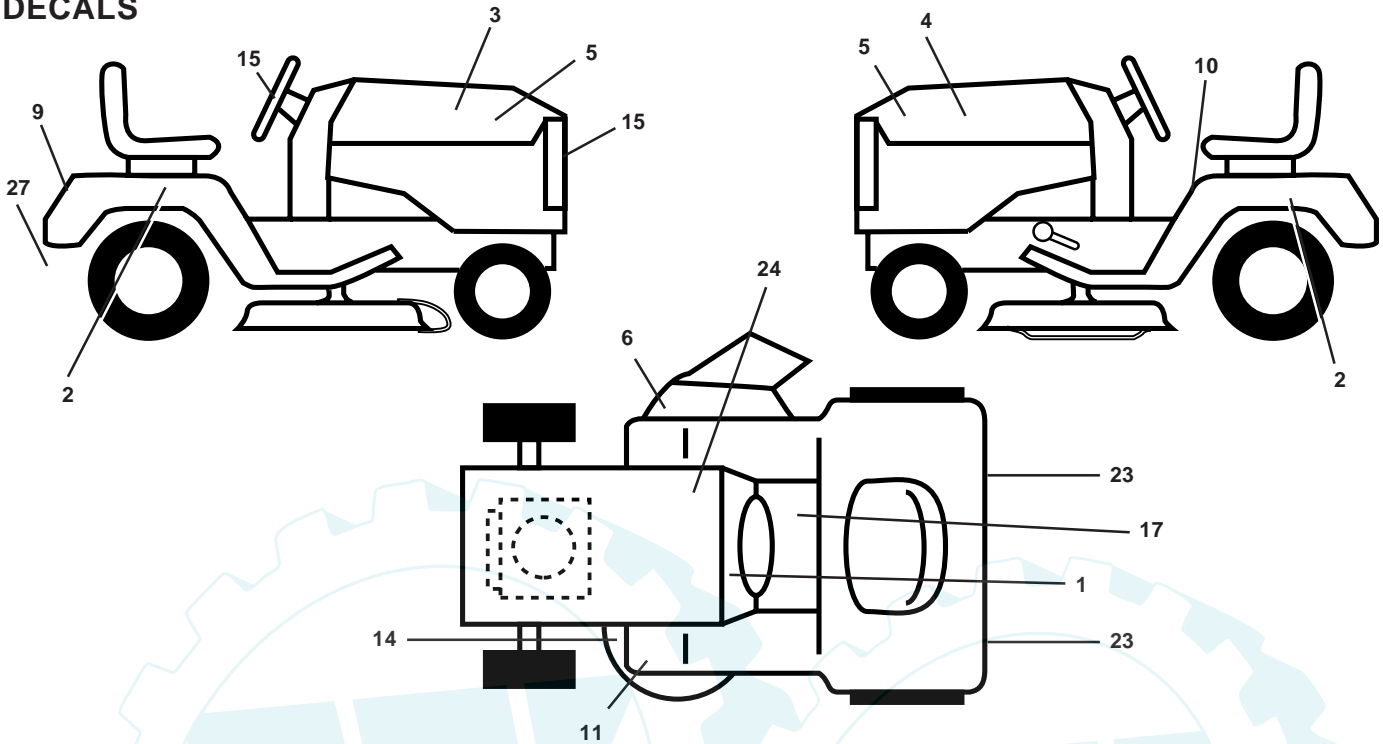
KEY NO.	PART NO.	DESCRIPTION
1	127440	Seat
2	140551	Bracket, Pivot Seat
3	140675	Strap, Fender
4	127018X	Bolt, Shoulder 5/16-18 X .62
5	145006	Clip, Push In Hinged
6	73800600	Nut, Crownlock 3/8-16
7	124181X	Spring, Seat Cprsn
8	171877	Bolt 5/16-18 UNC X 3/4
10	155925	Pan, Seat
12	121246X	Bracket, Mounting Switch
13	121248X	Bushing, Snap

KEY NO.	PART NO.	DESCRIPTION
14	72050412	Bolt, Carriage 1/4-20 X 1-1/2
15	121249X	Spacer, Split
16	123740X	Spring, Cprsn
17	123976X	Nut, Lock 1/4 Lge Flg Gr. 5
18	19171912	Washer 17/32 X 1-3/16 X 12 Ga.
19	166369	Knob, Seat
20	124238X	Cap, Spring Seat
21	171852	Bolt, Shoulder 5/16-18
22	73800500	Nut, Crownlock 5/16-18

NOTE: All component dimensions given in U.S. inches
1 inch = 25.4 mm

TRACTOR - - MODEL NO. PRGT20H50A

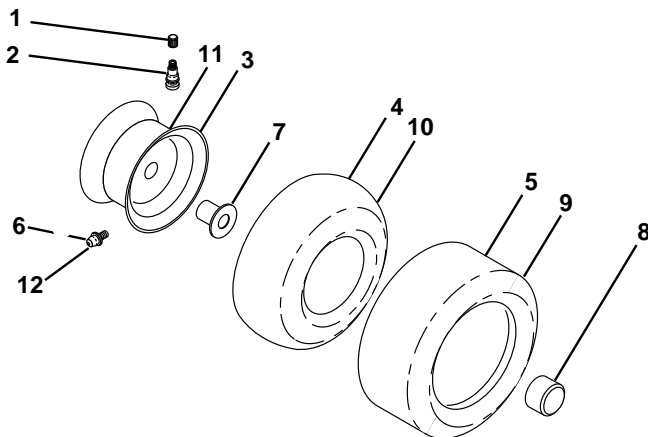
DECALS



KEY NO.	PART NO.	DESCRIPTION
1	156964	Decal, Operating Instruction
2	172753	Decal, Fender Auto
3	172751	Decal, Hood, RH
4	172752	Decal, Hood, LH
5	172755	Decal, Side Panel
6	170563	Decal, Warning
9	172740	Decal, Fender
10	157140	Decal, Danger
11	101892X	Decal, Clutch/Brake
14	160397	Decal, V-Belt Schematic
15	172743	Decal, Ins. Strg Whl

KEY NO.	PART NO.	DESCRIPTION
17	140837	Decal, Saddle Brake Parking
23	106202X	Reflector, Taillight
24	145005	Decal, Btry Dngr/Psn
27	142342	Decal, Drawbar
--	138311	Decal, Handle Lift (Lift Handle)
--	133671	Pad Footrest
--	173502	Manual, Owner's (English)
--	173503	Manual, Owner's (French)

WHEELS & TIRES

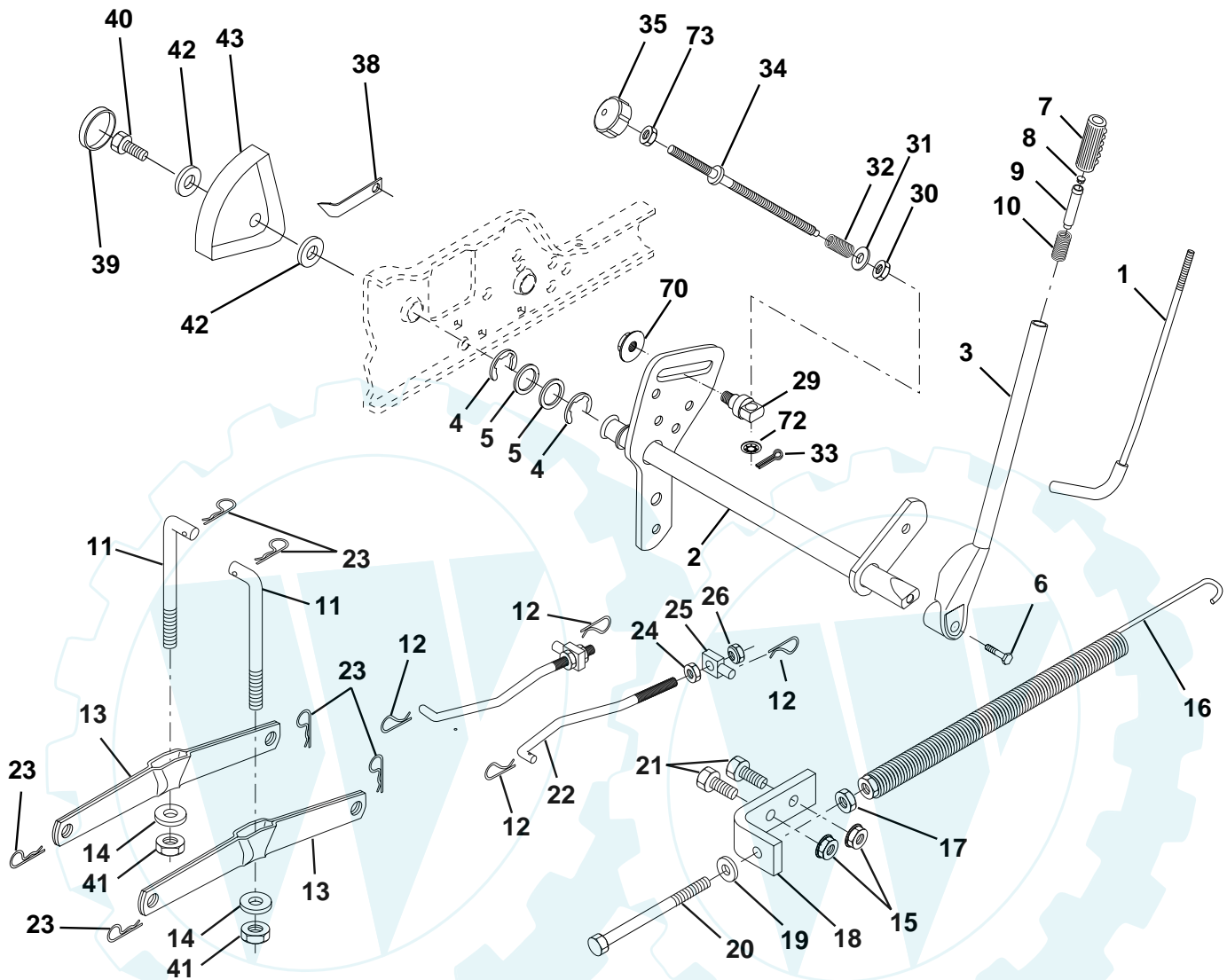


KEY NO.	PART NO.	DESCRIPTION
1	59192	Cap, Valve, Tire
2	65139	Stem, Valve
3	106228X421	Rim Assembly, Front
4	8134H	Tube, Front (Service Item Only)
5	106230X	Tire, Front
6	278H	Fitting, Grease
7	9040H	Bearing, Flange (Front Wheel Only)
8	104757X	Cap, Hub
9	105588X	Tire, Rear
10	7154J	Tube, Rear (Service Item Only)
11	106277X421	Rim Assembly, Rear
12	6856M	Fitting, Grease
--	144334	Sealant, Tire (10 oz. Tube)

NOTE: All component dimensions given in U.S. inches
1 inch = 25.4 mm

TRACTOR - - MODEL NO. PRGT20H50A

LIFT ASSEMBLY

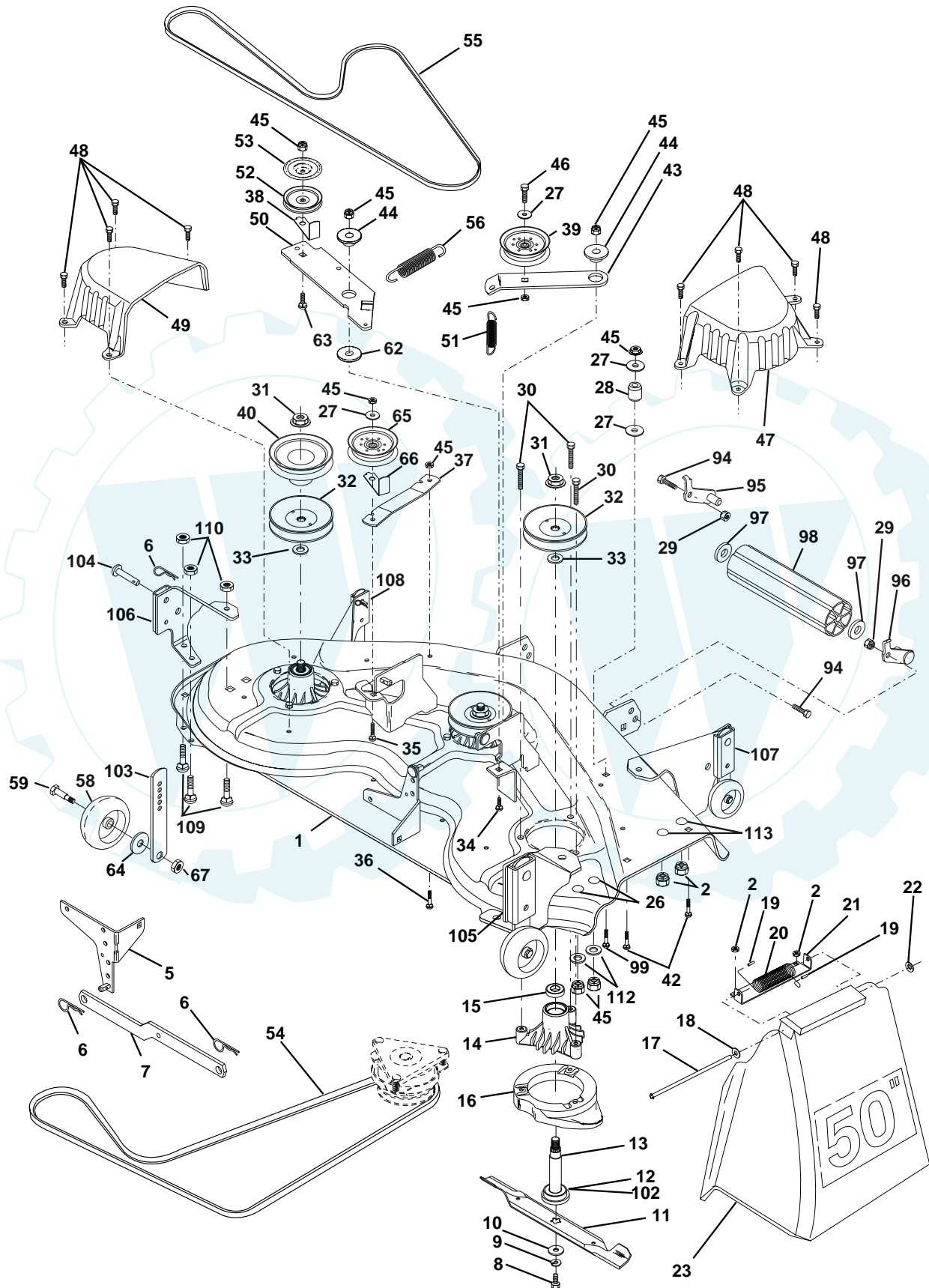


KEY NO.	PART NO.	DESCRIPTION	KEY NO.	PART NO.	DESCRIPTION
1	121006X	Rod Asm., Lever	23	4939M	Retainer, Spring
2	159187	Shaft Asm., Lift Vgt	24	73350800	Nut, Jam Hex 1/2-13 Unc
3	159189	Lever Asm., Lift Rh	25	130171	Trunnion
4	12000022	E-Ring Truarc#5133-87	26	73800800	Nut, Lock W/Wsh 1/2-13 Unc
5	19292016	Washer 29/32 x 1-1/4 x 16 Ga.	29	150233	Trunnion Infin Height
6	71110624	Bolt, Fin Hex 3/8-16 x 1-1/2	30	110807X	Nut, Special
7	125631X	Grip, Handle	31	19131016	Washer 13/32 x 5/8 x 16 Ga.
8	170770	Button, Plunger	32	137150	Spring, Compression Inf Hgt
9	122364X	Plunger, Lever Lift	33	76020308	Pin, Cotter 3/32 x 1/2
10	2876H	Spring 2-1/8"	34	137167	Rod, Adj Lift
11	146704	Link Lift	35	138057	Knob, Inf 3/8-16 Unc
12	163552	Retainer, Spring	38	155097	Pointer Height Indicator
13	139868	Arm, Suspension Vgt	39	123935X	Plug, Hole Blk. 1.485/1.515 Dia.
14	140302	Bearing	40	17060516	Screw 5/16-18 x 1
15	73680600	Nut, Crownlock 3/8-16	41	73540600	Nut, Crownlock 3/8-24
16	674A247	Spring Asm., Assist Lift	42	19112410	Washer 11/32 x 1-1/2 x 10 Ga.
17	73350600	Nut, Hex Jam 3/8-16 Unc	43	123934X	Scale, Indicator Height
18	143363	Bracket, Spring Assist	70	145212	Nut Hex Flange Lock
19	19131316	Washer 13/32 x 13/16 x 16 Ga.	72	110452X	Nut Push Phos & Oil
20	5328J	Bolt, Adjust Spring Assist			
21	74760616	Bolt, Fin Hex 3/8-16 x 1			
22	127218	Link, Front			

NOTE: All component dimensions given in U.S. inches
1 inch = 25.4 mm

TRACTOR - - MODEL NO. PRGT20H50A

MOWER DECK



TRACTOR - - MODEL NO. PRGT20H50A

MOWER DECK

KEY NO.	PART NO.	DESCRIPTION	KEY NO.	PART NO.	DESCRIPTION
1	156990X421	Deck Asm., Mower 50"	48	137729	Screw, Thd Roll 1/4-20 x 5/8
2	73680500	Nut, Crownlock 5/16-18	49	136574	Cover, Mandrel LH
5	138457	Bracket Asm., Sway Bar	50	137272	Arm, Idler Primary
6	4939M	Retainer, Spring	51	137273	Spring, Secondary
7	130832	Arm Suspension, Rear	52	139245	Pulley, Idler V Groove
8	850857	Bolt 3/8-24 x 1.25 Gr. 8 Patched	53	137789	Shield, Idler
9	10030600	Washer, Lock Hvy 3/8 Unplated	54	139573	V-Belt, Mower Primary
10	140296	Washer, Hard Blade Mower Vented	55	144959	V-Belt, Mower Secondary
11	137380	Blade (3 Required)	56	138687	Spring, Primary
12	129895	Bearing, Ball #6204 (Mandrel)	58	133957	Wheel, Gauge
13	137553	Shaft Asm., W/Lower Brg (Includes Key No. 12)	59	137644	Bolt, Shoulder
14	137152	Housing, Mandrel 50" Vent	62	133943	Washer Hardened
15	110485X	Bearing, Ball Mandrel	63	72110612	Bolt Carriage 3/8-16 x 1-1/2
16	140329	Stripper, Mower Vented	64	19121414	Washer 3/8 x 7/8 x 14 Ga.
17	106735X	Rod, Hinge	65	151831	Pulley Idler Flat Mower
18	19111016	Washer 11/32 x 5/8 x 16 Ga.	66	156009	Keeper, Belt Idler 50" Vent
19	105304X	Cap Sleeve	67	73930600	Nut, Center Lock 3/8-16
20	123713X	Spring, Torison Deflector	94	74760616	Bolt H 3/8-16 x 1
21	137607	Bracket, Deflector	95	132274	Bracket, Asm. Noseroller LH
22	110452X	Nut, Push	96	132273	Bracket, Asm. Noseroller RH
23	110509X428	Shield, Deflector Mower	97	19171416	Washer 17/32 x 7/8 x 16 Ga.
25	19111216	Washer 11/32 x 3/4 x 16 Ga.	98	132264	Roller, Nose
26	72110606	Bolt RdHd Sht Sqnk	99	72110614	Bolt, Carriage 3/8-16 x 1-3/4 Gr. 5
27	19131316	Washer 13/32 x 13/16 x 16 Ga.	102	153390	Washer Felt
28	132823	Spacer, Spring Stop Idler	103	155986	Bar Adj. Gauge Wh.
29	73800600	Nut, Lock Hex W/Wsh 3/8-16 Unc	104	156941	Pin Head Rivot
30	157722	Screw Thd Rolling Washer Head	105	156852	Bracket Ga Wh Asm RH 50
31	137266	Nut, Flg Top Lock Cntr 9/16	106	156853	Bracket Ga Wh Asm LH 50
32	153535	Pulley, Mandrel	107	156854	Bracket Ga Wh Assy F RH 50
33	129963	Washer, Spacer Mower Vented	108	156856	Bracket Ga Wh Assy F LH 50
34	72140610	Bolt, Carriage 3/8-16 x 1-1/4	109	72010505	Bolt Carriage 5/16- 18 x 5/8
35	72110616	Bolt, Carriage 3/8-16 x 2	110	73980500	Nut Crownlock 5/16-18
36	72110608	Bolt, Carriage 3/8-16 x 1 Gr. 5	112	19171216	Washer 17/32 x 3/4 x 16 Ga.
37	137166	Stiffener, Arm Idler	113	72110504	Bolt Carriage 5/16-Unc 1/2
38	156085	Keeper, Belt Idler	--	143651	Mandrel Asm (Includes Key Nos. 8-10, 12-15, 31 and 33)
39	131494	Pulley, Idler Flat	--	173532	Mower Asm Service (Std. Deck - Order separately all Nose Roller and all Gauge Wheel components)
40	136572	Pulley, Driven			
42	72140506	Bolt, Carriage 5/16-18 Unc x 3/4			
43	136460	Arm, Idler Secondary			
44	122052X	Spacer, Retainer			
45	73680600	Nut, Crownlock 3/8-16 Unc			
46	74760628	Bolt, Fin Hex 3/8-16 Unc x 1-3/4			
47	137200	Cover, Mandrel RH			

NOTE: All component dimensions given in U.S. inches
1 inch = 25.4 mm