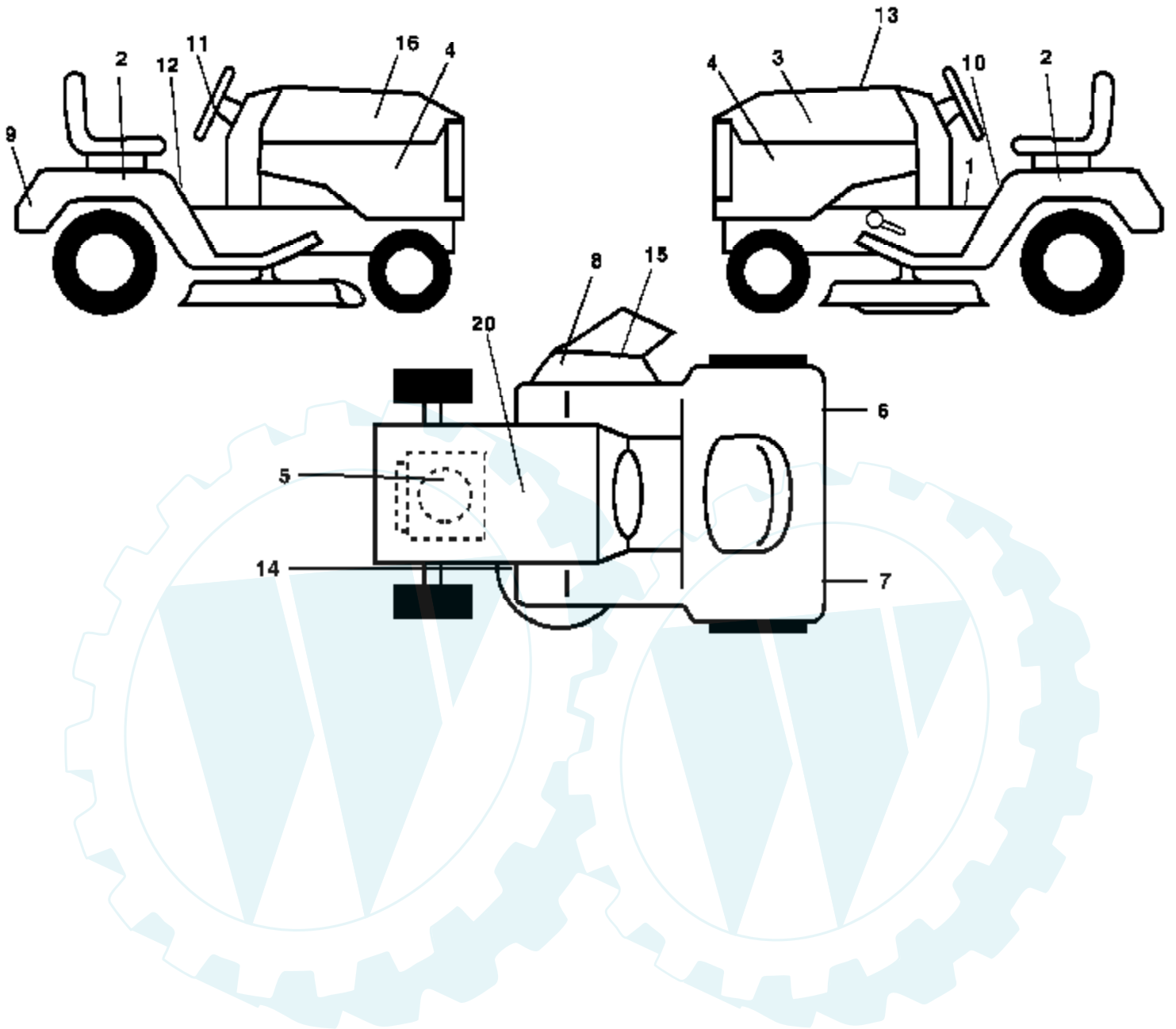
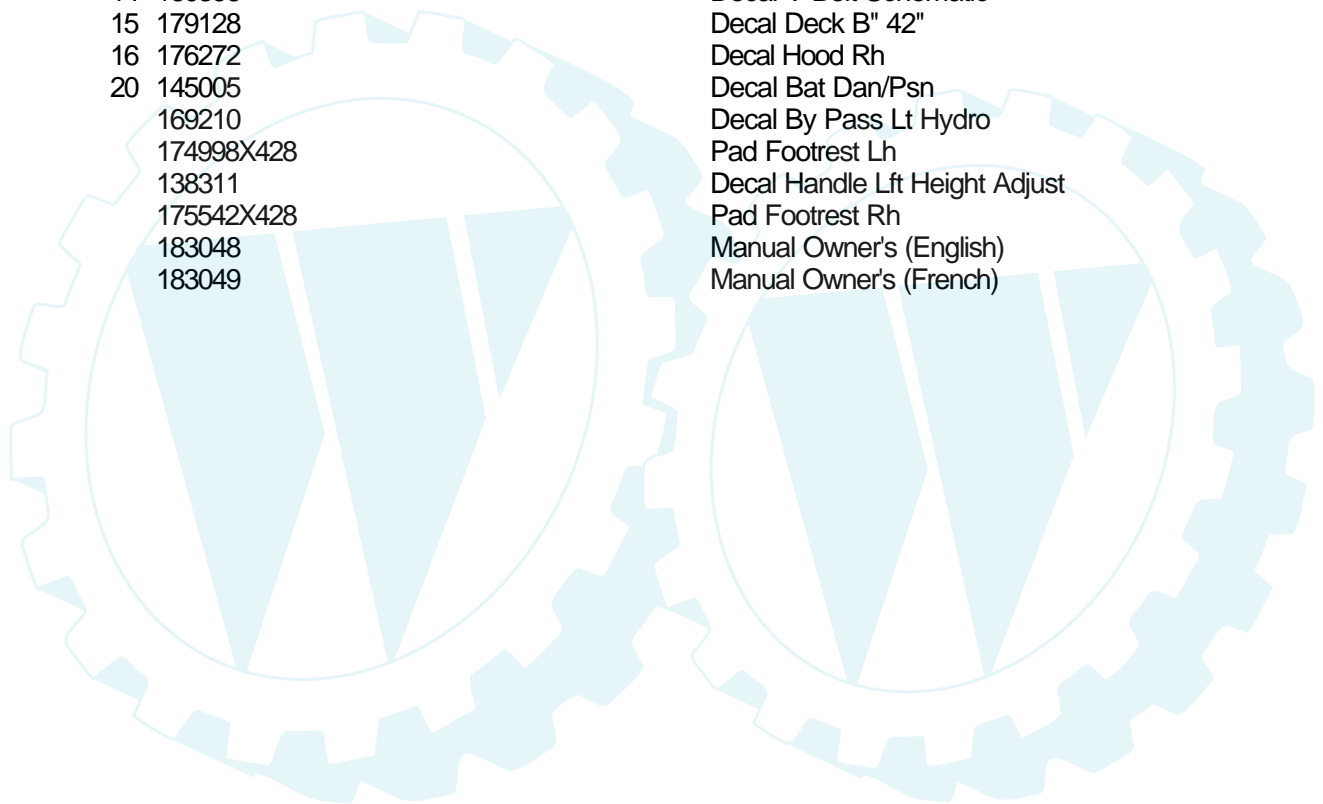
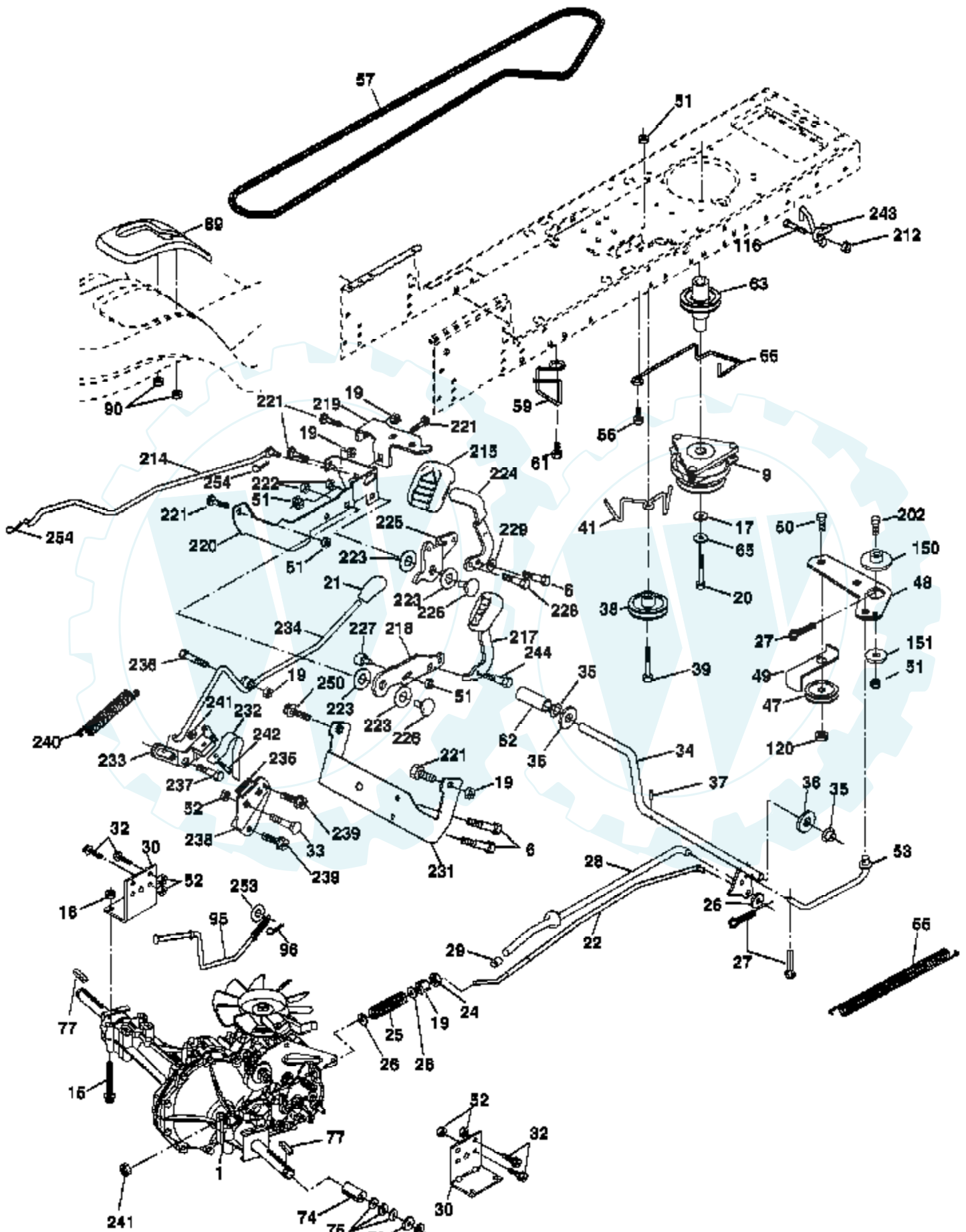


Ref #	Part Number	Qty	Description
1	174619		Chassis
2	176554		Drawbar
3	17060612		Screw 3/8-16x3/4
9	163976X428		Dash
10	72140608		Bolt 3/8-16 x 1
11	167203		Panel Dash Lh
13	178298		Panel Dash Rh
14	17490608		Screw Thdrol 3/8-16 x 1/2
17	175260X428		Hood
20	162026		Plate Battery
25	19131312		Washer 13/32 X 13/16 X 12 Ga
26	73800600		Nut Lock Hex W/Ins 3/8-16 Unc
28	175289X428		Grille
29	179761		Light Box Asm W/Lens
30	175692X428		Fender
31	139976		Bracket Fender
37	17490508		Screw Thdrol 6/16-18 x 1/2 TYT
38	175710		Bracket, Asm. Pivot Mower Rear
54	161464		Screw Hex Wshd 8-18 x 7/8
58	175351		Duct Hood
59	177579		Bushing Snap
60	72140606		Bolt Rd Hd Sqnk 3/8-16 Unc x 3/4
64	174997		Dash Lower
74	73680600		Nut Crownlock 3/8-16 Unc
142	175702		Plate Reinforcement STLT
143	154966		Bracket Swaybar Chassis
144	175582		Bracket Footrest
145	156524		Rod Pivot Chassis/Hood
154	161897		Bracket Dash Rh
155	161900		Bracket Dash Lh
156	163805		Striker Plate
157	163806		Magnet Stealth
158	162037		Bracket Parking Brake
159	155123X428		Cupholder
161	164655		Extrusion Bumper
166	164863		Screw Hw Hd Hi-Lo #13-16 x 3/4
206	170165		Bolt Shoulder 5/16-18
209	17000612		Screw Hexwsh Thdrol 3/8-16 x 3/4
213	169848X428		Skirt Grille Lh
214	169847X428		Skirt Grille Rh



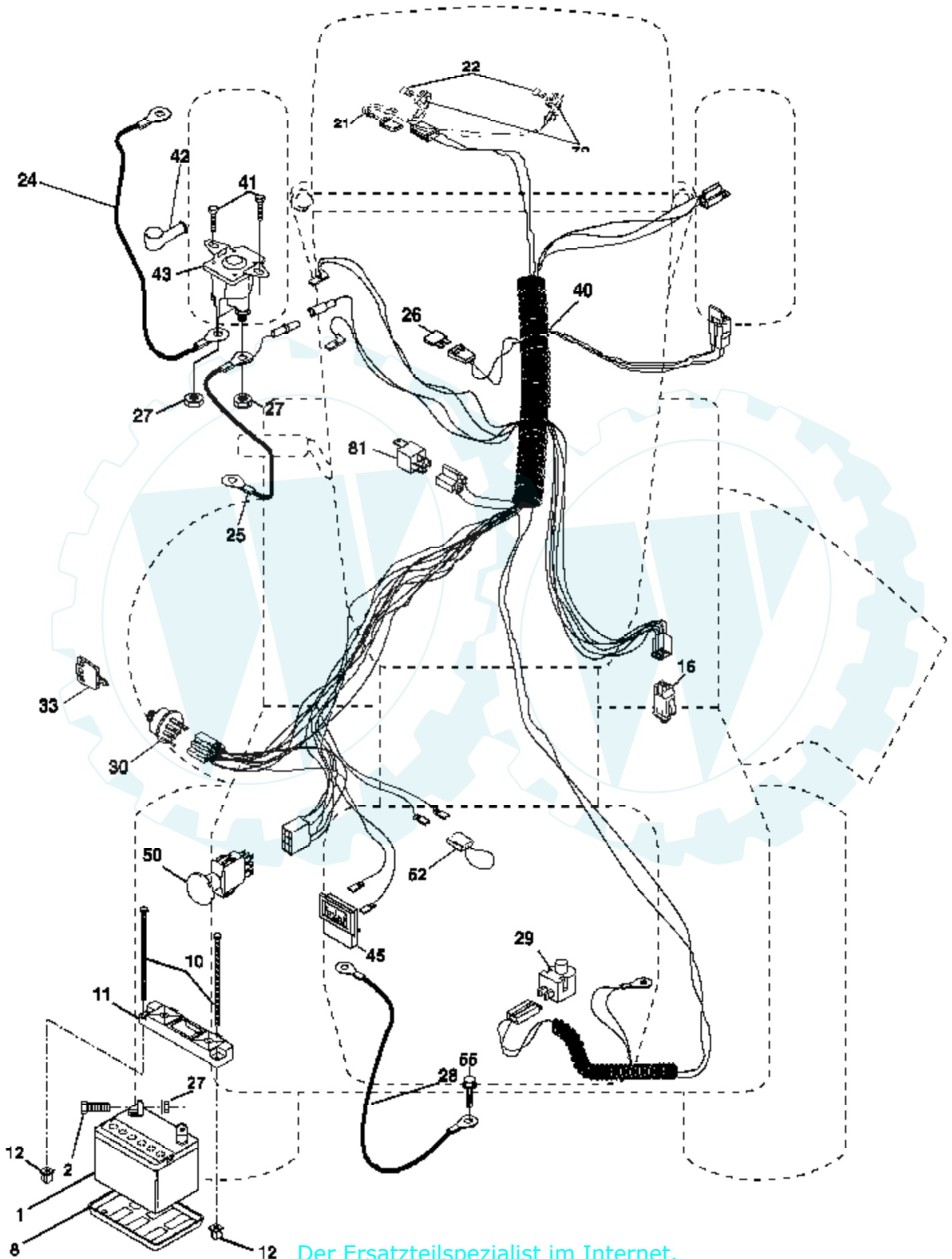
Ref #	Part Number	Qty	Description
1	164095		Decal Dash
2	176303		Decal Fender Auto
3	176273		Decal Hood LH
4	177020		Decal Side Panel
5	170851		Decal HP Engine
6	173587		Decal Reflector Rh
7	173589		Decal Reflector Lh
8	170563		Decal Warning Mower
9	172740		Decal Fender Logo
10	157140		Decal Fender Danger E/F
11	172743		Decal Ins Strg Whl
12	177982		Decal Fender Oper Cruise
13	180893		Decal Final Pr-O2F Replace Part
14	160396		Decal V-Belt Schematic
15	179128		Decal Deck B" 42"
16	176272		Decal Hood Rh
20	145005		Decal Bat Dan/Psn
	169210		Decal By Pass Lt Hydro
	174998X428		Pad Footrest Lh
	138311		Decal Handle Lft Height Adjust
	175542X428		Pad Footrest Rh
	183048		Manual Owner's (English)
	183049		Manual Owner's (French)



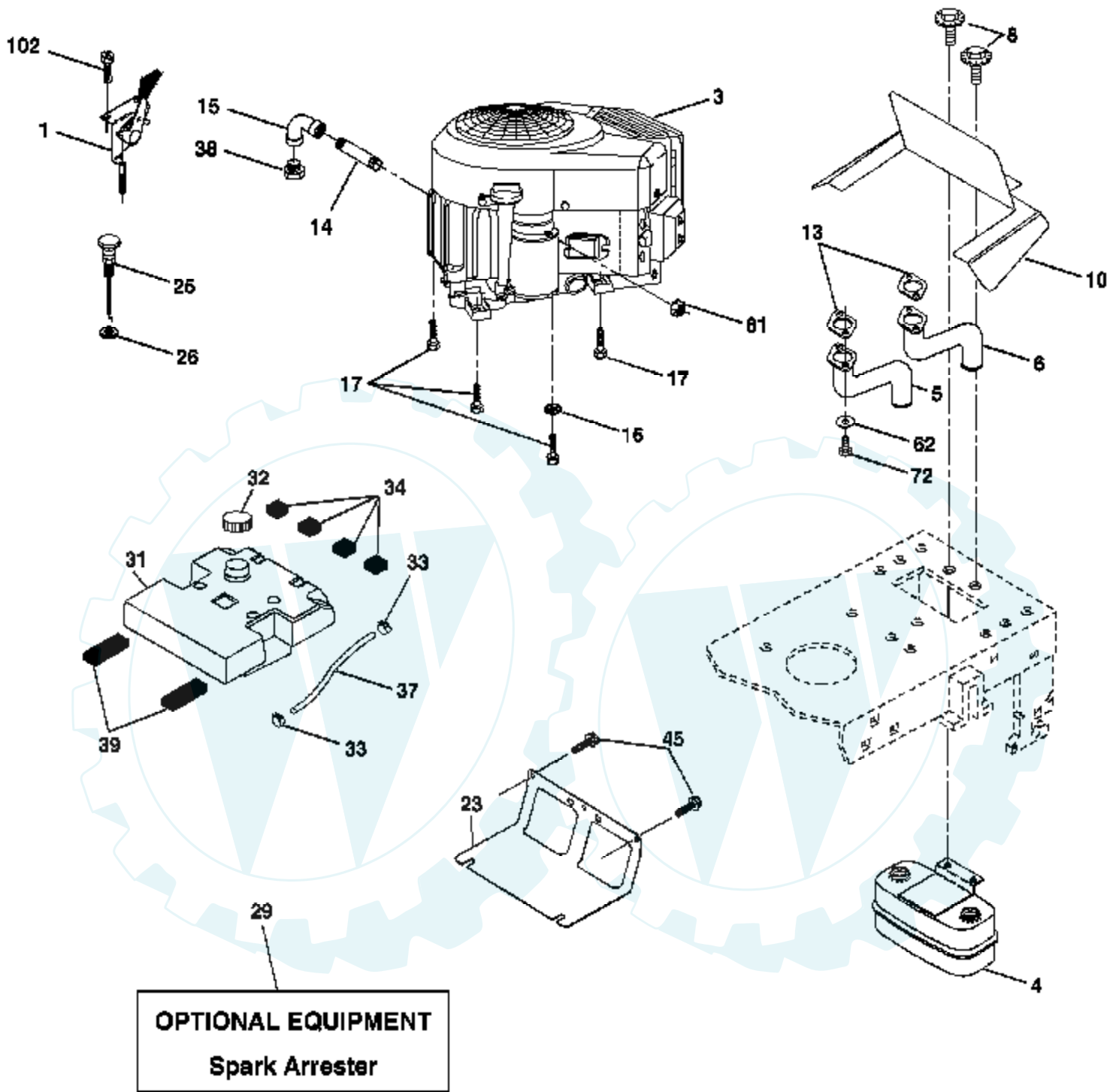


Ref #	Part Number	Qty	Description
	1		Transaxle Hydro gear Model 323-0510 (Order parts from transaxle manufacturer)
6	17060512		Screw 5/16-18 x 3/4
9	179333		Clutch Elec
15	74490544		Bolt Hex Flghd 5/16-18 Gr. 5
16	73800500		Nut Lock Hex W/Ins. 5/16-18 Unc
17	126197X		Washer 1-1/2 OD x 15/32 ID x .250
19	73800600		Nut Lock Hex W/Wsh 3/8-16 Unc
20	173937		Bolt Hex 7/16-20 x 4 x Gr. 5-1.5
21	175036X421		Knob Custom Control Cruise
22	175896		Rod, Brake
24	73350600		Nut, Hex Jam 3/8-16 Unc
25	106888X		Spring, Brake Rod
26	19131316		Washer
27	76020412		Pin Cotter 1/8 x 3/4 CAD.
28	175765		Rod, Parking Brake
29	71673		Cap, Brake, Park
30	169592		Bracket, Transaxle
32	74760512		Bolt Hex Hd 5/16-18 Unc x 3/4
33	72140506		Bolt Rdhd Sqnk 5/16-18 Unc x 3/4
34	175578		Shaft, Foot Pedal
35	120183X		Bearing, Nylon
36	19211616		Washer
37	1572H		Pin, Roll
38	179114		Pulley, Composite, Flat
39	74760648		Bolt Fin Hex 3/8-16 Unc x 3
41	175556		Keeper, Belt Idler Flat
47	127783		Pulley, Idler, V-Groove
48	154407		Bellcrank Clutch Grnd Drw Stl
49	123205X		Retainer, Belt
50	74760624		Bolt
51	73680600		Nut Crownlock 3/8-16 UNC
52	73680500		Nut, Crownlock 5/16-18 Unc
53	105710X		Link, Clutch
55	105709X		Spring, Return, Clutch
56	17060620		Screw 3/8-16 x 1.0
57	140294		V-Belt, Ground Drive
59	169691		Keeper, Center Span
61	17120614		Screw 3/8-16 x .875
62	8883R		Cover, Pedal
63	175776		Pulley, Engine
65	10040700		Washer
66	154778		Keeper Belt Engine
74	137057		Spacer, Axle
75	121749X		Washer 25/32 x 1-1/4 x 16 Ga.
76	12000001		E-Ring
77	123583X		Key, Square
78	121748X		Washer 25/32 x 1-5/8 x 16 Ga.
89	174901X428		Console, Shift
90	124346X		Nut Self-Thd Wsh-hd 1/4 Zinc
95	180825		Rod Bypass
96	4497H		Retainer Spring 1" Zinc/Cad
116	72140608		Bolt RDHD SQNK 3/8-16 Unc x 1
120	73900600		Nut Lock Flg 3/8-16 Unc
150	175456		Spacer Retainer
151	19133210		Washer 13/32 x 2 x 10 Ga.
202	72110612		Bolt Car Sh 3/8-16 x 1-1/2 Gr. 5

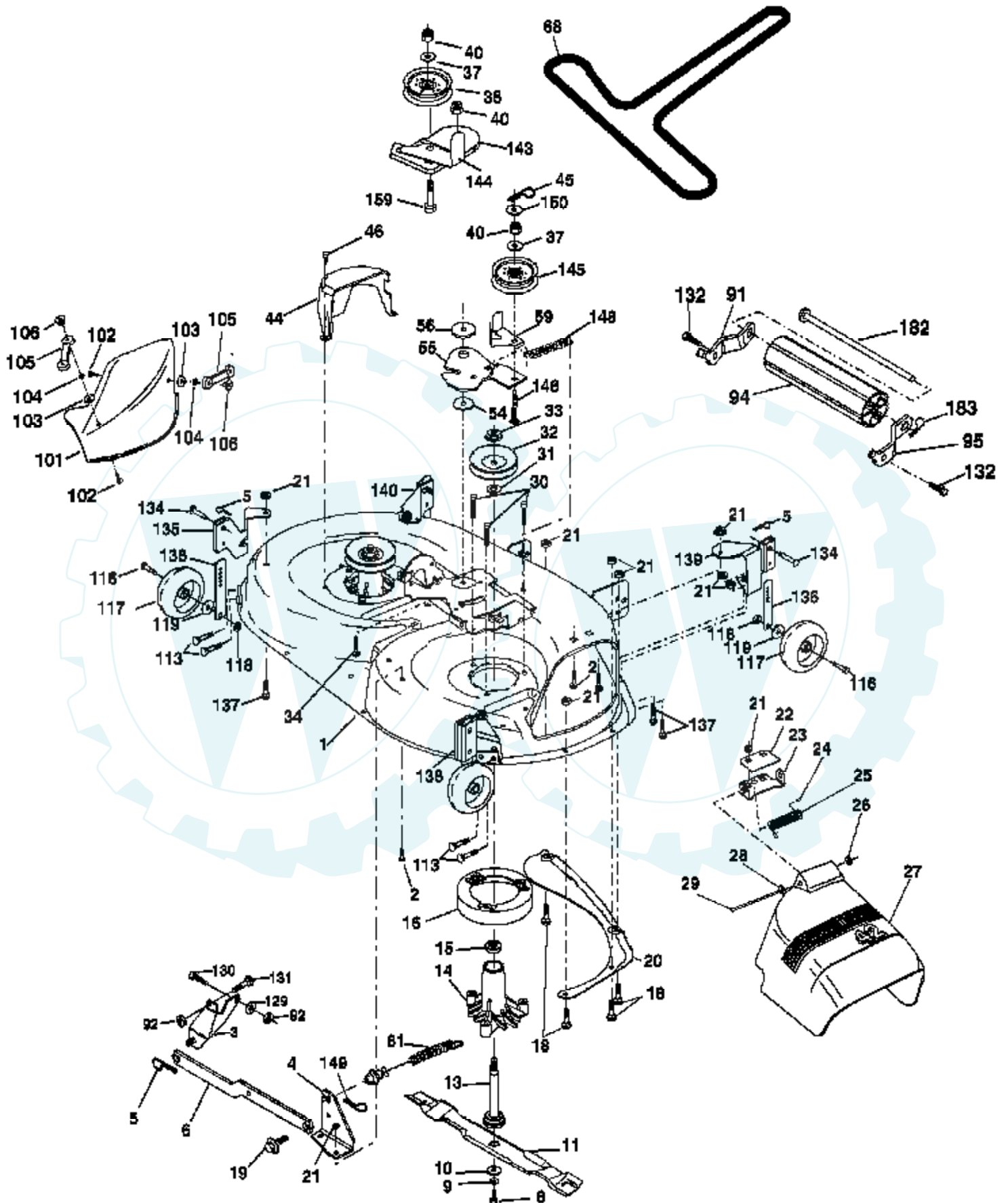
Ref #	Part Number	Qty	Description
212	145212		Nut Hex Flange Lock
214	174735		Link Transaxle
215	175646		Cover Pedal Forward
217	179433		Pedal Reverse
218	174713		Arm Control Pedal Reverse
219	174839		Bracket Frest Pdl Ctrl. Hyd
220	174711		Bracket Mtg. Pedal Control
221	72140606		Bolt Rdhd Sqnk 3/8-16 Unc x 3/4
222	73680700		Nut Crownlock 7/16-14 Unc
223	174840		Washer Nylon 11/16 ID x .060
224	174736		Pedal Forward
225	174712		Arm Control Pedal Forward
226	174902		Bolt Pivot Spacer
227	174710		Cam Reverse Pedal LT
228	179032		Bolt Shoulder 5/16-18
229	176451		Washer Serrated 5/16 x .75
231	174573		Strap Torque
232	175570		Actuator Cruise Disengage
233	174856		Pawl Control Cruise
234	174858		Lever Control Cruise
235	174857		Sector Control Cruise
236	128903		Bolt Shoulder 3/8-16 Unc 1/44
237	170165		Bolt Shoulder 5/16-18
238	175807		Arm Mtg. Cruise Sector
239	17490508		Screw Thdrol 5/16 x 1/2
240	175610		Spring Return Cruise Control
241	73930400		Nut Centerlock 1/4-20 Unc
242	74780412		Bolt Fin Hex 1/4-20 Unc x .75
243	178289		Bracket Anti-Rotation CVX
244	166880		Screw 5/16-18 x 5/8
250	17060612		Screw 3/8-16 x .75
253	179422		Washer .3125 x .615 x 16 Ga.
254			UNKNOWN



Ref #	Part Number	Qty	Description
1	144927		Battery
2	74760412		Bolt Hex Hd 1/4-20 UNC X 3/4
8	7603J		Tray, Battery
10	145211		Bolt, BTR FRT 1/4-20 x 7.5
11	150109		Hold Down Battery, Front
12	145769		Nut, Push, Nylon
16	176138		Switch Interlock Push-In
21	175688		Harness Asm Light W/4152j
22			UNKNOWN
24	8860R		Cable Battery
25	146148		Cable Batterywire
26	175158		Fuse
27	73510400		Nut Keps Hex 1/4-20 Unc
28	145491		Cable Ground
29	160784		Switch Plunger Normal OP Olive
30	175566		Switch Ign 4 pos w/lights
33	140401		Key Ign
40	179735		Harness Ign.
41	17720408		Bolt Blk Fin Hex 1/4-20 x 1/2
42	131563		Cover Terminal Red
43	178861		Solenoid
45	122822X		Ammeter Rectangular
50	174653		Switch, PTO
52	141940		Protection wire Loop (Hour Meter)
55	17490508		Screw Thdrol 5/16-18 x 1/2
79	175242		Bulbholder
81	109748X		Relay Asm

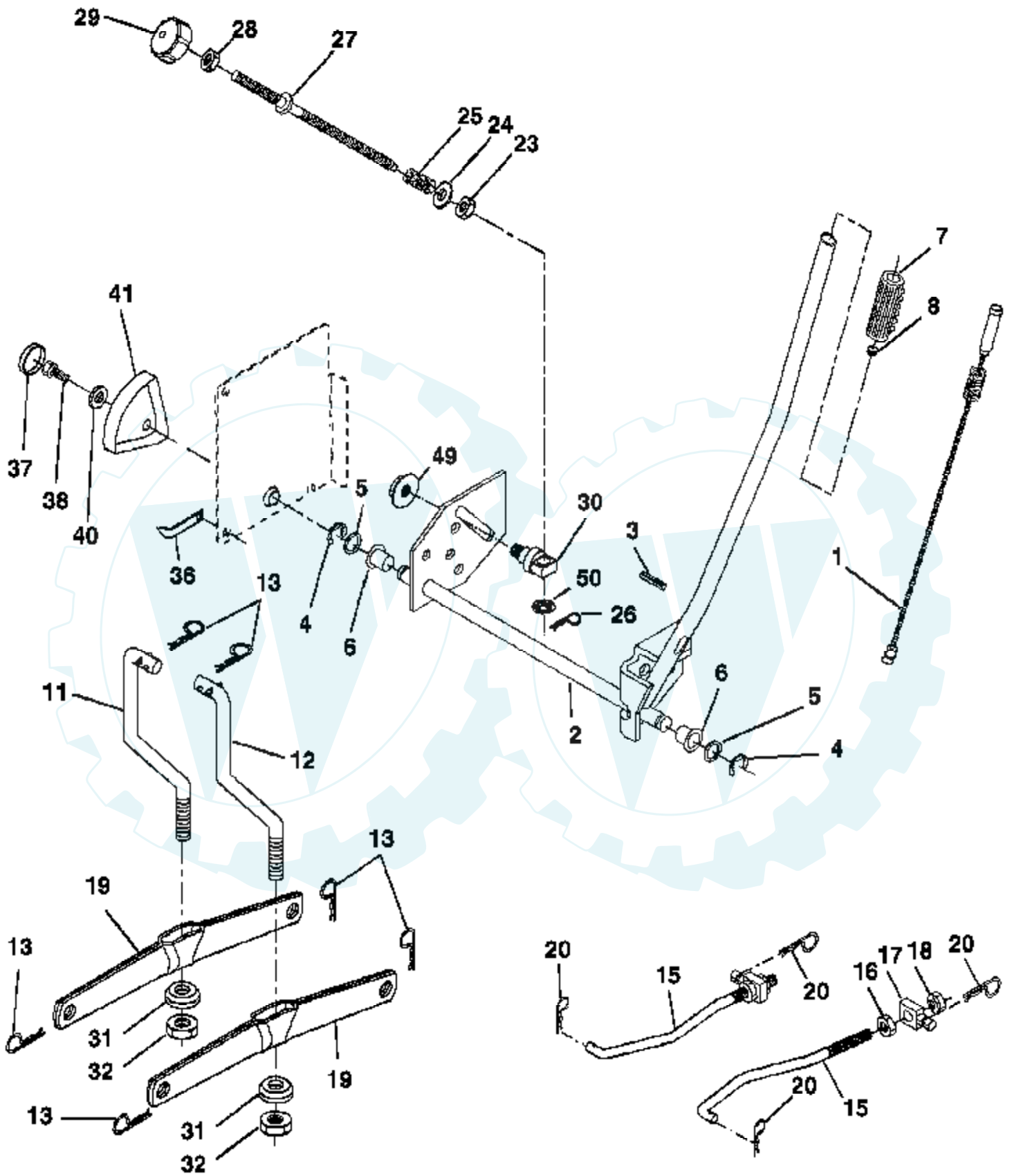


Ref #	Part Number	Qty	Description
1	175437X428		Control Throttle
3			Engine, Briggs Model 407777 (Order parts from engine mfg.)
4	149723		Muffler Asm Twin Lo-Tone
5	159955		Pipe Exhaust LH Intek
6	160589		Pipe Exhaust RH Intek
8	171877		Bolt 5/16-18 UNC x 3/4 w/Sems
10	162797		Shield Browning Intek II
13	165391		Muffler Gasket
14	13280336		Nipple Pipe 3/8 x 4-1/2"
15	13200300		Elbow STD 90 Degree 3/8-18 NPT
16	11050600		Washer Lock Ext Tooth 3/8
17	17060624		Screw Thdrol 3/8-16 x 1-1/2
23	169837		Shield Heat
25	175440X428		Choke Control
26	73920600		Nut, Keps 3/8-24 UNF
29	137180		Kit Spark Arrestor (Flat Scrn)
31	157103		Tank Fuel 3 50 Rear
32	140527		Cap Asm Fuel W/sym Vented
33	123487X		Clamp Hose Black
34	106082X		Pad, Spacer
37	8543R		Line Fuel
38			Order Part From Engine Mfg.
39			UNKNOWN
45	17000612		Screw Hexwsh Thdr 3/8-16 x 3/4
62	10040500		Washer Lock 5/16
72	71070512		Screw Hex Hd Cap 5/16-18 x 3/4
81	73510400		Nut Keps Hex 1/4-20 UNC
102	164863		Screw Hw Hd Hi-Lo #13-16 x 3/4

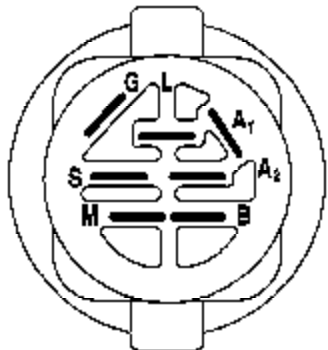
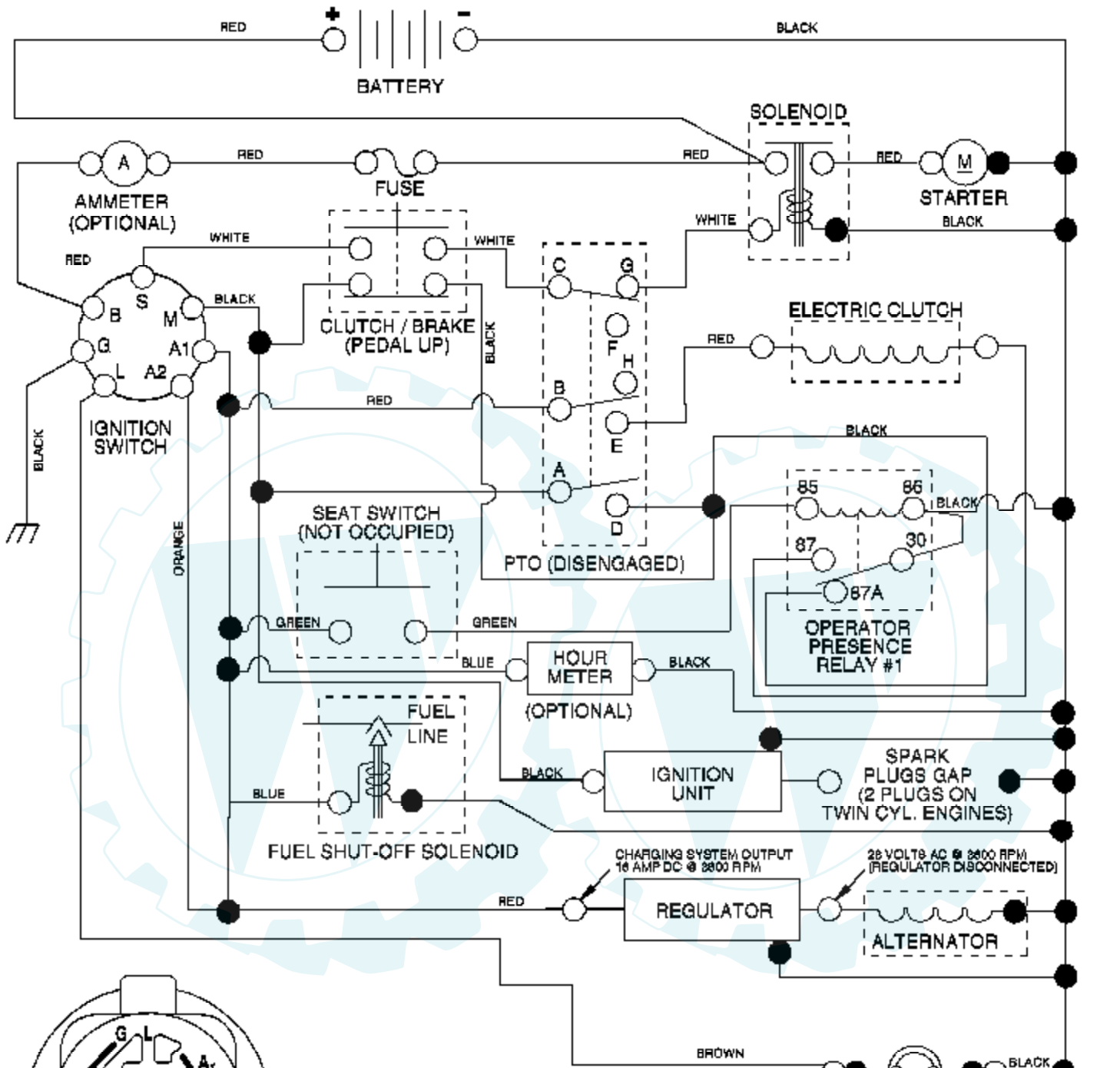


Ref #	Part Number	Qty	Description
1	182032X421		Mower Deck Assembly, 42"
2	72140506		Bolt
3	138017		Bracket Asm Fr. Sway Bar 3/42
4	165460		Bracket Asm Deck 42" Sway Bar
5	4939M		Retainer Spring
6	178024		Bar Sway Deck
8	850857		Bolt 3/8-24 x 25 Grade 8 patched
9	10030600		Washer, Lock
10	140296		Washer, Hardened
11	134149		Blade, Mulching 42" Std
	138498		Blade Mower 42" Hi-Lift Std
13	137645		Shaft Assembly, Mandrel, Vented
14	128774		Housing, Mandrel, Vented
15	110485X		Bearing, Ball, Mandrel
16	174493		Stripper, Mandrel Deck
18	72140505		Bolt, Carriage 5/16-18 x 5/8
19	132827		Bolt, Shoulder
20	159770		Baffle, Vortex
21	73680500		Nut
22	134753X421		Stiffener Bracket
23	131267X421		Bracket, Deflector Mower 42"
24	105304X		Cap, Sleeve 80 x 112 Blk Mower
25	123713X		Spring, Torsion, Deflector 2 52
26	110452X		Nut, Push Phos & Oil
27	130968X428		Shield, Deflector 42" Blk
28	19111016		Washer 11/32 x 5/8 x 16 Gauge
29	131491		Rod, Hinge 42" 6 75 W/G
30	173984		Screw Thdrol Washer Head
31	129963		Washer, Spacer Mower Vented
32	173436		Pulley, Mandrel
33	178342		Nut, Toplock Flange
34	72110614		Bolt
36	173438		Pulley, Idler, Flat
37	19131316		Washer 13/32 x 13/16 x 16 Gauge
40	73680600		Nut
44	140088		Guard, Mandrel, LH
45	4497H		Retainer
46	137729		Screw, Thdrol 1/4-20 x 5/8 T
54	133943		Washer, Hardened
55	155046		Arm, Idler
56	122052X		Spacer, Retainer
59	173442		Guard TUV Idler
61	174882		Spring Ext. Elect Clutch
68	174883		V-Belt, 42" Mower
90	74760616		Bolt Fin Hex 3/8-16 Unc x 1
91	180532		Bracket Asm Noseroller LH
92	73800600		Nut Lock Hex W/Ins 3/8-16unc
94	132264		Roller Nose 38 & 42
95	180533		Bracket Asm Noseroller RH
101	136420		Mulcher Cover
102	71081010		Screw Pan HD Phillip 10-24 x 5/8
103	19061216		Washer, Flat
104	10071000		Washer, Lock
105	160793		Latch Assembly
106	2029J		Nut, Weld
113	17060512		Screw Tapping 5/16 - 18 x 3/4
116	137644		Bolt, Shoulder
117	133957		Wheel, Gauge

Ref #	Part Number	Qty	Description
118	73930600		Nut Centerlock 3/8-16
119	19121414		Washer 3/8 x 7/8 x 14 Ga.
129	19131312		Washer 13/32 x 13-16 x 12 Ga.
130	74780616		Bolt Fin Hex 3/8-16 unc x 1 Gr. 5
131	72140608		Bolt RDHD 3/8-16 unc x 1
132	17060612		Screw 3/8-16 x .75
134	156941		Pin Head Pivot
135	159765X421		Brkt Asm Whl Ga. R.LH
136	155986		Bar Adjusting Gauge Wheel
137	72110505		Bolt Carr. 5/16-18 x 5/8
138	159763X421		Brkt Asm Whl Ga. R. RH
139	159767X421		Brkt Asm Whl Ga. F. RH
140	159768X421		Brkt Asm Whl Ga. F. LH
143	157109X421		Bracket Arm Idler 42"
144	173441		Keeper Belt 42" Clutch Cable
145	173437		Pulley Idler Flat
146	171977		Bolt Carriage Idler
148	169022		Spring Return Idler
149	165898		Retainer Spring Yellow
150	19091216		Washer 9/32 x 3/4 x 16 Ga.
159	72140614		Bolt Rdhd Sqn 3/8-16 UNC x 1-3/4
182	179126		Rod Roller Nose
183	163552		Retainer Spring
	130794		Mandrel Assembly (Includes Housing, Shaft and Shaft Hardware Only - Pulley Not Included)
	179942		Replacement Mower, Complete



Ref #	Part Number	Qty	Description
1	159461		Wire Asm Inner/Sprg W/plunger
2	159476		Shaft Asm Lift RH w/Inf
3	138284		Pin Groove
4	12000002		E Ring #5133-62
5	19211621		Washer 21/32 X 1 X 21 Ga
6	120183X		Bearing Nylon Blk 629 Id
7	125631X		Grip Handle
8	170770		Button Plunger
11	139865		Link Lift LH
12	139866		Link Lift RH
13	4939M		Retainer Spring
15	173288		Link Suspension Front
16	73350800		Nut Jam Hex 1/2-13 Unc
17	175689		Trunnion Front Susp.
18	73800800		Nut Lock w/Wsh 1/2-13unc
19	139868		Arm Asm Suspension Mower
20	163552		Retainer Spring
23	110807X		Nut Special
24	19131016		Washer 13/32 X 5/8 X 16 Ga
25	164024		Spring
26	169484		Retainer Clip
27	164543		Rod Adj Lift
28	73350600		Nut Hex Jam 3/8-16 Unc
29	138057		Knob Inf 3/8-16 Unc Blk W/sym
30	150233		Trunnion Infin Height
31	169865		Lift Pivot Bearing
32	73540600		Nut Crownlock 3/8-24
36	155097		Pointer Height Indicator
37	123935X		Plug Hole Blk 1.485/1.515 Dia.
38	17060516		Screw 5/16-18 x 1
40	19112410		Washer 11/32 x 1-1/2 10 Ga.
41	155098		Indicator Height STLT
49	145212		Nut Hex Flange Lock
50	110452X		Nut PUSh Phos & Oil



IGNITION SWITCH

POSITION	CIRCUIT	"MAKE"
OFF	M+G+A1	NONE
RUN/LIGHT	B+A1	A2+L
RUN	B+A1	NONE
START	B+S+A1	NONE

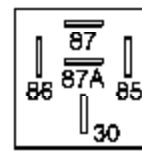
WIRING INSULATED CLIPS

NOTE: IF WIRING INSULATED CLIPS WERE REMOVED FOR SERVICING OF UNIT, THEY SHOULD BE REPLACED TO PROPERLY SECURE YOUR WIRING.

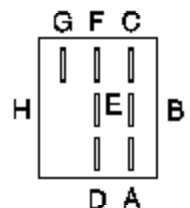
PTO SWITCH

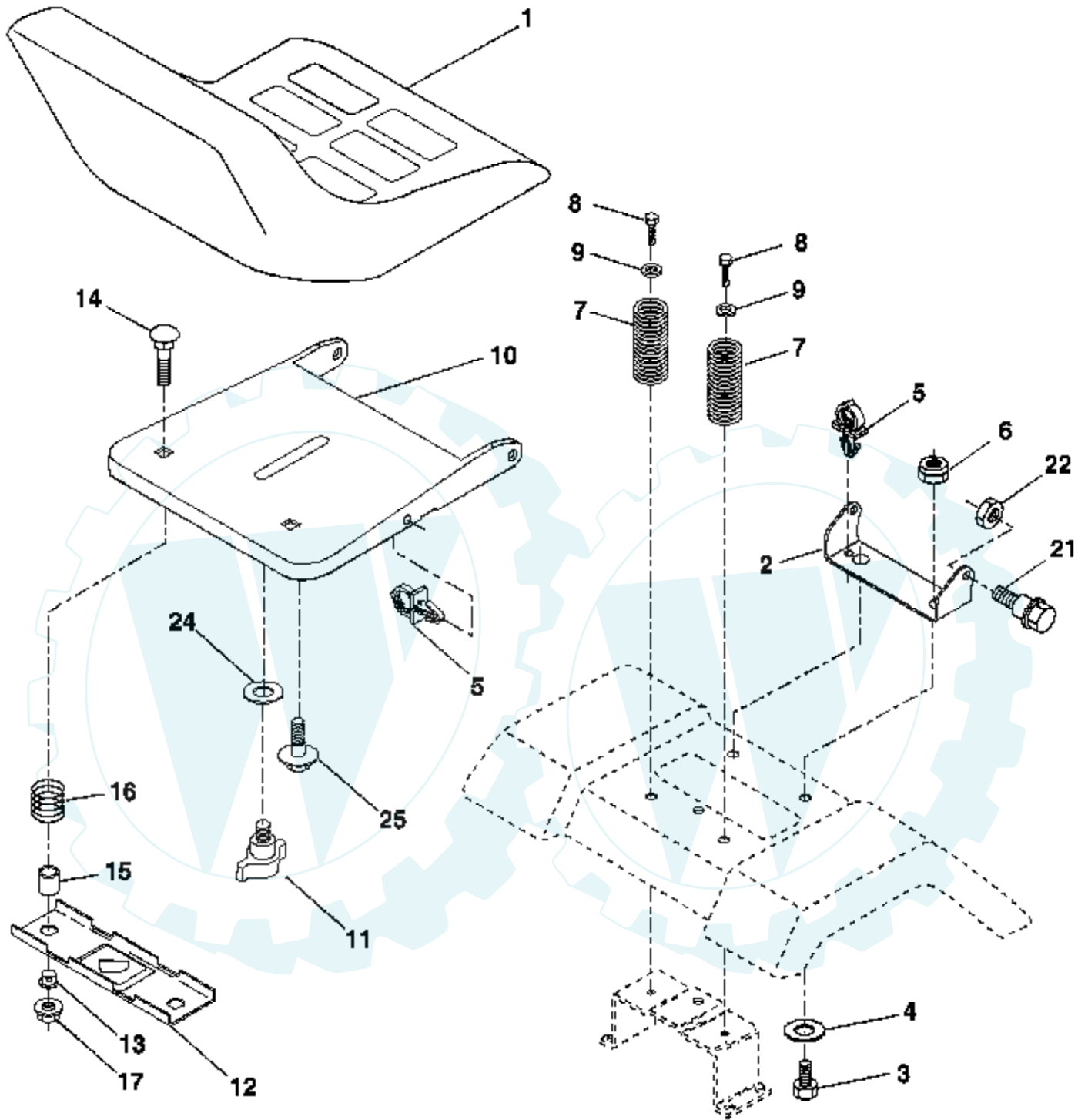
POSITION	CIRCUIT
OFF	C+G, B+H
ON	C+F, B+E, A+D

NON-REMOVABLE CONNECTIONS
 REMOVABLE CONNECTIONS

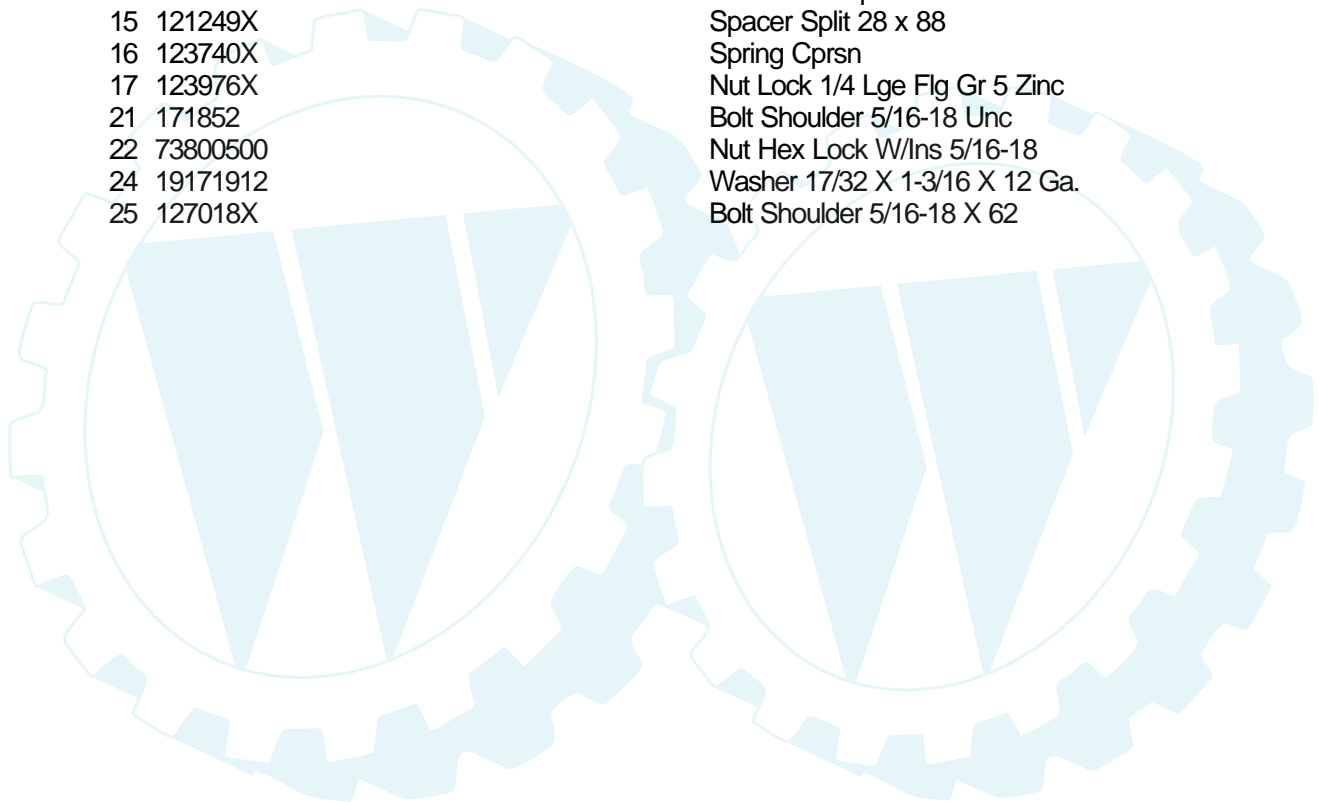


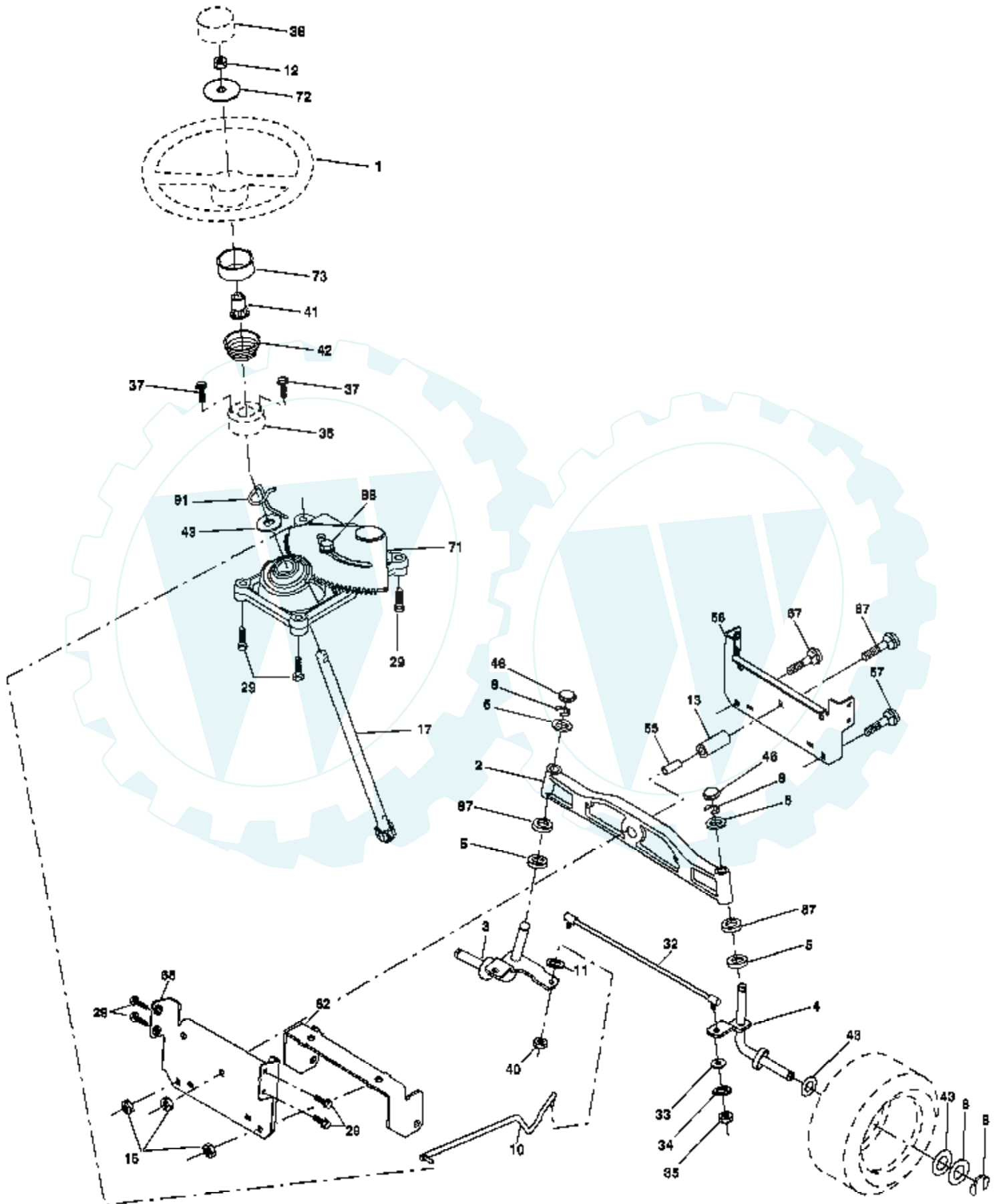
RELAY



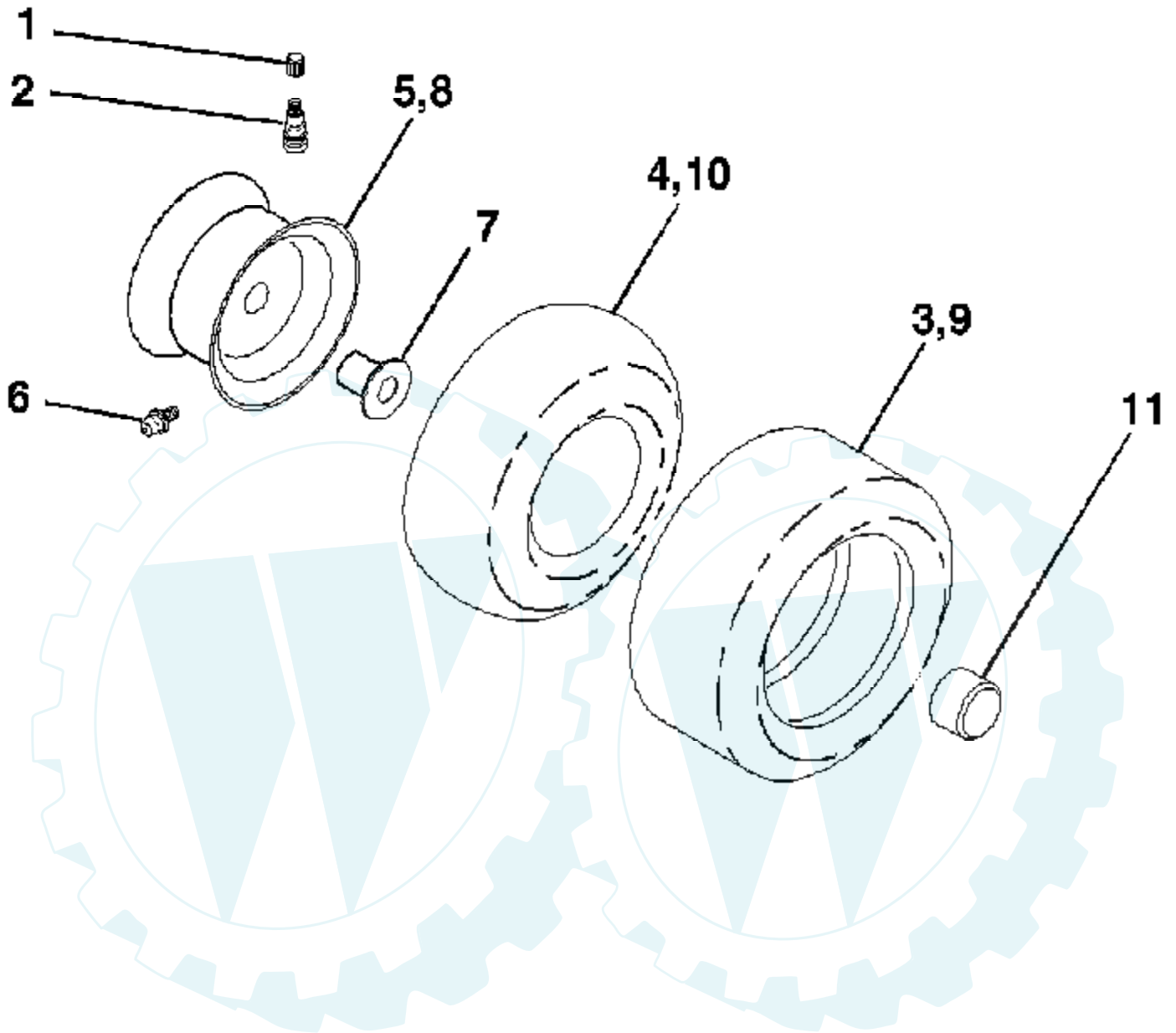


Ref #	Part Number	Qty	Description
1	171684		Seat
2	140551		Bracket Pivot Seat 8 720
3	71110616		Bolt Fin Hex 3/8-16 Unc x 1
4	19131610		Washer Flat 13/32 x 1 x 10 Ga.
5	145006		Clip Push-In
6	73800600		Nut Hex w/Ins. 3/8-16 Unc
7	124181X		Spring Seat Cprsn 2 250 Blk Zi
8	17000616		Screw 3/8-16 x 1
9	19131614		Washer 13/32 x 1 x 14 Ga.
10	174894		Pan Seat
11	166369		Knob Seat Adj. Wingnut
12	121246X		Bracket Mounting Switch
13	121248X		Bushing Snap Blk Nyl 50 Id
14	72050412		Bolt Rdhd Sqnk 1/4-20 x 1-1/2
15	121249X		Spacer Split 28 x 88
16	123740X		Spring Cprsn
17	123976X		Nut Lock 1/4 Lge Flg Gr 5 Zinc
21	171852		Bolt Shoulder 5/16-18 Unc
22	73800500		Nut Hex Lock W/Ins 5/16-18
24	19171912		Washer 17/32 X 1-3/16 X 12 Ga.
25	127018X		Bolt Shoulder 5/16-18 X 62





Ref #	Part Number	Qty	Description
1	180656		Wheel Steering
2	172393		Axle Cast Lt Machined
3	169840		Spindle Asm LH
4	169839		Spindle Asm RH
5	6266H		Bearing Race Thrust Harden
6	121748X		Washer 25/32 X 1-5/8 X 16 Ga
8	12000029		Ring Klip #t5304-75
10	175121		Link Drag
11	10040600		Washer Lock Hvy Hlcl Spr 3/8
12	73940800		Nut Hex Jam Toplock 1/2-20 UNF
13	136518		Spacer Brg Axle Front
15	145212		Nut Hex Flange Lock
17	177883		Shaft Asm Strg
29	17060612		Screw 3/8-16x3/4
32	171888		Rod Tie
33	19111216		Washer 11/32 x 3/4 x 16 Ga.
34	10040500		Washer Lock Hry Hlcl Spr 5/16
35	73540500		Nut Crownlock 5/16 - 24 UNF
36	155105		Bushing Strg
37	152927		Screw TT #32.5 x 5 x 3/8 Flange
38	180657		Cap Wheel Steer
40	7810H		Nut Lock Center 3/8-24 Unf
41	159945		Adaptor Wheel Strg
42	180856X428		Boot Steering
43	121749X		Washer 25/32 X 1 1/4 X 16 Ga
46	121232X		Cap Spindle Fr Top Blk
65	160367		Spacer Brace Axle
67	72140618		Bolt Rdhd Sqn 3/8-16 x 2-1/4
68	169827		Brace, Axle
71	175146		Steering Asm.
72	19182411		Washer 9/16 ID x 1/20 OD 11 Ga.
73	160135X428		Extension Steering
82	169835		Bracket Susp Chassis Front
87	173966		Washer Flat .781 x 1-1/2 x .14
88	175118		Bolt Shoulder 7/16-20 Unc
91	175553		Clip



Ref #	Part Number	Qty	Description
1	59192		Cap Valve Tire
2	65139		Stem Valve
3	170455		Tire F T 15 X 6 0 - 6 Service
4	59904		Tube Front (Service Item Only)
5	106732X421		Rim Asm 6" front Service
6	278H		Fitting Grease (Front Wheel Only)
7	9040H		Bearing Flange (Front Wheel Only)
8	106108X421		Rim Asm 8" rear Service
9	170456		Tire R T 20 x 10 -8 C Service
10	7152J		Tube Rear (Service Item Only)
11	104757X421		Cap Axle 1 50 X 1 00
	144334		Sealant, Tire (10 oz. Tube)

