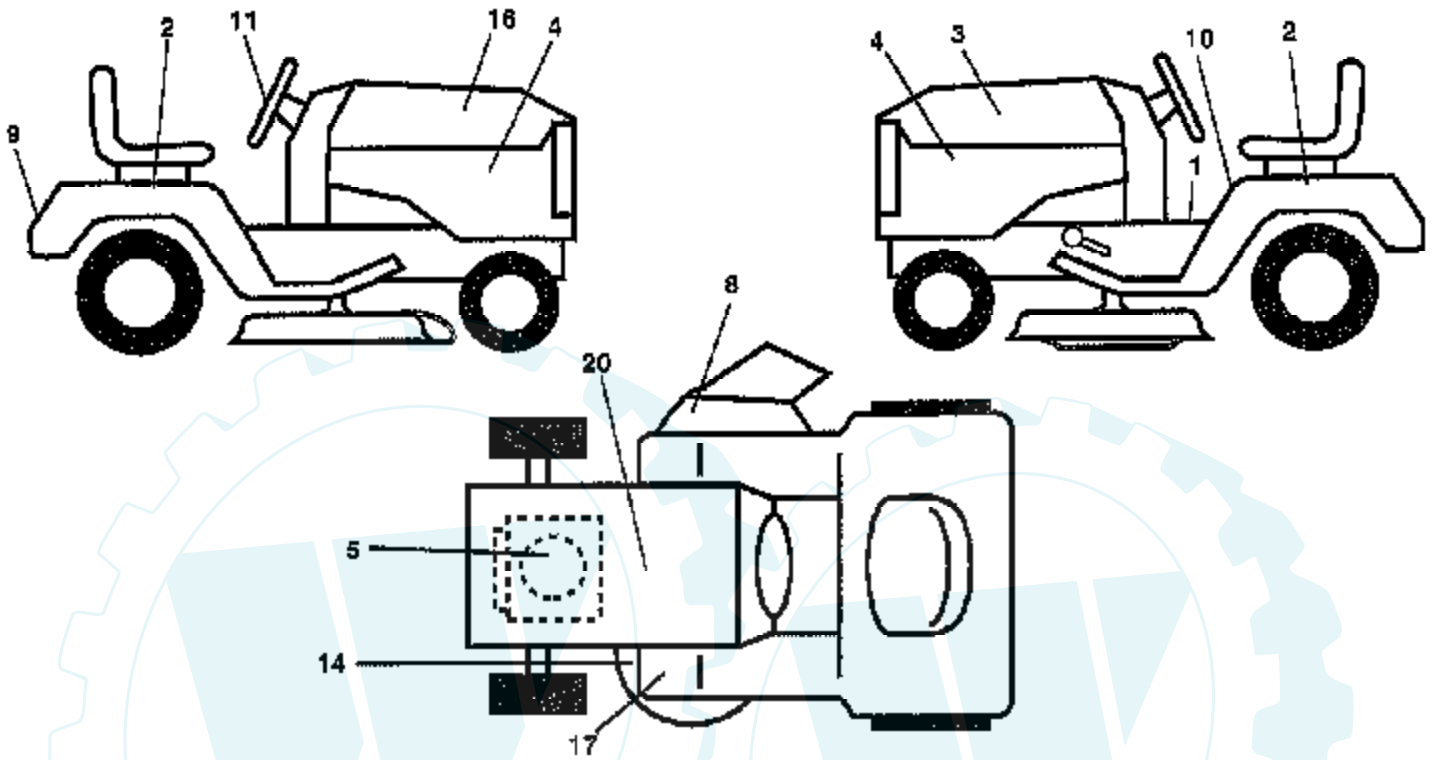




Ref #	Part Number	Qty	Description
1	169830		CHASSIS
2	169061		DRAWBAR
3	17060612		SCREW
9	170510		DASH
10	72140608		SUB= 72110608
11	170810		PANEL DASH
12	145660		CLIP.TINNERMAN
13	172108		PANEL DASH
17	159639X428		"HOOD W/TRIM,MS428"
18	126938X		SUB= 532126938
20	156437		"PLATE-MTG,BATT/FU"
23	124028X		SUB= 532124028
24	74780616		BOLT
25	19131312		WASHER
26	73800600		NUT
28	170474		GRILLE
29	170472X599		LENS
30	167287X428		FENDER
31	137113		BRKT.ASM.FENDER
33	145244X428		FOOTREST PNT LH
34	145243X428		FOOTREST.RH.LT/GT
35	72110606		BOLT
37	17490508		SCREW LT
38	169834		BRKT ASM PIVOT MOWER REAR
44	140675		STRAP ASM FENDER
49	17490412		SCREW HEX CRT
50	142779		BRACE SUPT DASH
51	73800400		NUT
52	19091416		WASHER
53	144697		BRACKET.GRILLE.LH
54	161464		SCREW.HEX.WS.HD
55	144696		BRACKET.GRILLE.RH
57	74780412		SUB= 74780414
64	154798		DASH-LOWER
68	73510400		NUT
142	165867		PLATE.REINFORCEMENT
159	163975X428		CUPHOLDER.YTGT
195	166822X428		PANEL PNT FENDER YT/GT
196	17580408		SCREW CRT
206	170165		BOLT SHOULDER
207	17670508		SCREW
208	17670608		SCREW
212	156229		INSERT LENS REFLECT

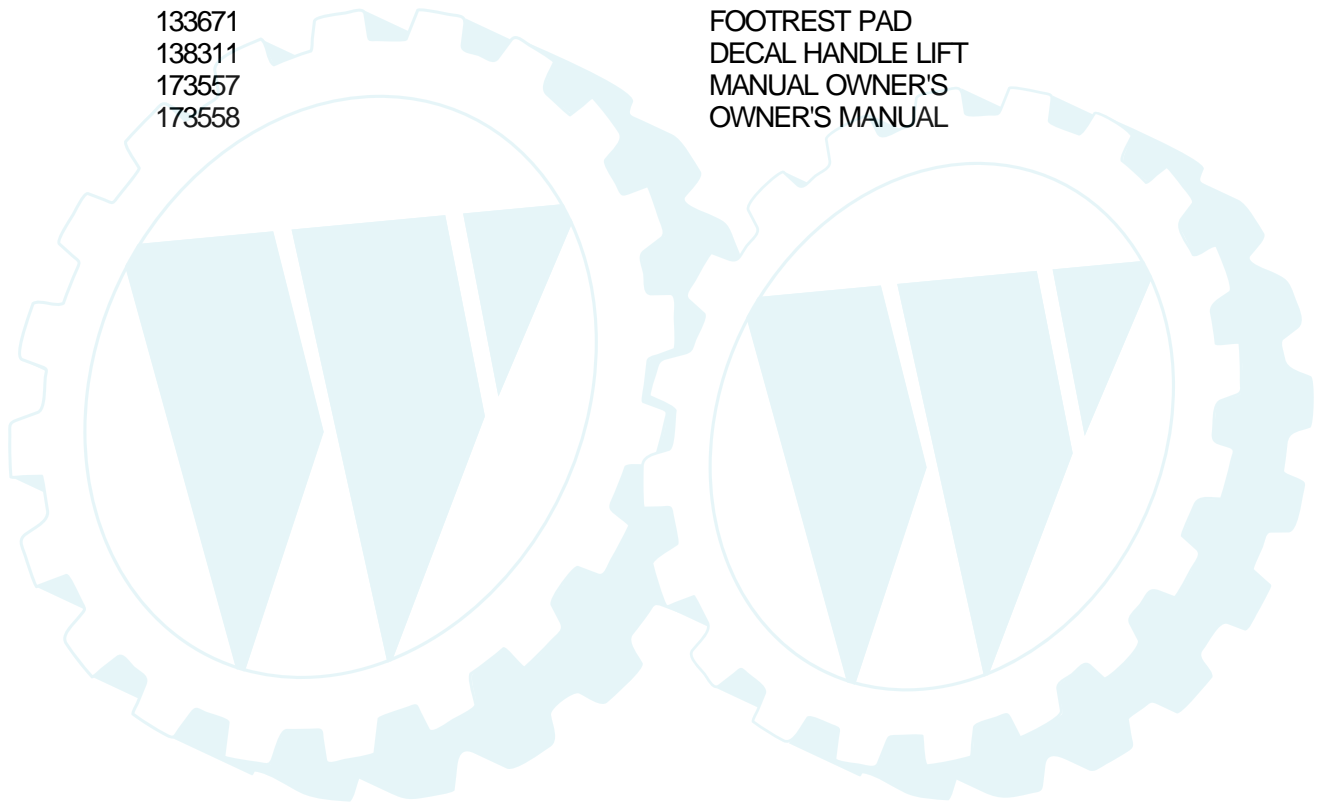
## TRACTOR - MODEL NUMBER PR20H46STA

### DECALS



**NOTE:** All component dimensions given in U.S. Inches  
1 Inch = 25.4 mm

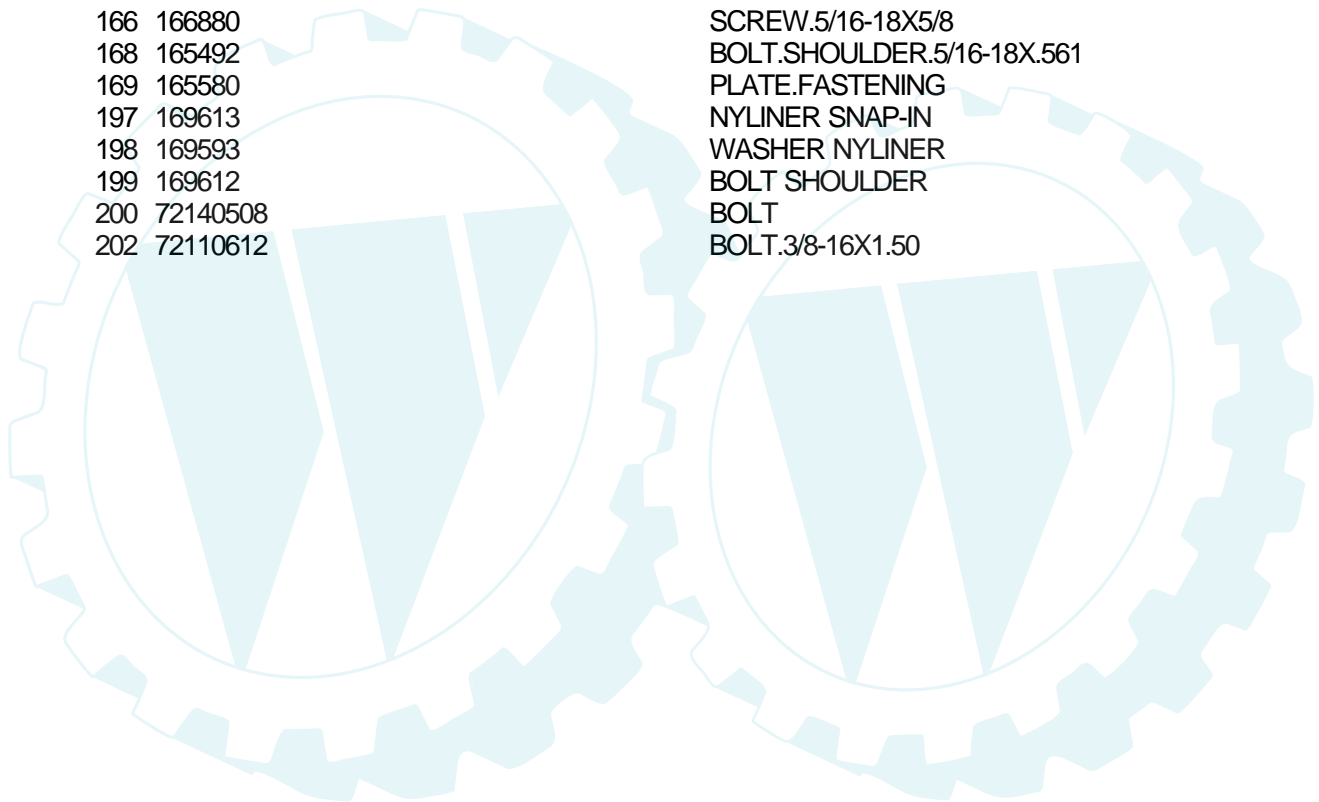
Ref #	Part Number	Qty	Description
1	156993		DECAL SADDLE OPER
2	172753		DECAL, FENDER
3	172738		DECAL
4	172754		DECAL, SIDE PANEL
5	170851		DECAL, ENGINE
8	170563		DECAL
9	172740		DECAL
10	157140		DECAL.CAUT.ENG/FR
11	172743		DECAL
14	160397		SUB= 532160397
16	172737		DECAL
17	101892X		DECAL T
20	145005		DECAL.BATRY.3-3908
	169210		DECAL BY PASS LT HYDRO
	133671		FOOTREST PAD
	138311		DECAL HANDLE LIFT
	173557		MANUAL OWNER'S
	173558		OWNER'S MANUAL





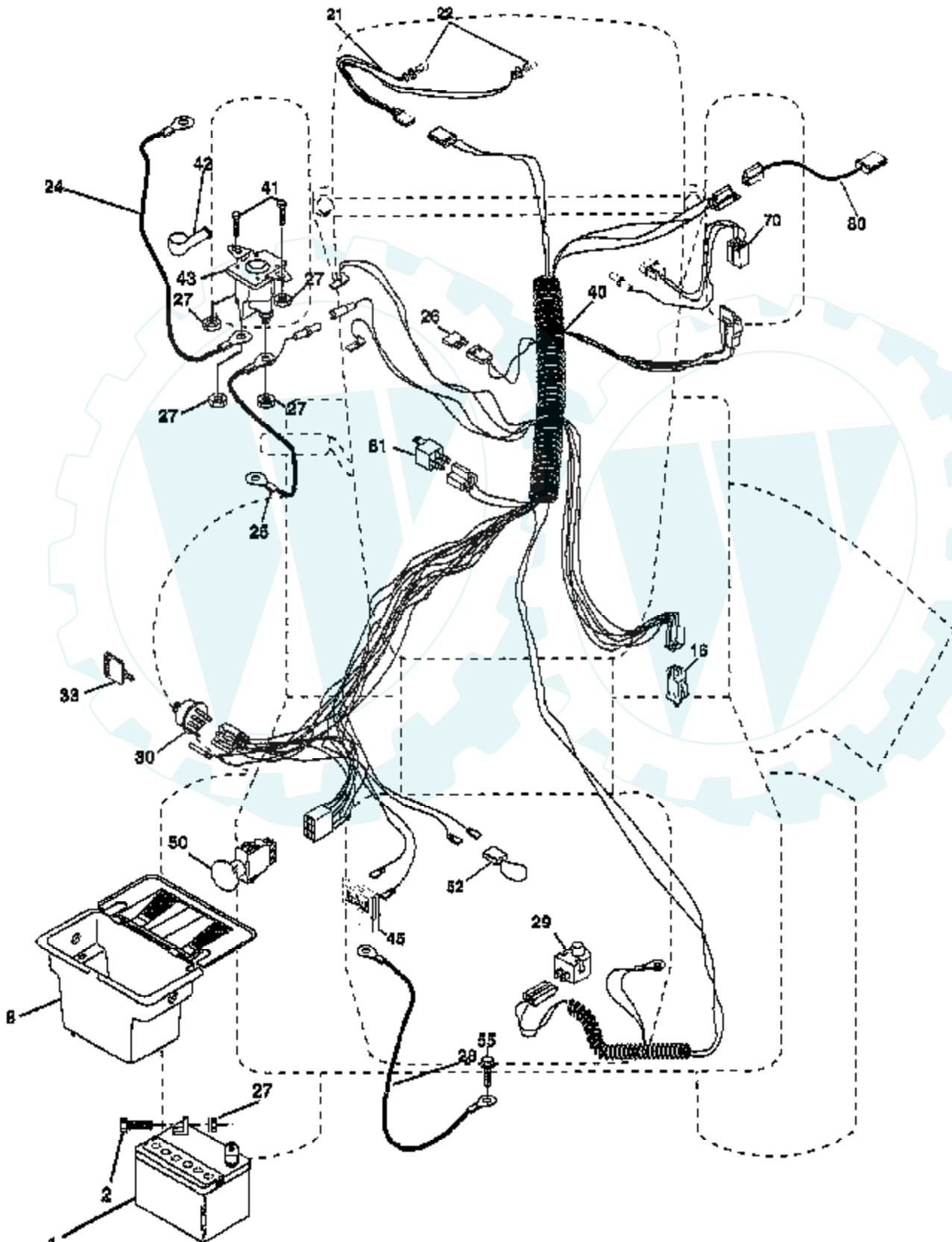
Ref #	Part Number	Qty	Description
1	SUPPLIER		CHECK WITH SUPPLIER
8	166020		ROD.SHIFT.FEND.ADJ.YT
9	160889		CLUTCH.ELECTRIC
10	76020416		PIN COTTER 1/8
14	10040400		LOCKWASHER
15	74490544		BOLT.HX.FLG.5/16
16	73800500		NUT
19	73800600		NUT
20	150280		BOLT.7/16-20X4.25
21	140845		KNOB DLX BLK/BLK
22	169498		ROD BRAKE HYDRO
23	171258		BRKT ASM
24	73350600		NUT
25	106888X		SPRING ROD LT
26	19131316		WASHER
27	76020412		COTTER PIN
28	145204		ROD.BRAKE.PARK.LT
29	71673		PLUNGER CAP T
30	169592		BRACKET MTG TRANSAXLE
32	74760512		BOLT
33	72140506		BOLT
34	155071		SHAFT ASM-PEDAL F
35	120183X		NYLON BEARING
36	19211616		WASHER LT
37	1572H		SUB= 2882J
38	131494		FLAT IDLER PULLEY
39	74760644		BOLT
40	4470J		SPACER T
41	165838		"KEEPER,BELT.IDLER FLAT"
42	19131312		WASHER
47	127783		SUB= 139245
48	154407		BELLCRANK.CLUTCH
49	123205X		RETAIN BELT
50	74760624		SUB= 74930624
51	73680600		SUB= 73690600
52	73680500		SUB= 73690500
53	105710X		"LINK, CLUTCH T"
55	105709X		"SPRING, RETURN LT"
56	74760620		SUB= 74780620
57	140294		"BELT.GD DRV 82""
59	169691		KEEPER BELT SPAN CTR
61	17060612		SCREW
62	8883R		PEDAL COVER T
63	145868		PULLEY.CLUTCH.EVX
65	10040700		LOCKWASHER
66	154778		KEEPER-BELT
69	142432		SCREW HEXWSH H-L
71	169183		STRAP TORQUE LH HYDRO
73	169182		STRAP TORQUE RH HYDRO
74	169496		SPACER
75	121749X		WASHER
76	12000001		E-RING LT
77	123583X		SQUARE KEY
78	121748X		WASHER
81	165596		SHAFT
82	123782X		"SPRING,TORSION"
83	19171216		WASHER
84	169594		LINK TRANSAXLE

Ref #	Part Number	Qty	Description
89	164892X428		CONSOLE.SHIFT.AUTO.YT/GT.BLACK
95	170201		CONTROL ASSY
96	4497H		RETAINER M
144	19111016		WASHER
150	165850		BUSHING.BELLCRANK.GRD.DR
151	19133210		WASHER
156	166002		WASHER.SRRTD.5/16
158	165589		BRKT.SHIFT.MOUNT
159	165494		HUB.SHIFT
161	72140406		BOLT T
162	73680400		SUB= 73690400
163	74780416		NLA
164	19091010		WASHER.5/8X.281X10GA
165	165623		BRKT.PIVOT.LEVER
166	166880		SCREW.5/16-18X5/8
168	165492		BOLT.SHOULDER.5/16-18X.561
169	165580		PLATE.FASTENING
197	169613		NYLINER SNAP-IN
198	169593		WASHER NYLINER
199	169612		BOLT SHOULDER
200	72140508		BOLT
202	72110612		BOLT.3/8-16X1.50



### TRACTOR - MODEL NUMBER PR20H46STA

### ELECTRICAL

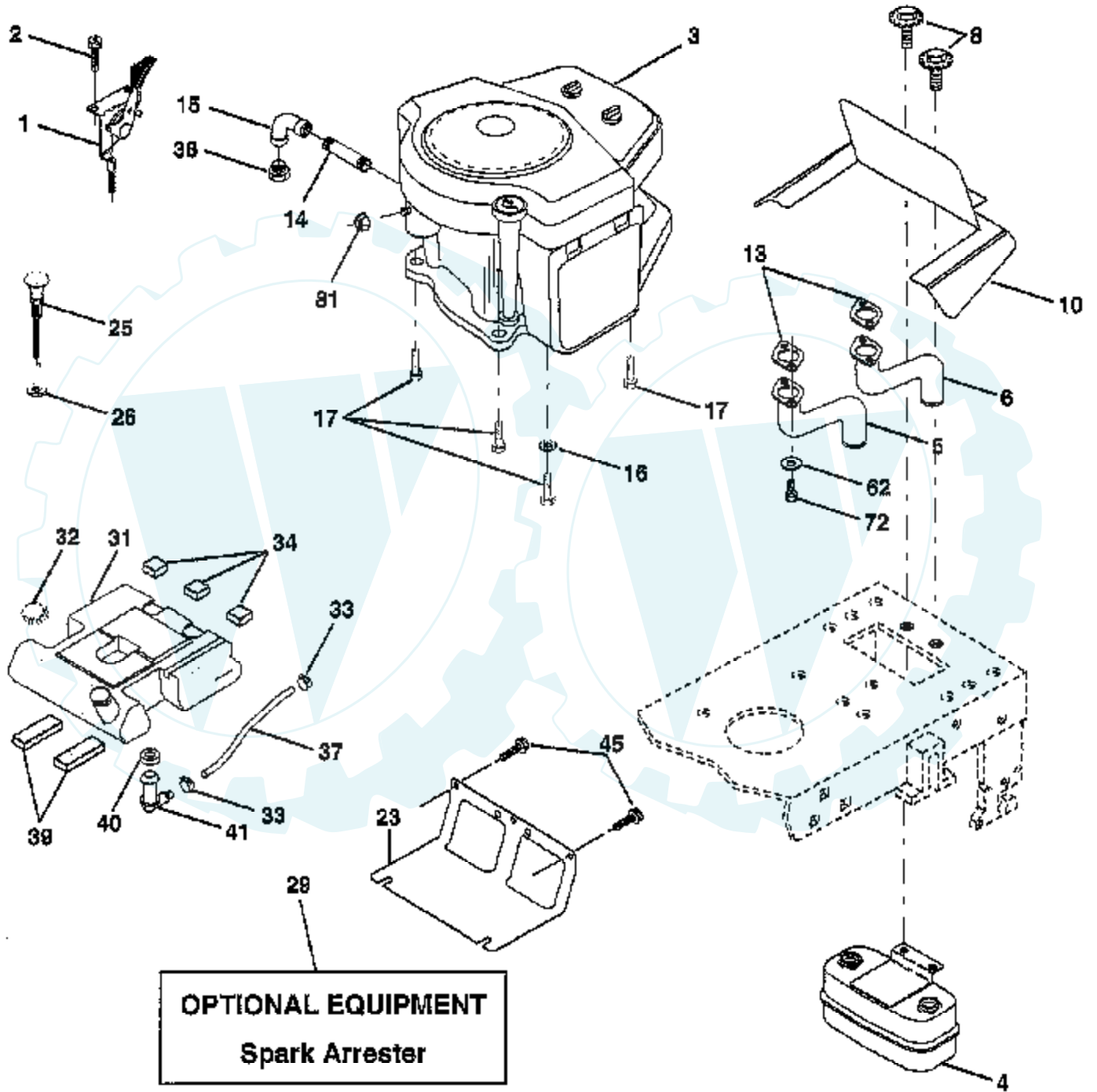




Ref #	Part Number	Qty	Description
1	163465		SUB= 123899X
2	74760412		BOLT LT
8	7603J		"TRAY T, BATTERY"
10	145211		SUB= 150177
11	150109		HOLDDOWN BATTERY
12	145769		SUB= 150177
16	153664		SWITCH INTERLOCK
21	166181		HARNESS.ASM.LIGHT W/4152J
22	4152J		HEADLAMP BULB
24	4799J		"CABLE T, BATTERY"
25	146148		CABLE.6GA.22W/16W
26	166180		FUSE.15 AMP
27	73510400		NUT
28	145491		CABLE.GRND.6GA.21
29	160784		SWITCH.PLUNGER
30	163968		SWITCH.IGN.
33	140401		KEY MLD GEN DELTA
40	170722		HARNESS IGN
41	71110408		BOLT HXHD FIN
42	131563		SUB= 154336
43	145673		SUB= 146154
45	122822X		AMMETER
50	170057		SWITCH
52	141940		PROTECTION LOOP
55	17490508		SCREW LT
70	170247		HARNESS
80	146685		HARNESS.CLUT.EVX.
81	109748X		RELAY ASSY T

# TRACTOR - MODEL NUMBER PR20H46STA

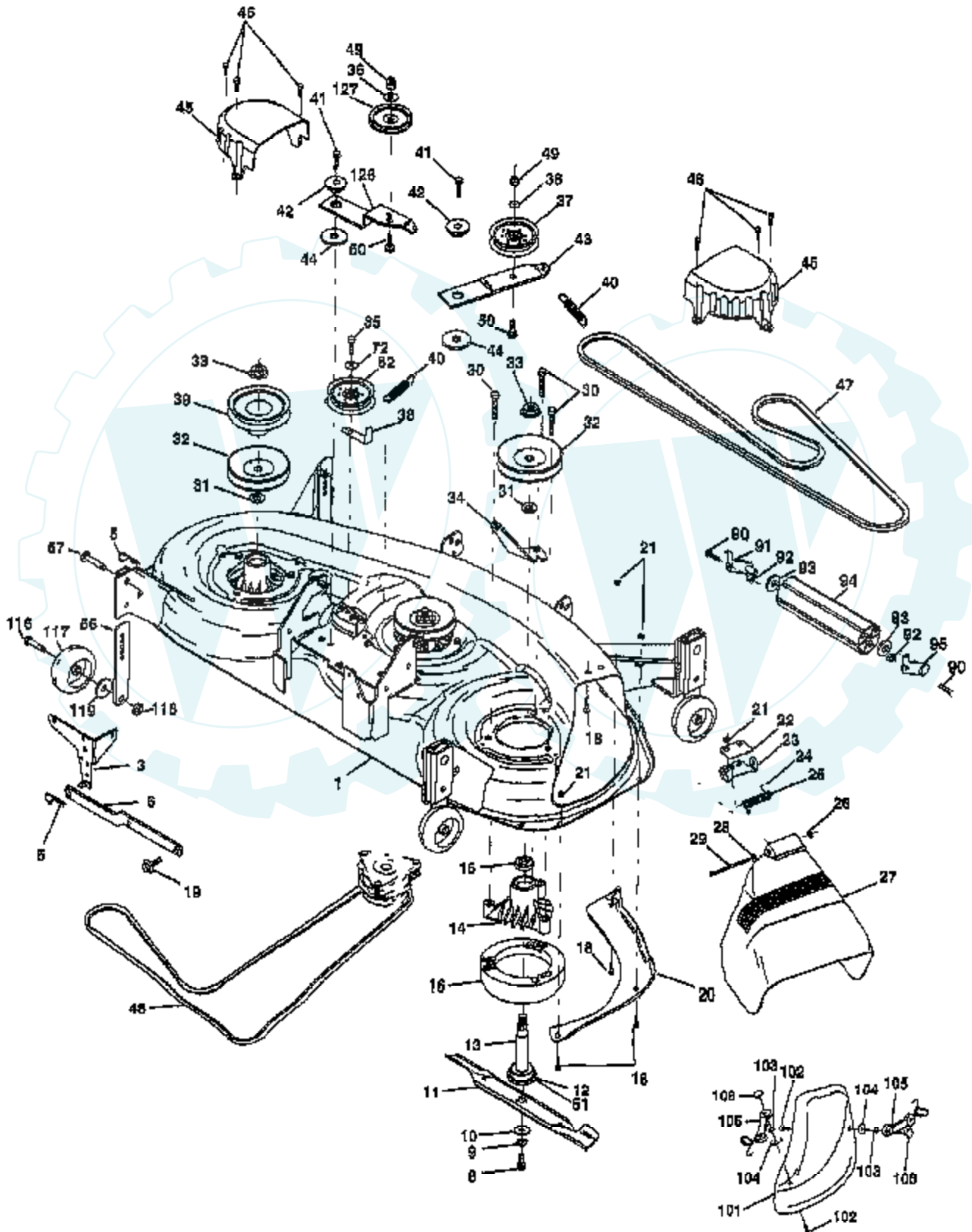
## ENGINE



Ref #	Part Number	Qty	Description
1	148875		CONTROL THROT. LH
2	17720410		SCREW LT
3	SUPPLIER		CHECK WITH SUPPLIER
4	149723		MUFFLER.TW.LOTONE
5	159955		TUBE MANIFOLD LH
6	160589		TUBE MANIFOLD RH
8	150176		BOLT.5/16-18.UNC
10	162797		SHIELD.BROWNING
13	165391		SUB= 273485
14	13280336		PIPE NIPPLE LT
15	13200300		ELBOW
16	11050600		LOCKWASHER
17	17490624		SCREW LT
23	169837		SHIELD BROWNING
25	145996		CONTROL.CHOKE.37
26	73920600		"NUT,KEPS 3/8-24IM"
29	137180		SUB= 532137180
31	151346		TANK FUEL REAR
32	140527		CAP ASM FUEL
33	123487X		HOSE CLAMP
34	106082X		PAD-SPACER LT
37	8543R		FUEL LINE T
38	SUPPLIER		CHECK WITH SUPPLIER
39	109227X		PAD IDLER TI
40	3645J		BUSHING OUTLET T
41	139277		STEM.TANK.FUEL
45	17000612		SCREW
62	10040500		LOCKWASHER
72	71070512		SCREW
81	73510400		NUT

### TRACTOR - MODEL NUMBER PR20H46STA

### MOWER DECK



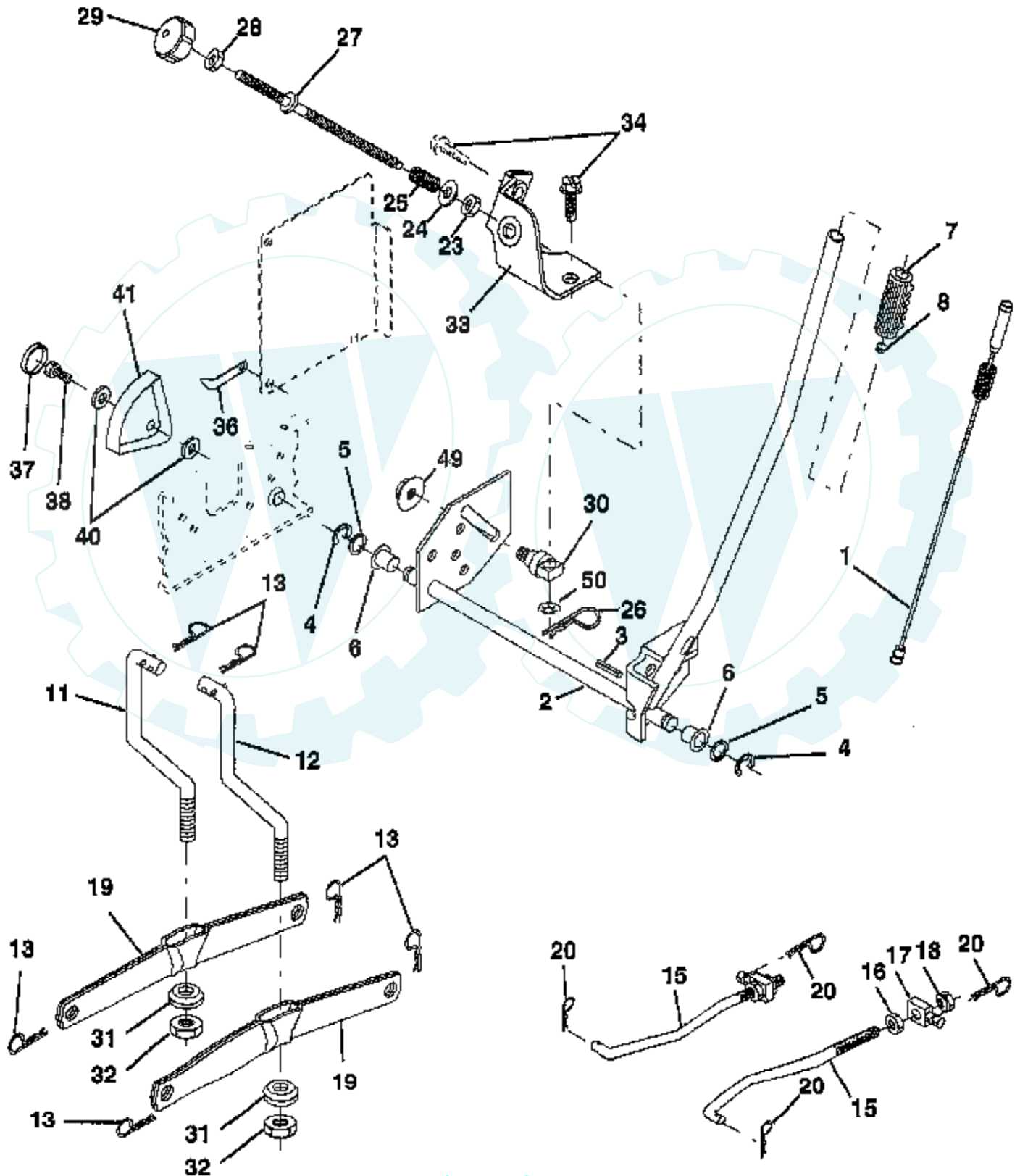
Ref #	Part Number	Qty	Description
1	164811X421		46" DECK ASM
3	138457		BRKT.ASM.SW.44/50
5	4939M		SUB= 85902
6	130832		SUB= 130833
8	850857		BLADE BOLT
9	10030600		SUB= 10040600
10	140296		WASHER.HARD.BLADE
11	170698		BLADE
11	152443		SUB= 918152443
12	129895		BEARING.BALL
13	137553		SHAFT.ASM.W/BRNG
14	137152		HOUSING.MAND.44.V
15	110485X		BEARING
16	140329		STRIPPER RND MWR
18	72140505		BOLT
19	132827		BOLT SHD 5/16-18
20	145055		BAFFLE.VORTEX.46
21	73680500		SUB= 73690500
22	134753X421		STIFFENER BRACKET
23	131267X421		BRACKET DEFLBRACKET DEFLECTOR MOWER 42"
24	105304X		CAP-SLEEVE LT
25	149287		SUB= 123713X
26	110452X		NUT PUSH M
27	166883X428		SHIELD
28	19111016		WASHER
29	131491		HINGE ROD
30	157722		"SCREW-THD ROLL,WA"
31	129963		WASHER
32	173434		PULLEY
33	137266		SUB= 139729
34	144945X421		ANCHOR
35	17490628		SCREW LT
36	19131316		WASHER
37	173438		PULLEY
38	173900		KEEPER
39	173899		PULLEY
40	137273		"SPRING.SEC.44""VEN"
41	17060620		SCREW
42	122052X		SPACER RETAINER
43	144949X421		ARM
44	133943		HARDENED WASHER
45	145059		COVER.MANDREL.46
46	137729		SCREW.1/4-20X5/8
47	144959		BELT-V.SEC.46.KEL
48	148763		BELT.MWR.PRM.85.4
49	73680600		SUB= 73690600
50	72110612		BOLT.3/8-16X1.50
51	153390		WASHER.FELT.
52	173901		PULLEY
56	155986		SUB= 155986X505
57	156941		RIVET-PAN HEAD
72	19131616		WASHER HYT
90	74760616		BOLT
91	132274		SUB= 532132274
92	73800600		NUT
93	19171416		WASHER
94	132264		SUB= 532132264
95	132273		SUB= 532132273

Ref #	Part Number	Qty	Description
101	145579		COVER.MULCHING.
102	71161010		SCREW
103	10071000		LOCKWASHER
104	19061216		WASHER #10
105	160793		LATCH ASSY.BAGGER
106	2029J		WELDNUT
116	137644		BOLT.SHOULDER
117	133957		WHEEL GAGE DONUT
118	73930600		LOCKNUT
119	19121414		WASHER
126	144948X421		ARM
127	173902		PULLEY
	143651		MANDREL SERV ASM
	173559		MOWER SERV



### TRACTOR - MODEL NUMBER PR20H46STA

### MOWER LIFT

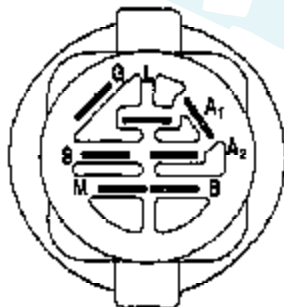
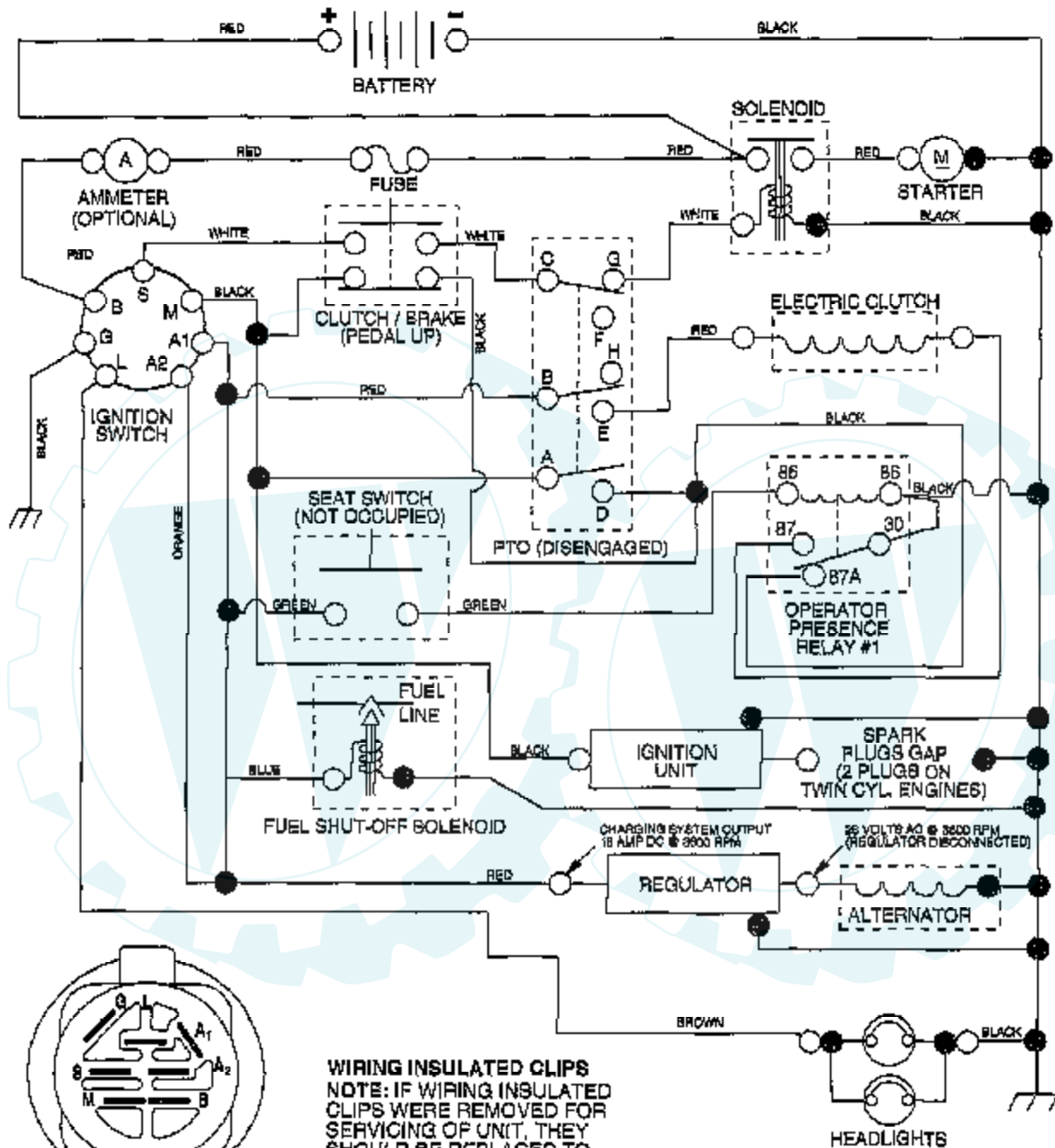


Ref #	Part Number	Qty	Description
1	159460		WIRE ASM W.SPRING
2	159471		"SHAFT ASM LIFT,RH"
3	105767X		PIN-GROOVE LT
4	12000002		SUB= 2225J
5	19211621		WASHER
6	120183X		NYLON BEARING
7	125631X		GRIP HANDLE
8	170770		BUTTON PLUNGER
11	139865		SUB= 918139865
12	139866		SUB= 151140
13	4939M		SUB= 85902
15	173288		LINK, FRONT
16	73350800		NUT
17	130171		TRUNION
18	73800800		NUT.LK.W/WSH.1/2.
19	139868		ARM SUSP REAR
20	163552		RETAINER SPRING
23	110807X		NUT T
24	19131016		WASHER
25	2876H		SPRING T
26	169484		RETAINER CLIP
27	126971X		SUB= 532126971
28	73350600		NUT
29	138057		KNOB INF 3/8-16
30	150233		TRUNNION
31	140302		BEARING PVT LH
32	73540600		NUT.CROWNLOCK.3/8
33	170757		BRACKET
34	17670608		SCREW
36	155097		POINTER-INDICAT
37	123935X		"PLUG,HOLE"
38	17060516		SCREW
40	19112410		WASHER
41	155098		INDICATOR HEIGHT
49	145212		NUT.HXFLG.LOCK.
50	110452X		NUT PUSH M



TRACTOR - MODEL NUMBER PR20H46STA

SCHEMATIC



IGNITION SWITCH

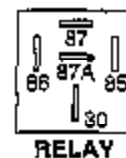
POSITION	CIRCUIT	MAKE
OFF	M+G+A1	NONE
RUN/LIGHT	B+A1	A2+L
RUN	B+A1	NONE
START	S+G+A1	NONE

**WIRING INSULATED CLIPS**  
NOTE: IF WIRING INSULATED CLIPS WERE REMOVED FOR SERVICING OF UNIT, THEY SHOULD BE REPLACED TO PROPERLY SECURE YOUR WIRING.

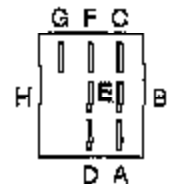
PTO SWITCH

POSITION	CIRCUIT
OFF	C+G, B+H
ON	C+F, B+E, A+D

● NON-REMOVABLE CONNECTIONS  
○ REMOVABLE CONNECTIONS

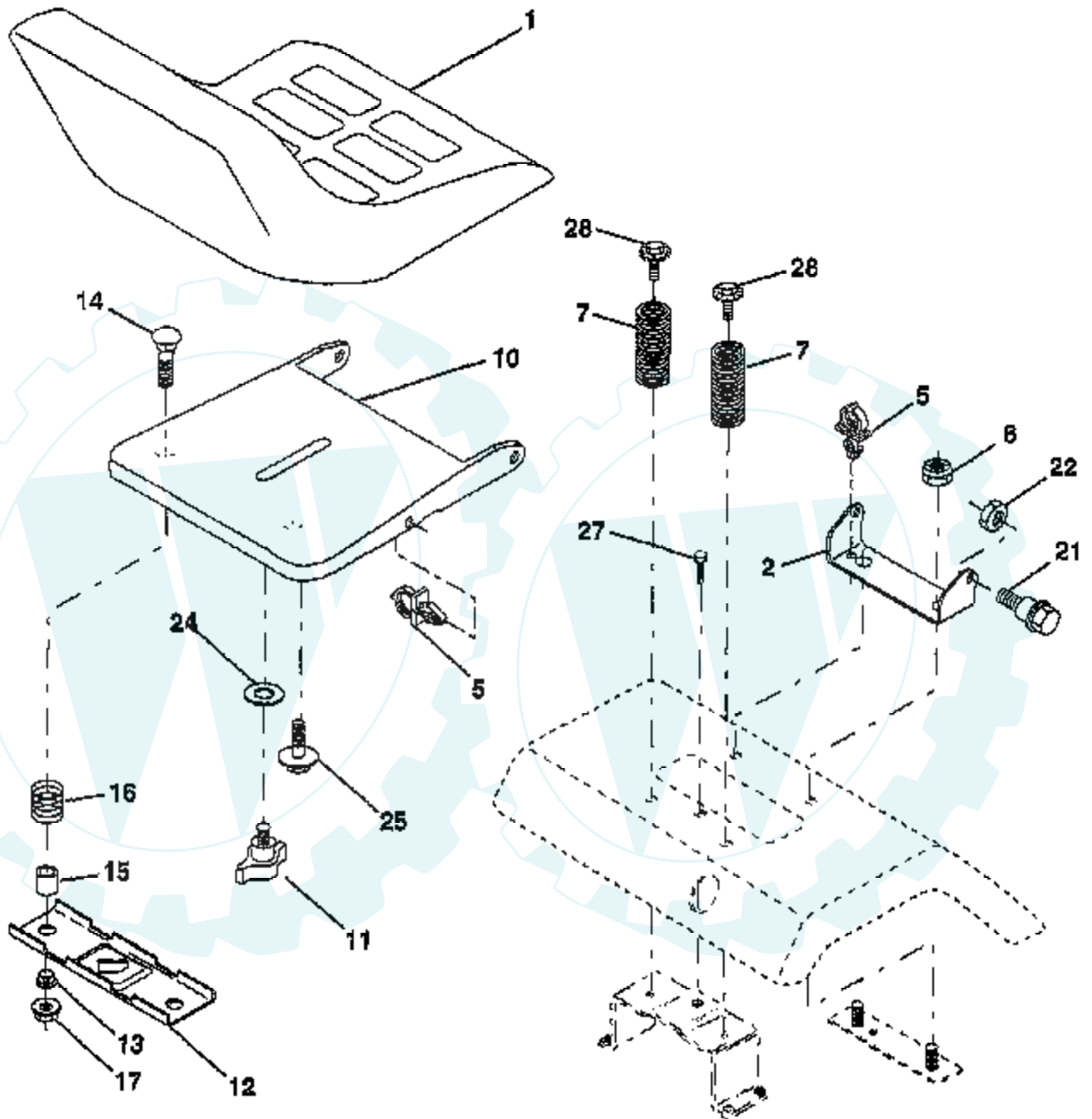


RELAY



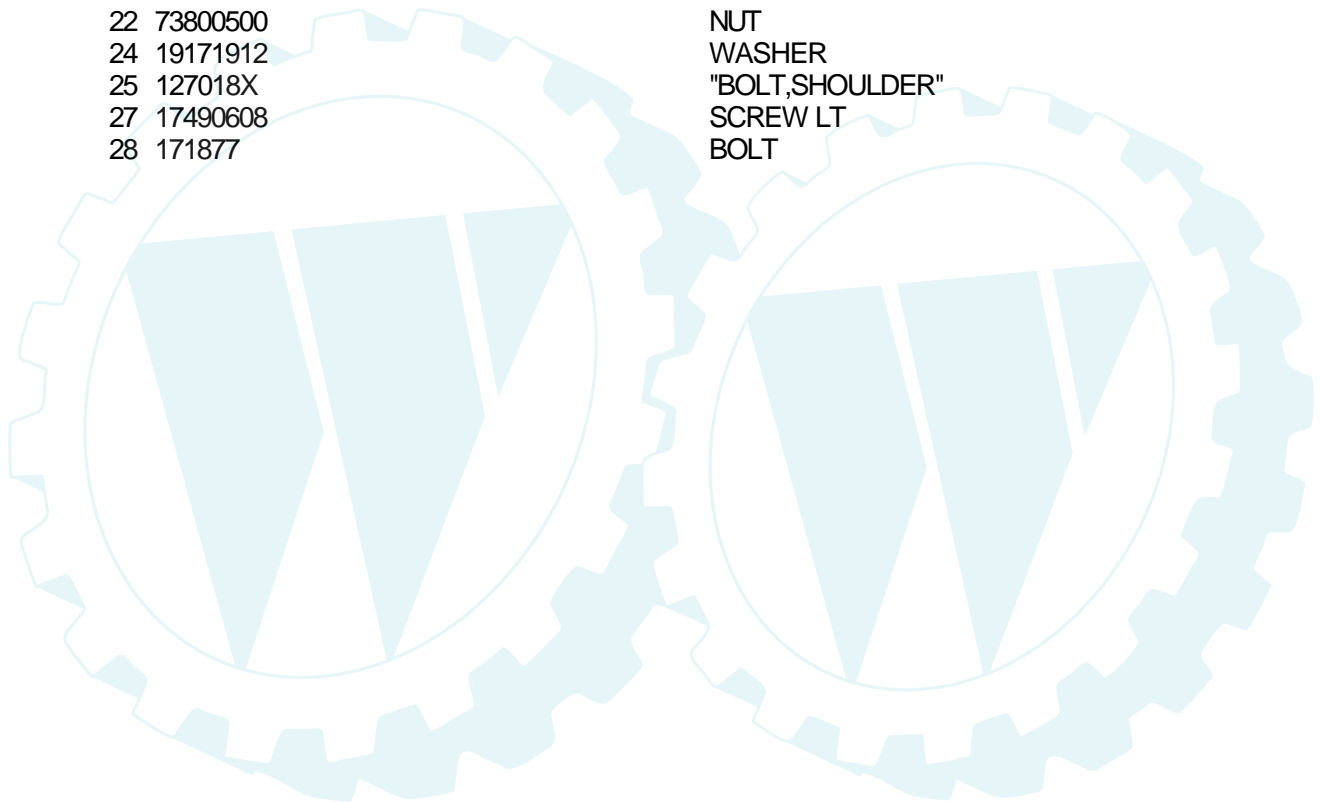
# TRACTOR - MODEL NUMBER PR20H46STA

## SEAT ASSEMBLY



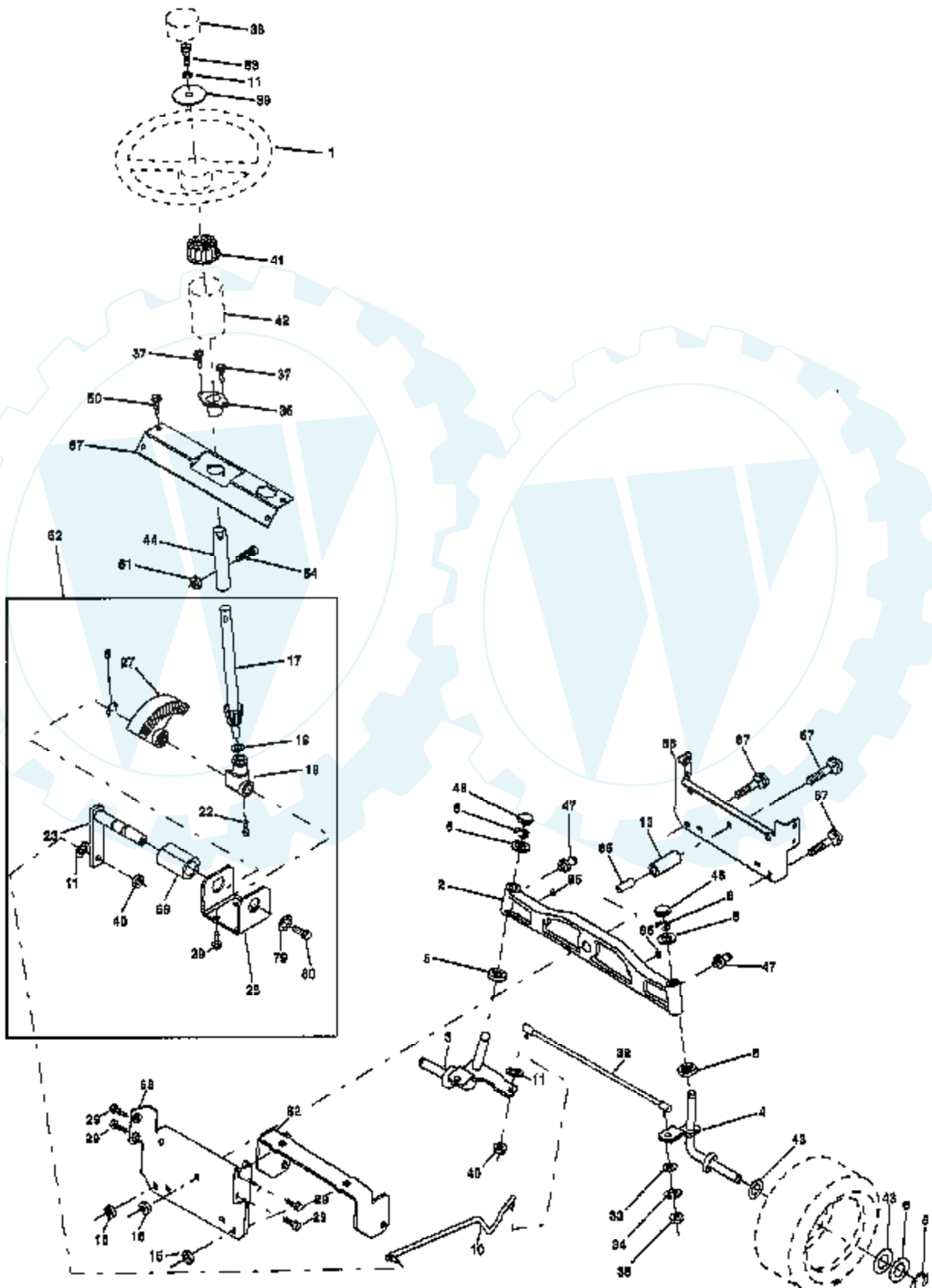
**NOTE:** All component dimensions given in U.S. inches.  
1 inch = 25.4 mm

Ref #	Part Number	Qty	Description
1	171684		SEAT
2	140551		BRACKET PVT SEAT
5	145006		CLIP.PUSH-IN.HING
6	73800600		NUT
7	124181X		SPRING COMPRESSIO
10	155925		PAN-SEAT
11	166369		KNOB.SEAT.ADJ.WINGNUT
12	121246X		BRKT SWITCH
13	121248X		BUSHING
14	72050412		BOLT-RD HD SQ NK
15	121249X		SPACER SPLIT
16	123740X		SPRING COMPRESSED
17	123976X		SUB= 73900400
21	171852		BOLT
22	73800500		NUT
24	19171912		WASHER
25	127018X		"BOLT,SHOULDER"
27	17490608		SCREW LT
28	171877		BOLT



# TRACTOR - MODEL NUMBER PR20H46STA

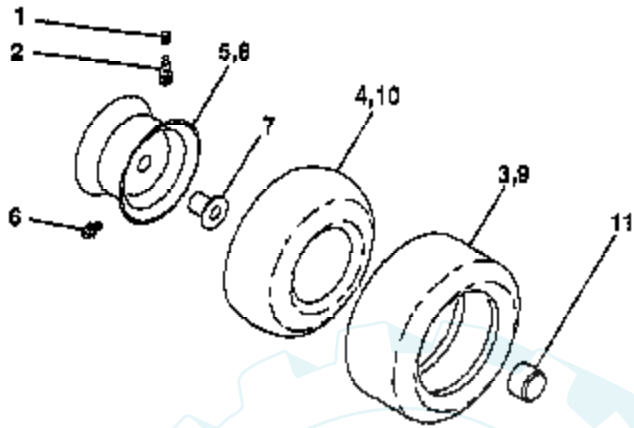
## STEERING ASSEMBLY



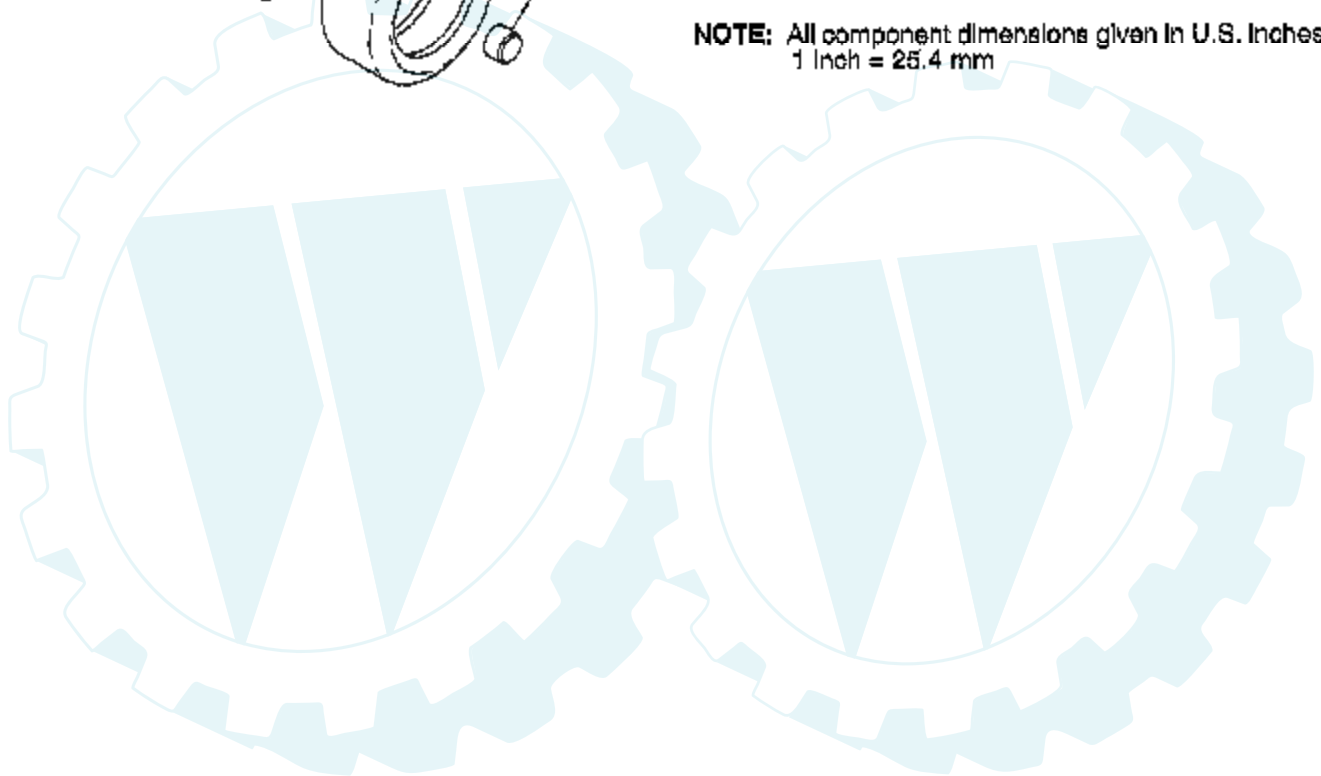
Ref #	Part Number	Qty	Description
1	159944X428		WHEEL.STEERING
2	165854		AXLE ASSY
3	169840		SPINDLE ASM
4	169839		SPINDLE ASM
5	6266H		WASHER .T
6	121748X		WASHER
8	12000029		RING
10	169832		LINK DRAG
11	10040600		LOCKWASHER
13	136518		SPACER BEARING
15	145212		NUT.HXFLG.LOCK.
17	156546		SHAFT ASM STEERIN
18	57079		THRUST WASHER
19	160395		SUPPORT.SHAFT.STEER
22	165857		SCREW.HX.WSH.HD
23	165851		SHAFT.ASM.PITMAN
25	154406		BRKT-STEERING
27	136874		GEAR SECTOR
29	17060612		SCREW
32	171888		ROD TIE
33	19111216		WASHER M
34	10040500		LOCKWASHER
35	73540500		CROWNLOCK NUT
36	155104		BUSHING.STR.623
37	152927		"SCREW-TT,10-32 FL"
38	159946X428		INSERT.CAP.STRG.WH
39	19132411		WASHER
40	7810H		GRIPCO NUT
41	159945		ADAPTOR.WHEEL.STG
42	170768X428		BOOT STEERING
43	121749X		WASHER
44	153720		EXT SHAFT STEERIN
46	121232X		CAP
47	6855M		ZERK M
50	17670412		SCREW
51	73800500		NUT
54	74780520		BOLT
57	140172		SUPPORT SHAFT STR
62	167902		KIT.STEER.ASM
63	74780616		BOLT
65	160367		"SPACER BRCAE,AXLE"
66	154404		"BEARING-ARM,PITMA"
67	72140618		BOLT RDHD 3/8-16
68	169827		BRACE AXLE
79	19132012		WASHER
80	74950612		BOLT.HX.NYLON3/8-16X3/
82	169835		BRKT SUSP CHASSIS FRT
85	133835		XMAS TREE FASTNER

## TRACTOR - MODEL NUMBER PR20H46STA

### WHEELS & TIRES



**NOTE:** All component dimensions given in U.S. Inches  
1 inch = 25.4 mm



Ref #	Part Number	Qty	Description
1	59192		VALVE CAP
2	65139		VALVE STEM LT
3	170455		TIRE
4	PARTSIMAGE		REFER TO PARTS IMAGE
4	59904		TUBE.5.3/4.5/6
5	106732X421		RIM.FRONT.6.YELLO
6	278H		FITTING LT
7	9040H		"FLANGE, BEARING"
8	106108X421		SUB= 106108X416
9	170456		TIRE
10	PARTSIMAGE		REFER TO PARTS IMAGE
10	7152J		TUBE.18X9.5-8
11	104757X		HUB CAP
	144334		SEALANT.TIRE 10 OZ. TUBE

