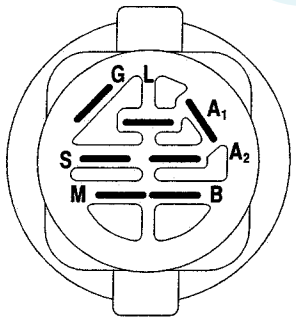
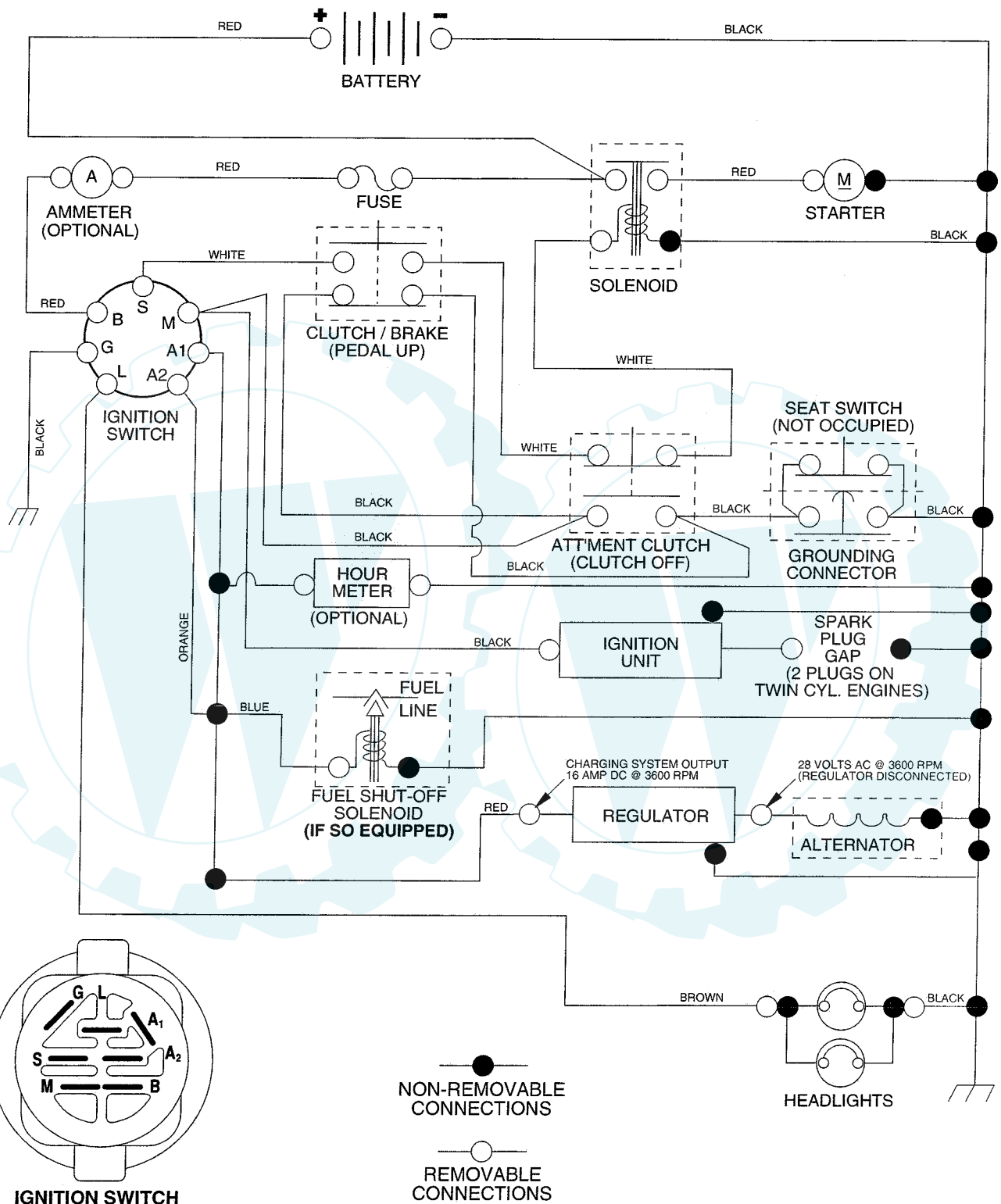


SCHEMATIC



IGNITION SWITCH

| POSITION | CIRCUIT | "MAKE" |
|-----------|------------|--------|
| OFF | M+G+A1 | NONE |
| RUN/LIGHT | B+A1 | A2+L |
| RUN | B+A1 | NONE |
| START | B + S + A1 | NONE |

● ——— ●
NON-REMOVABLE CONNECTIONS

○ ——— ○
REMOVABLE CONNECTIONS

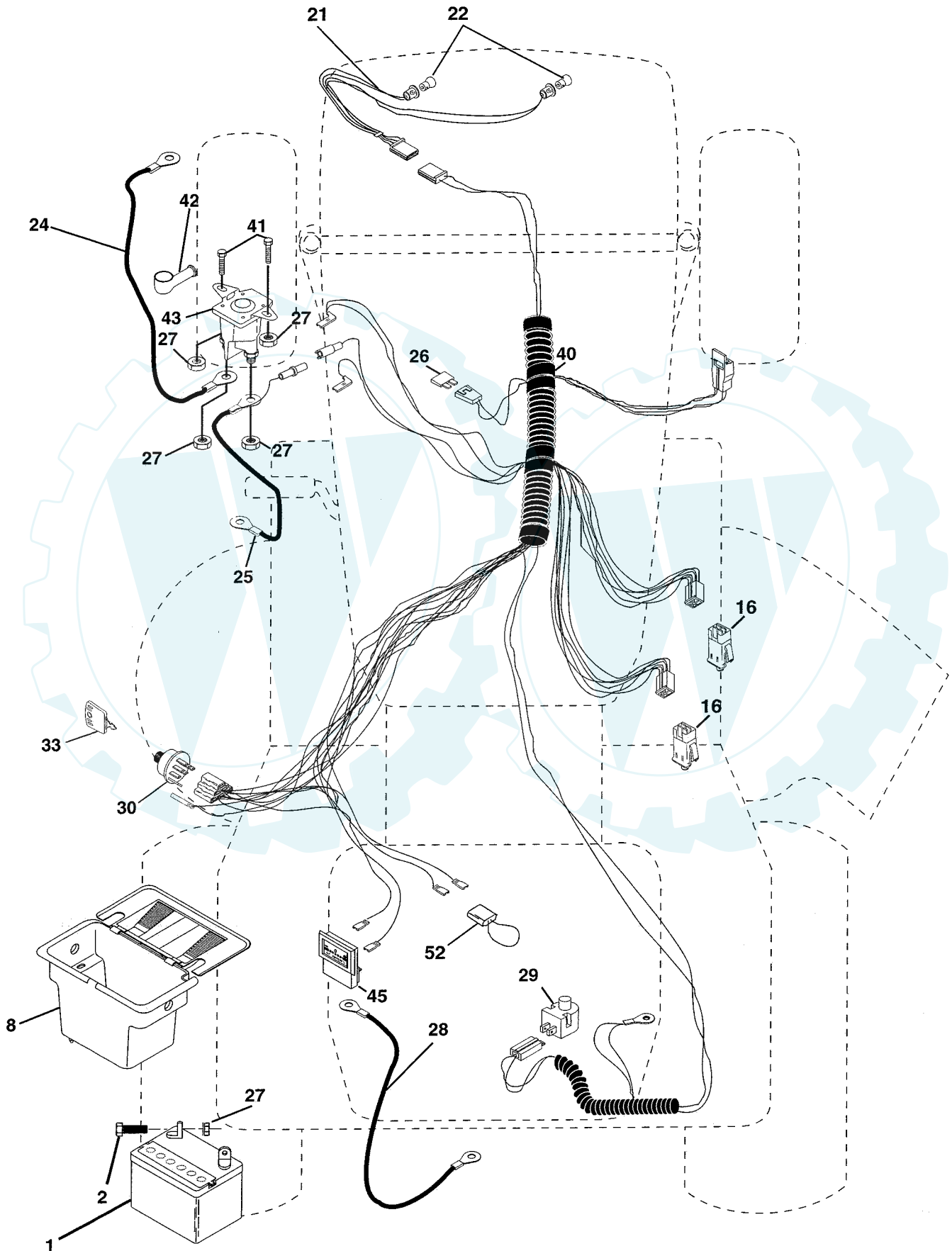
WIRING INSULATED CLIPS

NOTE: IF WIRING INSULATED CLIPS WERE REMOVED FOR SERVICING OF UNIT, THEY SHOULD BE REPLACED TO PROPERLY SECURE YOUR WIRING.

REPAIR PARTS

TRACTOR - - MODEL NUMBER PR20H42STD

ELECTRICAL



ELECTRICAL

| KEY NO. | PART NO. | DESCRIPTION |
|---------|----------------|----------------------------------|
| 1 | 163465 | Battery |
| 2 | 74760412 | Bolt Hex Hd 1/4-20unc X 3/4 |
| 8 | 156417 | Case Battery Mech Hinge |
| 16 | 153664 | Switch Interlock Push-In |
| 21 | 166181 | Harness Socket Light |
| 22 | 4152J | Bulb, Light # 1156 |
| 24 | 4799J | Cable Battery |
| 25 | 146147 | Cable Battery 6 Ga Red w/16 wire |
| 26 | 175158 | Fuse 20 Amp |
| 27 | 73510400 | Nut Keps Hex 1/4-20 Unc |
| 28 | 4207J | Cable Ground 6ga 12 black |
| 29 | 121305X | Switch Plunger Nc Gray |
| 30 | 175566 | Switch Ign |
| 33 | 140401 | Key Ign Molded Generic |
| 40 | 178437 | Harness Ign |
| 41 | 71110408 | Bolt Fin Hex 1/4-20uncx 1/2 |
| 42 | 131563 | Cover Terminal Red |
| 43 | 178861 | Solenoid |
| 45 | 122822X | Ammeter Rectangular |
| 52 | 141940 | Protection Loop |

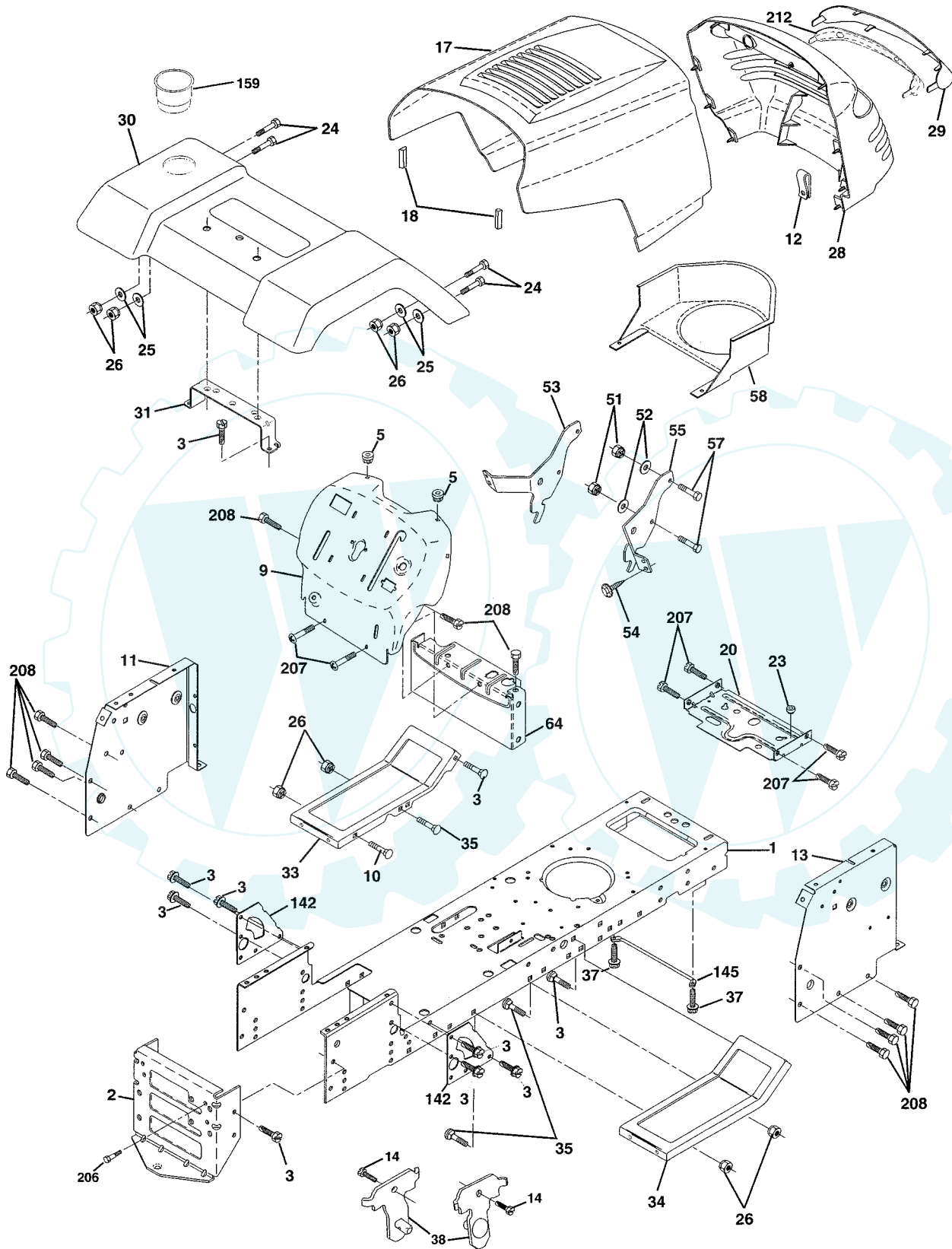
NOTE: All component dimensions given in U.S. inches
1 inch = 25.4 mm

REPAIR PARTS

www.ersatzteil-service.de

TRACTOR - - MODEL NUMBER PR20H42STD

CHASSIS



TRACTOR - - MODEL NUMBER PR20H42STD

CHASSIS

| KEY NO. | PART NO. | DESCRIPTION |
|---------|---------------|---------------------------------|
| 1 | 174619 | Chassis |
| 2 | 176554 | Drawbar |
| 3 | 17060612 | Screw 3/8-16 X .75 |
| 5 | 155272 | BumperHood/Dash |
| 9 | 168337X012 | Dash P/L |
| 10 | 72140608 | Bolt Carriage 3/8-16 x 1 |
| 11 | 155927 | Panel Dash Lh |
| 12 | 145660 | Clip Tinnerman |
| 13 | 172107X010 | Panel Dash Rh |
| 14 | 17490608 | Screw Thdrol 3/8 x 16 x 1/2 |
| 17 | 159639X428 | HoodLT/PL |
| 18 | 126938X | BumperHood |
| 20 | 156437 | Plate Mtg Battery Fuel Tank Fr |
| 23 | 124028X | Bushing |
| 24 | 74780616 | Bolt Fin Hex 3/8-16 x 1 Gr 5 |
| 25 | 19131312 | Washer 13/32 X 13/16 X 12 Ga |
| 26 | 73800600 | Nut Lock Hex W/Ins 3/8-16 Unc |
| 28 | 170474 | Grille/Lens Asm |
| 29 | 170472X599 | Lens LT/PL |
| 30 | 169470X428 | Fender Footrest Pnt |
| 31 | 136619 | Bracket Fender |
| 33 | 145244X428 | Footrest Pnt Lh |
| 34 | 145243X428 | Footrest Pnt Rh |
| 35 | 72110606 | Bolt Rdhd Sht Sqnk 3/8-16 x 3/4 |
| 37 | 17490508 | Screw Thdrol 6/16-18 x 1/2 TYT |
| 38 | 175710 | Bracket Asm Pivot Mower Rear |
| 51 | 73800400 | Nut Lock Hex W/Ins 1/4-20 |
| 52 | 19091416 | Washer 9/32 x 7/8 x 16 Ga. |
| 53 | 144697 | Bracjet Grukke Lh |
| 54 | 161464 | Screw Hex Wshd 8-18 x 7/8 |
| 55 | 144696 | Bracket Grille Rh |
| 57 | 74780412 | Bolt Hex 1/4-20 x 3/4 |
| 58 | 174930 | Duct Air |
| 64 | 154798 | Dash Lower STLT |
| 142 | 175702 | Plate Reinforcement STLT |
| 145 | 156524 | Rod Pivot Chassis/Hood |
| 159 | 169473X428 | Cupholder |
| 206 | 170165 | Bolt Shoulder 5/16-18 |
| 207 | 17670508 | Screw Thdrol 5/16-18 x 1/2 |
| 208 | 17670608 | Screw Thdrol 3/8-16 x 1/2 |
| 212 | 156229 | Insert Lens Relect |
| -- | 5479J | Plug BTN. Blk |

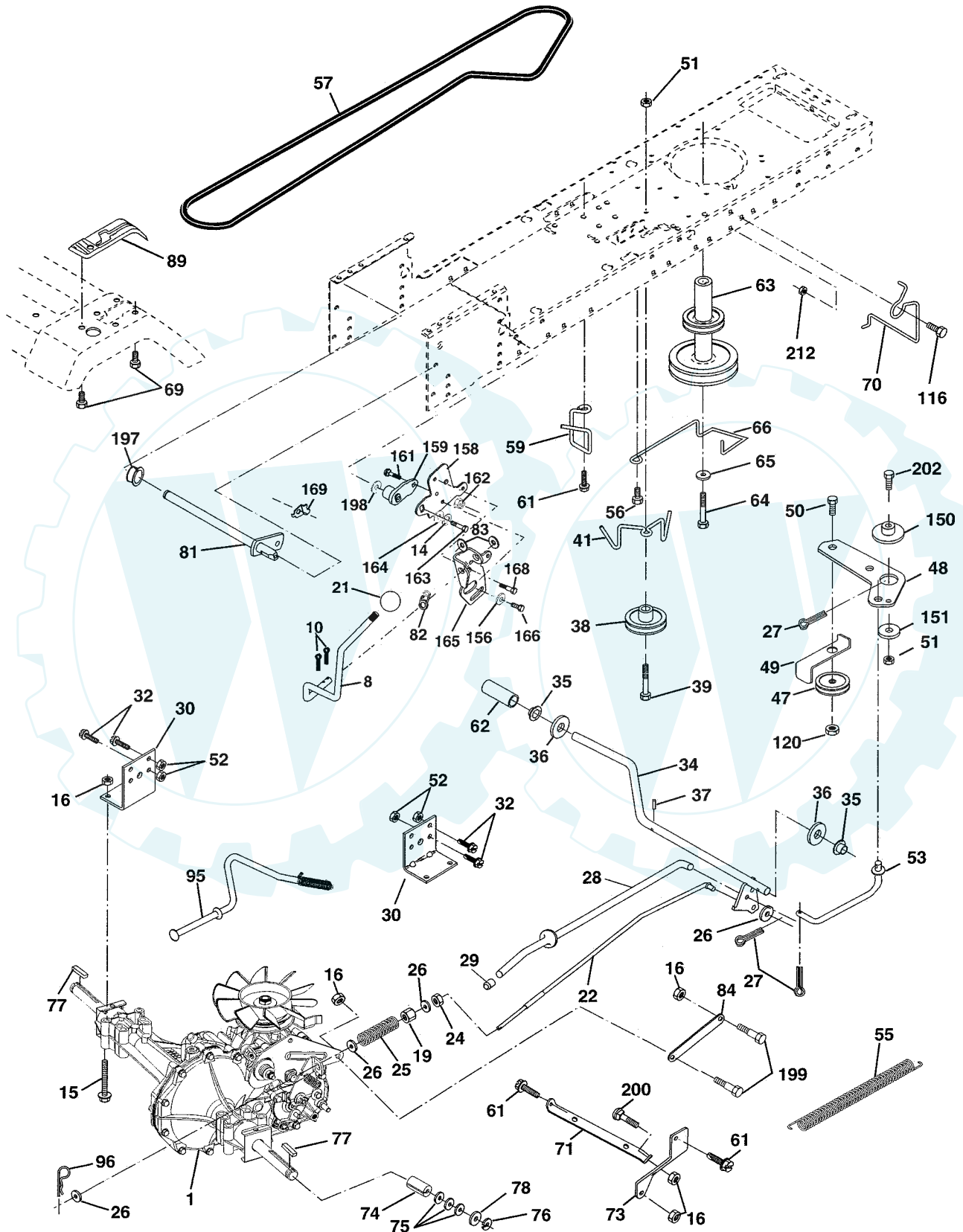
NOTE: All component dimensions given in U.S. inches
1 inch = 25.4 mm

REPAIR PARTS

www.ersatzteil-service.de

TRACTOR - - MODEL NUMBER PR20H42STD

DRIVE



TRACTOR - - MODEL NUMBER PR20H42STD

DRIVE

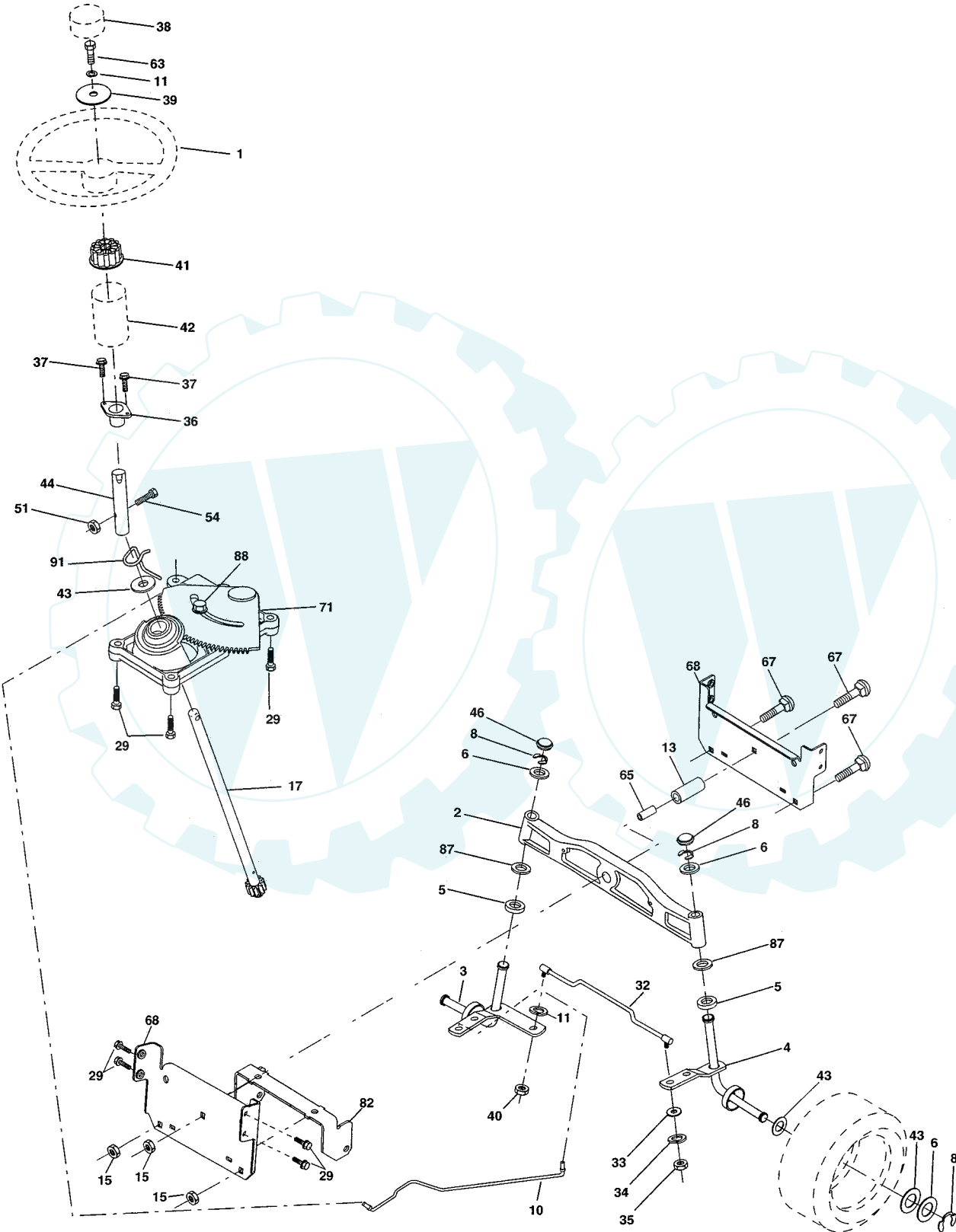
| KEY NO. | PART NO. | DESCRIPTION | KEY NO. | PART NO. | DESCRIPTION |
|---------|---------------|---|---------|------------|----------------------------------|
| 1 | ----- | Transaxle Hydro Gear 314-0510 (Order Parts From Transaxle Manufacturer) | 66 | 154778 | Keeper Belt Engine |
| 8 | 165619 | Rod Shift Hydro LT | 69 | 142432 | Screw |
| 10 | 76020416 | Pin Cotter 1/8 x 1 CAD | 70 | 134683 | Guide Belt |
| 14 | 10040400 | Washer Lock Hvy Helical | 71 | 169183 | Strap Torque Lh Hydro |
| 15 | 74490544 | Bolt, Hex FLGHD 5/16-18 Gr. 5 | 73 | 169182 | Strap Torque Rh Hydro |
| 16 | 73800500 | Nut Lock Hex W/Ins 5/16-18 Unc P | 74 | 137057 | Spacer, Axle |
| 19 | 73800600 | Nut Lock Hex W/Wsh 3/8-16 Unc | 75 | 121749X | Washer 25/32 x 1-1/4 x 16 Gauge |
| 21 | 140845 | Knob, Round 1/2-13 | 76 | 12000001 | E-Ring |
| 22 | 169498 | Rod, Brake Hydro | 77 | 123583X | Key, Square |
| 24 | 73350600 | Nut | 78 | 121748X | Washer 25/32 x 1-5/8 x 16 Gauge |
| 25 | 106888X | Spring, Brake Rod | 81 | 165596 | Shaft Asm. Cross Hydro |
| 26 | 19131316 | Washer | 82 | 123782X | Spring Torsion T/A |
| 27 | 76020412 | Pin Cotter 1/8 x 3/4 CAD. | 83 | 19171216 | Washer 17/32 x 3/4 x 16 Ga. |
| 28 | 175765 | Rod, Parking Brake | 84 | 169594 | Link Transaxle |
| 29 | 71673 | Cap, Parking Brake | 89 | 169373X428 | Console, Hydro |
| 30 | 169592 | Bracket, Transaxle | 95 | 170201 | Control Asm Bypass Hydro |
| 32 | 74760512 | Bolt Hex Hd 5/16-18 Unc x 3/4 | 96 | 4497H | Retainer Spring 1" Zinc/Cad |
| 34 | 175578 | Shaft, Foot Pedal Nibbed | 116 | 72140608 | Bolt Rdhd Sq Neck 3/8-16 x 1 |
| 35 | 120183X | Bearing, Nylon | 120 | 73900600 | Nut Lock Flg. 3/8-16 |
| 36 | 19211616 | Washer | 150 | 175456 | Spacer Retainer |
| 37 | 1572H | Pin, Roll | 151 | 19133210 | Washer 13/32 x 2 x 10 Ga. |
| 38 | 179114 | Pulley, Composite, Flat | 156 | 166002 | Washer Srtd 5/16 ID x 1.125 |
| 39 | 74760648 | Bolt | 158 | 165589 | Bracket Shift Mount |
| 41 | 175556 | Keeper, Belt Idler | 159 | 165494 | Hub Tapered Flange Shift Lt |
| 47 | 127783 | Pulley, Idler, V-Groove | 161 | 72140406 | Bolt Rdhd Sqnk 1/4-20 x 3/4 Gr 5 |
| 48 | 154407 | Bellcrank Clutch Grnd Drv STL | 162 | 73680400 | Nut Crownlock 1/4-20 Unc |
| 49 | 123205X | Retainer, Belt | 163 | 74780416 | Bolt Hex Fin 1/4-20 Unc x 1 Gr 5 |
| 50 | 74760624 | Bolt | 164 | 19091010 | Washer 5/8 x .281 x 10 Ga |
| 51 | 73680600 | Nut Crownlock 3/8-16 UNC | 165 | 165623 | Bracket Pivot Lever |
| 52 | 73680500 | Nut Crownlock 5/16-18 UNC | 166 | 166880 | Screw 5/16-18 x 5/8 |
| 53 | 105710X | Link, Clutch | 168 | 165492 | Bolt Shoulder 5/16-18 x .561 |
| 55 | 105709X | Spring, Return, Clutch | 169 | 165580 | Plate Fastening Lt |
| 56 | 17060616 | Bolt Fin Hex 3/8-16 UNC x 1-1/4 | 197 | 169613 | Nyliner Snap-In 5/8" ID |
| 57 | 140294 | V-Belt, Ground Drive | 198 | 169593 | Washer Nyl 7/8 ID x .105 |
| 59 | 169691 | Keeper, Center Span | 199 | 169612 | Bolt Shoulder 5/16-18 Unc |
| 61 | 17060612 | Screw Thdrol. 3/8-16 x .75 | 200 | 72140508 | Bolt Rdhd Sqnk 5/16-18 Unc x 1 |
| 62 | 8883R | Cover, Pedal | 202 | 72110614 | Bolt Carr Sh 3/8-16 x 1-1/2 Gr 5 |
| 63 | 175410 | Pulley, Engine | 212 | 145212 | Nut Hex Flange Lock |
| 64 | 71170764 | Bolt, Hex | | | |
| 65 | 10040700 | Washer | | | |

NOTE: All component dimensions given in U.S. inches
1 inch = 25.4 mm

REPAIR PARTS

TRACTOR - - MODEL NUMBER PR20H42STD

STEERING ASSEMBLY



TRACTOR - - MODEL NUMBER PR20H42STD

STEERING ASSEMBLY

| KEY NO. | PART NO. | DESCRIPTION |
|---------|------------|----------------------------------|
| 1 | 159944X428 | Wheel Steering |
| 2 | 172393 | Axle Asm Cast Iron LT |
| 3 | 169840 | Spindle Asm LH |
| 4 | 169839 | Spindle Asm RH |
| 5 | 6266H | Bearing Race Thrust Harden |
| 6 | 121748X | Washer 25/32 X 1-5/8 X 16 Ga |
| 8 | 12000029 | Ring Klip #t5304-75 |
| 10 | 175121 | Link Drag |
| 11 | 10040600 | Washer Lock Hvy Hlcl Spr 3/8 |
| 13 | 136518 | Spacer Brg Axle Front |
| 15 | 145212 | Nut Hex Flange Lock |
| 17 | 177876 | Shaft Asm Strg |
| 29 | 17060612 | Screw 3/8-16 x .75 |
| 32 | 171888 | Rod Tie |
| 33 | 19111216 | Washer 11/32 x 3/4 x 16 Ga |
| 34 | 10040500 | Washer Lock Hvy Hlcl Spr 5/16 |
| 35 | 73540500 | Crownlock Nut 5/16-24 Unf |
| 36 | 155099 | Bushing Strg |
| 37 | 152927 | Screw |
| 38 | 159946X428 | Insert Cap Strg Wh |
| 39 | 19132411 | Washer 13/32 X 1-1/2 X 11 Ga |
| 40 | 7810H | Lock nut |
| 41 | 159945 | Adaptor Wheel Strg |
| 42 | 145054X428 | Boot Steering Dash |
| 43 | 121749X | Washer 25/32 X 1 1/4 X 16 Ga |
| 44 | 153720 | Extension Steering Shaft LR/LT |
| 46 | 121232X | Cap Spindle Fr Top Blk |
| 51 | 73800500 | Nut Lock Hex w/Ins 5/16-18 |
| 54 | 74780520 | Bolt Fin Hex 5/16-18 Unc x 1-1/4 |
| 63 | 74780616 | Bolt Fin Hex 3/8-16unc x 1 Gr. 5 |
| 65 | 160367 | Spacer Brace Axle |
| 67 | 72140618 | Bolt Rdhd Sq 3/8-16 Unc x 2-3/4 |
| 68 | 169827 | Axle, Brace |
| 71 | 175146 | Steering Asm. |
| 82 | 169835 | Bracket Susp Chassis Front |
| 87 | 173966 | Washer Flat .781 x 1 1/2 x .14 |
| 88 | 175118 | Bolt Shoulder 7/16-20 |
| 91 | 175553 | Clip Steering |

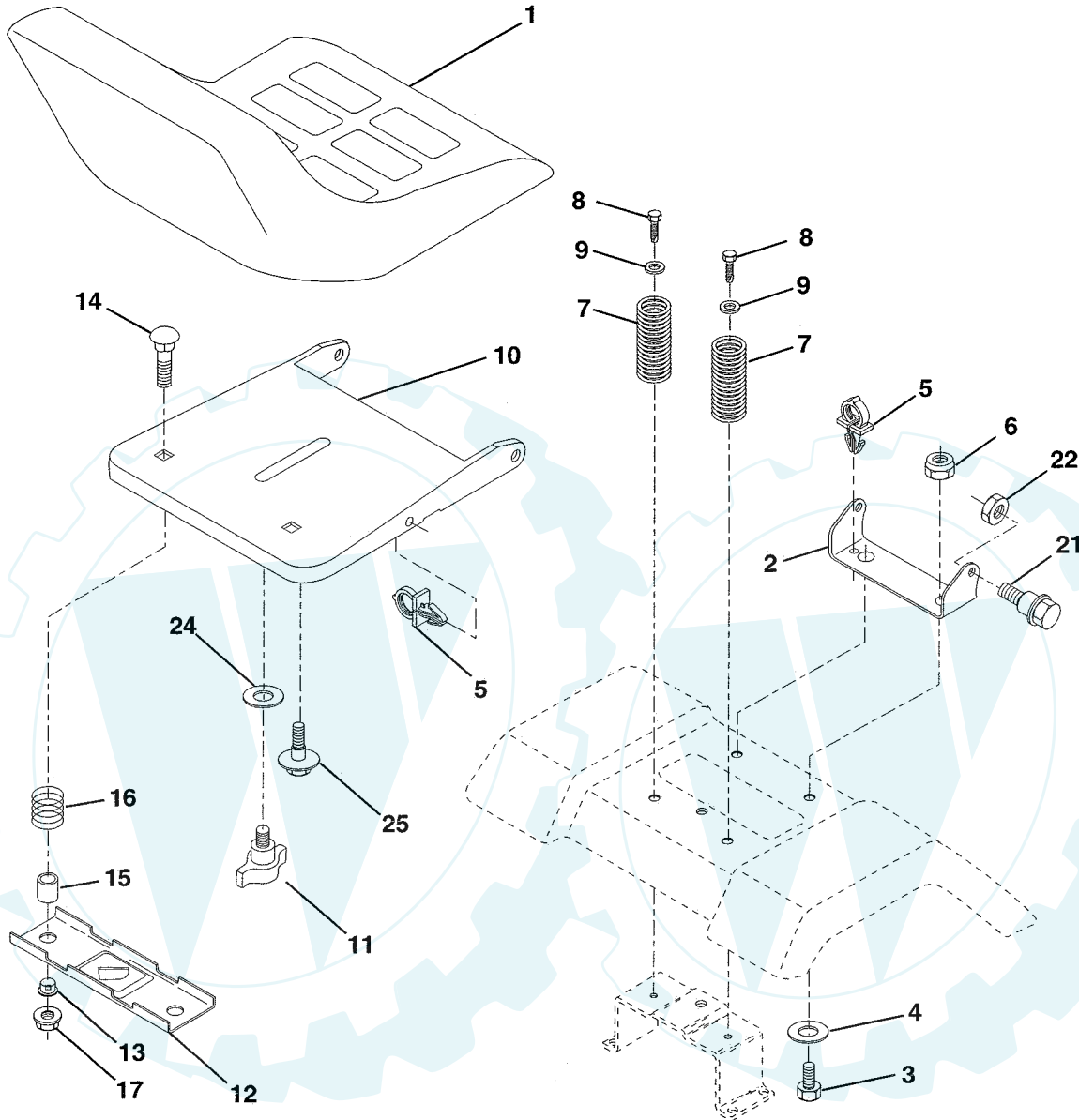
NOTE: All component dimensions given in U.S. inches
1 inch = 25.4 mm

REPAIR PARTS

www.ersatzteil-service.de

TRACTOR - - MODEL NUMBER PR20H42STD

SEAT ASSEMBLY



| KEY NO. | PART NO. | DESCRIPTION |
|---------|----------|--------------------------------|
| 1 | 171683 | Seat |
| 2 | 140551 | Bracket Pivot Seat 8 720 |
| 3 | 71110616 | Bolt Fin Hex 3/8-16unc X 1 |
| 4 | 19131610 | Washer 13/32 X 1 X 10 Ga |
| 5 | 145006 | Clip Push-In |
| 6 | 73800600 | Nut Hex w/Ins. 3/8-16 Unc |
| 7 | 124181X | Spring Seat Cprsn 2 250 Blk Zi |
| 8 | 17000616 | Screw 3/8-16 x 1.5 Smgml |
| 9 | 19131614 | Washer 13/32 X 1 X 14 Ga. |
| 10 | 174894 | Pan Seat |
| 11 | 166369 | Knob Seat |
| 12 | 121246X | Bracket Mounting Switch |

| KEY NO. | PART NO. | DESCRIPTION |
|---------|----------|--------------------------------|
| 13 | 121248X | Bushing Snap Blk Nyl 50 Id |
| 14 | 72050412 | Bolt Rdhd Sqnk 1/4-20x1-1/2 |
| 15 | 134300 | Spacer Split 28x 88 |
| 16 | 121250X | Spring Cprsn |
| 17 | 123976X | Nut Lock 1/4 Lge Flg Gr 5 Zinc |
| 21 | 171852 | Bolt Shoulder 5/16-18 Unc |
| 22 | 73800500 | Nut Hex Lock W/Ins 5/16-18 |
| 24 | 19171912 | Washer 17/32 X 1-3/16 X 12 Ga. |
| 25 | 127018X | Bolt Shoulder 5/16-18 X 62 |

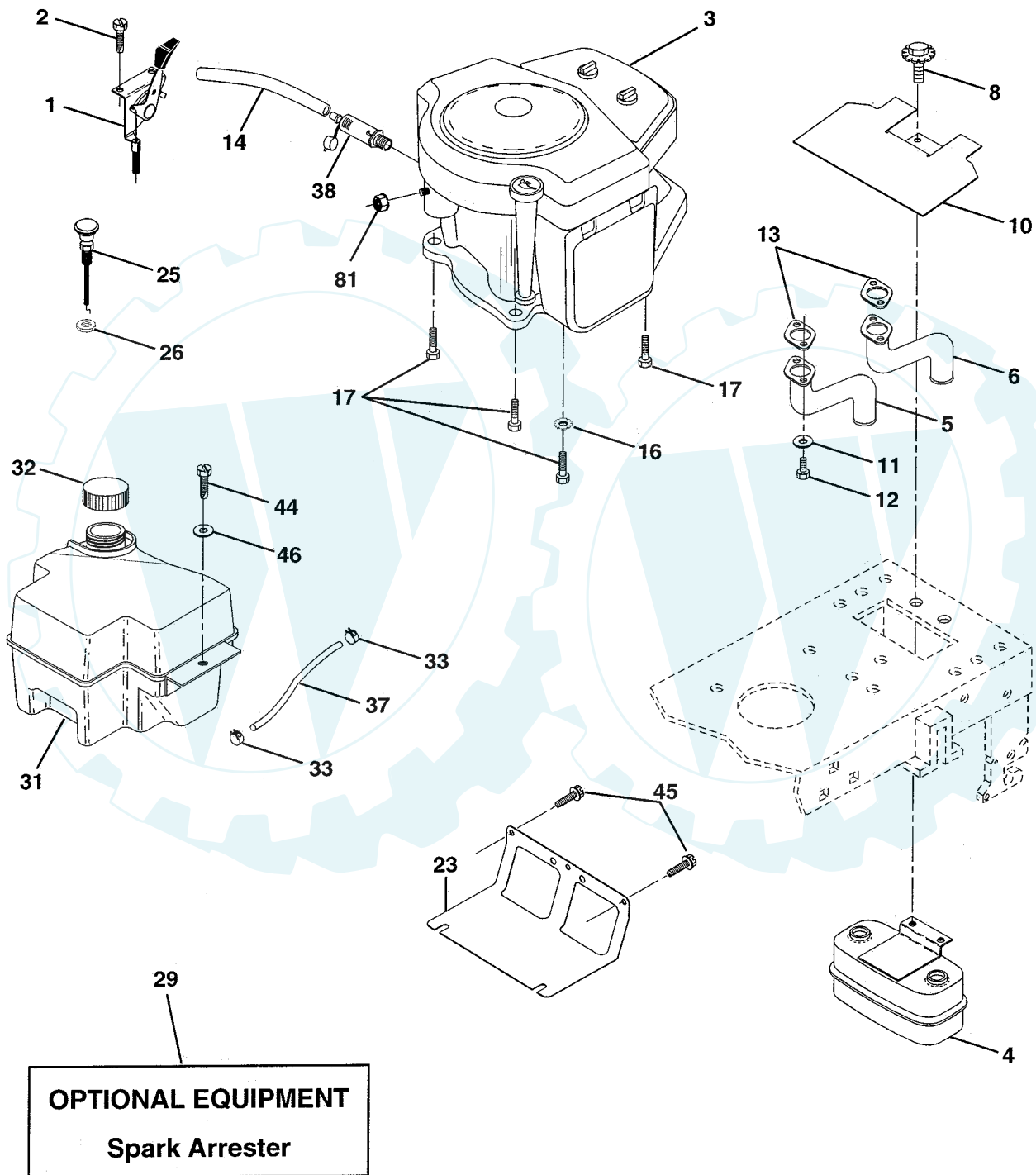
NOTE: All component dimensions given in U.S. inches
1 inch = 25.4 mm

REPAIR PARTS

www.ersatzteil-service.de

TRACTOR - - MODEL NUMBER PR20H42STD

ENGINE



TRACTOR - - MODEL NUMBER PR20H42STD

ENGINE

| KEY NO. | PART NO. | DESCRIPTION |
|---------|-----------------|---|
| 1 | 170771 | Control Throt |
| 2 | 17720410 | Screw Hex Thd Cut 1/4-20x5/8 T |
| 3 | ----- | Engine B&S Model No. 445777 (Order parts from engine manufacturer) |
| 4 | 149723 | Muffler Exhaust |
| 5 | 159955 | Exhaust Asm. Lh |
| 6 | 160589 | Exhaust Asm. Rh |
| 8 | 171877 | Bolt 5/16-18unc x 3/4 w/sems |
| 10 | 162797 | Heat Shield Lt |
| 11 | 10040500 | Washer Lock Hvy. Helical 1/4 |
| 12 | 71070512 | Screw Hex Hd Cap 5/16-18 x 3/4 |
| 13 | 165391 | Gasket Muffler |
| 14 | 148456 | Tube Drain Oil Easy |
| 16 | 11050600 | Washer Lock Ext Tooth 3/8 |
| 17 | 17060624 | Screw Thdrol 3/8-16x1-1/2 Tytt |
| 23 | 169837 | Shield BRN/DBR Guard |
| 25 | 145996 | Control Choke |
| 26 | 73920600 | Nut Keps 3/8-24 UNF |
| 29 | 137180 | Arrestor Spark |
| 31 | 174642 | Tank Fuel |
| 32 | 140527 | Cap Fuel |
| 33 | 123487X | Clamp Hose Blk |
| 37 | 137040 | Line Fuel |
| 38 | 148315 | Plug Drain Oil Easy |
| 40 | 124028X | Bushing Snap Nyl Black |
| 44 | 17670412 | Screw Hexwsh Thdrol 1/4-20 x 3/4 |
| 45 | 17000612 | Screw Hex wsh Thdrol 3/8-16 x 3/4 |
| 46 | 19091416 | Washer 9/32 x 7/8 x 16 Ga. |
| 81 | 73510400 | Nut Keps Hex 1/4-20 unc |

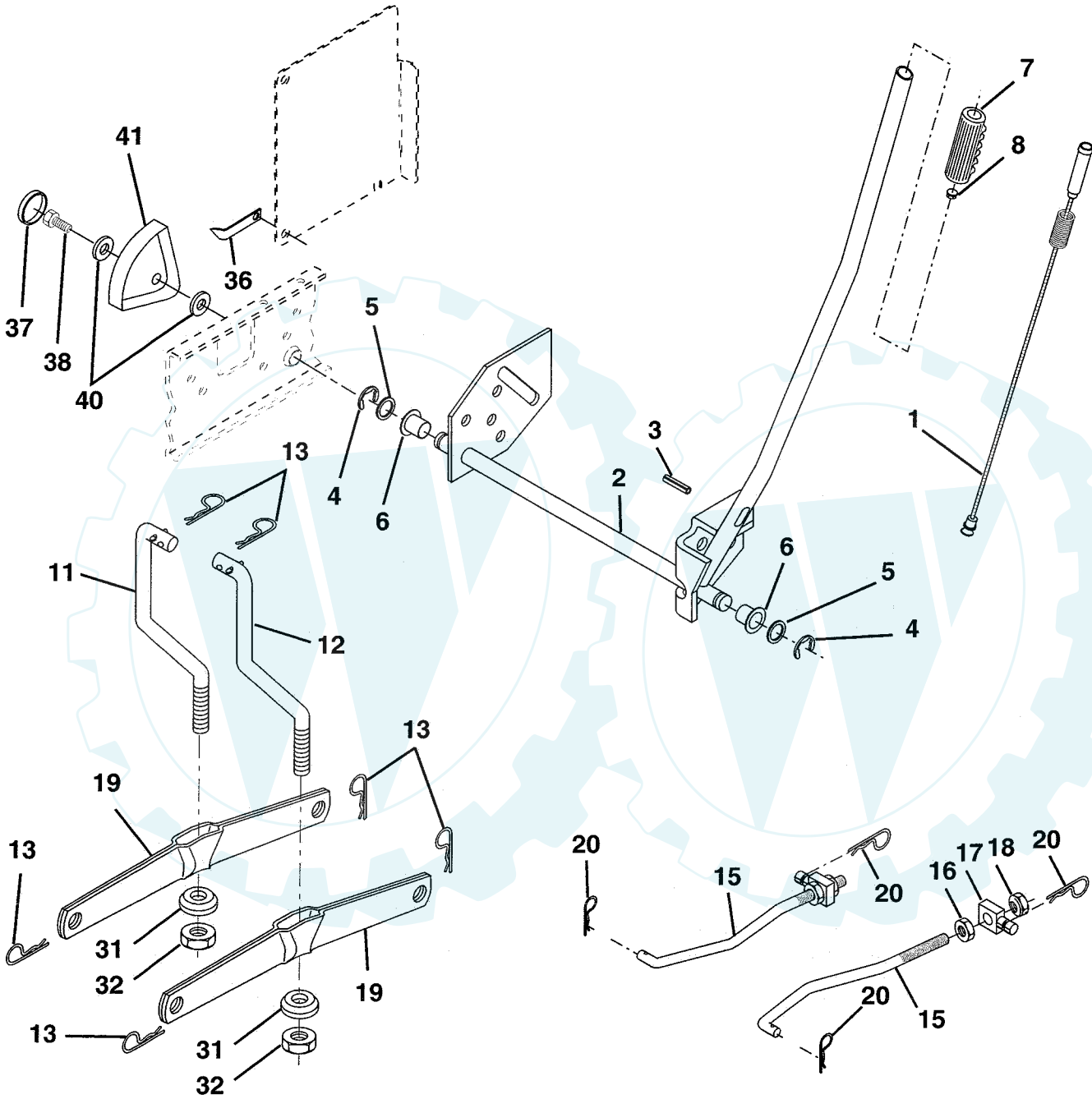
NOTE: All component dimensions given in U. S. inches 1 inch = 25.4 mm

REPAIR PARTS

www.ersatzteil-service.de

TRACTOR - - MODEL NUMBER PR20H42STD

MOWER LIFT



TRACTOR - - MODEL NUMBER PR20H42STD

MOWER LIFT

| KEY NO. | PART NO. | DESCRIPTION |
|---------|---------------|---------------------------------|
| 1 | 159460 | Wire Asm Inner/Sprg W/plungerLT |
| 2 | 159471 | Shaft Asm Lift RH w/Inf |
| 3 | 105767X | Pin Groove 1 500 Zinc |
| 4 | 12000002 | ERing #5133-62 |
| 5 | 19211621 | Washer 21/32 X 1 X 21 Ga |
| 6 | 120183X | Bearing Nylon Blk 629 Id |
| 7 | 125631X | Grip Handle |
| 8 | 170770 | Button Plunger |
| 11 | 139865 | Link Lift LH Fixed Length |
| 12 | 139866 | Link Lift RH Fixed Length |
| 13 | 4939M | Retainer Spring |
| 15 | 173288 | Link Front |
| 16 | 73350800 | Nut Jam Hex 1/2-13 Unc |
| 17 | 175689 | Trunnion Blk Zinc |
| 18 | 73800800 | Nut Lock W/Wsh 1/2-13 Unc |
| 19 | 139868 | Arm Suspension Rear |
| 20 | 163552 | Retainer Spring |
| 31 | 169865 | Bearing Pvt Lift |
| 32 | 73540600 | Nut Crownlock 3/8 - 24 |
| 36 | 155097 | Pointer Height Indicator |
| 37 | 123935X | Plug Hole Blk. 1.485/1.515 Dia. |
| 38 | 17060516 | Screw 5/16-18 x 1 |
| 40 | 19112410 | Washer 11/32 x 1-1/210 Ga. |
| 41 | 155098 | Indicator Height STL |

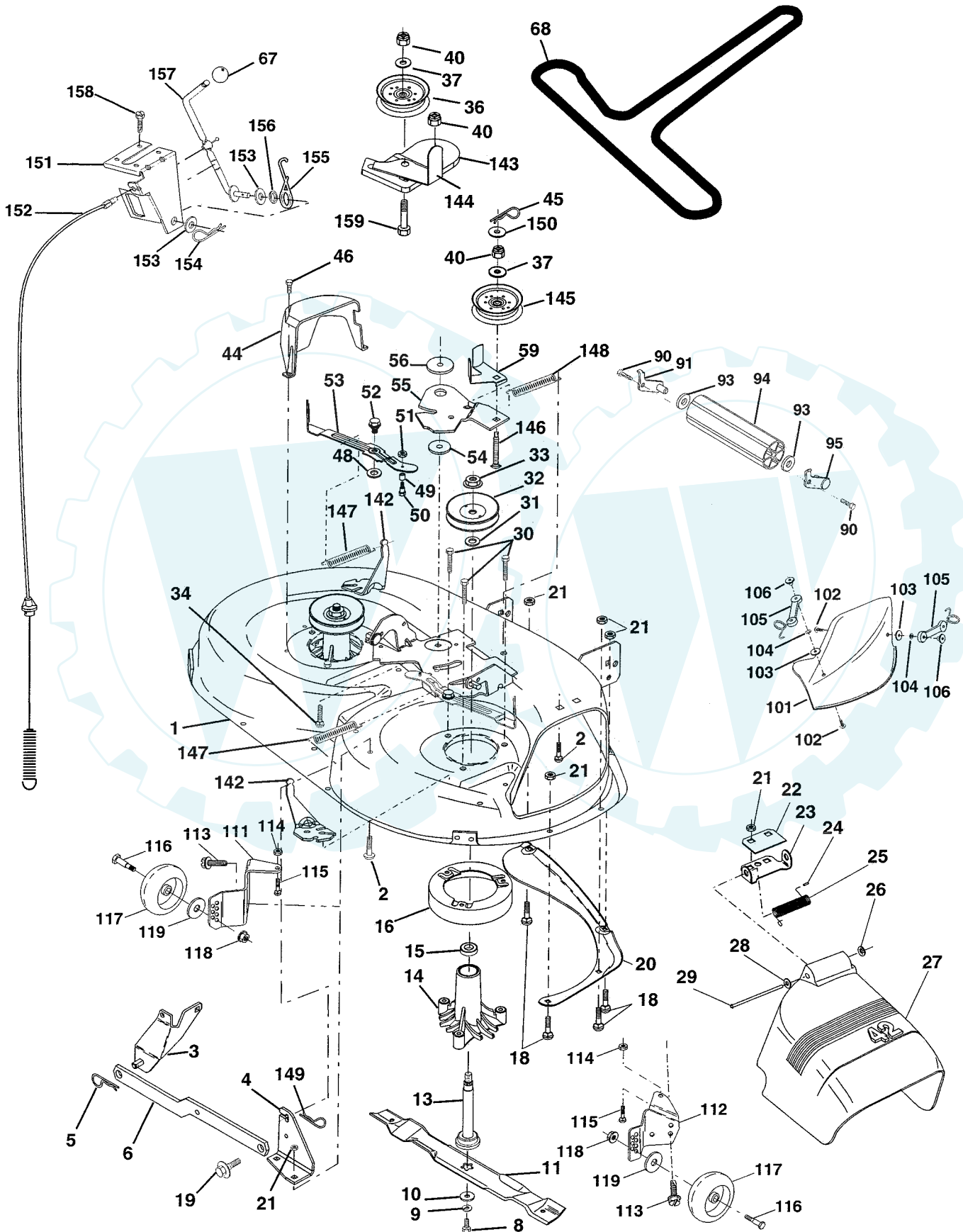
NOTE: All component dimensions given in U.S. inches
1 inch = 25.4 mm

REPAIR PARTS

www.ersatzteil-service.de

TRACTOR - - MODEL NUMBER PR20H42STD

MOWER DECK



TRACTOR - - MODEL NUMBER PR20H42STD

MOWER DECK

| KEY NO. | PART NO. | DESCRIPTION | KEY NO. | PART NO. | DESCRIPTION |
|---------|-------------------|---------------------------------|---------|-------------------|--|
| 1 | 165892X421 | Mower Deck Assembly, 42" | 67 | 171598 | Knob Round |
| 2 | 72140506 | Bolt | 68 | 144959 | V-Belt, 42" Mower |
| 3 | 138017 | Bracket Asm Fr. Sway Bar 3/42 | 90 | 17060612 | Screw 3/8-16 x .75 |
| 4 | 165460X431 | Bracket Asm Deck 42" Sway Bar | 91 | 175746 | Bracket Asm Noseroller LH |
| 5 | 4939M | Retainer Spring | 93 | 19171416 | Washer 17/3 x 7/8 x 6 Ga. |
| 6 | 130832 | Arm, Suspension, Rear | 94 | 132264 | Roller Nose 38 & 42 |
| 8 | 850857 | Bolt 3/8-24 x 25 Gr. 8 patched | 95 | 175747 | Bracket Asm Noseroller RH |
| 9 | 10030600 | Washer, Lock | 101 | 136420 | Mulcher Cover |
| 10 | 140296 | Washer, Hardened | 102 | 71081010 | Screw Pan Hd Phillips 10-24 x 5/8 |
| 11 | 134149 | Blade, Mulching 42" Std | 103 | 19061216 | Washer, Flat |
| | 138498 | Blade Mower 42" Hi-Lift Std | 104 | 10071000 | Washer, Lock |
| 13 | 137645 | Shaft Assembly, Mandrel, Vented | 105 | 160793 | Latch Assembly |
| 14 | 128774 | Housing, Mandrel, Vented | 106 | 2029J | Nut, Weld |
| 15 | 110485X | Bearing, Ball, Mandrel | 111 | 179292X421 | Bracket, Ga., Wheel LH |
| 16 | 174493 | Stripper, Mower Deck | 112 | 179293X421 | Bracket, Ga., Wheel RH |
| 18 | 72140505 | Bolt, Carriage 5/16-18 x 5/8 | 113 | 17060508 | Screw 5/16 - 18 x 1/2 |
| 19 | 132827 | Bolt, Shoulder | 114 | 73510500 | Nut, Keps 5/16 - 18 Unc |
| 20 | 159770 | Baffle, Vortex | 115 | 72110505 | Bolt, Carriage 5/16-18 x 5/8 |
| 21 | 73680500 | Nut | 116 | 4898H | Bolt, Shoulder |
| 22 | 134753X431 | Stiffener Bracket | 117 | 165746 | Wheel, Ga. |
| 23 | 131267X431 | Bracket, Deflector Mower 42" | 118 | 73930600 | Nut Centerlock 3/8-16 |
| 24 | 105304X | Cap, Sleeve 80 x 112 Blk Mower | 119 | 19121414 | Washer 3/8 x 7/8 x 14 Ga. |
| 25 | 123713X | Spring, Torsion, Deflector 2 52 | 142 | 165890X431 | Arm Spring Brake Mower |
| 26 | 110452X | Nut, Push Phos & Oil | 143 | 157109X431 | Bracket Arm Idler 42" |
| 27 | 130968X428 | Shield, Deflector 42" Blk | 144 | 173441 | Keeper Belt 42" Clutch Cable |
| 28 | 19111016 | Washer 11/32 x 5/8 x 16 Ga. | 145 | 173437 | Pulley Idler Flat |
| 29 | 131491 | Rod, Hinge 42" 6 75 W/G | 146 | 173443 | Bolt Carriage Idler |
| 30 | 173984 | Screw Thdrol Washer Head | 147 | 131335 | Spring Extension |
| 31 | 129963 | Washer, Spacer Mower Vented | 148 | 169022 | Spring Return Idler |
| 32 | 173436 | Pulley, Mandrel | 149 | 165898 | Retainer Spring Yellow |
| 33 | 178342 | Nut, Toplock 9/16 | 150 | 19091216 | Washer 9/32 x 3/4 x 16 Ga. |
| 34 | 72110614 | Bolt | 151 | 169670 | Bracket Clutch Cable |
| 36 | 173438 | Pulley, Idler, Flat | 152 | 169676 | Clutch Cable 42" |
| 37 | 19131316 | Washer 13/32 x 13/16 x 16 Ga. | 153 | 169674 | Washer Flat 3/8" Type B |
| 40 | 73680600 | Nut | 154 | 169675 | Spring Retainer |
| 44 | 140088 | Guard, Mandrel, LH | 155 | 169671 | Spring Retention LVR CLTCH CAB |
| 45 | 4497H | Retainer | 156 | 169672 | Spacer Clutch Cable |
| 46 | 137729 | Screw, Thdrol 1/4-20 x 5/8 T | 157 | 169669 | Rod Clutch Cable 3/8" |
| 48 | 133944 | Washer, Hardened | 158 | 17720410 | Screw Hex Thd Cut 1/4-20 x 5/8 |
| 49 | 174284 | Roller Assembly, Cam Follower | 159 | 72140614 | Bolt Rdhd Sqn 3/8-16 UNC x 1-3/4 |
| 50 | 131340 | Bolt, Shoulder #10-24 Grade 5 | -- | 130794 | Mandrel Assembly (Includes Key Numbers 8-10, 13-15, 31 and 33) |
| 51 | 69180 | Locknut | -- | 172559 | Replacement Mower, Complete |
| 52 | 139888 | Bolt, Shoulder 5/16-18 Unc | | | |
| 53 | 131845 | Arm Assembly, Pad, Brake | | | |
| 54 | 133943 | Washer, Hardened | | | |
| 55 | 155046X431 | Arm, Idler | | | |
| 56 | 122052X | Spacer, Retainer | | | |
| 59 | 173442 | Guard TUV Idler | | | |

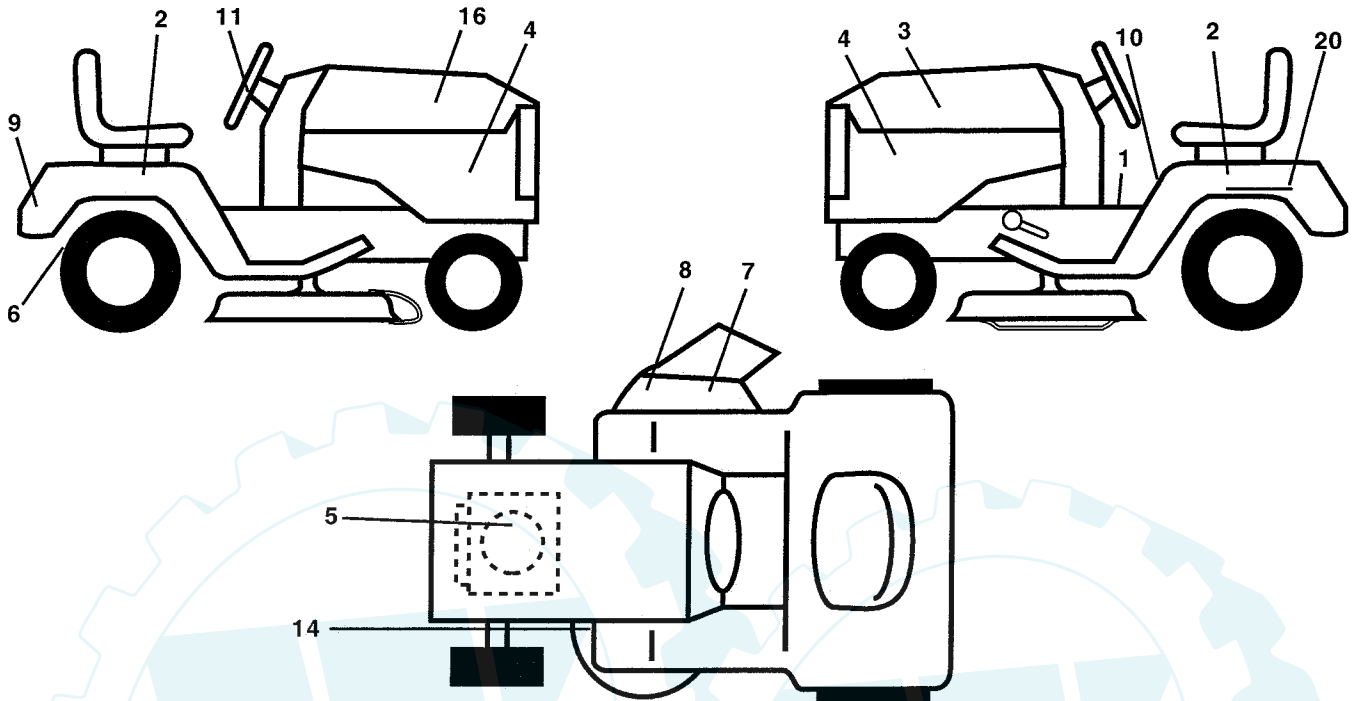
NOTE: All component dimensions given in U.S. inches
1 inch = 25.4 mm

REPAIR PARTS

www.ersatzteil-service.de

TRACTOR - - MODEL NUMBER PR20H42STD

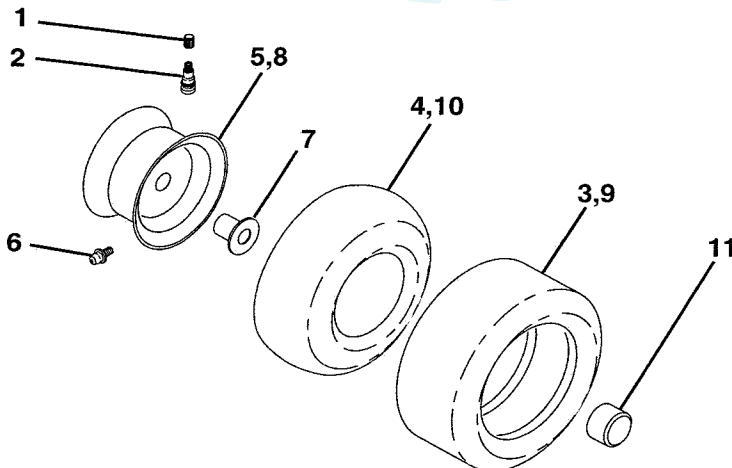
DECALS



| KEY NO. | PART NO. | DESCRIPTION |
|---------|---------------|---------------------------------|
| 1 | 157032 | Decal Oper |
| 2 | 176303 | Decal Fender Auto |
| 3 | 176308 | Decal Hood LH |
| 4 | 177020 | Decal Side Panel Logo |
| 5 | 170851 | Decal HP Engine |
| 6 | 169210 | Decal By Pass Lt Hydro |
| 7 | 179128 | Decal Deck "B" 42" |
| 8 | 170563 | Decal Mower Warn Keep Hand Away |
| 9 | 172740 | Decal Fender Logo |

| KEY NO. | PART NO. | DESCRIPTION |
|---------|---------------|--------------------------------|
| 10 | 157140 | Decal Fender Danger E/F |
| 11 | 172743 | Decal Ins Strg Whl |
| 14 | 160396 | Decal V-Belt Schematic |
| 16 | 176307 | Decal Hood Rh |
| 20 | 145005 | Decal Bat Dan/Psn |
| -- | 133671 | Pad Footrest |
| -- | 138311 | Decal Handle Lft Height Adjust |
| -- | 173587 | Decal Fend Reflector Rh |
| -- | 173589 | Decal Fend Reflector Lh |
| -- | 180002 | Manual Owner's (English) |
| -- | 180003 | Manual Owner's (French) |

WHEELS AND TIRES



| KEY NO. | PART NO. | DESCRIPTION |
|---------|------------|-----------------------------------|
| 1 | 59192 | Cap Valve Tire |
| 2 | 65139 | Stem Valve |
| 3 | 170455 | Tire F T 15 X 6 0 - 6 Service |
| 4 | 59904 | Tube Front (Service Item Only) |
| 5 | 106732X421 | Rim Asm 6" front Service |
| 6 | 278H | Fitting Grease (Front Wheel Only) |
| 7 | 9040H | Bearing Flange (Front Wheel nly) |
| 8 | 106108X421 | Rim Asm 8" rear Service |
| 9 | 170456 | Tire R T 20x10-8 Service |
| 10 | 7152J | Tube Rear (Service Item Only) |
| 11 | 104757X428 | Cap Axle Blk 1 50 X 1 00 |
| -- | 144334 | Sealant, Tire (10 oz. Tube) |

NOTE: All component dimensions given in U.S. inches
1 inch = 25.4 mm