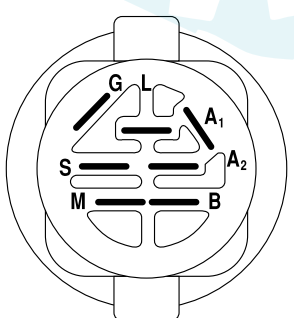
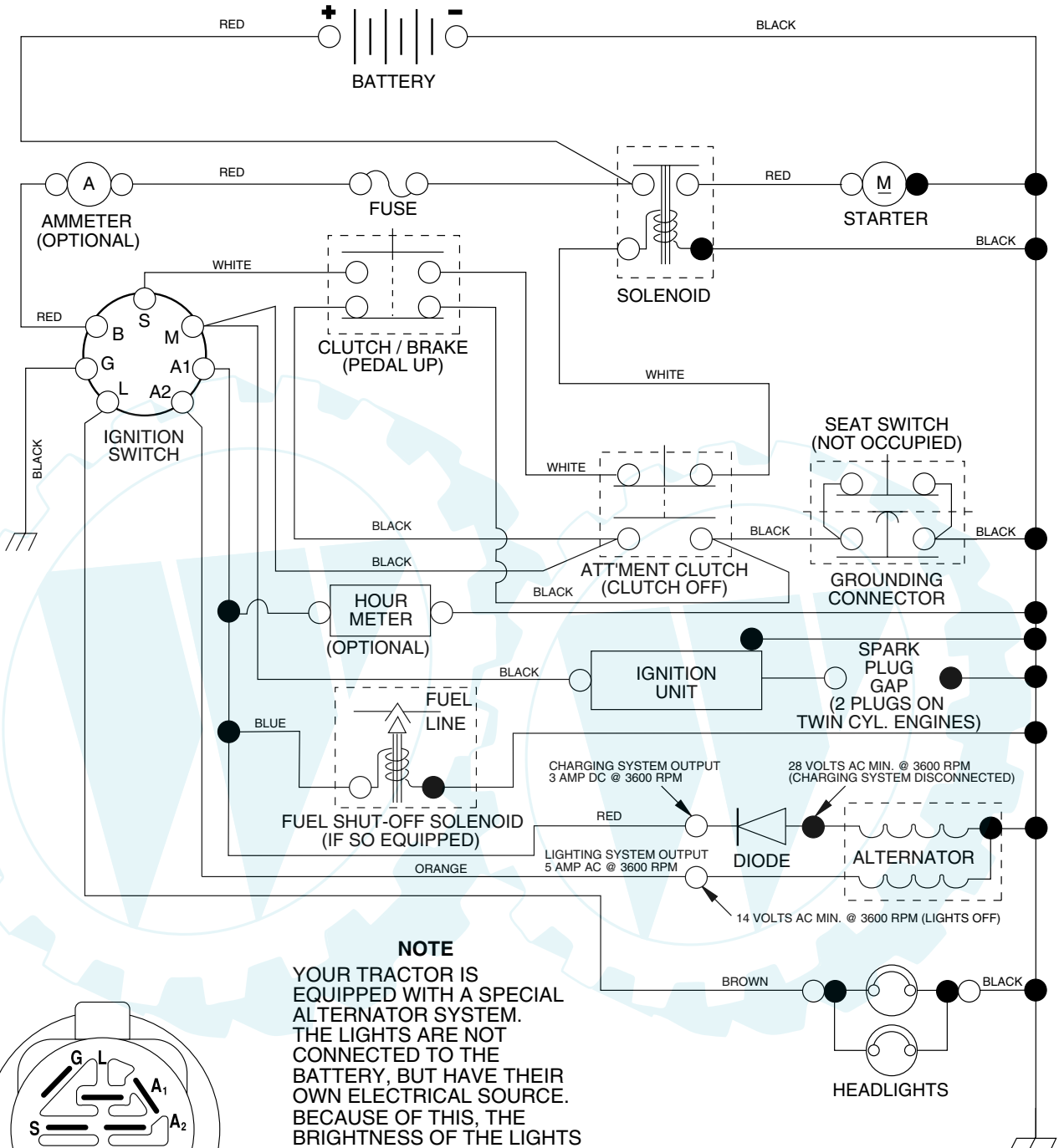


**SCHEMATIC**



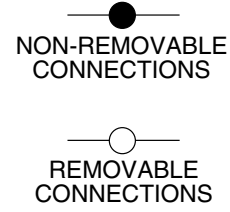
**IGNITION SWITCH**

| POSITION  | CIRCUIT    | "MAKE" |
|-----------|------------|--------|
| OFF       | M+G+A1     | NONE   |
| RUN/LIGHT | B+A1       | A2+L   |
| RUN       | B+A1       | NONE   |
| START     | B + S + A1 | NONE   |

**NOTE**  
 YOUR TRACTOR IS EQUIPPED WITH A SPECIAL ALTERNATOR SYSTEM. THE LIGHTS ARE NOT CONNECTED TO THE BATTERY, BUT HAVE THEIR OWN ELECTRICAL SOURCE. BECAUSE OF THIS, THE BRIGHTNESS OF THE LIGHTS WILL CHANGE WITH ENGINE SPEED. AT IDLE THE LIGHTS WILL DIM. AS THE ENGINE IS SPEEDED UP, THE LIGHTS WILL BECOME THEIR BRIGHTEST.

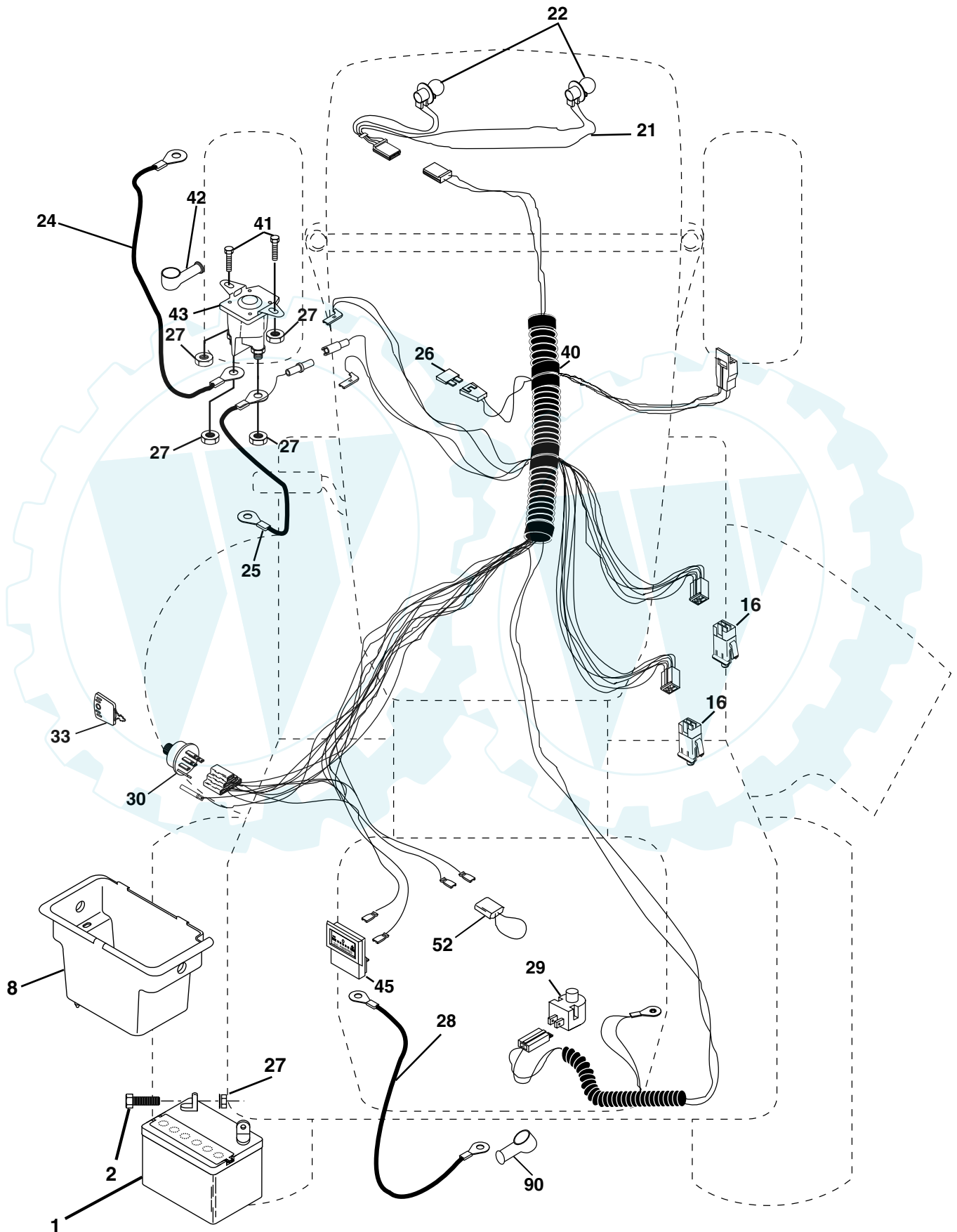
**WIRING INSULATED CLIPS**

**NOTE:** IF WIRING INSULATED CLIPS WERE REMOVED FOR SERVICING OF UNIT, THEY SHOULD BE REPLACED TO PROPERLY SECURE YOUR WIRING.



# TRACTOR - - MODEL NUMBER P1185H42STE

## ELECTRICAL

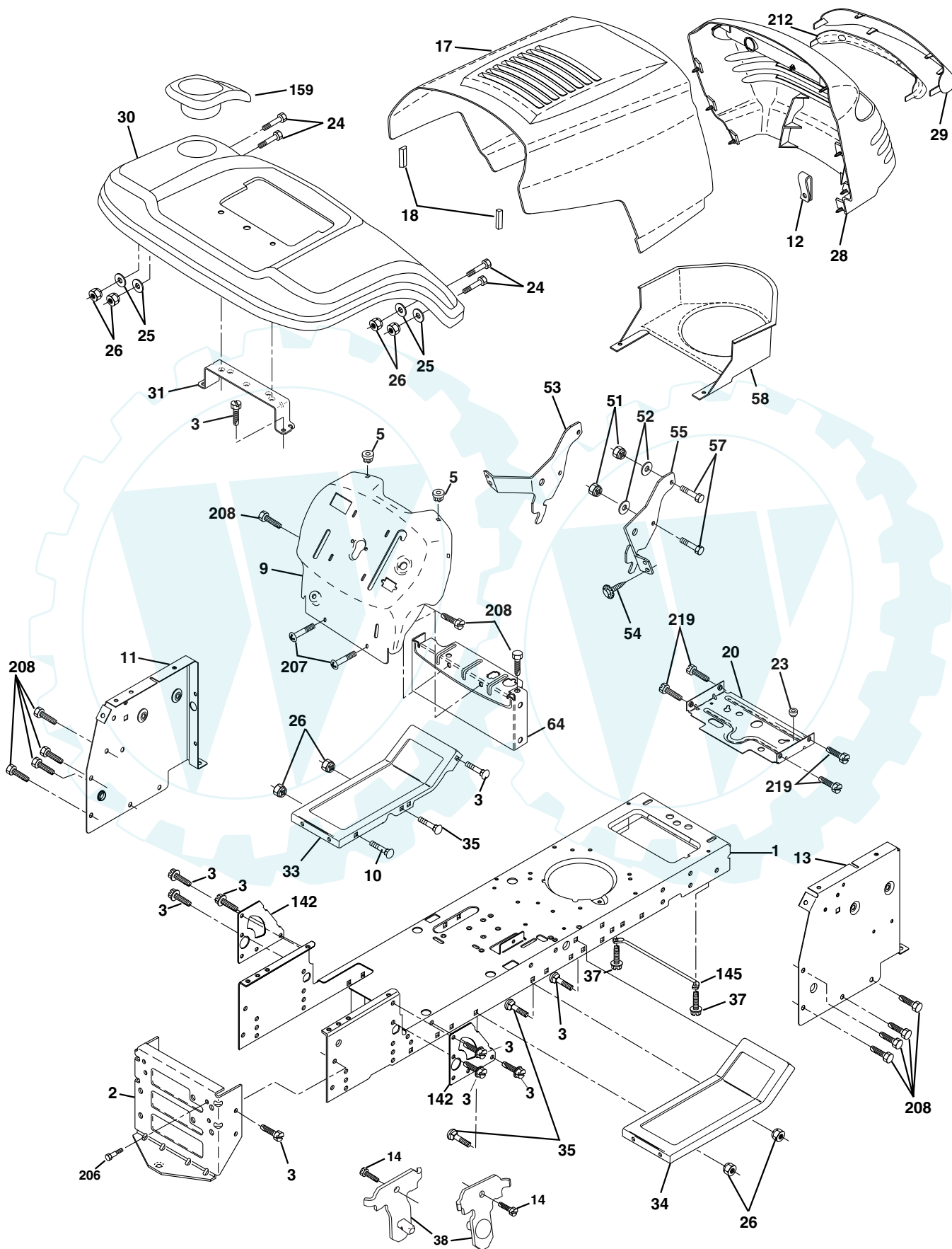


ELECTRICAL

| KEY NO. | PART NO.      | DESCRIPTION                      |
|---------|---------------|----------------------------------|
| 1       | <b>144927</b> | Battery                          |
| 2       | 74760412      | Bolt Hex Hd 1/4-20unc X 3/4      |
| 8       | <b>176689</b> | Box Battery Fender               |
| 16      | <b>176138</b> | Switch Interlock                 |
| 21      | <b>175685</b> | Harness Socket Light             |
| 22      | 4152J         | Bulb, Light # 1156               |
| 24      | 4799J         | Cable Battery                    |
| 25      | 146147        | Cable Battery 6 Ga Red w/16 wire |
| 26      | 175158        | Fuse                             |
| 27      | 73510400      | Nut Keps Hex 1/4-20 Unc          |
| 28      | 4207J         | Cable Ground 6ga 12 black        |
| 29      | 121305X       | Switch Plunger Nc Gray           |
| 30      | 175566        | Switch Ign                       |
| 33      | 140401        | Key Ign Molded Generic           |
| 40      | <b>179720</b> | Harness Ign                      |
| 41      | 71110408      | Bolt Fin Hex 1/4-20uncx 1/2      |
| 42      | 131563        | Cover Terminal Red               |
| 43      | <b>178861</b> | Solenoid                         |
| 45      | 121433X       | Ammeter Rectangular              |
| 52      | 141940        | Protection Loop                  |
| 90      | <b>180449</b> | Cover Terminal Battery           |

**NOTE:** All component dimensions given in U.S. inches  
1 inch = 25.4 mm

CHASSIS



CHASSIS

| KEY NO. | PART NO.          | DESCRIPTION                     |
|---------|-------------------|---------------------------------|
| 1       | 174619            | Chassis                         |
| 2       | 176554            | Drawbar                         |
| 3       | 17060612          | Screw 3/8-16 X .75              |
| 5       | 155272            | Bumper Hood/Dash                |
| 9       | 168337X012        | Dash P/L                        |
| 10      | 72140608          | Bolt Carriage 3/8-16 x 1        |
| 11      | <b>174996</b>     | Panel Dash Lh                   |
| 12      | 145660            | Clip Tinnerman                  |
| 13      | <b>172106</b>     | Panel Dash Rh                   |
| 14      | 17490608          | Screw Thdrol 3/8-16 x 1/2       |
| 17      | 159639X428        | Hood LT/PL                      |
| 18      | 126938X           | Bumper Hood                     |
| 20      | <b>180679</b>     | Plate Mtg Battery Fuel Tank     |
| 23      | 124028X           | Bushing                         |
| 24      | 74780616          | Bolt Fin Hex 3/8-16 x 1 Gr 5    |
| 25      | 19131312          | Washer 13/32 X 13/16 X 12 Ga    |
| 26      | 73800600          | Nut Lock Hex W/Ins 3/8-16 Unc   |
| 28      | <b>179844</b>     | Grille/Lens Asm                 |
| 29      | 170472X599        | Lens LT/PL                      |
| 30      | 169470X428        | Fender Footrest STLT Pnt        |
| 31      | 136619            | Bracket Fender                  |
| 33      | <b>179716X428</b> | Footrest Pnt Lh                 |
| 34      | <b>179717X428</b> | Footrest Pnt Rh                 |
| 35      | 72110606          | Bolt Rdhd Sht Sqnk 3/8-16 x 3/4 |
| 37      | 17490508          | Screw Thdrol 6/16-18 x 1/2 TYT  |
| 38      | <b>175710</b>     | Bracket Asm Pivot Mower Rear    |
| 51      | 73800400          | Nut Lock Hex W/Ins 1/4-20       |
| 52      | 19091416          | Washer 9/32 x 7/8 x 16 Ga.      |
| 53      | 144697            | Bracjet Grukke Lh               |
| 54      | 161464            | Screw Hex Wshd 8-18 x 7/8       |
| 55      | 144696            | Bracket Grille Rh               |
| 57      | 74780412          | Bolt Hex 1/4-20 x 3/4           |
| 58      | 174930            | Duct Air                        |
| 64      | 154798            | Dash Lower STLT                 |
| 142     | <b>175702</b>     | Plate Reinforcement STLT        |
| 145     | 156524            | Rod Pivot Chassis/Hood          |
| 159     | 169473X428        | Cupholder                       |
| 206     | 170165            | Bolt Shoulder 5/16-18           |
| 207     | 17670508          | Screw Thdrol 5/16-18 x 1/2      |
| 208     | 17670608          | Screw Thdrol 3/8-16 x 1/2       |
| 212     | 156229            | Insert Lens Relect              |
| 219     | <b>17000512</b>   | Screw 5/16-18 x 3/4             |

**NOTE:** All component dimensions given in U.S. inches  
1 inch = 25.4 mm





www.ersatzteil-service.de  
**TRACTOR - MODEL NUMBER PR185H42STE**

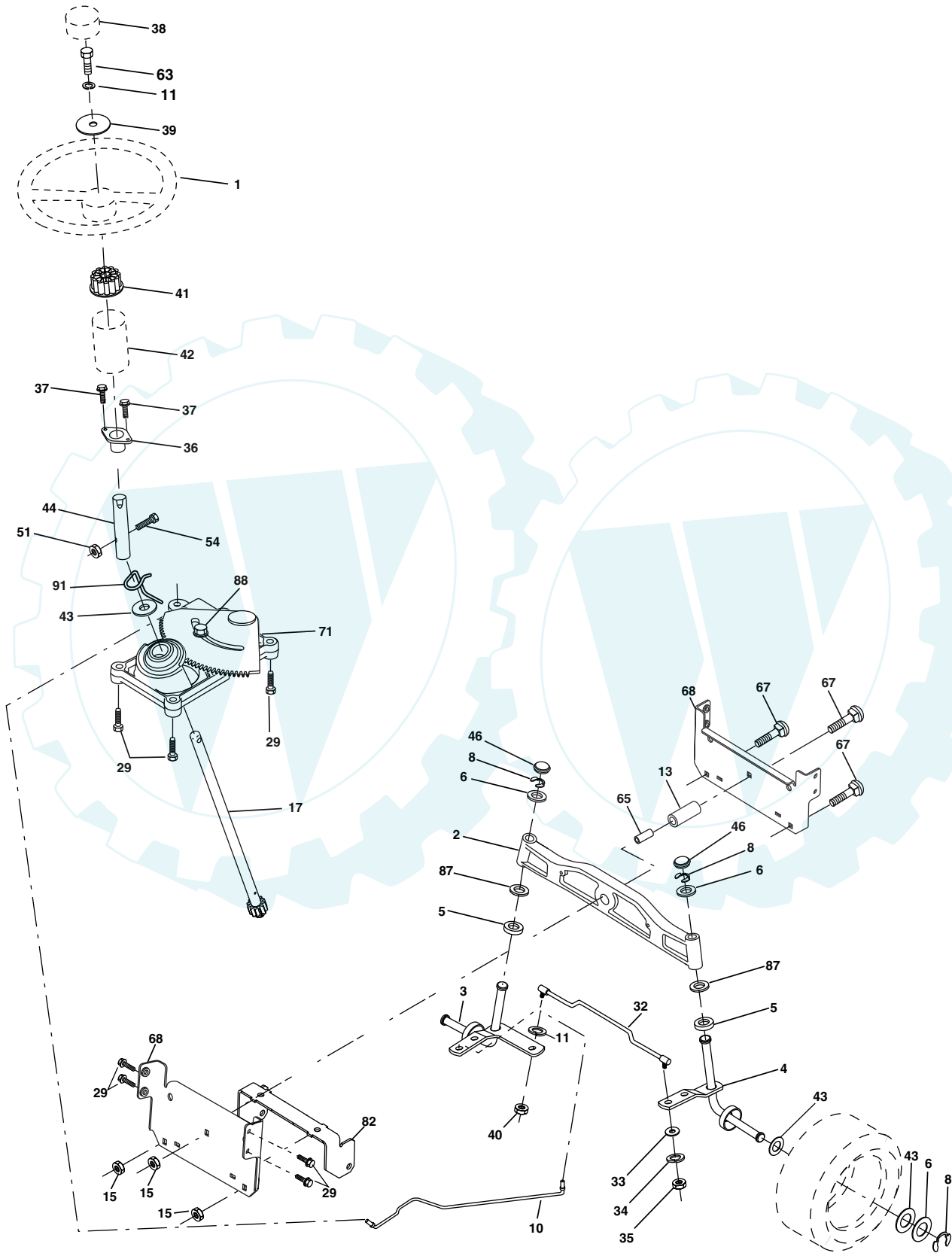
**DRIVE**

| KEY NO. | PART NO.        | DESCRIPTION   | KEY NO. | PART NO.   | DESCRIPTION                      |
|---------|-----------------|---|---------|------------|----------------------------------|
| 1       | -----           | Transaxle Hydro Gear 314-0510<br>(Order Parts From Transaxle<br>Manufacturer) | 66      | 154778     | Keeper Belt Engine               |
| 8       | 165619          | Rod Shift Hydro LT  | 69      | 142432     | Screw                            |
| 10      | 76020416        | Pin Cotter 1/8 x 1 CAD  | 70      | 134683     | Guide Belt                       |
| 14      | 10040400        | Washer Lock Hvy Helical   | 71      | 169183     | Strap Torque Lh Hydro            |
| 15      | 74490544        | Bolt, Hex FLGHD 5/16-18 Gr. 5   | 73      | 169182     | Strap Torque Rh Hydro            |
| 16      | 73800500        | Nut Lock Hex W/Ins 5/16-18 Unc P  | 74      | 137057     | Spacer, Axle                     |
| 19      | 73800600        | Nut Lock Hex W/Wsh 3/8-16 Unc   | 75      | 121749X    | Washer 25/32 x 1-1/4 x 16 Gauge  |
| 21      | 140845          | Knob, Round 1/2-13  | 76      | 12000001   | E-Ring                           |
| 22      | 169498          | Rod, Brake Hydro  | 77      | 123583X    | Key, Square                      |
| 24      | 73350600        | Nut   | 78      | 121748X    | Washer 25/32 x 1-5/8 x 16 Gauge  |
| 25      | 106888X         | Spring, Brake Rod   | 81      | 165596     | Shaft Asm. Cross Hydro           |
| 26      | 19131316        | Washer  | 82      | 123782X    | Spring Torsion T/A               |
| 27      | 76020412        | Pin Cotter 1/8 x 3/4 CAD.   | 83      | 19171216   | Washer 17/32 x 3/4 x 16 Ga.      |
| 28      | 175765          | Rod, Parking Brake  | 84      | 169594     | Link Transaxle                   |
| 29      | 71673           | Cap, Parking Brake  | 89      | 169373X428 | Console, Hydro                   |
| 30      | 169592          | Bracket, Transaxle  | 95      | 170201     | Control Asm Bypass Hydro         |
| 32      | 74760512        | Bolt Hex Hd 5/16-18 Unc x 3/4   | 96      | 4497H      | Retainer Spring 1" Zinc/Cad      |
| 34      | 175578          | Shaft, Foot Pedal   | 116     | 72140608   | Bolt RDHD SQNK 3/8-16 UNC x 1    |
| 35      | 120183X         | Bearing, Nylon  | 120     | 73900600   | Nut Lock Flg 3/8-16 Unc          |
| 36      | 19211616        | Washer  | 150     | 175456     | Spacer Retainer                  |
| 37      | 1572H           | Pin, Roll   | 151     | 19133210   | Washer 13/32 x 2 x 10 Ga.        |
| 38      | <b>179114</b>   | Pulley, Composite   | 156     | 166002     | Washer Srrted 5/16 ID x 1.125    |
| 39      | 74760648        | Bolt, Fin Hex 3/8-16 x 3  | 158     | 165589     | Bracket Shift Mount              |
| 41      | 175556          | Keeper, Belt Idler  | 159     | 165494     | Hub Tapered Flange Shift Lt      |
| 47      | 127783          | Pulley, Idler, V-Groove   | 161     | 72140406   | Bolt Rdhd Sqnk 1/4-20 x 3/4 Gr 5 |
| 48      | 154407          | Bellcrank Clutch Grnd Drv STL   | 162     | 73680400   | Nut Crownlock 1/4-20 Unc         |
| 49      | 123205X         | Retainer, Belt  | 163     | 74780416   | Bolt Hex Fin 1/4-20 Unc x 1 Gr 5 |
| 50      | 74760624        | Bolt  | 164     | 19091010   | Washer 5/8 x .281 x 10 Ga        |
| 51      | 73680600        | Nut Crownlock 3/8-16 UNC  | 165     | 165623     | Bracket Pivot Lever              |
| 52      | 73680500        | Nut Crownlock 5/16-18 UNC   | 166     | 166880     | Screw 5/16-18 x 5/8              |
| 53      | 105710X         | Link, Clutch  | 168     | 165492     | Bolt Shoulder 5/16-18 x .561     |
| 55      | 105709X         | Spring, Return, Clutch  | 169     | 165580     | Plate Fastening Lt               |
| 56      | <b>17060620</b> | Screw 3/8-16 x 1-1/4  | 197     | 169613     | Nyliner Snap-In 5/8" ID          |
| 57      | 140294          | V-Belt, Ground Drive  | 198     | 169593     | Washer Nyl 7/8 ID x .105         |
| 59      | 169691          | Keeper, Center Span   | 199     | 169612     | Bolt Shoulder 5/16-18 Unc        |
| 61      | <b>17120614</b> | Screw 3/8-16 x .875   | 200     | 72140508   | Bolt Rdhd Sqnk 5/16-18 Unc x 1   |
| 62      | 8883R           | Cover, Pedal  | 202     | 72110614   | Bolt Carr Sh 3/8-16 x 1-3/4 Gr 5 |
| 63      | 175410          | Pulley, Engine  | 212     | 145212     | Nut Hex flange Lock              |
| 64      | 71170764        | Bolt, Hex   | 250     | 17060612   | Screw Thdrol. 3/8-16 x .75       |
| 65      | 10040700        | Washer  |         |            |                                  |

**NOTE:** All component dimensions given in U.S. inches  
 1 inch = 25.4 mm

# TRACTOR - - MODEL NUMBER P1185H42STE

## STEERING ASSEMBLY





# TRACTOR - MODEL NUMBER PR185H42STE STEERING ASSEMBLY

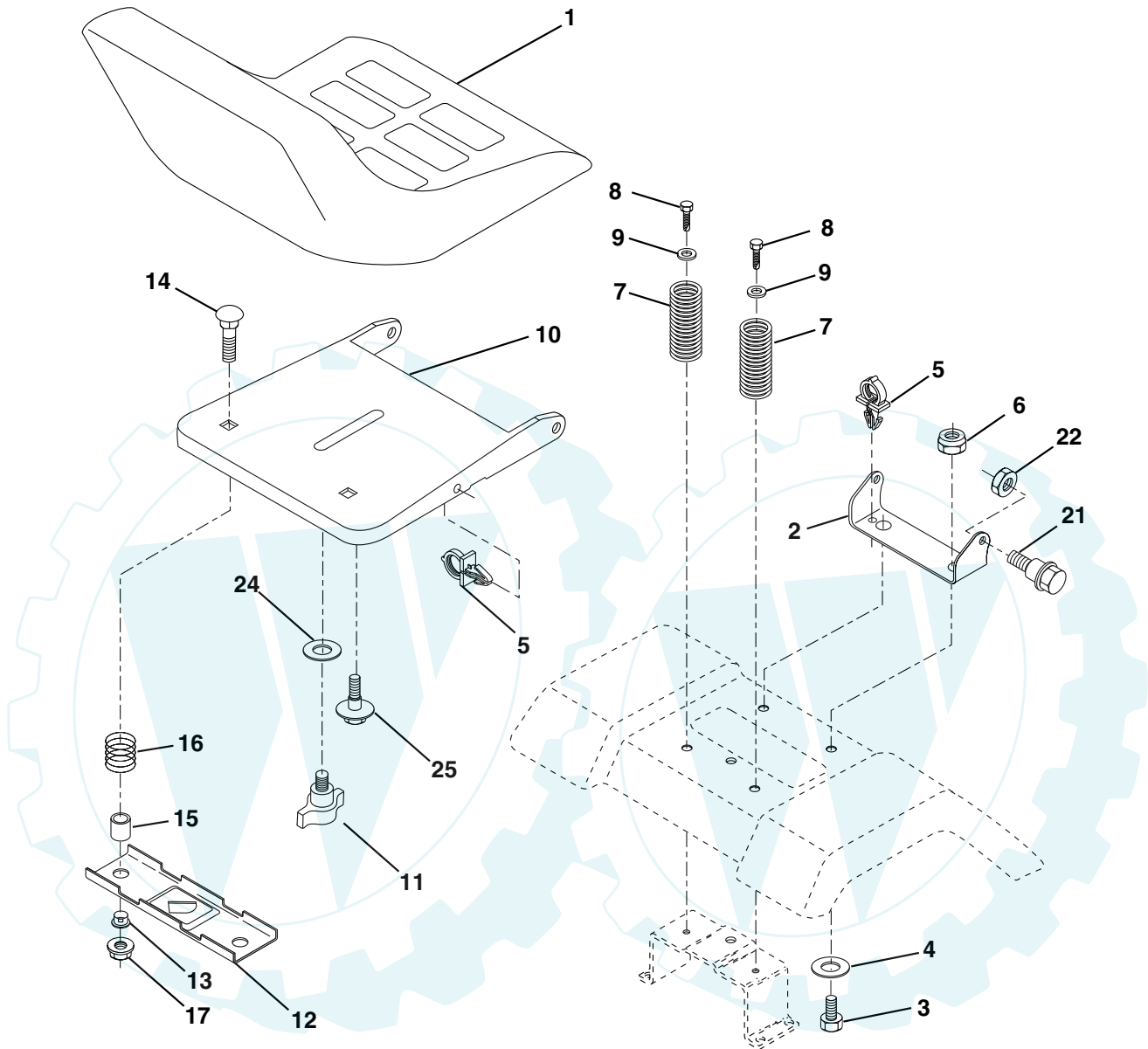
| KEY NO. | PART NO.   | DESCRIPTION                      |
|---------|------------|----------------------------------|
| 1       | 159944X428 | Wheel Steering                   |
| 2       | 172393     | Axle Asm Cast Iron LT            |
| 3       | 169840     | Spindle Asm LH                   |
| 4       | 169839     | Spindle Asm RH                   |
| 5       | 6266H      | Bearing Race Thrust Harden       |
| 6       | 121748X    | Washer 25/32 X 1-5/8 X 16 Ga     |
| 8       | 12000029   | Ring Klip #t5304-75              |
| 10      | 175121     | Link Drag                        |
| 11      | 10040600   | Washer Lock Hvy Hlcl Spr 3/8     |
| 13      | 136518     | Spacer Brg Axle Front            |
| 15      | 145212     | Nut Hex Flange Lock              |
| 17      | 177876     | Shaft Asm Steering               |
| 29      | 17060612   | Screw 3/8-16 x .75               |
| 32      | 171888     | Rod Tie                          |
| 33      | 19111216   | Washer 11/32 x 3/4 x 16 Ga       |
| 34      | 10040500   | Washer Lock Hvy Hlcl Spr 5/16    |
| 35      | 73540500   | Crownlock Nut 5/16-24 Unf        |
| 36      | 155099     | Bushing Strg                     |
| 37      | 152927     | Screw                            |
| 38      | 159946X428 | Insert Cap Strg Wh               |
| 39      | 19132411   | Washer 13/32 X 1-1/20 X 11 Ga    |
| 40      | 7810H      | Lock nut                         |
| 41      | 159945     | Adaptor Wheel Strg               |
| 42      | 145054X428 | Boot Steering Dash               |
| 43      | 121749X    | Washer 25/32 X 1 1/4 X 16 Ga     |
| 44      | 153720     | Extension Steering Shaft LR/LT   |
| 46      | 121232X    | Cap Spindle Fr Top Blk           |
| 51      | 73800500   | Nut Lock Hex w/Ins 5/16-18       |
| 54      | 74780520   | Bolt Fin Hex 5/16-18 Unc x 1-1/4 |
| 63      | 74780616   | Bolt Fin Hex 3/8-16unc x 1 Gr. 5 |
| 65      | 160367     | Spacer Brace Axle                |
| 67      | 72140618   | Bolt Rdhd Sq 3/8-16 Unc x 2-3/4  |
| 71      | 175146     | Steering Asm                     |
| 68      | 169827     | Axle, Brace                      |
| 82      | 169835     | Bracket Susp Chassis Front       |
| 87      | 173966     | Washer Flat .781 x 1-1/2 x .14   |
| 88      | 175118     | Bolt Shoulder 7/16-20 Unc        |
| 91      | 175553     | Clip Steering                    |

**NOTE:** All component dimensions given in U.S. inches

1 inch = 25.4 mm

# TRACTOR - - MODEL NUMBER PRI85H42STE

## SEAT ASSEMBLY



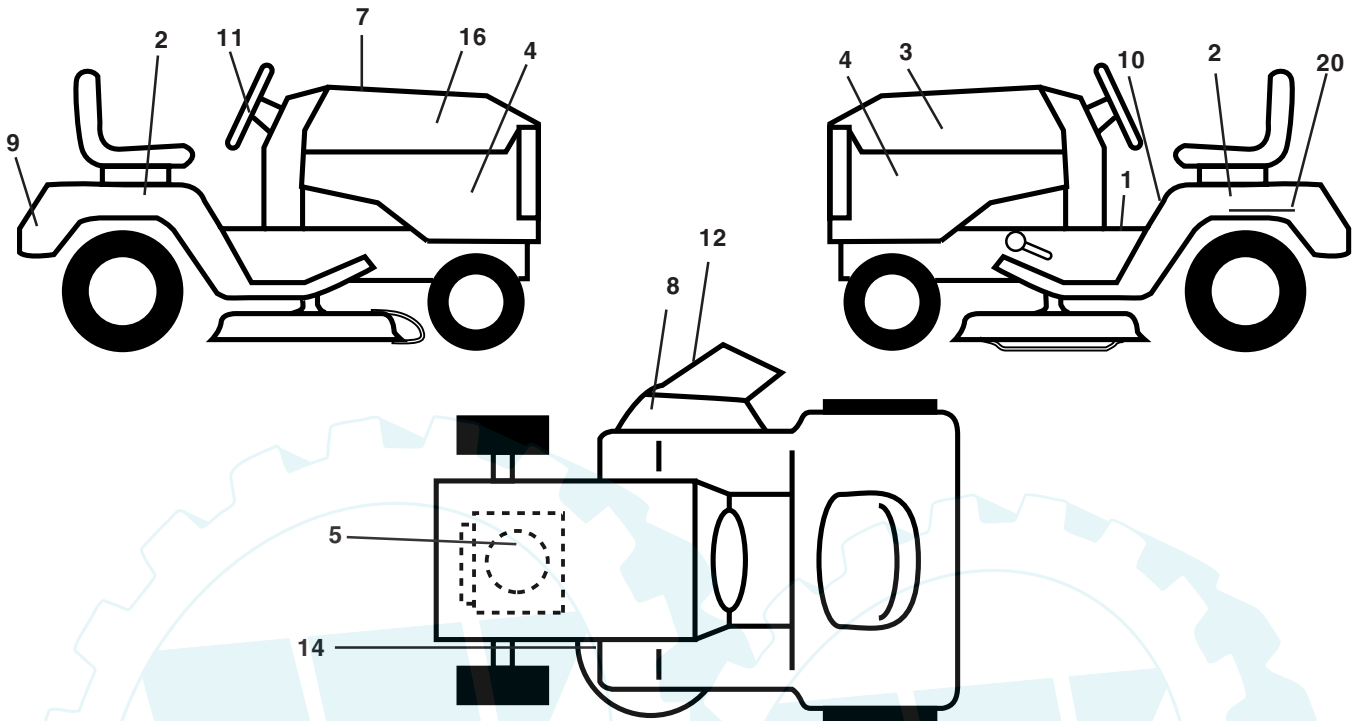
| KEY NO. | PART NO. | DESCRIPTION                    |
|---------|----------|--------------------------------|
| 1       | 171683   | Seat                           |
| 2       | 140551   | Bracket Pivot Seat 8 720       |
| 3       | 71110616 | Bolt Fin Hex 3/8-16unc X 1     |
| 4       | 19131610 | Washer 13/32 X 1 X 10 Ga       |
| 5       | 145006   | Clip Push-In                   |
| 6       | 73800600 | Nut Hex w/Ins. 3/8-16 Unc      |
| 7       | 124181X  | Spring Seat Cprsn 2 250 Blk Zi |
| 8       | 17000616 | Screw 3/8-16 x 1.5 Smgml       |
| 9       | 19131614 | Washer 13/32 X 1 X 14 Ga.      |
| 10      | 174894   | Pan Seat                       |
| 11      | 166369   | Knob Seat                      |
| 12      | 121246X  | Bracket Mounting Switch        |

| KEY NO. | PART NO. | DESCRIPTION                    |
|---------|----------|--------------------------------|
| 13      | 121248X  | Bushing Snap Blk Nyl 50 Id     |
| 14      | 72050412 | Bolt Rdhd Sqnk 1/4-20x1-1/2    |
| 15      | 134300   | Spacer Split 28x 88            |
| 16      | 121250X  | Spring Cprsn                   |
| 17      | 123976X  | Nut Lock 1/4 Lge Flg Gr 5 Zinc |
| 21      | 171852   | Bolt Shoulder 5/16-18 Unc      |
| 22      | 73800500 | Nut Hex Lock W/Ins 5/16-18     |
| 24      | 19171912 | Washer 17/32 X 1-3/16 X 12 Ga. |
| 25      | 127018X  | Bolt Shoulder 5/16-18 X 62     |

**NOTE:** All component dimensions given in U.S. inches  
1 inch = 25.4 mm

TRACTOR - MODEL NUMBER PR185H42STE [www.ersatzteil-service.de](http://www.ersatzteil-service.de)

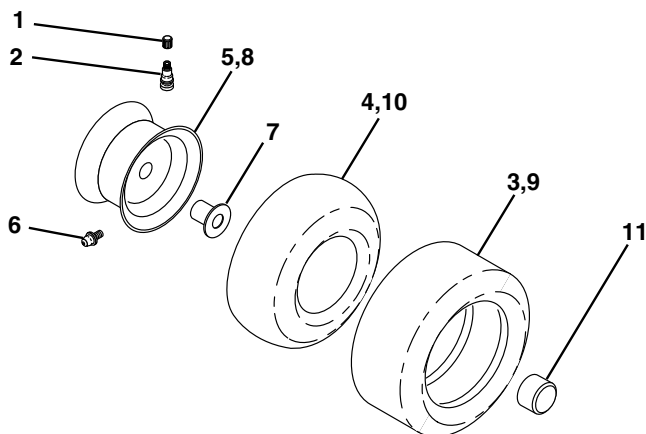
DECALS



| KEY NO. | PART NO.      | DESCRIPTION                     |
|---------|---------------|---------------------------------|
| 1       | 157032        | Decal Oper                      |
| 2       | 176303        | Decal Fender Auto               |
| 3       | 176308        | Decal Hood LH                   |
| 4       | 176309        | Decal Side Panel Logo           |
| 5       | 174410        | Decal HP Engine                 |
| 7       | <b>180892</b> | Decal Replacement Parts         |
| 8       | <b>179128</b> | Decal Deck "B" 42"              |
| 9       | 172740        | Decal Fender Logo               |
| 10      | 157140        | Decal Fender Danger E/F         |
| 11      | 172743        | Decal Ins Strg Whl              |
| 12      | 170563        | Decal Mower Warn Keep Hand Away |

| KEY NO. | PART NO.          | DESCRIPTION                    |
|---------|-------------------|--------------------------------|
| 14      | 160396            | Decal V-Belt Schematic         |
| 16      | 176307            | Decal Hood Rh                  |
| 20      | 145005            | Decal Bat Dan/Psn              |
| --      | 169210            | Decal By Pass Lt Hydro         |
| --      | <b>179768X428</b> | Pad Footrest LH                |
| --      | <b>179769X428</b> | Pad Footrest RH                |
| --      | 138311            | Decal Handle Lft Height Adjust |
| --      | 173587            | Decal Fend Reflector Rh        |
| --      | 173589            | Decal Fend Reflector Lh        |
| --      | <b>180241</b>     | Manual Owner's (English)       |
| --      | <b>180242</b>     | Manual Owner's (French)        |

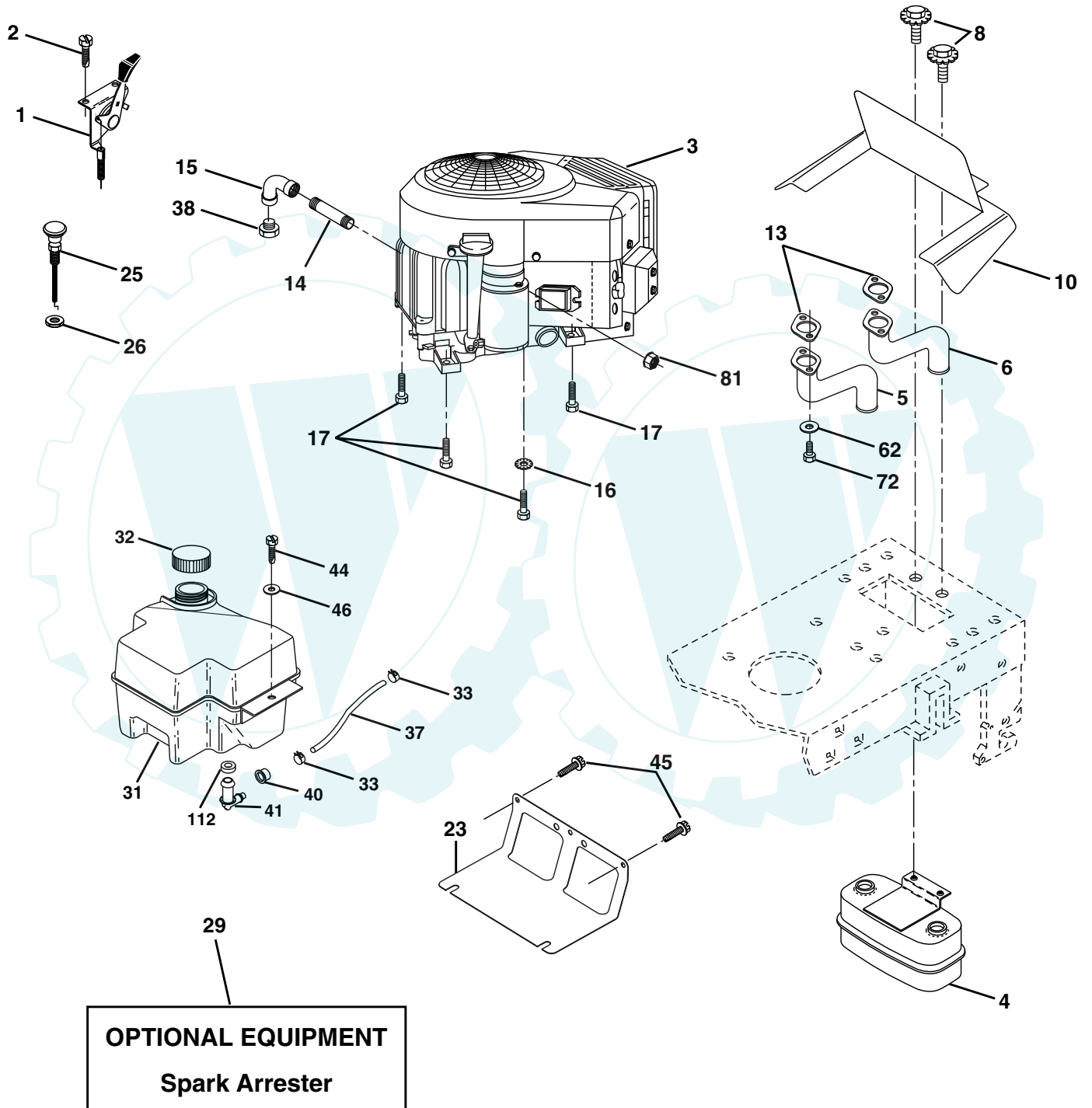
WHEELS AND TIRES



| KEY NO. | PART NO.   | DESCRIPTION                       |
|---------|------------|-----------------------------------|
| 1       | 59192      | Cap Valve Tire                    |
| 2       | 65139      | Stem Valve                        |
| 3       | 170455     | Tire F T 15 X 6 0 - 6 Service     |
| 4       | 59904      | Tube Front (Service Item Only)    |
| 5       | 106732X421 | Rim Asm 6"front Service           |
| 6       | 278H       | Fitting Grease (Front Wheel Only) |
| 7       | 9040H      | Bearing Flange (Front Wheel nly)  |
| 8       | 106108X421 | Rim Asm 8"rear Service            |
| 9       | 170456     | Tire R T 20x10-8 Service          |
| 10      | 7152J      | Tube Rear (Service Item Only)     |
| 11      | 104757X421 | Cap Axle Blk 1 50 X 1 00          |
| --      | 144334     | Sealant, Tire ( 10 oz. Tube)      |

**NOTE:** All component dimensions given in U.S. inches  
1 inch = 25.4 mm

ENGINE



ENGINE

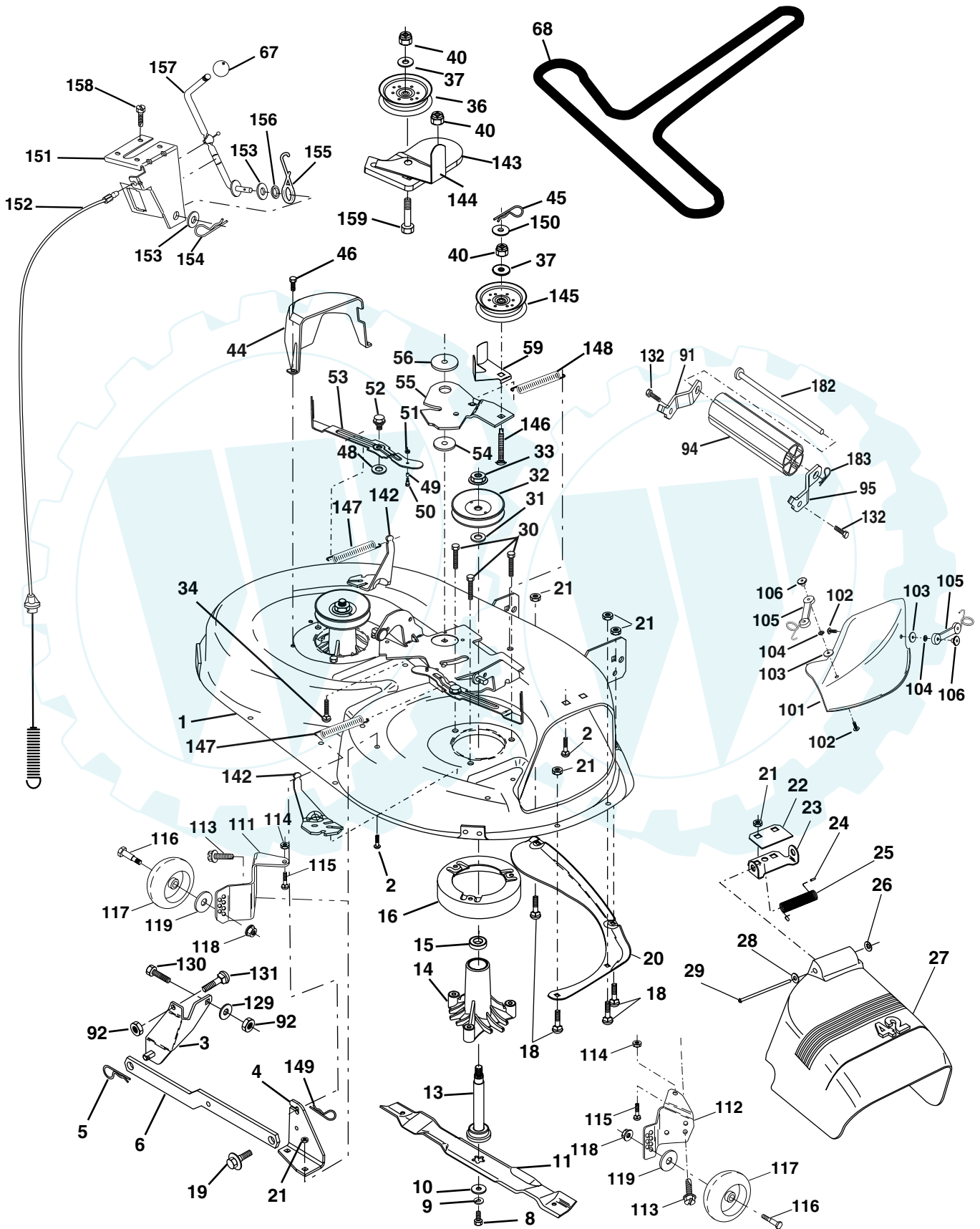
| KEY NO. | PART NO.        | DESCRIPTION  |
|---------|-----------------|--|
| 1       | 170771          | Control, Throttle  |
| 2       | <b>17720408</b> | Screw Hex Thd Cut 1/4-20 x 1/2                               |
| 3       | -----           | Engine Briggs Model 407777<br>(Order Parts from Engine Mfg.) |
| 4       | 149723          | Muffler, Asm. Twin Lo-Tone                                   |
| 5       | 160589          | Pipe Exhaust Intek 20 RH                                     |
| 6       | 159955          | Pipe Exhaust Intek 20 LH                                     |
| 8       | 171877          | Bolt 5/16-18 UNC x 3/4 w/Sems                                |
| 10      | 162797          | Shield Browing B&S Intek II                                  |
| 13      | 165391          | Muffler Gasket   |
| 14      | <b>13280324</b> | Nipple Pipe 3/8 NPT x 3"                                     |
| 15      | <b>13200300</b> | Elbow Std 90 Degree 3/8-18 NPT                               |
| 16      | 11050600        | Washer, Lock Ext tooth 3/8                                   |
| 17      | <b>17060624</b> | Screw 3/8-16 x 1-1/2   |
| 23      | 169837          | Shield, Browning/Debris Guard                                |
| 25      | 145996          | Control Choke  |
| 26      | 73920600        | Nut Keps 3/8-24 UNF  |
| 29      | 137180          | Arrester, Spark  |
| 31      | <b>180645</b>   | Tank, Fuel   |
| 32      | 140527          | Cap Gauge, Fuel  |
| 33      | 123487X         | Clamp, Hose Blk  |
| 37      | 137040          | Line, Fuel 7.5   |
| 38      | -----           | Plug Drain Oil (Order From Engine Mfg.)                      |
| 40      | 124028X         | Bushing Snap Nyl Blk Fuel Line                               |
| 41      | <b>139277</b>   | Stem Tank Fuel   |
| 44      | 17670412        | Screw Hex Wsh Thdrol 1/4-20 x 3/4                            |
| 45      | 17000612        | Screw Hex Wsh Thdrol 3/8-16 x 3/4                            |
| 46      | 19091416        | Washer 9/32 x 7/8 x 16 Ga.                                   |
| 62      | 10040500        | Washer Lock Hvy Hlcl Spr 5/16                                |
| 72      | 71070512        | Screw Hex Hd Cap 5/16-18 x 3/4                               |
| 81      | 73510400        | Nut Keps Hex 1/4-20 Unc                                      |
| 112     | <b>3645J</b>    | Bushing  |

**NOTE:** All component dimensions given in U.S. inches  
1 inch = 25.4 mm

TRACTOR - - MODEL NUMBER PRI85H42STE

MOWER DECK

[www.ersatzteil-service.de](http://www.ersatzteil-service.de)





www.ersatzteil-service.de  
**TRACTOR - MODEL NUMBER PR185H42STE**

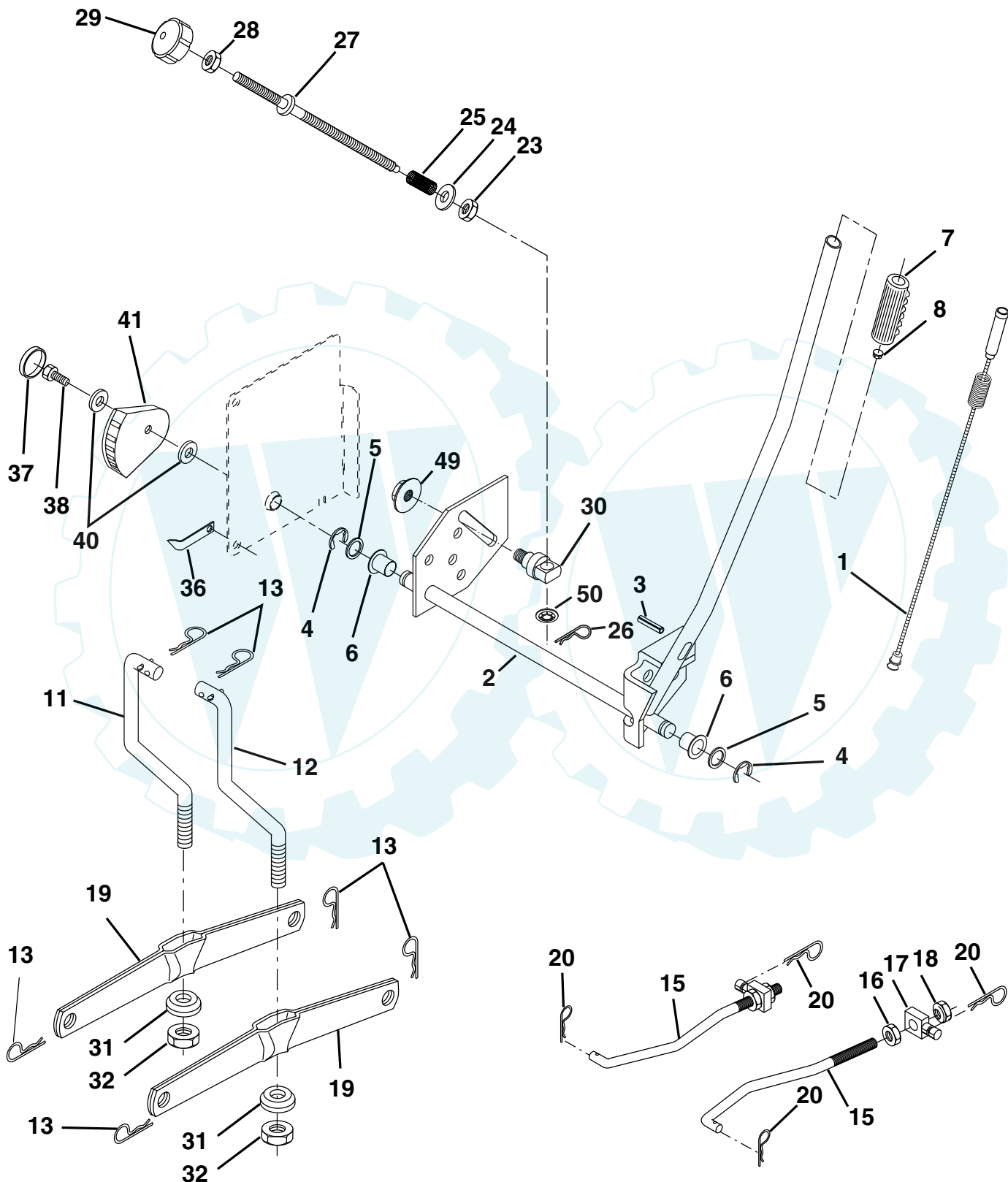
**MOWER DECK**

| KEY NO. | PART NO.       | DESCRIPTION                      | KEY NO. | PART NO.          | DESCRIPTION   |
|---------|----------------|----------------------------------|---------|-------------------|---|
| 1       | 165892X421     | Mower Deck Assembly, 42"         | 68      | 144959            | V-Belt, 42" Mower   |
| 2       | 72140506       | Bolt                             | 91      | <b>180532</b>     | Bracket Asm Noseroller LH   |
| 3       | 138017         | Bracket Asm Fr. Sway Bar 3/42    | 94      | 132264            | Roller Nose 38 & 42   |
| 4       | <b>165460X</b> | Bracket Asm Deck 42" Sway Bar    | 95      | <b>180533</b>     | Bracket Asm Noseroller RH   |
| 5       | 4939M          | Retainer Spring                  | 101     | 136420            | Mulcher Cover   |
| 6       | <b>178024</b>  | Bar Sway Deck                    | 102     | 71081010          | Screw, Pan Hd Phillip 10-24 x 5/8   |
| 8       | 850857         | Bolt 3/8-24 x 25 Grade 8 patched | 103     | 19061216          | Washer, Flat  |
| 9       | 10030600       | Washer, Lock                     | 104     | 10071000          | Washer, Lock  |
| 10      | 140296         | Washer, Hardened                 | 105     | 160793            | Latch Assembly  |
| 11      | 134149         | Blade, Mulching 42" Std          | 106     | 2029J             | Nut, Weld   |
|         | 138498         | Blade Mower 42" Hi-Lift Std      | 111     | <b>179292X421</b> | Bracket, Gauge, Wheel LH  |
| 13      | 137645         | Shaft Assembly, Mandrel, Vented  | 112     | <b>179293X421</b> | Bracket, Gauge, Wheel RH  |
| 14      | 128774         | Housing, Mandrel, Vented         | 113     | <b>17060510</b>   | Screw 3/8-16 x .625   |
| 15      | 110485X        | Bearing, Ball, Mandrel           | 116     | 4898H             | Bolt, Shoulder  |
| 16      | 174493         | Stripper, Mandrel Deck           | 117     | 165746            | Wheel, Gauge  |
| 18      | 72140505       | Bolt, Carriage 5/16-18 x 5/8     | 118     | 73930600          | Nut Centerlock 3/8-16   |
| 19      | 132827         | Bolt, Shoulder                   | 119     | 19121414          | Washer 3/8 x 7/8 x 14 Ga.   |
| 20      | 159770         | Baffle, Vortex                   | 132     | <b>17060612</b>   | Screw 3/8-16 x .75  |
| 21      | 73680500       | Nut                              | 142     | <b>165890</b>     | Arm Spring Brake Mower  |
| 22      | <b>134753</b>  | Stiffener Bracket                | 143     | <b>157109</b>     | Bracket Arm Idler 42"   |
| 23      | <b>131267</b>  | Bracket, Deflector Mower 42"     | 144     | 173441            | Keeper Belt 42" Clutch Cable  |
| 24      | 105304X        | Cap, Sleeve 80 x 112 Blk Mower   | 145     | 173437            | Pulley Idler Flat   |
| 25      | 123713X        | Spring, Torsion, Deflector 2 52  | 146     | 173443            | Bolt Carriage Idler   |
| 26      | 110452X        | Nut, Push Phos & Oil             | 147     | 131335            | Spring Extension  |
| 27      | 130968X428     | Shield, Deflector 42" Blk        | 148     | 169022            | Spring Return Idler   |
| 28      | 19111016       | Washer 11/32 x 5/8 x 16 Gauge    | 149     | 165898            | Retainer Spring Yellow  |
| 29      | 131491         | Rod, Hinge 42" 6 75 W/G          | 150     | 19091216          | Washer 9/32 x 3/4 x 16 Ga.  |
| 30      | <b>173984</b>  | Screw Thdrol                     | 151     | 169670            | Bracket Clutch Cable  |
| 31      | 129963         | Washer, Spacer Mower Vented      | 152     | 169676            | Clutch Cable 42"  |
| 32      | 173436         | Pulley, Mandrel                  | 153     | 169674            | Washer Flat 3/8" Type B   |
| 33      | <b>178342</b>  | Nut, Toplock                     | 154     | 169675            | Spring Retainer   |
| 34      | 72110614       | Bolt                             | 155     | 169671            | Spring Retention LVR CLTCH CAB  |
| 36      | 173438         | Pulley, Idler, Flat              | 156     | 169672            | Spacer Clutch Cable   |
| 37      | 19131316       | Washer 13/32 x 13/16 x 16 Gauge  | 157     | 169669            | Rod Clutch Cable 3/8"   |
| 40      | 73680600       | Nut                              | 158     | <b>17720408</b>   | Screw Hex Thd Cut 1/4-20 x 5/8  |
| 44      | 140088         | Guard, Mandrel, LH               | 159     | 72140614          | Bolt Rdhd Sqn 3/8-16 UNC x 1-3/4  |
| 45      | 4497H          | Retainer                         | 182     | <b>179126</b>     | Rod Roller Nose   |
| 46      | 137729         | Screw, Thdrol 1/4-20 x 5/8 T     | 183     | <b>163552</b>     | Retainer Spring   |
| 48      | 133944         | Washer, Hardened                 | --      | 130794            | Mandrel Assembly (Includes Housing Shaft and Shaft Hardware Only - Pulley Not Included) |
| 49      | 174284         | Roller Assembly, Cam Follower    | --      | 172559            | Replacement Mower, Complete   |
| 50      | 131340         | Bolt, Shoulder #10-24 Grade 5    |         |                   |   |
| 51      | 69180          | Locknut                          |         |                   |   |
| 52      | 139888         | Bolt, Shoulder 5/16-18 UNC       |         |                   |   |
| 53      | 131845         | Arm Assembly, Pad, Brake         |         |                   |   |
| 54      | 133943         | Washer, Hardened                 |         |                   |   |
| 55      | <b>155046</b>  | Arm, Idler                       |         |                   |   |
| 56      | 122052X        | Spacer, Retainer                 |         |                   |   |
| 59      | 173442         | Guard TUV Idler                  |         |                   |   |
| 67      | 171598         | Knob Round                       |         |                   |   |

**NOTE:** All component dimensions given in U.S. inches  
 1 inch = 25.4 mm



MOWER LIFT



MOWER LIFT

| KEY NO. | PART NO.      | DESCRIPTION                      |
|---------|---------------|----------------------------------|
| 1       | 159460        | Wire Asm Inner/Sprg W/plunger LT |
| 2       | 159471        | Shaft Asm Lift RH w/Inf          |
| 3       | 105767X       | Pin Groove 1 500 Zinc            |
| 4       | 12000002      | E Ring #5133-62                  |
| 5       | 19211621      | Washer 21/32 X 1 X 21 Ga         |
| 6       | 120183X       | Bearing Nylon Blk 629 Id         |
| 7       | 125631X       | Grip Handle                      |
| 8       | 170770        | Button Plunger                   |
| 11      | 139865        | Link Lift LH Fixed Length        |
| 12      | 139866        | Link Lift RH Fixed Length        |
| 13      | 4939M         | Retainer Spring                  |
| 15      | 173288        | Link Front                       |
| 16      | 73350800      | Nut Jam Hex 1/2-13 Unc           |
| 17      | <b>175689</b> | Trunnion                         |
| 18      | 73800800      | Nut Lock W/Wsh 1/2-13 Unc        |
| 19      | 139868        | Arm Suspension Rear              |
| 20      | 163552        | Retainer Spring                  |
| 23      | 110807X       | Nut Special                      |
| 24      | 19131016      | Washer 13/32 X 5/8 X 16 Ga       |
| 25      | 2876H         | Spring 2-1/8"                    |
| 26      | 169484        | Retainer Clip                    |
| 27      | 126971X       | Rod Adj Lift Zinc 7.49 Wrk Lg    |
| 28      | 73350600      | Nut Hex Jam 3/8-16 Unc           |
| 29      | 138057        | Knob Inf 3/8-16 Unc Blk W/sym    |
| 30      | 150233        | Trunnion Infin Height            |
| 31      | 169865        | Bearing Pvt Lift                 |
| 32      | 73540600      | Nut Crownlock 3/8 - 24           |
| 36      | 155097        | Pointer Height Indicator         |
| 37      | 123935X       | Plug Hole Blk 1.485/1.515 Dia.   |
| 38      | 17060516      | Screw 5/16-18 x 1                |
| 40      | 19112410      | Washer 11/32 x 1-1/2 10 Ga.      |
| 41      | 155098        | Indicator Height STLT            |
| 49      | 145212        | Nut Hex Flange Lock              |
| 50      | 110452X       | Nut PUsH Phos & Oi               |

**NOTE:** All component dimensions given in U.S. inches  
1 inch = 25.4 mm