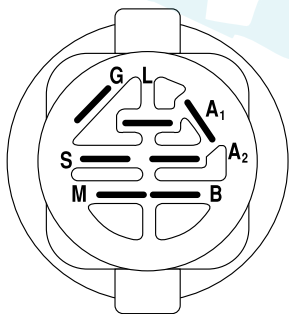
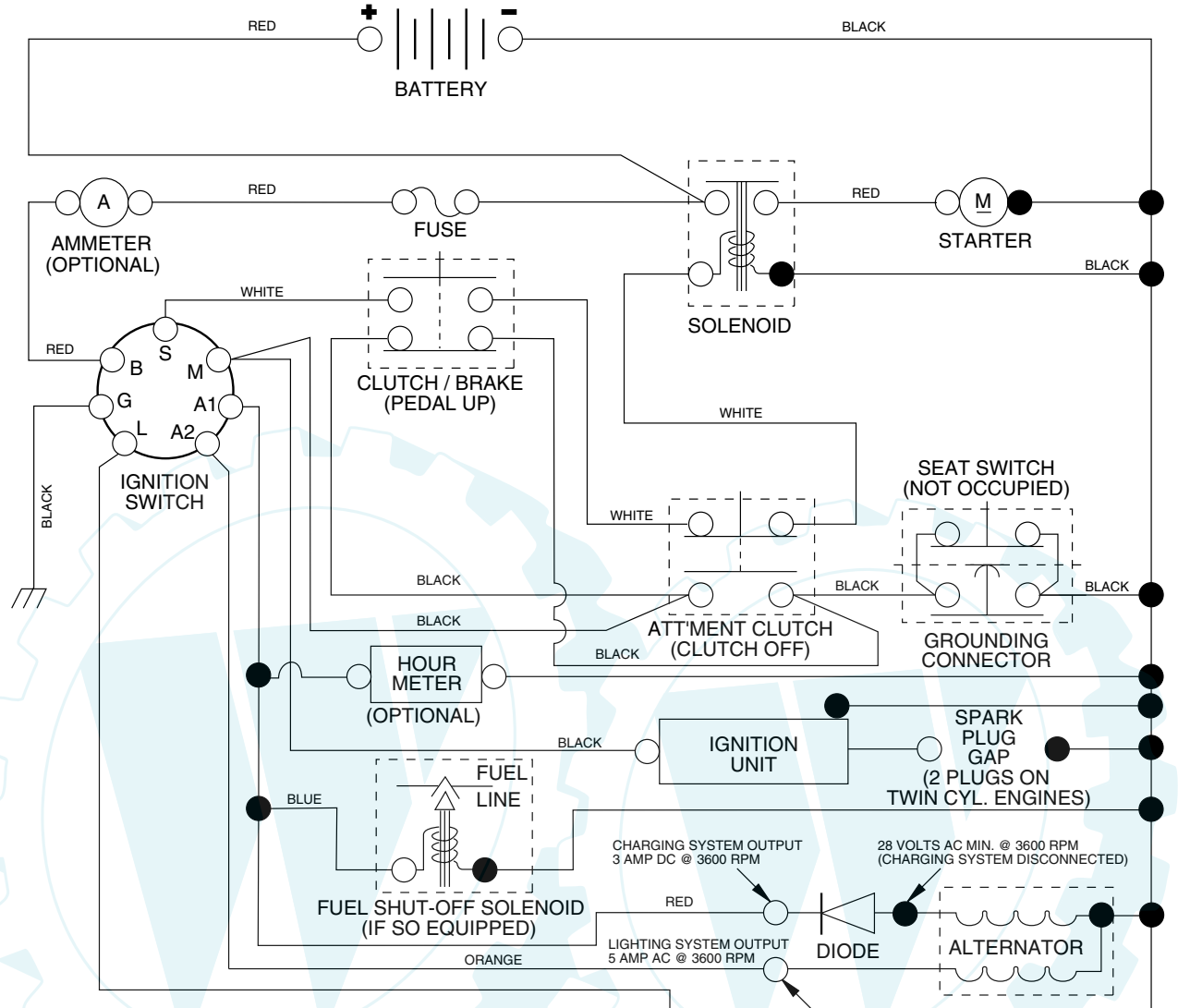


SCHEMATIC



IGNITION SWITCH

| POSITION | CIRCUIT | "MAKE" |
|-----------|------------|--------|
| OFF | M+G+A1 | NONE |
| RUN/LIGHT | B+A1 | A2+L |
| RUN | B+A1 | NONE |
| START | B + S + A1 | NONE |

NOTE
YOUR TRACTOR IS EQUIPPED WITH A SPECIAL ALTERNATOR SYSTEM. THE LIGHTS ARE NOT CONNECTED TO THE BATTERY, BUT HAVE THEIR OWN ELECTRICAL SOURCE. BECAUSE OF THIS, THE BRIGHTNESS OF THE LIGHTS WILL CHANGE WITH ENGINE SPEED. AT IDLE THE LIGHTS WILL DIM. AS THE ENGINE IS SPEEDED UP, THE LIGHTS WILL BECOME THEIR BRIGHTEST.

WIRING INSULATED CLIPS

NOTE: IF WIRING INSULATED CLIPS WERE REMOVED FOR SERVICING OF UNIT, THEY SHOULD BE REPLACED TO PROPERLY SECURE YOUR WIRING.

NON-REMOVABLE CONNECTIONS

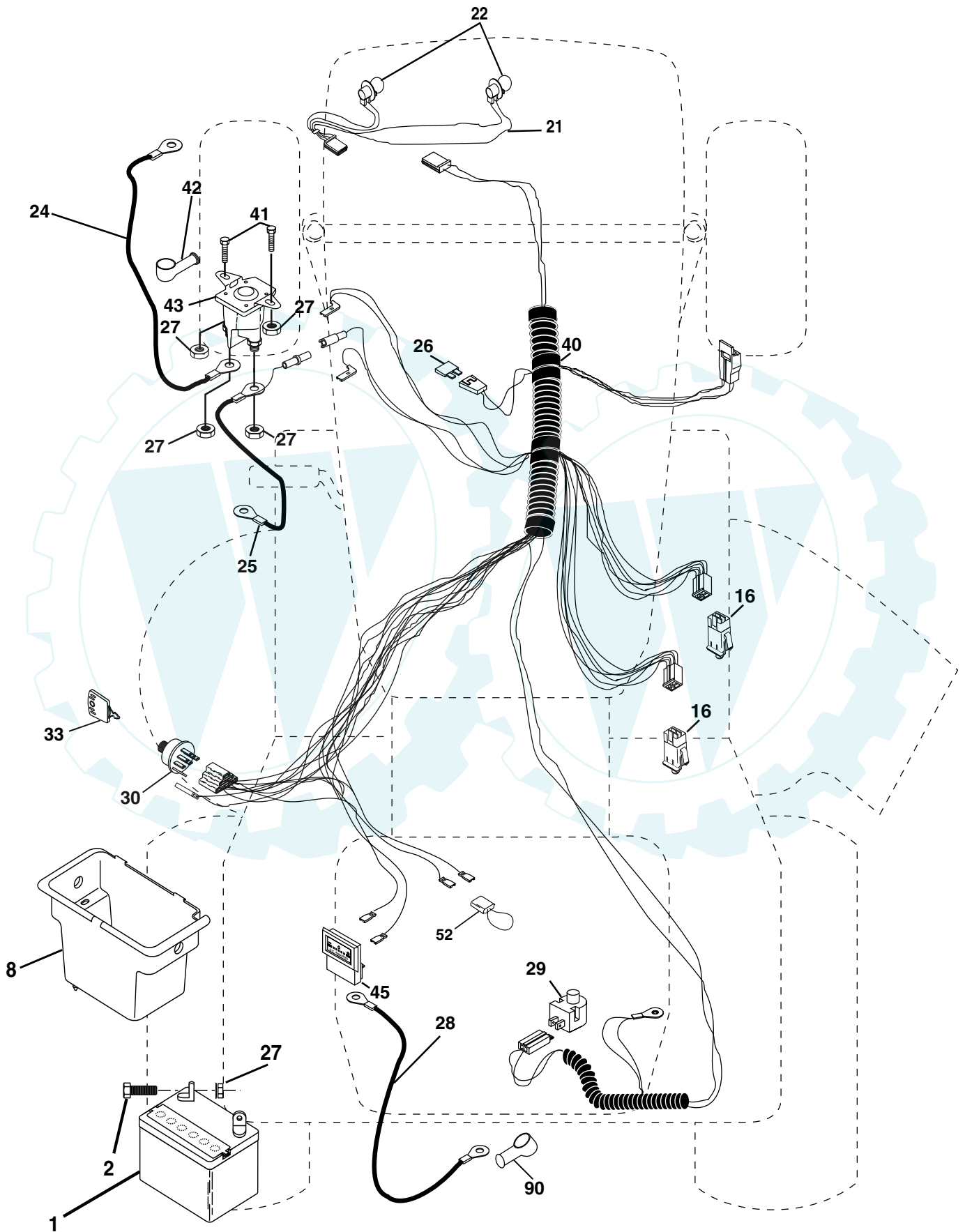
REMOVABLE CONNECTIONS

REPAIR PARTS

www.ersatzteil-service.de

TRACTOR - - MODEL NUMBER PR17H42STD

ELECTRICAL



TRACTOR - - MODEL NUMBER PR17H42STD

ELECTRICAL

| KEY NO. | PART NO. | DESCRIPTION |
|---------|----------|----------------------------------|
| 1 | 163465 | Battery |
| 2 | 74760412 | Bolt Hex Hd 1/4-20unc X 3/4 |
| 8 | 176689 | Battery Box |
| 16 | 176138 | Switch Interlock Push-In |
| 21 | 175685 | Harness Socket Light |
| 22 | 4152J | Bulb, Light # 1156 |
| 24 | 4799J | Cable Battery |
| 25 | 146147 | Cable Battery 6 Ga Red w/16 wire |
| 26 | 175158 | Fuse |
| 27 | 73510400 | Nut Keps Hex 1/4-20 Unc |
| 28 | 4207J | Cable Ground 6ga 12 black |
| 29 | 121305X | Switch Plunger Nc Gray |
| 30 | 175566 | Switch Ign |
| 33 | 140401 | Key Ign Molded Generic |
| 40 | 179720 | Harness Ign |
| 41 | 71110408 | Bolt Fin Hex 1/4-20uncx 1/2 |
| 42 | 131563 | Cover Terminal Red |
| 43 | 178861 | Solenoid |
| 45 | 121433X | Ammeter Rectangular |
| 52 | 141940 | Protection Loop |
| 90 | 180449 | Cover Terminal |

NOTE: All component dimensions given in U.S. inches
1 inch = 25.4 mm

TRACTOR - - MODEL NUMBER PR17H42STD

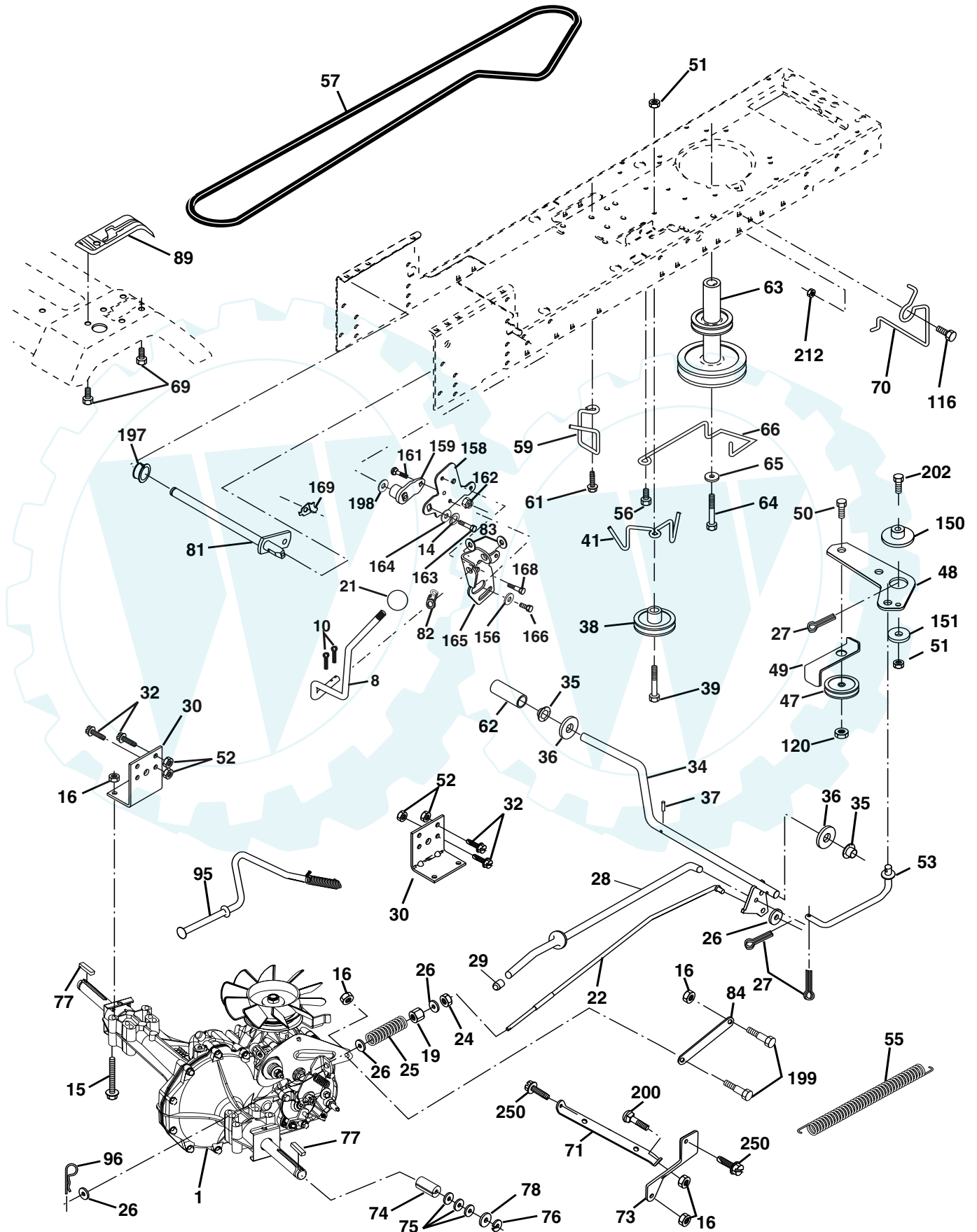
CHASSIS AND ENCLOSURES

| KEY NO. | PART NO. | DESCRIPTION |
|---------|------------|---------------------------------|
| 1 | 174619 | Chassis |
| 2 | 176554 | Drawbar |
| 3 | 17060612 | Screw 3/8-16x.75 |
| 5 | 155272 | Bumper Hood/Dash |
| 9 | 168337X012 | Dash P/L |
| 10 | 72140608 | Bolt Carriage 3/8-16 x 1 |
| 11 | 174996 | Panel Dash Lh |
| 12 | 145660 | Clip Tinnerman |
| 13 | 172106 | Panel Dash Rh |
| 14 | 17490608 | Screw Thdrol 3/8-16 x 1-1/4 |
| 17 | 159639X428 | Hood LT/PL |
| 18 | 126938X | Bumper Hood |
| 20 | 180679 | Plate Mtg Battery Fuel Tank Fr |
| 23 | 124028X | Bushing |
| 24 | 74780616 | Bolt Fin Hex 3/8-16 x 1 Gr 5 |
| 25 | 19131312 | Washer 13/32 X 13/16 X 12 Ga |
| 26 | 73800600 | Nut Lock Hex W/Ins 3/8-16 Unc |
| 28 | 179844 | Grille LT/PL |
| 29 | 170472X599 | Lens LT/PL |
| 30 | 169470X428 | Fender Footrest STLT Pnt |
| 31 | 136619 | Bracket Support Fender |
| 33 | 179716X428 | Footrest Pnt Lh |
| 34 | 179717X428 | Footrest Pnt Rh |
| 35 | 72110606 | Bolt Rdhd Sht Sqnk 3/8-16 x 3/4 |
| 37 | 17490508 | Screw Thdrol 6/16-18 x 1/2 TYT |
| 38 | 175710 | Bracket Asm. Pivot Mower Rear |
| 51 | 73800400 | Nut Lock Hex W/Ins 1/4-20 |
| 52 | 19091416 | Washer 9/32 x 7/8 x 16 Ga. |
| 53 | 144697 | Bracjet Grukke Lh |
| 54 | 161464 | Screw Hex Wshd 8-18 x 7/8 |
| 55 | 144696 | Bracket Grille Rh |
| 57 | 74780412 | Bolt Hex 1/4-20 x 3/4 |
| 58 | 174930 | Duct Air |
| 64 | 154798 | Dash Lower STLT |
| 114 | 158112 | Keeper Belt Rear Lh |
| 115 | 17060620 | Screw 3/8-16 x 1-1/4 |
| 142 | 175702 | Plate Reinforcement STLT |
| 145 | 156524 | Rod Pivot Chassis/Hood |
| 159 | 169473X428 | Cupholder |
| 206 | 170165 | Bolt Shoulder 5/16-18 |
| 207 | 17670508 | Screw Thdrol 5/16-18 x 1/2 |
| 208 | 17670608 | Screw Thdrol 3/8-16 x 1/2 |
| 211 | 145212 | Nut Hex Flange Lock |
| 212 | 156229 | Insert Lens Reflect P/L LT |
| 219 | 17000512 | Screw 5/16-18 x 3/4 |
| -- | 5479J | Plug |

NOTE: All component dimensions given in U.S. inches
1 inch = 25.4 mm

TRACTOR - - MODEL NUMBER PR17H42STD

DRIVE



TRACTOR - - MODEL NUMBER PR17H42STD

DRIVE

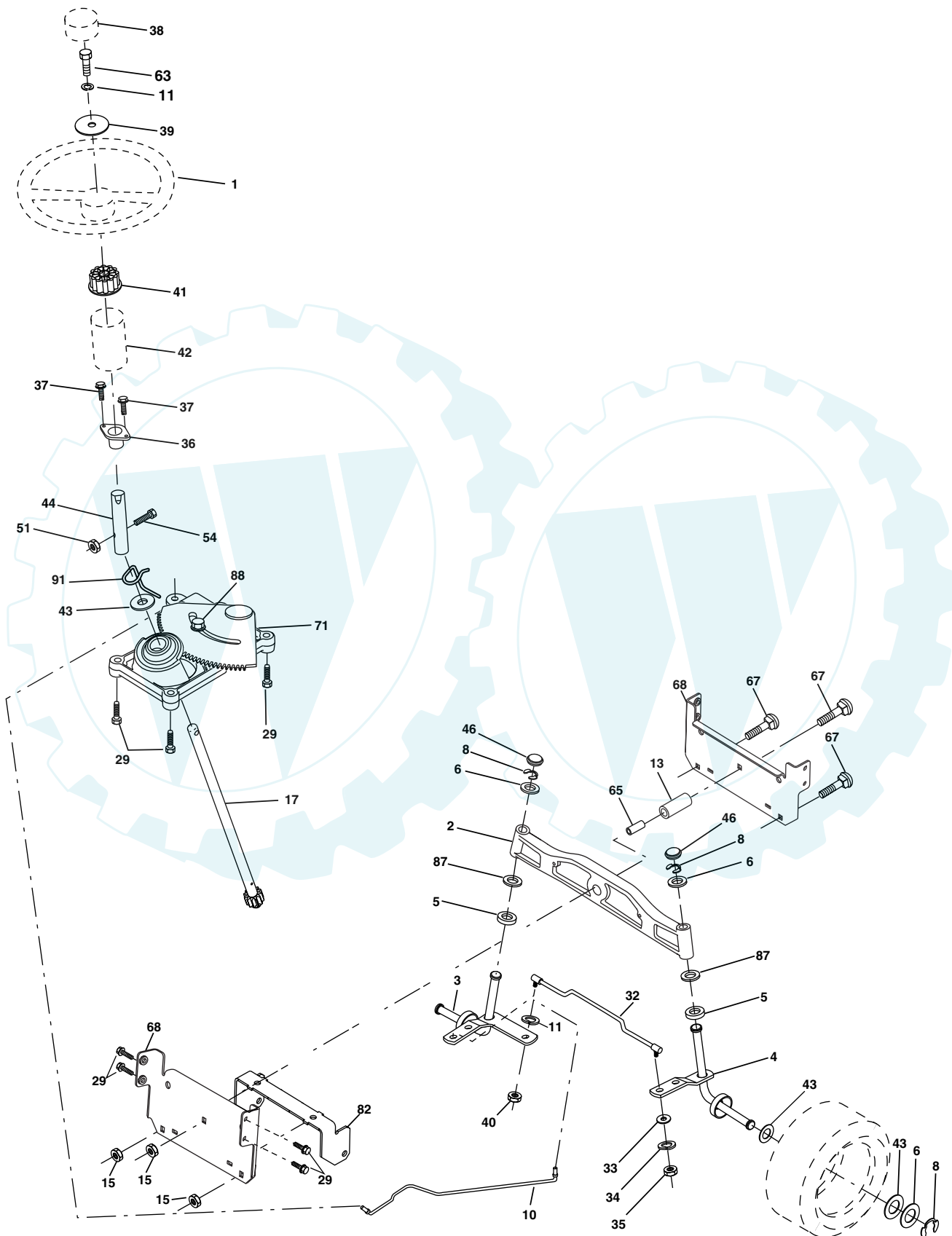
| KEY NO. | PART NO. | DESCRIPTION | KEY NO. | PART NO. | DESCRIPTION |
|---------|----------|---|---------|------------|----------------------------------|
| 1 | ----- | Transaxle Hydro Gear 314-0510 (Order Parts From Transaxle Manufacturer) | 66 | 154778 | Keeper Belt Engine |
| 8 | 165619 | Rod Shift Hydro LT | 69 | 142432 | Screw |
| 10 | 76020416 | Pin Cotter 1/8 x 1 CAD | 70 | 134683 | Guide Belt |
| 14 | 10040400 | Washer Lock Hvy Helical | 71 | 169183 | Strap Torque Lh Hydro |
| 15 | 74490544 | Bolt, Hex FLGHD 5/16-18 Gr. 5 | 73 | 169182 | Strap Torque Rh Hydro |
| 16 | 73800500 | Nut Lock Hex W/Ins 5/16-18 Unc P | 74 | 137057 | Spacer, Axle |
| 19 | 73800600 | Nut Lock Hex W/Wsh 3/8-16 Unc | 75 | 121749X | Washer 25/32 x 1-1/4 x 16 Gauge |
| 21 | 140845 | Knob, Round 1/2-13 | 76 | 12000001 | E-Ring |
| 22 | 169498 | Rod, Brake Hydro | 77 | 123583X | Key, Square |
| 24 | 73350600 | Nut | 78 | 121748X | Washer 25/32 x 1-5/8 x 16 Gauge |
| 25 | 106888X | Spring, Brake Rod | 81 | 165596 | Shaft Asm. Cross Hydro |
| 26 | 19131316 | Washer | 82 | 123782X | Spring Torsion T/A |
| 27 | 76020412 | Pin Cotter 1/8 x 3/4 CAD. | 83 | 19171216 | Washer 17/32 x 3/4 x 16 Ga. |
| 28 | 175765 | Rod, Parking Brake | 84 | 169594 | Link Transaxle |
| 29 | 71673 | Cap, Parking Brake | 89 | 169373X428 | Console, Hydro |
| 30 | 169592 | Bracket, Transaxle | 95 | 170201 | Control Asm Bypass Hydro |
| 32 | 74760512 | Bolt Hex Hd 5/16-18 Unc x 3/4 | 96 | 4497H | Retainer Spring 1" Zinc/Cad |
| 34 | 175578 | Shaft, Foot Pedal | 116 | 72140608 | Bolt Rdhd Sq Neck 3/8-16 x 1 |
| 35 | 120183X | Bearing, Nylon | 120 | 73900600 | Nut Lock Flg 3/8-16 |
| 36 | 19211616 | Washer | 150 | 175456 | Spacer Retainer |
| 37 | 1572H | Pin, Roll | 151 | 19133210 | Washer 13/32 x 2 x 10 Ga. |
| 38 | 179114 | Pulley, Flat Composite | 156 | 166002 | Washer Srrted 5/16 ID x 1.125 |
| 39 | 74760648 | Bolt Fin Hex 3/8-16 x 3 | 158 | 165589 | Bracket Shift Mount |
| 41 | 175556 | Keeper, Belt Idler | 159 | 165494 | Hub Tapered Flange Shift Lt |
| 47 | 127783 | Pulley, Idler, V-Groove | 161 | 72140406 | Bolt Rdhd Sqnk 1/4-20 x 3/4 Gr 5 |
| 48 | 154407 | Bellcrank Clutch Grnd Drv STL | 162 | 73680400 | Nut Crownlock 1/4-20 Unc |
| 49 | 123205X | Retainer, Belt | 163 | 74780416 | Bolt Hex Fin 1/4-20 Unc x 1 Gr 5 |
| 50 | 74760624 | Bolt | 164 | 19091010 | Washer 5/8 x .281 x 10 Ga |
| 51 | 73680600 | Nut Crownlock 3/8-16 UNC | 165 | 165623 | Bracket Pivot Lever |
| 52 | 73680500 | Nut Crownlock 5/16-18 UNC | 166 | 166880 | Screw 5/16-18 x 5/8 |
| 53 | 105710X | Link, Clutch | 168 | 165492 | Bolt Shoulder 5/16-18 x .561 |
| 55 | 105709X | Spring, Return, Clutch | 169 | 165580 | Plate Fastening Lt |
| 56 | 17060620 | Screw 3/8-16 x 1-1/4 | 197 | 169613 | Nyliner Snap-In 5/8" ID |
| 57 | 140294 | V-Belt, Ground Drive | 198 | 169593 | Washer Nyl 7/8 ID x .105 |
| 59 | 169691 | Keeper, Center Span | 199 | 169612 | Bolt Shoulder 5/16-18 Unc |
| 61 | 17120614 | Screw 3/8-16 x .875 | 200 | 72140508 | Bolt Rdhd Sqnk 5/16-18 Unc x 1 |
| 62 | 8883R | Cover, Pedal | 202 | 72110614 | Bolt RDHD 3/8-16 x 1-3/4 Gr 5 |
| 63 | 175410 | Pulley, Engine | 212 | 145212 | Nut Hex Flg Lock |
| 64 | 71170764 | Bolt, Hex | 250 | 17060612 | Screw Thdrol. 3/8-16 x .75 |
| 65 | 10040700 | Washer | | | |

NOTE: All component dimensions given in U.S. inches
1 inch = 25.4 mm

REPAIR PARTS

TRACTOR - - MODEL NUMBER PR17H42STD

STEERING ASSEMBLY



TRACTOR - - MODEL NUMBER PR17H42STD

STEERING ASSEMBLY

| KEY NO. | PART NO. | DESCRIPTION |
|---------|------------|----------------------------------|
| 1 | 159944X428 | Wheel Steering |
| 2 | 172393 | Axle Asm Cast Iron LT |
| 3 | 169840 | Spindle Asm LH |
| 4 | 169839 | Spindle Asm RH |
| 5 | 6266H | Bearing Race Thrust Harden |
| 6 | 121748X | Washer 25/32 X 1-5/8 X 16 Ga |
| 8 | 12000029 | Ring Klip #t5304-75 |
| 10 | 175121 | Link Drag |
| 11 | 10040600 | Washer Lock Hvy Hlcl Spr 3/8 |
| 13 | 136518 | Spacer Brg. Axle Front |
| 15 | 145212 | Nut Hex Flange Lock |
| 17 | 177876 | Shaft Asm. Steering |
| 29 | 17060612 | Screw 3/8-16x.75 |
| 32 | 171888 | Rod Tie |
| 33 | 19111216 | Washer 11/32 x 3/4 x 16 Ga. |
| 34 | 10040500 | Washer Lock Hvy Hlcl Spr 5/16 |
| 35 | 73540500 | Crownlock Nut 5/16-24 |
| 36 | 155099 | Bushing Strg |
| 37 | 152927 | Screw |
| 38 | 159946X428 | Insert Cap Strg Wh Au |
| 39 | 19132411 | Washer |
| 40 | 7810H | Lock nut |
| 41 | 159945 | Adaptor Wheel Strg |
| 42 | 145054X428 | Boot Steering Dash |
| 43 | 121749X | Washer 25/32 X 1 1/4 X 16 Ga |
| 44 | 153720 | Extension Steering Shaft LR/LT |
| 46 | 121232X | Cap Spindle Fr Top Blk |
| 51 | 73800500 | Nut Lock Hex w/Ins 5/16-18 |
| 54 | 74780520 | Bolt Fin Hex 5/16-18 Unc x 1-1/4 |
| 63 | 74780616 | Bolt Fin Hex 3/8-16unc x 1 Gr. 5 |
| 65 | 160367 | Brace Axle |
| 67 | 72140618 | Bolt Rdhd Sq 3/8-16 Unc x 2-1/4 |
| 68 | 169827 | Axle, Brace |
| 71 | 175146 | Steering Asm. |
| 82 | 169835 | Bracket Susp. Chassis Front |
| 87 | 173966 | Washer Flat .781 x 1-1/2 x .14 |
| 88 | 175118 | Bolt Shoulder 7/16-20 Unc |
| 91 | 175553 | Clip Steering |

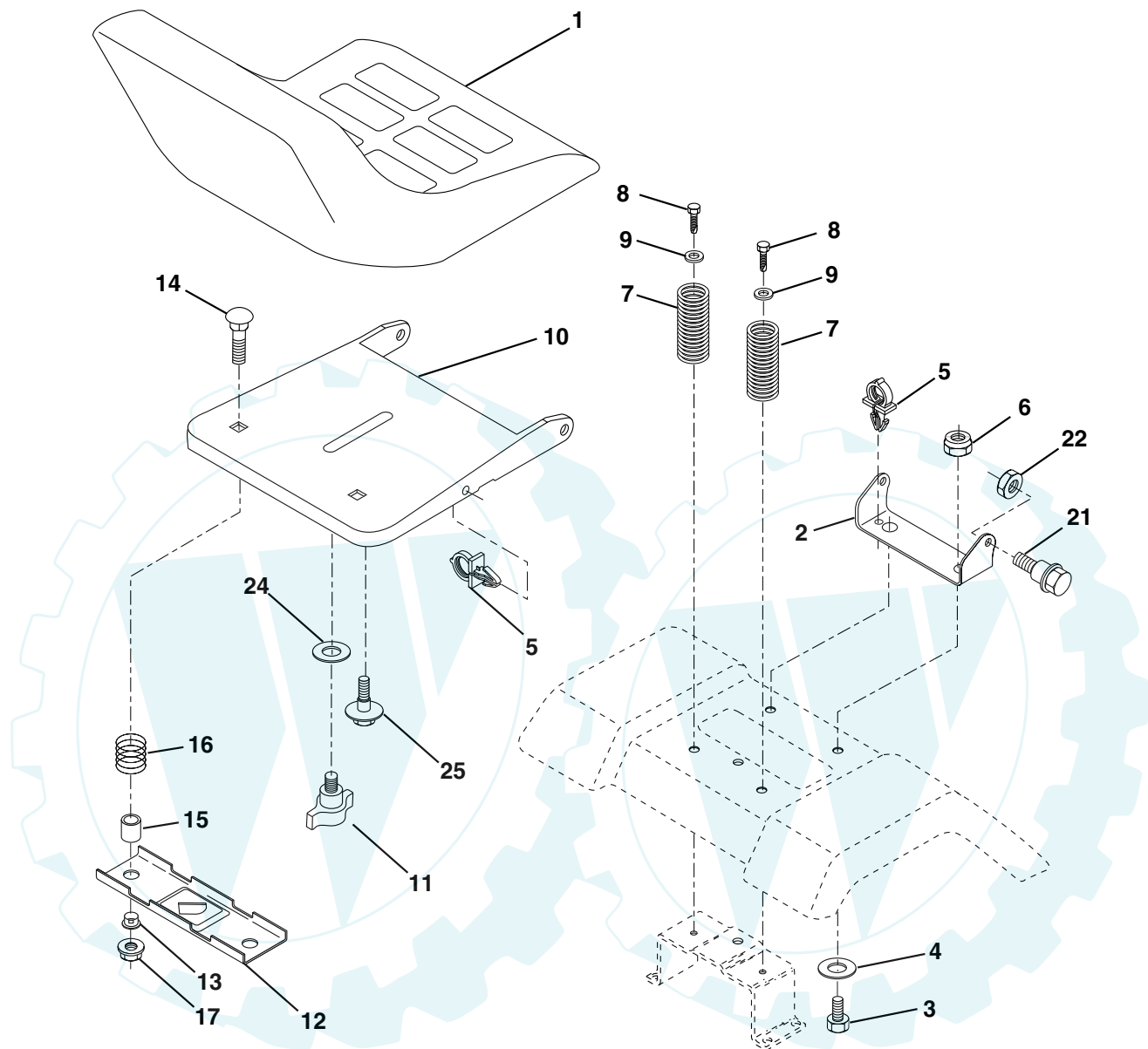
NOTE: All component dimensions given in U.S. inches
1 inch = 25.4 mm

REPAIR PARTS

www.ersatzteil-service.de

TRACTOR - - MODEL NUMBER PR17H42STD

SEAT ASSEMBLY



| KEY NO. | PART NO. | DESCRIPTION |
|---------|----------|--------------------------------|
| 1 | 171683 | Seat |
| 2 | 140551 | Bracket Pivot Seat 8 720 |
| 3 | 71110616 | Bolt Fin Hex 3/8-16 Unc X 1 |
| 4 | 19131610 | Washer 13/32 X 1 X 10 Ga |
| 5 | 145006 | Clip Push-In |
| 6 | 73800600 | Nut Hex w/Ins. 3/8-16 Unc |
| 7 | 124181X | Spring Seat Cprsn 2 250 Blk Zi |
| 8 | 17000616 | Screw 3/8-16 X 1.5 |
| 9 | 19131614 | Washer 13/32 X 1 X 14 Ga. |
| 10 | 174894 | Pan Seat |
| 11 | 166369 | Knob Seat |

| KEY NO. | PART NO. | DESCRIPTION |
|---------|----------|--------------------------------|
| 12 | 121246X | Bracket Mounting Switch |
| 13 | 121248X | Bushing Snap Blk Nyl 50 Id |
| 14 | 72050412 | Bolt Rdhd Sqnk 1/4-20x1-1/2 |
| 15 | 134300 | Spacer Split 28x 88 |
| 16 | 121250X | Spring Cprsn |
| 17 | 123976X | Nut Lock 1/4 Lge Flg Gr 5 Zinc |
| 21 | 171852 | Bolt Shoulder 5/16-18 Unc |
| 22 | 73800500 | Nut Hex Lock W/Ins 5/16-18 |
| 24 | 19171912 | Washer 17/32 X 1-3/16 X 12 Ga. |
| 25 | 127018X | Bolt Shoulder 5/16-18 X 62 |

NOTE: All component dimensions given in U.S. inches
1 inch = 25.4 mm

TRACTOR - - MODEL NUMBER PR17H42STD

ENGINE

| KEY NO. | PART NO. | DESCRIPTION |
|---------|----------|---|
| 1 | 170551 | Control Th/ch Flag |
| 2 | 17720408 | Screw Hex Thd Cut 1/4-20 x 1/2 |
| 3 | ----- | Engine, Briggs Model 311777 (Order Parts From Engine Manufacturer) |
| 4 | 137352 | Muffler |
| 13 | 165291 | Gasket Eng |
| 14 | 148456 | Tube Drain Oil Easy |
| 16 | 11050600 | Washer Lock Ext Tooth 3/8 |
| 23 | 169837 | Shield Brn/Dbr Guard |
| 29 | 137180 | Kit Spark Arrestor (Flat Scrn) |
| 31 | 180645 | Tank Fuel Front |
| 32 | 140527 | Cap Asm Fuel W/sym Vented |
| 33 | 123487X | Clamp Hose Black |
| 37 | 137040 | Line Fuel 20" |
| 38 | 148315 | Plug Drain Oil Easy |
| 40 | 124028X | Bushing Snap Nyl Blk Fuel Line |
| 41 | 139277 | Stem Tank Fuel |
| 44 | 17670412 | Screw Hexwsh Thdrol 1/4-20x3/4 |
| 45 | 17000612 | Screw Hexwsh Thdr 3/8-16 x 3/4 |
| 46 | 19091416 | Washer 9/32 X 7/8 X 16 Ga |
| 62 | 10040500 | Washer Lock Hvy Hlcl Spr 5/16 |
| 72 | 71070512 | Screw Hex Hd Cap 5/16-18 x 3/4 |
| 78 | 17060620 | Screw 3/8-16x1-1/4 |
| 81 | 73510400 | Nut Keps Hex 1/4-20 UNC |
| 112 | 3645J | Bushing |

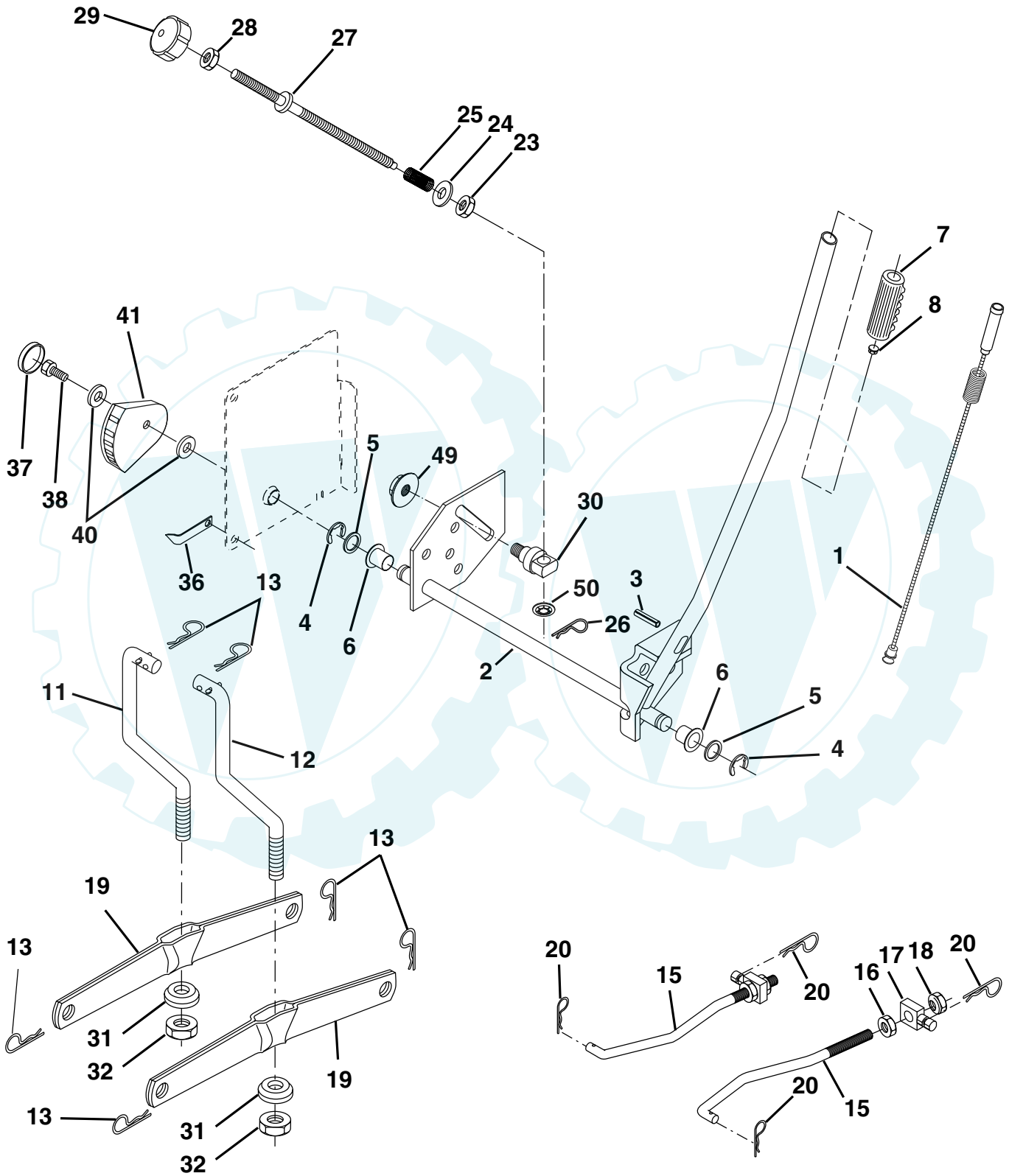
NOTE: All component dimensions given in U. S. inches 1 inch = 25.4 mm

REPAIR PARTS

www.ersatzteil-service.de

TRACTOR - - MODEL NUMBER PR17H42STD

MOWER LIFT



TRACTOR - - MODEL NUMBER PR17H42STD

MOWER LIFT

| KEY NO. | PART NO. | DESCRIPTION |
|---------|----------|----------------------------------|
| 1 | 159460 | Wire Asm Inner/Sprg W/plunger LT |
| 2 | 159471 | Shaft Asm Lift RH w/Inf |
| 3 | 105767X | Pin Groove 1 500 Zinc |
| 4 | 12000002 | E Ring #5133-62 |
| 5 | 19211621 | Washer 21/32 X 1 X 21 Ga |
| 6 | 120183X | Bearing Nylon Blk 629 Id |
| 7 | 125631X | Grip Handle |
| 8 | 170770 | Button Plunger Yellow |
| 11 | 139865 | Link Lift LH Fixed Length |
| 12 | 139866 | Link Lift RH Fixed Length |
| 13 | 4939M | Retainer Spring |
| 15 | 173288 | Link Front |
| 16 | 73350800 | Nut Jam Hex 1/2-13 Unc |
| 17 | 173689 | Trunnion Blk Zinc |
| 18 | 73800800 | Nut Lock w/Wsh 1/2-13 Unc |
| 19 | 139868 | Arm Suspension Rear |
| 20 | 163552 | Retainer Spring |
| 23 | 110807X | Nut Special |
| 24 | 19131016 | Washer 13/32 X 5/8 X 16 Ga |
| 25 | 2876H | Spring 2-1/8" |
| 26 | 169484 | Retainer Clip |
| 27 | 126971X | Rod Adj Lift Zinc 7.49 Wrk Lg |
| 28 | 73350600 | Nut Hex Jam 3/8-16 Unc |
| 29 | 138057 | Knob Inf 3/8-16 Unc Blk W/sym |
| 30 | 150233 | Trunnion Infin Height |
| 31 | 169865 | Bearing Pvt Lift |
| 32 | 73540600 | Nut Crownlock 3/8 - 24 |
| 36 | 155097 | Pointer Height Indicator |
| 37 | 123935X | Plug Hole Blk 1.485/1.515 Dia. |
| 38 | 17060516 | Screw Thdrol 5/16-18 x 1 |
| 40 | 19112410 | Washer 11/32 x 1-1/2 10 Ga. |
| 41 | 155098 | Indicator Height STLT |
| 49 | 145212 | Nut Hex Flange Lock |
| 50 | 110452X | Nut PUSh Phos & Oil |

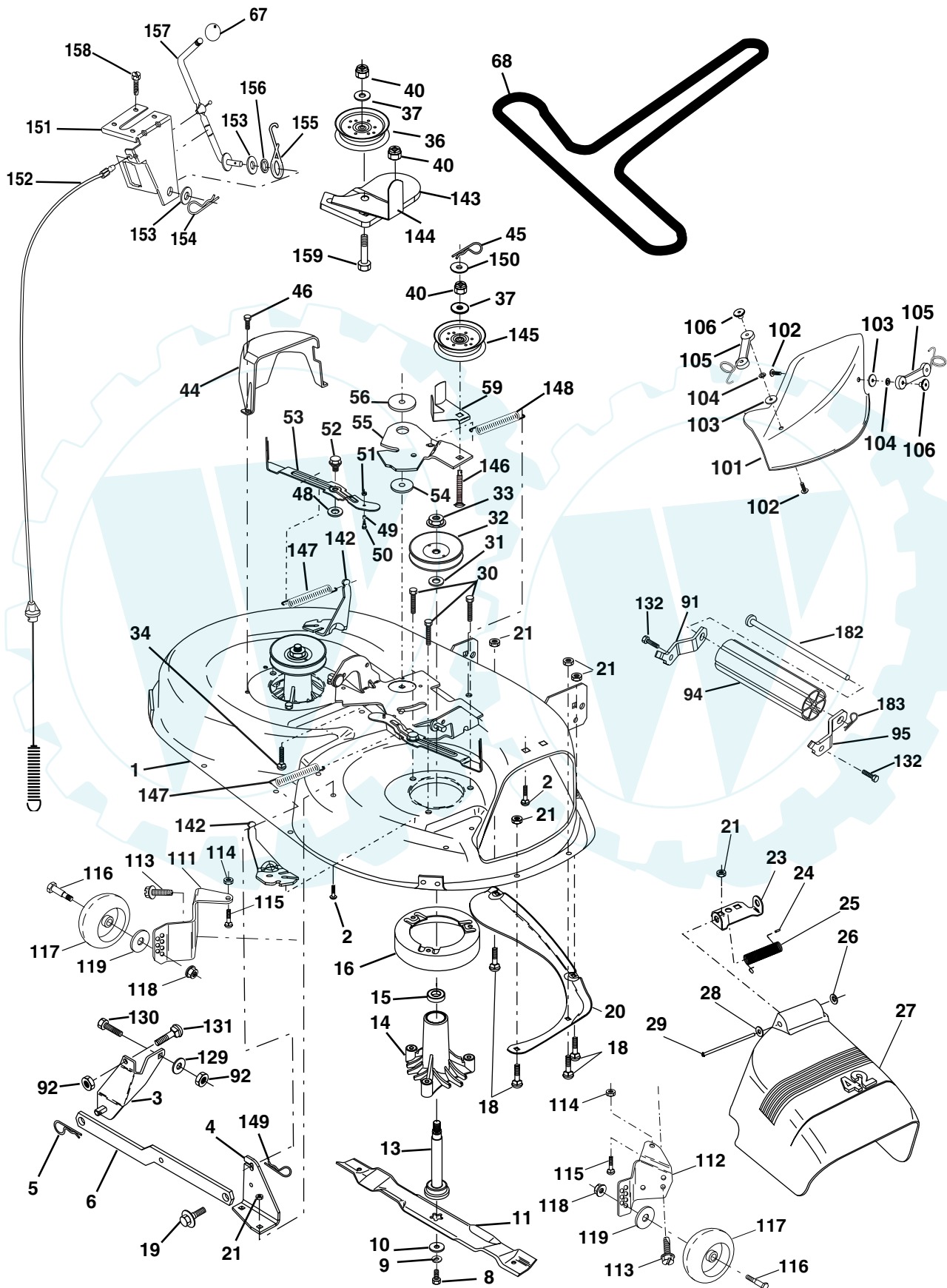
NOTE: All component dimensions given in U.S. inches
1 inch = 25.4 mm

REPAIR PARTS

www.ersatzteil-service.de

TRACTOR - - MODEL NUMBER PR17H42STD

MOWER DECK



TRACTOR - - MODEL NUMBER PR17H42STD

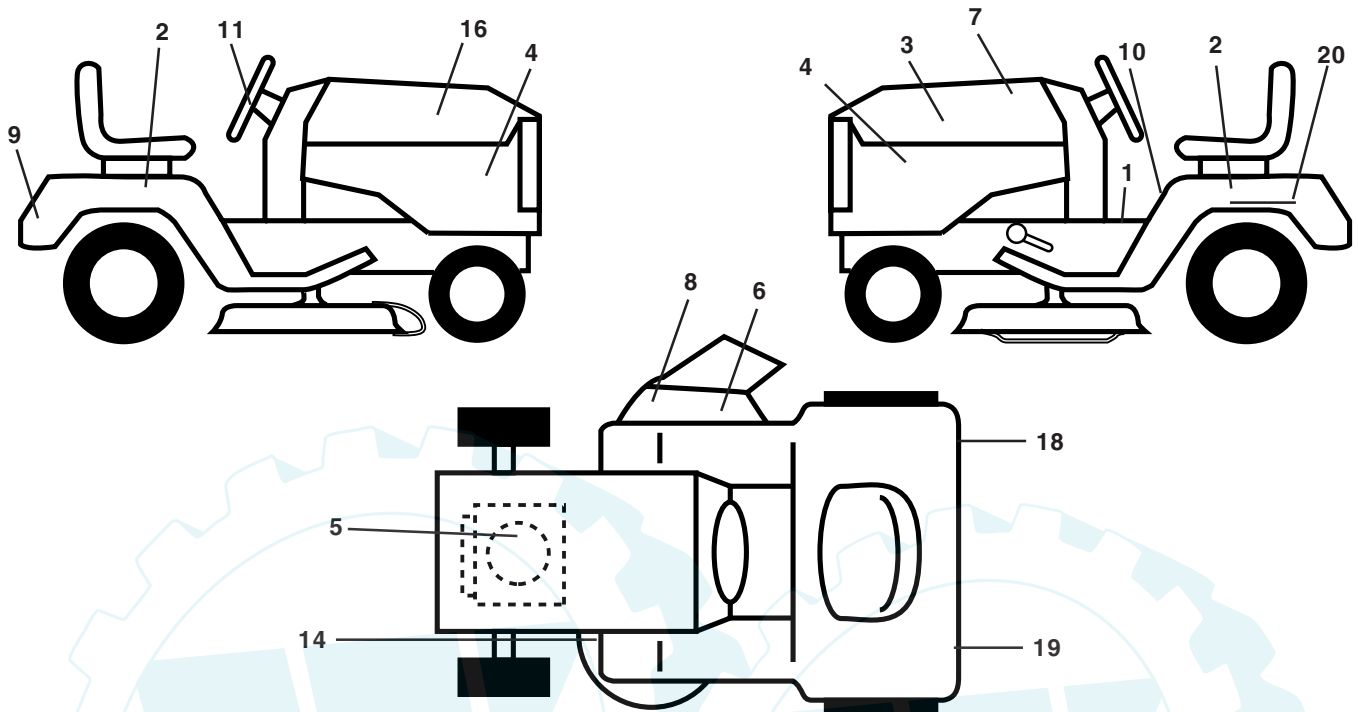
MOWER DECK

| KEY NO. | PART NO. | DESCRIPTION | KEY NO. | PART NO. | DESCRIPTION |
|---------|------------|----------------------------------|---------|------------|--|
| 1 | 165892X421 | Mower Deck Assembly, 42" | 94 | 132264 | Roller, Nose |
| 2 | 72140506 | Bolt | 95 | 180533 | Bracket Asm. Noseroller RH |
| 3 | 138017 | Bracket Asm Fr. Sway Bar 3/42 | 101 | 136420 | Mulcher Cover |
| 4 | 165460 | Bracket Asm Deck 42" Sway Bar | 102 | 71081010 | Screw |
| 5 | 4939M | Retainer Spring | 103 | 19061216 | Washer, Flat |
| 6 | 178024 | Bar Sway Deck | 104 | 10071000 | Washer, Lock |
| 8 | 850857 | Bolt 3/8-24 x 25 Grade 8 patched | 105 | 160793 | Latch Assembly |
| 9 | 10030600 | Washer, Lock | 106 | 2029J | Nut, Weld |
| 10 | 140296 | Washer, Hardened | 111 | 179292X421 | Bracket, Gauge, Wheel LH |
| 11 | 134149 | Blade, Mulching 42" | 112 | 179293X421 | Bracket, Gauge, Wheel RH |
| | 138498 | Blade Mower 42" Hi-Lift | 113 | 17060510 | Screw 3/8-16 x .625 |
| 13 | 137645 | Shaft Assembly, Mandrel, Vented | 114 | 73510500 | Nut, Keps 5/16 - 18 UNC |
| 14 | 128774 | Housing, Mandrel, Vented | 115 | 72110505 | Bolt, Carriage 5/16-18 x 5/8 |
| 15 | 110485X | Bearing, Ball, Mandrel | 116 | 4898H | Bolt, Shoulder |
| 16 | 174493 | Stripper, Mandrel Deck | 117 | 165746 | Wheel, Gauge |
| 18 | 72140505 | Bolt, Carriage 5/16-18 x 5/8 | 118 | 73930600 | Nut Centerlock 3/8-16 |
| 19 | 132827 | Bolt, Shoulder | 119 | 19121414 | Washer 3/8 x 7/8 x 14 Ga. |
| 20 | 159770 | Baffle, Vortex | 132 | 17060612 | Screw 3/8-16 x .75 |
| 21 | 73680500 | Nut | 142 | 165890 | Arm Spring Brake Mower |
| 23 | 177563 | Bracket, Deflector Mower 42" | 143 | 157109 | Bracket Arm Idler 42" |
| 24 | 105304X | Cap, Sleeve 80 x 112 Blk Mower | 144 | 173441 | Keeper Belt 42" Clutch Cable |
| 25 | 123713X | Spring, Torsion, Deflector 2 52 | 145 | 173437 | Pulley Idler Flat |
| 26 | 110452X | Nut, Push Phos & Oil | 146 | 173443 | Bolt Carriage Idler |
| 27 | 130968X428 | Shield, Deflector 42" Blk | 147 | 131335 | Spring Extension |
| 28 | 19111016 | Washer 11/32 x 5/8 x 16 Gauge | 148 | 169022 | Spring Return Idler |
| 29 | 131491 | Rod, Hinge 42" 6 75 W/G | 149 | 165898 | Retainer Spring Yellow |
| 30 | 173984 | Screw Thdrol Washer Head | 150 | 19091216 | Washer 9/32 x 3/4 x 16 Ga. |
| 31 | 129963 | Washer, Spacer Mower Vented | 151 | 169670 | Bracket Clutch Cable |
| 32 | 173436 | Pulley, Mandrel | 152 | 169676 | Clutch Cable 42" |
| 33 | 178342 | Nut, Toplock 9/16 Flange | 153 | 169674 | Washer Flat 3/8" Type B |
| 34 | 72110614 | Bolt | 154 | 169675 | Spring Retainer |
| 36 | 173438 | Pulley, Idler, Flat | 155 | 169671 | Spring Retention LVR CLTCH CAB |
| 37 | 19131316 | Washer 13/32 x 13/16 x 16 Gauge | 156 | 169672 | Spacer Clutch Cable |
| 40 | 73680600 | Nut | 157 | 169669 | Rod Clutch Cable 3/8" |
| 44 | 140088 | Guard, Mandrel, LH | 158 | 17720408 | Screw Hex Thd Cut 1/4-20 x 5/8 |
| 45 | 4497H | Retainer | 159 | 72140614 | Bolt Rdhd Sqn 3/8-16 UNC x 1-3/4 |
| 46 | 137729 | Screw, Thdrol 1/4-20 x 5/8 T | 182 | 179126 | Rod Roller Nose |
| 48 | 133944 | Washer, Hardened | 183 | 163552 | Retainer Spring |
| 49 | 174284 | Roller Assembly, Cam Follower | -- | 130794 | Mandrel Assembly (Includes Housing, Shaft and Shaft Hardware Only-Pulley Not Included) |
| 50 | 131340 | Bolt, Shoulder #10-24 Grade 5 | -- | 172559 | Replacement Mower, Complete |
| 51 | 69180 | Locknut | | | |
| 52 | 139888 | Bolt, Shoulder 5/16-18 UNC | | | |
| 53 | 131845 | Arm Assembly, Pad, Brake | | | |
| 54 | 133943 | Washer, Hardened | | | |
| 55 | 155046 | Arm, Idler | | | |
| 56 | 122052X | Spacer, Retainer | | | |
| 59 | 173442 | Guard TUV Idler | | | |
| 67 | 171598 | Knob | | | |
| 68 | 144959 | V-Belt, 42" Mower | | | |
| 91 | 180532 | Bracket Asm. Noseroller LH | | | |

NOTE: All component dimensions given in U.S. inches
1 inch = 25.4 mm

TRACTOR - - MODEL NUMBER PR17H42STD

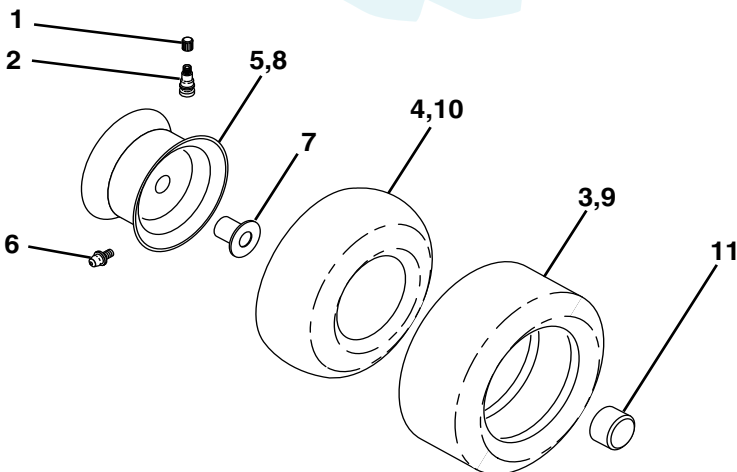
DECALS



| KEY NO. | PART NO. | DESCRIPTION |
|---------|----------|------------------------------|
| 1 | 157032 | Decal Oper |
| 2 | 176305 | Decal Fender Side |
| 3 | 176308 | Decal Hood LH |
| 4 | 178206 | Decal Side Panel Logo |
| 5 | 176679 | Decal HP Engine |
| 6 | 179128 | Decal Deck "B" 42" |
| 7 | 180891 | Decal Repl. Parts |
| 8 | 170563 | Decal Warning Multi-Language |
| 9 | 172740 | Decal Fender Logo |

| KEY NO. | PART NO. | DESCRIPTION |
|---------|------------|--------------------------------|
| 10 | 157140 | Decal Fender Danger E/F |
| 11 | 172743 | Decal Ins Strg Whl |
| 14 | 160396 | Decal V-Belt Schematic |
| 16 | 176307 | Decal Hood Rh |
| 18 | 173587 | Decal Fender Reflector RH |
| 19 | 173589 | Decal Fender Reflector LH |
| 20 | 145005 | Decal Bat Dan/Psn |
| -- | 179768X428 | Pad Footrest LH |
| -- | 179769X428 | Pad Footrest RH |
| -- | 138311 | Decal Handle Lft Height Adjust |
| -- | 169210 | Decal By Pass |
| -- | 182565 | Manual Owner's (English) |
| -- | 182566 | Manual Owner's (French) |

WHEELS AND TIRES



| KEY NO. | PART NO. | DESCRIPTION |
|---------|------------|-----------------------------------|
| 1 | 59192 | Cap Valve Tire |
| 2 | 65139 | Stem Valve |
| 3 | 170455 | Tire F Ts 15 X 6 0 - 6 Service |
| 4 | 59904 | Tube Front (Service Item Only) |
| 5 | 106732X421 | Rim Asm 6"front Service |
| 6 | 278H | Fitting Grease (Front Wheel Only) |
| 7 | 9040H | Bearing Flange (Front Wheel Only) |
| 8 | 106108X421 | Rim Asm 8"rear Service |
| 9 | 170456 | Tire R Ts 20x10-8 C Service |
| 10 | 7152J | Tube Rear (Service Item Only) |
| 11 | 104757X421 | Cap Axle 1 50 X 1 00 |
| -- | 144334 | Sealant, Tire (10 oz. Tube) |

NOTE: All component dimensions given in U.S. inches
1 inch = 25.4 mm