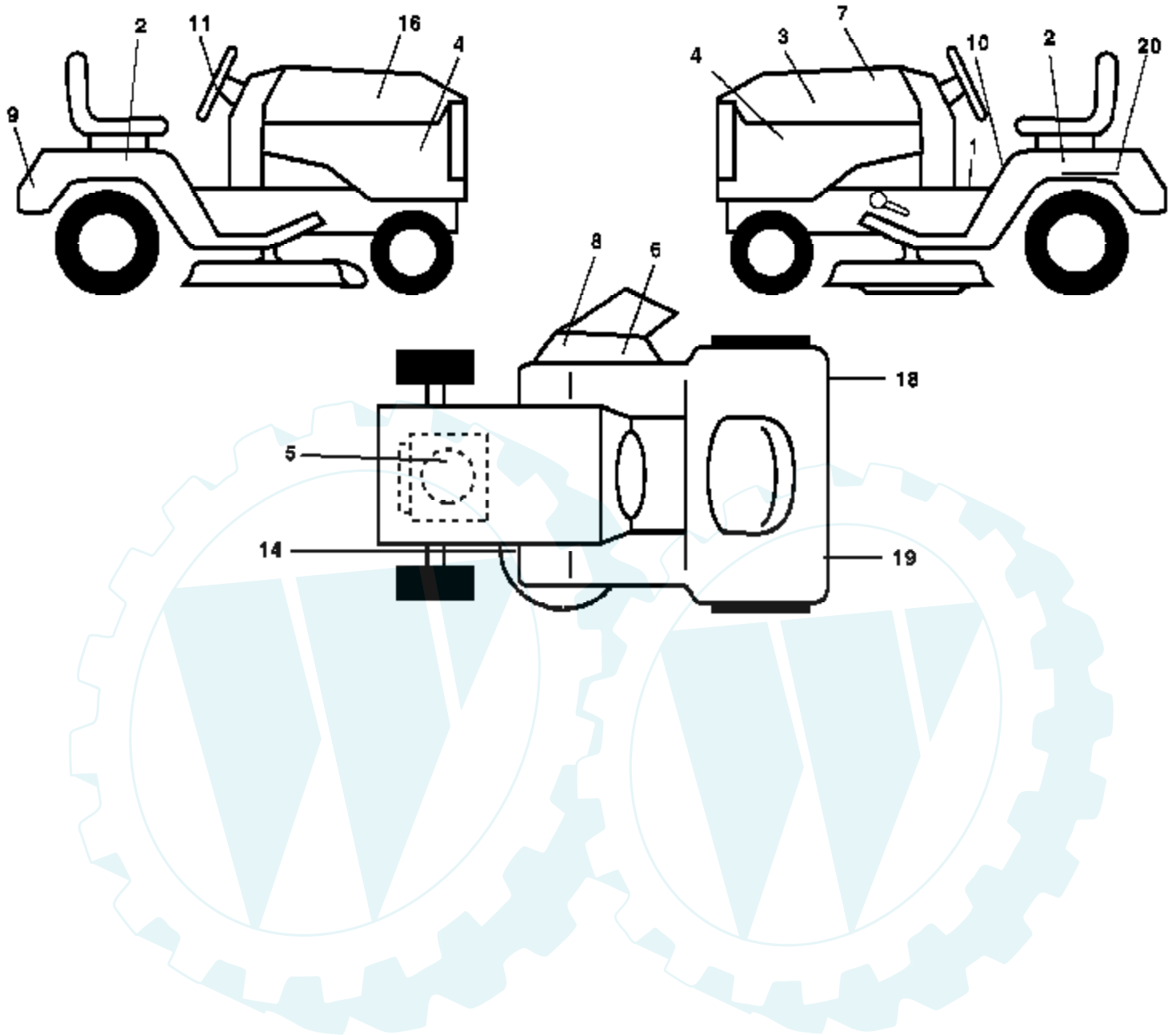
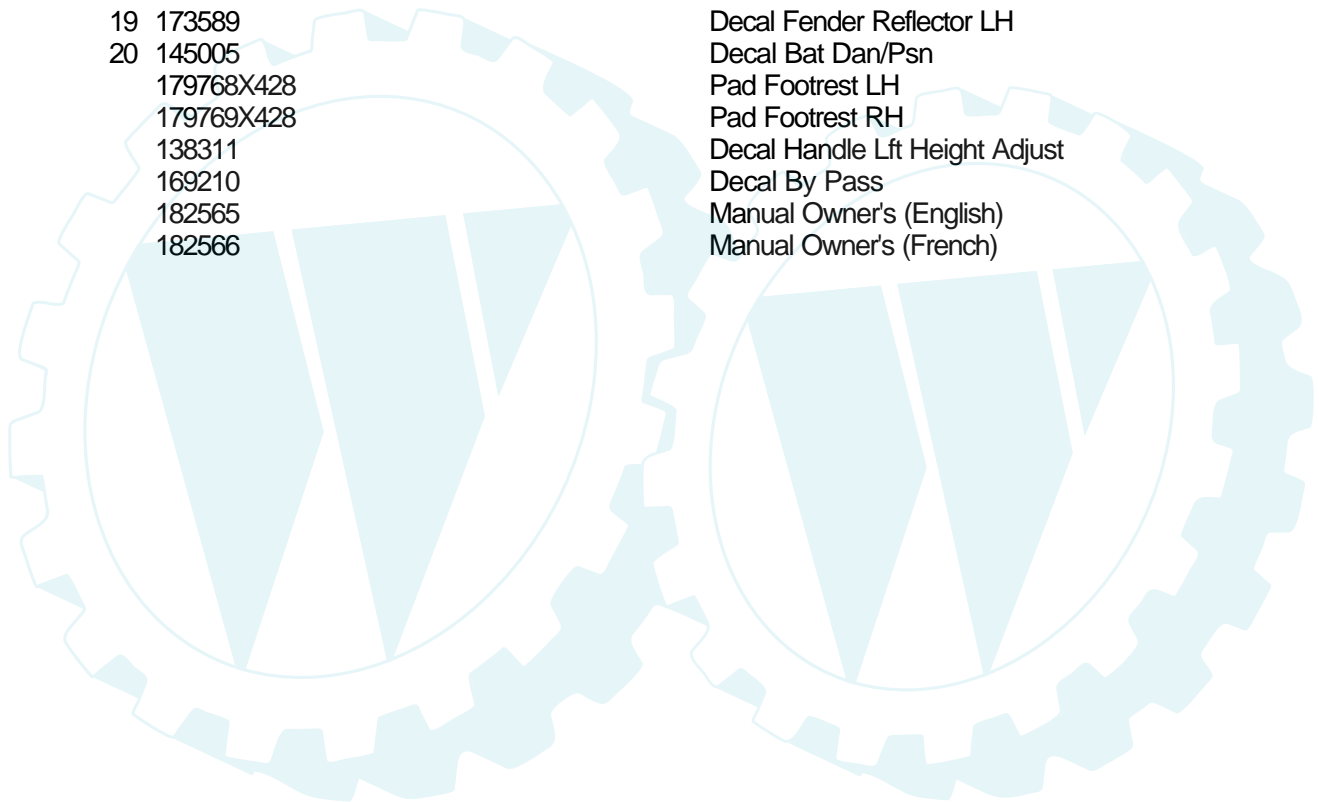
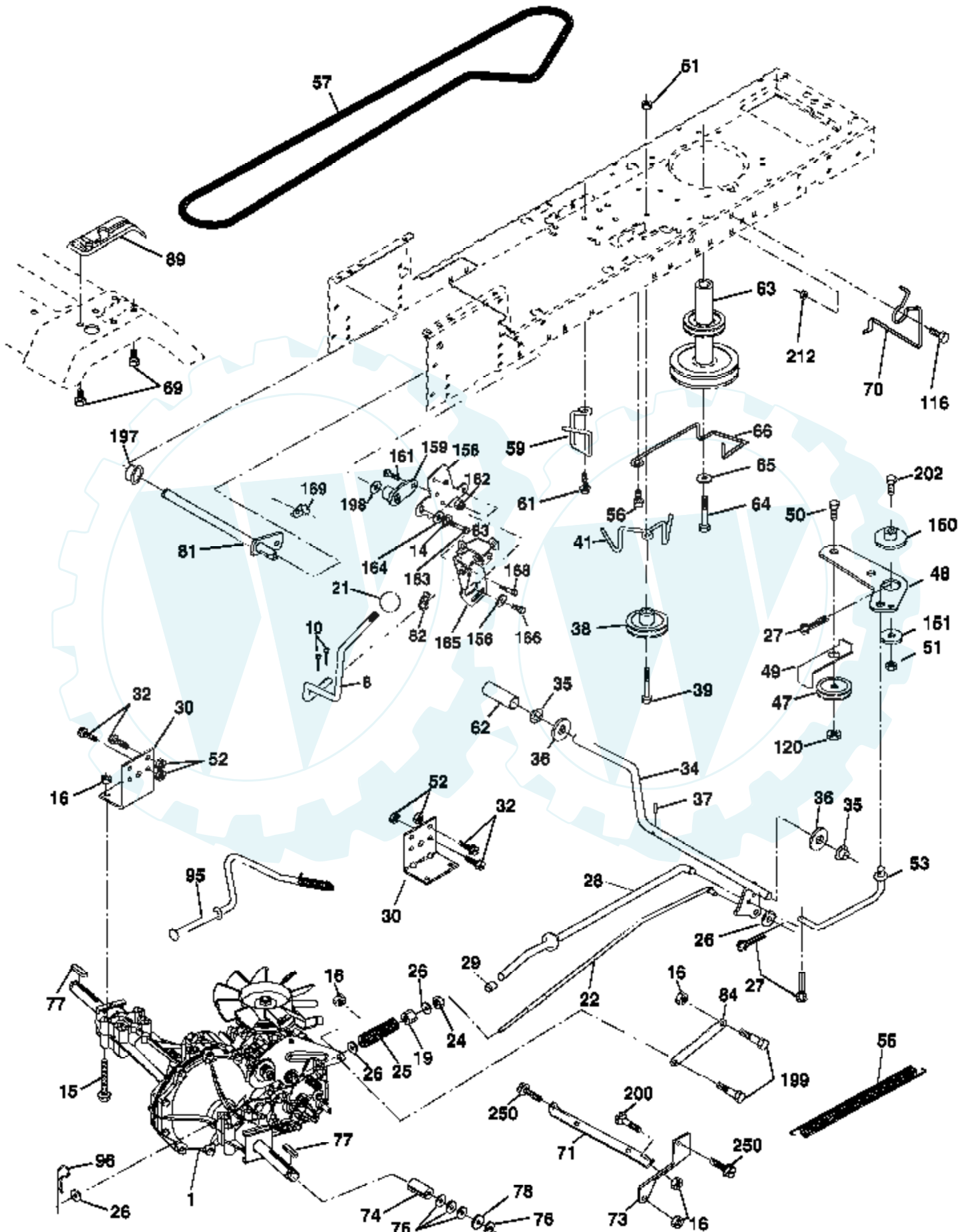


Ref #	Part Number	Qty	Description
1	174619		Chassis
2	176554		Drawbar
3	17060612		Screw 3/8-16x.75
5	155272		Bumper Hood/Dash
9	168337X012		Dash P/L
10	72140608		Bolt Carriage 3/8-16 x 1
11	174996		Panel Dash Lh
12	145660		Clip Tinnerman
13	172106		Panel Dash Rh
14	17490608		Screw Thdrol 3/8-16 x 1-1/4
17	159639X428		Hood LT/PL
18	126938X		Bumper Hood
20	180679		Plate Mtg Battery Fuel Tank Fr
23	124028X		Bushing
24	74780616		Bolt Fin Hex 3/8-16 x 1 Gr 5
25	19131312		Washer 13/32 X 13/16 X 12 Ga
26	73800600		Nut Lock Hex W/Ins 3/8-16 Unc
28	179844		Grille LT/PL
29	170472X599		Lens LT/PL
30	169470X428		Fender Footrest STLT Pnt
31	136619		Bracket Support Fender
33	179716X428		Footrest Pnt Lh
34	179717X428		Footrest Pnt Rh
35	72110606		Bolt Rdhd Sht Sqnk 3/8-16 x 3/4
37	17490508		Screw Thdrol 6/16-18 x 1/2 TYT
38	175710		Bracket Asm. Pivot Mower Rear
51	73800400		Nut Lock Hex W/Ins 1/4-20
52	19091416		Washer 9/32 x 7/8 x 16 Ga.
53	144697		Bracjet Grukke Lh
54	161464		Screw Hex Wshd 8-18 x 7/8
55	144696		Bracket Grille Rh
57	74780412		Bolt Hex 1/4-20 x 3/4
58	174930		Duct Air
64	154798		Dash Lower STLT
114	158112		Keeper Belt Rear Lh
115	17060620		Screw 3/8-16 x 1-1/4
142	175702		Plate Reinforcement STLT
145	156524		Rod Pivot Chassis/Hood
159	169473X428		Cupholder
206	170165		Bolt Shoulder 5/16-18
207	17670508		Screw Thdrol 5/16-18 x 1/2
208	17670608		Screw Thdrol 3/8-16 x 1/2
211	145212		Nut Hex Flange Lock
212	156229		Insert Lens Reflect P/L LT
219	17000512		Screw 5/16-18 x 3/4
	5479J		Plug



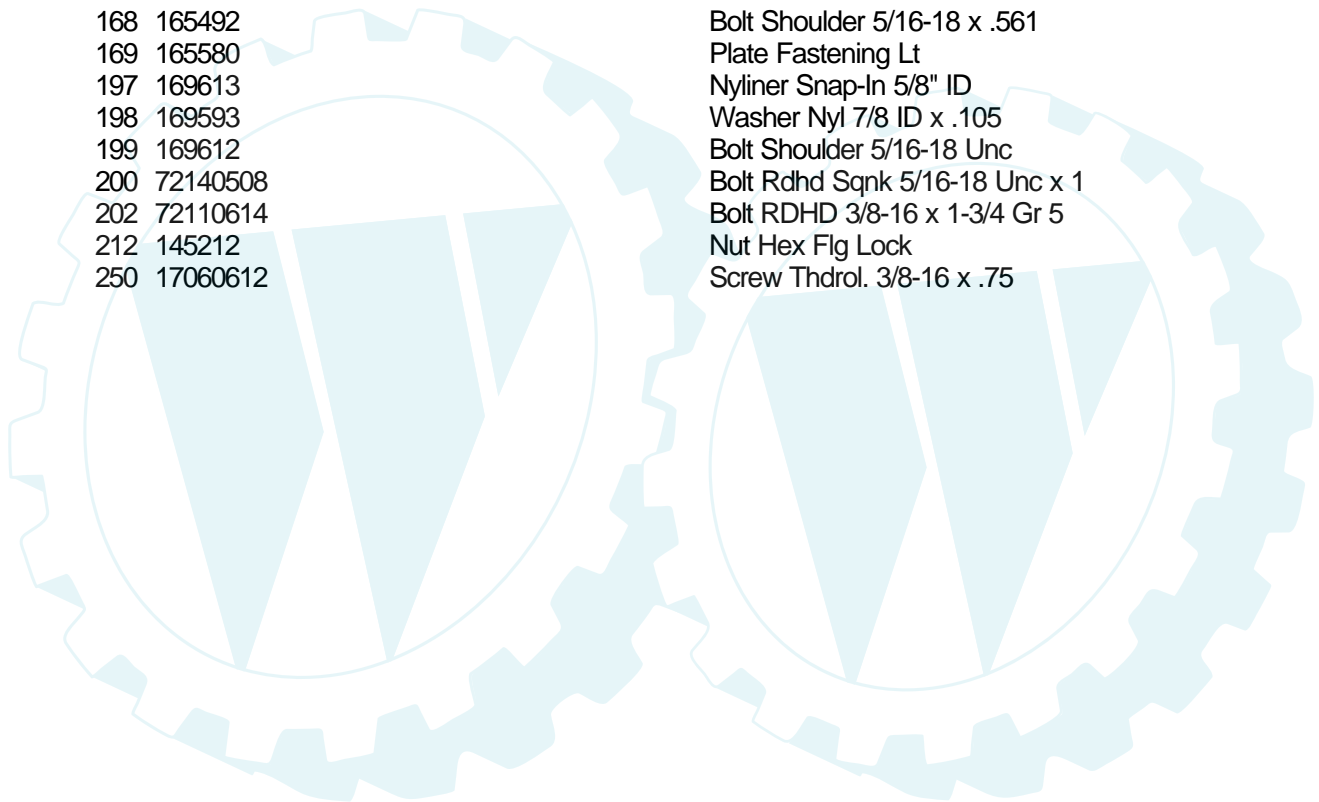
Ref #	Part Number	Qty	Description
1	157032		Decal Oper
2	176305		Decal Fender Side
3	176308		Decal Hood LH
4	178206		Decal Side Panel Logo
5	176679		Decal HP Engine
6	179128		Decal Deck "B" 42"
7	180891		Decal Repl. Parts
8	170563		Decal Warning Multi-Language
9	172740		Decal Fender Logo
10	157140		Decal Fender Danger E/F
11	172743		Decal Ins Strg Whl
14	160396		Decal V-Belt Schematic
16	176307		Decal Hood Rh
18	173587		Decal Fender Reflector RH
19	173589		Decal Fender Reflector LH
20	145005		Decal Bat Dan/Psn
	179768X428		Pad Footrest LH
	179769X428		Pad Footrest RH
	138311		Decal Handle Lft Height Adjust
	169210		Decal By Pass
	182565		Manual Owner's (English)
	182566		Manual Owner's (French)

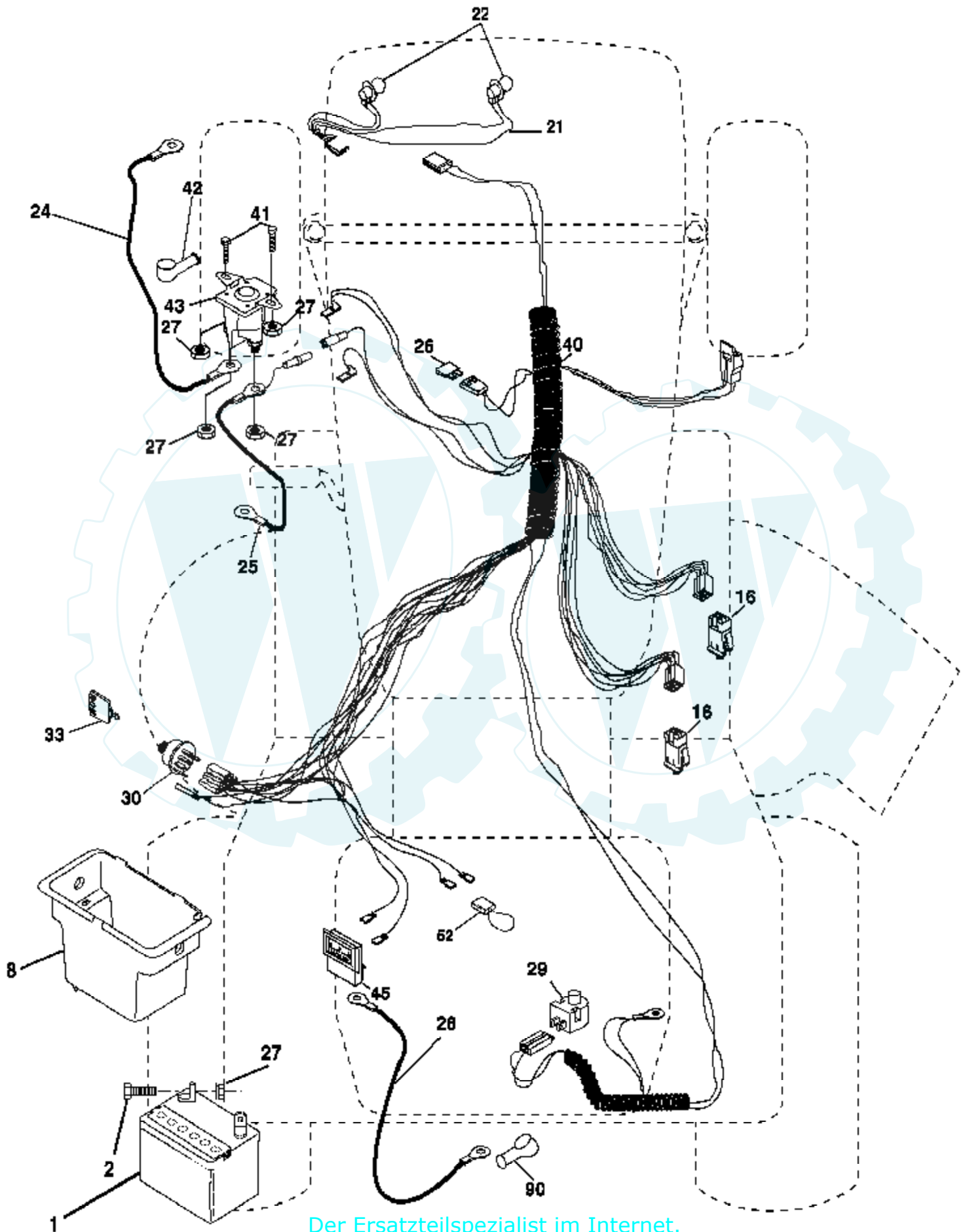




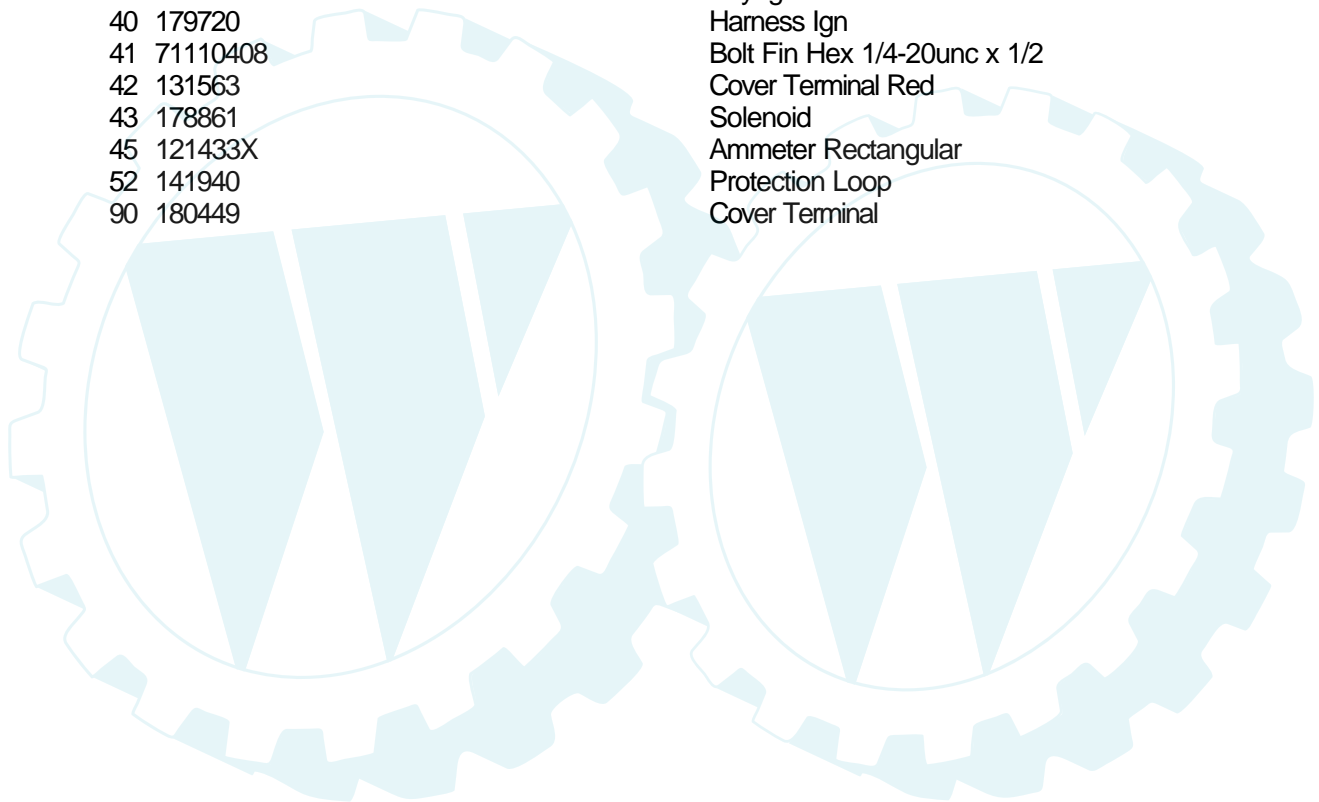
Ref #	Part Number	Qty	Description
	1		Transaxle Hydro Gear 314-0510 (Order Parts From Transaxle Manufacturer)
8	165619		Rod Shift Hydro LT
10	76020416		Pin Cotter 1/8 x 1 CAD
14	10040400		Washer Lock Hvy Helical
15	74490544		Bolt, Hex FLGHD 5/16-18 Gr. 5
16	73800500		Nut Lock Hex W/Ins 5/16-18 Unc P
19	73800600		Nut Lock Hex W/Wsh 3/8-16 Unc
21	140845		Knob, Round 1/2-13
22	169498		Rod, Brake Hydro
24	73350600		Nut
25	106888X		Spring, Brake Rod
26	19131316		Washer
27	76020412		Pin Cotter 1/8 x 3/4 CAD.
28	175765		Rod, Parking Brake
29	71673		Cap, Parking Brake
30	169592		Bracket, Transaxle
32	74760512		Bolt Hex Hd 5/16-18 Unc x 3/4
34	175578		Shaft, Foot Pedal
35	120183X		Bearing, Nylon
36	19211616		Washer
37	1572H		Pin, Roll
38	179114		Pulley, Flat Composite
39	74760648		Bolt Fin Hex 3/8-16 x 3
41	175556		Keeper, Belt Idler
47	127783		Pulley, Idler, V-Groove
48	154407		Bellcrank Clutch Grnd Drv STL
49	123205X		Retainer, Belt
50	74760624		Bolt
51	73680600		Nut Crownlock 3/8-16 UNC
52	73680500		Nut Crownlock 5/16-18 UNC
53	105710X		Link, Clutch
55	105709X		Spring, Return, Clutch
56	17060620		Screw 3/8-16 x 1-1/4
57	140294		V-Belt, Ground Drive
59	169691		Keeper, Center Span
61	17120614		Screw 3/8-16 x .875
62	8883R		Cover, Pedal
63	175410		Pulley, Engine
64	71170764		Bolt, Hex
65	10040700		Washer
66	154778		Keeper Belt Engine
69	142432		Screw
70	134683		Guide Belt
71	169183		Strap Torque Lh Hydro
73	169182		Strap Torque Rh Hydro
74	137057		Spacer, Axle
75	121749X		Washer 25/32 x 1-1/4 x 16 Gauge
76	12000001		E-Ring
77	123583X		Key, Square
78	121748X		Washer 25/32 x 1-5/8 x 16 Gauge
81	165596		Shaft Asm. Cross Hydro
82	123782X		Spring Torsion T/A
83	19171216		Washer 17/32 x 3/4 x 16 Ga.
84	169594		Link Transaxle
89	169373X428		Console, Hydro
95	170201		Control Asm Bypass Hydro

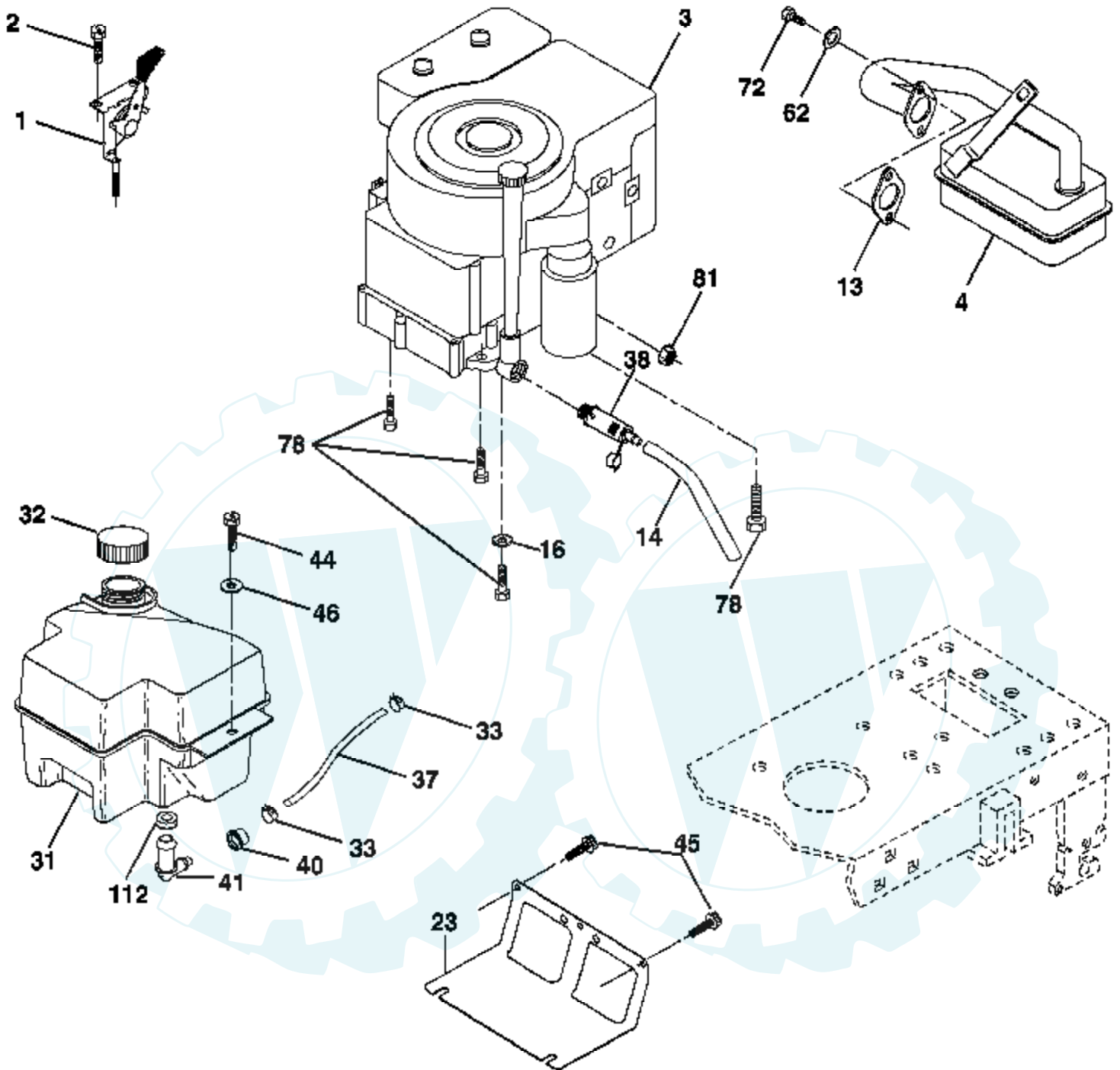
Ref #	Part Number	Qty	Description
96	4497H		Retainer Spring 1" Zinc/Cad
116	72140608		Bolt Rdhd Sq Neck 3/8-16 x 1
120	73900600		Nut Lock Flg 3/8-16
150	175456		Spacer Retainer
151	19133210		Washer 13/32 x 2 x 10 Ga.
156	166002		Washer Srrted 5/16 ID x 1.125
158	165589		Bracket Shift Mount
159	165494		Hub Tapered Flange Shift Lt
161	72140406		Bolt Rdhd Sqnk 1/4-20 x 3/4 Gr 5
162	73680400		Nut Crownlock 1/4-20 Unc
163	74780416		Bolt Hex Fin 1/4-20 Unc x 1 Gr 5
164	19091010		Washer 5/8 x .281 x 10 Ga
165	165623		Bracket Pivot Lever
166	166880		Screw 5/16-18 x 5/8
168	165492		Bolt Shoulder 5/16-18 x .561
169	165580		Plate Fastening Lt
197	169613		Nyliner Snap-In 5/8" ID
198	169593		Washer Nyl 7/8 ID x .105
199	169612		Bolt Shoulder 5/16-18 Unc
200	72140508		Bolt Rdhd Sqnk 5/16-18 Unc x 1
202	72110614		Bolt RDHD 3/8-16 x 1-3/4 Gr 5
212	145212		Nut Hex Flg Lock
250	17060612		Screw Thdrol. 3/8-16 x .75





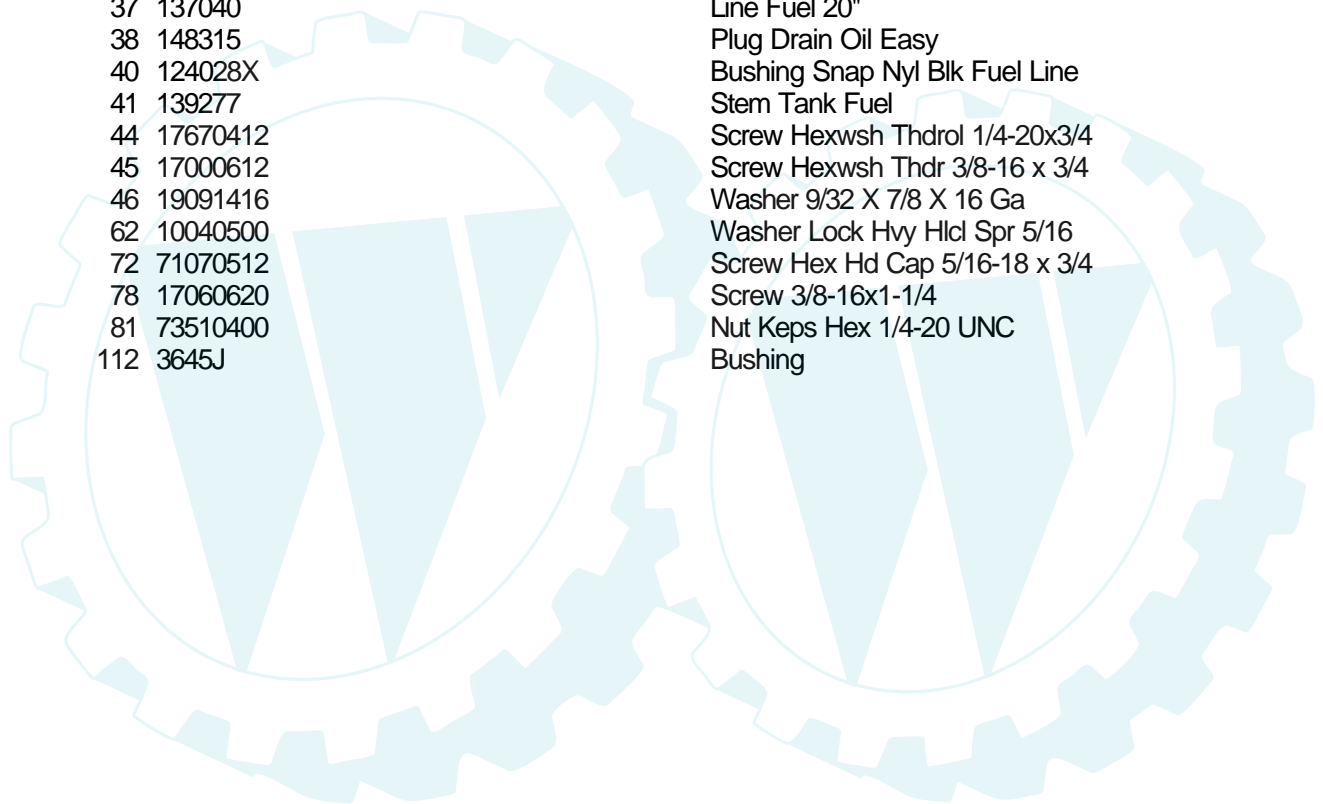
Ref #	Part Number	Qty	Description
1	163465		Battery
2	74760412		Bolt Hex Hd 1/4-20unc X 3/4
8	176689		Battery Box
16	176138		Switch Interlock Push-In
21	175685		Harness Socket Light
22	4152J		Bulb, Light # 1156
24	4799J		Cable Battery
25	146147		Cable Battery 6 Ga Red w/16 wire
26	175158		Fuse
27	73510400		Nut Keps Hex 1/4-20 Unc
28	4207J		Cable Ground 6ga 12 black
29	121305X		Switch Plunger Nc Gray
30	175566		Switch Ign
33	140401		Key Ign Molded Generic
40	179720		Harness Ign
41	71110408		Bolt Fin Hex 1/4-20unc x 1/2
42	131563		Cover Terminal Red
43	178861		Solenoid
45	121433X		Ammeter Rectangular
52	141940		Protection Loop
90	180449		Cover Terminal

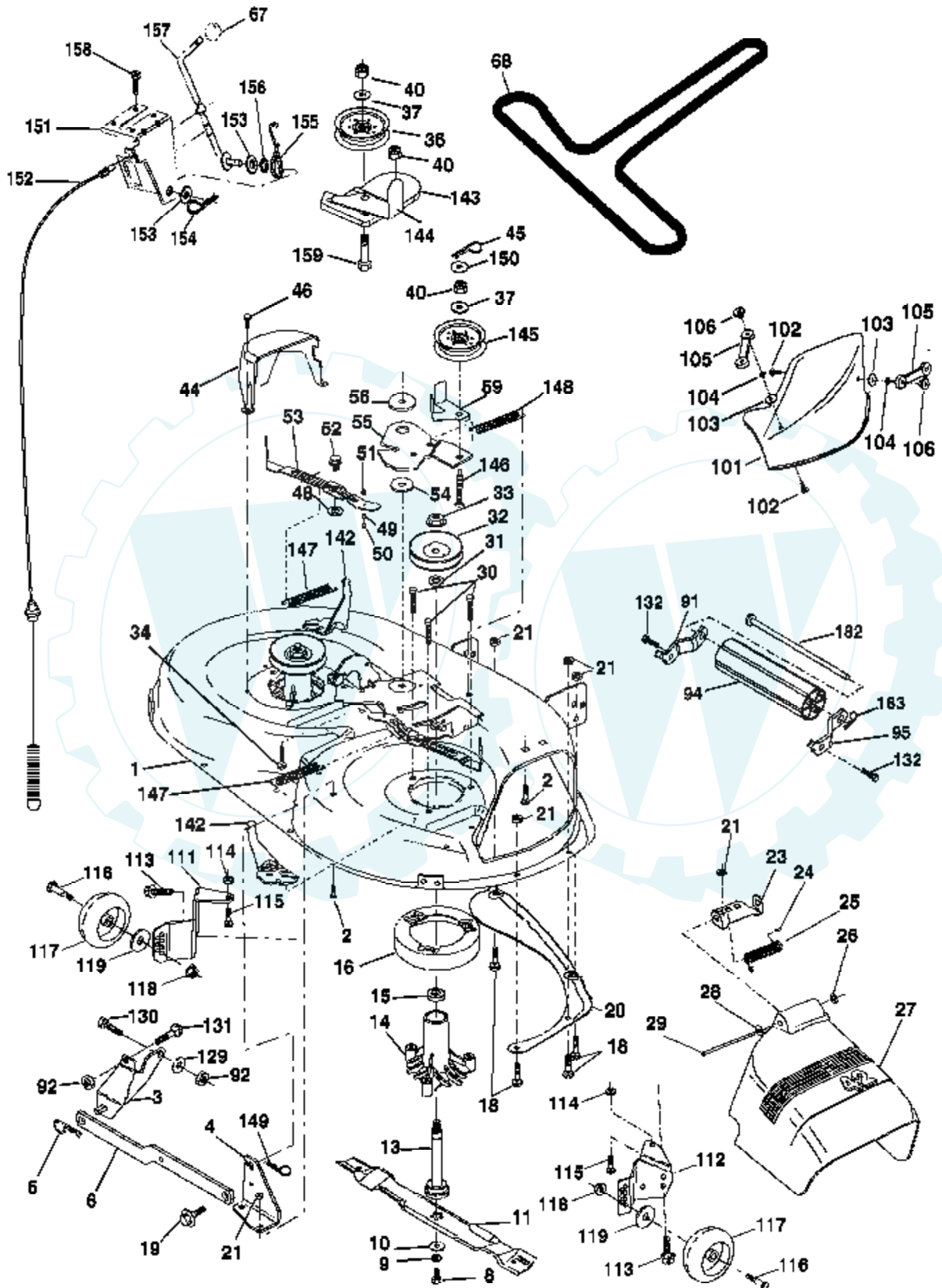




OPTIONAL EQUIPMENT
Spark Arrester

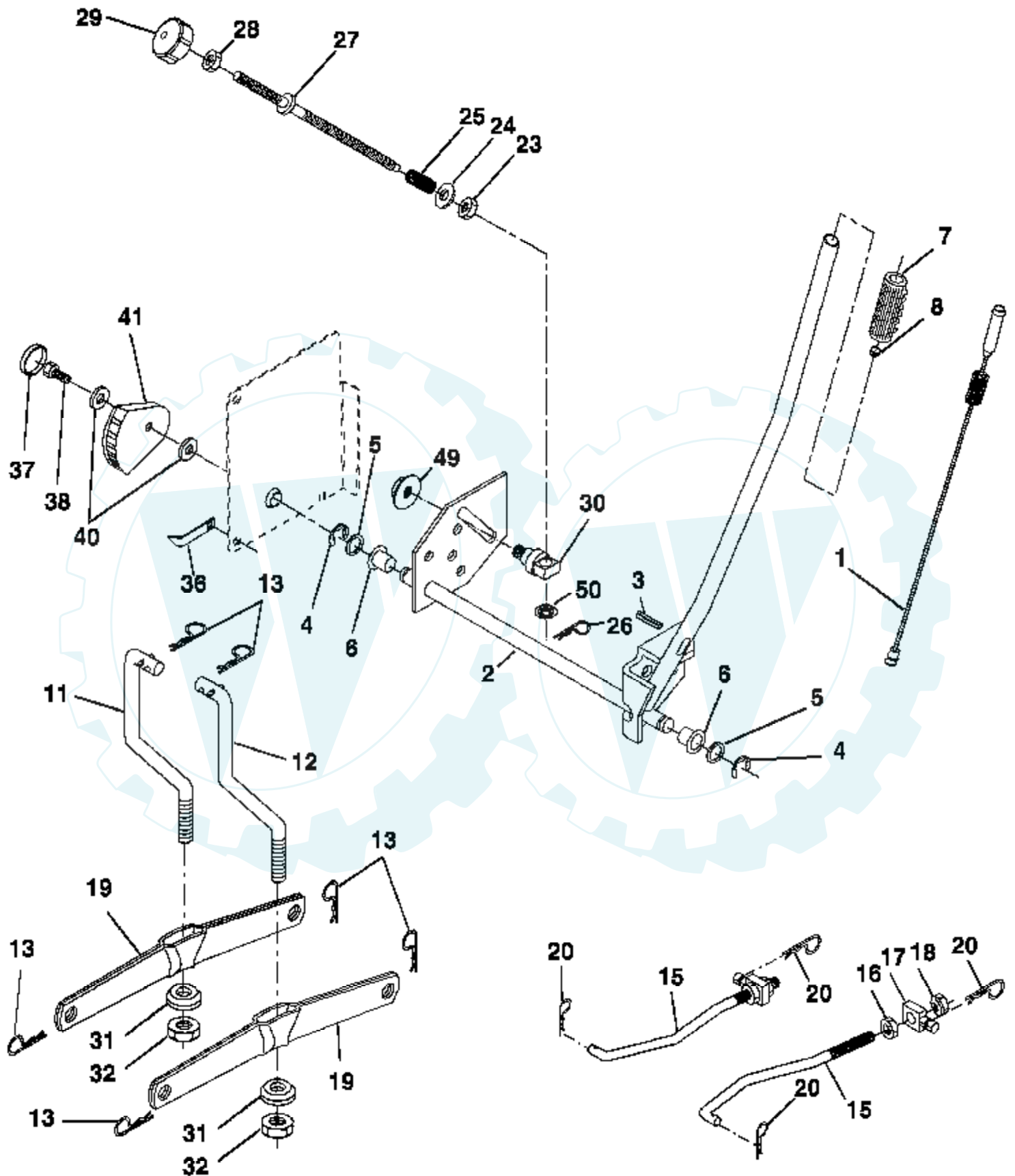
Ref #	Part Number	Qty	Description
1	170551		Control Th/ch Flag
2	17720408		Screw Hex Thd Cut 1/4-20 x 1/2
3			Engine, Briggs Model 311777 (Order Parts From Engine Manufacturer)
4	137352		Muffler
13	165291		Gasket Eng
14	148456		Tube Drain Oil Easy
16	11050600		Washer Lock Ext Tooth 3/8
23	169837		Shield Brn/Dbr Guard
29	137180		Kit Spark Arrestor (Flat Scrn)
31	180645		Tank Fuel Front
32	140527		Cap Asm Fuel W/sym Vented
33	123487X		Clamp Hose Black
37	137040		Line Fuel 20"
38	148315		Plug Drain Oil Easy
40	124028X		Bushing Snap Nyl Blk Fuel Line
41	139277		Stem Tank Fuel
44	17670412		Screw Hexwsh Thdrol 1/4-20x3/4
45	17000612		Screw Hexwsh Thdr 3/8-16 x 3/4
46	19091416		Washer 9/32 X 7/8 X 16 Ga
62	10040500		Washer Lock Hvy Hlcl Spr 5/16
72	71070512		Screw Hex Hd Cap 5/16-18 x 3/4
78	17060620		Screw 3/8-16x1-1/4
81	73510400		Nut Keps Hex 1/4-20 UNC
112	3645J		Bushing



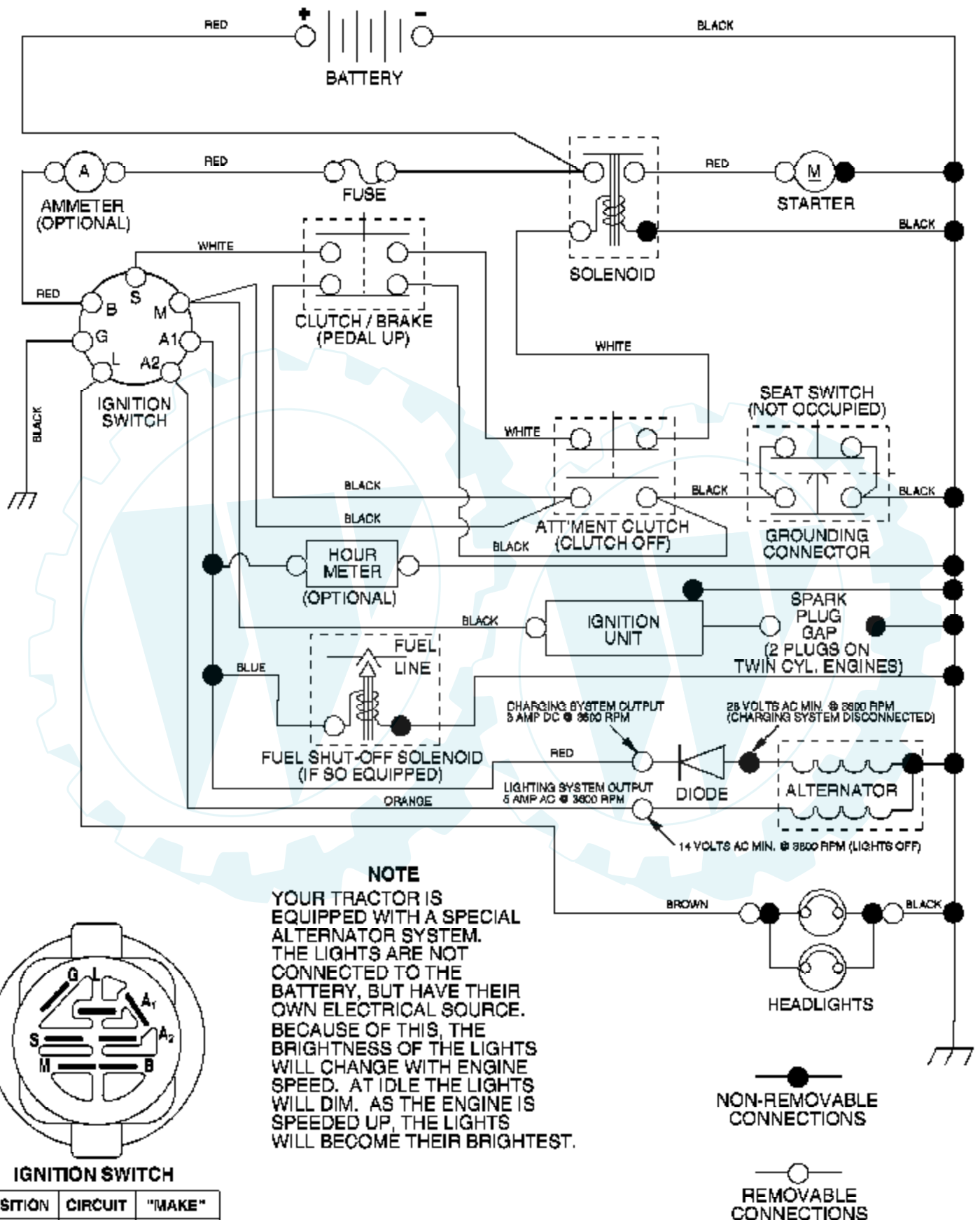


Ref #	Part Number	Qty	Description
1	165892X421		Mower Deck Assembly, 42"
2	72140506		Bolt
3	138017		Bracket Asm Fr. Sway Bar 3/42
4	165460		Bracket Asm Deck 42" Sway Bar
5	4939M		Retainer Spring
6	178024		Bar Sway Deck
8	850857		Bolt 3/8-24 x 25 Grade 8 patched
9	10030600		Washer, Lock
10	140296		Washer, Hardened
11	134149		Blade, Mulching 42"
	138498		Blade Mower 42" Hi-Lift
13	137645		Shaft Assembly, Mandrel, Vented
14	128774		Housing, Mandrel, Vented
15	110485X		Bearing, Ball, Mandrel
16	174493		Stripper, Mandrel Deck
18	72140505		Bolt, Carriage 5/16-18 x 5/8
19	132827		Bolt, Shoulder
20	159770		Baffle, Vortex
21	73680500		Nut
23	177563		Bracket, Deflector Mower 42"
24	105304X		Cap, Sleeve 80 x 112 Blk Mower
25	123713X		Spring, Torsion, Deflector 2 52
26	110452X		Nut, Push Phos & Oil
27	130968X428		Shield, Deflector 42" Blk
28	19111016		Washer 11/32 x 5/8 x 16 Gauge
29	131491		Rod, Hinge 42" 6 75 W/G
30	173984		Screw Thdrol Washer Head
31	129963		Washer, Spacer Mower Vented
32	173436		Pulley, Mandrel
33	178342		Nut, Toplock 9/16 Flange
34	72110614		Bolt
36	173438		Pulley, Idler, Flat
37	19131316		Washer 13/32 x 13/16 x 16 Gauge
40	73680600		Nut
44	140088		Guard, Mandrel, LH
45	4497H		Retainer
46	137729		Screw, Thdrol 1/4-20 x 5/8 T
48	133944		Washer, Hardened
49	174284		Roller Assembly, Cam Follower
50	131340		Bolt, Shoulder #10-24 Grade 5
51	69180		Locknut
52	139888		Bolt, Shoulder 5/16-18 UNC
53	131845		Arm Assembly, Pad, Brake
54	133943		Washer, Hardened
55	155046		Arm, Idler
56	122052X		Spacer, Retainer
59	173442		Guard TUV Idler
67	171598		Knob
68	144959		V-Belt, 42" Mower
91	180532		Bracket Asm. Noseroller LH
92			UNKNOWN
94	132264		Roller, Nose
95	180533		Bracket Asm. Noseroller RH
101	136420		Mulcher Cover
102	71081010		Screw
103	19061216		Washer, Flat
104	10071000		Washer, Lock
105	160793		Latch Assembly

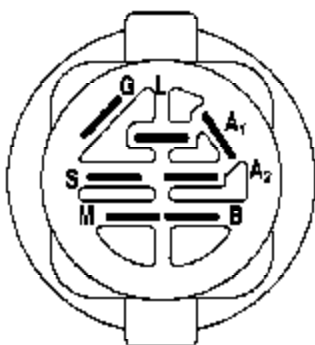
Ref #	Part Number	Qty	Description
106	2029J		Nut, Weld
111	179292X421		Bracket, Gauge, Wheel LH
112	179293X421		Bracket, Gauge, Wheel RH
113	17060510		Screw 3/8-16 x .625
114	73510500		Nut, Keps 5/16 - 18 UNC
115	72110505		Bolt, Carriage 5/16-18 x 5/8
116	4898H		Bolt, Shoulder
117	165746		Wheel, Gauge
118	73930600		Nut Centerlock 3/8-16
119	19121414		Washer 3/8 x 7/8 x 14 Ga.
129			UNKNOWN
130			UNKNOWN
131			UNKNOWN
132	17060612		Screw 3/8-16 x .75
142	165890		Arm Spring Brake Mower
143	157109		Bracket Arm Idler 42"
144	173441		Keeper Belt 42" Clutch Cable
145	173437		Pulley Idler Flat
146	173443		Bolt Carriage Idler
147	131335		Spring Extension
148	169022		Spring Return Idler
149	165898		Retainer Spring Yellow
150	19091216		Washer 9/32 x 3/4 x 16 Ga.
151	169670		Bracket Clutch Cable
152	169676		Clutch Cable 42"
153	169674		Washer Flat 3/8" Type B
154	169675		Spring Retainer
155	169671		Spring Retention LVR CLTCH CAB
156	169672		Spacer Clutch Cable
157	169669		Rod Clutch Cable 3/8"
158	17720408		Screw Hex Thd Cut 1/4-20 x 5/8
159	72140614		Bolt Rdhd Sqn 3/8-16 UNC x 1-3/4
182	179126		Rod Roller Nose
183	163552		Retainer Spring
	130794		Mandrel Assembly (Includes Housing, Shaft and Shaft Hardware Only-Pulley Not Included)
	172559		Replacement Mower, Complete



Ref #	Part Number	Qty	Description
1	159460		Wire Asm Inner/Sprg W/plunger LT
2	159471		Shaft Asm Lift RH w/Inf
3	105767X		Pin Groove 1 500 Zinc
4	12000002		E Ring #5133-62
5	19211621		Washer 21/32 X 1 X 21 Ga
6	120183X		Bearing Nylon Blk 629 Id
7	125631X		Grip Handle
8	170770		Button Plunger Yellow
11	139865		Link Lift LH Fixed Length
12	139866		Link Lift RH Fixed Length
13	4939M		Retainer Spring
15	173288		Link Front
16	73350800		Nut Jam Hex 1/2-13 Unc
17	175689		Trunnion Blk Zinc
18	73800800		Nut Lock w/Wsh 1/2-13 Unc
19	139868		Arm Suspension Rear
20	163552		Retainer Spring
23	110807X		Nut Special
24	19131016		Washer 13/32 X 5/8 X 16 Ga
25	2876H		Spring 2-1/8"
26	169484		Retainer Clip
27	126971X		Rod Adj Lift Zinc 7.49 Wrk Lg
28	73350600		Nut Hex Jam 3/8-16 Unc
29	138057		Knob Inf 3/8-16 Unc Blk W/sym
30	150233		Trunnion Infin Height
31	169865		Bearing Pvt Lift
32	73540600		Nut Crownlock 3/8 - 24
36	155097		Pointer Height Indicator
37	123935X		Plug Hole Blk 1.485/1.515 Dia.
38	17060516		Screw Thdrol 5/16-18 x 1
40	19112410		Washer 11/32 x 1-1/2 10 Ga.
41	155098		Indicator Height STLT
49	145212		Nut Hex Flange Lock
50	110452X		Nut PUSh Phos & Oil



NOTE
YOUR TRACTOR IS EQUIPPED WITH A SPECIAL ALTERNATOR SYSTEM. THE LIGHTS ARE NOT CONNECTED TO THE BATTERY, BUT HAVE THEIR OWN ELECTRICAL SOURCE. BECAUSE OF THIS, THE BRIGHTNESS OF THE LIGHTS WILL CHANGE WITH ENGINE SPEED. AT IDLE THE LIGHTS WILL DIM. AS THE ENGINE IS SPEEDED UP, THE LIGHTS WILL BECOME THEIR BRIGHTEST.

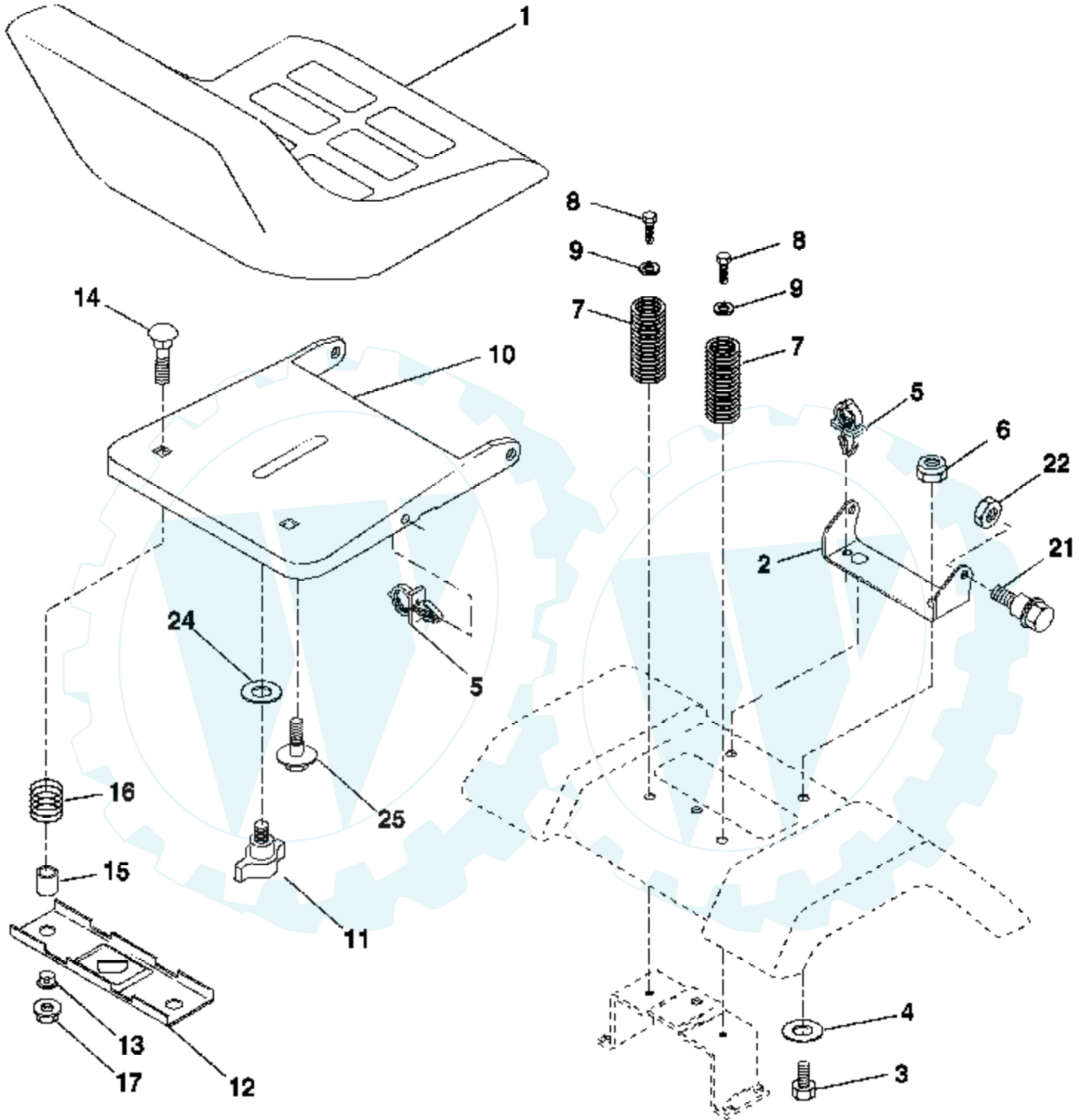


IGNITION SWITCH

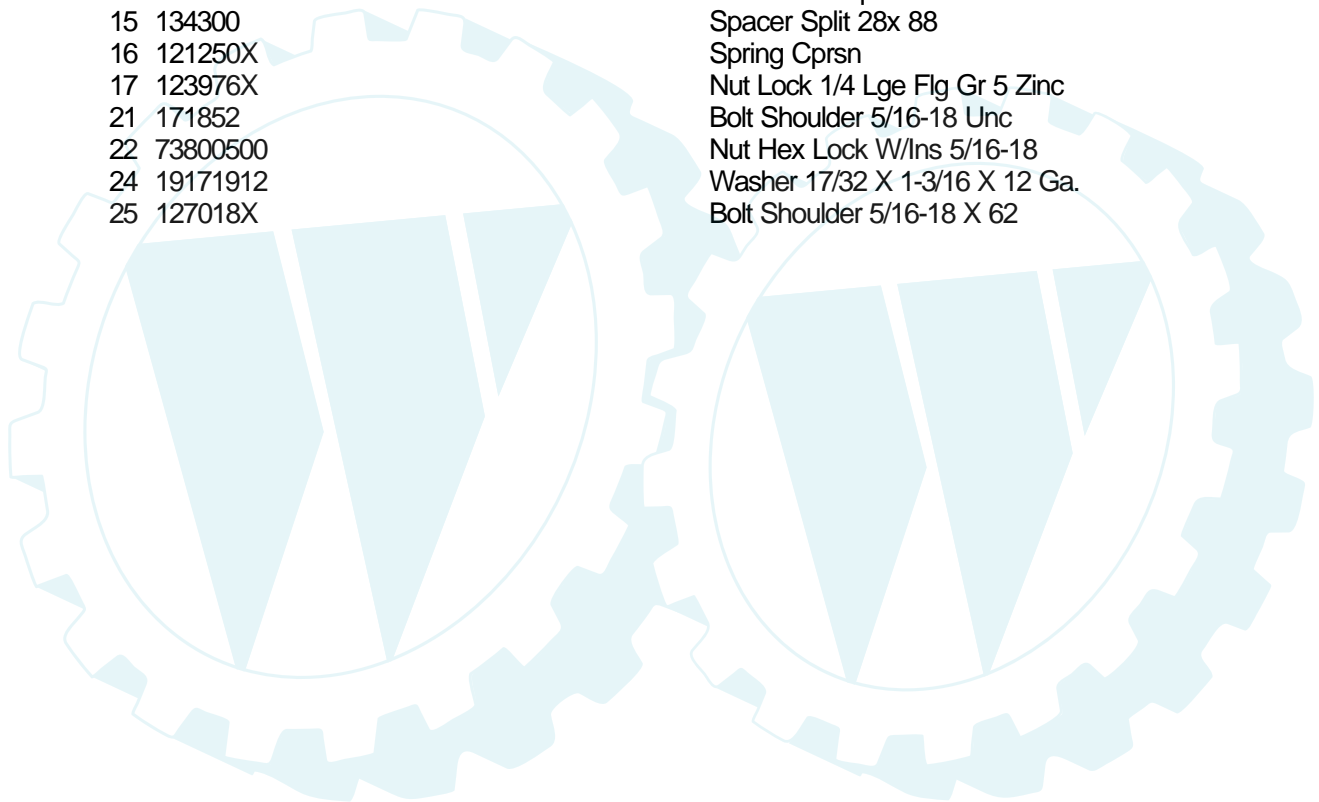
POSITION	CIRCUIT	"MAKE"
OFF	M+G+A1	NONE
RUN/LIGHT	B+A1	A2+L
RUN	B+A1	NONE
START	B + S + A1	NONE

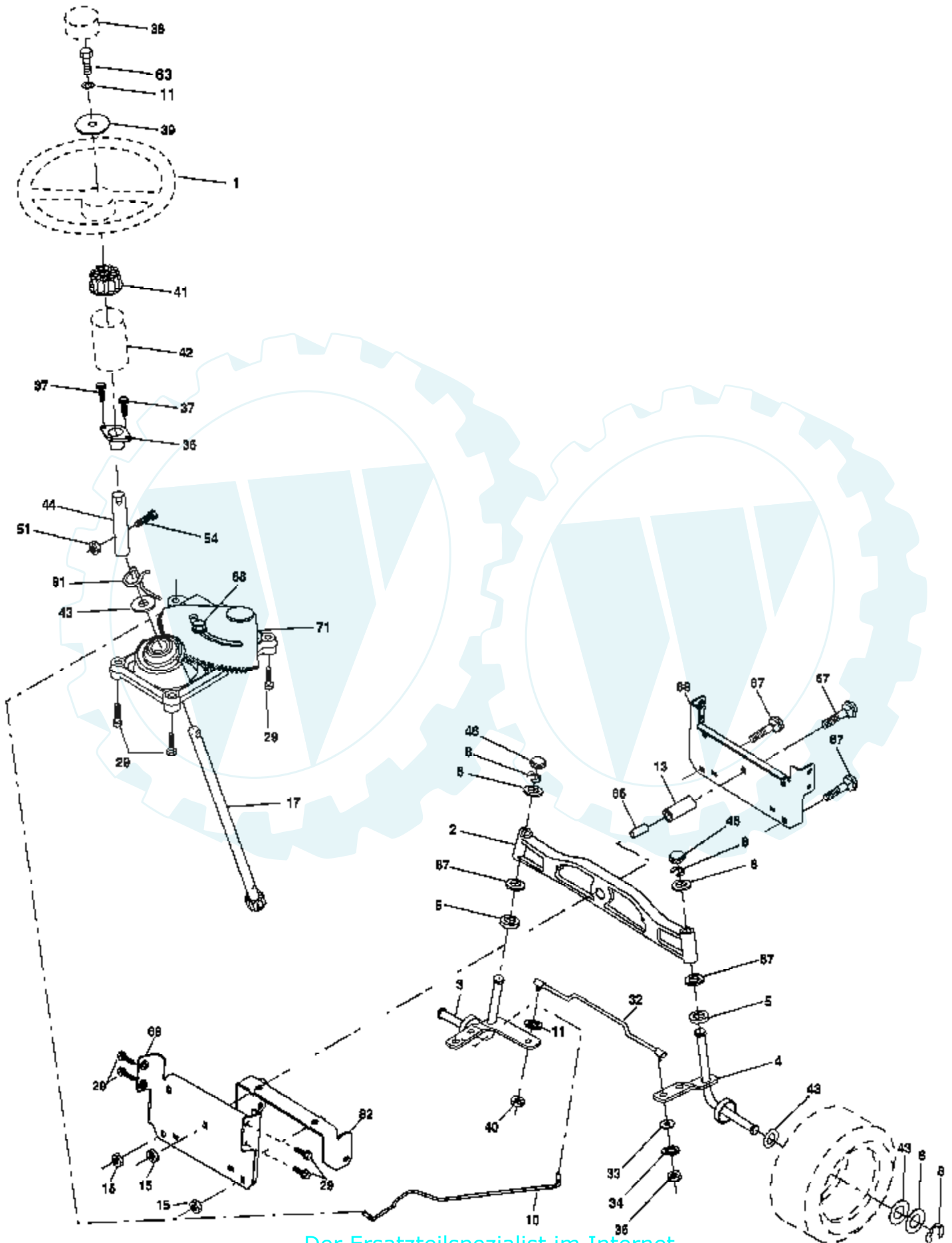
WIRING INSULATED CLIPS

NOTE: IF WIRING INSULATED CLIPS WERE REMOVED FOR SERVICING OF UNIT, THEY SHOULD BE REPLACED TO PROPERLY SECURE YOUR WIRING.

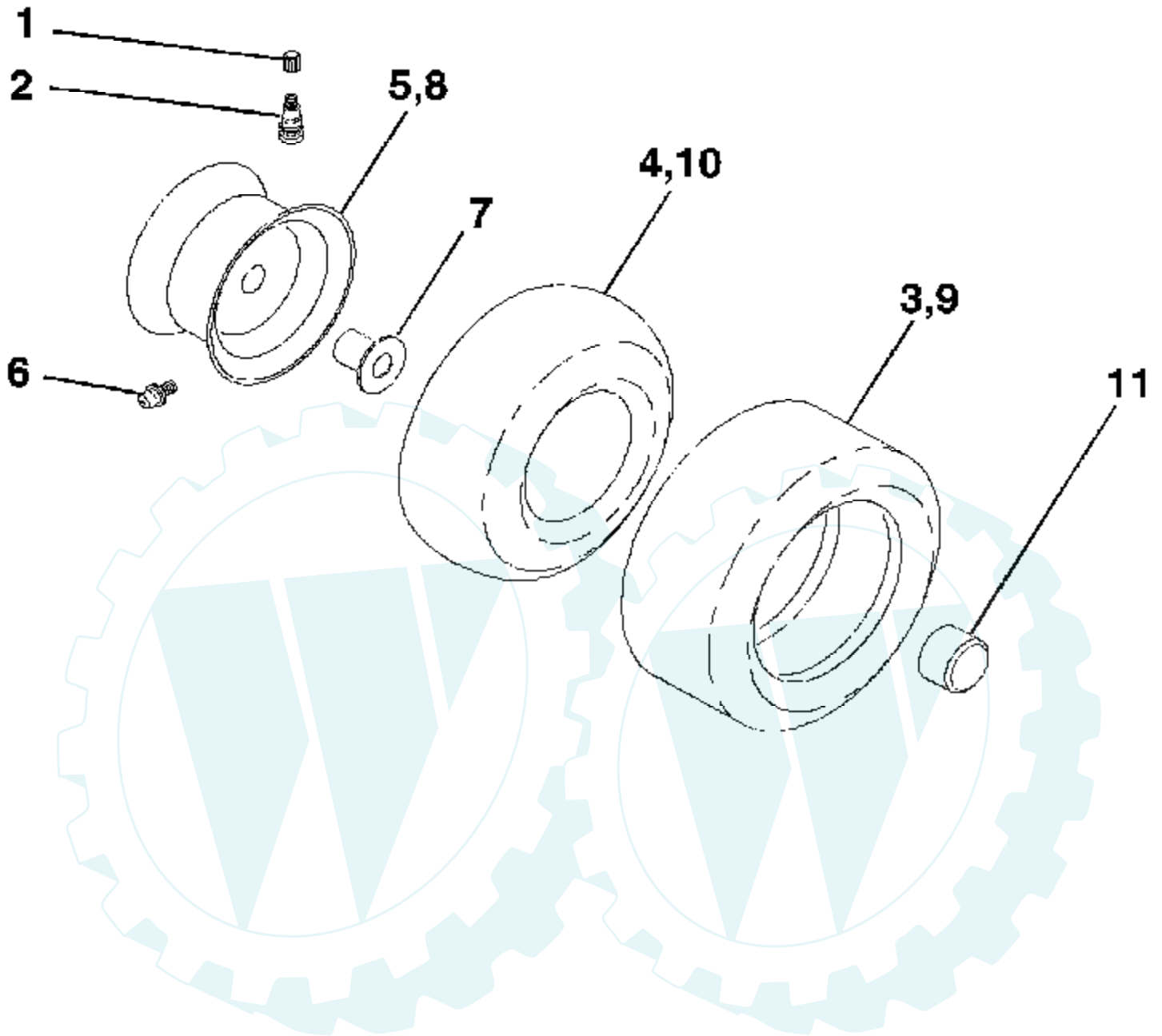


Ref #	Part Number	Qty	Description
1	171683		Seat
2	140551		Bracket Pivot Seat 8 720
3	71110616		Bolt Fin Hex 3/8-16 Unc X 1
4	19131610		Washer 13/32 X 1 X 10 Ga
5	145006		Clip Push-In
6	73800600		Nut Hex w/Ins. 3/8-16 Unc
7	124181X		Spring Seat Cprsn 2 250 Blk Zi
8	17000616		Screw 3/8-16 X 1.5
9	19131614		Washer 13/32 X 1 X 14 Ga.
10	174894		Pan Seat
11	166369		Knob Seat
12	121246X		Bracket Mounting Switch
13	121248X		Bushing Snap Blk Nyl 50 Id
14	72050412		Bolt Rdhd Sqnk 1/4-20x1-1/2
15	134300		Spacer Split 28x 88
16	121250X		Spring Cprsn
17	123976X		Nut Lock 1/4 Lge Flg Gr 5 Zinc
21	171852		Bolt Shoulder 5/16-18 Unc
22	73800500		Nut Hex Lock W/Ins 5/16-18
24	19171912		Washer 17/32 X 1-3/16 X 12 Ga.
25	127018X		Bolt Shoulder 5/16-18 X 62





Ref #	Part Number	Qty	Description
1	159944X428		Wheel Steering
2	172393		Axle Asm Cast Iron LT
3	169840		Spindle Asm LH
4	169839		Spindle Asm RH
5	6266H		Bearing Race Thrust Harden
6	121748X		Washer 25/32 X 1-5/8 X 16 Ga
8	12000029		Ring Klip #t5304-75
10	175121		Link Drag
11	10040600		Washer Lock Hvy Hlcl Spr 3/8
13	136518		Spacer Brg. Axle Front
15	145212		Nut Hex Flange Lock
17	177876		Shaft Asm. Steering
29	17060612		Screw 3/8-16x.75
32	171888		Rod Tie
33	19111216		Washer 11/32 x 3/4 x 16 Ga.
34	10040500		Washer Lock Hvy Hlcl Spr 5/16
35	73540500		Crownlock Nut 5/16-24
36	155099		Bushing Strg
37	152927		Screw
38	159946X428		Insert Cap Strg Wh Au
39	19132411		Washer
40	7810H		Lock nut
41	159945		Adaptor Wheel Strg
42	145054X428		Boot Steering Dash
43	121749X		Washer 25/32 X 1 1/4 X 16 Ga
44	153720		Extension Steering Shaft LR/LT
46	121232X		Cap Spindle Fr Top Blk
51	73800500		Nut Lock Hex w/Ins 5/16-18
54	74780520		Bolt Fin Hex 5/16-18 Unc x 1-1/4
63	74780616		Bolt Fin Hex 3/8-16unc x 1 Gr. 5
65	160367		Brace Axle
67	72140618		Bolt Rdhd Sq 3/8-16 Unc x 2-1/4
68	169827		Axle, Brace
71	175146		Steering Asm.
82	169835		Bracket Susp. Chassis Front
87	173966		Washer Flat .781 x 1-1/2 x .14
88	175118		Bolt Shoulder 7/16-20 Unc
91	175553		Clip Steering



Ref #	Part Number	Qty	Description
1	59192		Cap Valve Tire
2	65139		Stem Valve
3	170455		Tire F Ts 15 X 6 0 - 6 Service
4	59904		Tube Front (Service Item Only)
5	106732X421		Rim Asm 6" front Service
6	278H		Fitting Grease (Front Wheel Only)
7	9040H		Bearing Flange (Front Wheel Only)
8	106108X421		Rim Asm 8" rear Service
9	170456		Tire R Ts 20x10-8 C Service
10	7152J		Tube Rear (Service Item Only)
11	104757X421		Cap Axle 1 50 X 1 00
	144334		Sealant, Tire (10 oz. Tube)

