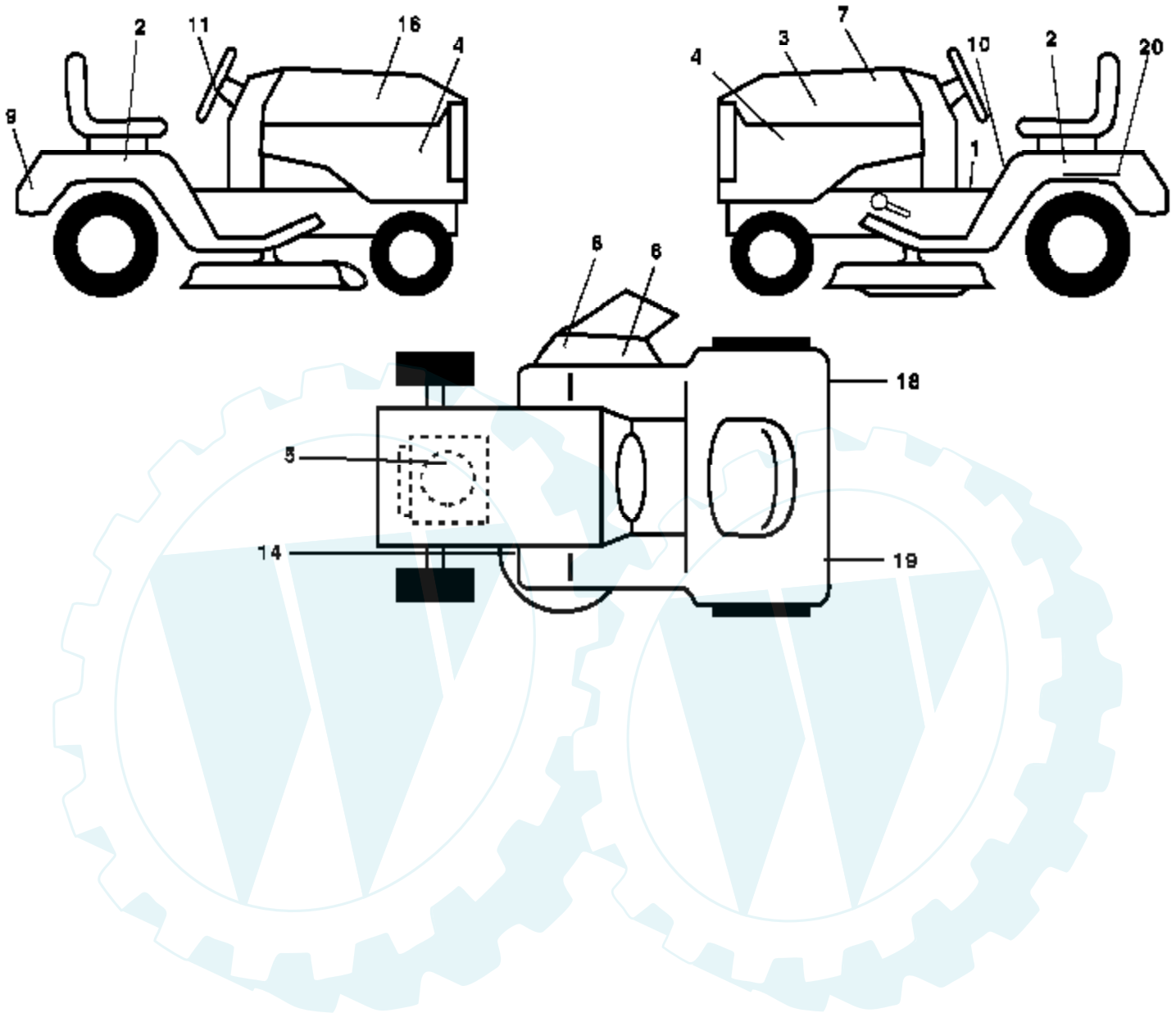
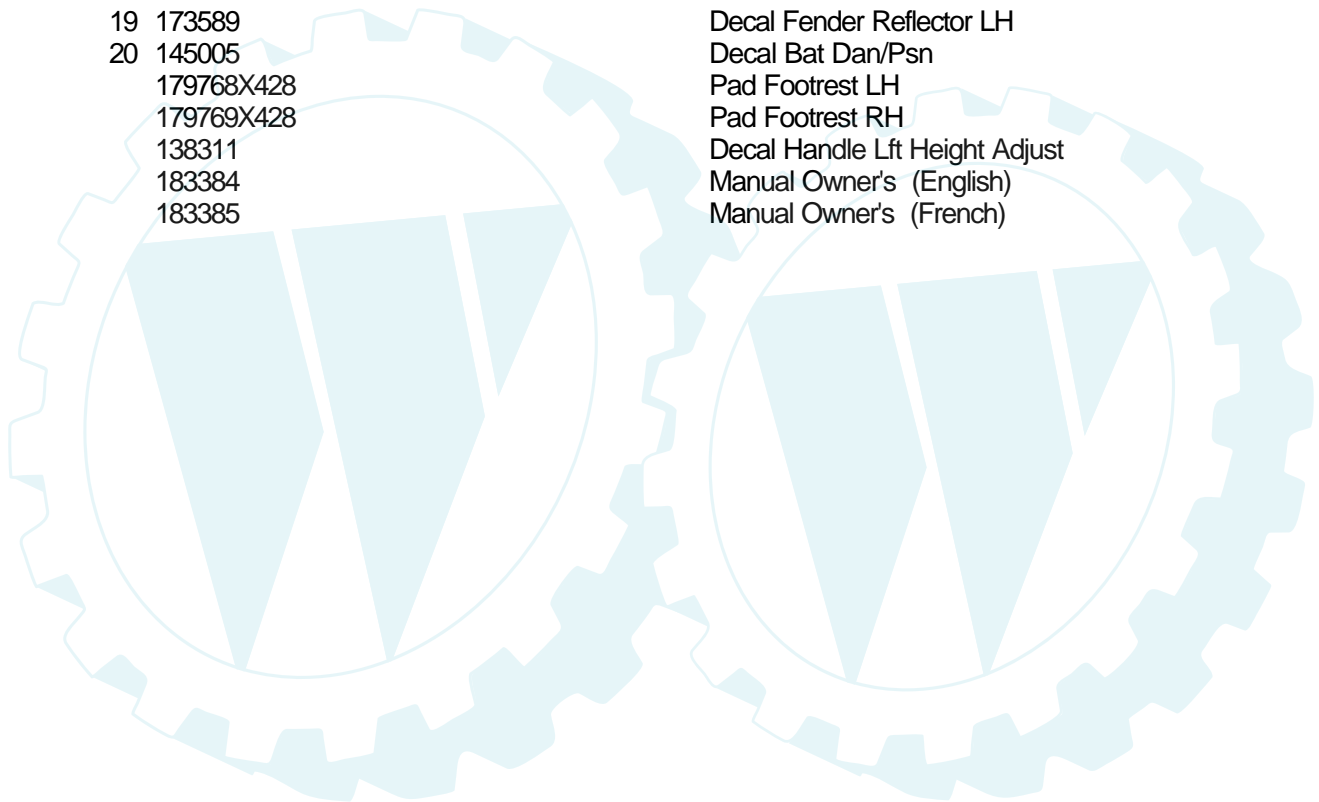
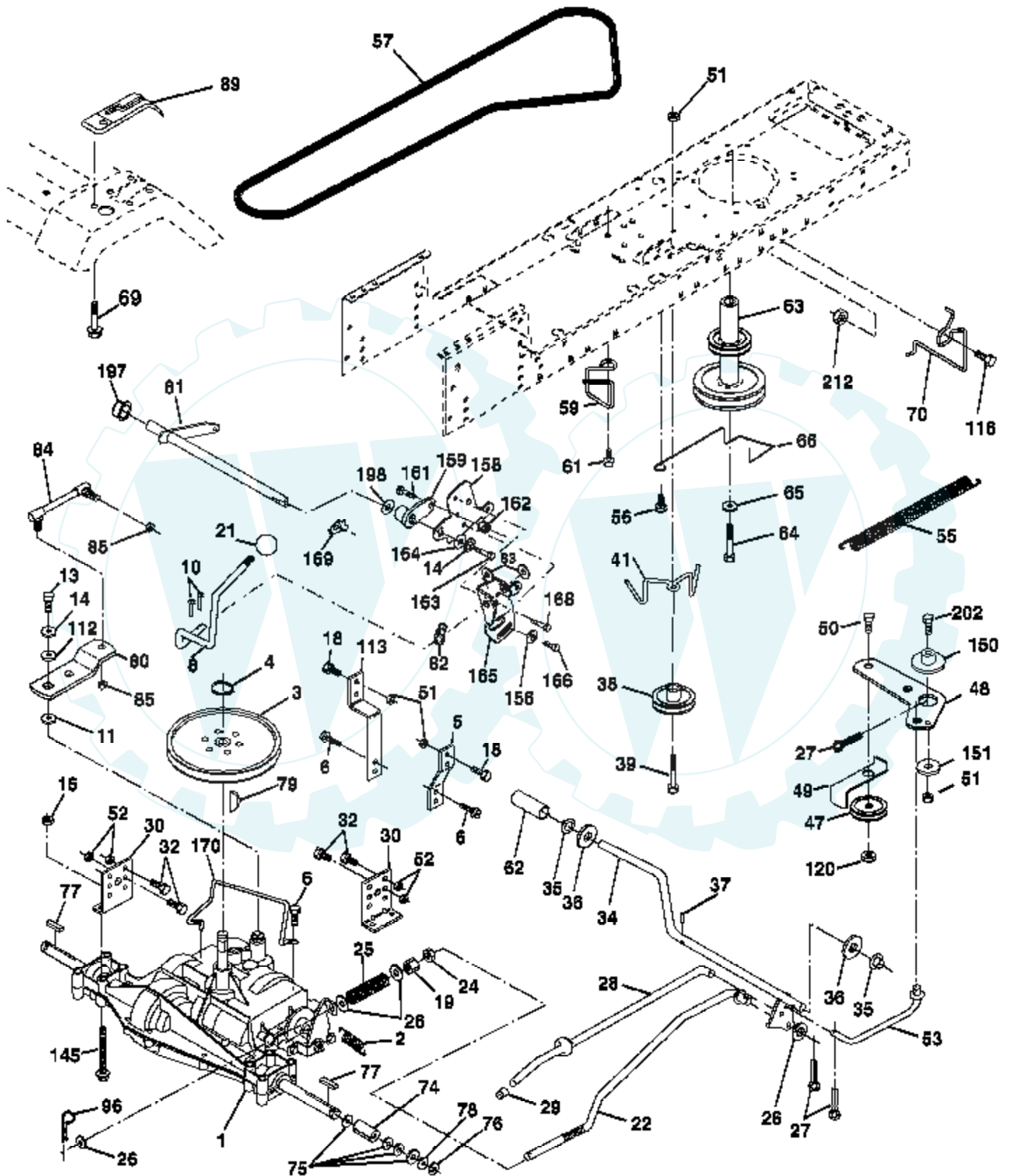


| Ref # | Part Number | Qty | Description                     |
|-------|-------------|-----|---------------------------------|
| 1     | 174619      |     | Chassis                         |
| 2     | 176554      |     | Drawbar                         |
| 3     | 17060612    |     | Screw 3/8-16x.75                |
| 5     | 155272      |     | Bumper Hood/Dash                |
| 9     | 168337X012  |     | Dash P/L                        |
| 10    | 72140608    |     | Bolt Carriage 3/8-16 x 1        |
| 11    | 174996      |     | Panel Dash Lh                   |
| 12    | 145660      |     | Clip Tinnerman                  |
| 13    | 172106      |     | Panel Dash Rh                   |
| 14    | 17490608    |     | Screw Thdrol 3/8-16 x 1-1/4     |
| 17    | 159639X428  |     | Hood LT/PL                      |
| 18    | 126938X     |     | Bumper Hood                     |
| 20    | 180679      |     | Plate Mtg Battery Fuel Tank Fr  |
| 23    | 124028X     |     | Bushing                         |
| 24    | 74780616    |     | Bolt Fin Hex 3/8-16 x 1 Gr 5    |
| 25    | 19131312    |     | Washer 13/32 X 13/16 X 12 Ga    |
| 26    | 73800600    |     | Nut Lock Hex W/Ins 3/8-16 Unc   |
| 28    | 179844      |     | Grille LT/PL                    |
| 29    | 170472X599  |     | Lens LT/PL                      |
| 30    | 169470X428  |     | Fender Footrest STLT Pnt        |
| 31    | 136619      |     | Bracket Support Fender          |
| 33    | 179716X428  |     | Footrest Pnt Lh                 |
| 34    | 179717X428  |     | Footrest Pnt Rh                 |
| 35    | 72110606    |     | Bolt Rdhd Sht Sqnk 3/8-16 x 3/4 |
| 37    | 17490508    |     | Screw Thdrol 6/16-18 x 1/2 TYT  |
| 38    | 175710      |     | Bracket Asm. Pivot Mower Rear   |
| 51    | 73800400    |     | Nut Lock Hex W/Ins 1/4-20       |
| 52    | 19091416    |     | Washer 9/32 x 7/8 x 16 Ga.      |
| 53    | 144697      |     | Bracjet Grukke Lh               |
| 54    | 161464      |     | Screw Hex Wshd 8-18 x 7/8       |
| 55    | 144696      |     | Bracket Grille Rh               |
| 57    | 74780412    |     | Bolt Hex 1/4-20 x 3/4           |
| 58    | 174930      |     | Duct Air                        |
| 64    | 154798      |     | Dash Lower STLT                 |
| 114   | 158112      |     | Keeper Belt Rear Lh             |
| 115   | 17060620    |     | Screw 3/8-16 x 1-1/4            |
| 142   | 175702      |     | Plate Reinforcement STLT        |
| 145   | 156524      |     | Rod Pivot Chassis/Hood          |
| 159   | 169473X428  |     | Cupholder                       |
| 206   | 170165      |     | Bolt Shoulder 5/16-18           |
| 207   | 17670508    |     | Screw Thdrol 5/16-18 x 1/2      |
| 208   | 17670608    |     | Screw Thdrol 3/8-16 x 1/2       |
| 211   | 145212      |     | Nut Hex Flange Lock             |
| 212   | 156229      |     | Insert Lens Reflect P/L LT      |
| 219   | 17000512    |     | Screw 5/16-18 x 3/4             |



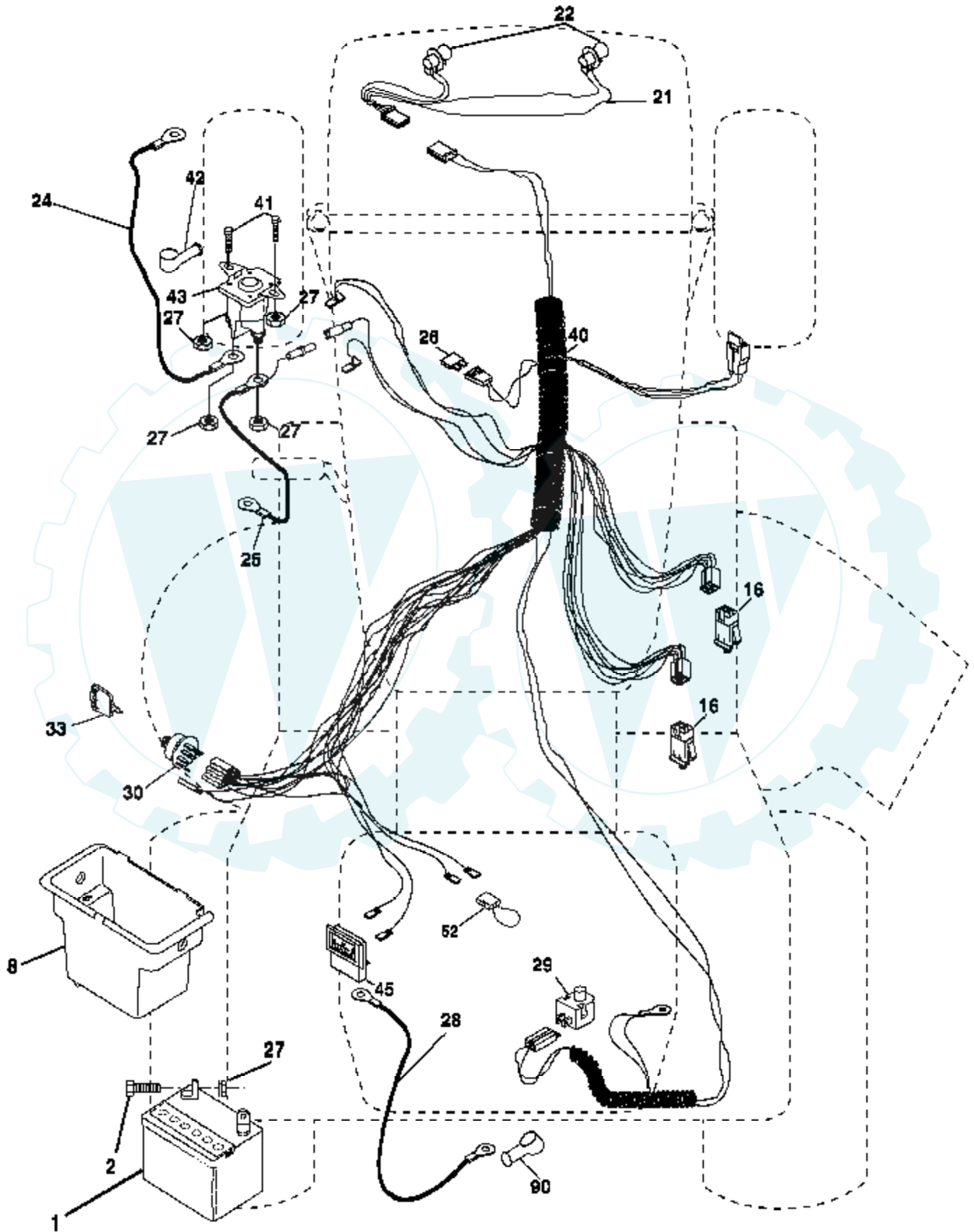
| Ref # | Part Number | Qty | Description                    |
|-------|-------------|-----|--------------------------------|
| 1     | 156369      |     | Decal Oper                     |
| 2     | 176305      |     | Decal Fender Side              |
| 3     | 176308      |     | Decal Hood LH                  |
| 4     | 178206      |     | Decal Side Panel Logo          |
| 5     | 180973      |     | Decal HP Engine                |
| 6     | 179128      |     | Decal Deck "B" 42"             |
| 7     | 180891      |     | Decal Repl. Parts              |
| 8     | 170563      |     | Decal Warning Multi-Language   |
| 9     | 172740      |     | Decal Fender Logo              |
| 10    | 157140      |     | Decal Fender Danger E/F        |
| 11    | 172743      |     | Decal Ins Strg Whl             |
| 14    | 160396      |     | Decal V-Belt Schematic         |
| 16    | 176307      |     | Decal Hood Rh                  |
| 18    | 173587      |     | Decal Fender Reflector RH      |
| 19    | 173589      |     | Decal Fender Reflector LH      |
| 20    | 145005      |     | Decal Bat Dan/Psn              |
|       | 179768X428  |     | Pad Footrest LH                |
|       | 179769X428  |     | Pad Footrest RH                |
|       | 138311      |     | Decal Handle Lft Height Adjust |
|       | 183384      |     | Manual Owner's (English)       |
|       | 183385      |     | Manual Owner's (French)        |





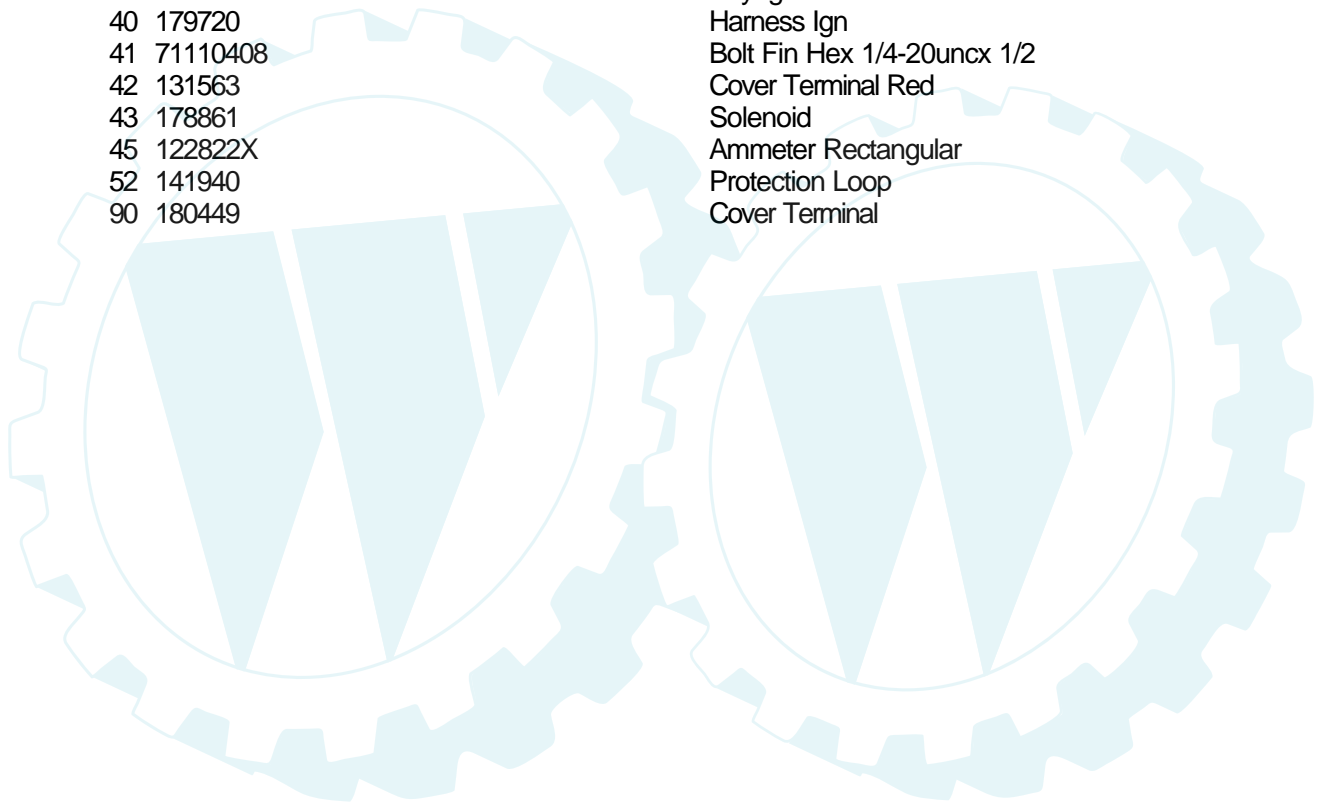
| Ref # | Part Number | Qty | Description   |
|-------|-------------|-----|---|
| 1     |             |     | Transaxle Peerless (206-545C) (Order parts from transaxle manufacturer) |
| 2     | 146682      |     | Spring Return Brake T/a Zinc  |
| 3     | 123666X     |     | Pulley Transaxle 18" tires  |
| 4     | 12000028    |     | Ring Retainer # 5100-62   |
| 5     | 121520X     |     | Strap Torque 30 Degrees   |
| 6     | 17060512    |     | Screw 5/16-18 X 3/4   |
| 8     | 165619      |     | Rod Shift Fender Adjust Lt  |
| 10    | 76020416    |     | Pin Cotter 1/8 X 1 Cad  |
| 11    | 105701X     |     | Washer Plate Shf 388 Sq Hole  |
| 13    | 74550412    |     | Bolt 1/4-28 Unf Gr 8 W/Patch  |
| 14    | 10040400    |     | Washer Lock Hvy Helical   |
| 16    | 73800500    |     | Nut Lock Hex w/ins 5/16-18  |
| 18    | 74780616    |     | Bolt, Fin Hex 3/8-16 UNC x 1 Gr. 5                                      |
| 19    | 73800600    |     | Nut Lock 3/8-16 Unc   |
| 21    | 140845      |     | Knob  |
| 22    | 130804      |     | Rod Brake Blk Zinc 26 840   |
| 24    | 73350600    |     | Nut Hex Jam 3/8-16 Unc  |
| 25    | 106888X     |     | Spring Rod Brake 2 00 Zinc  |
| 26    | 19131316    |     | Washer 13/32 X 13/16 X 16 Ga  |
| 27    | 76020412    |     | Pin Cotter 1/8 X 3/4 Cad  |
| 28    | 175765      |     | Rod Brake Parking LT/YT   |
| 29    | 71673       |     | Cap Brake Parking   |
| 30    | 169592      |     | Bracket Mtg Transaxle   |
| 32    | 74760512    |     | Bolt Hex Hd 5/16-18unc X 3/4  |
| 34    | 175578      |     | Shaft Asm Pedal Foot  |
| 35    | 120183X     |     | Bearing Nylon Blk 629 Id  |
| 36    | 19211616    |     | Washer 21/32 X 1 X 16 Ga  |
| 37    | 1572H       |     | Pin Roll 3/16 X 1"  |
| 38    | 179114      |     | Pulley Composite Flat   |
| 39    | 74760648    |     | Bolt Fin Hex 3/8-16 unc X 3   |
| 41    | 175556      |     | Keeper Belt Flat Idler  |
| 47    | 127783      |     | Pulley Idler V Groove Plastic   |
| 48    | 154407      |     | Bellcrank Asm   |
| 49    | 123205X     |     | Retainer Belt Style Spring  |
| 50    | 74760624    |     | Bolt Hex Hd 3/8-16unc X 1-1/2   |
| 51    | 73680600    |     | Nut Crownlock 3/8-16 Unc  |
| 52    | 73680500    |     | Nut Crownlock 5/16-18 Unc   |
| 53    | 105710X     |     | Link Clutch   |
| 55    | 105709X     |     | Spring Return Clutch 6 75   |
| 56    | 17060620    |     | Screw 3/8-16 x 1-1/4  |
| 57    | 130801      |     | V-Belt Ground Drive 95 25   |
| 59    | 169691      |     | Keeper Belt Span Ctr  |
| 61    | 17120614    |     | Screw 3/8-16 x .875   |
| 62    | 8883R       |     | Cover Pedal Blk Round   |
| 63    | 175410      |     | Engine Pulley   |
| 64    | 71170764    |     | Bolt Hex  |
| 65    | 10040700    |     | Washer Lock Hvy Hlcl Spr 7/16   |
| 66    | 154778      |     | Keeper Belt Engine Foolproof  |
| 69    | 142432      |     | Screw Hex wsh Hi Lo 1/4 x 1/2 unc                                       |
| 70    | 134683      |     | Guide Belt Mower Drive RH   |
| 74    | 137057      |     | Spacer Axle   |
| 75    | 121749X     |     | Washer 25/32 X 1 1/4 X 16 Ga  |
| 76    | 12000001    |     | E-ring #5133-75   |
| 77    | 123583X     |     | Key Square 2 0 X 1845/ 1865   |
| 78    | 121748X     |     | Washer 25/32 X 1-5/8 X 16 Ga  |
| 79    | 2228M       |     | Key Woodruff #9 3/16 x 3/4  |

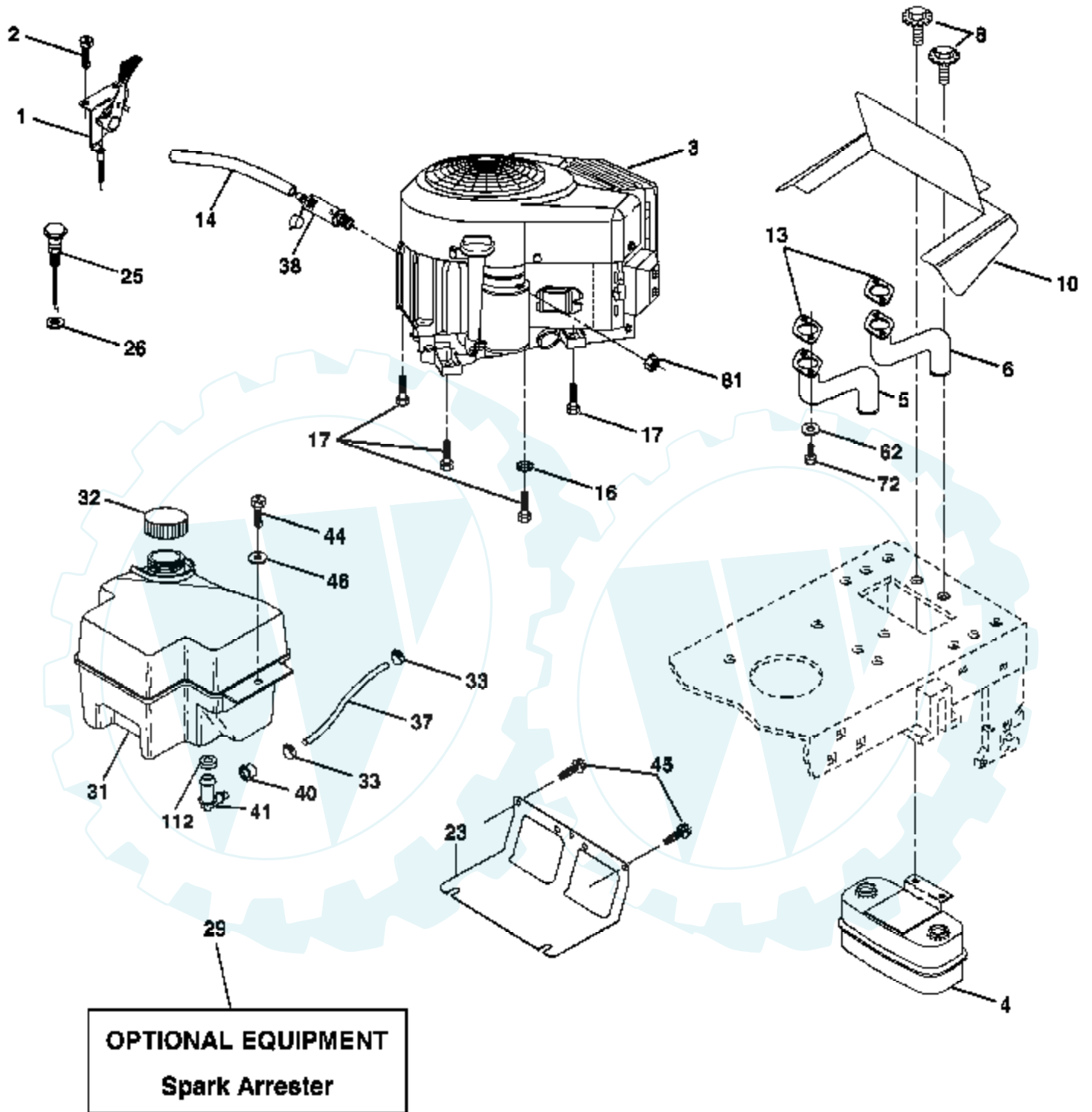
| Ref # | Part Number | Qty | Description                       |
|-------|-------------|-----|-----------------------------------|
| 80    | 145090      |     | Arm Shift                         |
| 81    | 165592      |     | Shaft Asm Cross Tapered PMST/20   |
| 82    | 123782X     |     | Spring Torsion T/a                |
| 83    | 19171216    |     | Washer 17/32 X 3/4 X 16 Ga        |
| 84    | 166231      |     | Link Transaxle PMST/20" Zinc      |
| 85    | 150360      |     | Nut Lock Center 1/4 - 28 FNTHD    |
| 89    | 169372X428  |     | Console Shift STLT                |
| 96    | 4497H       |     | Retainer Spring 1"                |
| 112   | 19091210    |     | Washer 9/32 x 3/4 x 10 Ga.        |
| 113   | 127285X     |     | Strap Torque LT                   |
| 116   | 72140608    |     | Bolt Rdhd Sq Neck 3/8-16 x 1      |
| 120   | 73900600    |     | Nut Lock Flg. 3/8-16 Unc          |
| 145   | 74490540    |     | Bolt Hex FLGHD 5/16-18 Gr. 5      |
| 150   | 175456      |     | Spacer Retainer                   |
| 151   | 19133210    |     | Washer 13/32 x 2 x 10             |
| 156   | 166002      |     | Washer Srrted 5/16ID x 1.125      |
| 158   | 165589      |     | Bracket Shift Mount               |
| 159   | 165494      |     | Hub Tapered Flange Shift Lt       |
| 161   | 72140406    |     | Bolt Rdhd Sqnk 1/4-20 x 3/4 Gr    |
| 162   | 73680400    |     | Nut Crownlock 1/4-20 Unc          |
| 163   | 74780416    |     | Bolt Hex Fin 1/4-20 Unc x 1 Gr 5  |
| 164   | 19091010    |     | Washer 5/8 x .281 x 10 Ga         |
| 165   | 165623      |     | Bracket Pivot Lever               |
| 166   | 166880      |     | Screw 5/16-18 x 5/8               |
| 168   | 165492      |     | Bolt Shoulder 5/16-18 x .561      |
| 169   | 165580      |     | Plate Fastening                   |
| 170   | 178394      |     | Keeper Belt Transaxle Gear        |
| 197   | 169613      |     | Nyliner Snap-In                   |
| 198   | 169593      |     | Washer Nyliner                    |
| 202   | 72110612    |     | Bolt Carr Sh 3/8-16 x 1-1/2 Gr. 5 |
| 212   | 145212      |     | Nut Hexflange Lock                |



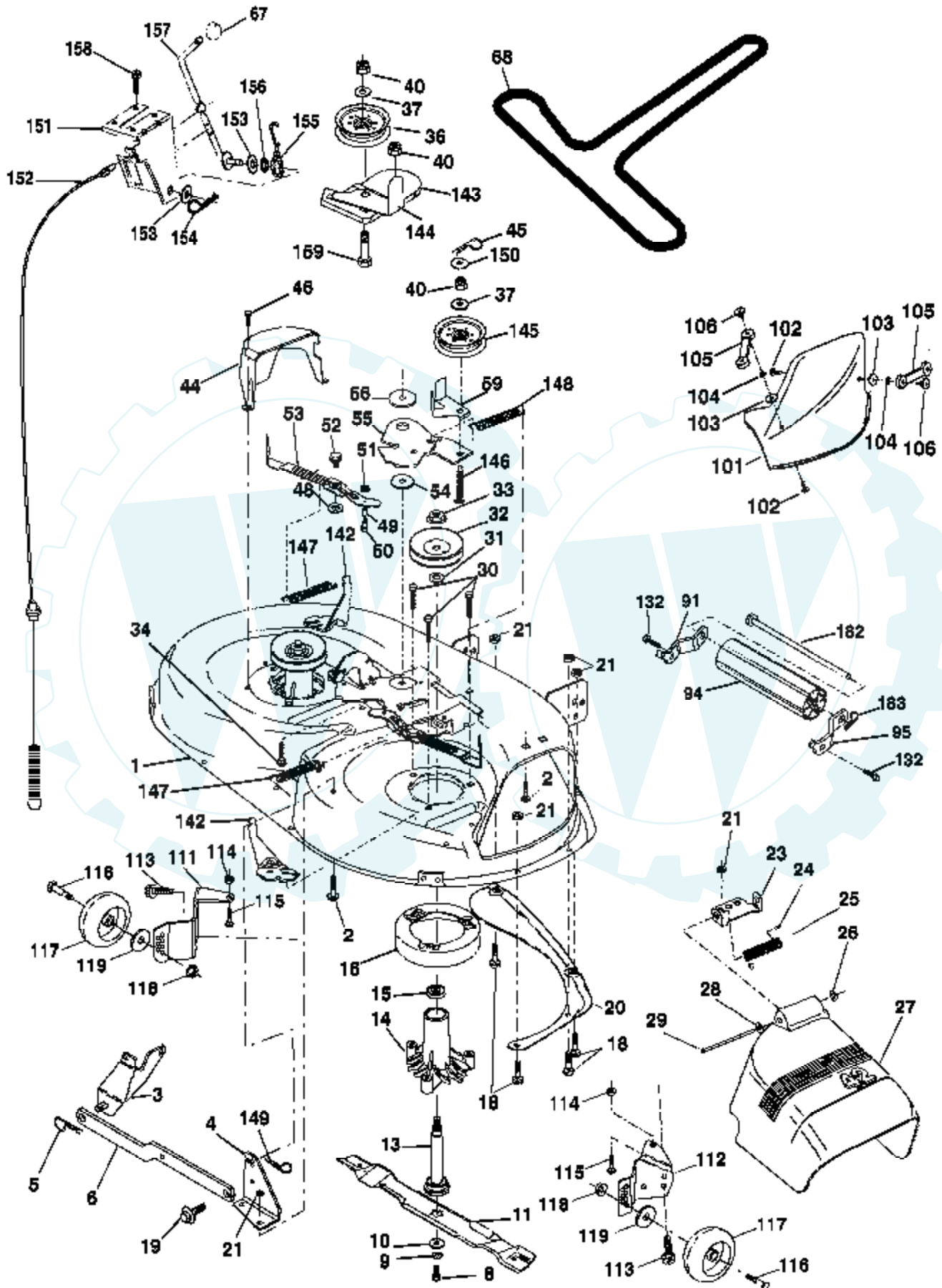


| Ref # | Part Number | Qty | Description                      |
|-------|-------------|-----|----------------------------------|
| 1     | 144927      |     | Battery 12 Volt 35 Amp           |
| 2     | 74760412    |     | Bolt Hex Hd 1/4-20unc X 3/4      |
| 8     | 176689      |     | Battery Box                      |
| 16    | 176138      |     | Switch Interlock Push-In         |
| 21    | 175685      |     | Harness Socket Light             |
| 22    | 4152J       |     | Bulb, Light # 1156               |
| 24    | 4799J       |     | Cable Battery                    |
| 25    | 146147      |     | Cable Battery 6 Ga Red w/16 wire |
| 26    | 175158      |     | Fuse                             |
| 27    | 73510400    |     | Nut Keps Hex 1/4-20 Unc          |
| 28    | 4207J       |     | Cable Ground 6ga 12 black        |
| 29    | 121305X     |     | Switch Plunger Nc Gray           |
| 30    | 175566      |     | Switch Ign                       |
| 33    | 140401      |     | Key Ign Molded Generic           |
| 40    | 179720      |     | Harness Ign                      |
| 41    | 71110408    |     | Bolt Fin Hex 1/4-20uncx 1/2      |
| 42    | 131563      |     | Cover Terminal Red               |
| 43    | 178861      |     | Solenoid                         |
| 45    | 122822X     |     | Ammeter Rectangular              |
| 52    | 141940      |     | Protection Loop                  |
| 90    | 180449      |     | Cover Terminal                   |



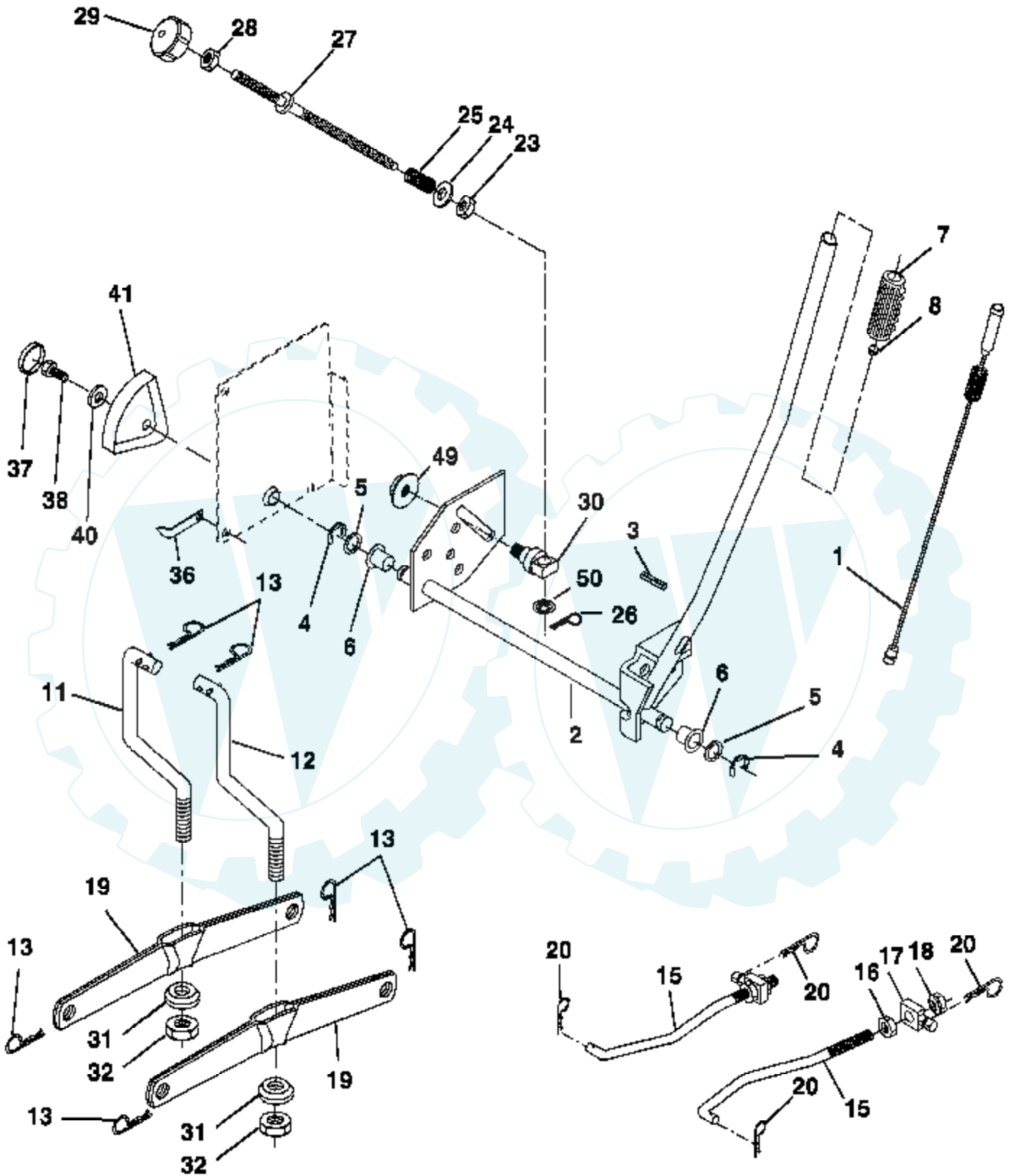


| Ref # | Part Number | Qty | Description  |
|-------|-------------|-----|--|
| 1     | 170771      |     | Control Th/ch Flag   |
| 2     | 17720408    |     | Screw Hex Thd Cut 1/4-20x1/2                                       |
| 3     |             |     | Engine, Briggs Model 445777 (Order Parts From Engine Manufacturer) |
| 4     | 149723      |     | Muffler Exhaust  |
| 5     | 159955      |     | Exhaust Tube LH  |
| 6     | 160589      |     | Exhaust Tube RH  |
| 8     | 171877      |     | Bolt 5/16-18 UNC x 3/4   |
| 10    | 162797      |     | Shield Browning  |
| 13    | 165291      |     | Gasket Muffler   |
| 14    | 148456      |     | Tube Drain Oil Easy  |
| 16    | 11050600    |     | Washer Lock Ext Tooth 3/8  |
| 17    | 17060624    |     | Screw 3/8-16 x 1-1/2   |
| 23    | 169837      |     | Shield Brn/Dbr Guard   |
| 25    | 145996      |     | Control Choke  |
| 26    | 73920600    |     | Nut Keps 3/8-24 Unf  |
| 29    | 137180      |     | Arrestor Spark   |
| 31    | 180645      |     | Tank Fuel Front 2 00   |
| 32    | 140527      |     | Cap Fuel   |
| 33    | 123487X     |     | Clamp Hose Black   |
| 37    | 137040      |     | Line Fuel 20"  |
| 38    | 148315      |     | Plug Oil Drain Easy  |
| 40    |             |     | UNKNOWN  |
| 41    | 139277      |     | Stem Tank Fuel   |
| 44    | 17670412    |     | Screw Hex wsh Thdrol 1/4-20x3/4                                    |
| 45    | 17000612    |     | Screw Hex Wsh Thdrol 3/8-16 x 3/4                                  |
| 46    | 19091416    |     | Washer 9/32 X 7/8 X 16 Ga  |
| 62    | 10040500    |     | Washer Lock 5/16   |
| 72    | 71070512    |     | Screw Hex 5/16-18 x 3/4  |
| 81    | 73510400    |     | Nut Keps Hex 1/4-20 Unc  |
| 112   | 3645J       |     | Bushing  |



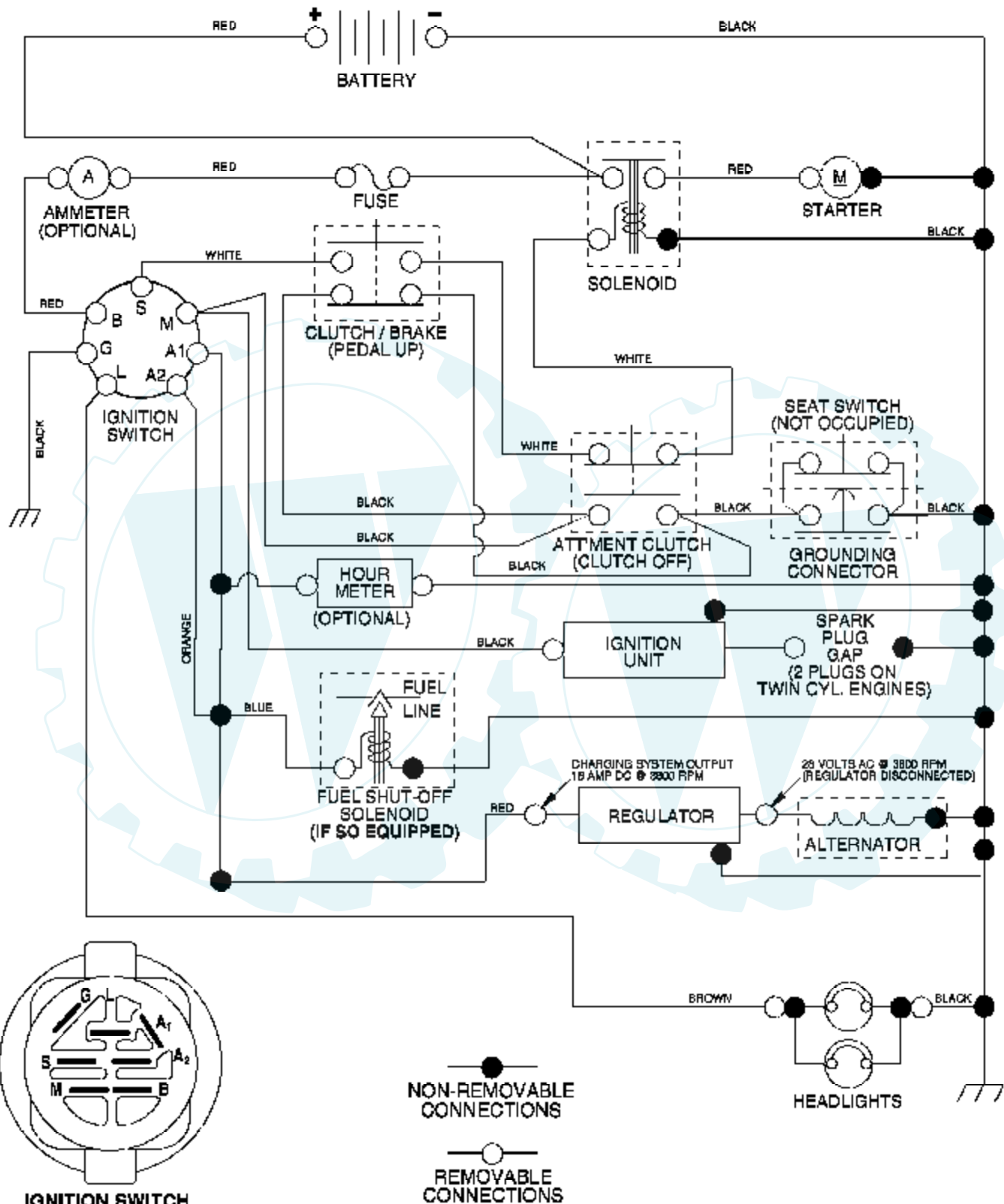
| Ref # | Part Number | Qty | Description                      |
|-------|-------------|-----|----------------------------------|
| 1     | 165892X421  |     | Mower Deck Assembly, 42"         |
| 2     | 72140506    |     | Bolt                             |
| 3     | 138017      |     | Bracket Asm Fr. Sway Bar 3/42    |
| 4     | 165460      |     | Bracket Asm Deck 42" Sway Bar    |
| 5     | 4939M       |     | Retainer Spring                  |
| 6     | 178024      |     | Bar Sway Deck                    |
| 8     | 850857      |     | Bolt 3/8-24 x 25 Grade 8 patched |
| 9     | 10030600    |     | Washer, Lock                     |
| 10    | 140296      |     | Washer, Hardened                 |
| 11    | 134149      |     | Blade, Mulching 42"              |
|       | 138498      |     | Blade Mower 42" Hi-Lift          |
| 13    | 137645      |     | Shaft Assembly, Mandrel, Vented  |
| 14    | 128774      |     | Housing, Mandrel, Vented         |
| 15    | 110485X     |     | Bearing, Ball, Mandrel           |
| 16    | 174493      |     | Stripper, Mandrel Deck           |
| 18    | 72140505    |     | Bolt, Carriage 5/16-18 x 5/8     |
| 19    | 132827      |     | Bolt, Shoulder                   |
| 20    | 159770      |     | Baffle, Vortex                   |
| 21    | 73680500    |     | Nut                              |
| 23    | 177563      |     | Bracket, Deflector Mower 42"     |
| 24    | 105304X     |     | Cap, Sleeve 80 x 112 Blk Mower   |
| 25    | 123713X     |     | Spring, Torsion, Deflector 2 52  |
| 26    | 110452X     |     | Nut, Push Phos & Oil             |
| 27    | 130968X428  |     | Shield, Deflector 42" Blk        |
| 28    | 19111016    |     | Washer 11/32 x 5/8 x 16 Gauge    |
| 29    | 131491      |     | Rod, Hinge 42" 6 75 W/G          |
| 30    | 173984      |     | Screw Thdrol Washer Head         |
| 31    | 129963      |     | Washer, Spacer Mower Vented      |
| 32    | 173436      |     | Pulley, Mandrel                  |
| 33    | 178342      |     | Nut, Toplock 9/16 Flange         |
| 34    | 72110614    |     | Bolt                             |
| 36    | 173438      |     | Pulley, Idler, Flat              |
| 37    | 19131316    |     | Washer 13/32 x 13/16 x 16 Gauge  |
| 40    | 73680600    |     | Nut                              |
| 44    | 140088      |     | Guard, Mandrel, LH               |
| 45    | 4497H       |     | Retainer                         |
| 46    | 137729      |     | Screw, Thdrol 1/4-20 x 5/8 T     |
| 48    | 133944      |     | Washer, Hardened                 |
| 49    | 174284      |     | Roller Assembly, Cam Follower    |
| 50    | 131340      |     | Bolt, Shoulder #10-24 Grade 5    |
| 51    | 69180       |     | Locknut                          |
| 52    | 139888      |     | Bolt, Shoulder 5/16-18 UNC       |
| 53    | 131845      |     | Arm Assembly, Pad, Brake         |
| 54    | 133943      |     | Washer, Hardened                 |
| 55    | 155046      |     | Arm, Idler                       |
| 56    | 122052X     |     | Spacer, Retainer                 |
| 59    | 173442      |     | Guard TUV Idler                  |
| 67    | 171598      |     | Knob                             |
| 68    | 144959      |     | V-Belt, 42" Mower                |
| 91    | 180532      |     | Bracket Asm. Noseroller LH       |
| 94    | 132264      |     | Roller, Nose                     |
| 95    | 180533      |     | Bracket Asm. Noseroller RH       |
| 101   | 136420      |     | Mulcher Cover                    |
| 102   | 71081010    |     | Screw                            |
| 103   | 19061216    |     | Washer, Flat                     |
| 104   | 10071000    |     | Washer, Lock                     |
| 105   | 160793      |     | Latch Assembly                   |
| 106   | 2029J       |     | Nut, Weld                        |

| Ref # | Part Number | Qty | Description  |
|-------|-------------|-----|--|
| 111   | 179292X421  |     | Bracket, Gauge, Wheel LH   |
| 112   | 179293X421  |     | Bracket, Gauge, Wheel RH   |
| 113   | 17060510    |     | Screw 3/8-16 x .625  |
| 114   | 73510500    |     | Nut, Keps 5/16 - 18 UNC  |
| 115   | 72110505    |     | Bolt, Carriage 5/16-18 x 5/8   |
| 116   | 4898H       |     | Bolt, Shoulder   |
| 117   | 165746      |     | Wheel, Gauge   |
| 118   | 73930600    |     | Nut Centerlock 3/8-16  |
| 119   | 19121414    |     | Washer 3/8 x 7/8 x 14 Ga.  |
| 132   | 17060612    |     | Screw 3/8-16 x .75   |
| 142   | 165890      |     | Arm Spring Brake Mower   |
| 143   | 157109      |     | Bracket Arm Idler 42"  |
| 144   | 173441      |     | Keeper Belt 42" Clutch Cable   |
| 145   | 173437      |     | Pulley Idler Flat  |
| 146   | 173443      |     | Bolt Carriage Idler  |
| 147   | 179748      |     | Spring Extension   |
| 148   | 169022      |     | Spring Return Idler  |
| 149   | 165898      |     | Retainer Spring Yellow   |
| 150   | 19091216    |     | Washer 9/32 x 3/4 x 16 Ga.   |
| 151   | 169670      |     | Bracket Clutch Cable   |
| 152   | 169676      |     | Clutch Cable 42"   |
| 153   | 169674      |     | Washer Flat 3/8" Type B  |
| 154   | 169675      |     | Spring Retainer  |
| 155   | 169671      |     | Spring Retention LVR CLTCH CAB   |
| 156   | 169672      |     | Spacer Clutch Cable  |
| 157   | 169669      |     | Rod Clutch Cable 3/8"  |
| 158   | 17720408    |     | Screw Hex Thd Cut 1/4-20 x 1/2   |
| 159   | 72140614    |     | Bolt Rdhd Sqn 3/8-16 UNC x 1-3/4   |
| 182   | 179126      |     | Rod Roller Nose  |
| 183   | 163552      |     | Retainer Spring  |
|       | 130794      |     | Mandrel Assembly (Includes Housing, Shaft and Shaft Hardware Only-Pulley Not Included) |
|       | 172559      |     | Replacement Mower, Complete  |



| Ref # | Part Number | Qty | Description                      |
|-------|-------------|-----|----------------------------------|
| 1     | 159460      |     | Wire Asm Inner/Sprg W/plunger LT |
| 2     | 159471      |     | Shaft Asm Lift RH w/Inf          |
| 3     | 105767X     |     | Pin Groove 1 500 Zinc            |
| 4     | 12000002    |     | E Ring #5133-62                  |
| 5     | 19211621    |     | Washer 21/32 X 1 X 21 Ga         |
| 6     | 120183X     |     | Bearing Nylon Blk 629 Id         |
| 7     | 125631X     |     | Grip Handle                      |
| 8     | 170770      |     | Button Plunger Yellow            |
| 11    | 139865      |     | Link Lift LH Fixed Length        |
| 12    | 139866      |     | Link Lift RH Fixed Length        |
| 13    | 4939M       |     | Retainer Spring                  |
| 15    | 173288      |     | Link Front                       |
| 16    | 73350800    |     | Nut Jam Hex 1/2-13 Unc           |
| 17    | 175689      |     | Trunnion Blk Zinc                |
| 18    | 73800800    |     | Nut Lock w/Wsh 1/2-13 Unc        |
| 19    | 139868      |     | Arm Suspension Rear              |
| 20    | 163552      |     | Retainer Spring                  |
| 23    | 110807X     |     | Nut Special                      |
| 24    | 19131016    |     | Washer 13/32 X 5/8 X 16 Ga       |
| 25    | 2876H       |     | Spring 2-1/8"                    |
| 26    | 169484      |     | Retainer Clip                    |
| 27    | 126971X     |     | Rod Adj Lift Zinc 7.49 Wrk Lg    |
| 28    | 73350600    |     | Nut Hex Jam 3/8-16 Unc           |
| 29    | 138057      |     | Knob Inf 3/8-16 Unc Blk W/sym    |
| 30    | 150233      |     | Trunnion Infin Height            |
| 31    | 169865      |     | Bearing Pvt Lift                 |
| 32    | 73540600    |     | Nut Crownlock 3/8 - 24           |
| 36    | 155097      |     | Pointer Height Indicator         |
| 37    | 123935X     |     | Plug Hole Blk 1.485/1.515 Dia.   |
| 38    | 17060516    |     | Screw Thdrol 5/16-18 x 1         |
| 40    | 19112410    |     | Washer 11/32 x 1-1/2 10 Ga.      |
| 41    | 155098      |     | Indicator Height STLT            |
| 49    | 145212      |     | Nut Hex Flange Lock              |
| 50    | 110452X     |     | Nut PUSh Phos & Oil              |

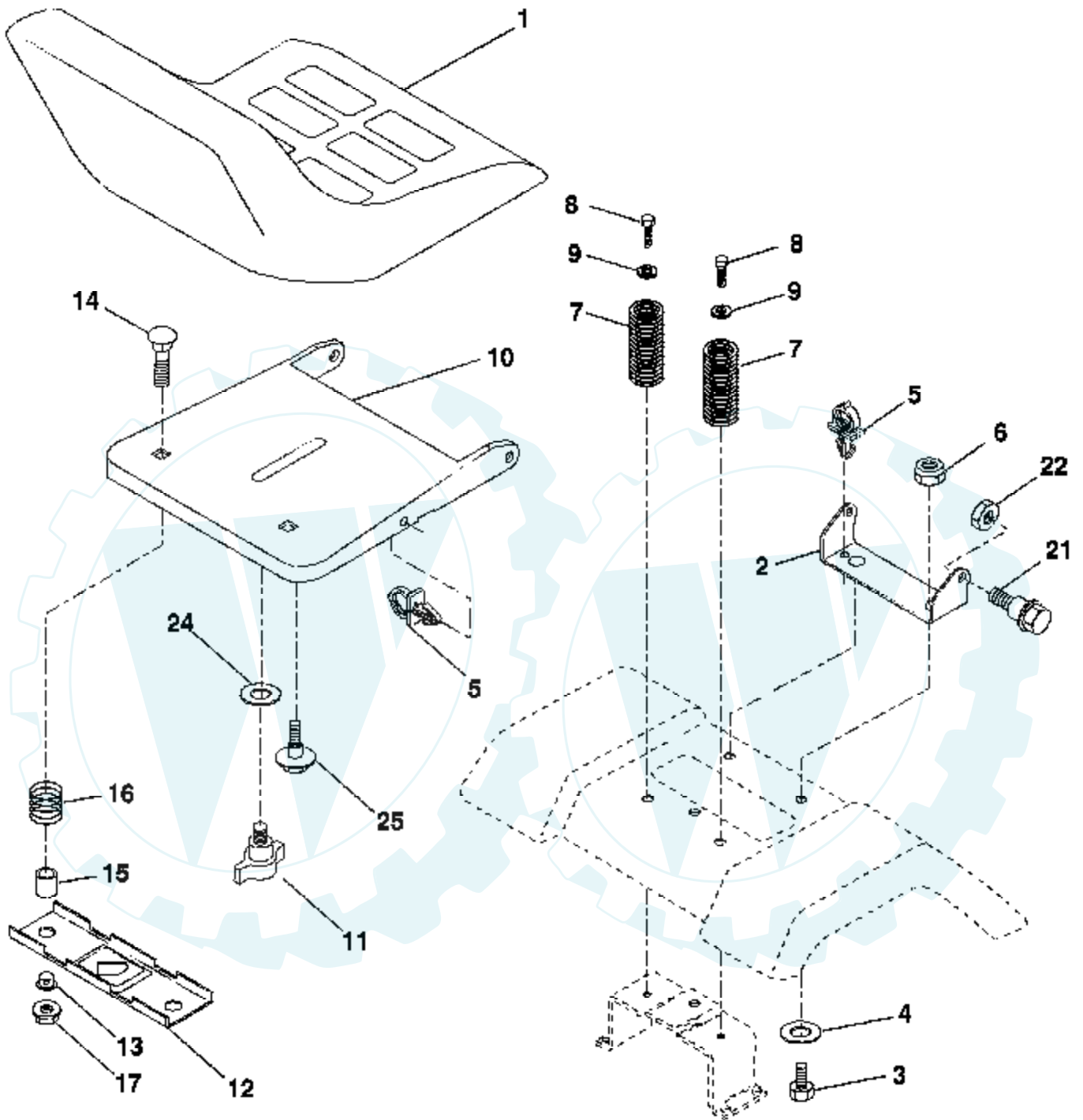




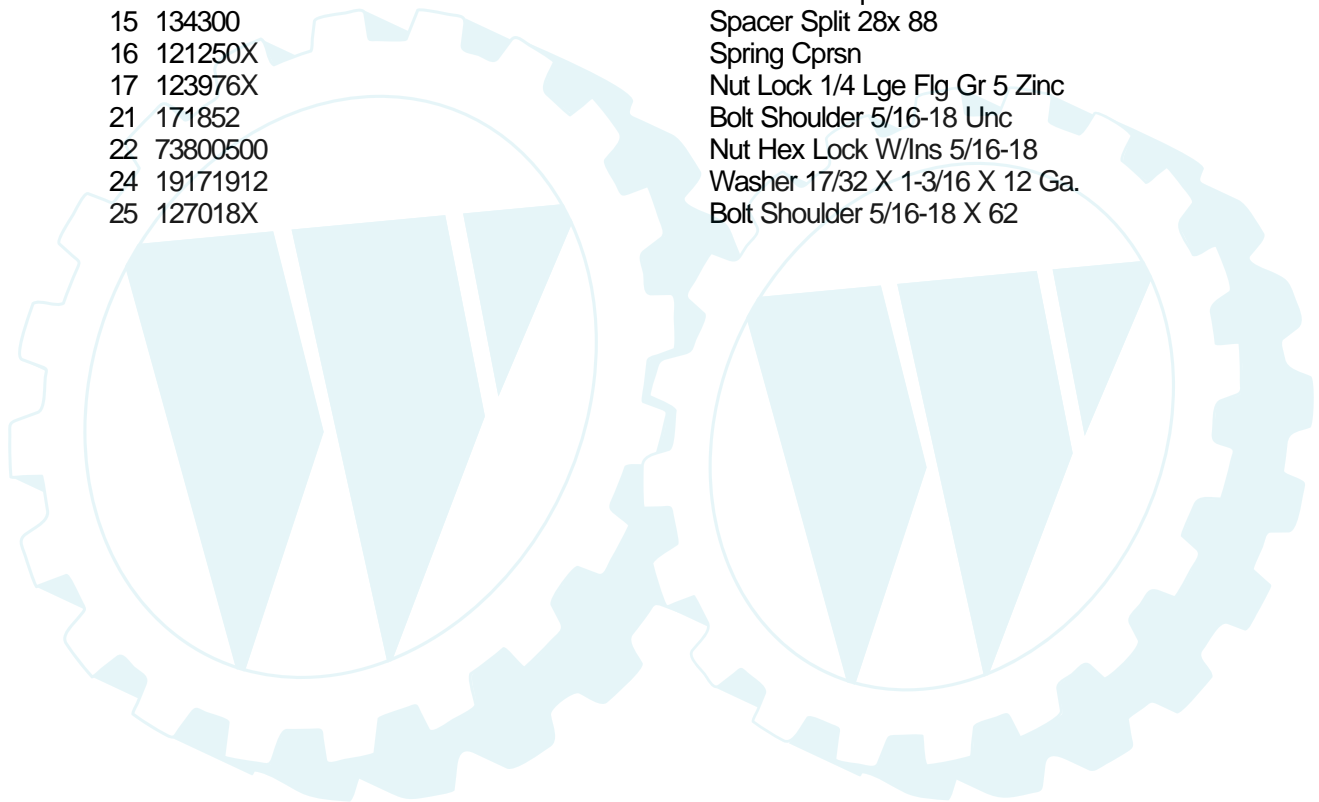
**WIRING INSULATED CLIPS**

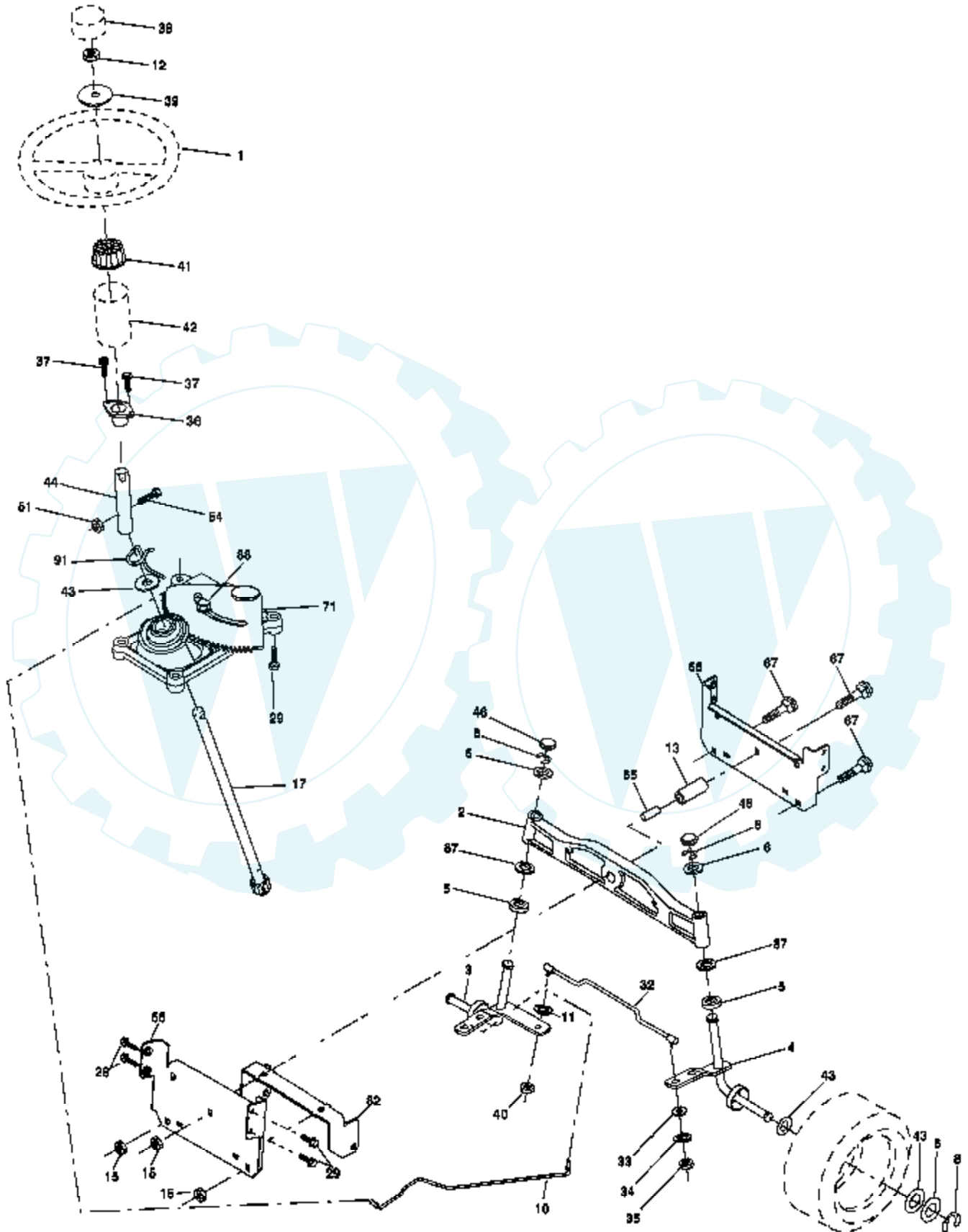
NOTE: IF WIRING INSULATED CLIPS WERE REMOVED FOR SERVICING OF UNIT, THEY SHOULD BE REPLACED TO PROPERLY SECURE YOUR WIRING.

Der Ersatzteilspezialist im Internet.

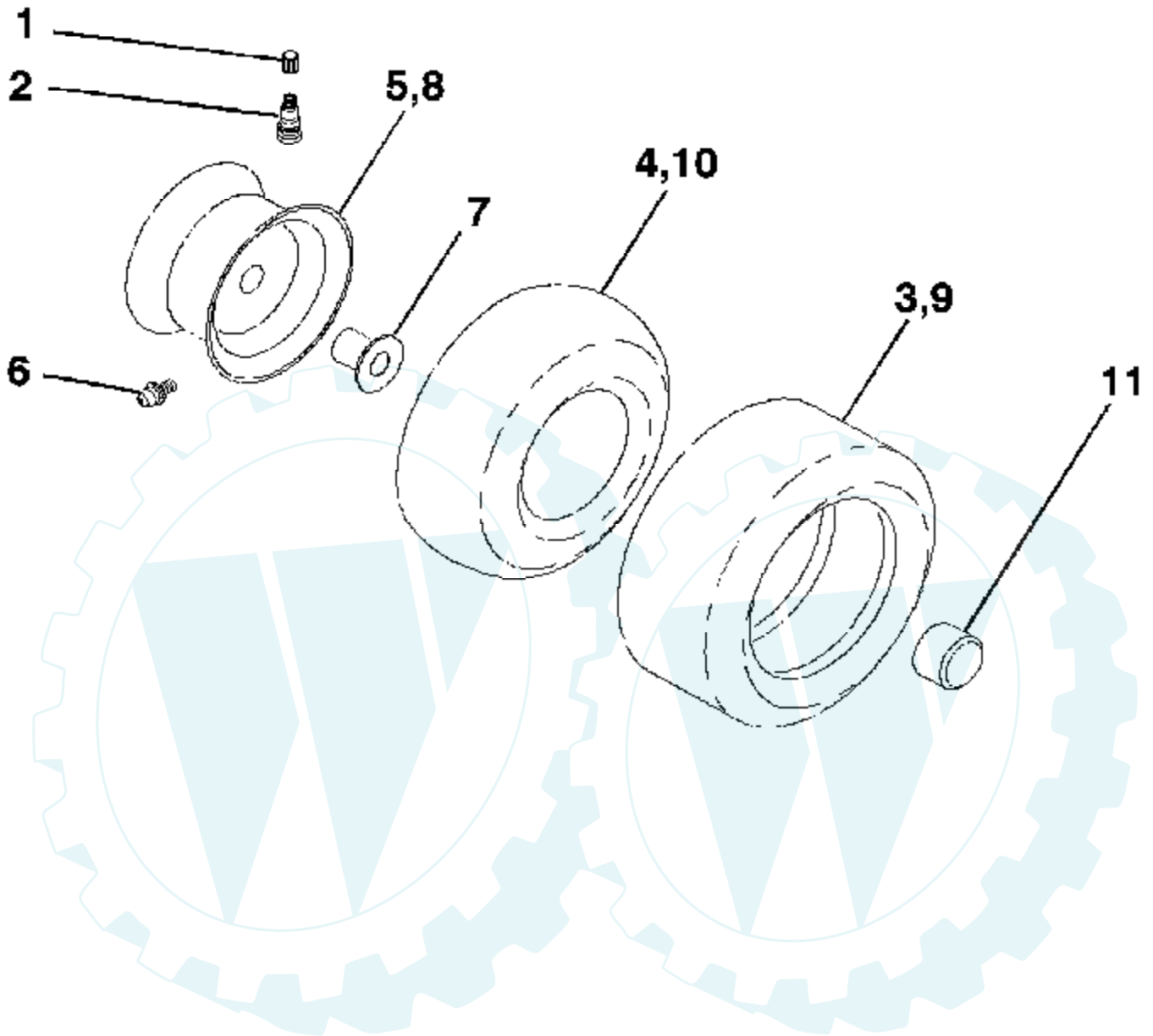


| Ref # | Part Number | Qty | Description                    |
|-------|-------------|-----|--------------------------------|
| 1     | 171683      |     | Seat                           |
| 2     | 140551      |     | Bracket Pivot Seat 8 720       |
| 3     | 71110616    |     | Bolt Fin Hex 3/8-16 Unc X 1    |
| 4     | 19131610    |     | Washer 13/32 X 1 X 10 Ga       |
| 5     | 145006      |     | Clip Push-In                   |
| 6     | 73800600    |     | Nut Hex w/Ins. 3/8-16 Unc      |
| 7     | 124181X     |     | Spring Seat Cprsn 2 250 Blk Zi |
| 8     | 17000616    |     | Screw 3/8-16 X 1.5             |
| 9     | 19131614    |     | Washer 13/32 X 1 X 14 Ga.      |
| 10    | 182493      |     | Pan Seat                       |
| 11    | 166369      |     | Knob Seat                      |
| 12    | 121246X     |     | Bracket Mounting Switch        |
| 13    | 121248X     |     | Bushing Snap Blk Nyl 50 Id     |
| 14    | 72050412    |     | Bolt Rdhd Sqnk 1/4-20x1-1/2    |
| 15    | 134300      |     | Spacer Split 28x 88            |
| 16    | 121250X     |     | Spring Cprsn                   |
| 17    | 123976X     |     | Nut Lock 1/4 Lge Flg Gr 5 Zinc |
| 21    | 171852      |     | Bolt Shoulder 5/16-18 Unc      |
| 22    | 73800500    |     | Nut Hex Lock W/Ins 5/16-18     |
| 24    | 19171912    |     | Washer 17/32 X 1-3/16 X 12 Ga. |
| 25    | 127018X     |     | Bolt Shoulder 5/16-18 X 62     |





| Ref # | Part Number | Qty | Description                            |
|-------|-------------|-----|--|
| 1     | 180656      |     | Wheel Steering                         |
| 2     | 172393      |     | Axle Asm Cast Iron LT                  |
| 3     | 169840      |     | Spindle Asm LH                         |
| 4     | 169839      |     | Spindle Asm RH                         |
| 5     | 6266H       |     | Bearing Race Thrust Harden             |
| 6     | 121748X     |     | Washer 25/32 X 1-5/8 X 16 Ga           |
| 8     | 12000029    |     | Ring Klip #5304-75                     |
| 10    | 175121      |     | Link Drag                              |
| 11    | 10040600    |     | Washer Lock Hvy Hlcl Spr 3/8           |
| 12    | 73940800    |     | Nut Hex Jam Toplock 1/2-20 UNF         |
| 13    | 136518      |     | Spacer Brg. Axle Front                 |
| 15    | 145212      |     | Nut Hex Flange Lock                    |
| 17    | 180641      |     | Shaft Asm. Steering                    |
| 29    | 17060612    |     | Screw 3/8-16x.75                       |
| 32    | 171888      |     | Rod Tie                                |
| 33    | 19111216    |     | Washer 11/32 x 3/4 x 16 Ga.            |
| 34    | 10040500    |     | Washer Lock Hvy Hlcl Spr 5/16          |
| 35    | 73540500    |     | Crownlock Nut 5/16-24                  |
| 36    | 155099      |     | Bushing Strg                           |
| 37    | 152927      |     | Screw                                  |
| 38    | 180657      |     | Insert Cap Strg Wh Au                  |
| 39    | 19182411    |     | Washer 9/16 ID x 1 1/2 OD 11 Gr.       |
| 40    | 7810H       |     | Lock nut                               |
| 41    | 159945      |     | Adaptor Wheel Strg                     |
| 42    | 145054X428  |     | Boot Steering Dash/                    |
| 43    | 121749X     |     | Washer 25/32 X 1 1/ OD 11 Gr.4 X 16 Ga |
| 44    | 180640      |     | Extension Steering Shaft               |
| 46    | 121232X     |     | Cap Spindle Fr Top Blk                 |
| 51    | 73540400    |     | Nut Crownlock 1/4-28                   |
| 54    | 71130420    |     | Bolt Hex 1/4-28 UNF x 1-1/4 Gr. 8      |
| 65    | 160367      |     | Brace Axle                             |
| 67    | 72140618    |     | Bolt Rdhd Sq 3/8-16 Unc x 2-1/4        |
| 68    | 169827      |     | Axle, Brace                            |
| 71    | 175146      |     | Steering Asm.                          |
| 82    | 169835      |     | Bracket Susp. Chassis Front            |
| 87    | 173966      |     | Washer Flat .781 x 1-1/2 x .14         |
| 88    | 175118      |     | Bolt Shoulder 7/16-20 Unc              |
| 91    | 175553      |     | Clip Steering                          |



| Ref # | Part Number | Qty | Description                       |
|-------|-------------|-----|-----------------------------------|
| 1     | 59192       |     | Cap Valve Tire                    |
| 2     | 65139       |     | Stem Valve                        |
| 3     | 170455      |     | Tire F Ts 15 X 6 0 - 6 Service    |
| 4     | 59904       |     | Tube Front (Service Item Only)    |
| 5     | 106732X421  |     | Rim Asm 6"front Service           |
| 6     | 278H        |     | Fitting Grease (Front Wheel Only) |
| 7     | 9040H       |     | Bearing Flange (Front Wheel Only) |
| 8     | 106108X421  |     | Rim Asm 8"rear Service            |
| 9     | 170456      |     | Tire R Ts 20x10-8 C Service       |
| 10    | 7152J       |     | Tube Rear (Service Item Only)     |
| 11    | 104757X421  |     | Cap Axle 1 50 X 1 00              |
|       | 144334      |     | Sealant, Tire (10 oz. Tube)       |

