

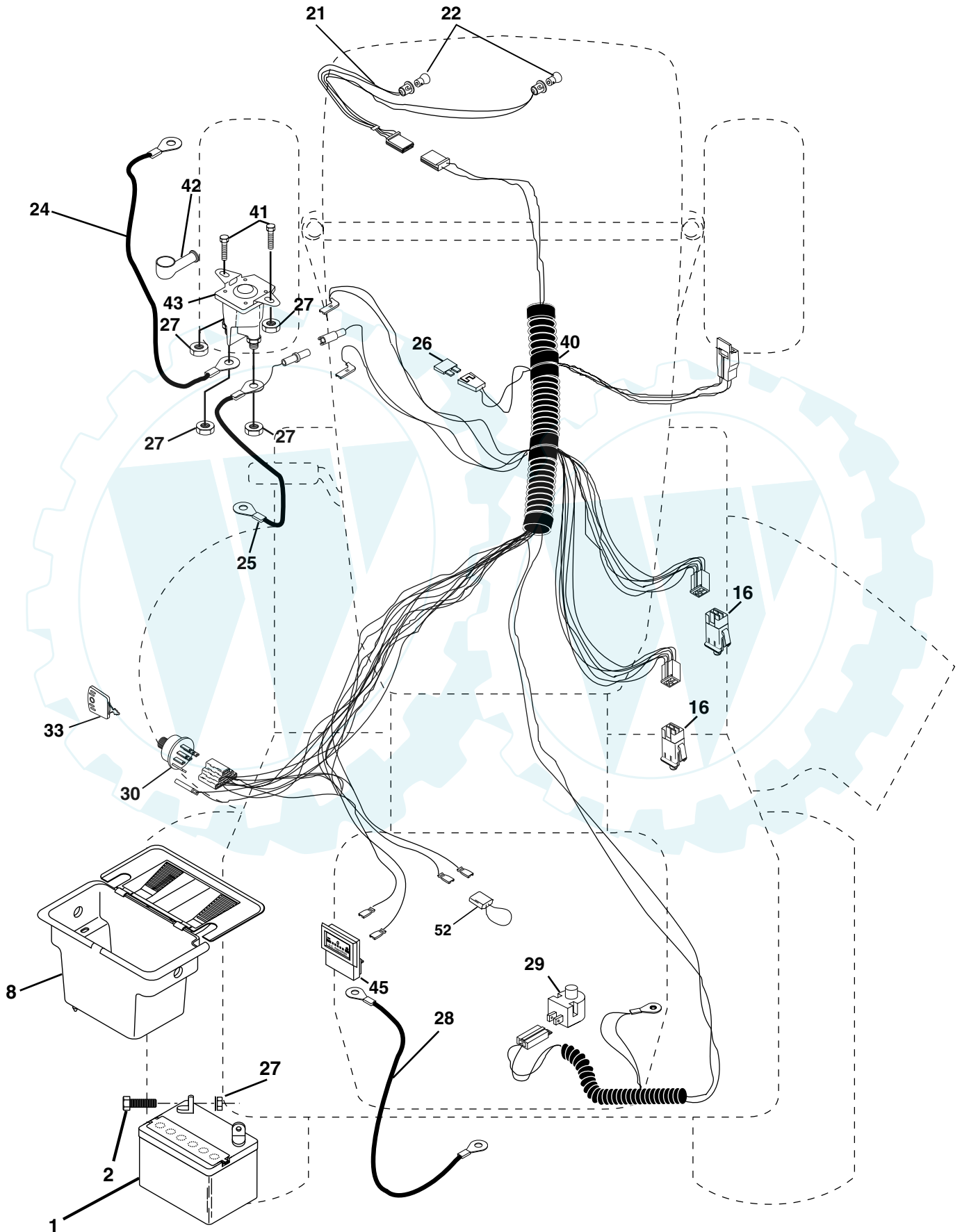


# REPAIR PARTS

[www.ersatzteil-service.de](http://www.ersatzteil-service.de)

## TRACTOR - - MODEL NUMBER PR1742STB

### ELECTRICAL



# REPAIR PARTS

## TRACTOR - - MODEL NUMBER PR1742STB

### ELECTRICAL

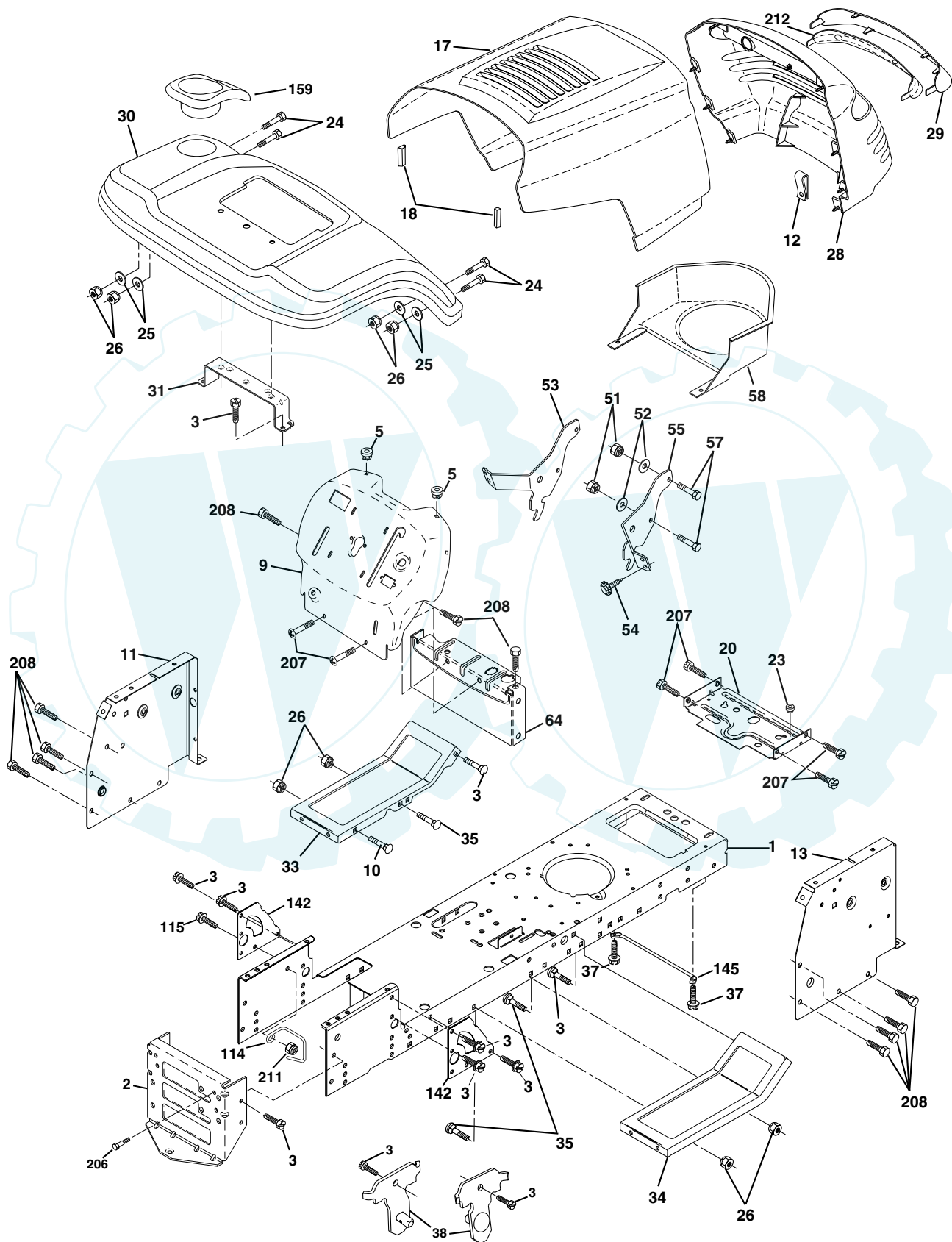
| KEY NO. | PART NO.      | DESCRIPTION                      |
|---------|---------------|----------------------------------|
| 1       | 144925        | Battery 12 Volt 25 Amp           |
| 2       | 74760412      | Bolt Hex Hd 1/4-20unc X 3/4      |
| 8       | 156417        | Case Battery Mech Hinge          |
| 16      | 153664        | Switch Interlock Push-In         |
| 21      | 166181        | Harness Socket Light             |
| 22      | 4152J         | Bulb, Light # 1156               |
| 24      | 4799J         | Cable Battery                    |
| 25      | 146147        | Cable Battery 6 Ga Red w/16 wire |
| 26      | <b>175158</b> | Fuse                             |
| 27      | 73510400      | Nut Keps Hex 1/4-20 Unc          |
| 28      | 4207J         | Cable Ground 6ga 12 black        |
| 29      | 121305X       | Switch Plunger Nc Gray           |
| 30      | <b>175566</b> | Switch Ign                       |
| 33      | 140401        | Key Ign Molded Generic           |
| 40      | 170217        | Harness Ign                      |
| 41      | 71110408      | Bolt Fin Hex 1/4-20uncx 1/2      |
| 42      | 131563        | Cover Terminal Red               |
| 43      | <b>175141</b> | Solenoid                         |
| 45      | 121433X       | Ammeter Rectangular              |
| 52      | 141940        | Protection Loop                  |

**NOTE:** All component dimensions given in U.S. inches  
1 inch = 25.4 mm

# REPAIR PARTS

[www.ersatzteil-service.de](http://www.ersatzteil-service.de)

## TRACTOR - - MODEL NUMBER PR1742STB CHASSIS AND ENCLOSURES



## TRACTOR - - MODEL NUMBER PR1742STB

### CHASSIS AND ENCLOSURES

| KEY NO. | PART NO.          | DESCRIPTION                     |
|---------|-------------------|---------------------------------|
| 1       | 169830            | Chassis                         |
| 2       | 169061            | Drawbar                         |
| 3       | 17060612          | Screw 3/8-16x.75                |
| 5       | 155272            | Bumper Hood/Dash                |
| 9       | 168337X012        | Dash P/L                        |
| 10      | 72140608          | Bolt Carriage 3/8-16 x 1        |
| 11      | 155927            | Panel Dash Lh                   |
| 12      | 145660            | Clip Tinnerman                  |
| 13      | 172108            | Panel Dash Rh                   |
| 17      | 159639X428        | Hood LT/PL                      |
| 18      | 126938X           | Bumper Hood                     |
| 20      | 156437            | Plate Mtg Battery Fuel Tank Fr  |
| 23      | 124028X           | Bushing                         |
| 24      | 74780616          | Bolt Fin Hex 3/8-16 x 1 Gr 5    |
| 25      | 19131312          | Washer 13/32 X 13/16 X 12 Ga    |
| 26      | 73800600          | Nut Lock Hex W/Ins 3/8-16 Unc   |
| 28      | 170474            | Grille LT/PL                    |
| 29      | 170472X599        | Lens LT/PL                      |
| 30      | <b>169470X428</b> | Fender Footrest STLT Pnt        |
| 31      | 136619            | Bracket Support Fender          |
| 33      | 145244X428        | Footrest Pnt Lh                 |
| 34      | 145243X428        | Footrest Pnt Rh                 |
| 35      | 72110606          | Bolt Rdhd Sht Sqnk 3/8-16 x 3/4 |
| 37      | 17490508          | Screw Thdrol 6/16-18 x 1/2 TYT  |
| 38      | 169834            | Bracket Asm. Pivot Mower Rear   |
| 51      | 73800400          | Nut Lock Hex W/Ins 1/4-20       |
| 52      | 19091416          | Washer 9/32 x 7/8 x 16 Ga.      |
| 53      | 144697            | Bracjet Grukke Lh               |
| 54      | 161464            | Screw Hex Wshd 8-18 x 7/8       |
| 55      | 144696            | Bracket Grille Rh               |
| 57      | 74780412          | Bolt Hex 1/4-20 x 3/4           |
| 58      | 150127            | Duct Air                        |
| 64      | 154798            | Dash Lower STLT                 |
| 114     | <b>158112</b>     | Keeper Belt Rear Lh             |
| 115     | <b>17060620</b>   | Screw 3/8-16 x 1-1/4            |
| 142     | 165867            | Plate Reinforcement STLT        |
| 145     | 156524            | Rod Pivot Chassis/Hood          |
| 159     | <b>169473X428</b> | Cupholder                       |
| 206     | 170165            | Bolt Shoulder 5/16-18           |
| 207     | 17670508          | Screw Thdrol 5/16-18 x 1/2      |
| 208     | 17670608          | Screw Thdrol 3/8-16 x 1/2       |
| 211     | <b>145212</b>     | Nut Hex Flange Lock             |
| 212     | 156229            | Insert Lens Reflect P/L LT      |
| --      | <b>5479J</b>      | Plug Button                     |

**NOTE:** All component dimensions given in U.S. inches  
1 inch = 25.4 mm





## TRACTOR - - MODEL NUMBER PR1742STB

### DRIVE

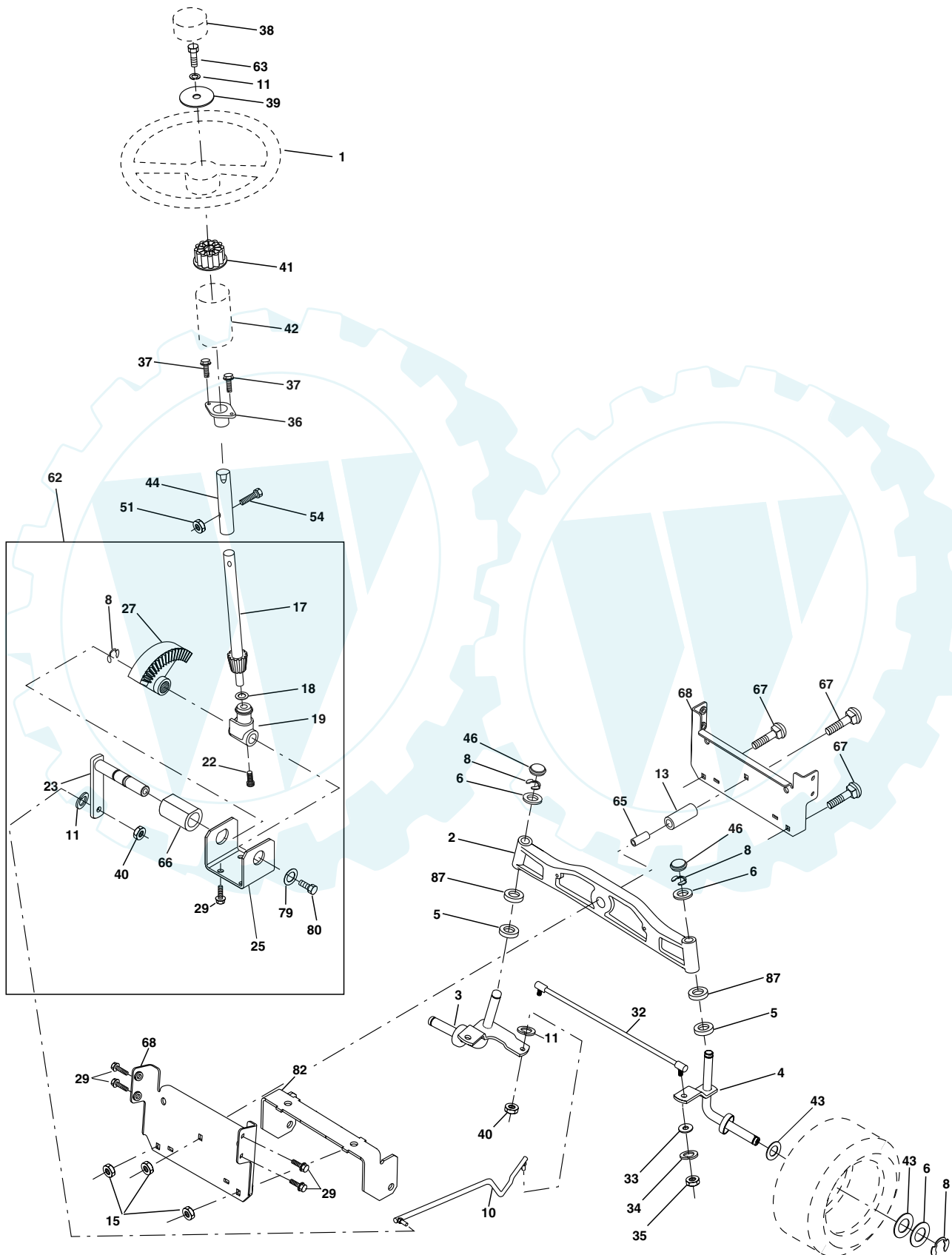
| KEY NO. | PART NO.        | DESCRIPTION  | KEY NO. | PART NO.      | DESCRIPTION                       |
|---------|-----------------|--|---------|---------------|-----------------------------------|
| 1       | -----           | Transaxle Peerless (206-545C)<br>(Order parts from transaxle manufacturer) | 61      | 17060612      | Screw 3/8-16x.75                  |
| 2       | 146682          | Spring Return Brake T/a Zinc   | 62      | 8883R         | Cover Pedal Blk Round             |
| 3       | 123666X         | Pulley Transaxle 18" tires   | 63      | 140186        | Engine Pulley LT/YT               |
| 4       | 12000028        | Ring Retainer #5100-62   | 64      | 71170764      | Bolt Hex                          |
| 5       | 121520X         | Strap Torque 30 Degrees  | 65      | 10040700      | Washer Lock Hvy Hlcl Spr 7/16     |
| 6       | 17060512        | Screw 5/16-18 X 3/4  | 66      | 154778        | Keeper Belt Engine Foolproof      |
| 8       | 165619          | Rod Shift Fender Adjust Lt   | 69      | 142432        | Screw Hex wsh HiLo 1/4 x 1/2 unc  |
| 10      | 76020416        | Pin Cotter 1/8 X 1 Cad   | 70      | 134683        | Guide Belt Mower Drive RH         |
| 11      | 105701X         | Washer Plate Shf 388 Sq Hole   | 72      | 19132012      | Washer 13/32 X 1-1/4 X 12 Ga      |
| 13      | 74550412        | Bolt 1/4-28 Unf Gr 8 W/Patch   | 74      | 137057        | Spacer Axle                       |
| 14      | 10040400        | Washer Lock Hvy Helical  | 75      | 121749X       | Washer 25/32 X 1 1/4 X 16 Ga      |
| 16      | 73800500        | Nut Lock Hex w/ins 5/16-18   | 76      | 12000001      | E-ring #5133-75                   |
| 18      | 74780616        | Bolt, Fin Hex 3/8-16 UNC x 1 Gr. 5   | 77      | 123583X       | Key Square 2 0 X 1845/ 1865       |
| 19      | 73800600        | Nut Lock 3/8-16 Unc  | 78      | 121748X       | Washer 25/32 X 1-5/8 X 16 Ga      |
| 21      | 140845          | Knob   | 79      | 2228M         | Key Woodruff #9 3/16 x 3/4        |
| 22      | 130804          | Rod Brake Blk Zinc 26 840  | 80      | 145090        | Arm Shift                         |
| 24      | 73350600        | Nut Hex Jam 3/8-16 Unc   | 81      | 165592        | Shaft Asm Cross Tapered PMST/20   |
| 25      | 106888X         | Spring Rod Brake 2 00 Zinc   | 82      | 123782X       | Spring Torsion T/a                |
| 26      | 19131316        | Washer 13/32 X 13/16 X 16 Ga   | 83      | 19171216      | Washer 17/32 X 3/4 X 16 Ga        |
| 27      | 76020412        | Pin Cotter 1/8 X 3/4 Cad   | 84      | 166231        | Link Transaxle PMST/20" Zinc      |
| 28      | 145204          | Rod Brake Parking LT/YT  | 85      | 150360        | Nut Lock Center 1/4 - 28 FNTHD    |
| 29      | 71673           | Cap Brake Parking  | 89      | 169372X428    | Console Shift STLT                |
| 30      | 169592          | Bracket Mtg Transaxle  | 96      | 4497H         | Retainer Spring 1"                |
| 32      | 74760512        | Bolt Hex Hd 5/16-18unc X 3/4   | 112     | 19091210      | Washer 9/32 x 3/4 x 10 Ga.        |
| 34      | 155071          | Shaft Asm Pedal Foot   | 113     | 127285X       | Strap Torque LT                   |
| 35      | 120183X         | Bearing Nylon Blk 629 Id   | 116     | 72110610      | Bolt Rdhd Sq Neck 3/8-16 x 1.25   |
| 36      | 19211616        | Washer 21/32 X 1 X 16 Ga   | 145     | 74490540      | Bolt Hex FLGHD 5/16-18 Gr. 5      |
| 37      | 1572H           | Pin Roll 3/16 X 1"   | 150     | 165850        | Bushing Bellcrank                 |
| 38      | 131494          | Pulley Idler Flat  | 151     | 19133210      | Washer 13/32 x 2 x 10             |
| 39      | <b>74760644</b> | Bolt Fin Hex 3/8-16 unc X 2-3/4  | 156     | 166002        | Washer Srrted 5/16ID x 1.125      |
| 40      | 4470J           | Spacer Split 395 X 59 Bzp  | 158     | 165589        | Bracket Shift Mount               |
| 41      | 165838          | Keeper Belt Flat Idler   | 159     | 165494        | Hub Tapered Flange Shift Lt       |
| 42      | 19131312        | Washer 13/32 X 13/16 X 12 Ga   | 161     | 72140406      | Bolt Rdhd Sqnk 1/4-20 x 3/4 Gr    |
| 47      | 127783          | Pulley Idler V Groove Plastic  | 162     | 73680400      | Nut Crownlock 1/4-20 Unc          |
| 48      | 154407          | Bellcrank Asm  | 163     | 74780416      | Bolt Hex Fin 1/4-20 Unc x 1 Gr 5  |
| 49      | 123205X         | Retainer Belt Style Spring   | 164     | 19091010      | Washer 5/8 x .281 x 10 Ga         |
| 50      | 74760624        | Bolt Hex Hd 3/8-16unc X 1-1/2  | 165     | 165623        | Bracket Pivot Lever               |
| 51      | 73680600        | Nut Crownlock 3/8-16 Unc   | 166     | 166880        | Screw 5/16-18 x 5/8               |
| 52      | 73680500        | Nut Crownlock 5/16-18 Unc  | 168     | 165492        | Bolt Shoulder 5/16-18 x .561      |
| 53      | 105710X         | Link Clutch  | 169     | 165580        | Plate Fastening                   |
| 55      | 105709X         | Spring Return Clutch 6 75  | 170     | <b>173898</b> | Keeper Belt Transaxle Gear        |
| 56      | 74760620        | Bolt Fin Hx 3/8-16 X 1/4   | 197     | 169613        | Nyliner Snap-In                   |
| 57      | 130801          | V-Belt Ground Drive 95 25  | 198     | 169593        | Washer Nyliner                    |
| 59      | 169691          | Keeper Belt Span Ctr   | 202     | 72110612      | Bolt Carr Sh 3/8-16 x 1-1/2 Gr. 5 |

**NOTE:** All component dimensions given in U.S. inches  
1 inch = 25.4 mm

# REPAIR PARTS

## TRACTOR - - MODEL NUMBER PR1742STB

### STEERING ASSEMBLY





## TRACTOR - - MODEL NUMBER PR1742STB

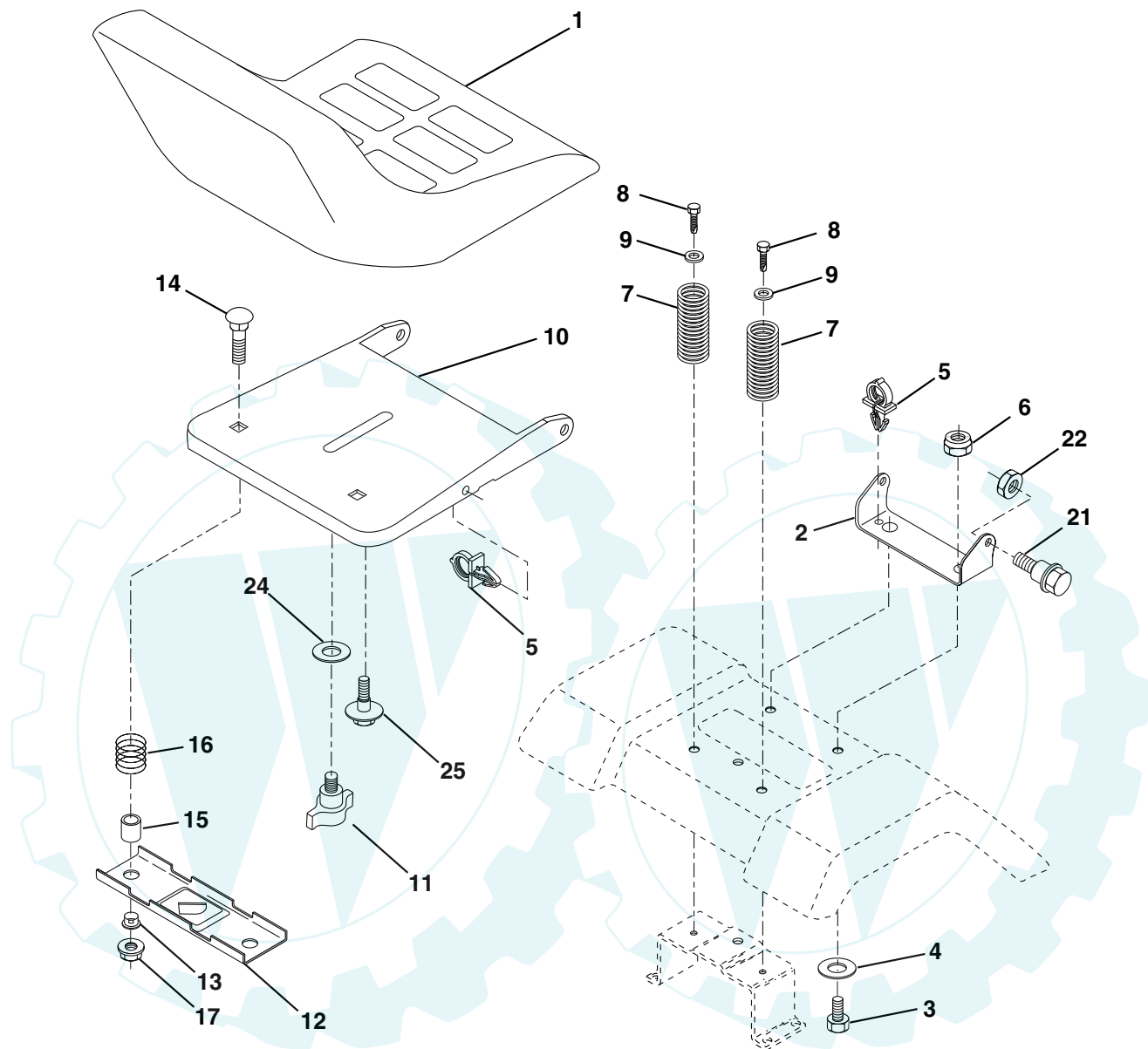
### STEERING ASSEMBLY

| KEY NO. | PART NO.      | DESCRIPTION                      |
|---------|---------------|----------------------------------|
| 1       | 159944X428    | Wheel Steering                   |
| 2       | <b>172393</b> | Axle Asm Cast Iron LT            |
| 3       | 169840        | Spindle Asm LH                   |
| 4       | 169839        | Spindle Asm RH                   |
| 5       | 6266H         | Bearing Race Thrust Harden       |
| 6       | 121748X       | Washer 25/32 X 1-5/8 X 16 Ga     |
| 8       | 12000029      | Ring Klip #t5304-75              |
| 10      | 169832        | Link Drag                        |
| 11      | 10040600      | Washer Lock Hvy Hlcl Spr 3/8     |
| 13      | <b>136518</b> | Spacer Brg. Axle Front           |
| 15      | 145212        | Nut Hex Flange Lock              |
| 17      | 156546        | Shaft Asm Strg                   |
| 18      | 57079         | Washer Thrust 515x 750x 033      |
| 19      | 160395        | Support Shaft                    |
| 22      | 165857        | Screw Hex Wsh Hd Torx            |
| 23      | 165851        | Shaft Asm Pittman                |
| 25      | 154406        | Bracket Steering                 |
| 27      | 136874        | Gear Sector                      |
| 29      | 17060612      | Screw 3/8-16x.75                 |
| 32      | <b>171888</b> | Rod Tie                          |
| 33      | 19111216      | Washer 11/32 x 3/4 x 16 Ga.      |
| 34      | 10040500      | Washer Lock Hvy Hlcl Spr 5/16    |
| 35      | 73540500      | Crownlock Nut 5/16-24            |
| 36      | 155099        | Bushing Strg                     |
| 37      | 152927        | Screw                            |
| 38      | 159946X428    | Insert Cap Strg Wh Au            |
| 39      | 19132411      | Washer 13/32 X 2-3/8 X 12 Ga     |
| 40      | 7810H         | Lock nut                         |
| 41      | 159945        | Adaptor Wheel Strg               |
| 42      | 145054X428    | Boot Steering Dash               |
| 43      | 121749X       | Washer 25/32 X 1 1/4 X 16 Ga     |
| 44      | 153720        | Extension Steering Shaft LR/LT   |
| 46      | 121232X       | Cap Spindle Fr Top Blk           |
| 51      | 73800500      | Nut Lock Hex w/Ins 5/16-18       |
| 54      | 74780520      | Bolt Fin Hex 5/16-18 Unc x 1-1/4 |
| 62      | 167902        | Kit, Steering Assembly Svc       |
| 63      | 74780616      | Bolt Fin Hex 3/8-16unc x 1 Gr. 5 |
| 65      | 160367        | Brace Axle                       |
| 66      | 154404        | Bearing Arm Pittman              |
| 67      | 72140618      | Bolt Rdhd Sq 3/8-16 Unc x 2-1/4  |
| 68      | 169827        | Axle, Brace                      |
| 79      | 19132012      | Washer 13/32 x 1-1/4 x 12 Ga.    |
| 80      | 74950612      | Bolt Hex Nylon 3/8-16 x 3/4      |
| 82      | 169835        | Bracket Susp. Chassis Front      |
| 87      | <b>173966</b> | Washer Flat .781 x 1-1/2 x .14   |

**NOTE:** All component dimensions given in U.S. inches  
1 inch = 25.4 mm

## TRACTOR - - MODEL NUMBER PR1742STB

### SEAT ASSEMBLY



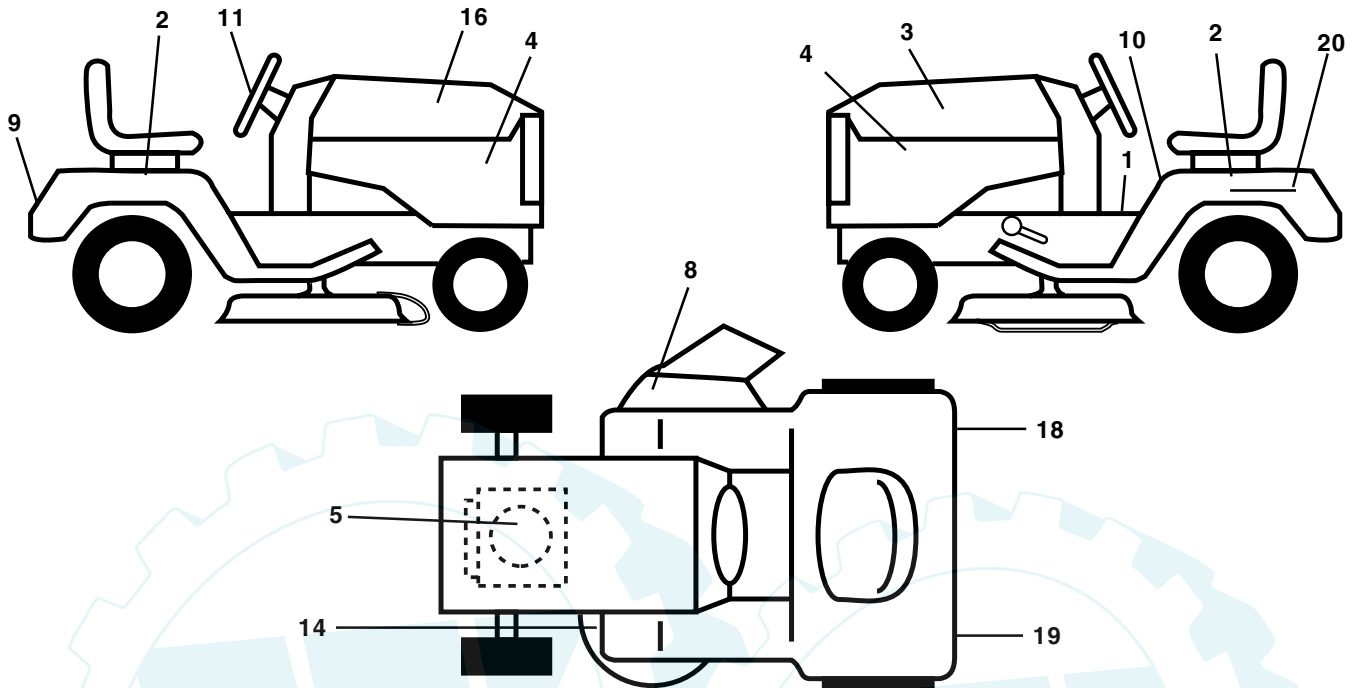
| KEY NO. | PART NO.      | DESCRIPTION                    |
|---------|---------------|--------------------------------|
| 1       | 171683        | Seat                           |
| 2       | 140551        | Bracket Pivot Seat 8 720       |
| 3       | 71110616      | Bolt Fin Hex 3/8-16 Unc X 1    |
| 4       | 19131610      | Washer 13/32 X 1 X 10 Ga       |
| 5       | 145006        | Clip Push-In                   |
| 6       | 73800600      | Nut Hex w/Ins. 3/8-16 Unc      |
| 7       | 124181X       | Spring Seat Cprsn 2 250 Blk Zi |
| 8       | 17000616      | Screw 3/8-16 X 1.5             |
| 9       | 19131614      | Washer 13/32 X 1 X 14 Ga.      |
| 10      | <b>174894</b> | Pan Seat                       |
| 11      | 166369        | Knob Seat                      |

| KEY NO. | PART NO. | DESCRIPTION                    |
|---------|----------|--------------------------------|
| 12      | 121246X  | Bracket Mounting Switch        |
| 13      | 121248X  | Bushing Snap Blk Nyl 50 Id     |
| 14      | 72050412 | Bolt Rdhd Sqnk 1/4-20x1-1/2    |
| 15      | 134300   | Spacer Split 28x 88            |
| 16      | 121250X  | Spring Cprsn                   |
| 17      | 123976X  | Nut Lock 1/4 Lge Flg Gr 5 Zinc |
| 21      | 171852   | Bolt Shoulder 5/16-18 Unc      |
| 22      | 73800500 | Nut Hex Lock W/Ins 5/16-18     |
| 24      | 19171912 | Washer 17/32 X 1-3/16 X 12 Ga. |
| 25      | 127018X  | Bolt Shoulder 5/16-18 X 62     |

**NOTE:** All component dimensions given in U.S. inches  
1 inch = 25.4 mm

## TRACTOR - - MODEL NUMBER PR1742STB

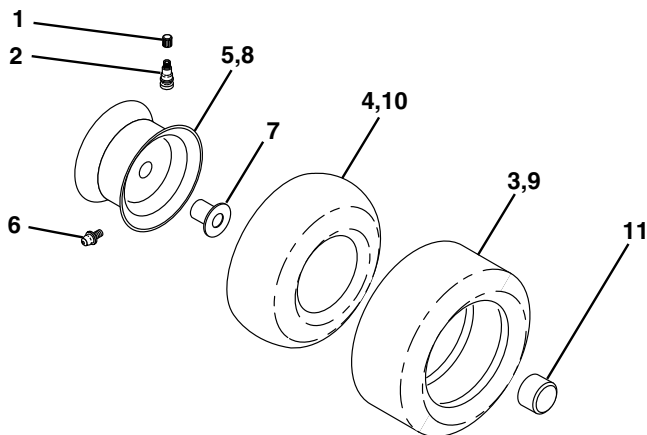
### DECALS



| KEY NO. | PART NO.      | DESCRIPTION                  |
|---------|---------------|------------------------------|
| 1       | 156369        | Decal Oper                   |
| 2       | <b>176305</b> | Decal Fender Side            |
| 3       | <b>176308</b> | Decal Hood LH                |
| 4       | <b>176304</b> | Decal Side Panel Logo        |
| 5       | <b>176679</b> | Decal HP Engine              |
| 8       | 170563        | Decal Warning Multi-Language |
| 9       | 172740        | Decal Fender Logo            |
| 10      | 157140        | Decal Fender Danger E/F      |
| 11      | 172743        | Decal Ins Strg Whl           |

| KEY NO. | PART NO.      | DESCRIPTION                    |
|---------|---------------|--------------------------------|
| 14      | 160396        | Decal V-Belt Schematic         |
| 16      | <b>176307</b> | Decal Hood Rh                  |
| 18      | 173587        | Decal Fender Reflector RH      |
| 19      | 173589        | Decal Fender Reflector LH      |
| 20      | 145005        | Decal Bat Dan/Psn              |
| --      | 133671        | Pad Footrest                   |
| --      | 138311        | Decal Handle Lft Height Adjust |
| --      | <b>175581</b> | Manual Owner's (English)       |
| --      | <b>175583</b> | Manual Owner's (French)        |

### WHEELS AND TIRES



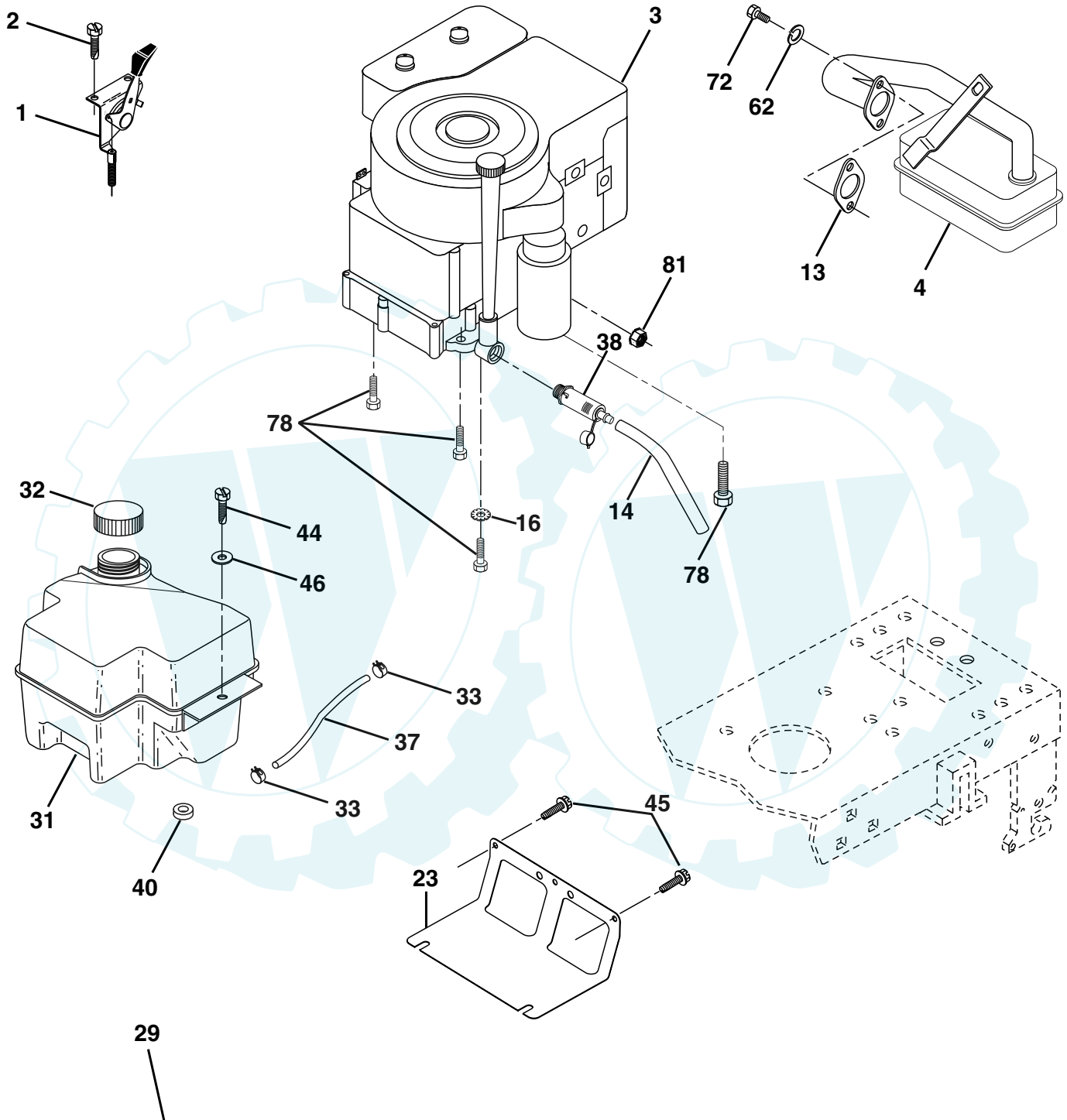
| KEY NO. | PART NO.          | DESCRIPTION                       |
|---------|-------------------|-----------------------------------|
| 1       | 59192             | Cap Valve Tire                    |
| 2       | 65139             | Stem Valve                        |
| 3       | 170455            | Tire F Ts 15 X 6 0 - 6 Service    |
| 4       | 59904             | Tube Front (Service Item Only)    |
| 5       | <b>106732X421</b> | Rim Asm 6"front Service           |
| 6       | 278H              | Fitting Grease (Front Wheel Only) |
| 7       | 9040H             | Bearing Flange (Front Wheel Only) |
| 8       | <b>106108X421</b> | Rim Asm 8"rear Service            |
| 9       | 170456            | Tire R Ts 20x10-8 C Service       |
| 10      | 7152J             | Tube Rear (Service Item Only)     |
| 11      | <b>104757X428</b> | Cap Axle Blk 1 50 X 1 00          |
| --      | 144334            | Sealant, Tire ( 10 oz. Tube)      |

**NOTE:** All component dimensions given in U.S. inches  
1 inch = 25.4 mm

# REPAIR PARTS

## TRACTOR - - MODEL NUMBER PR1742STB

### ENGINE



**OPTIONAL EQUIPMENT**  
**Spark Arrester**

## TRACTOR - - MODEL NUMBER PR1742STB

### ENGINE

| KEY NO. | PART NO.      | DESCRIPTION   |
|---------|---------------|---|
| 1       | <b>170551</b> | Control Th/ch Flag  |
| 2       | 17720410      | Screw Hex Thd Cut 1/4-20x5/8 T  |
| 3       | -----         | Engine, Briggs Model 311777<br>(Order Parts From Engine Manufacturer) |
| 4       | 137352        | Muffler Exhaust   |
| 13      | 165291        | Gasket Muffler  |
| 14      | <b>148456</b> | Tube Drain Oil Easy   |
| 16      | 11050600      | Washer Lock Ext Tooth 3/8   |
| 23      | 169837        | Shield Brn/Dbr Guard  |
| 29      | 137180        | Arrestor Spark  |
| 31      | <b>174642</b> | Tank Fuel Front 2 00  |
| 32      | 140527        | Cap Fuel  |
| 33      | 123487X       | Clamp Hose Black  |
| 37      | 137040        | Line Fuel 20"   |
| 38      | <b>148315</b> | Plug Drain Oil Easy   |
| 40      | 124028X       | Bushing Snap Nyl Blk Fuel Line  |
| 44      | 17670412      | Screw Hex wsh Thdrol 1/4-20x3/4                                       |
| 45      | 17000612      | Screw Hex Wsh Thdrol 3/8-16 x 3/4                                     |
| 46      | 19091416      | Washer 9/32 X 7/8 X 16 Ga   |
| 62      | 10040500      | Washer Lock Hvy Hlcl Spr 5/16   |
| 72      | 71070512      | Screw Hex Hd Cap 5/16-18 x 3/4  |
| 78      | 17060620      | Screw 3/8-16 x 1-1/4  |
| 81      | 73510400      | Nut Keps Hex 1/4-20 Unc   |

**NOTE:** All component dimensions given in U. S. inches 1 inch = 25.4 mm





## TRACTOR - - MODEL NUMBER PR1742STB

### MOWER DECK

| KEY NO. | PART NO.          | DESCRIPTION                      | KEY NO. | PART NO.          | DESCRIPTION  |
|---------|-------------------|----------------------------------|---------|-------------------|--|
| 1       | <b>165892X421</b> | Mower Deck Assembly, 42"         | 68      | 144959            | V-Belt, 42" Mower  |
| 2       | 72140506          | Bolt                             | 90      | 74760616          | Bolt Fin Hex 3/8-16 Unc x 1  |
| 3       | 138017            | Bracket Asm Fr. Sway Bar 3/42    | 91      | 132274            | Bracket Asm. Noseroller LH   |
| 4       | <b>165460X421</b> | Bracket Asm Deck 42" Sway Bar    | 92      | 73800600          | Nut, Lock, Hex W/Ins 3/8-16 UNC  |
| 5       | 4939M             | Retainer Spring                  | 93      | 19171416          | Washer 17/32 x 7/8 x 16 Ga.  |
| 6       | 130832            | Arm, Suspension, Rear            | 94      | 132264            | Roller, Nose   |
| 8       | 850857            | Bolt 3/8-24 x 25 Grade 8 patched | 95      | 132273            | Bracket Asm. Noseroller RH   |
| 9       | 10030600          | Washer, Lock                     | 101     | 136420            | Mulcher Cover  |
| 10      | 140296            | Washer, Hardened                 | 102     | <b>71081010</b>   | Screw  |
| 11      | 134149            | Blade, Mulching 42"              | 103     | 19061216          | Washer, Flat   |
|         | 138498            | Blade Mower 42" Hi-Lift          | 104     | 10071000          | Washer, Lock   |
| 13      | 137645            | Shaft Assembly, Mandrel, Vented  | 105     | 160793            | Latch Assembly   |
| 14      | 128774            | Housing, Mandrel, Vented         | 106     | 2029J             | Nut, Weld  |
| 15      | 110485X           | Bearing, Ball, Mandrel           | 111     | <b>155197X421</b> | Bracket, Gauge, Wheel LH   |
| 16      | 140329            | Stripper, Vented Mower Deck      | 112     | <b>155198X421</b> | Bracket, Gauge, Wheel RH   |
| 18      | 72140505          | Bolt, Carriage 5/16-18 x 5/8     | 113     | <b>17060514</b>   | Screw Tapping 5/16-18 Unc  |
| 19      | 132827            | Bolt, Shoulder                   | 114     | 73510500          | Nut, Keps 5/16 - 18 UNC  |
| 20      | 159770            | Baffle, Vortex                   | 115     | 72110504          | Bolt, Carriage 5/16-18 x 1/2   |
| 21      | <b>73680500</b>   | Nut                              | 116     | 4898H             | Bolt, Shoulder   |
| 22      | <b>134753X421</b> | Stiffener Bracket                | 117     | 165746            | Wheel, Gauge   |
| 23      | <b>131267X421</b> | Bracket, Deflector Mower 42"     | 118     | 73930600          | Nut Centerlock 3/8-16  |
| 24      | 105304X           | Cap, Sleeve 80 x 112 Blk Mower   | 119     | 19121414          | Washer 3/8 x 7/8 x 14 Ga.  |
| 25      | 123713X           | Spring, Torsion, Deflector 2 52  | 121     | <b>173986</b>     | Bracket, Extruded  |
| 26      | 110452X           | Nut, Push Phos & Oil             | 142     | <b>165890X421</b> | Arm Spring Brake Mower   |
| 27      | 130968X428        | Shield, Deflector 42" Blk        | 143     | <b>157109X421</b> | Bracket Arm Idler 42"  |
| 28      | 19111016          | Washer 11/32 x 5/8 x 16 Gauge    | 144     | <b>173441</b>     | Keeper Belt 42" Clutch Cable   |
| 29      | 131491            | Rod, Hinge 42" 6 75 W/G          | 145     | <b>173437</b>     | Pulley Idler Flat  |
| 30      | 157722            | Screw Thdrol Washer Head         | 146     | <b>173443</b>     | Bolt Carriage Idler  |
| 31      | 129963            | Washer, Spacer Mower Vented      | 147     | 131335            | Spring Extension   |
| 32      | <b>173436</b>     | Pulley, Mandrel                  | 148     | 169022            | Spring Return Idler  |
| 33      | 137266            | Nut, Toplock 9/16                | 149     | <b>165898</b>     | Retainer Spring Yellow   |
| 34      | 72110614          | Bolt                             | 150     | 19091216          | Washer 9/32 x 3/4 x 16 Ga.   |
| 35      | 133835            | Fastener, Christmas Tree         | 151     | 169670            | Bracket Clutch Cable   |
| 36      | <b>173438</b>     | Pulley, Idler, Flat              | 152     | 169676            | Clutch Cable 42"   |
| 37      | 19131316          | Washer 13/32 x 13/16 x 16 Gauge  | 153     | 169674            | Washer Flat 3/8" Type B  |
| 40      | 73680600          | Nut                              | 154     | 169675            | Spring Retainer  |
| 44      | 140088            | Guard, Mandrel, LH               | 155     | 169671            | Spring Retention LVR CLTCH CAB   |
| 45      | 4497H             | Retainer                         | 156     | 169672            | Spacer Clutch Cable  |
| 46      | 137729            | Screw, Thdrol 1/4-20 x 5/8 T     | 157     | 169669            | Rod Clutch Cable 3/8"  |
| 48      | 133944            | Washer, Hardened                 | 158     | 17720410          | Screw Hex Thd Cut 1/4-20 x 5/8   |
| 49      | <b>174284</b>     | Roller Assembly, Cam Follower    | 159     | 72140614          | Bolt Rdhd Sqn 3/8-16 UNC x 1-3/4   |
| 50      | 131340            | Bolt, Shoulder #10-24 Grade 5    | --      | 130794            | Mandrel Assembly (Includes Key Numbers 8-10, 12-15, 31 and 33)   |
| 51      | 69180             | Locknut                          | --      | 172559            | Mower Deck, Complete (Standard Deck - Order separately mulcher plate and gauge wheel components Key Nos. 101-106, and 111-121) |
| 52      | 139888            | Bolt, Shoulder 5/16-18 UNC       |         |                   |  |
| 53      | 131845            | Arm Assembly, Pad, Brake         |         |                   |  |
| 54      | 133943            | Washer, Hardened                 |         |                   |  |
| 55      | <b>155046X421</b> | Arm, Idler                       |         |                   |  |
| 56      | 122052X           | Spacer, Retainer                 |         |                   |  |
| 59      | <b>173442</b>     | Guard TUV Idler                  |         |                   |  |
| 67      | <b>106932X</b>    | Knob                             |         |                   |  |

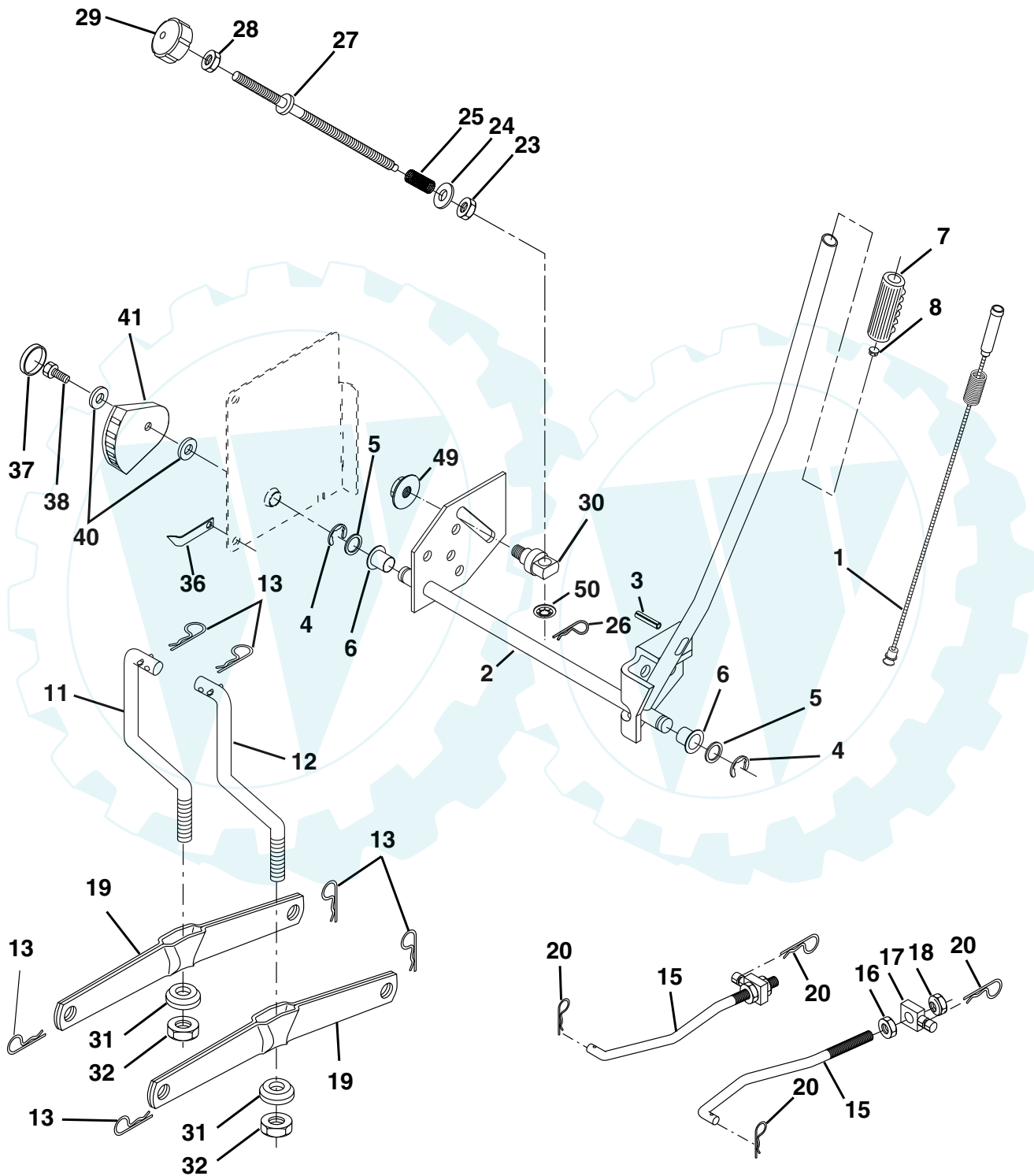
**NOTE:** All component dimensions given in U.S. inches  
1 inch = 25.4 mm

# REPAIR PARTS

[www.ersatzteil-service.de](http://www.ersatzteil-service.de)

## TRACTOR - MODEL NUMBER PR1742STB

### MOWER LIFT



## TRACTOR - MODEL NUMBER PR1742STB

### MOWER LIFT

| KEY NO. | PART NO.        | DESCRIPTION                      |
|---------|-----------------|----------------------------------|
| 1       | 159460          | Wire Asm Inner/Sprg W/plunger LT |
| 2       | 159471          | Shaft Asm Lift RH w/Inf          |
| 3       | 105767X         | Pin Groove 1 500 Zinc            |
| 4       | 12000002        | E Ring #5133-62                  |
| 5       | 19211621        | Washer 21/32 X 1 X 21 Ga         |
| 6       | 120183X         | Bearing Nylon Blk 629 Id         |
| 7       | 125631X         | Grip Handle                      |
| 8       | 170770          | Button Plunger Yellow            |
| 11      | 139865          | Link Lift LH Fixed Length        |
| 12      | 139866          | Link Lift RH Fixed Length        |
| 13      | 4939M           | Retainer Spring                  |
| 15      | 173288          | Link Front                       |
| 16      | 73350800        | Nut Jam Hex 1/2-13 Unc           |
| 17      | 130171          | Trunnion Blk Zinc                |
| 18      | <b>73800800</b> | Nut Lock w/Wsh 1/2-13 Unc        |
| 19      | 139868          | Arm Suspension Rear              |
| 20      | 163552          | Retainer Spring                  |
| 23      | 110807X         | Nut Special                      |
| 24      | 19131016        | Washer 13/32 X 5/8 X 16 Ga       |
| 25      | 2876H           | Spring 2-1/8"                    |
| 26      | 169484          | Retainer Clip                    |
| 27      | 126971X         | Rod Adj Lift Zinc 7.49 Wrk Lg    |
| 28      | 73350600        | Nut Hex Jam 3/8-16 Unc           |
| 29      | 138057          | Knob Inf 3/8-16 Unc Blk W/sym    |
| 30      | 150233          | Trunnion Infin Height            |
| 31      | <b>169865</b>   | Bearing Pvt Lift                 |
| 32      | 73540600        | Nut Crownlock 3/8 - 24           |
| 36      | 155097          | Pointer Height Indicator         |
| 37      | 123935X         | Plug Hole Blk 1.485/1.515 Dia.   |
| 38      | 17060516        | Screw Thdrol 5/16-18 x 1         |
| 40      | 19112410        | Washer 11/32 x 1-1/2 10 Ga.      |
| 41      | 155098          | Indicator Height STLT            |
| 49      | 145212          | Nut Hex Flange Lock              |
| 50      | 110452X         | Nut PUSh Phos & Oil              |

**NOTE:** All component dimensions given in U.S. inches  
1 inch = 25.4 mm