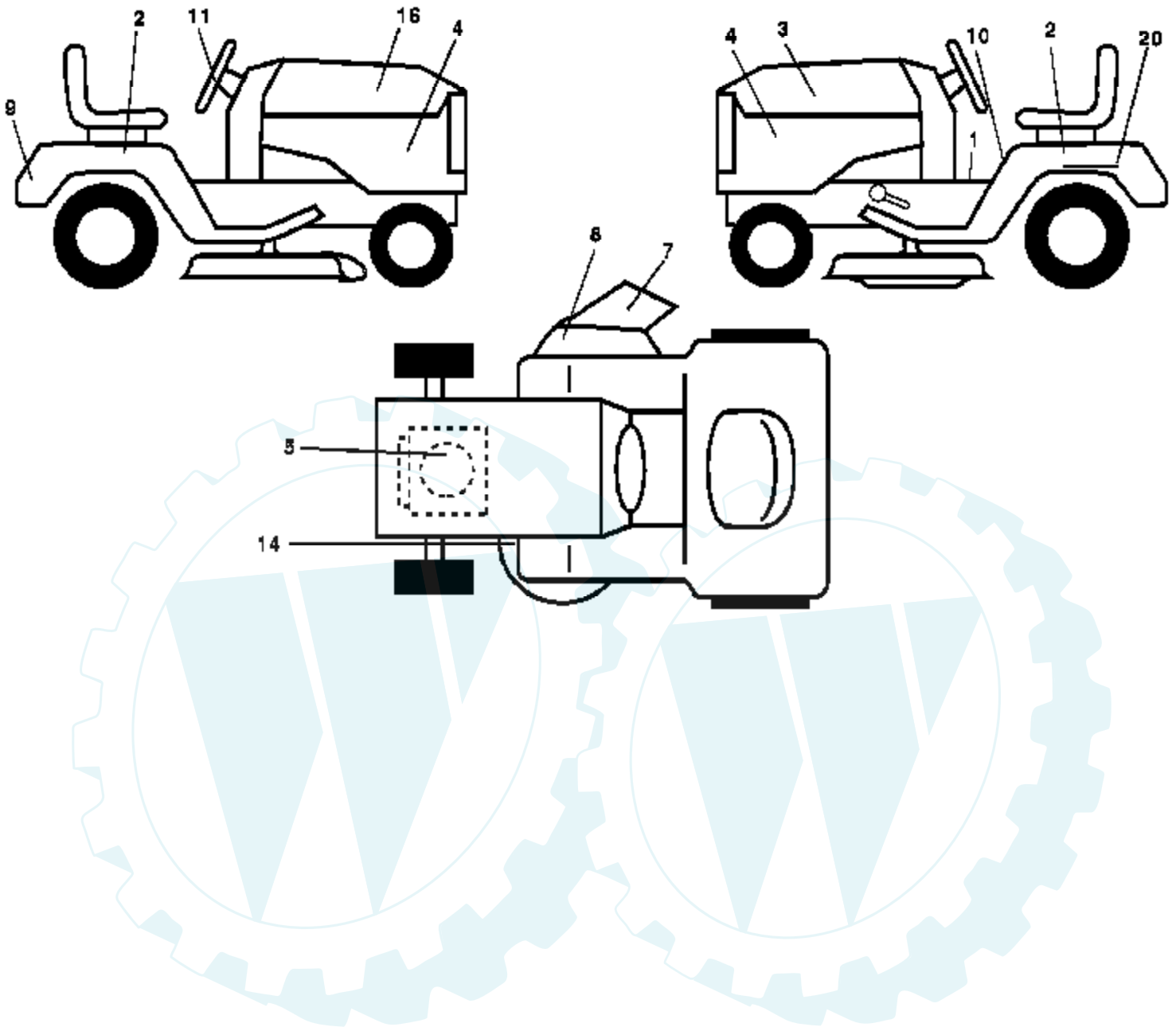
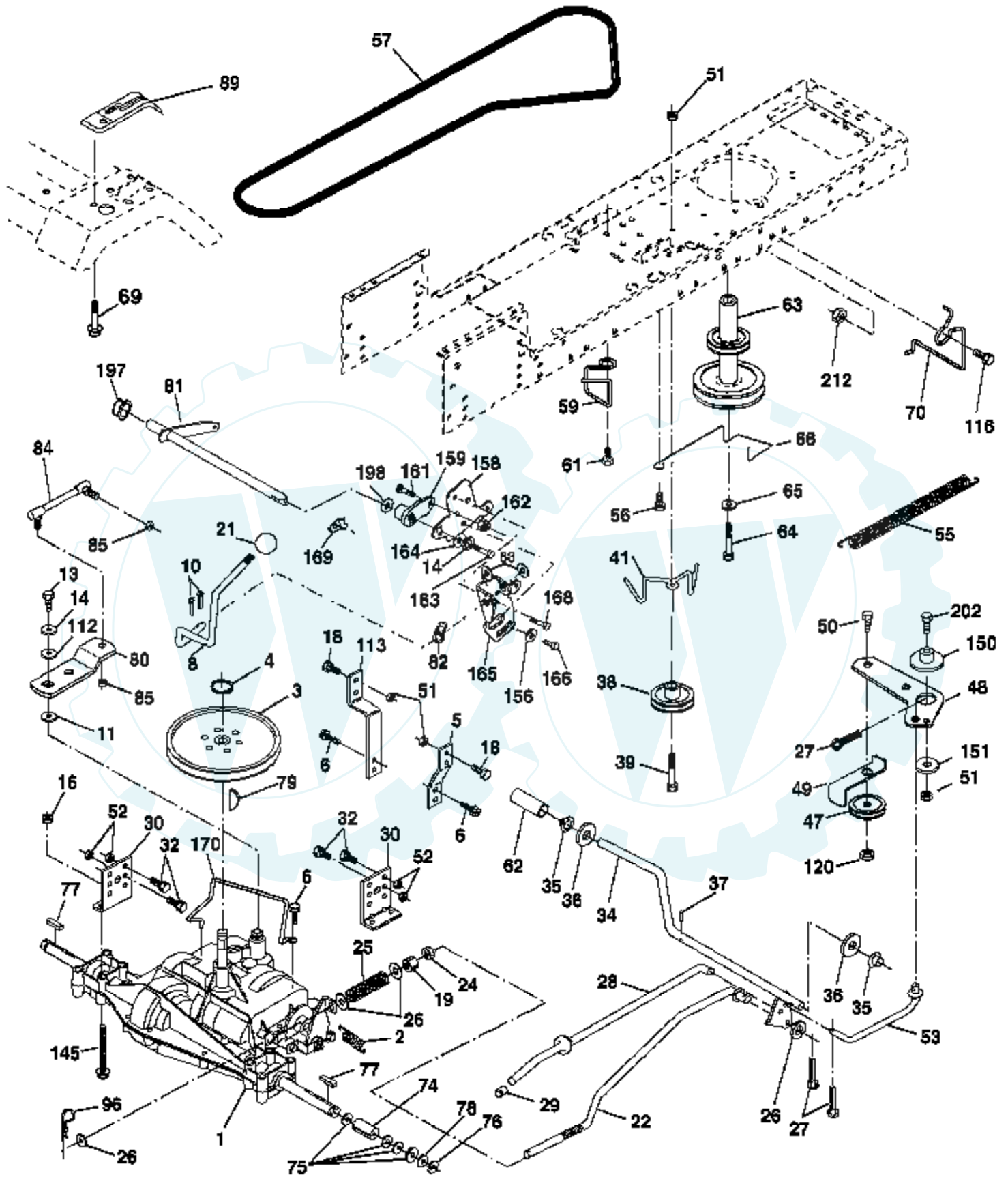


Ref #	Part Number	Qty	Description
1	174619		Chassis
2	176554		Drawbar
3	17060612		Screw 3/8-16 X .75
5	155272		Bumper Hood/Dash
9	168337X012		Dash P/L
10	72140608		Bolt Carriage 3/8-16 x 1
11	174996		Panel Dash Lh
12	145660		Clip Tinnerman
13	172105X010		Panel Dash Rh
14	17490608		Screw Thdrol 3/8 x 16 x 1/2
17	159639X428		Hood LT/PL
18	126938X		Bumper Hood
20	180679		Plate Mtg Battery Fuel Tank Fr
23	124028X		Bushing
24	74780616		Bolt Fin Hex 3/8-16 x 1 Gr 5
25	19131312		Washer 13/32 X 13/16 X 12 Ga
26	73800600		Nut Lock Hex W/Ins 3/8-16 Unc
28	179844		Grille/Lens Asm
29	170472X599		Lens LT/PL
30	169470X428		Fender Footrest Pnt
31	136619		Bracket Fender
33	179716X428		Footrest Pnt Lh
34	179717X428		Footrest Pnt Rh
35	72110606		Bolt Rdhd Sht Sqnk 3/8-16 x 3/4
37	17490508		Screw Thdrol 6/16-18 x 1/2 TYT
38	175710		Bracket Asm Pivot Mower Rear
51	73800400		Nut Lock Hex W/Ins 1/4-20
52	19091416		Washer 9/32 x 7/8 x 16 Ga.
53	144697		Bracjet Grukke Lh
54	161464		Screw Hex Wshd 8-18 x 7/8
55	144696		Bracket Grille Rh
57	74780412		Bolt Hex 1/4-20 x 3/4
58	174930		Duct Air
64	154798		Dash Lower STLT
114	158112		Keeper Belt Rear LH
115	17060620		Screw 3/8-16 x 1-1/4
142	175702		Plate Reinforcement STLT
145	156524		Rod Pivot Chassis/Hood
159	169473X428		Cupholder
206	170165		Bolt Shoulder 5/16-18
207	17670508		Screw Thdrol 5/16-18 x 1/2
208	17670608		Screw Thdrol 3/8-16 x 1/2
211	145212		Nut Hexflange Lock
212	156229		Insert Lens Relect
219	17000512		Screw 5/16-18 x 3/4
	5479J		Plug BTN. Blk



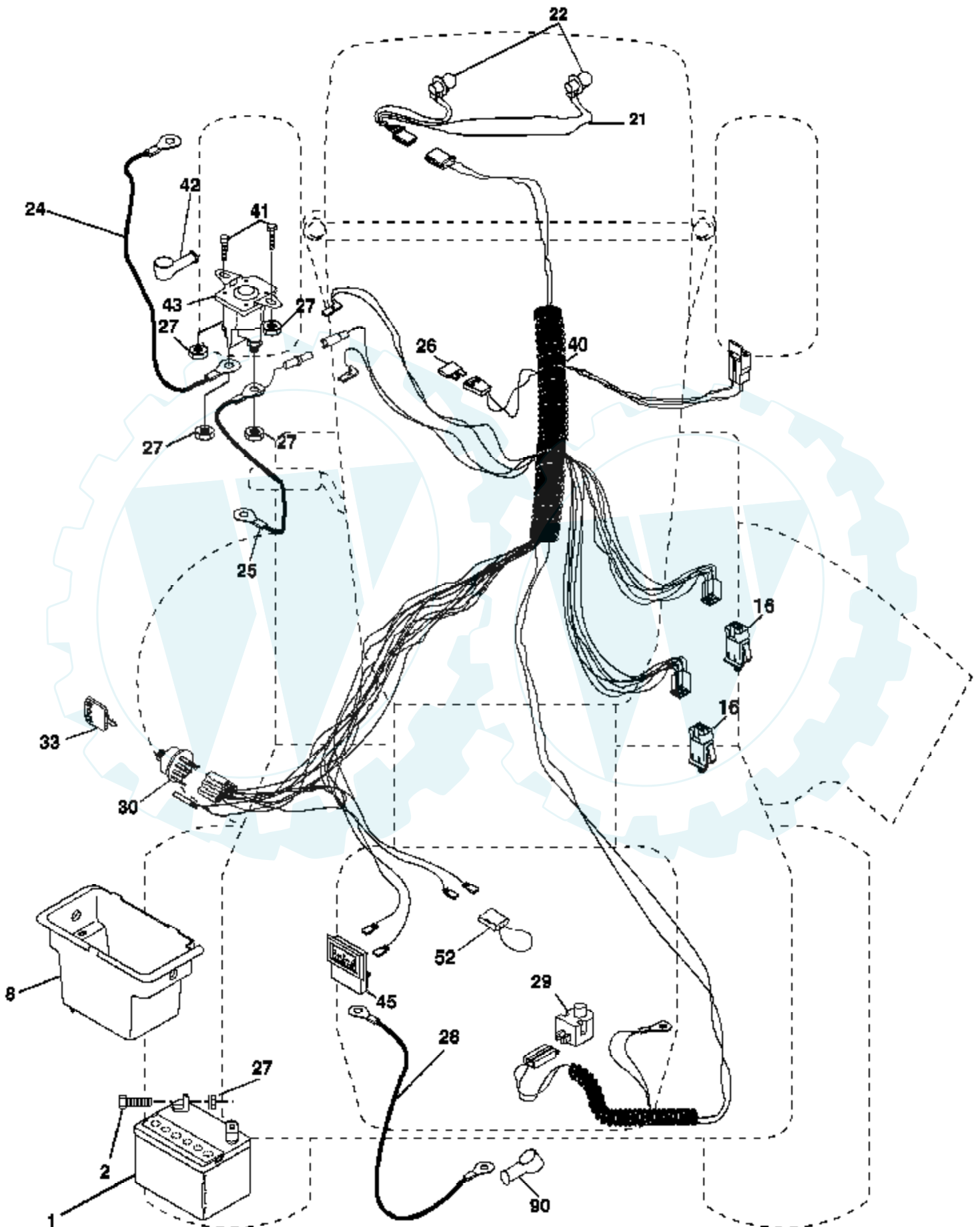
Ref #	Part Number	Qty	Description
1	156369		Decal Oper
2	176305		Decal Fender
3	176308		Decal Hood LH
4	177020		Decal Side Panel Logo
5	180710		Decal HP Engine
7	179128		Decal Deck "B" "42"
8	170563		Decal Mower Warn Keep Hand Away
9	172740		Decal Fender Logo
10	157140		Decal Fender Danger E/F
11	172743		Decal Ins Strg Whl
14	160396		Decal V-Belt Schematic
16	176307		Decal Hood Rh
20	145005		Decal Bat Dan/Psn
	179769X428		Pad Footrest Rh
	179768X428		Pad Footrest Lh
	138311		Decal Handle Lft Height Adjust
	173587		Decal Fend Reflector Rh
	173589		Decal Fend Reflector Lh
	183368		Manual Owner's (English)
	183369		Manual Owner's (French)



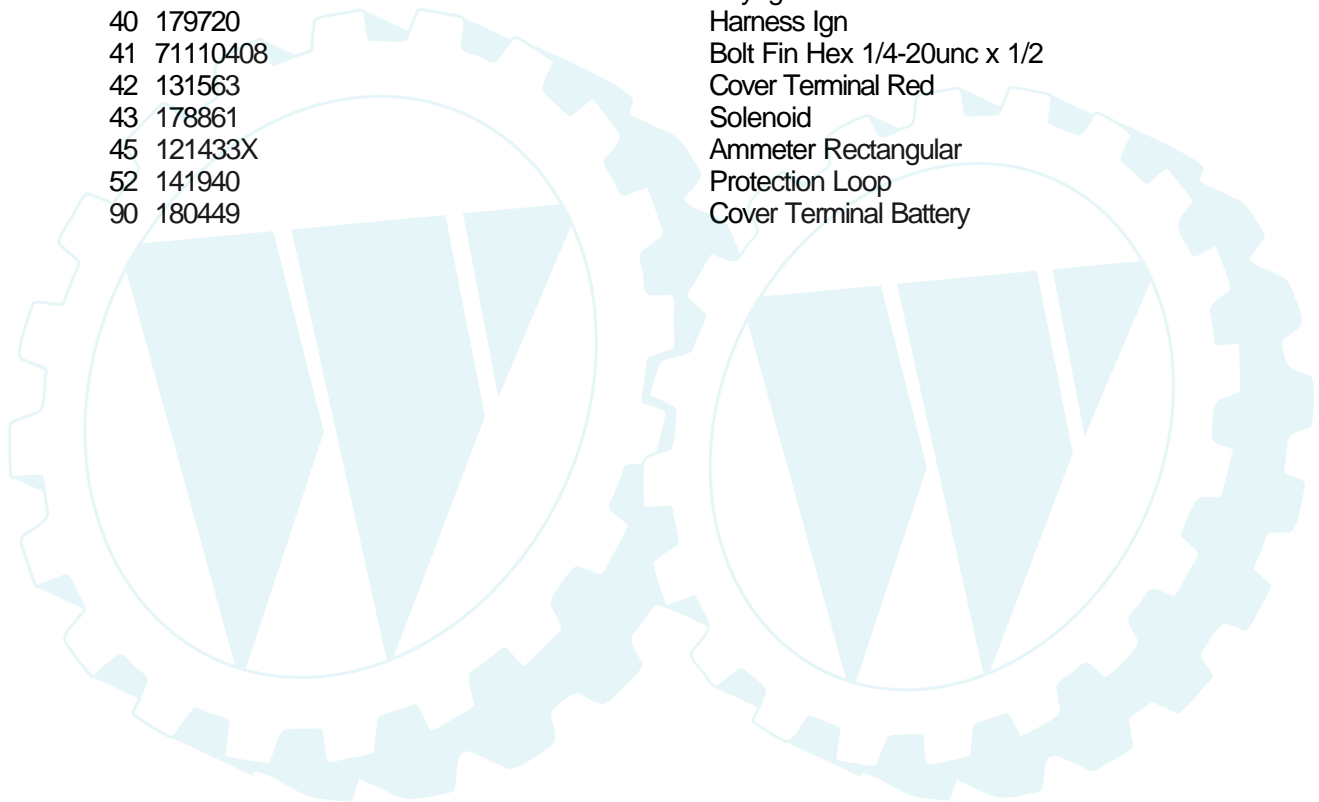


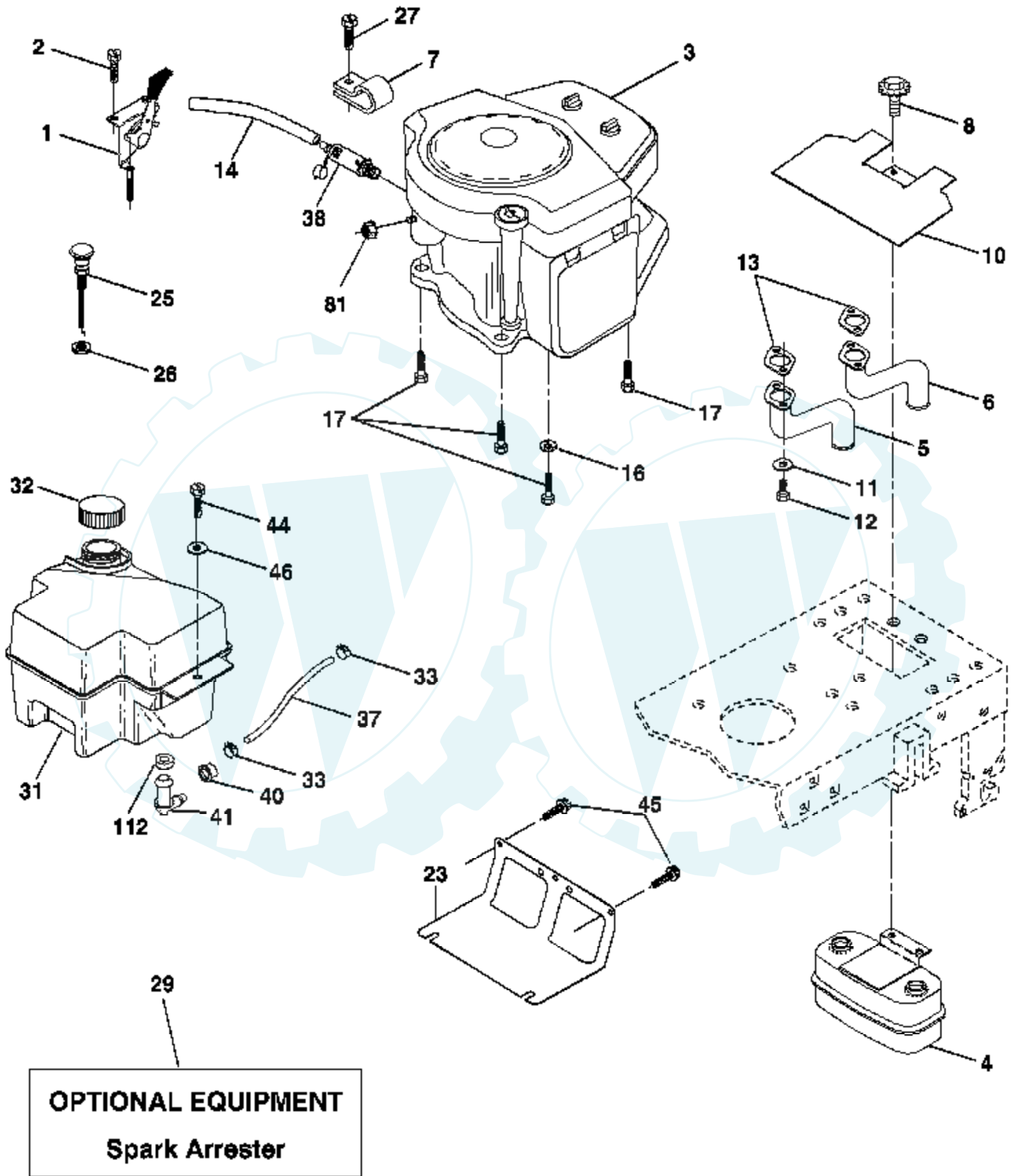
Ref #	Part Number	Qty	Description
1			Transaxle Peerless 206-545C (Order parts from engine manufacturer)
2	146682		Spring Return Brake T/a Zinc
3	123666X		Pulley Transaxle 18/20" tires
4	12000028		Ring Retainer # 5100-62
5	121520X		Strap Torque 30 Degrees
6	17060512		Screw 5/16-18 x 3/4
8	165619		Rod Shifter Fender STL
10	76020416		Pin Cotter 1/8 x 1 Cad
11	105701X		Washer Plate Shf 388 Sq Hole
13	74550412		Bolt 1/4-28unf Gr8 W/Patch
14	10040400		Washer Lock Hvy Helical 1/4
16	73800500		Nut Lock Hex w/Ins. 5/16-18 Unc
18	74780616		Bolt Fin Hex 3/8-16 Unc x 1 Gr 5
19	73800600		Nut Lock Hex w/Ins. 38/-16 Unc
21	140845		Knob Deluxe
22	130804		Rod Brake Blk Zinc 26 840
24	73350600		Nut Hex Jam 3/8-16 Unc
25	106888X		Spring Rod Brake 2 00 Zinc
26	19131316		Washer 13/32 x 13/16 x 16 Ga.
27	76020412		Pin Cotter 1/8 x 3/4 Cad
28	175765		Rod Brake Parking Lt/Yt
29	71673		Cap Brake Parking
30	169592		Bracket Mtg Transaxle
32	74760512		Bolt Hex Hd 5/16-18 Unc x 3/4
34	175578		Shaft Asm Pedal Foot
35	120183X		Bearing Nylon Blk 629 Id
36	19211616		Washer 21/32 x 1 x 16 Ga
37	1572H		Pin Roll 3/16 x 1"
38	179114		Pulley Composite Flat
39	74760648		Bolt Fin Hex 3/8-16unc x 3
41	175556		Keeper Belt Idler
47	127783		Pulley Idler
48	154407		Bellcrank Clutch Grnd Drv STL
49	123205X		Retainer Belt Style Spring
50	74760624		Bolt Hex Hd 3/8-16 Unc x 1-1/2
51	73680600		Nut Crownlock 3/8-16 UNC
52	73680500		Nut Crown Lock 5/16-18
53	105710X		Link Clutch 7 66
55	105709X		Spring Return Clutch 6 75
56	17060620		Screw 3/8-16 x 1-1/4
57	130801		V-Belt Gd Drive
59	169691		Keeper Belt Centerspan
61	17120614		Screw 3/8-16 x .875
62	8883R		Cover Pedal Blk Round
63	175410		Pulley Eng
64	71170764		Bolt Hex 7/16-20 x 4 Gr 5
65	10040700		Washer Lock Hvy Hlcl Spr 7/16
66	154778		Keeper Belt Engine
69	145432		Screw Hex Wsh Hi-Lo 1/4-1/2 Unc
70	134683		Guide Belt Mower Drive RH
74	137057		Spacer Split
75	121749X		Washer 25/32 x 1 1/4 x 16 Ga
76	12000001		E-ring #5133-75
77	123583X		Key Square
78	121748X		Washer 25/32 x 1-5/8 x 16ga
79	2228M		Key Woodruff

Ref #	Part Number	Qty	Description
80	145090		Arm, Shift
81	165592		Shaft Assembly
82	123782X		Spring, Torsion
83	19171216		Washer 17/32 x 3/4 x 16 Gauge
84	166231		Link Transaxle
85	150360		Nut, Nylock
89	169372X428		Console, Shift, STLT
96	4497H		Retainer Spring
112	19091210		Washer 9/32 x 3/4 x 10 Ga
113	127285X		Strap Torque
116	72140608		Bolt Rd Hd Sqnk 3/8-16 x 1 Unc
120	73900600		Nut Lock Flg. 3/8-16 Unc
145	74490540		Bolt Hex Flghd 5/16-18 x Gr.5
150	175456		Spacer Retainer
151	19133210		Washer 13/32 x 2 x 10 Ga.
156	166002		Washer Srrted 5/16ID x 1 .125
158	165589		Bracket Shift Mount
159	165494		Hub Tapered Flange Shift Lt
161	72140406		Bolt Rdhd Sqnk 1/4-20 x 3/4 Gr.5
162	73680400		Nut Crownlock 1/4-20 UNC
163	74780416		Bolt Hex Fin 1/4-20 UNC x 1 Gr.5
164	19091010		Washer 5/8 x .281 x 10 Ga.
165	165623		Bracket Pivot Lever
166	166880		Screw 5/16-18 x 5/8
168	165492		Bolt shoulder 5/16-18 x .561
169	165580		Plate Fastening Lt
170	178394		Keeper Belt T/A
197	169613		Nyliner Snap-In 5/8" ID
198	169593		Washer Nyl 7/8ID x .105"
202	72110612		Bolt Carr Sh 3/8-16 x 1-1/2 Gr.5
212	145212		Nut Hex Flange Lock



Ref #	Part Number	Qty	Description
1	163465		Battery
2	74760412		Bolt Hex Hd 1/4-20unc X 3/4
8	176689		Box Battery Fender
16	176138		Switch Interlock
21	175685		Harness Socket Light with 415J
22	4152J		Bulb, Light # 1156
24	4799J		Cable Battery
25	146147		Cable Battery 6 Ga Red w/16 wire
26	175158		Fuse 20 Amp
27	73510400		Nut Keps Hex 1/4-20 Unc
28	4207J		Cable Ground 6ga 12 black
29	121305X		Switch Plunger Nc Gray
30	175566		Switch Ign
33	140401		Key Ign Molded Generic
40	179720		Harness Ign
41	71110408		Bolt Fin Hex 1/4-20unc x 1/2
42	131563		Cover Terminal Red
43	178861		Solenoid
45	121433X		Ammeter Rectangular
52	141940		Protection Loop
90	180449		Cover Terminal Battery

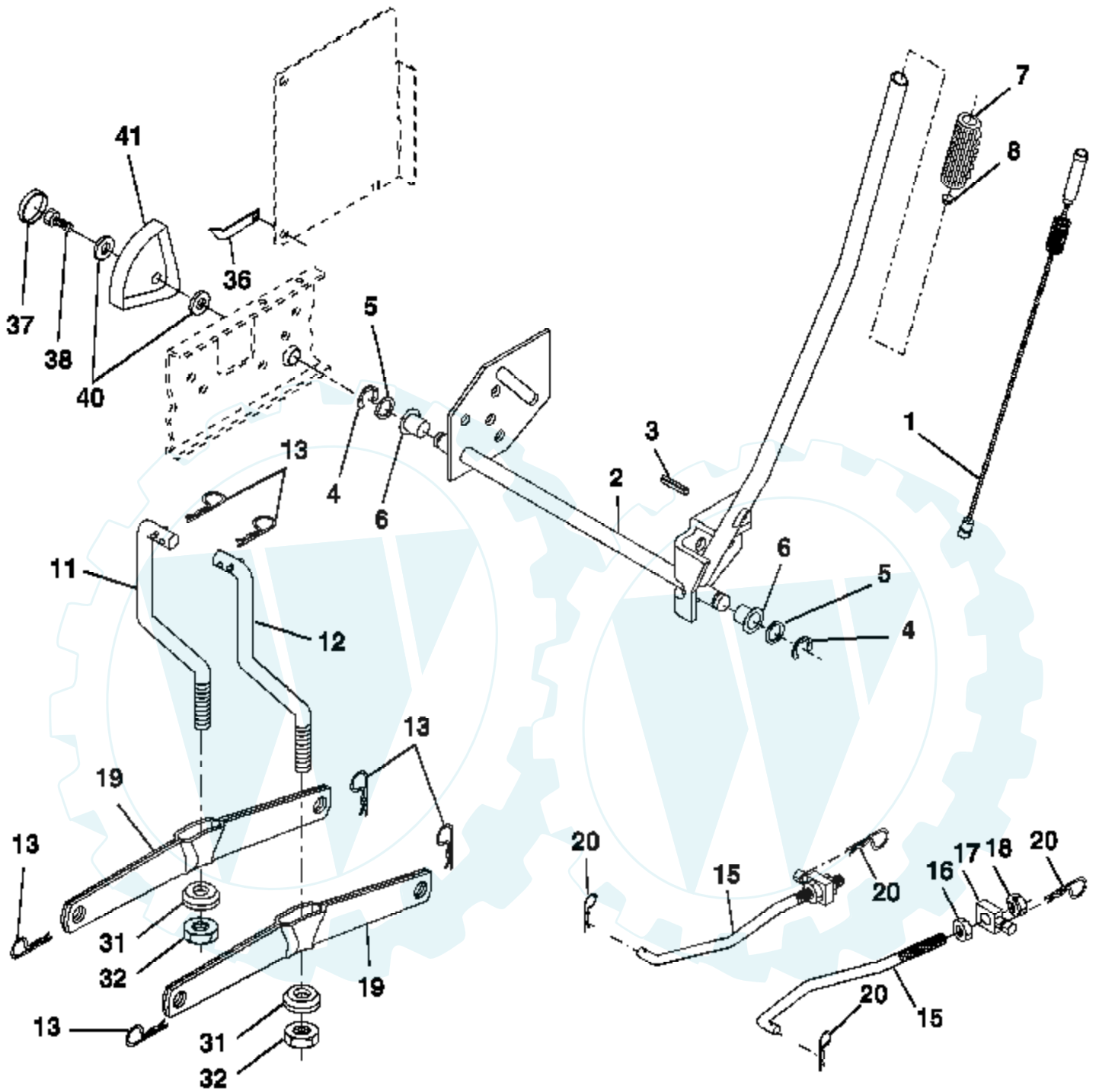




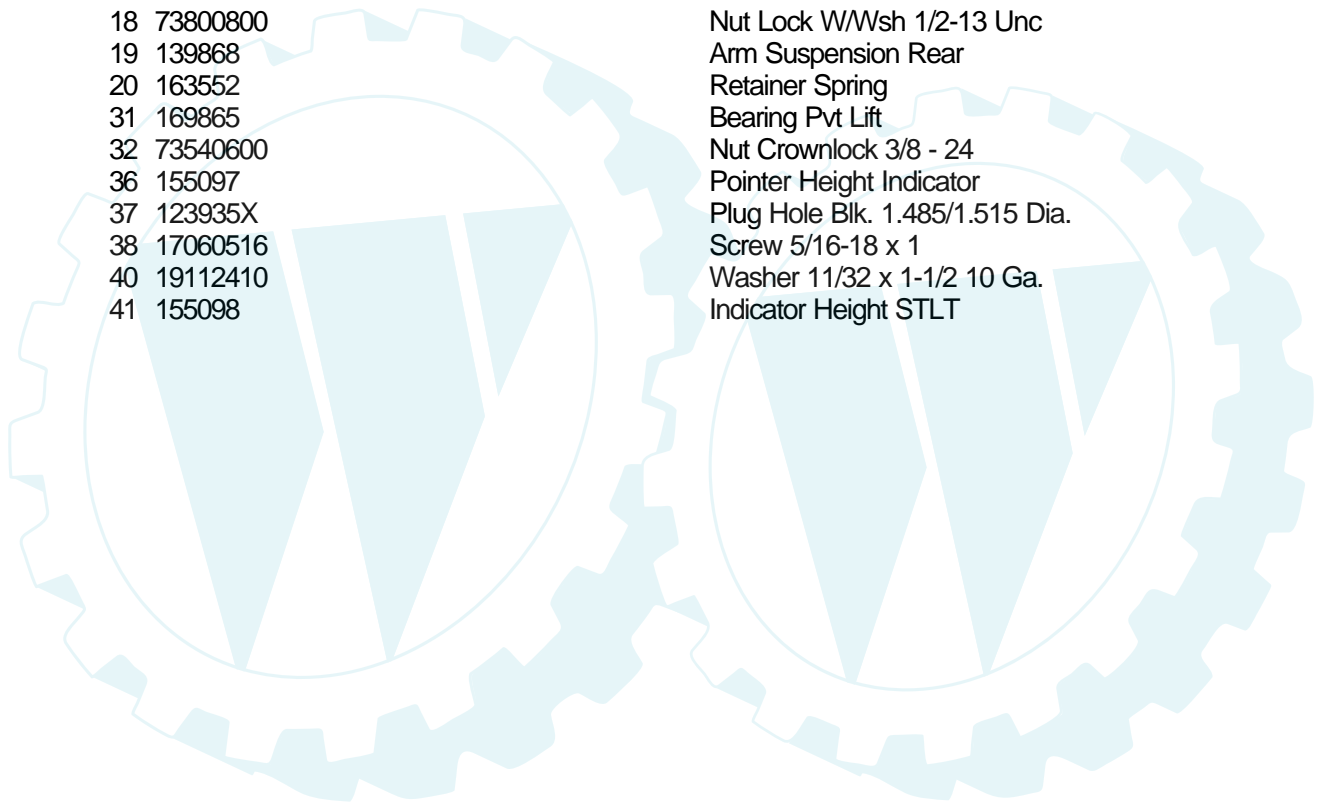
Ref #	Part Number	Qty	Description
1	170771		Control Throt
2	17720408		Screw Hex Thd Cut 1/4-20x5/8 T
3			Engine B&S Model No. 407777 (Order parts from engine manufacturer)
4	149723		Muffler Exhaust
5	159955		Exhaust Asm. Lh
6	160589		Exhaust Asm. Rh
7	138129		Clamp Tube Double Engine
8	171877		Bolt 5/16-18unc x 3/4 w/sems
10	162797		Heat Shield Lt
11	10040500		Washer Lock Hvy. Helical 1/4
12	71070512		Screw Hex Hd Cap 5/16-18 x 3/4
13	165391		Gasket Muffler
14	148456		Tube Drain Oil Easy
16	11050600		Washer Lock Ext Tooth 3/8
17	17060624		Screw 3/8-16x1-1/2
23	169837		Shield BRN/DBR Guard
25	145996		Control Choke
26	73920600		Nut Keps 3/8-24 Unf
27	152927		Screw
29	137180		Arrestor Spark
31	180645		Tank Fuel
32	140527		Cap Fuel
33	123487X		Clamp Hose Blk
37	137040		Line Fuel
38	148315		Plug Drain Oil Easy
40	124028X		Bushing Snap Nyl Black
41	139277		Stem Tank Fuel
44	17670412		Screw Hexwsh Thdrol 1/4-20 x 3/4
45	17000612		Screw Hex wsh Thdrol 3/8-16 x 3/4
46	19091416		Washer 9/32 x 7/8 x 16 Ga.
81	73510400		Nut Keps Hex 1/4-20 Unc
112	3645J		Bushing

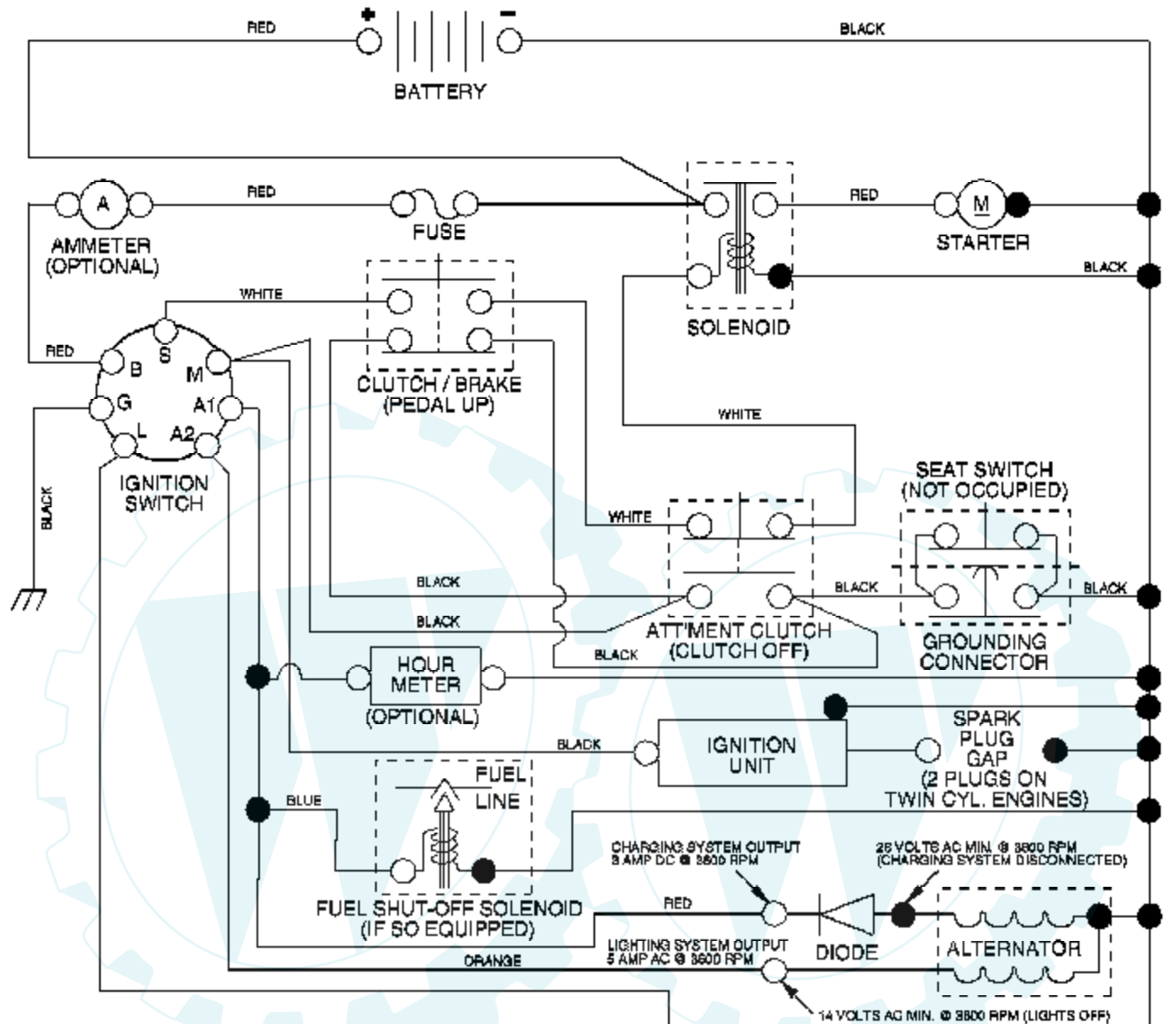
Ref #	Part Number	Qty	Description
1	165892X421		Mower Deck Assembly, 42"
2	72140506		Bolt
3	138017		Bracket Asm Fr. Sway Bar 3/42
4	165460		Bracket Asm Deck 42" Sway Bar
5	4939M		Retainer Spring
6	178024		Bar Sway Deck
8	850857		Bolt 3/8-24 x 25 Gr. 8 patched
9	10030600		Washer, Lock
10	140296		Washer, Hardened
11	134149		Blade, Mulching 42" Std
	138498		Blade Mower 42" Hi-Lift Std
13	137645		Shaft Assembly, Mandrel, Vented
14	128774		Housing, Mandrel, Vented
15	110485X		Bearing, Ball, Mandrel
16	174493		Stripper, Mower Deck
18	72140505		Bolt, Carriage 5/16-18 x 5/8
19	132827		Bolt, Shoulder
20	159770		Baffle, Vortex
21	73680500		Nut
23	177563		Bracket, Deflector Mower 42"
24	105304X		Cap, Sleeve 80 x 112 Blk Mower
25	123713X		Spring, Torsion, Deflector 2 52
26	110452X		Nut, Push Phos & Oil
27	130968X428		Shield, Deflector 42" Blk
28	19111016		Washer 11/32 x 5/8 x 16 Ga.
29	131491		Rod, Hinge 42" 6 75 W/G
30	173984		Screw Thdrol
31	129963		Washer, Spacer Mower Vented
32	173436		Pulley, Mandrel
33	178342		Nut, Toplock 9/16
34	72110614		Bolt
36	173438		Pulley, Idler, Flat
37	19131316		Washer 13/32 x 13/16 x 16 Ga.
40	73680600		Nut
44	140088		Guard, Mandrel, LH
45	4497H		Retainer
46	137729		Screw, Thdrol 1/4-20 x 5/8 T
48	133944		Washer, Hardened
49	174284		Roller Assembly, Cam Follower
50	131340		Bolt, Shoulder #10-24 Grade 5
51	69180		Locknut
52	139888		Bolt, Shoulder 5/16-18 Unc
53	131845		Arm Assembly, Pad, Brake
54	133943		Washer, Hardened
55	155046		Arm, Idler
56	122052X		Spacer, Retainer
59	173442		Guard TUV Idler
67	171598		Knob Round
68	144959		V-Belt, 42" Mower
91	180532		Bracket Roller Nose Lh
94	132264		Roller Nose 38 & 42
95	180533		Bracket Roller Nose Rh
101	136420		Mulcher Cover
102	71081010		Screw Pan Hd Phillips 10-24 x 5/8
103	19061216		Washer, Flat
104	10071000		Washer, Lock
105	160793		Latch Assembly
106	2029J		Nut, Weld

Ref #	Part Number	Qty	Description
111	179292X421		Bracket, Ga., Wheel LH
112	179293X421		Bracket, Ga., Wheel RH
113	17060510		Screw 3/8-16 x .625
114	73510500		Nut, Keps 5/16 - 18 Unc
115	72110505		Bolt, Carriage 5/16-18 x 5/8
116	4898H		Bolt, Shoulder
117	165746		Wheel, Ga.
118	73930600		Nut Centerlock 3/8-16
119	19121414		Washer 3/8 x 7/8 x 14 Ga.
121	173986		Bracket, Extruded
132	17060612		Screw 3/8-16 x .75
142	165890		Arm Spring Brake Mower
143	157109		Bracket Arm Idler 42"
144	173441		Keeper Belt 42" Clutch Cable
145	173437		Pulley Idler Flat
146	173443		Bolt Carriage Idler
147	131335		Spring Extension
148	169022		Spring Return Idler
149	165898		Retainer Spring Yellow
150	19091216		Washer 9/32 x 3/4 x 16 Ga.
151	169670		Bracket Clutch Cable
152	169676		Clutch Cable 42"
153	169674		Washer Flat 3/8" Type B
154	169675		Spring Retainer
155	169671		Spring Retention LVR CLTCH CAB
156	169672		Spacer Clutch Cable
157	169669		Rod Clutch Cable 3/8"
158	17720408		Screw Hex Thd Cut 1/4-20 x 1/2
159	72140614		Bolt Rdhd Sqd 3/8-16 Unc x 1-3/4
182	179126		Rod Roller Nose
183	163552		Retainer Spring
	130794		Mandrel Assembly (Includes Housing, Shaft and Shaft Hardware Only- Pulley not included)
	172559		Mower Deck, Complete

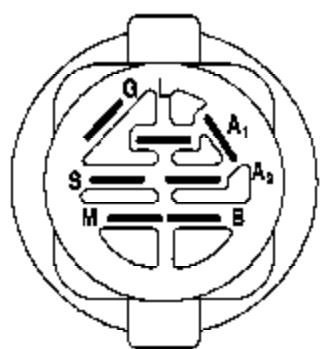


Ref #	Part Number	Qty	Description
1	159460		Wire Asm Inner/Sprg W/plunger LT
2	159471		Shaft Asm Lift RH w/Inf
3	105767X		Pin Groove 1 500 Zinc
4	12000002		E Ring #5133-62
5	19211621		Washer 21/32 X 1 X 21 Ga
6	120183X		Bearing Nylon Blk 629 Id
7	125631X		Grip Handle
8	170770		Button Plunger
11	139865		Link Lift LH Fixed Length
12	139866		Link Lift RH Fixed Length
13	4939M		Retainer Spring
15	173288		Link Front
16	73350800		Nut Jam Hex 1/2-13 Unc
17	175689		Trunnion
18	73800800		Nut Lock W/Wsh 1/2-13 Unc
19	139868		Arm Suspension Rear
20	163552		Retainer Spring
31	169865		Bearing Pvt Lift
32	73540600		Nut Crownlock 3/8 - 24
36	155097		Pointer Height Indicator
37	123935X		Plug Hole Blk. 1.485/1.515 Dia.
38	17060516		Screw 5/16-18 x 1
40	19112410		Washer 11/32 x 1-1/2 10 Ga.
41	155098		Indicator Height STLT



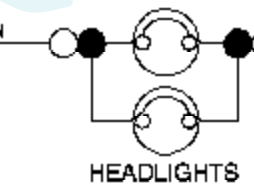


NOTE
YOUR TRACTOR IS EQUIPPED WITH A SPECIAL ALTERNATOR SYSTEM. THE LIGHTS ARE NOT CONNECTED TO THE BATTERY, BUT HAVE THEIR OWN ELECTRICAL SOURCE. BECAUSE OF THIS, THE BRIGHTNESS OF THE LIGHTS WILL CHANGE WITH ENGINE SPEED. AT IDLE THE LIGHTS WILL DIM. AS THE ENGINE IS SPEEDED UP, THE LIGHTS WILL BECOME THEIR BRIGHTEST.



IGNITION SWITCH

POSITION	CIRCUIT	"MAKE"
OFF	M+G+A1	NONE
RUN/LIGHT	B+A1	A2+L
RUN	B+A1	NONE
START	B + S + A1	NONE

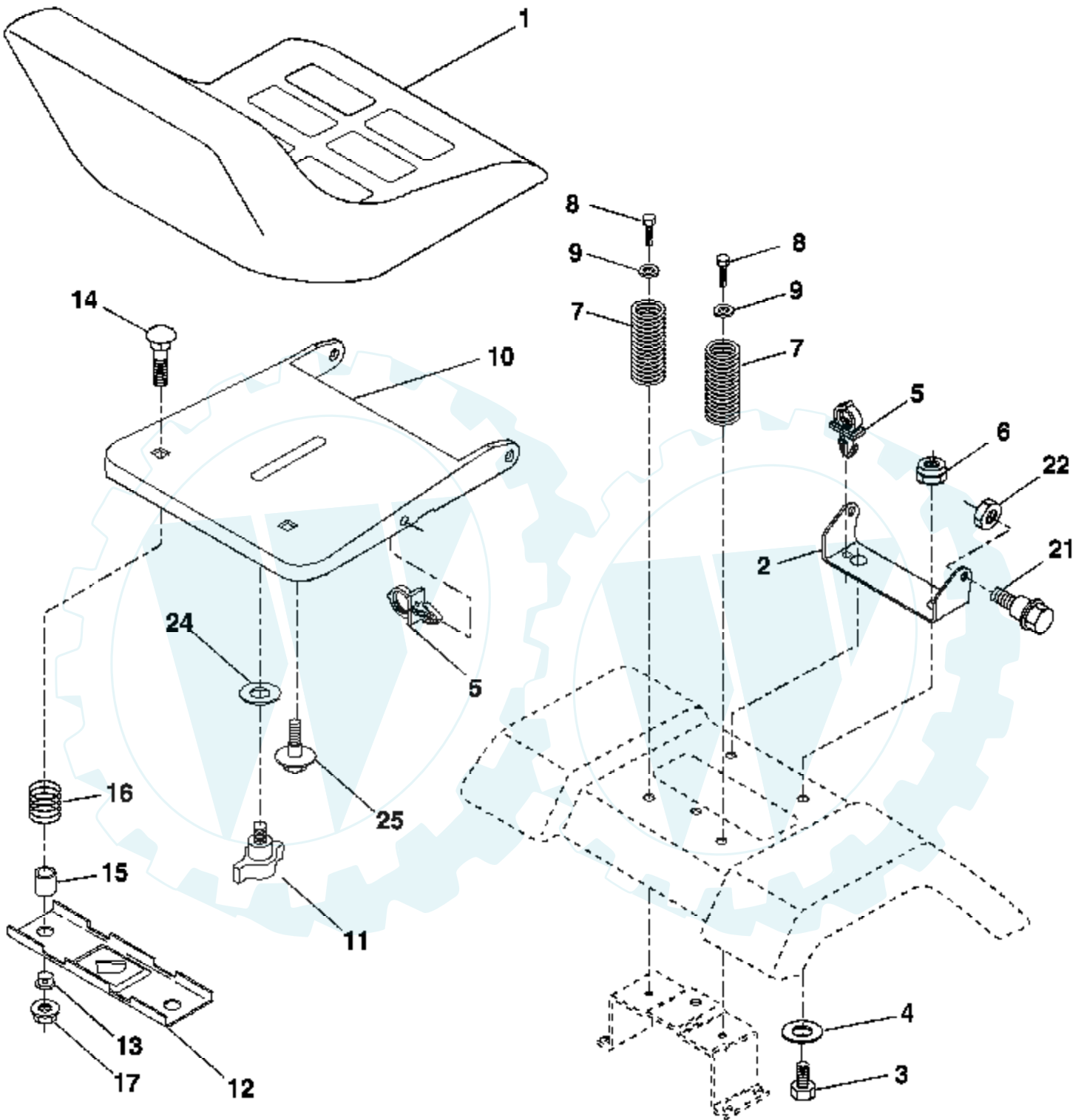


NON-REMOVABLE CONNECTIONS

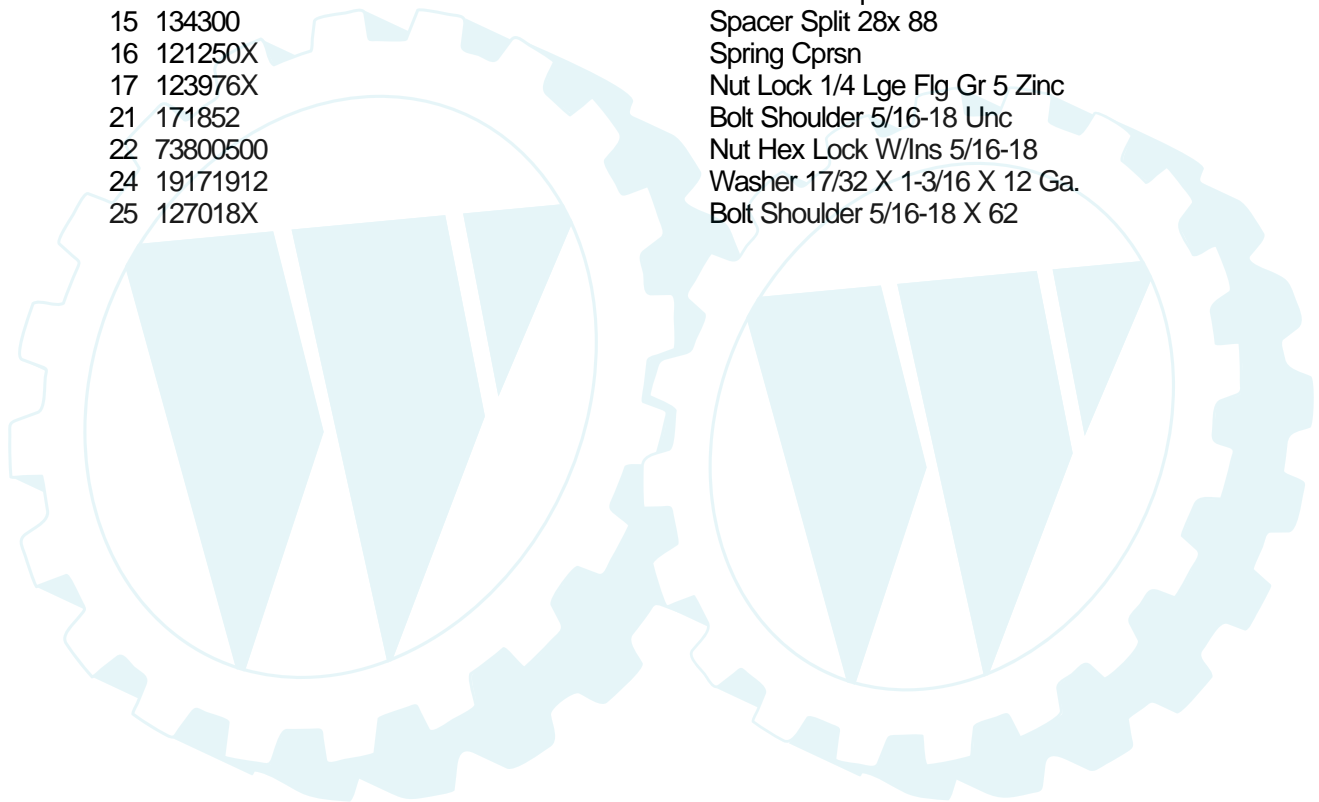
REMOVABLE CONNECTIONS

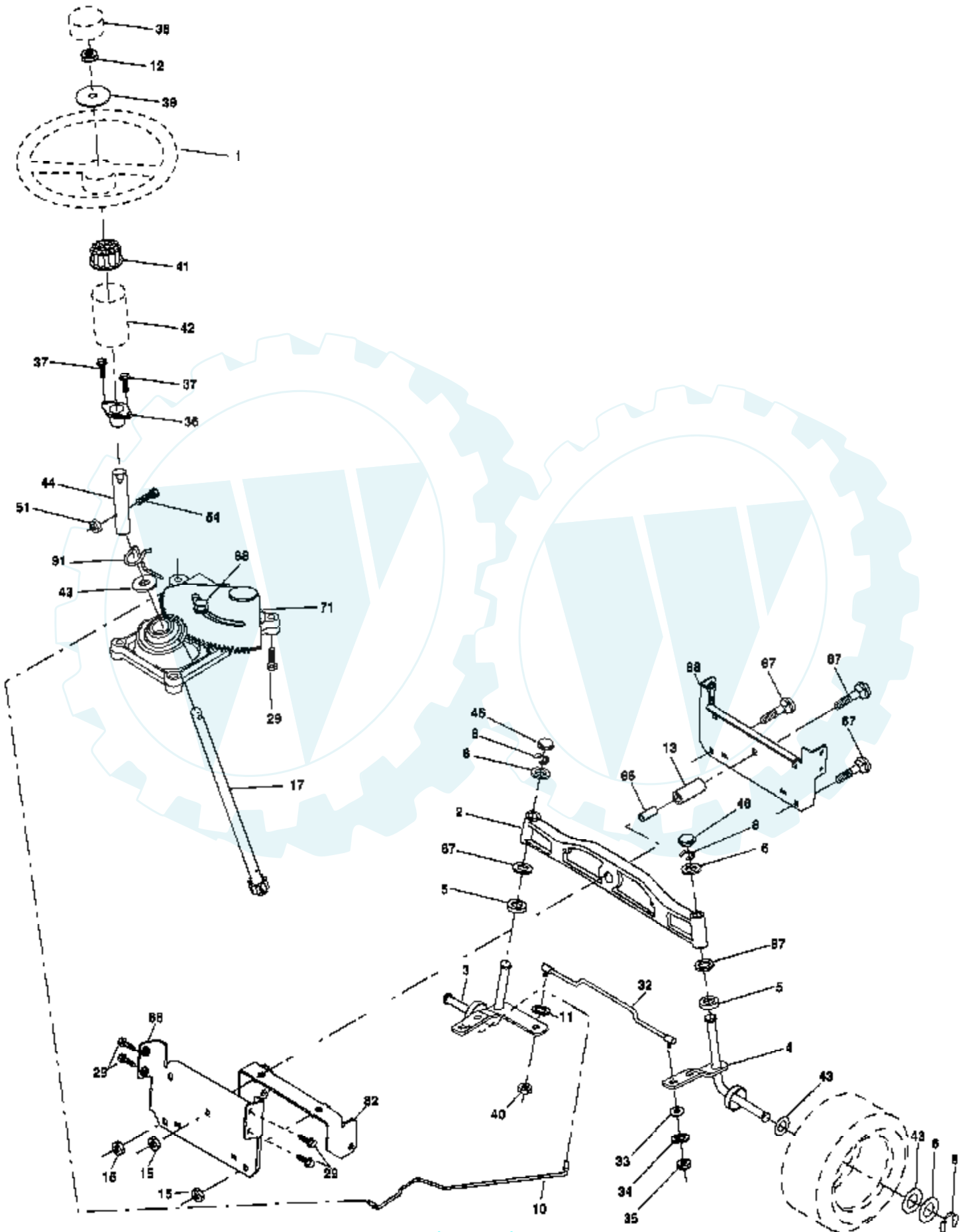
WIRING INSULATED CLIPS

NOTE: IF WIRING INSULATED CLIPS WERE REMOVED FOR SERVICING OF UNIT, THEY SHOULD BE REPLACED TO PROPERLY SECURE YOUR WIRING.

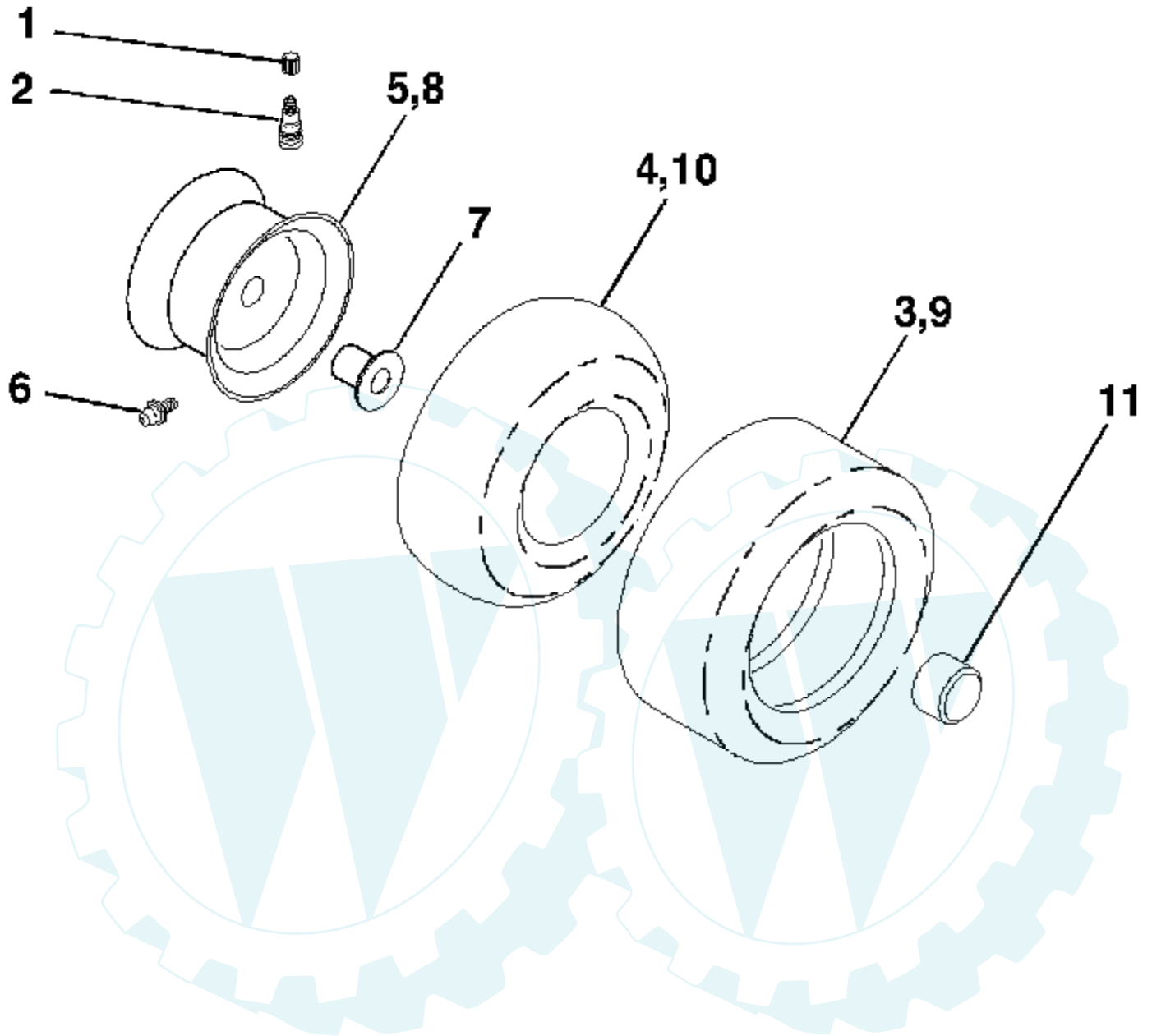


Ref #	Part Number	Qty	Description
1	171683		Seat
2	140551		Bracket Pivot Seat 8 720
3	71110616		Bolt Fin Hex 3/8-16unc X 1
4	19131610		Washer 13/32 X 1 X 10 Ga
5	145006		Clip Push-In
6	73800600		Nut Hex w/Ins. 3/8-16 Unc
7	124181X		Spring Seat Cprsn 2 250 Blk Zi
8	17000616		Screw 3/8-16 x 1.5 Smgml
9	19131614		Washer 13/32 X 1 X 14 Ga.
10	174894		Pan Seat
11	166369		Knob Seat
12	121246X		Bracket Mounting Switch
13	121248X		Bushing Snap Blk Nyl 50 Id
14	72050412		Bolt Rdhd Sqnk 1/4-20x1-1/2
15	134300		Spacer Split 28x 88
16	121250X		Spring Cprsn
17	123976X		Nut Lock 1/4 Lge Flg Gr 5 Zinc
21	171852		Bolt Shoulder 5/16-18 Unc
22	73800500		Nut Hex Lock W/Ins 5/16-18
24	19171912		Washer 17/32 X 1-3/16 X 12 Ga.
25	127018X		Bolt Shoulder 5/16-18 X 62





Ref #	Part Number	Qty	Description
1	180656		Wheel Steering
2	172393		Axle Asm Cast Iron LT
3	169840		Spindle Asm LH
4	169839		Spindle Asm RH
5	6266H		Bearing Race Thrust Harden
6	121748X		Washer 25/32 X 1-5/8 X 16 Ga
8	12000029		Ring Klip #t5304-75
10	175121		Link Drag
11	10040600		Washer Lock Hvy Hlcl Spr 3/8
12	73940800		Nut Hex Jam Toplock 1/2-20 Unf
13	136518		Spacer Brg Axle Front
15	145212		Nut Hex Flange Lock
17	180641		Shaft Asm Strg
29	17060612		Screw 3/8-16 x .75
32	171888		Rod Tie
33	19111216		Washer 11/32 x 3/4 x 16 Ga
34	10040500		Washer Lock Hvy Hlcl Spr 5/16
35	73540500		Crownlock Nut 5/16-24 Unf
36	155099		Bushing Strg
37	152927		Screw
38	180657		Insert Cap Strg Wh
39	19182411		Washer 9/16 ID X 1-1/2 OD 11 Ga
40	7810H		Lock nut
41	159945		Adaptor Wheel Strg
42	145054X428		Boot Steering Dash
43	121749X		Washer 25/32 X 1 1/4 X 16 Ga
44	180640		Extension Steering Shaft LR/LT
46	121232X		Cap Spindle Fr Top Blk
51	73540400		Nut Crownlock 1/4-28
54	71130420		Bolt Hex 1/4-28unf x 1-1/4 Ga. 8
65	160367		Spacer Brace Axle
67	72140618		Bolt Rdhd Sq 3/8-16 Unc x 2-3/4
68	169827		Axle, Brace
71	175146		Steering Asm.
82	169835		Bracket Susp Chassis Front
87	173966		Washer Flat .781 x 1 1/2 x .14
88	175118		Bolt Shoulder 7/16-20
91	175553		Clip Steering



Ref #	Part Number	Qty	Description
1	59192		Cap Valve Tire
2	65139		Stem Valve
3	170455		Tire F T 15 X 6 0 - 6 Service
4	59904		Tube Front (Service Item Only)
5	106732X421		Rim Asm 6" front Service
6	278H		Fitting Grease (Front Wheel Only)
7	9040H		Bearing Flange (Front Wheel Only)
8	106108X421		Rim Asm 8" rear Service
9	170456		Tire R T 20x10-8 Service
10	7152J		Tube Rear (Service Item Only)
11	104757X428		Cap Axle Blk 1 50 X 1 00
	144334		Sealant, Tire (10 oz. Tube)

