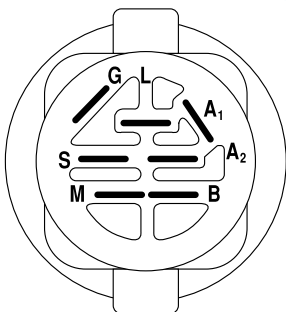
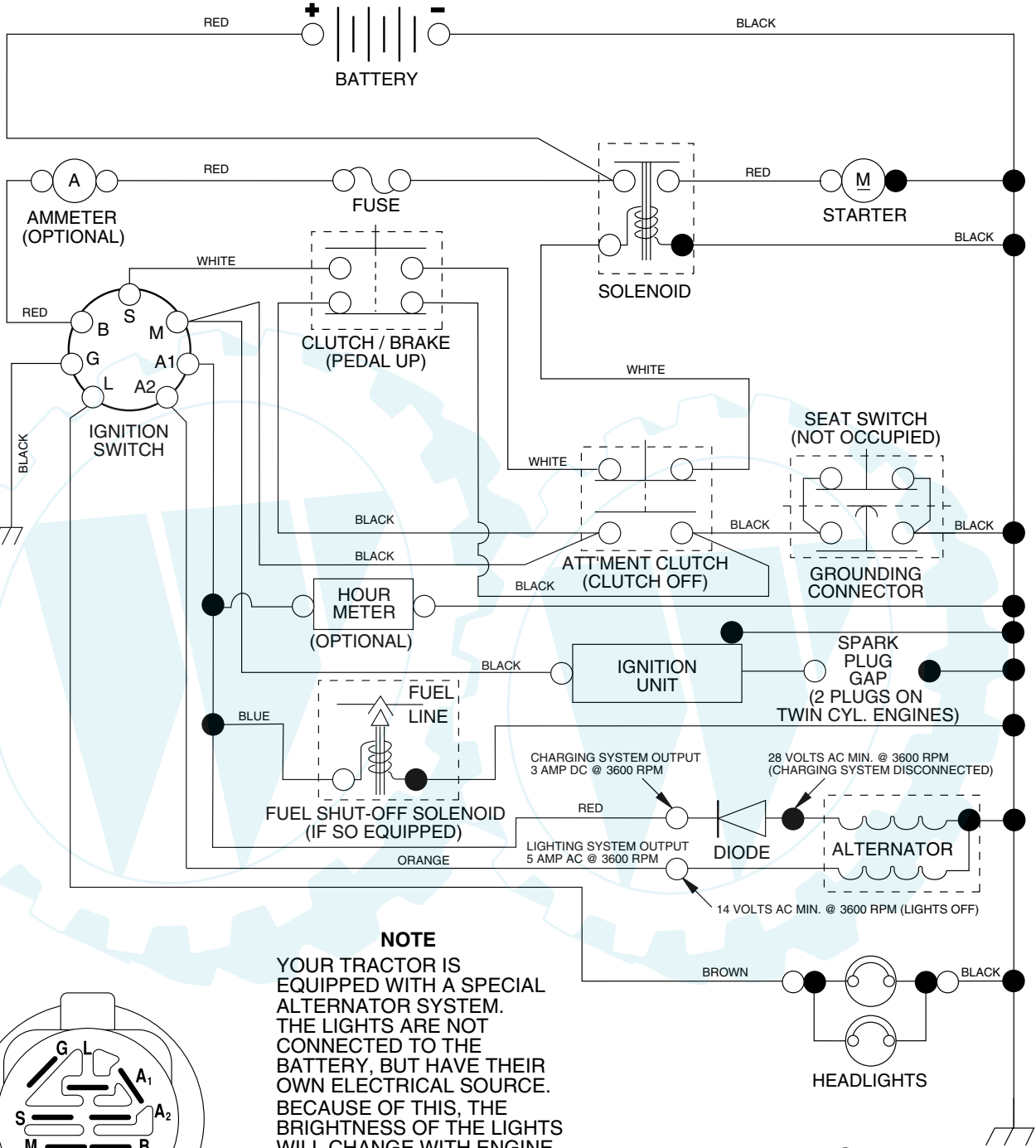


TRACTOR - MODEL NUMBER PR2042 (PT R2042STB), PRODUCT NO. 954 56 84-41 SCHEMATIC



IGNITION SWITCH

POSITION	CIRCUIT	"MAKE"
OFF	M+G+A1	NONE
RUN/LIGHT	B+A1	A2+L
RUN	B+A1	NONE
START	B + S + A1	NONE

NOTE

YOUR TRACTOR IS EQUIPPED WITH A SPECIAL ALTERNATOR SYSTEM. THE LIGHTS ARE NOT CONNECTED TO THE BATTERY, BUT HAVE THEIR OWN ELECTRICAL SOURCE. BECAUSE OF THIS, THE BRIGHTNESS OF THE LIGHTS WILL CHANGE WITH ENGINE SPEED. AT IDLE THE LIGHTS WILL DIM. AS THE ENGINE IS SPEEDED UP, THE LIGHTS WILL BECOME THEIR BRIGHTEST.

WIRING INSULATED CLIPS

NOTE: IF WIRING INSULATED CLIPS WERE REMOVED FOR SERVICING OF UNIT, THEY SHOULD BE REPLACED TO PROPERLY SECURE YOUR WIRING.

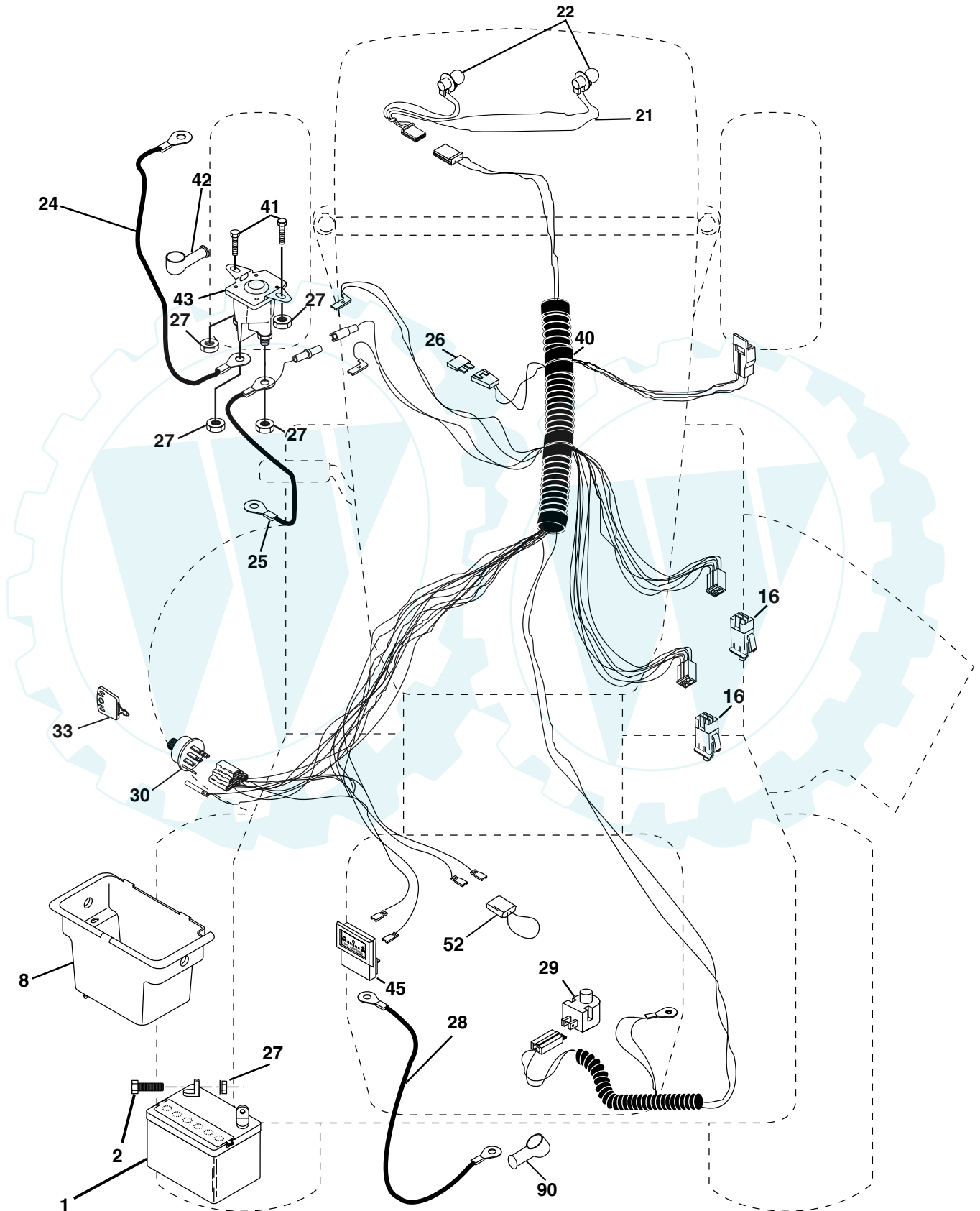
NON-REMOVABLE CONNECTIONS

REMOVABLE CONNECTIONS

REPAIR PARTS

www.ersatzteil-service.de

TRACTOR - MODEL NUMBER PR2042 (PPR2042STB), PRODUCT NO. 954 56 84-41
ELECTRICAL



REPAIR PARTS

www.ersatzteil-service.de

TRACTOR - MODEL NUMBER PR2042 (PPR2042STB), PRODUCT NO. 954 56 84-41
ELECTRICAL

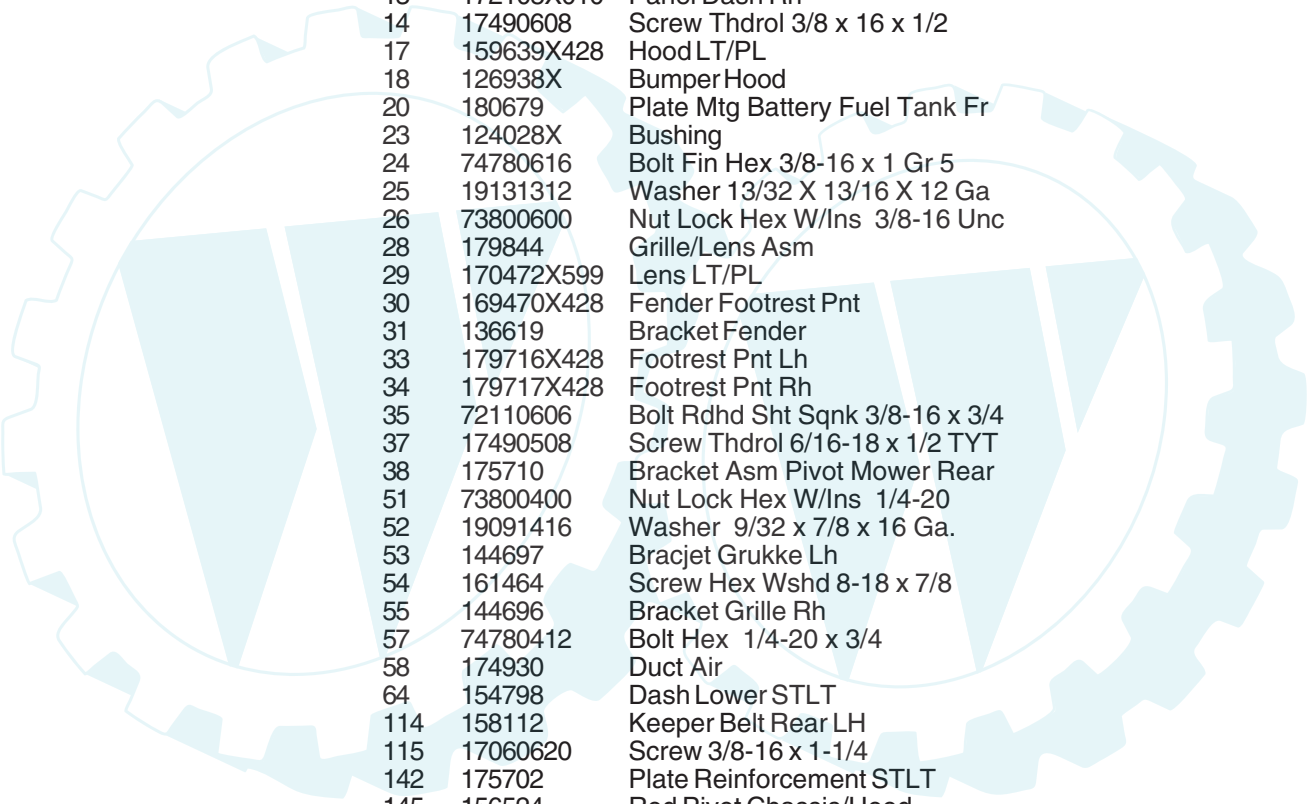
KEY NO.	PART NO.	DESCRIPTION
1	163465	Battery
2	74760412	Bolt Hex Hd 1/4-20unc X 3/4
8	176689	Box Battery Fender
16	176138	Switch Interlock
21	175685	Harness Socket Light with 415J
22	4152J	Bulb, Light # 1156
24	4799J	Cable Battery
25	146147	Cable Battery 6 Ga Red w/16 wire
26	175158	Fuse 20 Amp
27	73510400	Nut Keps Hex 1/4-20 Unc
28	4207J	Cable Ground 6ga 12 black
29	121305X	Switch Plunger Nc Gray
30	175566	Switch Ign
33	140401	Key Ign Molded Generic
40	179720	Harness Ign
41	71110408	Bolt Fin Hex 1/4-20uncx 1/2
42	131563	Cover Terminal Red
43	178861	Solenoid
45	121433X	Ammeter Rectangular
52	141940	Protection Loop
90	180449	Cover Terminal Battery

NOTE: All component dimensions given in U.S. inches
1 inch = 25.4 mm

REPAIR PARTS

www.ersatzteil-service.de

TRACTOR - MODEL NUMBER PR2042 (PPR2042STB), PRODUCT NO. 954 56 84-41 CHASSIS



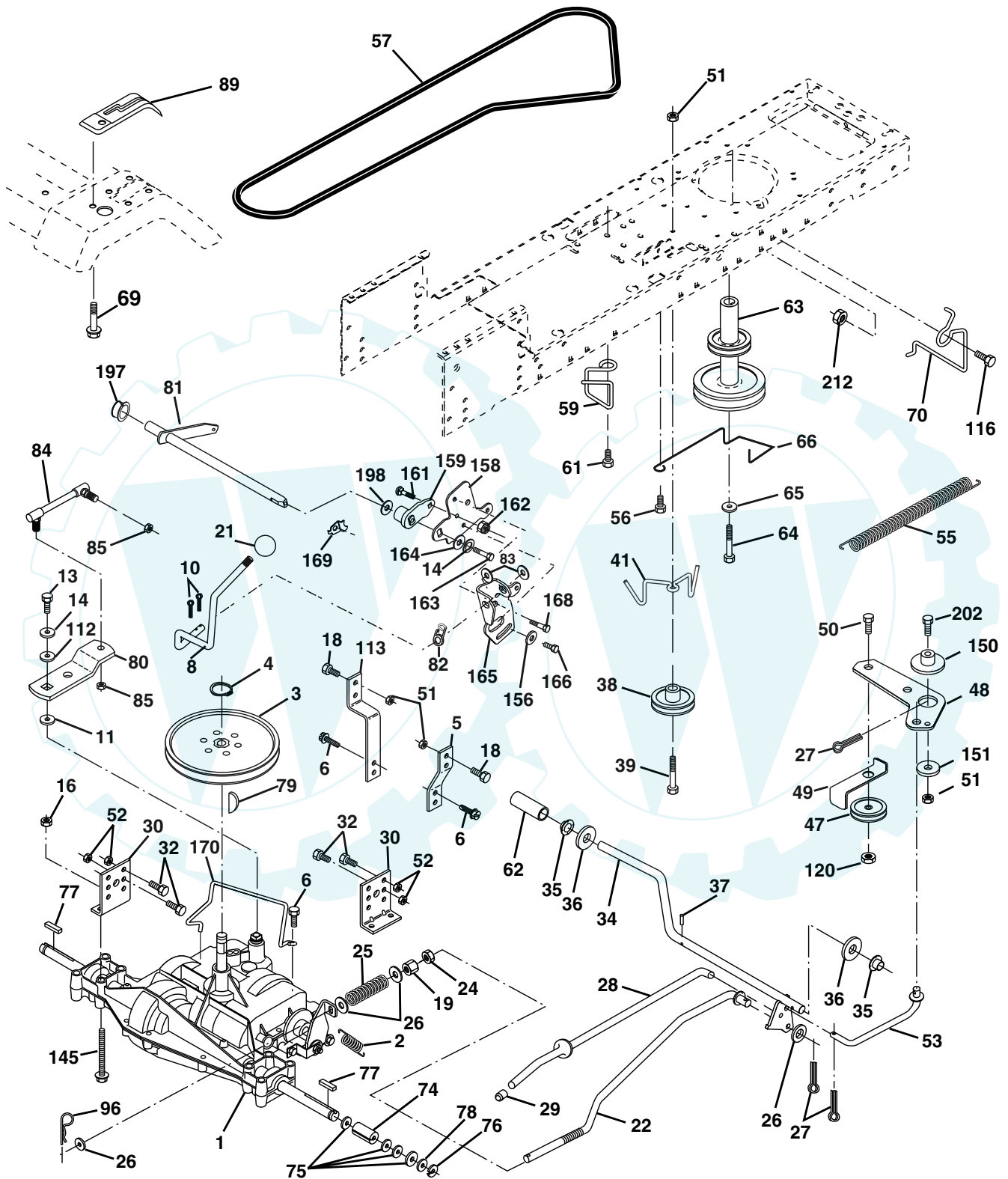
KEY NO.	PART NO.	DESCRIPTION
1	174619	Chassis
2	176554	Drawbar
3	17060612	Screw 3/8-16 X .75
5	155272	BumperHood/Dash
9	168337X012	Dash P/L
10	72140608	Bolt Carriage 3/8-16 x 1
11	174996	Panel Dash Lh
12	145660	Clip Tinnerman
13	172105X010	Panel Dash Rh
14	17490608	Screw Thdrol 3/8 x 16 x 1/2
17	159639X428	Hood LT/PL
18	126938X	BumperHood
20	180679	Plate Mtg Battery Fuel Tank Fr
23	124028X	Bushing
24	74780616	Bolt Fin Hex 3/8-16 x 1 Gr 5
25	19131312	Washer 13/32 X 13/16 X 12 Ga
26	73800600	Nut Lock Hex W/Ins 3/8-16 Unc
28	179844	Grille/Lens Asm
29	170472X599	Lens LT/PL
30	169470X428	Fender Footrest Pnt
31	136619	Bracket Fender
33	179716X428	Footrest Pnt Lh
34	179717X428	Footrest Pnt Rh
35	72110606	Bolt Rdhd Sht Sqnk 3/8-16 x 3/4
37	17490508	Screw Thdrol 6/16-18 x 1/2 TYT
38	175710	Bracket Asm Pivot Mower Rear
51	73800400	Nut Lock Hex W/Ins 1/4-20
52	19091416	Washer 9/32 x 7/8 x 16 Ga.
53	144697	Bracjet Grukke Lh
54	161464	Screw Hex Wshd 8-18 x 7/8
55	144696	Bracket Grille Rh
57	74780412	Bolt Hex 1/4-20 x 3/4
58	174930	Duct Air
64	154798	Dash Lower STLT
114	158112	Keeper Belt Rear LH
115	17060620	Screw 3/8-16 x 1-1/4
142	175702	Plate Reinforcement STLT
145	156524	Rod Pivot Chassis/Hood
159	169473X428	Cupholder
206	170165	Bolt Shoulder 5/16-18
207	17670508	Screw Thdrol 5/16-18 x 1/2
208	17670608	Screw Thdrol 3/8-16 x 1/2
211	145212	Nut Hexflange Lock
212	156229	Insert Lens Relect
219	17000512	Screw 5/16-18 x 3/4
---	5479J	Plug BTN. Blk

NOTE: All component dimensions given in U.S. inches
1 inch = 25.4 mm

REPAIR PARTS

www.ersatzteil-service.de

TRACTOR - MODEL NUMBER PR2042 (PPR2042STB), PRODUCT NO. 954 56 84-41
DRIVE



REPAIR PARTS

TRACTOR - MODEL NUMBER PR2042 (PPR2042STB), PRODUCT NO. 954 56 84-41 DRIVE

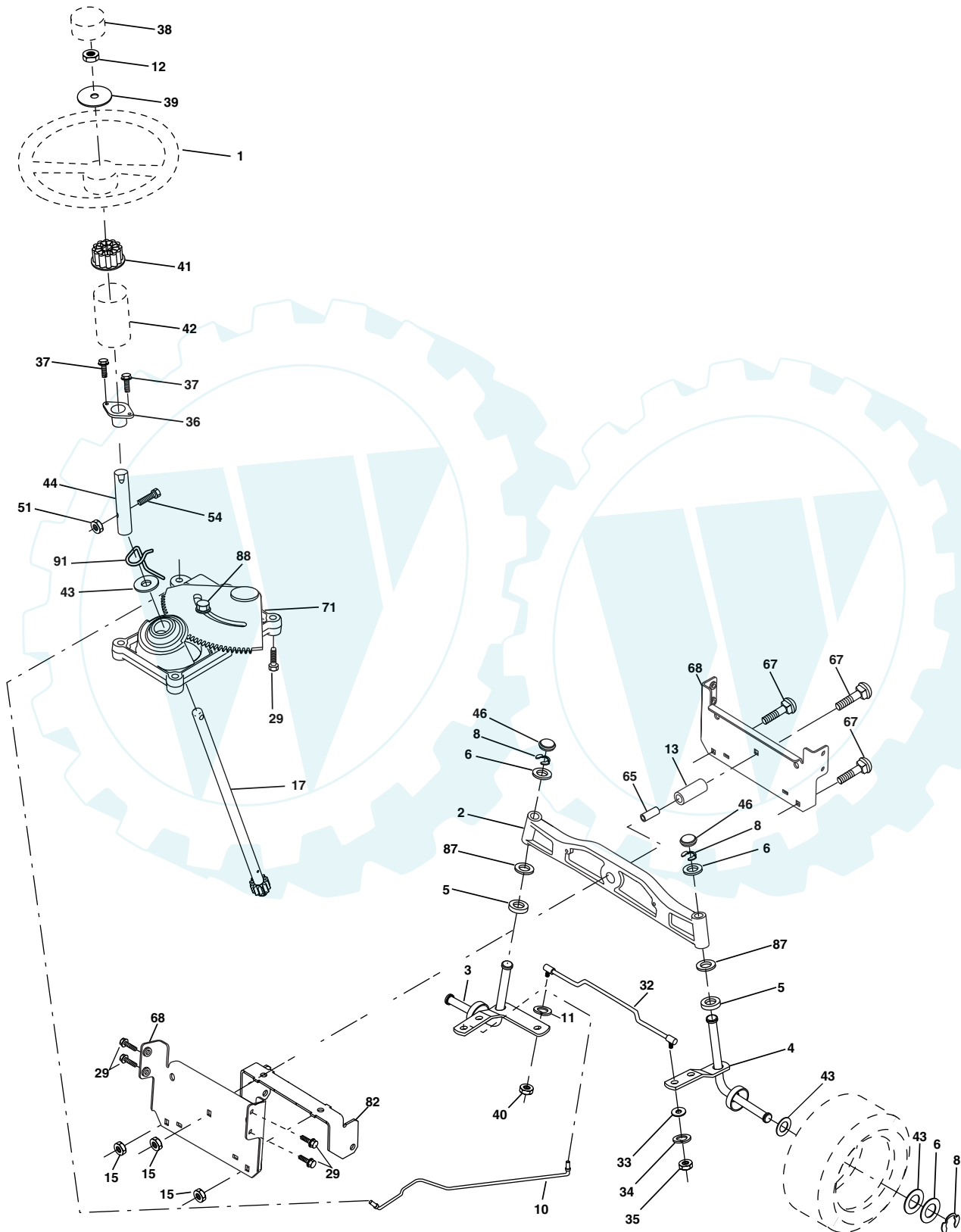
KEY NO.	PART NO.	DESCRIPTION	KEY NO.	PART NO.	DESCRIPTION
1	----	Transaxle (Order parts from engine manufacturer) Peerless 206-545C	63	175410	Pulley Eng
2	146682	Spring Return Brake T/a Zinc	64	71170764	Bolt Hex 7/16-20 x 4 Gr 5
3	123666X	Pulley Transaxle 18/20" tires	65	10040700	Washer Lock Hvy Hlcl Spr 7/16
4	12000028	Ring Retainer # 5100-62	66	154778	Keeper Belt Engine
5	121520X	Strap Torque 30 Degrees	69	145432	Screw Hex Wsh Hi-Lo 1/4-1/2 Unc
6	17060512	Screw 5/16-18 x 3/4	70	134683	Guide Belt Mower Drive RH
8	165619	Rod Shifter Fender STLT	74	137057	Spacer Split
10	76020416	Pin Cotter 1/8 x 1 Cad	75	121749X	Washer 25/32 x 1 1/4 x 16 Ga
11	105701X	Washer Plate Shf 388 Sq Hole	76	12000001	E-ring #5133-75
13	74550412	Bolt 1/4-28unf Gr8 W/Patch	77	123583X	Key Square
14	10040400	Washer Lock Hvy Helical 1/4	78	121748X	Washer 25/32 x 1-5/8 x 16ga
16	73800500	Nut Lock Hex w/Ins. 5/16-18 Unc	79	2228M	Key Woodruff
18	74780616	Bolt Fin Hex 3/8-16 Unc x 1 Gr 5	80	145090	Arm, Shift
19	73800600	Nut Lock Hex w/Ins. 38/-16 Unc	81	165592	Shaft Assembly
21	140845	Knob Deluxe	82	123782X	Spring, Torsion
22	130804	Rod Brake Blk Zinc 26 840	83	19171216	Washer 17/32 x 3/4 x 16 Gauge
24	73350600	Nut Hex Jam 3/8-16 Unc	84	166231	Link Transaxle
25	106888X	Spring Rod Brake 2 00 Zinc	85	150360	Nut, Nylock
26	19131316	Washer 13/32 x 13/16 x 16 Ga.	89	169372X428	Console, Shift, STLT
27	76020412	Pin Cotter 1/8 x 3/4 Cad	96	4497H	Retainer Spring
28	175765	Rod Brake Parking Lt/Yt	112	19091210	Washer 9/32 x 3/4 x 10 Ga
29	71673	Cap Brake Parking	113	127285X	Strap Torque
30	169592	Bracket Mtg Transaxle	116	72140608	Bolt RdHd Sqnk 3/8-16 x 1 Unc
32	74760512	Bolt Hex Hd 5/16-18 Unc x 3/4	120	73900600	Nut Lock Flg. 3/8-16 Unc
34	175578	Shaft Asm Pedal Foot	145	74490540	Bolt Hex Flghd 5/16-18 x Gr.5
35	120183X	Bearing Nylon Blk 629 Id	150	175456	Spacer Retainer
36	19211616	Washer 21/32 x 1 x 16 Ga	151	19133210	Washer 13/32 x 2 x 10 Ga.
37	1572H	Pin Roll 3/16 x 1"	156	166002	Washer Srrted 5/16ID x 1 .125
38	179114	Pulley Composite Flat	158	165589	Bracket Shift Mount
39	74760648	Bolt Fin Hex 3/8-16unc x 3	159	165494	Hub Tapered Flange Shift Lt
41	175556	Keeper Belt Idler	161	72140406	Bolt Rdhd Sqnk 1/4-20 x 3/4 Gr.5
47	127783	Pulley Idler	162	73680400	Nut Crownlock 1/4-20 UNC
48	154407	Bellcrank Clutch Grnd Drv STL	163	74780416	Bolt Hex Fin 1/4-20 UNC x 1 Gr.5
49	123205X	Retainer Belt Style Spring	164	19091010	Washer 5/8 x .281 x 10 Ga.
50	74760624	Bolt Hex Hd 3/8-16 Unc x 1-1/2	165	165623	Bracket Pivot Lever
51	73680600	Nut Crownlock 3/8-16 UNC	166	166880	Screw 5/16-18 x 5/8
52	73680500	Nut Crown Lock 5/16-18	168	165492	Bolt shoulder 5/16-18 x .561
53	105710X	Link Clutch 7 66	169	165580	Plate Fastening Lt
55	105709X	Spring Return Clutch 6 75	170	178394	Keeper Belt T/A
56	17060620	Screw 3/8-16 x 1-1/4	197	169613	Nyliner Snap-In 5/8" ID
57	130801	V-Belt Gd Drive	198	169593	Washer Nyl 7/8ID x .105"
59	169691	Keeper Belt Centerspan	202	72110612	Bolt Carr Sh 3/8-16 x 1-1/2 Gr.5
61	17120614	Screw 3/8-16 x .875	212	145212	Nut Hex Flange Lock
62	8883R	Cover Pedal Blk Round			

NOTE: All component dimensions given in U.S. inches
1 inch = 25.4 mm

REPAIR PARTS

www.ersatzteil-service.de

TRACTOR - MODEL NUMBER PR2042 (PPR2042STB), PRODUCT NO. 954 56 84-41 STEERING ASSEMBLY



REPAIR PARTS

www.ersatzteil-service.de

TRACTOR - MODEL NUMBER PR2042 (PPR2042STB), PRODUCT NO. 954 56 84-41 STEERING ASSEMBLY

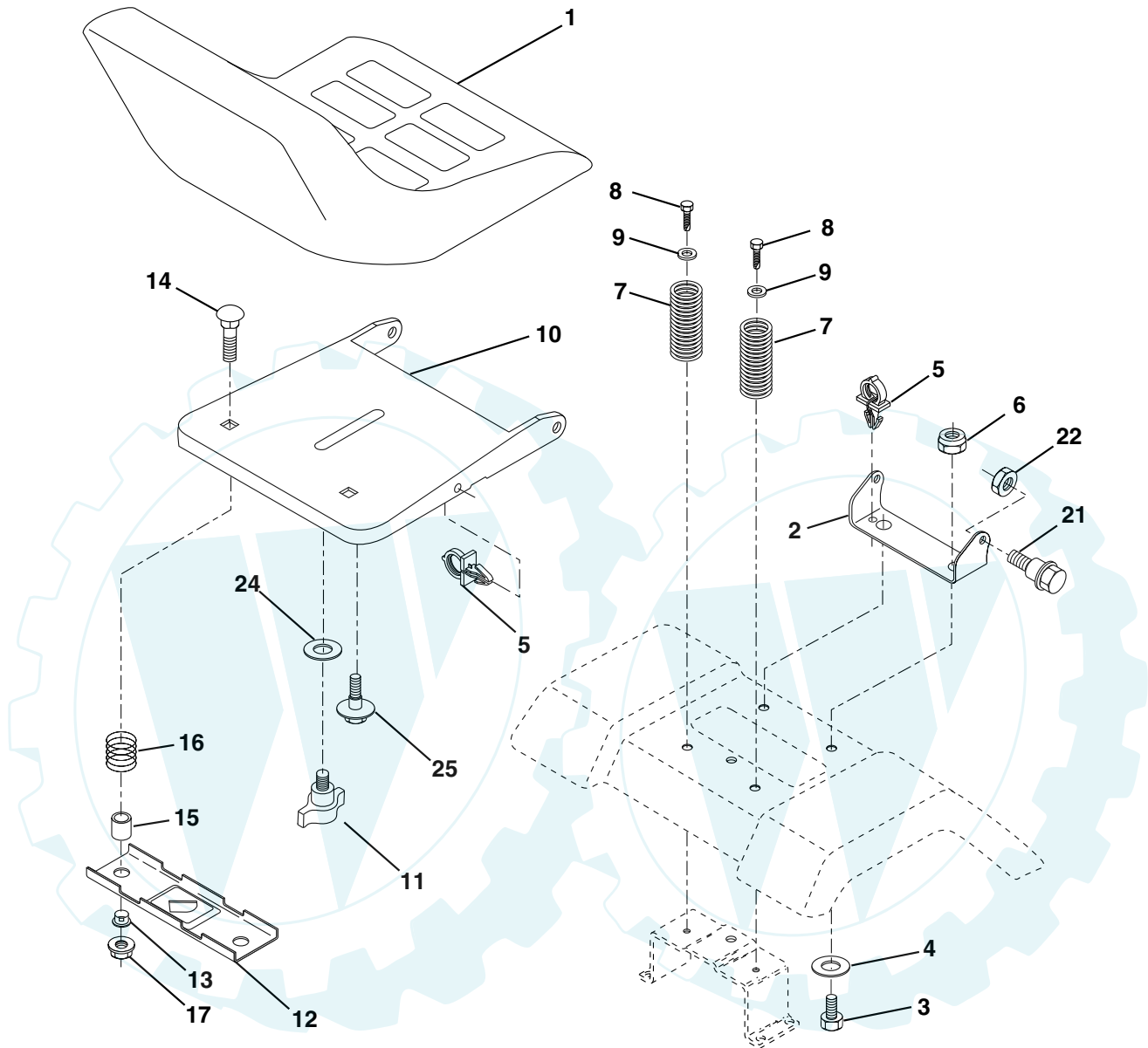
KEY NO.	PART NO.	DESCRIPTION
1	159944X428	Wheel Steering
2	172393	Axle Asm Cast Iron LT
3	169840	Spindle Asm LH
4	169839	Spindle Asm RH
5	6266H	Bearing Race Thrust Harden
6	121748X	Washer 25/32 X 1-5/8 X 16 Ga
8	12000029	Ring Klip #t5304-75
10	175121	Link Drag
11	10040600	Washer Lock Hvy Hlcl Spr 3/8
12	73940800	Nut Hex Jam Toplock 1/2-20 Unf
13	136518	Spacer Brg Axle Front
15	145212	Nut Hex Flange Lock
17	180641	Shaft Asm Strg
29	17060612	Screw 3/8-16 x .75
32	171888	Rod Tie
33	19111216	Washer 11/32 x 3/4 x 16 Ga
34	10040500	Washer Lock Hvy Hlcl Spr 5/16
35	73540500	Crownlock Nut 5/16-24 Unf
36	155099	Bushing Strg
37	152927	Screw
38	159946X428	Insert Cap Strg Wh
39	19182411	Washer 9/16 ID X 1-1/2 OD 11 Ga
40	7810H	Lock nut
41	159945	Adaptor Wheel Strg
42	145054X428	Boot Steering Dash
43	121749X	Washer 25/32 X 1 1/4 X 16 Ga
44	180640	Extension Steering Shaft LR/LT
46	121232X	Cap Spindle Fr Top Blk
51	73540400	Nut Crownlock 1/4-28
54	71130420	Bolt Hex 1/4-28unf x 1-1/4 Ga. 8
65	160367	Spacer Brace Axle
67	72140618	Bolt Rdhd Sq 3/8-16 Unc x 2-3/4
68	169827	Axle, Brace
71	175146	Steering Asm.
82	169835	Bracket Susp Chassis Front
87	173966	Washer Flat .781 x 1 1/2 x .14
88	175118	Bolt Shoulder 7/16-20
91	175553	Clip Steering

NOTE: All component dimensions given in U.S. inches
1 inch = 25.4 mm

REPAIR PARTS

www.ersatzteil-service.de

TRACTOR - MODEL NUMBER PR2042 (PPR2042STB), PRODUCT NO. 954 56 84-41
SEAT ASSEMBLY



KEY NO.	PART NO.	DESCRIPTION
1	171683	Seat
2	140551	Bracket Pivot Seat 8 720
3	71110616	Bolt Fin Hex 3/8-16unc X 1
4	19131610	Washer 13/32 X 1 X 10 Ga
5	145006	Clip Push-In
6	73800600	Nut Hex w/Ins. 3/8-16 Unc
7	124181X	Spring Seat Cprsn 2 250 Blk Zi
8	17000616	Screw 3/8-16 x 1.5 Smgml
9	19131614	Washer 13/32 X 1 X 14 Ga.
10	174894	Pan Seat
11	166369	Knob Seat
12	121246X	Bracket Mounting Switch

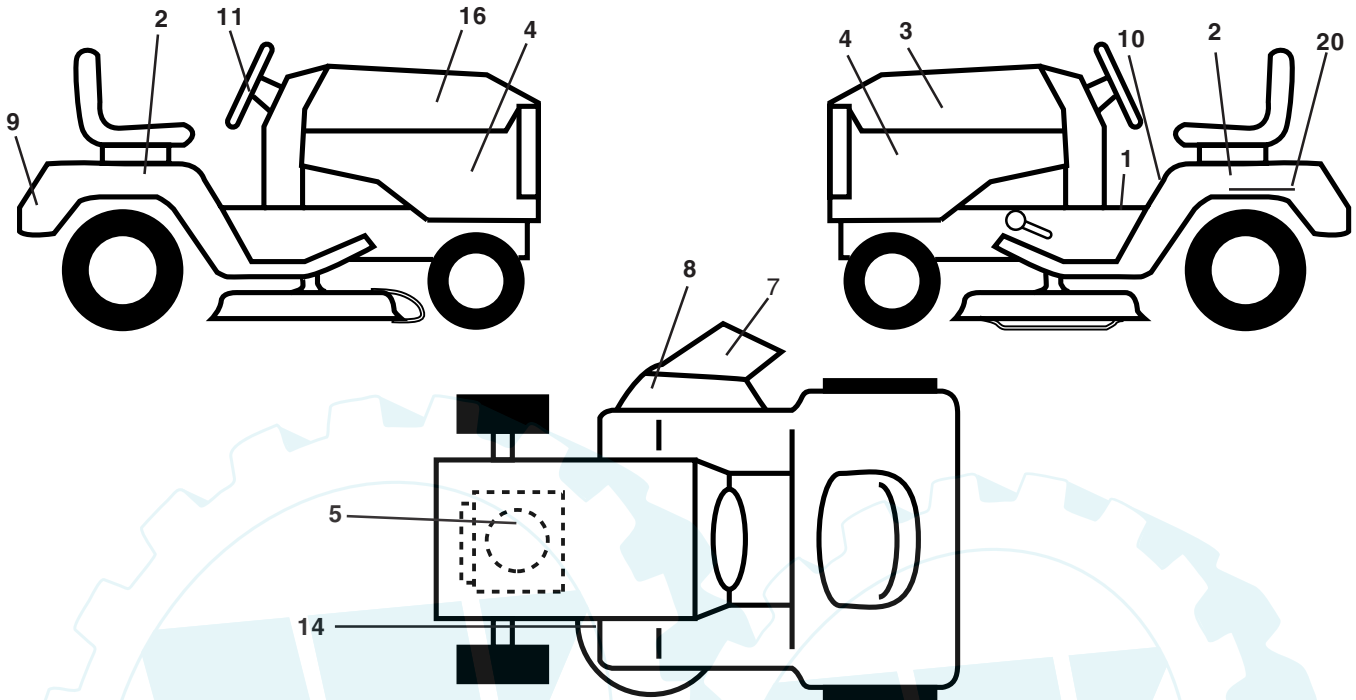
KEY NO.	PART NO.	DESCRIPTION
13	121248X	Bushing Snap Blk Nyl 50 Id
14	72050412	Bolt Rdhd Sqnk 1/4-20x1-1/2
15	134300	Spacer Split 28x 88
16	121250X	Spring Cprsn
17	123976X	Nut Lock 1/4 Lge Flg Gr 5 Zinc
21	171852	Bolt Shoulder 5/16-18 Unc
22	73800500	Nut Hex Lock W/Ins 5/16-18
24	19171912	Washer 17/32 X 1-3/16 X 12 Ga.
25	127018X	Bolt Shoulder 5/16-18 X 62

NOTE: All component dimensions given in U.S. inches
1 inch = 25.4 mm

REPAIR PARTS

www.ersatzteil-service.de

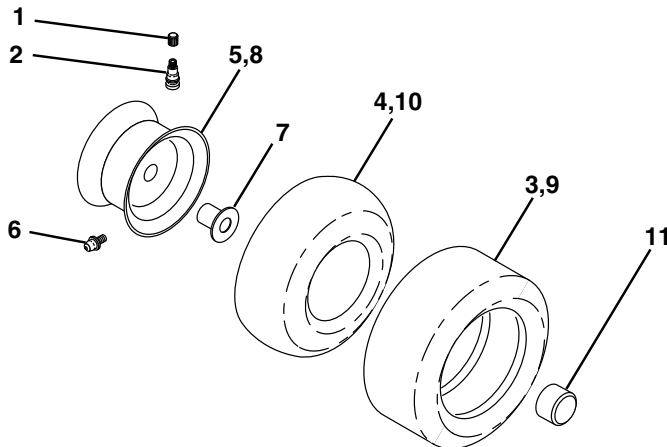
TRACTOR - MODEL NUMBER PR2042 (PPR2042STB), PRODUCT NO. 954 56 84-41
DECALS



KEY NO.	PART NO.	DESCRIPTION
1	156369	Decal Oper
2	176305	Decal Fender
3	176308	Decal Hood LH
4	177020	Decal Side Panel Logo
5	180710	Decal HP Engine
7	179128	Decal Deck "B" "42"
8	170563	Decal Mower Warn Keep Hand Away
9	172740	Decal Fender Logo
10	157140	Decal Fender Danger E/F

KEY NO.	PART NO.	DESCRIPTION
11	172743	Decal Ins Strg Whl
14	160396	Decal V-Belt Schematic
16	176307	Decal Hood Rh
20	145005	Decal Bat Dan/Psn
--	179769X428	Pad Footrest Rh
--	179768X428	Pad Footrest Lh
--	138311	Decal Handle Lft Height Adjust
--	173587	Decal Fend Reflector Rh
--	173589	Decal Fend Reflector Lh
--	183247	Manual Owner's (English)
--	183248	Manual Owner's (French)

WHEELS AND TIRES



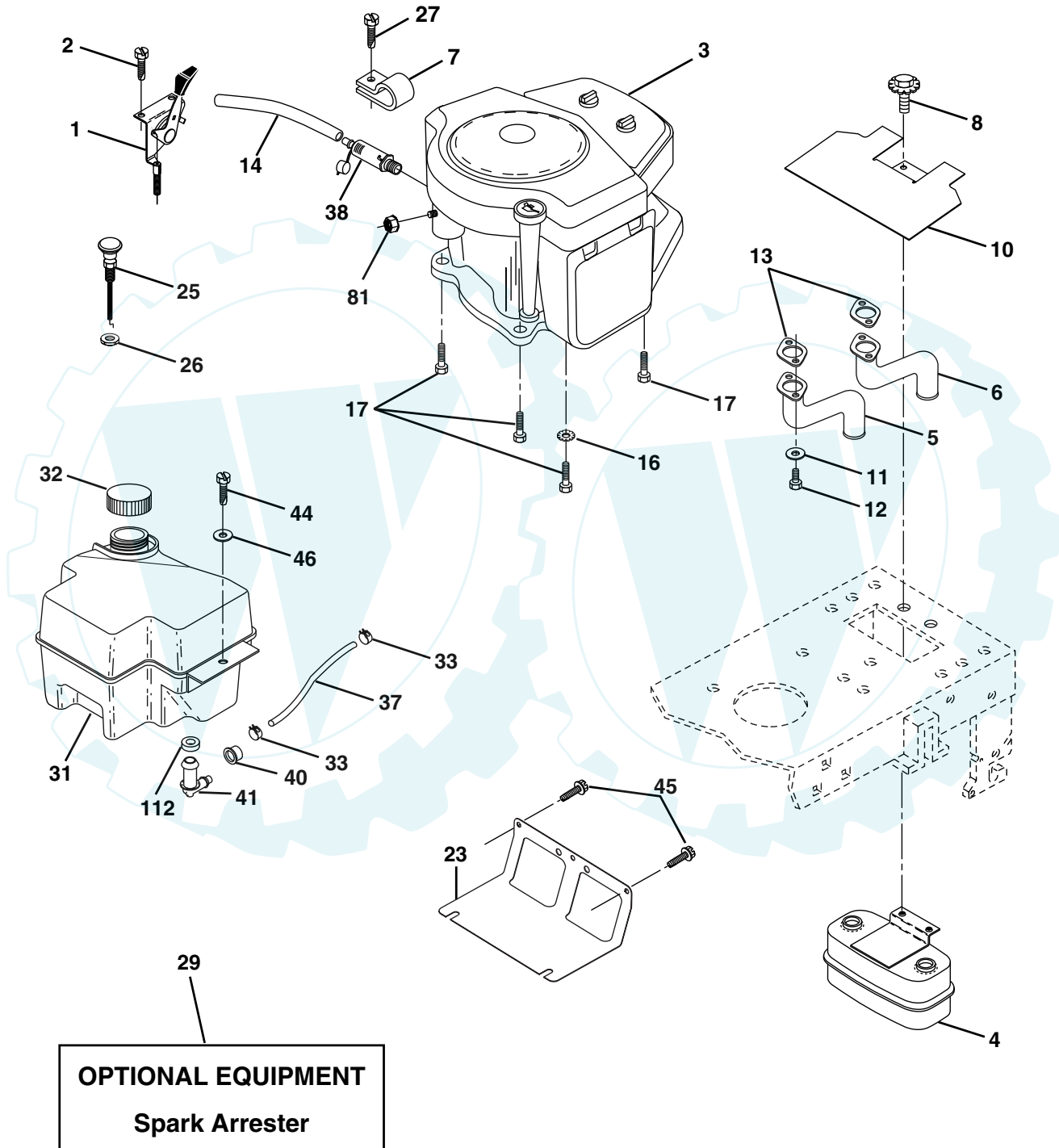
KEY NO.	PART NO.	DESCRIPTION
1	59192	Cap Valve Tire
2	65139	Stem Valve
3	170455	Tire F T 15 X 6 0 - 6 Service
4	59904	Tube Front (Service Item Only)
5	106732X421	Rim Asm 6"front Service
6	278H	Fitting Grease (Front Wheel Only)
7	9040H	Bearing Flange (Front Wheel nly)
8	106108X421	Rim Asm 8"rear Service
9	170456	Tire R T 20x10-8 Service
10	7152J	Tube Rear (Service Item Only)
11	104757X428	Cap Axle Blk 1 50 X 1 00
--	144334	Sealant, Tire (10 oz. Tube)

NOTE: All component dimensions given in U.S. inches
1 inch = 25.4 mm

REPAIR PARTS

www.ersatzteil-service.de

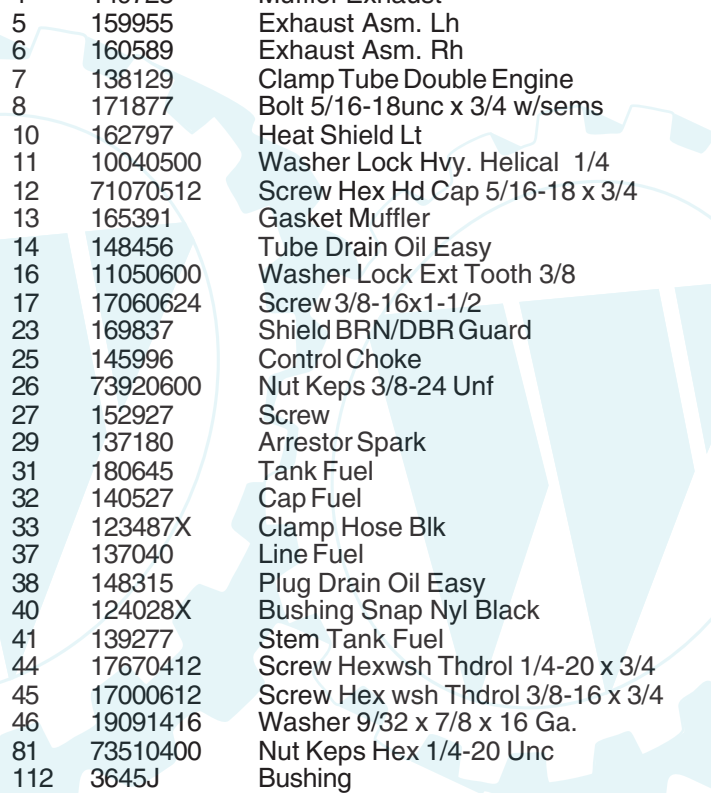
TRACTOR - MODEL NUMBER PR2042 (PPR2042STB), PRODUCT NO. 954 56 84-41
ENGINE



REPAIR PARTS

www.ersatzteil-service.de

TRACTOR - MODEL NUMBER PR2042 (PPR2042STB), PRODUCT NO. 954 56 84-41 ENGINE



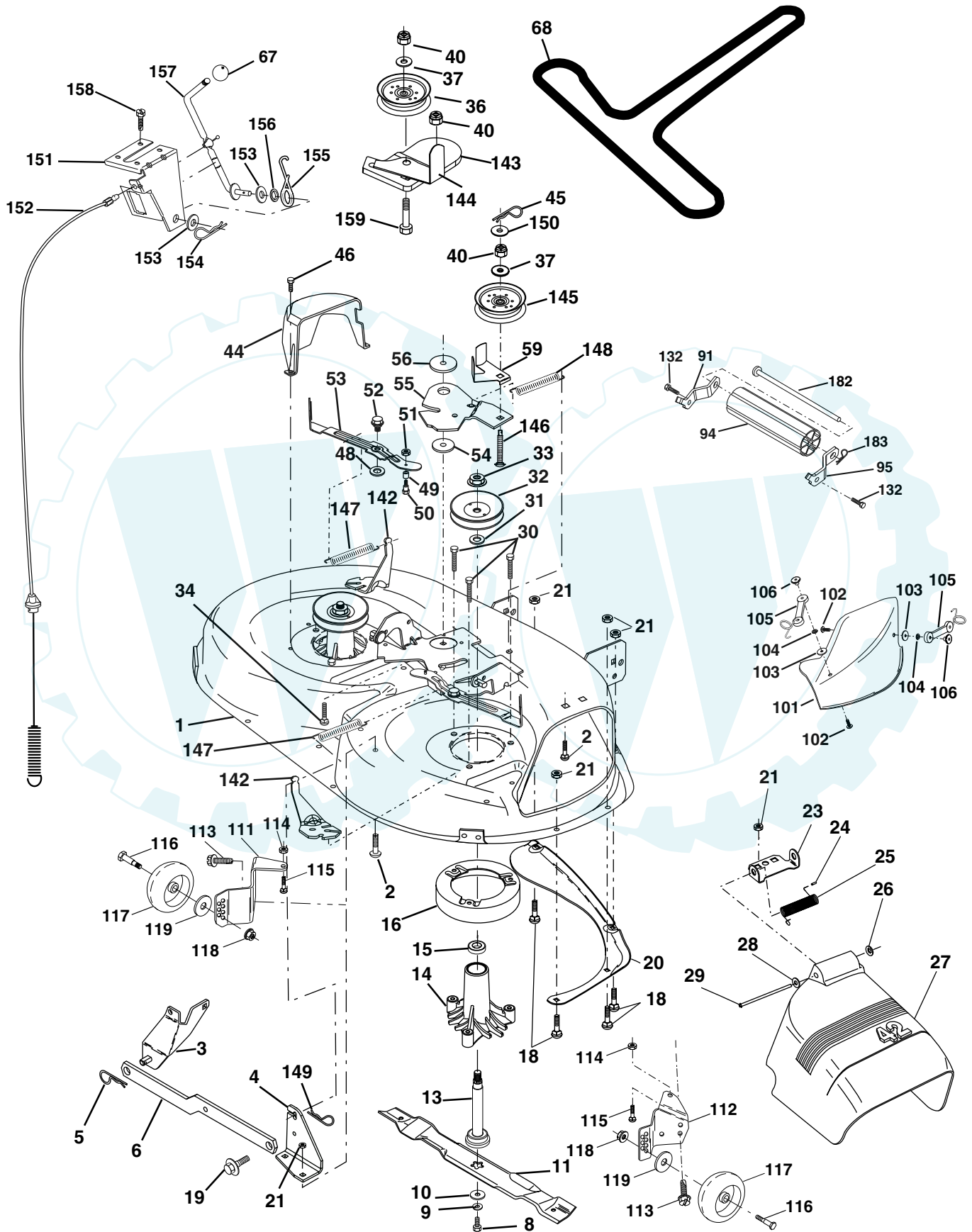
KEY NO.	PART NO.	DESCRIPTION
1	170771	Control Throt
2	17720408	Screw Hex Thd Cut 1/4-20x5/8 T
3	-----	Engine B&S Model No. 407777 (Order parts from engine manufacturer)
4	149723	Muffler Exhaust
5	159955	Exhaust Asm. Lh
6	160589	Exhaust Asm. Rh
7	138129	Clamp Tube Double Engine
8	171877	Bolt 5/16-18unc x 3/4 w/sems
10	162797	Heat Shield Lt
11	10040500	Washer Lock Hvy. Helical 1/4
12	71070512	Screw Hex Hd Cap 5/16-18 x 3/4
13	165391	Gasket Muffler
14	148456	Tube Drain Oil Easy
16	11050600	Washer Lock Ext Tooth 3/8
17	17060624	Screw 3/8-16x1-1/2
23	169837	Shield BRN/DBR Guard
25	145996	Control Choke
26	73920600	Nut Keps 3/8-24 Unf
27	152927	Screw
29	137180	Arrestor Spark
31	180645	Tank Fuel
32	140527	Cap Fuel
33	123487X	Clamp Hose Blk
37	137040	Line Fuel
38	148315	Plug Drain Oil Easy
40	124028X	Bushing Snap Nyl Black
41	139277	Stem Tank Fuel
44	17670412	Screw Hexwsh Thdrol 1/4-20 x 3/4
45	17000612	Screw Hex wsh Thdrol 3/8-16 x 3/4
46	19091416	Washer 9/32 x 7/8 x 16 Ga.
81	73510400	Nut Keps Hex 1/4-20 Unc
112	3645J	Bushing

NOTE: All component dimensions given in U. S.
inches 1 inch = 25.4 mm

REPAIR PARTS

www.ersatzteil-service.de

TRACTOR - MODEL NUMBER PR2042 (PPR2042STB), PRODUCT NO. 954 56 84-41
MOWER DECK



Der Ersatzteilspezialist im Internet.

REPAIR PARTS

www.ersatzteil-service.de

TRACTOR - MODEL NUMBER PR2042 (PPR2042STB), PRODUCT NO. 954 56 84-41 MOWER DECK

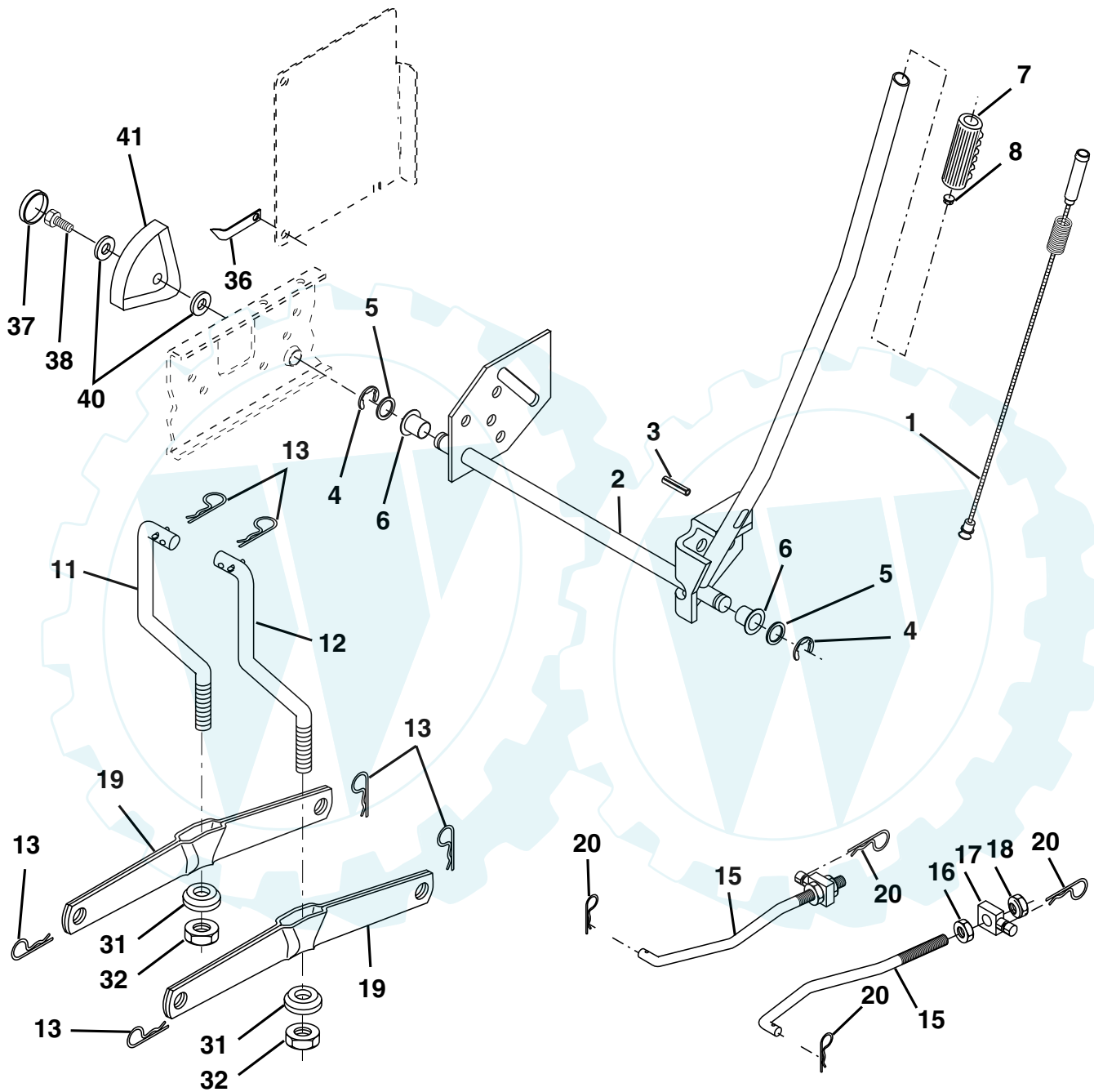
KEY NO.	PART NO.	DESCRIPTION	KEY NO.	PART NO.	DESCRIPTION
1	165892X421	Mower Deck Assembly, 42"	68	144959	V-Belt, 42" Mower
2	72140506	Bolt	91	180532	Bracket Roller Nose Lh
3	138017	Bracket Asm Fr. Sway Bar 3/42	94	132264	Roller Nose 38 & 42
4	165460	Bracket Asm Deck 42" Sway Bar	95	180533	Bracket Roller Nose Rh
5	4939M	Retainer Spring	101	136420	Mulcher Cover
6	178024	Bar Sway Deck	102	71081010	Screw Pan Hd Phillips 10-24 x 5/8
8	850857	Bolt 3/8-24 x 25 Gr. 8 patched	103	19061216	Washer, Flat
9	10030600	Washer, Lock	104	10071000	Washer, Lock
10	140296	Washer, Hardened	105	160793	Latch Assembly
11	134149	Blade, Mulching 42" Std	106	2029J	Nut, Weld
	138498	Blade Mower 42" Hi-Lift Std	111	179292X421	Bracket, Ga., Wheel LH
13	137645	Shaft Assembly, Mandrel, Vented	112	179293X421	Bracket, Ga., Wheel RH
14	128774	Housing, Mandrel, Vented	113	17060510	Screw 3/8-16 x .625
15	110485X	Bearing, Ball, Mandrel	114	73510500	Nut, Keps 5/16 - 18 Unc
16	174493	Stripper, Mower Deck	115	72110505	Bolt, Carriage 5/16-18 x 5/8
18	72140505	Bolt, Carriage 5/16-18 x 5/8	116	4898H	Bolt, Shoulder
19	132827	Bolt, Shoulder	117	165746	Wheel, Ga.
20	159770	Baffle, Vortex	118	73930600	Nut Centerlock 3/8-16
21	73680500	Nut	119	19121414	Washer 3/8 x 7/8 x 14 Ga.
23	177563	Bracket, Deflector Mower 42"	121	173986	Bracket, Extruded
24	105304X	Cap, Sleeve 80 x 112 Blk Mower	132	17060612	Screw 3/8-16 x .75
25	123713X	Spring, Torsion, Deflector 2 52	142	165890	Arm Spring Brake Mower
26	110452X	Nut, Push Phos & Oil	143	157109	Bracket Arm Idler 42"
27	130968X428	Shield, Deflector 42" Blk	144	173441	Keeper Belt 42" Clutch Cable
28	19111016	Washer 11/32 x 5/8 x 16 Ga.	145	173437	Pulley Idler Flat
29	131491	Rod, Hinge 42" 6 75 W/G	146	173443	Bolt Carriage Idler
30	173984	Screw Thdrol	147	131335	Spring Extension
31	129963	Washer, Spacer Mower Vented	148	169022	Spring Return Idler
32	173436	Pulley, Mandrel	149	165898	Retainer Spring Yellow
33	178342	Nut, Toplock 9/16	150	19091216	Washer 9/32 x 3/4 x 16 Ga.
34	72110614	Bolt	151	169670	Bracket Clutch Cable
36	173438	Pulley, Idler, Flat	152	169676	Clutch Cable 42"
37	19131316	Washer 13/32 x 13/16 x 16 Ga.	153	169674	Washer Flat 3/8" Type B
40	73680600	Nut	154	169675	Spring Retainer
44	140088	Guard, Mandrel, LH	155	169671	Spring Retention LVR CLTCH CAB
45	4497H	Retainer	156	169672	Spacer Clutch Cable
46	137729	Screw, Thdrol 1/4-20 x 5/8 T	157	169669	Rod Clutch Cable 3/8"
48	133944	Washer, Hardened	158	17720408	Screw Hex Thd Cut 1/4-20 x 1/2
49	174284	Roller Assembly, Cam Follower	159	72140614	Bolt Rdhd Sqn 3/8-16 Unc x 1-3/4
50	131340	Bolt, Shoulder #10-24 Grade 5	182	179126	Rod Roller Nose
51	69180	Locknut	183	163552	Retainer Spring
52	139888	Bolt, Shoulder 5/16-18 Unc	--	130794	Mandrel Assembly (Includes Housing, Shaft and Shaft Hardware Only- Pulley not included)
53	131845	Arm Assembly, Pad, Brake			Mower Deck, Complete
54	133943	Washer, Hardened			
55	155046	Arm, Idler	--	172559	
56	122052X	Spacer, Retainer			
59	173442	Guard TUV Idler			
67	171598	Knob Round			

NOTE: All component dimensions given in U.S. inches
1 inch = 25.4 mm

REPAIR PARTS

www.ersatzteil-service.de

TRACTOR - MODEL NUMBER PR2042 (PPR2042STB), PRODUCT NO. 954 56 84-41
MOWER LIFT



REPAIR PARTS

www.ersatzteil-service.de

TRACTOR - MODEL NUMBER PR2042 (PPR2042STB), PRODUCT NO. 954 56 84-41
MOWER LIFT

KEY NO.	PART NO.	DESCRIPTION
1	159460	Wire Asm Inner/Sprg W/plunger LT
2	159471	Shaft Asm Lift RH w/Inf
3	105767X	Pin Groove 1 500 Zinc
4	12000002	E Ring #5133-62
5	19211621	Washer 21/32 X 1 X 21 Ga
6	120183X	Bearing Nylon Blk 629 Id
7	125631X	Grip Handle
8	170770	Button Plunger
11	139865	Link Lift LH Fixed Length
12	139866	Link Lift RH Fixed Length
13	4939M	Retainer Spring
15	173288	Link Front
16	73350800	Nut Jam Hex 1/2-13 Unc
17	175689	Trunnion
18	73800800	Nut Lock W/Wsh 1/2-13 Unc
19	139868	Arm Suspension Rear
20	163552	Retainer Spring
31	169865	Bearing Pvt Lift
32	73540600	Nut Crownlock 3/8 - 24
36	155097	Pointer Height Indicator
37	123935X	Plug Hole Blk. 1.485/1.515 Dia.
38	17060516	Screw 5/16-18 x 1
40	19112410	Washer 11/32 x 1-1/210 Ga.
41	155098	Indicator Height STLT

NOTE: All component dimensions given in U.S. inches
1 inch = 25.4 mm