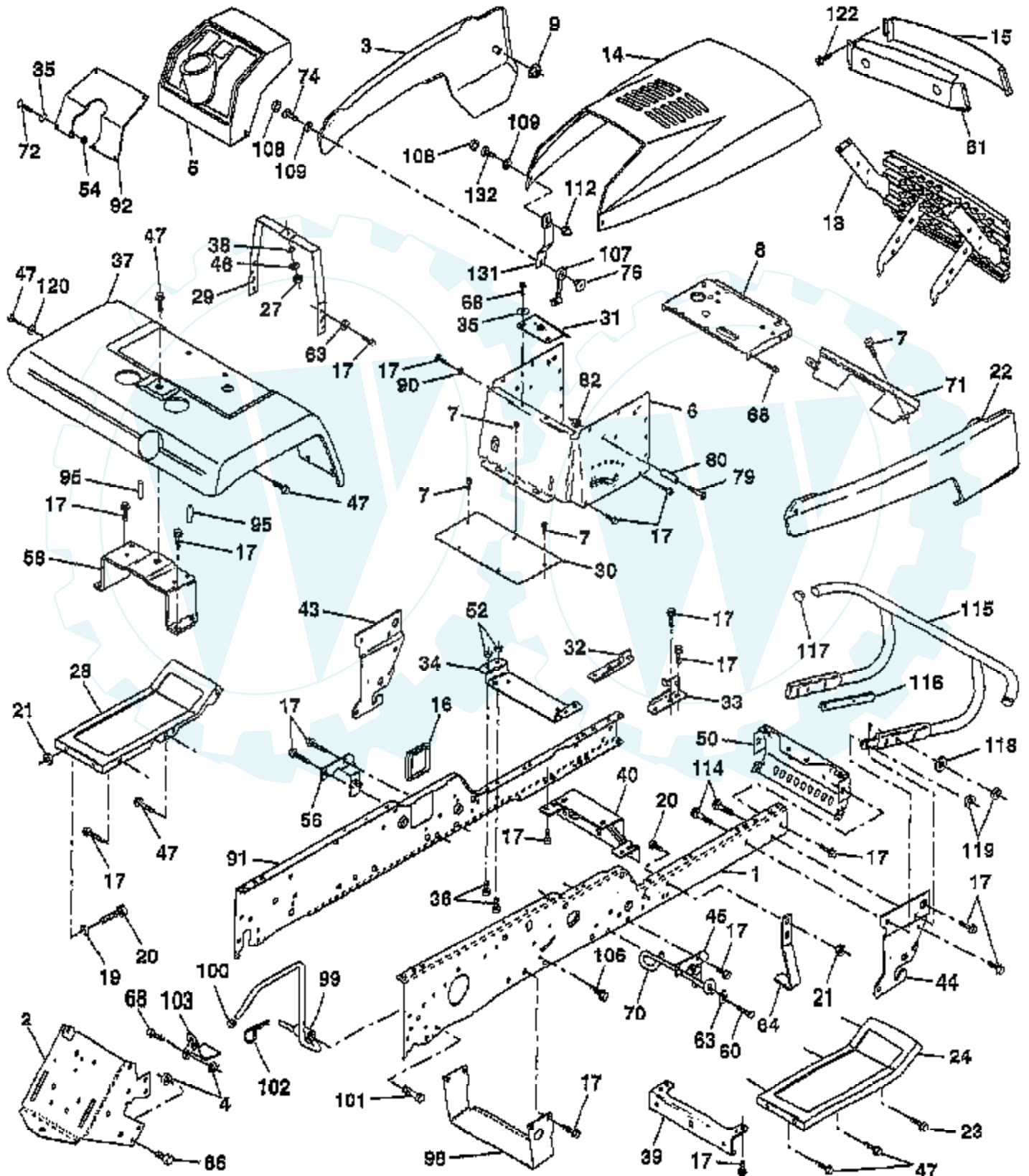


**TRACTOR - - MODEL NO.
CHASSIS AND ENCLOSURES**

(PP22H50B), PRODUCT NO. 954 19 00-25

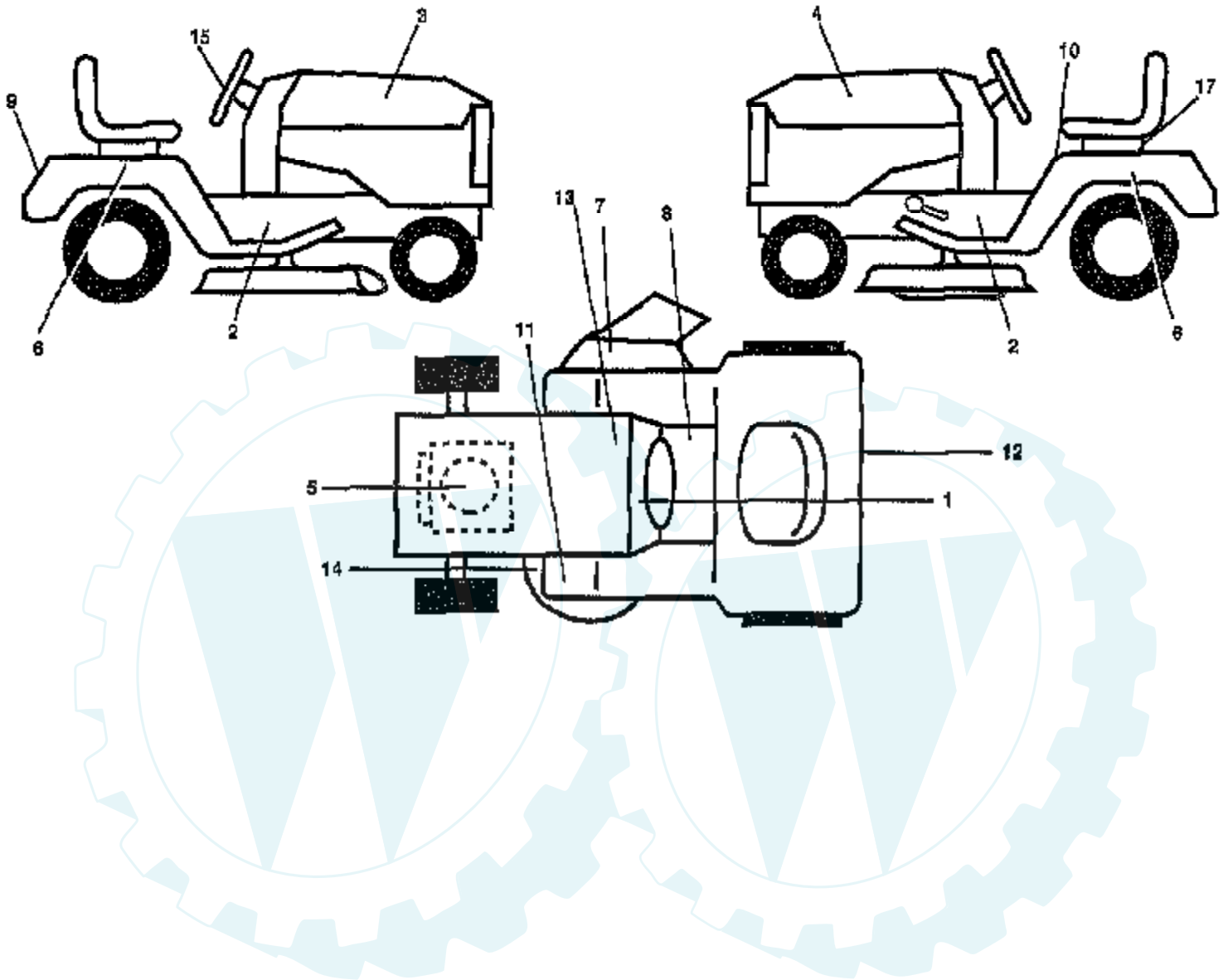


Ref #	Part Number	Qty	Description
1	150253		"RAIL,FRAME RH"
2	140506		DRAWBAR GT
3	150302X428		"PANEL ASM-SIDE,LH"
4	73800700		NUT.7/16
5	140398		DASHBOARD BLACK
6	157882		DASH LOWER
7	17720408		SCREW
8	145166		SUPPORT.DASH.BTRY
9	108067X		PAL NUT LT
14	150301X428		"HOOD, YARD PRO"
15	146459		LENS.BAR.CLEAR
16	121794X		COVER ACCESS
17	17490612		SCREW
18	150198		GRILLE
19	19131312		WASHER
20	74760616		BOLT
21	73680600		SUB= 73690600
22	150303X428		"PANEL ASM SIDE,RH"
23	17490616		SCREW GTV
24	145243X505		FOOTREST.RH.LT/GT
27	73220400		SUB= 50675
28	145244X505		FOOTREST.LH.LT/GT
29	145205		DASH.SUPT.YP/HUSQ
30	145052		SADDLE.HYDRO.95
31	161419		BRKT SUPT 1-PC VG
32	141315		BRACKET ASM FRAME
33	141314		BRACKET ASM FRAME
34	142131		BRACKET.ENG.SUPT.
35	19111116		WASHER
36	74780512		BOLT
37	140002X505		FENDER.PNT.
38	10040400		LOCKWASHER
39	136961		BRACKET.AXLE.FRT.
40	156111		"BRKT SUPPORT,AXLE"
43	136939		BRACKET.SUS.FT.LH
44	136940		BRACKET.SUS.FT.RH
45	154913		BRACKET.SUSP.RH.
46	19091216		WASHER PM
47	17490608		SCREW LT
50	152728		"BRKT CHASSIS,FRNT"
52	73680500		SUB= 73690500
54	73510500		NUT
56	154914		BRACKET.SUSP.LH.
58	137113		BRKT.ASM.FENDER
60	17490620		SCREW
61	147717		BEZEL.ASM.
63	19131614		WASHER
68	17490508		SCREW LT
70	137159		GUIDE.BELT.MID.SP
71	144916X428		STRAP-GRILLE
72	74180512		SCREW
74	74191008		SCREW
76	2029J		WELDNUT
79	74981020		SCREW
80	7206J		SPACER LT
82	73731000		NUT
84	142992		STOP OVER CENTER
86	74760716		BOLT

Ref #	Part Number	Qty	Description
90	11050600		LOCKWASHER
91	156586		"RAIL FRAME,LH"
92	156283X011		PLATE, SILKSCREEN DASH
95	105531X		NUT-PUSH YT
98	140503		BRACKET SKID CHAS
99	140871		ROD BYPASS
100	124236X		CAP
101	17490628		SCREW LT
102	4497H		RETAINER M
103	142273		LOCK BYPASS BRKT
106	138776		SUB= 157722
107	109808X		HOOD LATCH T
108	110356X		SNAP CAP LT
109	110357X		WASHER LT
112	60867		ACORN NUT RB
114	72140610		BOLT.3/8-14X1.25
115	150300		BUMPER.ASM
116	141461		BRACKET.EXT.BUMP.
117	143679		PLUG.PLASTIC
118	19131316		WASHER
119	73680600		SUB= 73690600
120	19131616		WASHER HYT
122	161464		SCREW.HEX.WS.HD
131	150195		BKT.SPT.HOOD/PANL
132	74291006		SCREW.10-24X3/8.
	8022J		PLUG-DASH T

**TRACTOR -- MODEL NO.
DECALS**

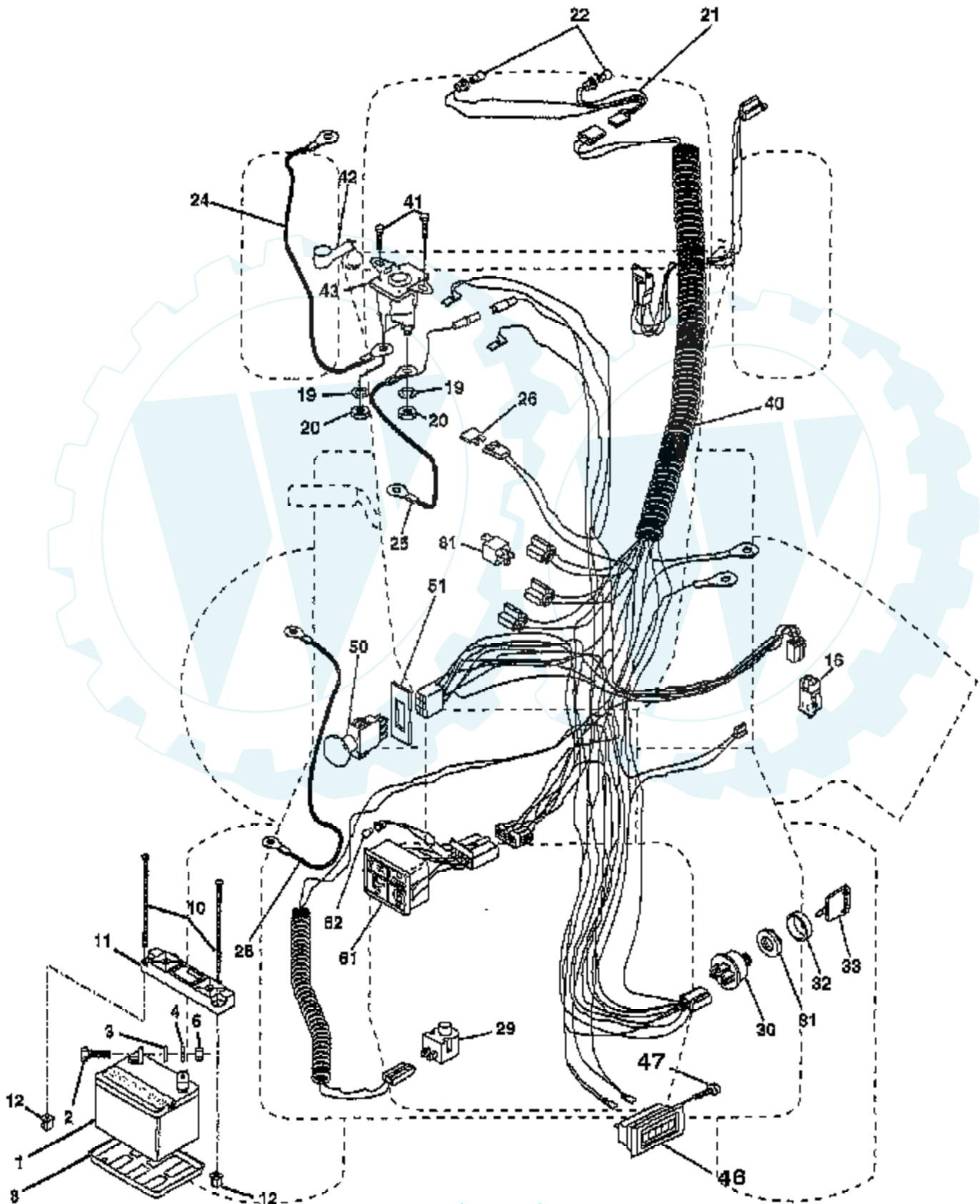
(PP22H50B), PRODUCT NO. 954 19 00-25



Ref #	Part Number	Qty	Description
1	156835		"DECAL-INST,OPER"
2	162897		"DECAL.CHASSIS.50"""
3	162895		DECAL.HOOD.RH
4	162896		DECAL.HOOD.LH
5	24-113-13		DECAL/D-BAR CTRL MVT HYD YT/GT
6	162898		DECAL.FENDR.AUTO
7	137259		"DECAL, WARNING"
8	140837		DECAL BRAK PARK
9	157849		DECAL.FENDER.BELT.GUARD
10	157140		DECAL.CAUT.ENG/FR
11	101892X		DECAL T
12	142342		DECAL D-BAR CNTRL
13	145005		DECAL.BATRY.3-3908
14	160397		SUB= 532160397
15	158048		DECAL INS STRG WH
17	150496		RETAINER-SPRING
	138311		DECAL HANDLE LIFT
	157199		"PAD-FOOTREST,SQ"
	162693		MANUAL.O.PP22H50B
	162694		MANUAL.O.PP22H50B.F
	SH10		SLEEVE HITCH
	TS20		8 HP TILLER
	TR72		SNOW BLADE
	SB80		42" SNOW THROWER
	TR01		GRADER BLADE
	TA2151		AG TIRES

**TRACTOR -- MODEL NO.
ELECTRICAL**

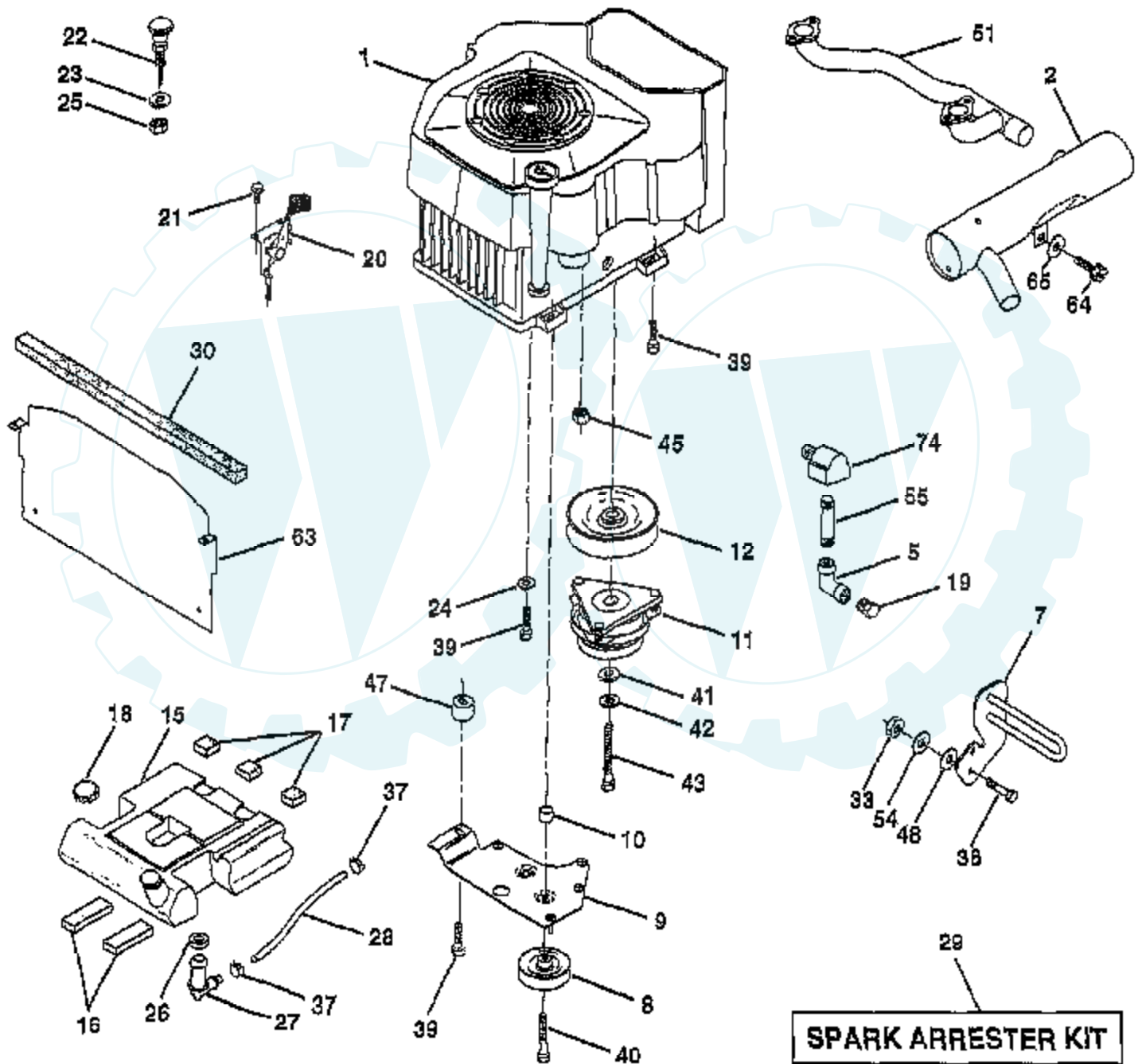
(PP22H50B), PRODUCT NO. 954 19 00-25



Ref #	Part Number	Qty	Description
	REFER		REFER TO IMAGE
1	144927		SUB= 125603X
2	74760412		BOLT LT
3	10040400		LOCKWASHER
4	19091016		WASHER
6	73220400		SUB= 50675
8	7603J		"TRAY T, BATTERY"
10	145211		SUB= 150177
11	150109		HOLDDOWN BATTERY
12	145769		SUB= 150177
16	153664		SWITCH INTERLOCK
19	10090400		SUB= 10040400
20	73350400		NUT
21	136850		"HARNES, LIGHT SOC"
22	4152J		HEADLAMP BULB
24	4014J		CABLE. BATY. 22. RED
25	146686		CABLE. BATRY. 4GA.
26	108824X		FUSE HYT
28	157899		"CABLE BATTERY, GRD"
29	160784		SWITCH. PLUNGER
30	140301		SWITCH IGN 4POS
31	124211X		NUT IGNITION
32	141226		COVER KEY SWITCH
33	122147X		KEY
40	160730		HARNES. IGNITION
41	17720408		SCREW
42	131563		SUB= 154336
43	145673		SUB= 146154
46	110940X		HOUR METER T
47	17011008		SCREW
50	154959		PTO SWITCH. BLK
51	140405		RING RETAIN PTO
61	138101		LIGHT. PKG. ASM.
62	110143X		BULB LIGHT T
81	109748X		RELAY ASSY T

**TRACTOR -- MODEL NO.
ENGINE**

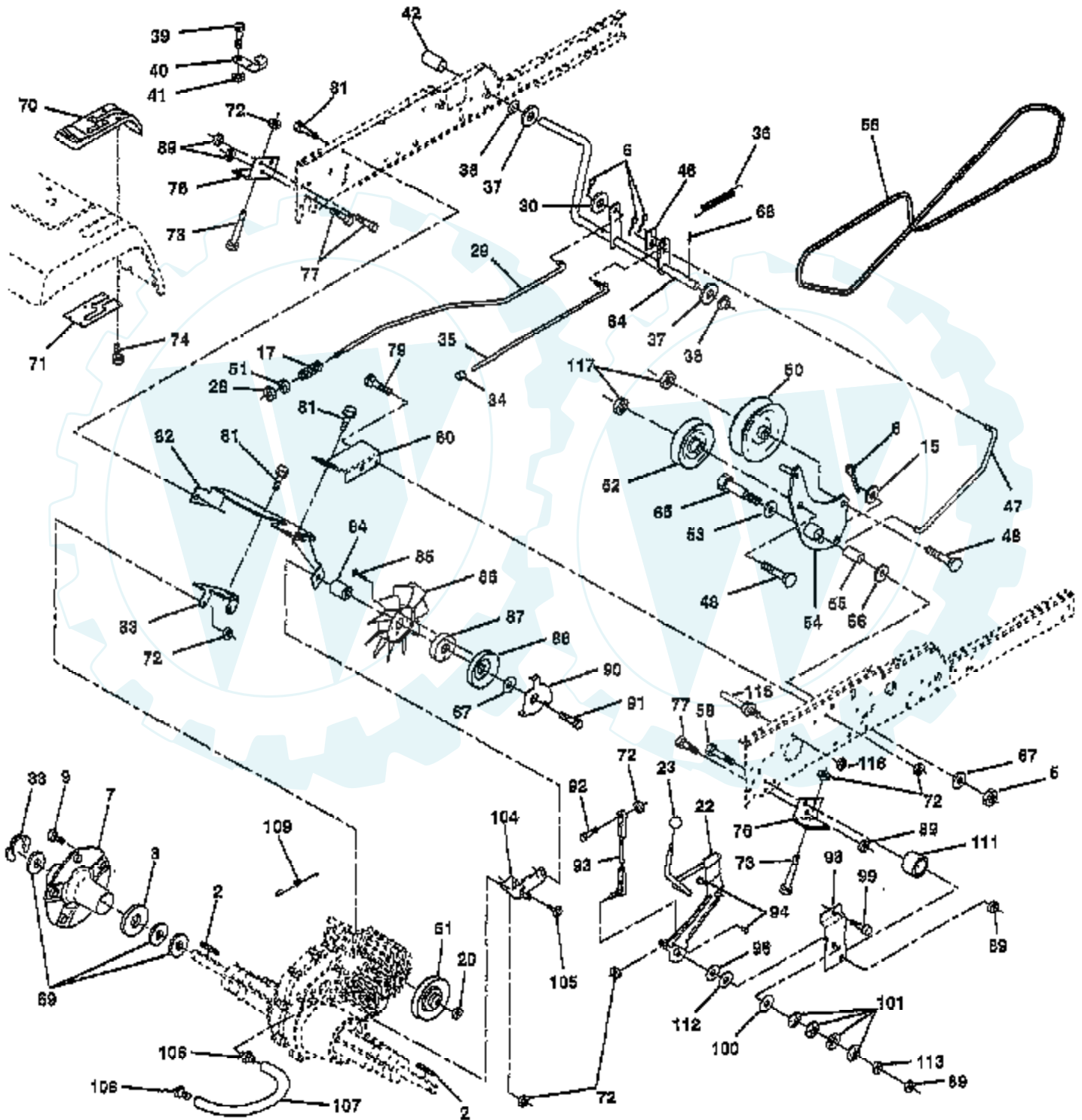
(PP22H50B), PRODUCT NO. 954 19 00-25



Ref #	Part Number	Qty	Description
1	SUPPLIER		CHECK WITH SUPPLIER
2	161062		MUFFLER SIDE1-1/8
5	13200300		ELBOW
7	151396		GUARD.MUFFLER.ASM
8	121361X		SUB= 139123
9	150828		KEEPER ASM BELT
10	105432X		BUSHING.
11	140923		SUB= 150283
12	143996		PULLEY.ENG.CLUTCH
15	151346		TANK FUEL REAR
16	109227X		PAD IDLER TI
17	106082X		PAD-SPACER LT
18	140527		CAP ASM FUEL
19	SUPPLIER		CHECK WITH SUPPLIER
19	13290300		PLUG T
20	132747		SUB= 532132748
21	17720410		SCREW LT
22	132781		CHOKE CONTROL
23	19131316		WASHER
24	11050600		LOCKWASHER
25	73920600		"NUT,KEPS 3/8-24IM"
26	3645J		BUSHING OUTLET T
27	139277		STEM.TANK.FUEL
28	7834R		SUB= 8542R
29	132920		SPARK ARREST KIT
30	105037X		FOAM-STRIP LT
33	73800600		NUT
37	123487X		HOSE CLAMP
38	74780624		"BOLT,HEX"
39	17490636		SCREW.3/8-16X2.25
40	17490664		SCREW.TT.3/8-16X4
41	126197X		WASHER
42	10040700		LOCKWASHER
43	150280		BOLT.7/16-20X4.25
45	128861		NUT
47	142040		SPACER.ENGINE
48	19132007		WASHER T
51	161230		MANIFOLD PIPE VGT
54	19131414		WASHER
55	13280336		PIPE NIPPLE LT
63	145549		HEAT.SHIELD.VGT.
64	1740612		SCREW THDROL 3/8-16
65	19131614		WASHER
74	162295		ELBOW STREET BASS

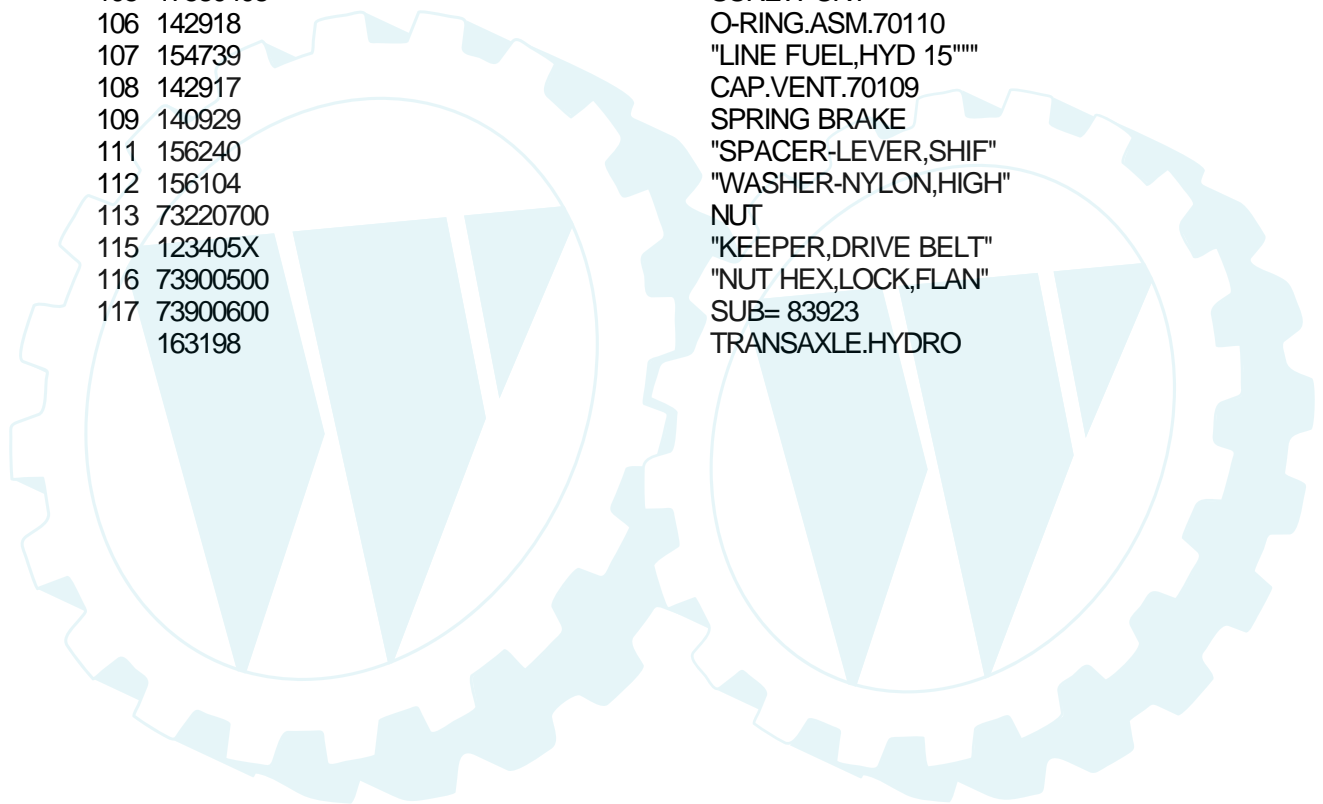
**TRACTOR - - MODEL NO.
GROUND DRIVE**

(PP22H50B), PRODUCT NO. 954 19 00-25

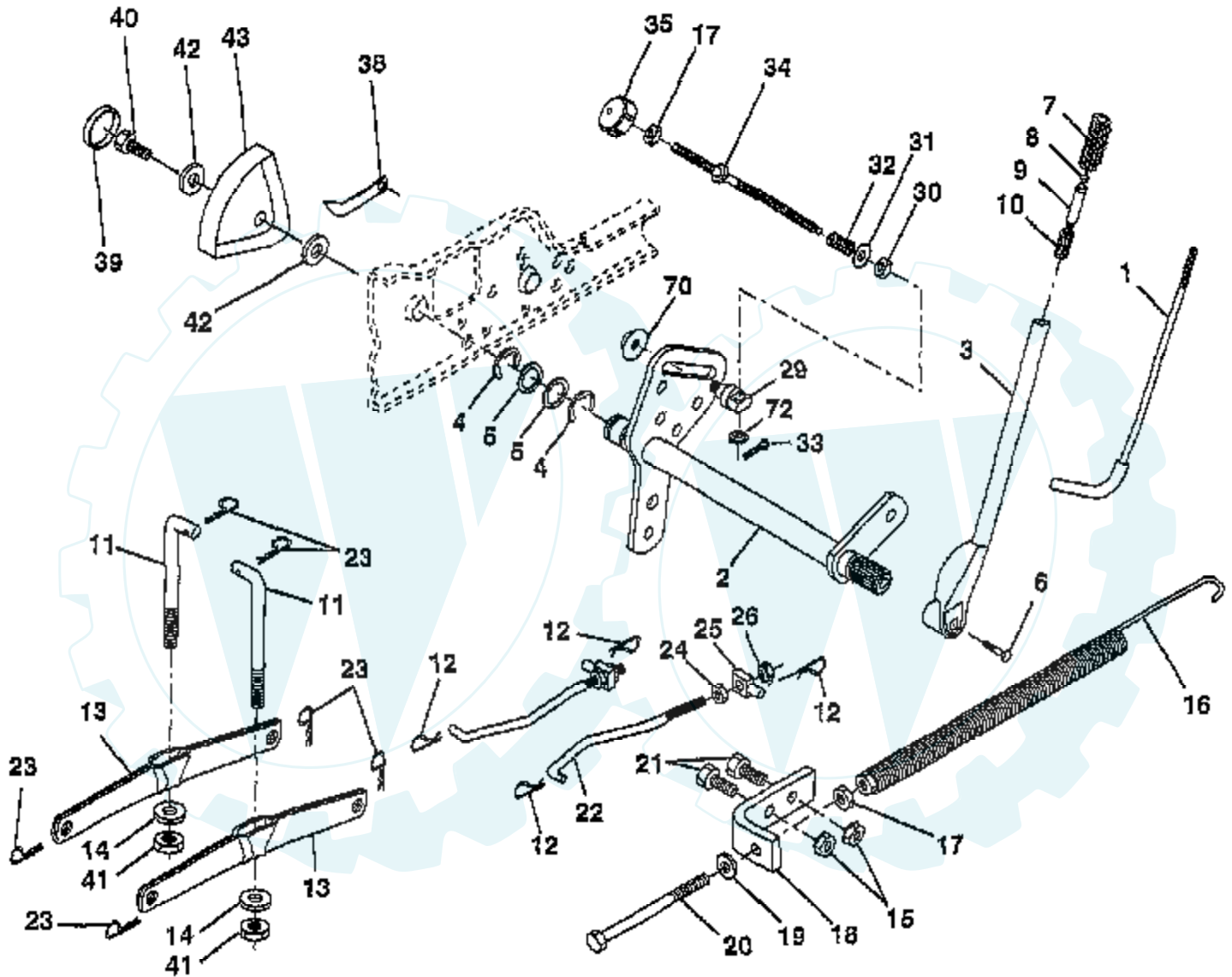


Ref #	Part Number	Qty	Description
2	7070E		KEY 1/4 X 2.5
3	7563R		WASHER T
5	73680600		SUB= 73690600
6	76020412		COTTER PIN
7	140507		HUB WHEEL ASM
9	140080		BOLT.HUB.WHL.REAR
15	19131316		WASHER
17	140921		SPRING ROD BRAKE
20	73940800		SUB= 73360800
22	156103		ARM ASM SHIFT
23	121274X		KNOB.DUCKHEAD.1/2
28	73350600		NUT
29	140494		ROD BRAKE
30	19131616		WASHER HYT
33	12000053		E RING HYT
34	71673		PLUNGER CAP T
35	137648		ROD BRAKE PART GT
36	149412		SPRING.GRND.DRIVE
37	121749X		WASHER
38	150035		BUSHING.NYLINER
39	74321016		SCREW
40	5304J		ACT-SWITCH T
41	73661000		NUT.FLANGE
42	123533X		"COVER,PEDAL"
46	145170		RETAINER.SPRING
47	138228		ROD.CLUTCH
48	72110612		BOLT.3/8-16X1.50
50	131494		FLAT IDLER PULLEY
51	73680600		SUB= 73690600
52	139123		PULLEY.IDLER.V.GR
53	207J		WASHER T
54	161590		CLUTCH.ARM.ASM
55	105706X		"LY, BEARING"
56	140218		BELT-V 84.5
58	74760724		BOLT
61	140488		PULLEY TRANSAXLE
64	154752		SHAFT-BRAKE/CLUTC
65	67609		AXLE BOLT
66	140296		WASHER.HARD.BLADE
67	19131312		WASHER
68	5142H		ROLL PIN STD
69	123800X		WASHER
70	151146		SUB= 164892
71	151179		"PLATE CONSOLE,SFT"
72	73800500		NUT
73	74490548		BOLT.HEX.FLGHD.
74	142432		SCREW HEXWSH H-L
76	140481		BRACKET TRAN VGTH
77	74760716		BOLT
79	72110505		BOLT
80	140484		BRACKET TORQUE RH
81	17490612		SCREW
82	150586		BRACKET.MTG.FAN
83	140479		STRAP TORQUE MID
84	140490		SPACER
85	17541020		SCREW YTV
86	140462		"FAN 7"" HYDRO"
87	140491		ADAPTER FAN

Ref #	Part Number	Qty	Description
88	161592		PULLEY FAN
89	73680700		NUT GTV
90	140489		KEEPER BELT
91	17490644		SCREW.HXWSH.3/8
92	74760520		BOLT
93	140502		LINK ASM SHIFT
94	133835		XMAS TREE FASTNER
96	141103		WASHER NICKEL PLT
98	141004		BRACKET SHIFT
99	17490624		SCREW LT
100	126881X		WASHER COMPRESSIN
101	156106		WASHER-BELLVILLE
104	140480		BRACKET IDLER
105	17580408		SCREW CRT
106	142918		O-RING.ASM.70110
107	154739		"LINE FUEL,HYD 15""
108	142917		CAP.VENT.70109
109	140929		SPRING BRAKE
111	156240		"SPACER-LEVER,SHIF"
112	156104		"WASHER-NYLON,HIGH"
113	73220700		NUT
115	123405X		"KEEPER,DRIVE BELT"
116	73900500		"NUT HEX,LOCK,FLAN"
117	73900600		SUB= 83923
	163198		TRANSAXLE.HYDRO



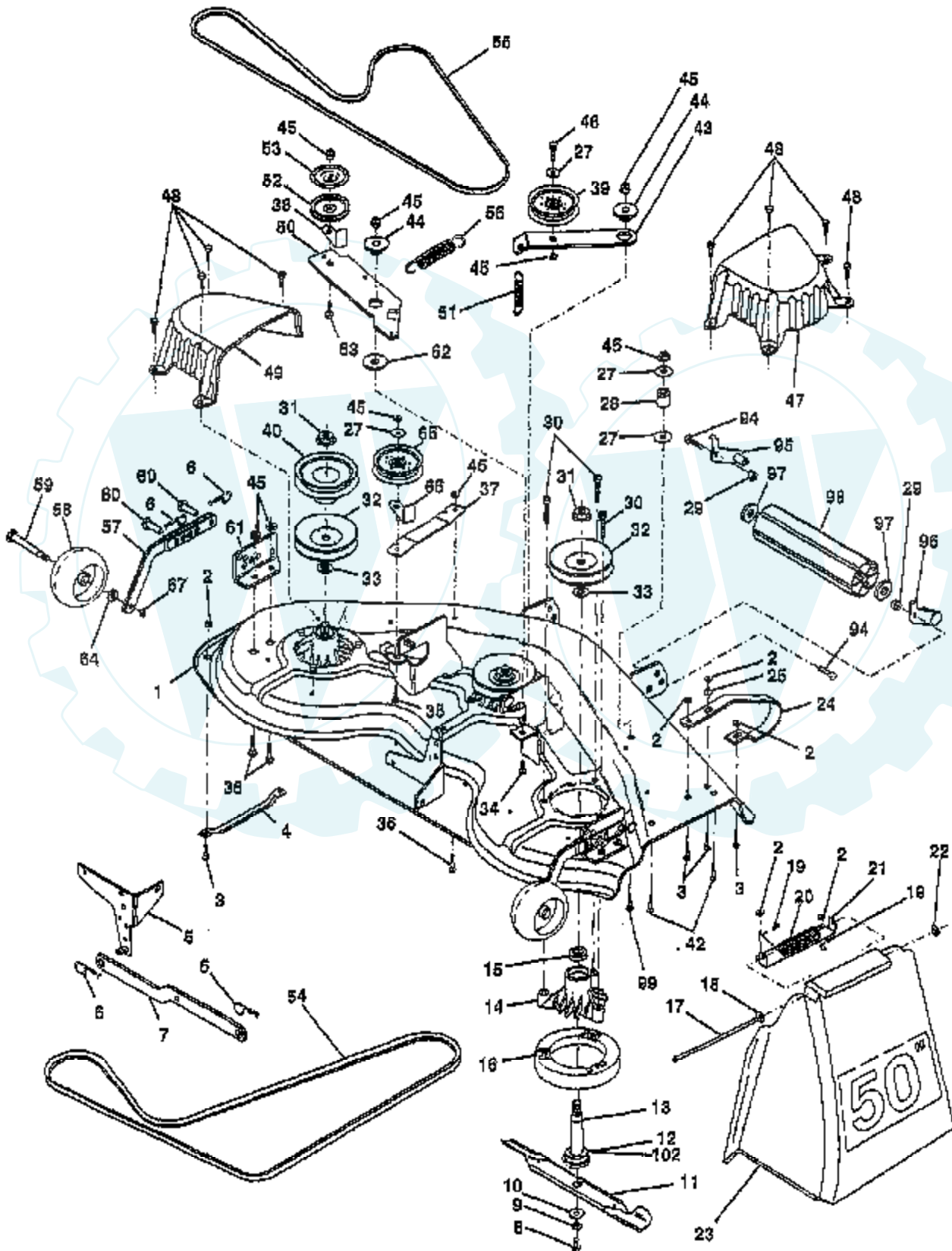
TRACTOR -- MODEL NO. PP22H50 (PP22H50B), PRODUCT NO. 954 19 00-25
LIFT ASSEMBLY



Ref #	Part Number	Qty	Description
1	121006X		LEVER ROD LT
2	154389		SHAFT AMS LIFT
3	121002X		SUB= 123096X
4	12000022		E-RING
5	19292016		WASHER
6	74780624		"BOLT,HEX"
7	109413X		GRIP
8	124526X		SUB= 125925X
9	122364X		SUB= 125925X
10	2876H		SPRING T
11	146704		LINK.LIFT.MWR.VGT
12	163552		RETAINER SPRING
13	139868		ARM SUSP REAR
14	140302		BEARING PVT LH
15	73680600		SUB= 73690600
16	674A247		SUB= 918674A247
17	73350600		NUT
18	143363		BRACKET SPRING AS
19	19131316		WASHER
20	5328J		BOLT-ADJ SPRING T
21	74760616		BOLT
22	127218		LINK.FRONT
23	4939M		SUB= 85902
24	73350800		NUT
25	130171		TRUNION
26	73800800		NUT.LK.W/WSH.1/2.
29	150233		TRUNNION
30	110807X		NUT T
31	19131016		WASHER
32	137150		SPRING.COMP.INF.H
33	76020308		SUB= 3145
34	137167		ROD.ADJ.LIFT
35	138057		KNOB INF 3/8-16
38	155097X		POINTER HEIGHT INDICATOR
39	123935X		"PLUG,HOLE"
40	17490512		SCREW
41	73540600		NUT.CROWNLOCK.3/8
42	19112410		WASHER
43	123934X		HEIGHT INDICATOR
70	145212		NUT.HXFLG.LOCK.
72	1140452X		NUT PUSH PHOS & OIL

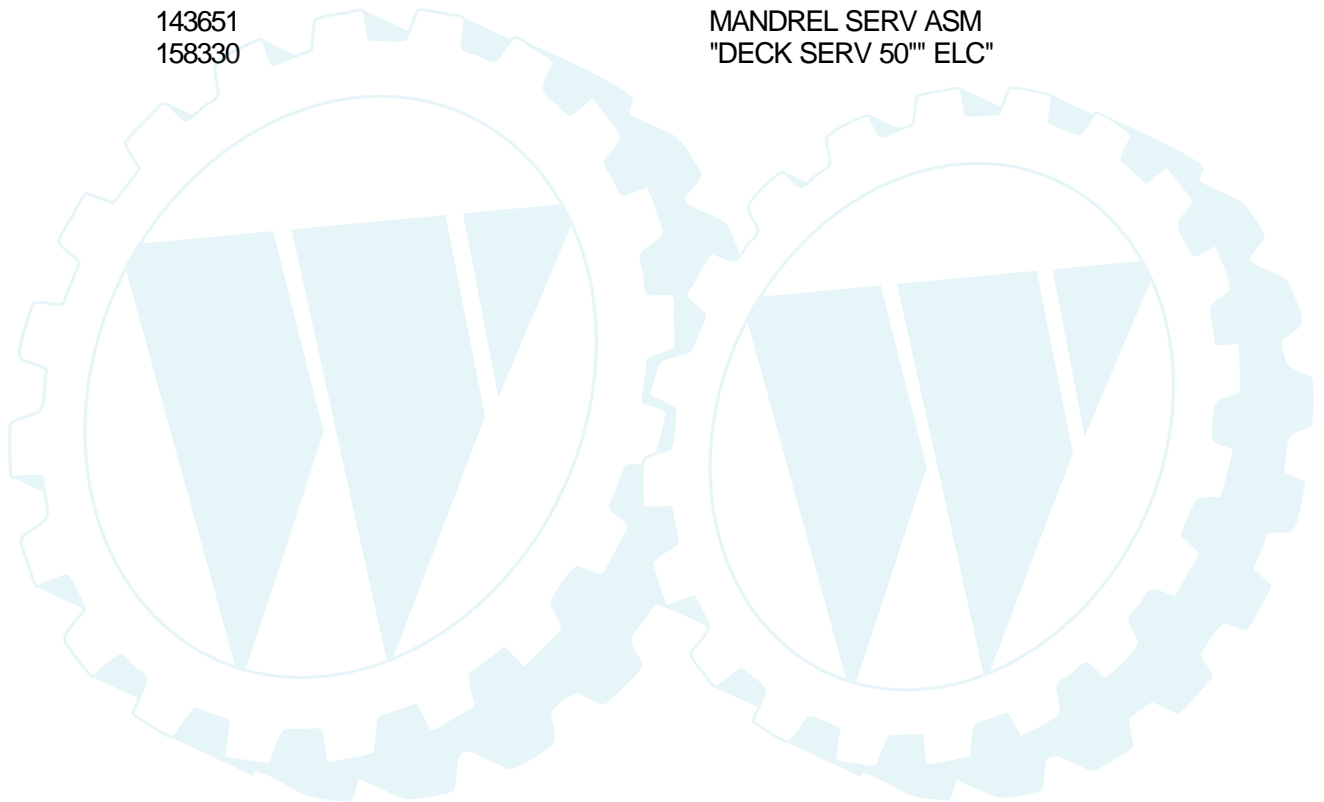
**TRACTOR - - MODEL NO.
MOWER DECK**

(PP22H50B), PRODUCT NO. 954 19 00-25



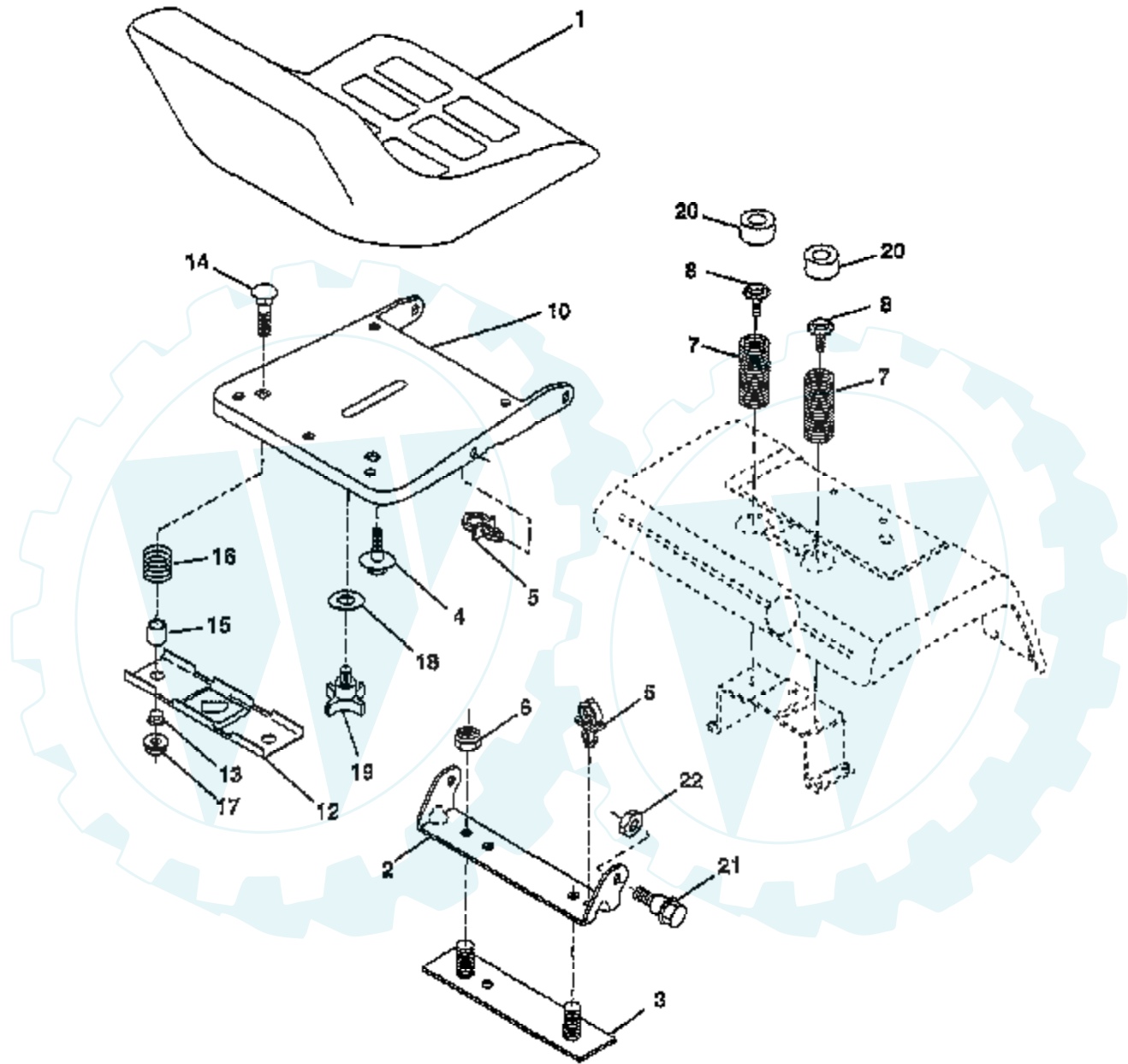
Ref #	Part Number	Qty	Description
1	156990		"DECK ASM-50""
2	73680500		SUB= 73690500
3	72110506		SUB= 72270506
4	7631J		RUNNER-LH M
5	138457		BRKT.ASM.SW.44/50
6	4939M		SUB= 85902
7	130832		SUB= 130833
8	850857		BLADE BOLT
9	10030600		SUB= 10040600
10	140296		WASHER.HARD.BLADE
11	137380		"BLADE.50"" HD"
12	129895		BEARING.BALL
13	137553		SHAFT.ASM.W/BRNG
14	137152		HOUSING.MAND.44.V
15	110485X		BEARING
16	140329		STRIPPER RND MWR
17	106735X		ROD-HINGE T
18	19111016		WASHER
19	105304X		CAP-SLEEVE LT
20	123713X		SPRING TORSION
21	137607		BRKT DEFLECTOR
22	110452X		NUT PUSH M
23	110509X		DEFLECTOR
24	136320		"RUNNER RH 50"" DK"
25	19111216		WASHER M
27	19131316		WASHER
28	132823		SUB= 532132823
29	73800600		NUT
30	157722		"SCREW-THD ROLL,WA"
31	137266		SUB= 139729
32	153535		PULLEY.MANDREL.42
33	129963		WASHER
34	72140610		BOLT.3/8-14X1.25
35	72110616		BOLT
36	72110608		BOLT D
37	137166		STIFFENER.ARM.IDL
38	156085		"KEEPER-BELT,IDLER"
39	131494		FLAT IDLER PULLEY
40	136572		"PULLEY.DRIVEN.44""
42	72140506		BOLT
43	136460		"ARM.IDLER.SEC.44""
44	122052X		SPACER RETAINER
45	73680600		SUB= 73690600
46	74760628		BOLT
47	137200		"COVER.MAND.RH.44""
48	137729		SCREW.1/4-20X5/8
49	136574		COVER.MANDREL.LH
50	137272		ARM.IDLER.PRIMARY
51	137273		"SPRING.SEC.44""VEN"
52	139245		PULLEY.IDLER.VGRO
53	137789		SHIELD.IDLER.44.V
54	139573		BELT V PRIM 50
55	144959		BELT-V.SEC.46.KEL
56	138687		SPRING.EXT.DECK.
57	136577		BAR.ASM.GUAGE.WHL
58	146850		WHEEL.GUAGE.MED.
59	146851		BOLT SHOULDER
60	139031		PIN.CLEVIS

Ref #	Part Number	Qty	Description
61	136573		BRACKET.GUAGE.WHL
62	133943		HARDENED WASHER
63	72110612		BOLT.3/8-16X1.50
64	19121414		WASHER
65	151831		PULLEY IDELR FLAT
66	156009		"KEEPER-BELT,IDLER"
67	73930600		LOCKNUT
94	74760616		BOLT
95	132274		SUB= 532132274
96	132273		SUB= 532132273
97	19171416		WASHER
98	132264		SUB= 532132264
99	72110614		BOLT
102	153390		WASHER.FELT.
	143651		MANDREL SERV ASM
	158330		"DECK SERV 50" ELC"

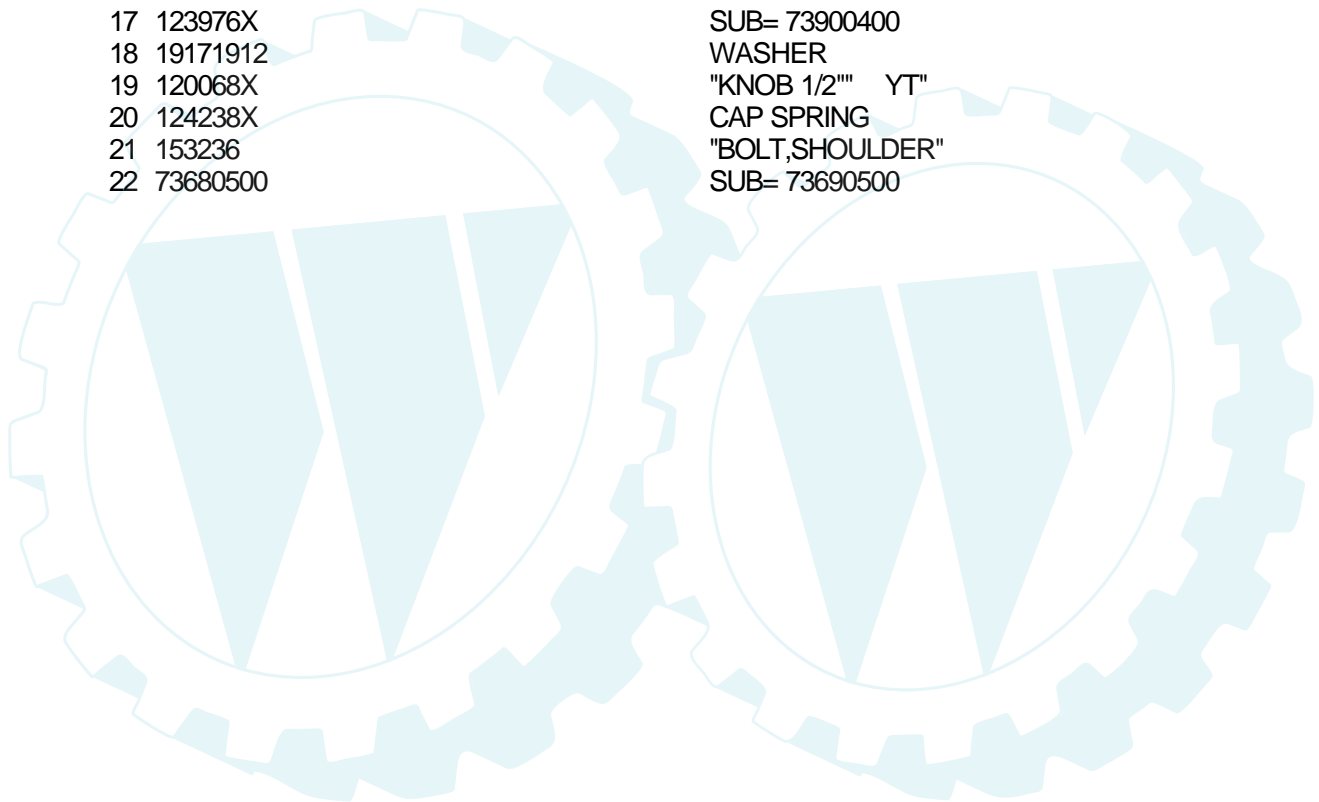


**TRACTOR -- MODEL NO.
SEAT ASSEMBLY**

(PP22H50B), PRODUCT NO. 954 19 00-25

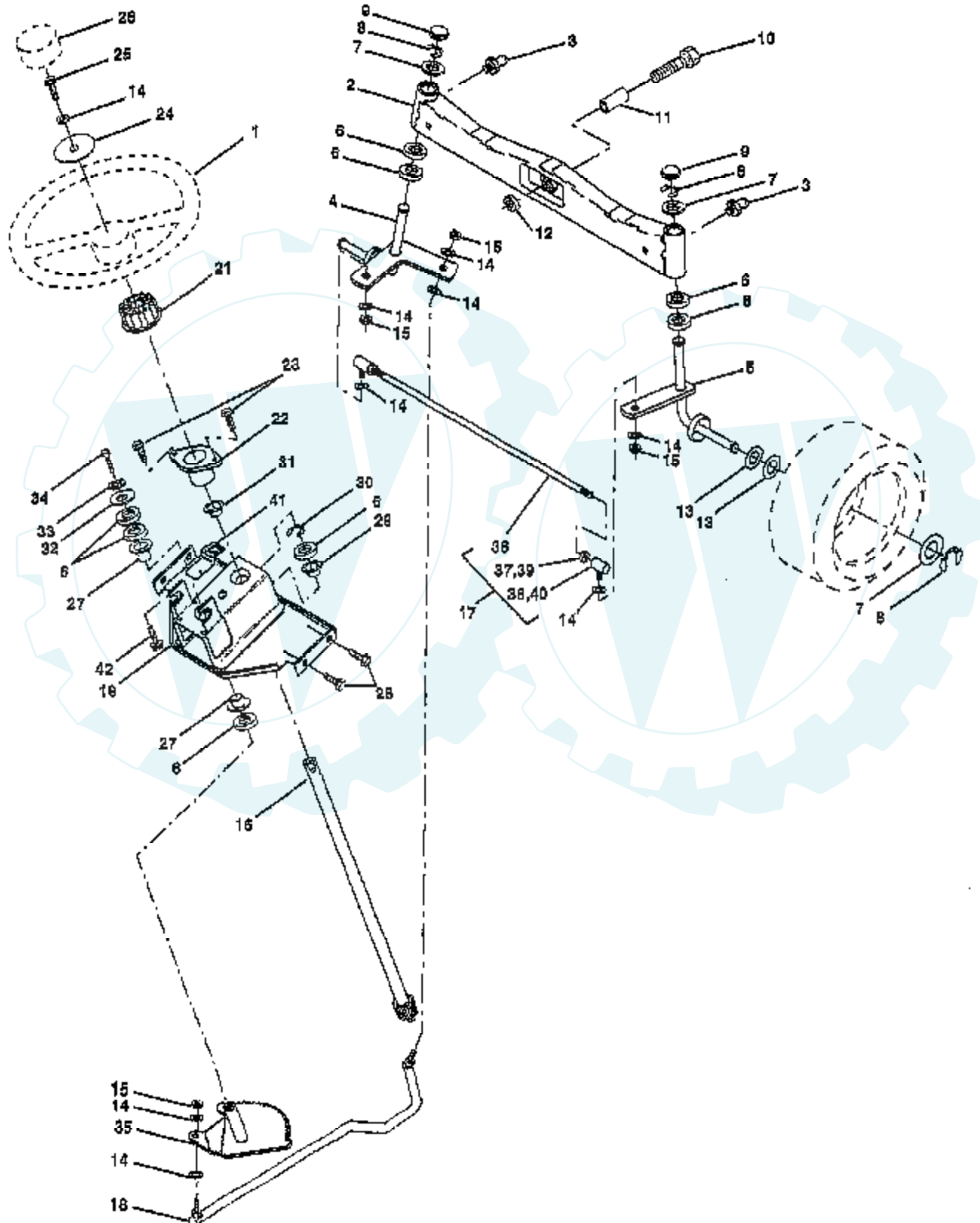


Ref #	Part Number	Qty	Description
1	127440		SUB= 140121
2	140551		BRACKET PVT SEAT
3	140675		STRAP ASM FENDER
4	127018X		"BOLT,SHOULDER"
5	145006		CLIP.PUSH-IN.HING
6	73680600		SUB= 73690600
7	124181X		SPRING COMPRESSIO
8	150176		BOLT.5/16-18.UNC
10	155925		PAN-SEAT
12	121246X		BRKT SWITCH
13	121248X		BUSHING
14	72050412		BOLT-RD HD SQ NK
15	121249X		SPACER SPLIT
16	123740X		SPRING COMPRESSED
17	123976X		SUB= 73900400
18	19171912		WASHER
19	120068X		"KNOB 1/2" YT"
20	124238X		CAP SPRING
21	153236		"BOLT,SHOULDER"
22	73680500		SUB= 73690500



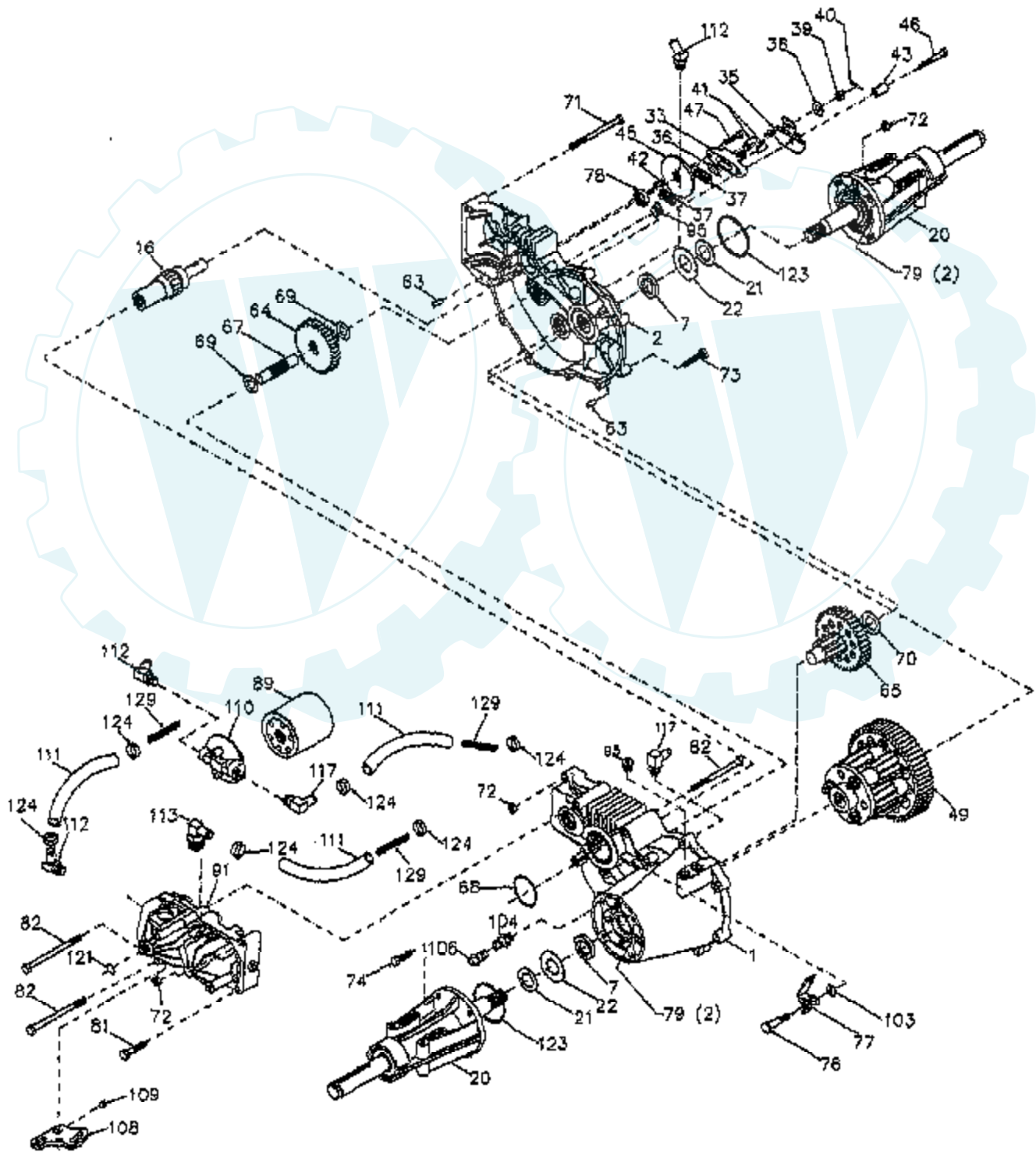
**TRACTOR -- MODEL NO. :
STEERING ASSEMBLY**

(PP22H50B), PRODUCT NO. 954 19 00-25



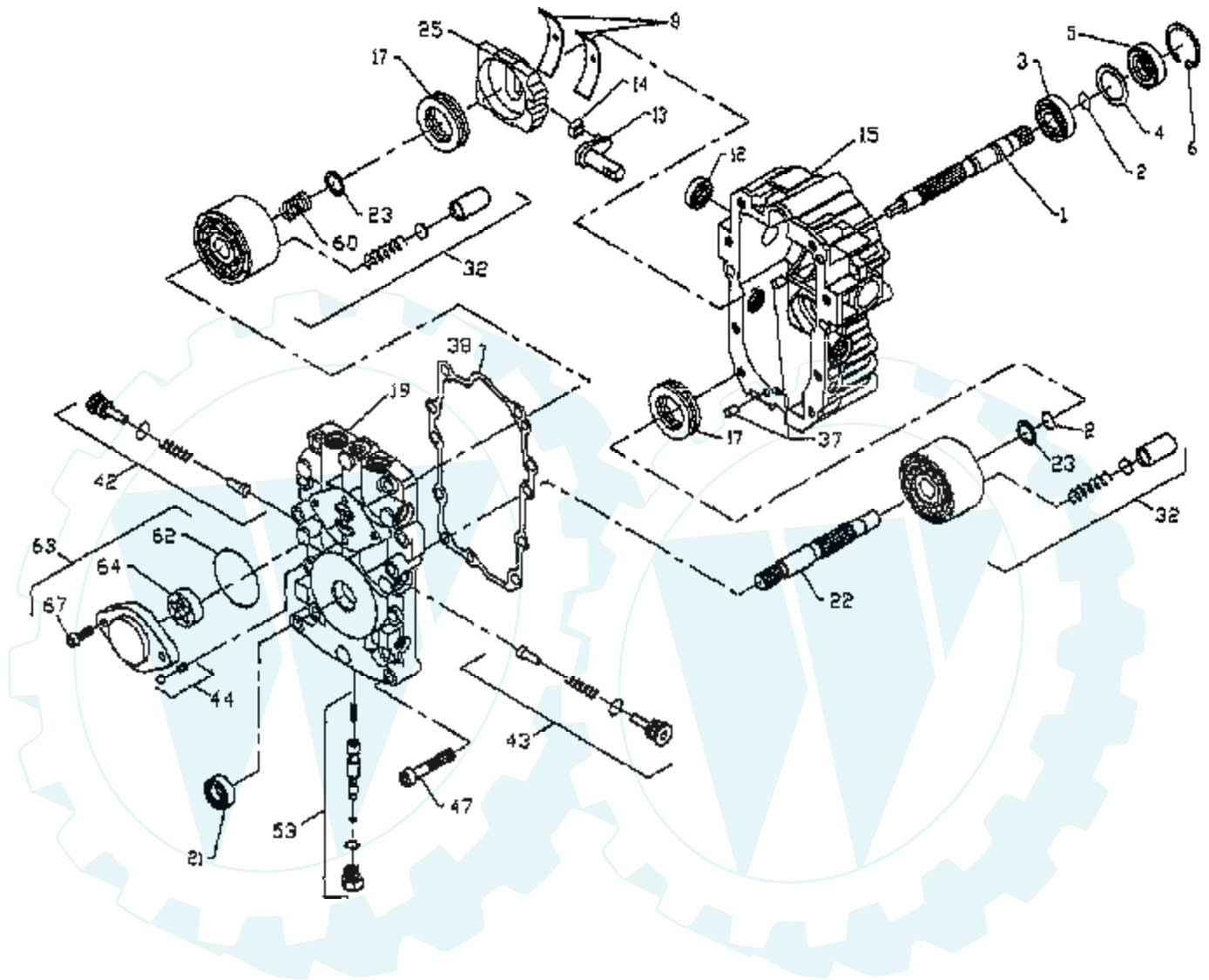
Ref #	Part Number	Qty	Description
1	121472X		SUB= 150546
2	137094		SUB= 532137094
3	6855M		ZERK M
4	161849		SPINDLE ASM LH
5	161848		SPINDLE ASM RH
6	6266H		WASHER .T
7	121748X		WASHER
8	12000029		RING
9	121232X		CAP
10	74781044		BOLT
11	136518		SPACER BEARING
12	73901000		"NUT-LOC,FLANGE LT"
13	121749X		WASHER
14	10040600		LOCKWASHER
15	7810H		GRIPCO NUT
16	145103		SHAFT.STEER.VGT
17	137347		ROD.ASM.TIE.BALL
18	137155		DRAGLINK.BALL.JOI
19	156011		SUPPORT ASM-STEER
21	100711L		ADAPTER LT
22	155105		"BUSHING,STEERING"
23	152927		"SCREW-TT,10-32 FL"
24	19133808		WASHER T
25	74780616		BOLT
26	126805X		"INSERT,STR WHEEL"
27	3366R		COL. SRTG. BEAR.
28	17490612		SCREW
29	104239X		"FLANGE GT, BEAR."
30	12000034		KLIP RING
31	138136		BUSHING.NYLINER.
32	19111610		WASHER
33	10040500		LOCKWASHER
34	74760512		BOLT
35	138059		GEAR.ASM.SECTOR.
36	137156		SUB= 137347
37	73360600		NUT
38	109850X		JOINT.RH
39	73700600		NUT
40	109851X		JOINT.LH
41	155246		"BRKT-SW, INTER"
42	17490508		SCREW LT

TRACTOR -- MODEL NO. (PP22H50B), PRODUCT NO. 954 19 00-25
TRANSAXLE HYDRO GEAR MODEL NUMBER 222-30100L



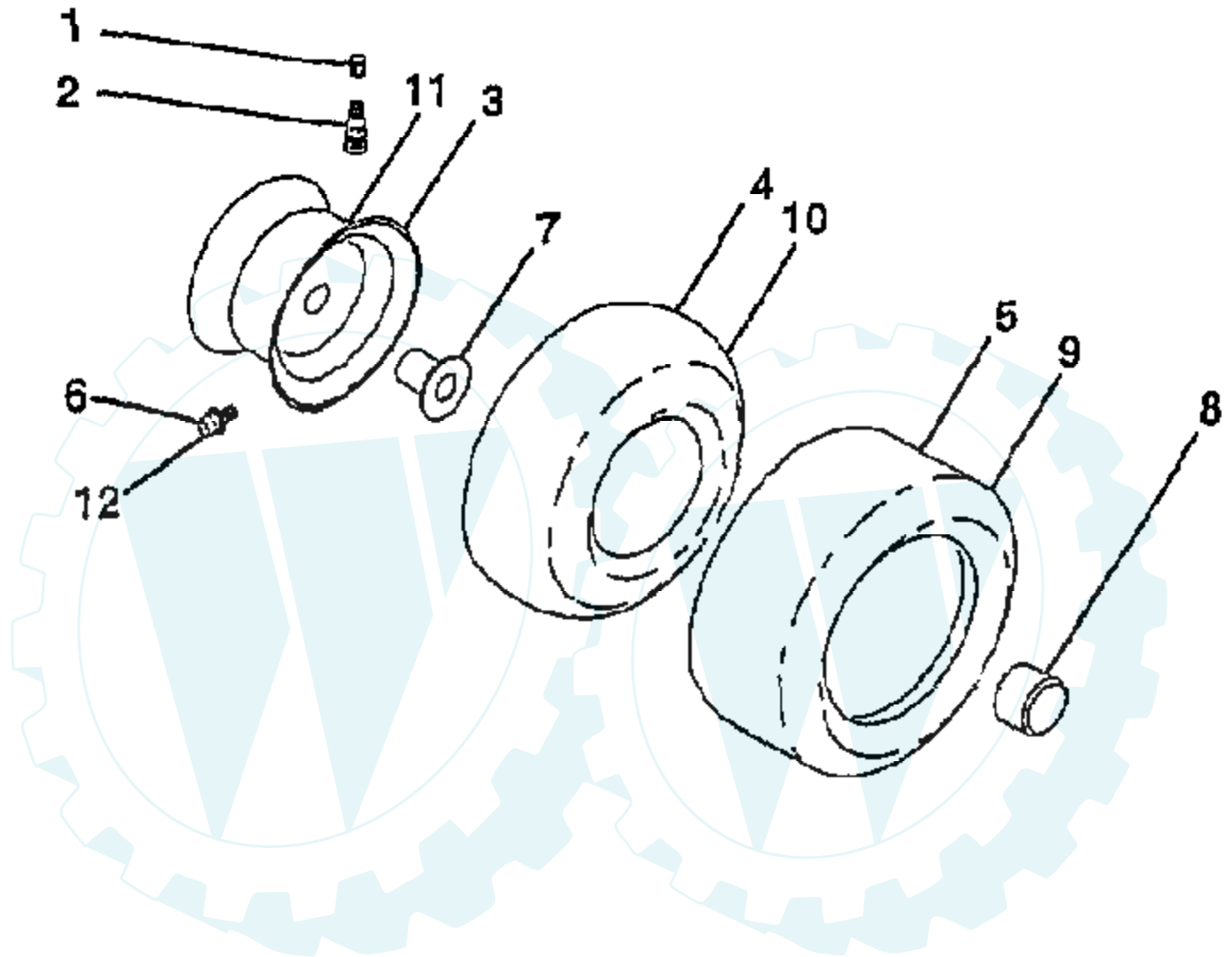
Ref #	Part Number	Qty	Description
1	142874		HOUSING LH 70086
2	142875		HOUSING RH 70088
7	153765		SEAL.OIL.44782.HY
16	142876		SHAFT BRAKE 62877
20	142877		AXLE MTG 70087
21	142878		WASHER 44805
22	142879		WASHER 44806
33	142929		YOKE.BRAKE.62589
35	142880		ARM BRAKE 50214
36	142882		PUCK PLATE 44134
37	142883		PUCK BRAKE 44132
38	142884		WASHER HYD 44130
39	142885		SUB= 144607
40	142886		SUB= 144608
41	142887		PIN BRAKE 44127
42	142888		KEY HI PRO 44143
43	142889		SPACER 50259
45	142890		DISC BRAKE 44090
46	142891		BOLT 1/4-20 44276
47	142892		BOLT 1/4-20 44433
49	153766		DIFFRENTIAL.70251
63	142894		PIN DOWL 44757
64	150818		GEAR.14-38.44776
65	142897		PINION DRIV 70051
67	142898		SHAFT-44779
68	142899		O RING 44781
69	142900		WASHER 44795
70	142901		WASHER 44794
71	142902		BOLT 5/16 44827
72	153767		LOCKNUT.43064
73	142904		BOLT 5/16 44841
74	142905		SCREW 5/16 45089
76	142907		BOLT SHOULD 44785
77	142908		ARM FREEWHL 44786
78	142909		SEAL.OIL.44761
79	153768		SUB= 126976X
81	142910		BOLT 5/16 43084
82	142911		BOLT 5/16 44820
89	142912		FILTER SPIN 50037
91	153769		PUMP.BDU-10L-122
95	142914		PLUG.9005110-5600
96	153770		FITTING.SAE.50257
103	142916		WASHER.50169
104	142917		CAP.VENT.70109
106	142918		O-RING.ASM.70110
108	142919		ARM.CONTROL.45007
109	142920		SCREW.SET.50018.
110	142921		FILTER.HEAD.50207
111	150820		HOSE.50632
112	150823		FITTING.SAE.50604
113	150821		FITTING.SAE.50592
117	150822		FITTING.SAE.50589
123	150824		O-RING.50405
124	150825		CLAMP.50590
129	153771		SPRING.LONG.50667

TRACTOR -- MODEL NO. (PP22H50B), PRODUCT NO. 954 18 00-25
TRANSAXLE PUMP -- MODEL NUMBER BDU-10L-118



Ref #	Part Number	Qty	Description
1	144569		SHAFT.PUMP.50158
2	122716X		RETAINIANG RING-(2003016)
3	122745X		BALL BEARING
4	122715X		SPACER
5	122700X		SEAL LIP
6	122699X		RING.RET.2003052
8	122767X		CRADLE BEARING (2003023)
12	122717X		SEAL.9008000-0126
13	122748X		TRUNION ARM (2003005)
14	122749X		GUIDE.2000015.HYD
15	144571		KIT.HSG.2513035.
17	122770X		SUB= 142936
19	153801		KIT.CENTER.50642
21	122722X		LIP SEAL-9008000-0127
22	144573		SHAFT.MOT.2003034
23	142978		WASHER.2003017
25	127148X		"SWASHPLATE,VARIAB"
32	142938		BLOCK.CLYN.70079.
37	122786X		PIN
38	122718X		GASKET.20030600
42	144578		KIT.VALVE.2510050
43	144578		KIT.VALVE.2510050
44	144579		KIT.RELI.2510011.
47	122752X		SCREW9007314-0808
53	127153X		"KIT,BYPASS VALVE"
60	142977		SPRING.2003014.
62	144581		ORING.90041011340
63	144582		KIT.CHARG.2513027
64	144583		GEROTOR.J1041008
67	144584		SCREW.CAP.50095.
	153769		PUMP.BDU-10L-122

WHEELS & TIRES



Ref #	Part Number	Qty	Description
1	59192		VALVE CAP
2	65139		VALVE STEM LT
3	106228X417		RIM.FRONT.
4	PARTSIMAGE		REFER TO PARTS IMAGE
4	8134H		TUBE.16X6.5/7.5-8
5	106230X		SUB= 122075X
6	278H		FITTING LT
7	9040H		"FLANGE, BEARING"
8	104757X		HUB CAP
9	105588X		SUB= 122077X
10	PARTSIMAGE		REFER TO PARTS IMAGE
10	7154J		TUBE.23X8/10-12
11	106277X417		"WHEEL,REAR"
12	6856M		ZERK FITTING M
	144334		SEALANT.TIRE 10 OZ. TUBE

