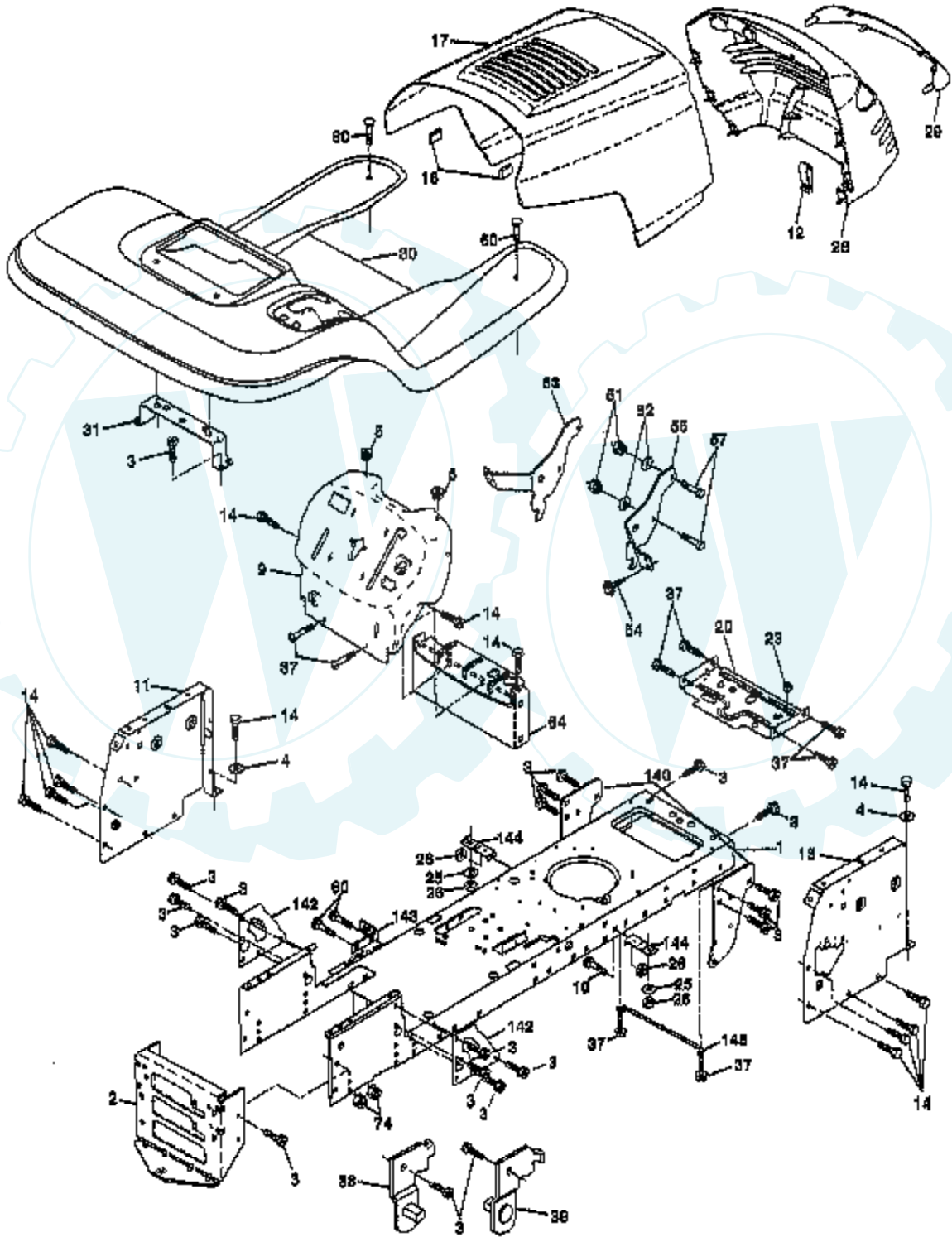
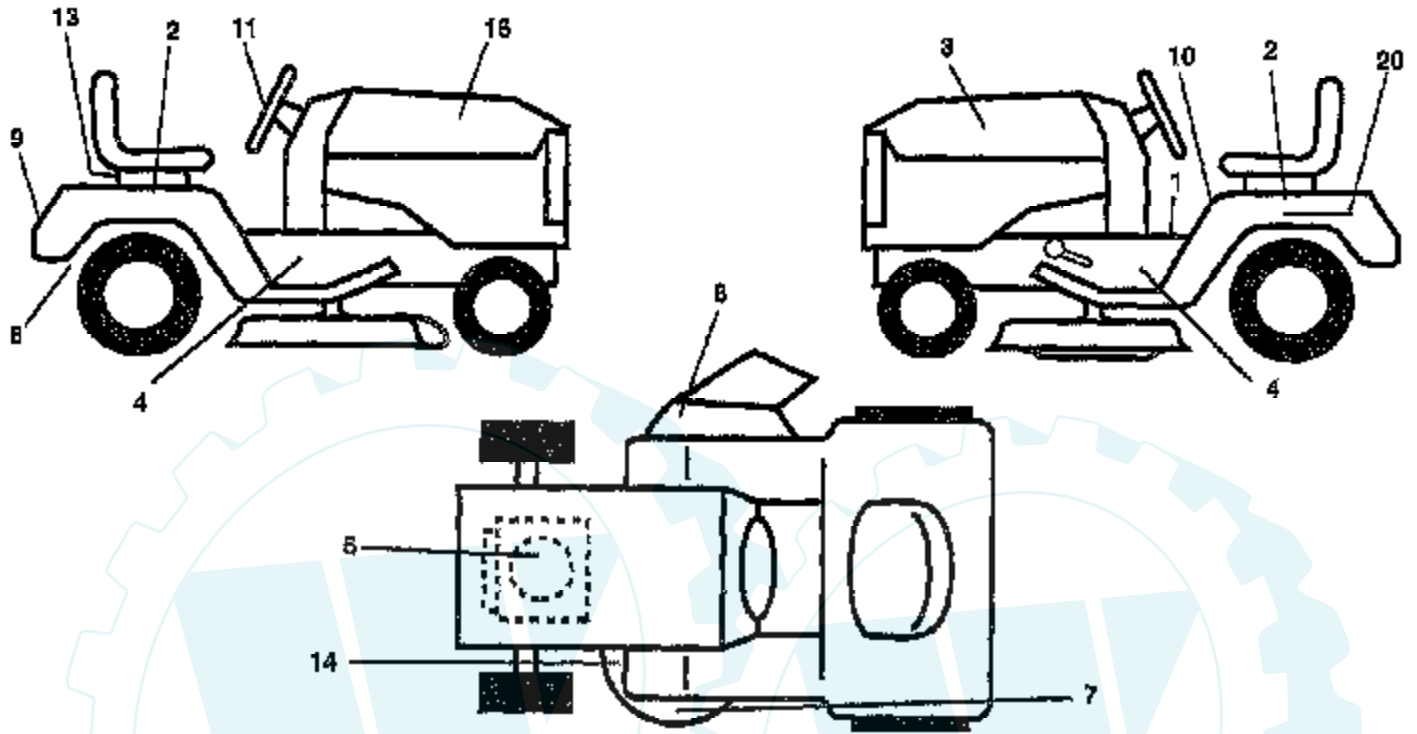


**TRACTOR - MODEL NUMBER PP165H42 (PP165H42A), PRODUCT NO. 954 19 00-24
CHASSIS AND ENCLOSURES**



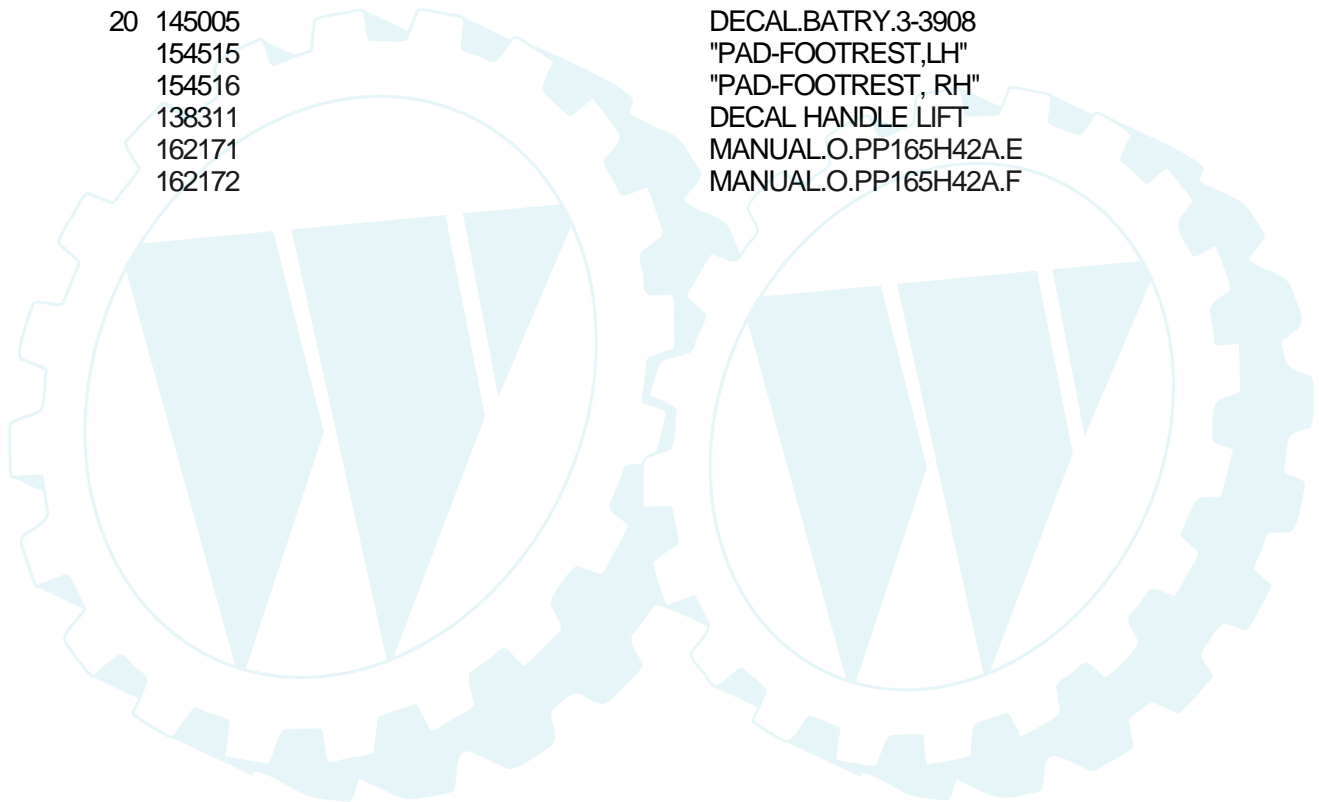
Ref #	Part Number	Qty	Description
1	160392		CHASSIS
2	140356		SUB= 145009
3	17490612		SCREW
4	19131216		WASHER
5	155272		BUMPER-HOOD/DASH
9	161917X012		DASH
10	72140608		SUB= 72110608
11	155927		"PANEL-DASH,LH"
12	145660		CLIP.TINNERMAN
13	155936		"PANEL-DASH,RH"
14	17490608		SCREW LT
17	159639X428		"HOOD W/TRIM,MS428"
18	126938X		SUB= 532126938
20	156437		"PLATE-MTG,BATT/FU"
23	124028X		SUB= 532124028
25	19131312		WASHER
26	73800600		NUT
28	157373		GRILLE-MS428
29	140273		LENS GRILLE
30	151287X505		FENDER/FOOTREST
31	139976		BRACKET SUPT FEND
37			CHECK WITH SUPPLIER
38	139886		BRACKET ASM LH
39	139887		BRACKET ASM RH
51	73800400		NUT
52	19091416		WASHER
53	144697		BRACKET.GRILLE.LH
54	161464		SCREW.HEX.WS.HD
55	144696		BRACKET.GRILLE.RH
57	74780412		SUB= 74780414
60	72140606		BOLT
64	154798		DASH-LOWER
74	73680600		SUB= 73690600
140	158418		BRKT SUSPENSION
142	156095		PLATE.REINFORCEMT
143	154966		"BRKT-S'BAR,CHASSI"
144			CHECK WITH SUPPLIER
145	156524		"ROD POVOT,CHASSIS"
	5479J		PLUG BUTTON T

**TRACTOR - MODEL NUMBER PP165H42 (PP165H42A), PRODUCT NO. 954 19 00-24
DECALS**

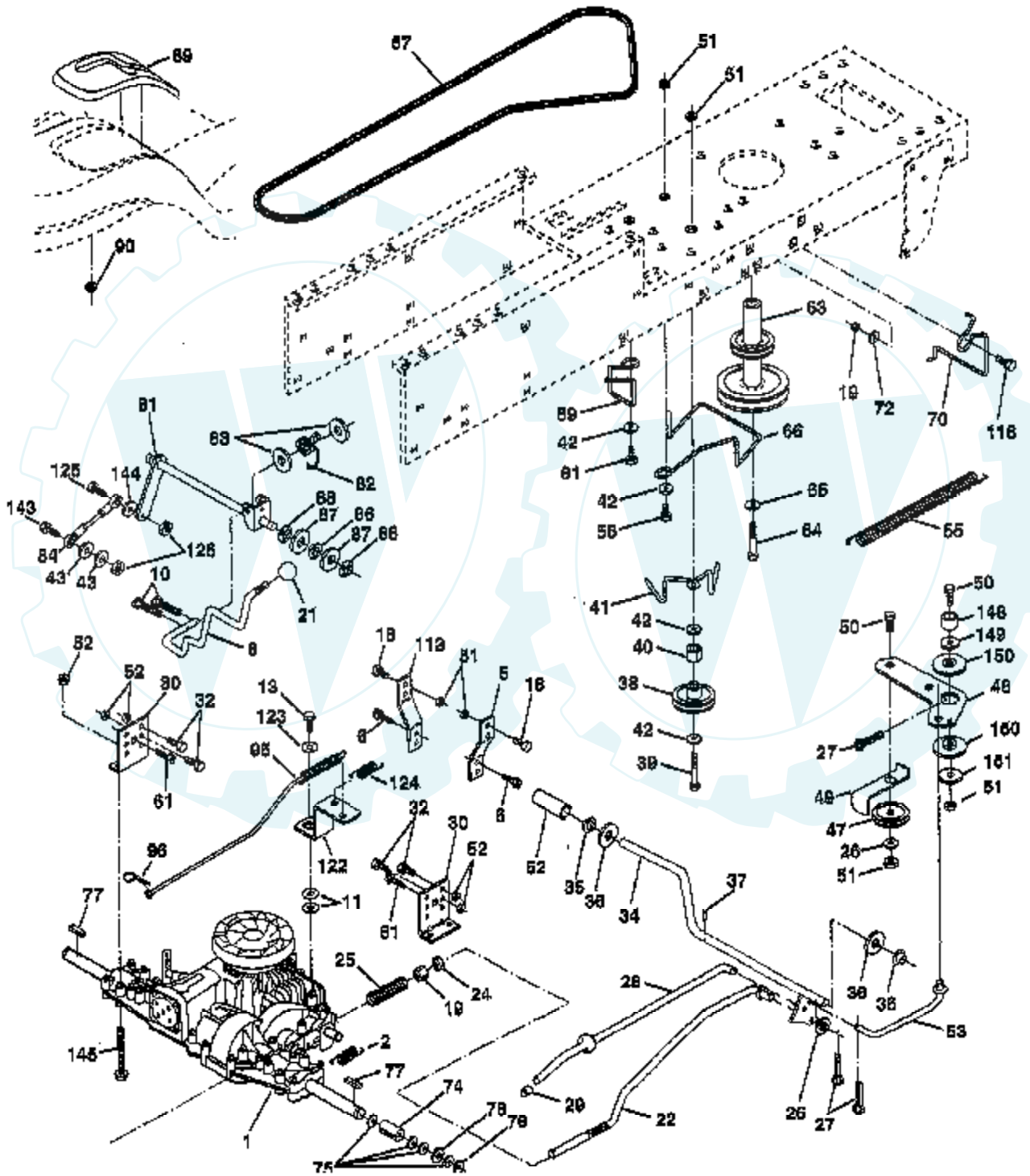


NOTE: All component dimensions given in U S inches
1 inch = 25.4 mm

Ref #	Part Number	Qty	Description
1	157032		"DECAL FENDER,OPER"
2	158051		DECAL FENDER AUTO
3	162247		DECAL.HOOD.LH
4	162249		DECAL.CHASSIS
5	64-1733-29		DECAL HP ENGINE
6	142341		DECAL DRAWBAR LH
7	134999		"DECAL,ENVIRO DECK"
8	137259		"DECAL, WARNING"
9	157849		DECAL.FENDER.BELT.GUARD
10	157140		DECAL.CAUT.ENG/FR
11	158048		DECAL INS STRG WH
13	150496		RETAINER-SPRING
14	160396		"DECAL-SCHEM,BELT"
16	162244		DECAL.HOOD.RH
20	145005		DECAL.BATRY.3-3908
	154515		"PAD-FOOTREST,LH"
	154516		"PAD-FOOTREST, RH"
	138311		DECAL HANDLE LIFT
	162171		MANUAL.O.PP165H42A.E
	162172		MANUAL.O.PP165H42A.F

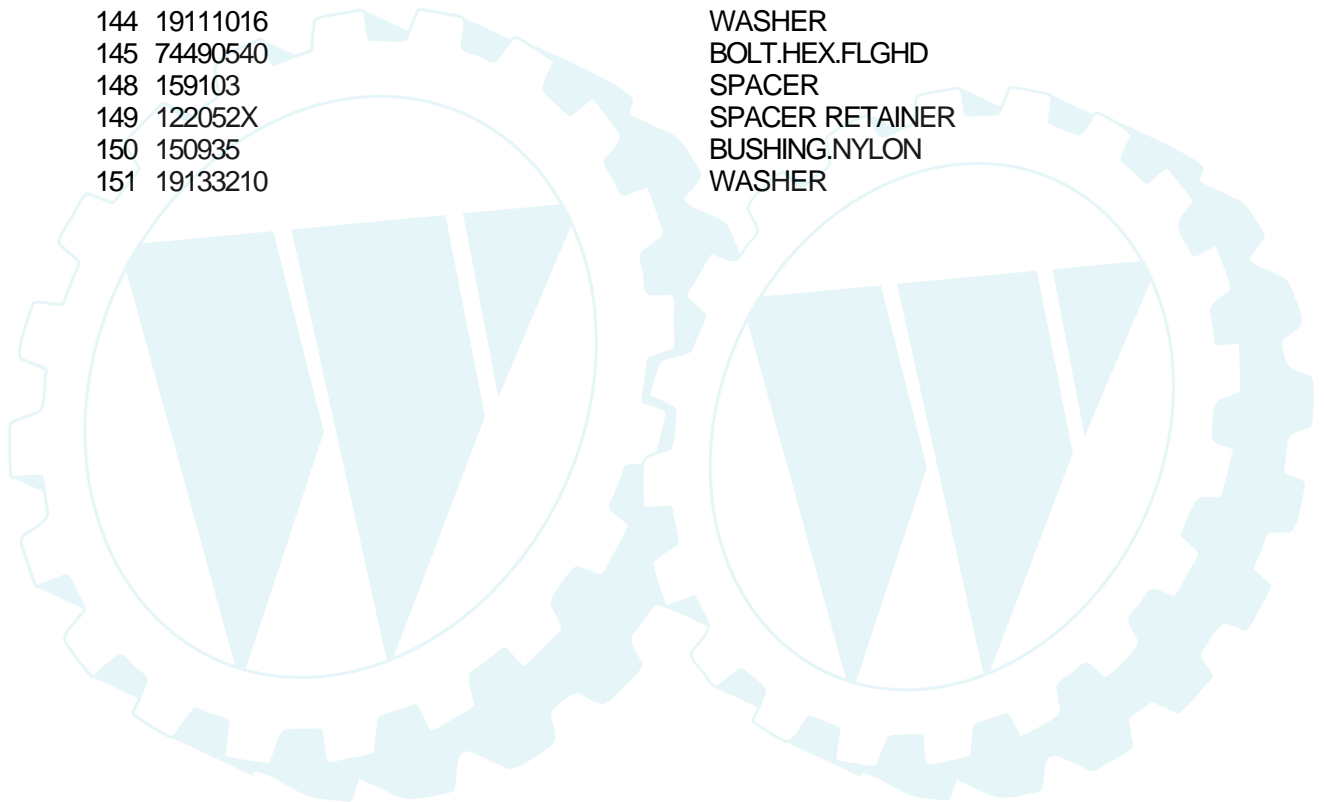


**TRACTOR - MODEL NUMBER PP165H42 (PP165H42A), PRODUCT NO. 954 19 00-24
DRIVE**

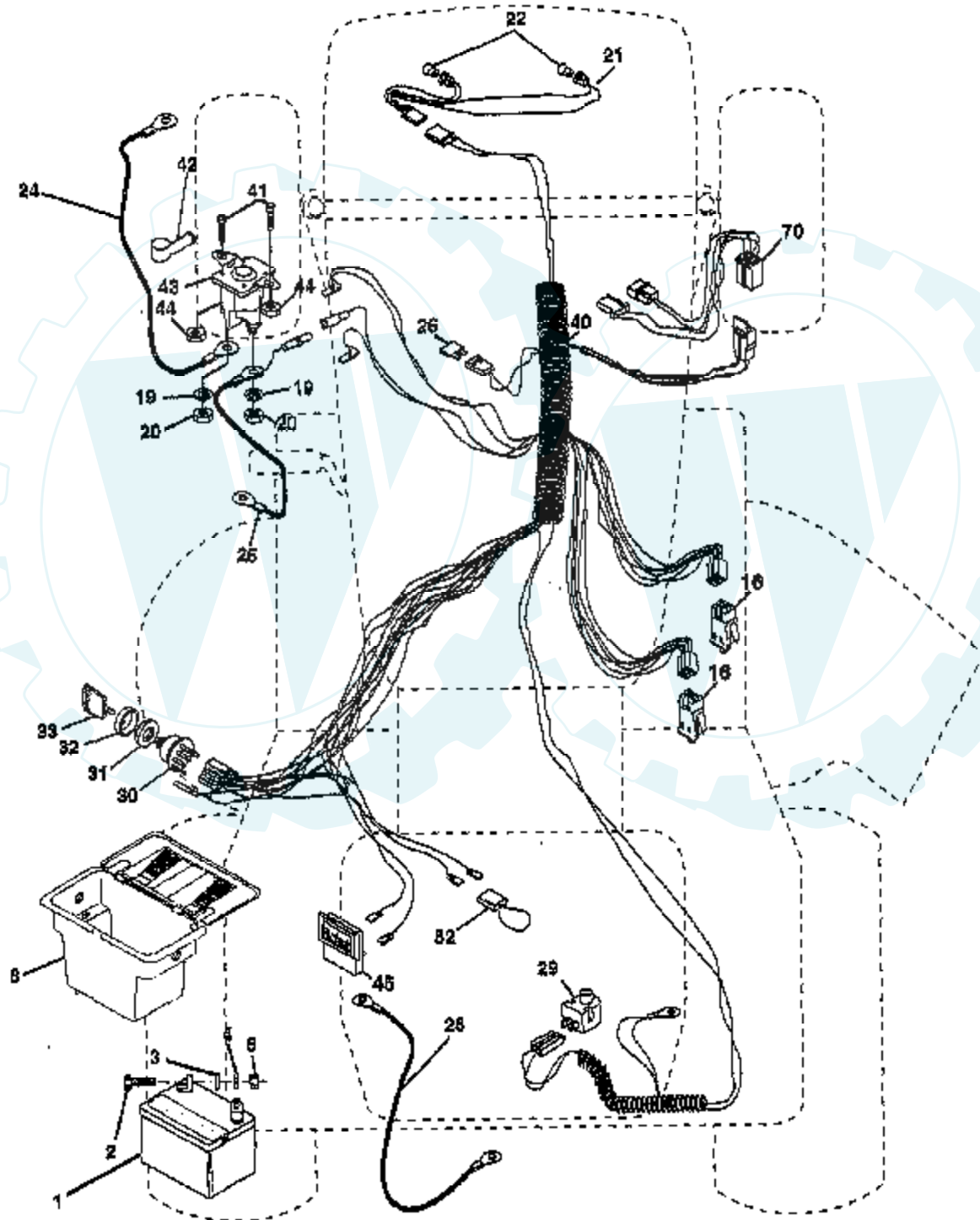


Ref #	Part Number	Qty	Description
2	146682		SPRING.BRAKE.RETU
5	121520X		STRAP TORQUE
6	17490512		SCREW
8	154792		"ROD SHIFT,FENDER"
10	76020416		PIN COTTER 1/8
11	105701X		WASH-SHFT PLT LT
13	74550412		BOLT.1/4-28.W/PAT
18	74780616		BOLT
19	73800600		NUT
21	121274X		KNOB.DUCKHEAD.1/2
22	130804		BRAKE ROD
24	73350600		NUT
25	106888X		SPRING ROD LT
26	19131316		WASHER
27	76020412		COTTER PIN
28	145204		ROD.BRAKE.PARK.LT
29	71673		PLUNGER CAP T
30	130807		TRANSAXLE MTG BKT
32	74760512		BOLT
34	155071		SHAFT ASM-PEDAL F
35	120183X		NYLON BEARING
36	19211616		WASHER LT
37	1572H		SUB= 2882J
38	123674X		PULLEY.IDLER.FLAT
39	74760644		BOLT
40	4470J		SPACER T
41	154777		SUB= 165692
42	19131312		WASHER
43	19111012		WASHER T
47	127783		SUB= 139245
48	154407		BELLCRANK.CLUTCH
49	123205X		RETAIN BELT
50	74760624		SUB= 74930624
51	73680600		SUB= 73690600
52	73680500		SUB= 73690500
53	105710X		"LINK, CLUTCH T"
55	105709X		"SPRING, RETURN LT"
56	74760620		SUB= 74780620
57	161597		"V-BELT,GROUND DRV"
59	140312		KEEPER BELT CNTSP
61	17490612		SCREW
62	8883R		PEDAL COVER T
63	140186		PULLEY.ENGINE
64	71170764		BOLT
65	10040700		LOCKWASHER
66	154778		KEEPER-BELT
70	134683		KEEPER BELT ENG
72	19132012		WASHER
74	156972		"SPACER AXLE,PVST"
75			CHECK WITH SUPPLIER
76	12000001		E-RING LT
77	123583X		SQUARE KEY
78	121748X		WASHER
81	161080		SHAFT ASSEMBLY
82	123782X		"SPRING,TORSION"
83	19171216		WASHER
84	158286		ROD TIE
86	157480		BUSHING

Ref #	Part Number	Qty	Description
87	19212016		WASHER D
88	12000008		KLIP RING
89	154882		SUB= 158388
90	124346X		NUT
95	156970		ROAD ASM BYPASS
96			CHECK WITH SUPPLIER
113	127285X		"STRAP,TORQUE"
116	72110610		BOLT RDHD 3/8-16
122	156963		"PLATE-BYPASS,PVST"
123	19091016		WASHER
124	156967		SPRING RETURN
125	74780516		SUB= 77394
126	1685H		SUB= 68478
143	74780520		BOLT
144	19111016		WASHER
145	74490540		BOLT.HEX.FLGHD
148	159103		SPACER
149	122052X		SPACER RETAINER
150	150935		BUSHING.NYLON
151	19133210		WASHER

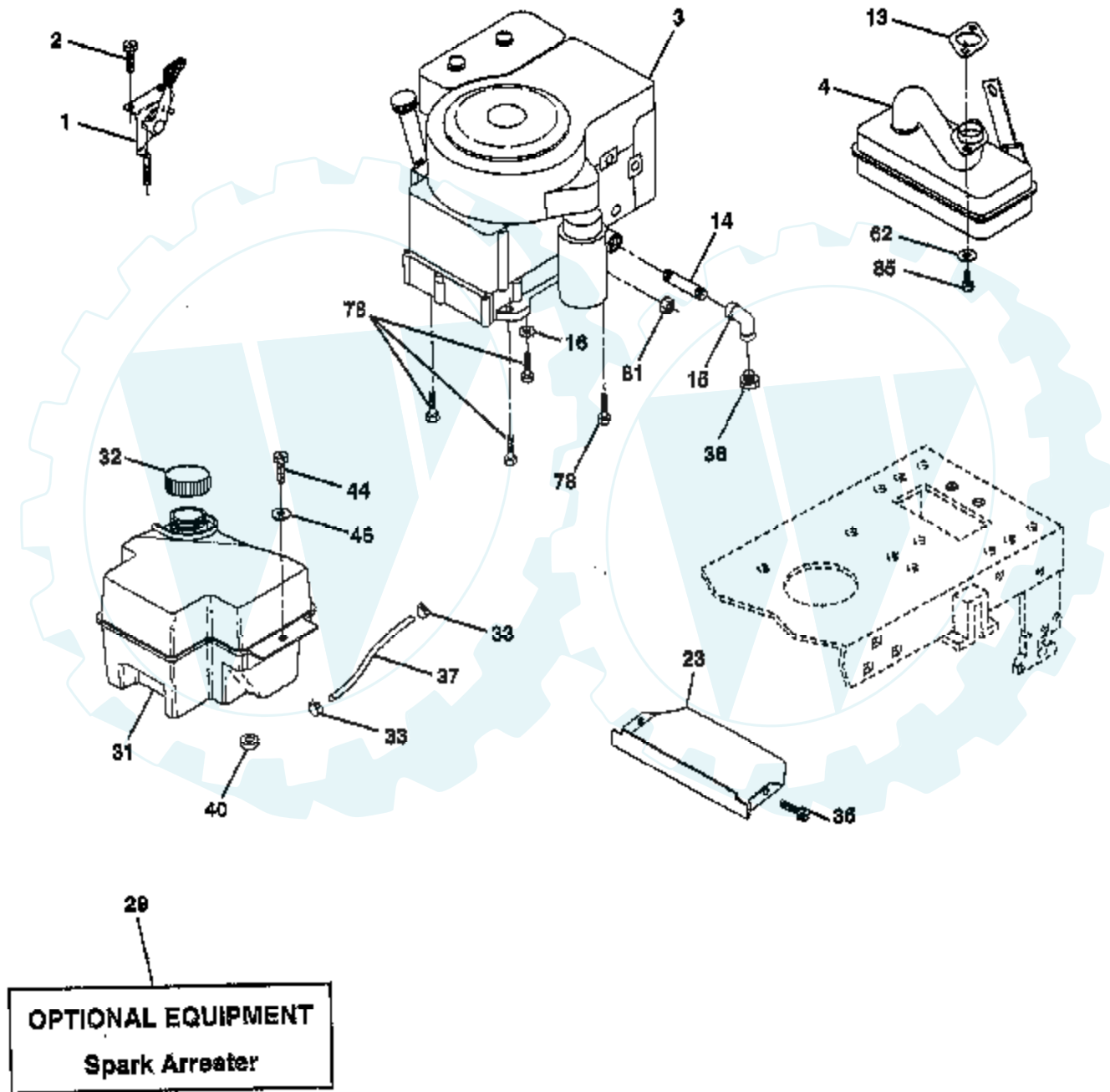


TRACTOR - MODEL NUMBER PP165H42 (PP165H42A), PRODUCT NO. 954 19 00-24
ELECTRICAL

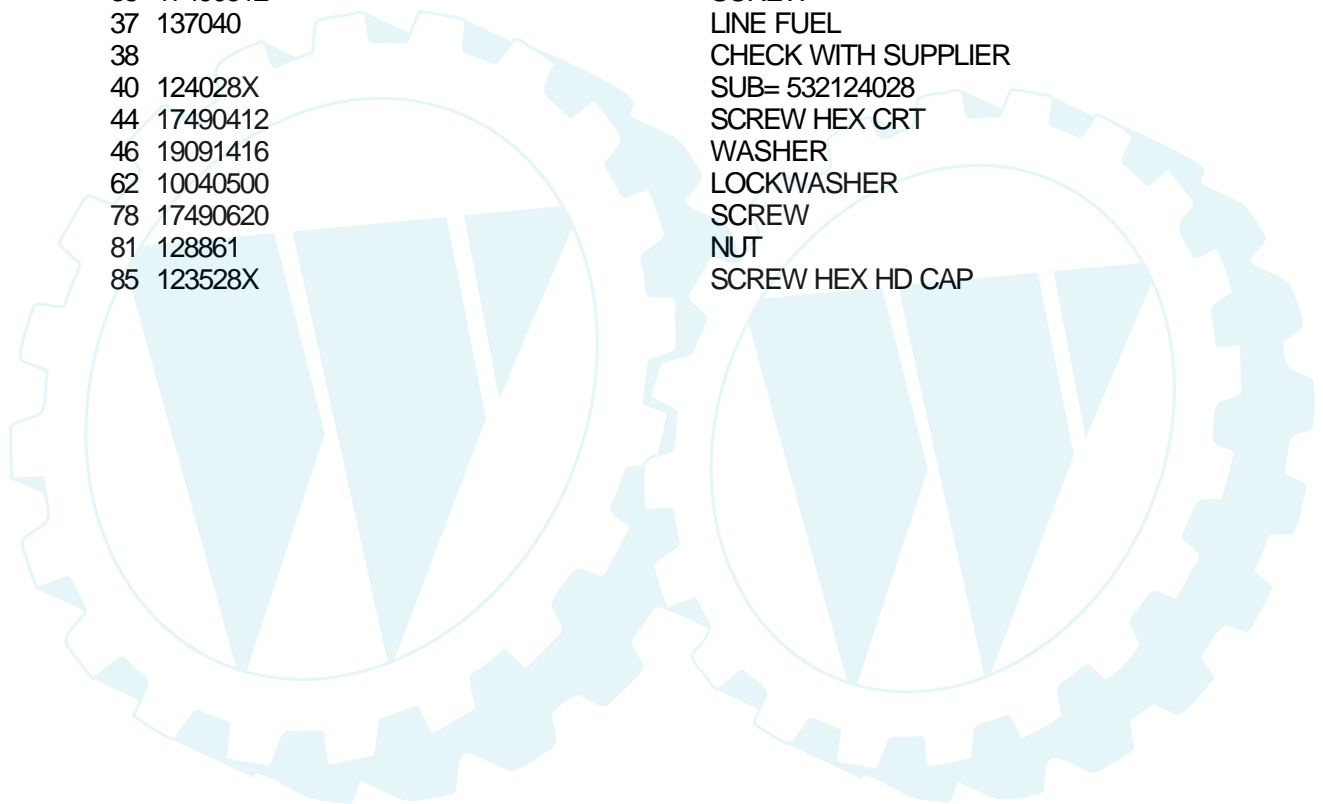


Ref #	Part Number	Qty	Description
1	144925		SUB= 123899X
2			CHECK WITH SUPPLIER
3	19091016		WASHER
4	10040400		LOCKWASHER
6	73220400		SUB= 50675
8	156417		"CASE,BATTERY.MECH"
16	153664		SWITCH INTERLOCK
19	10090400		SUB= 10040400
20	73350400		NUT
21	136850		"HARNES,LIGHT SOC"
22	4152J		HEADLAMP BULB
24	108423X		CABLE ASM.
25	146147		CABLE.BTRY.6GA.RD
26	108824X		FUSE HYT
28	4207J		CABLE T
29	121305X		SWITCH SEAT
30	140301		SWITCH IGN 4POS
31	124211X		NUT IGNITION
32	141226		COVER KEY SWITCH
33	122147X		KEY
40	156442		HARNES-IGNITION
41	71110408		BOLT HXHD FIN
42	131563		SUB= 154336
43	145673		SUB= 146154
44	73640400		NUT HXKEP 1/4X20
45	121433X		SUB= 122822X
52	141940		PROTECTION LOOP

**TRACTOR - MODEL NUMBER PP165H42 (PP165H42A), PRODUCT NO. 954 19 00-24
ENGINE**



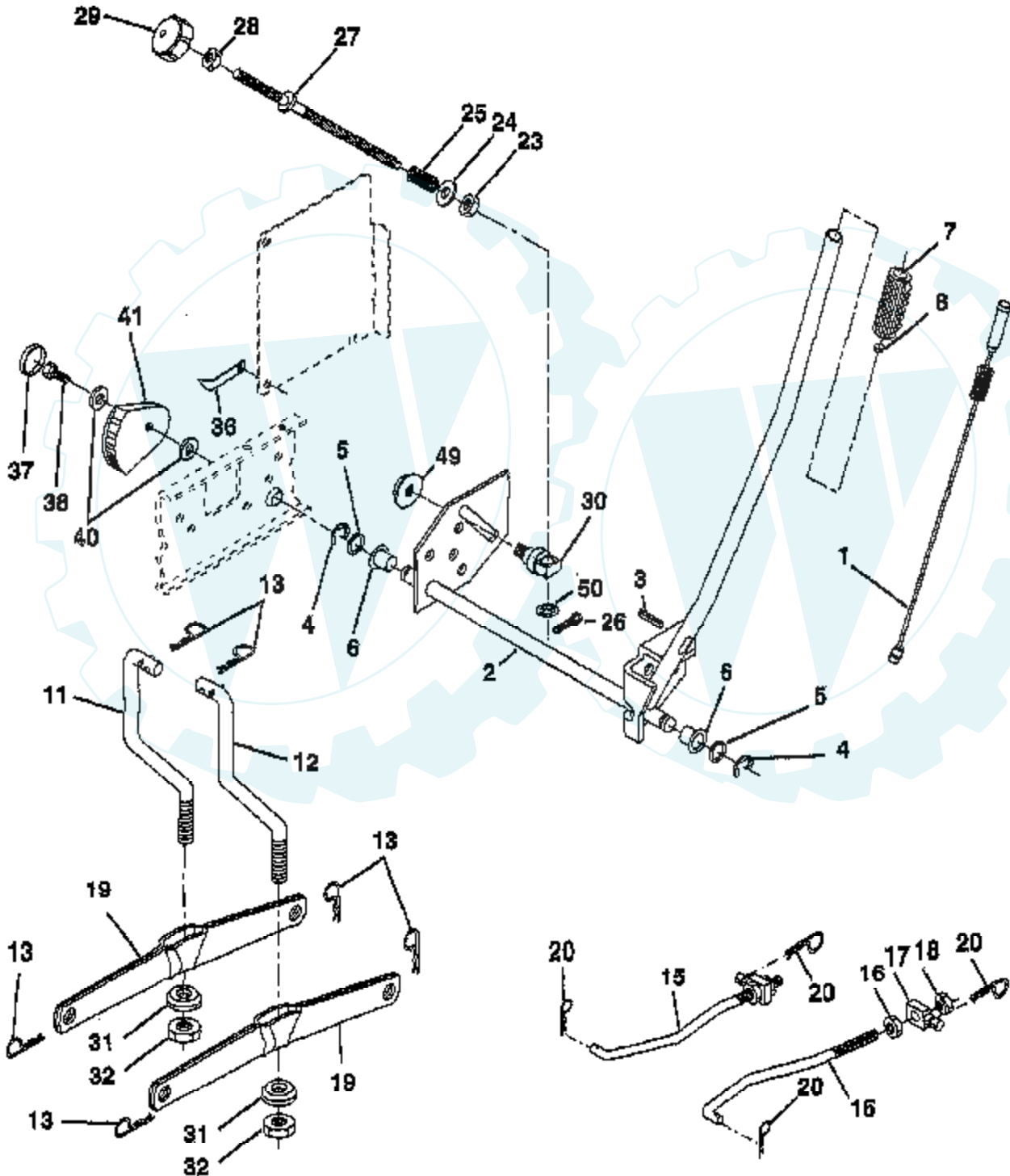
Ref #	Part Number	Qty	Description
1	140310		CONTROL THROTTLE
2	17720410		SCREW LT
3			CHECK WITH SUPPLIER
4	137351		MUFFLER
13	149272		GASKET MUFFLE TEC
14	13280336		PIPE NIPPLE LT
15	13200300		ELBOW
16	11050600		LOCKWASHER
23	159880		SHIELD.BRN/DBR.GD
29	137180		SUB= 532137180
31	161911		TANK.FUEL.FRONT.
32	140527		CAP ASM FUEL
33	123487X		HOSE CLAMP
35	17490512		SCREW
37	137040		LINE FUEL
38			CHECK WITH SUPPLIER
40	124028X		SUB= 532124028
44	17490412		SCREW HEX CRT
46	19091416		WASHER
62	10040500		LOCKWASHER
78	17490620		SCREW
81	128861		NUT
85	123528X		SCREW HEX HD CAP



Ref #	Part Number	Qty	Description
1	144393		DECK.WELD.42.
2	72140506		BOLT
3	138017		BRKT ASM SWAY BAR
4	138440		BRKT DECK SW BAR
5	4939M		SUB= 85902
6	130832		SUB= 130833
8	850857		BLADE BOLT
9	10030600		SUB= 10040600
10	140296		WASHER.HARD.BLADE
11	134149		"BLADE.42"" MULCHER"
12	129895		BEARING.BALL
13	137645		SUB= 137646
14	128774		HSG ASM MANDREL
15	110485X		BEARING
16	140329		STRIPPER RND MWR
17	72110610		BOLT RDHD 3/8-16
18	72140505		BOLT
19	132827		BOLT SHD 5/16-18
20	159770		BAFFLE VORTEX 42
21	73680500		SUB= 73690500
22	134753		STIFFENER BRKT
23	131267		DEFLECTOR BRKT
24			CHECK WITH SUPPLIER
25	123713X		SPRING TORSION
26			CHECK WITH SUPPLIER
27	130968		DEFLECTOR.SHIELD
28	19111016		WASHER
29	131491		HINGE ROD
30	157722		"SCREW-THD ROLL,WA"
31	129963		WASHER
32	153535		PULLEY.MANDREL.42
33	137266		SUB= 139729
34	72110614		BOLT
35	133835		XMAS TREE FASTNER
36	131494		FLAT IDLER PULLEY
37	19131316		WASHER
40	73680600		SUB= 73690600
41	133551		PIVOT ROD
43	140083		ROD CLUTCH W/NIBS
44	140088		GUARD MAND LH BLK
45			CHECK WITH SUPPLIER
46	137729		SCREW.1/4-20X5/8
48	133944		HARD SMALL WASHER
49	155066		ROLLER ASM-CAM
50	131340		SHOULDER BOLT
51	69180		LOCKNUT
52	139888		BOLT.SHLD.5/16-18
53	131845		BRAKE PAD ARM ASM
54	133943		HARDENED WASHER
55	155046		ARM-IDLER
56	122052X		SPACER RETAINER
58	140086		SPRING TORSN BRAK
59	141043		GUARD IDLER TUV
67	162132		KNOB.RD.7/16-14
68	144200		BELT.V.T-PATH
71	142427		ROD CLUTCH 38/42
72	131870		RETURN SPRING
73	127847		CLUTCH ARM SECOND

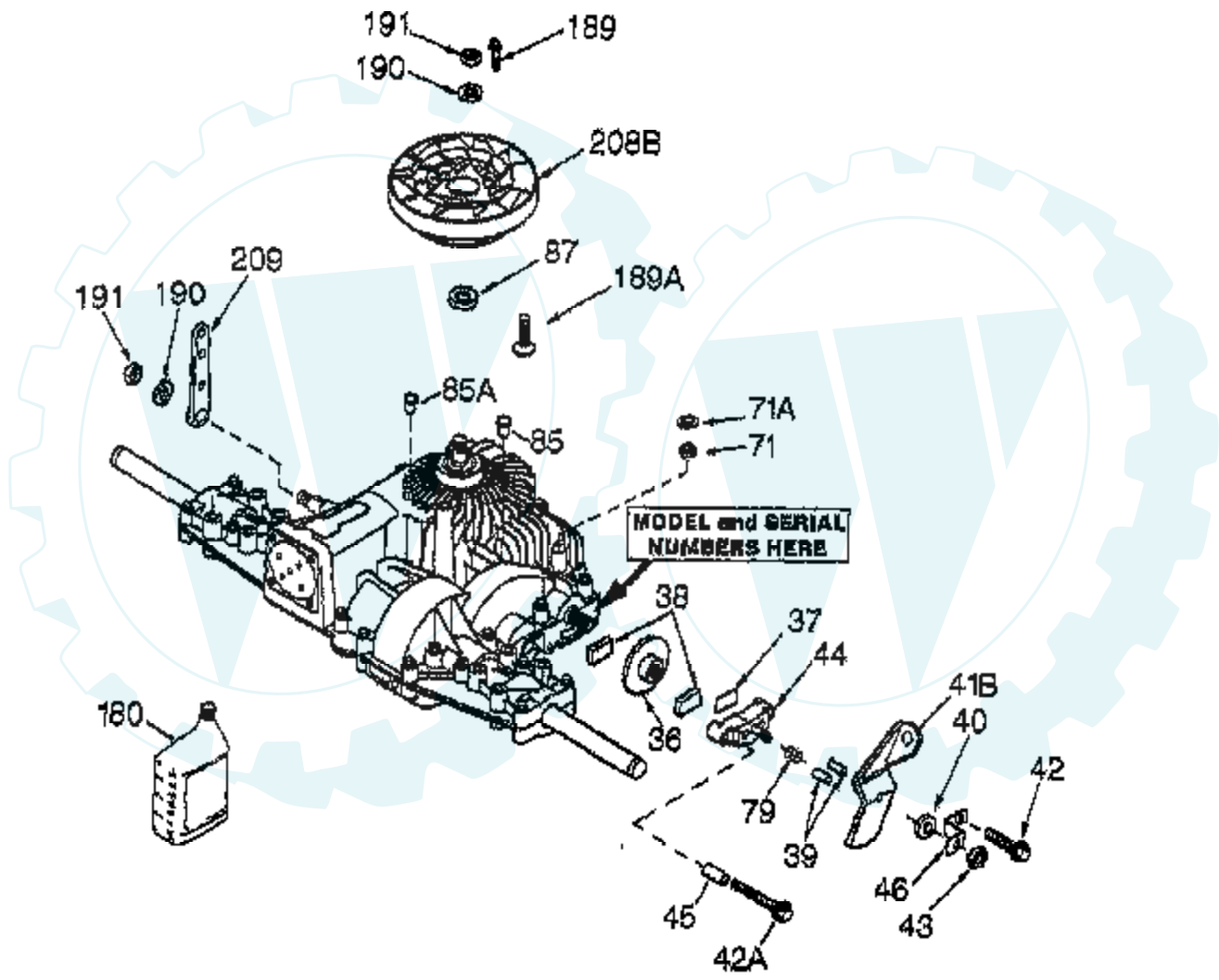
Ref #	Part Number	Qty	Description
74	121748X		WASHER
75	12000029		RING
76	128903		SHOULDER BOLT
77	127845		SPRING KEEPER
78	160570		LEVER.ASM.CLUTCH
79	127498		BUSHING
80	153701		SPRING.CLUTCH.MWR
81	142028		TRUNION ADJ
82	73350600		NUT
83	120958X		WASHER
84	156084		"KEEPER-BELT,FIXED"
85	72140618		BOLT RDHD 3/8-16
92	73800600		NUT
101	136420		"COVER.MULCH.42""
102	71161010		SCREW
103	19061216		WASHER #10
104	10071000		LOCKWASHER
105	160793		LATCH ASSY.BAGGER
106	2029J		WELDNUT
111	155197		BRACKET.GWHL.LH.
112	155198		BRACKET.GWHL.RH.
113	17490512		SCREW
114	73510500		NUT
115	72110504		SUB= 872110504
116	4898H		BOLT M
117	105455X		WHEEL.GAGE.BLK.PL
118	73930600		LOCKNUT
119	19121414		WASHER
120	19171512		WASHER
121	143723		BRACKET.EXTRD.GWL
128	153390		WASHER.FELT.
129	19131312		WASHER
130	74780616		BOLT
131	72140608		SUB= 72110608
132	19132203		WASHER GT
141	6266H		WASHER .T
	130794		MANDREL ASM
	145411		SUB= 164963

TRACTOR - MODEL NUMBER PP165H42 (PP165H42A), PRODUCT NO. 954 19 00-24
MOWER LIFT

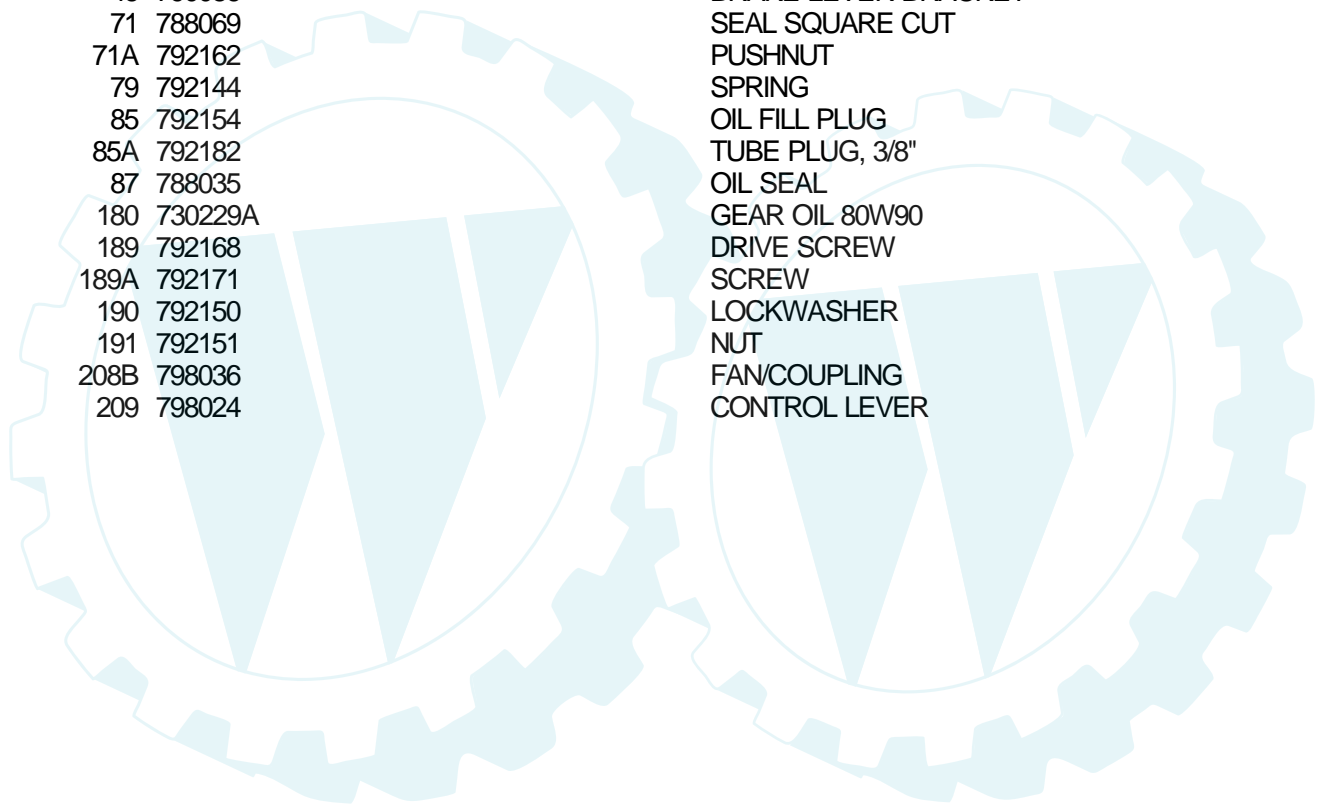


Ref #	Part Number	Qty	Description
1	159460		WIRE ASM W.SPRING
2	159471		"SHAFT ASM LIFT,RH"
3	105767X		PIN-GROOVE LT
4	12000002		SUB= 2225J
5	19211621		WASHER
6	120183X		NYLON BEARING
7	109413X		GRIP
8	124526X		SUB= 125925X
11	139865		SUB= 918139865
12	139866		SUB= 151140
13	4939M		SUB= 85902
15	127218		LINK.FRONT
16	73350800		NUT
17	130171		TRUNION
18	73800800		NUT.LK.W/WSH.1/2.
19	139868		ARM SUSP REAR
20	163552		RETAINER SPRING
23	110807X		NUT T
24	19131016		WASHER
25	2876H		SPRING T
26	76020308		SUB= 3145
27	126971X		SUB= 532126971
28	73350600		NUT
29	138057		KNOB INF 3/8-16
30	150233		TRUNNION
31	140302		BEARING PVT LH
32	73540600		NUT.CROWNLOCK.3/8
36	155097		POINTER-INDICAT
37	123935X		"PLUG,HOLE"
38	17490512		SCREW
40	19112410		WASHER
41	155098		INDICATOR HEIGHT
49	145212		NUT.HXFLG.LOCK.
50			CHECK WITH SUPPLIER

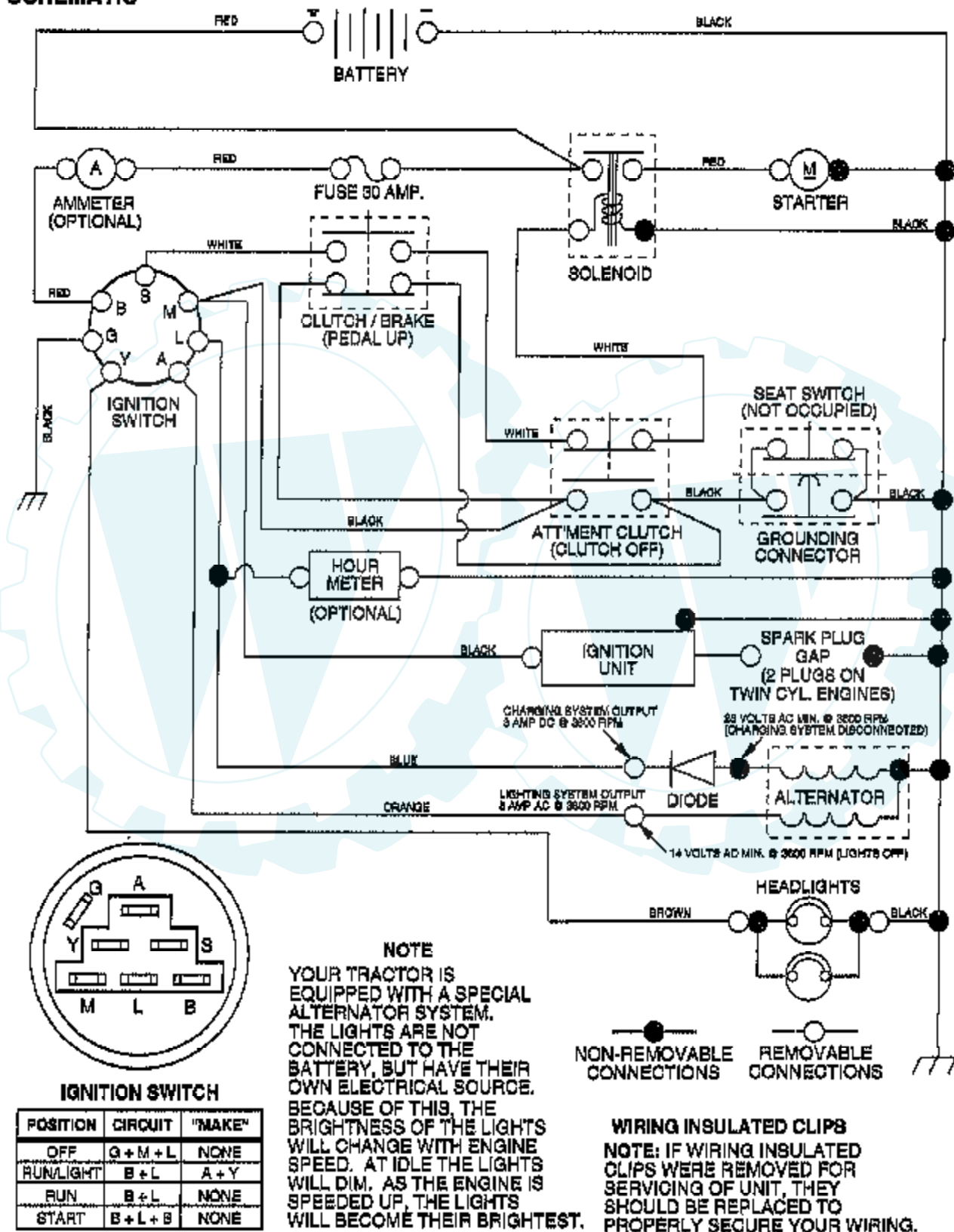
TRACTOR - MODEL NUMBER PP165H42 (PP165H42A), PRODUCT NO. 954 19 00-24
PEERLESS TRANSAXLE - MODEL NUMBER PVST-035B



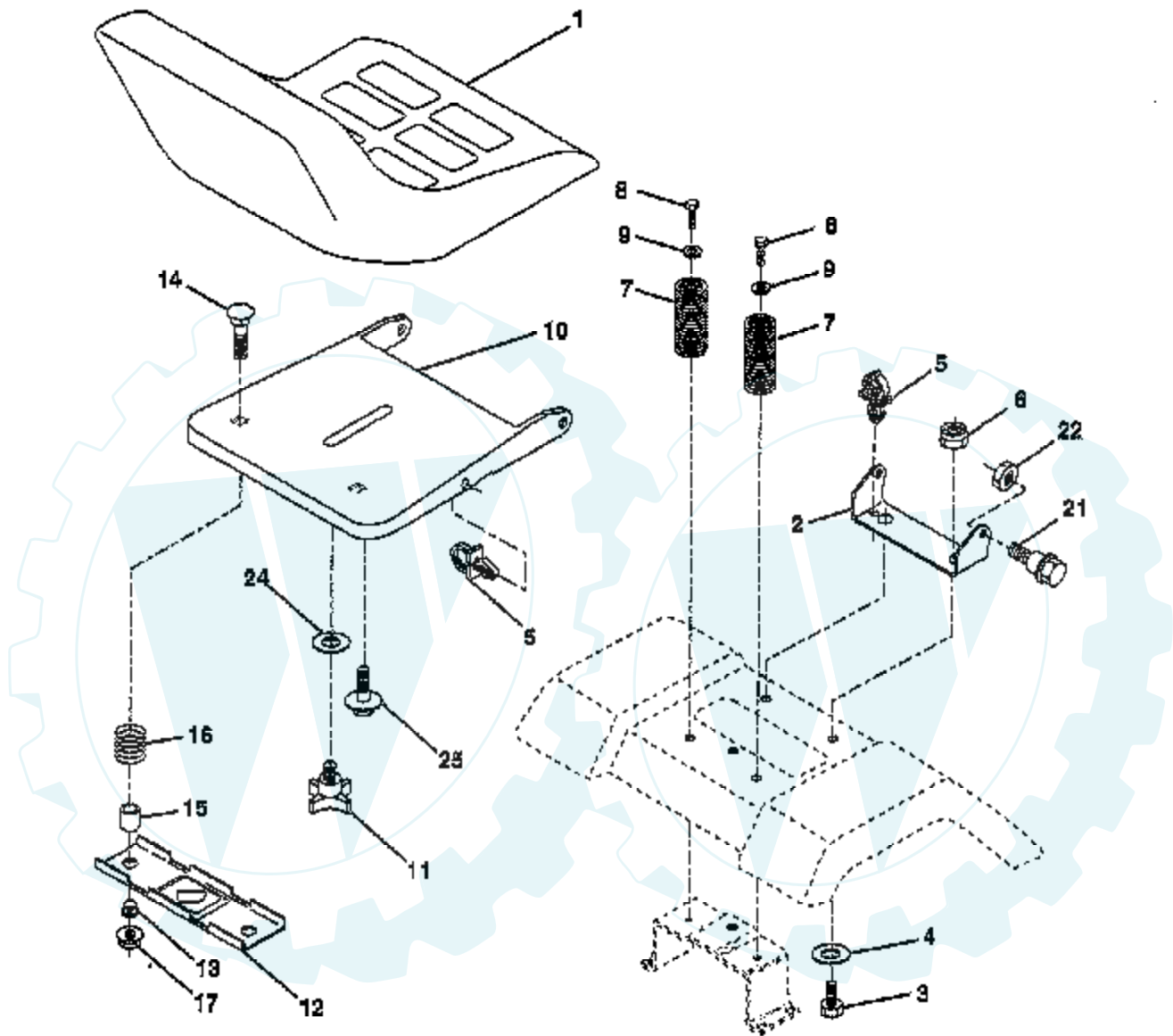
Ref #	Part Number	Qty	Description
	794680		CHECK WITH SUPPLIER
			COMPLETE TRANSAXLE
36	790075		BRAKE DISC
37	790007		PLATE BRAKE PAD
38	799021		BRAKE PAD
39	786026		PIN DOWEL
40	792076A		WASHER
41B	790085		BRAKE LEVER
42	792073A		SCREW
42A	792085A		SCREW, 1/4-20 X 2-1/4
43	792075		LOCKNUT 5/16-24
44	790025		HOLDER BRAKE PAD
45	786066		SPACER
46	790086		BRAKE LEVER BRACKET
71	788069		SEAL SQUARE CUT
71A	792162		PUSHNUT
79	792144		SPRING
85	792154		OIL FILL PLUG
85A	792182		TUBE PLUG, 3/8"
87	788035		OIL SEAL
180	730229A		GEAR OIL 80W90
189	792168		DRIVE SCREW
189A	792171		SCREW
190	792150		LOCKWASHER
191	792151		NUT
208B	798036		FAN/COUPLING
209	798024		CONTROL LEVER



TRACTOR - MODEL NO. PP165H42 (PP165H42B) PRODUCT NO. 954 19 00-24
SCHEMATIC

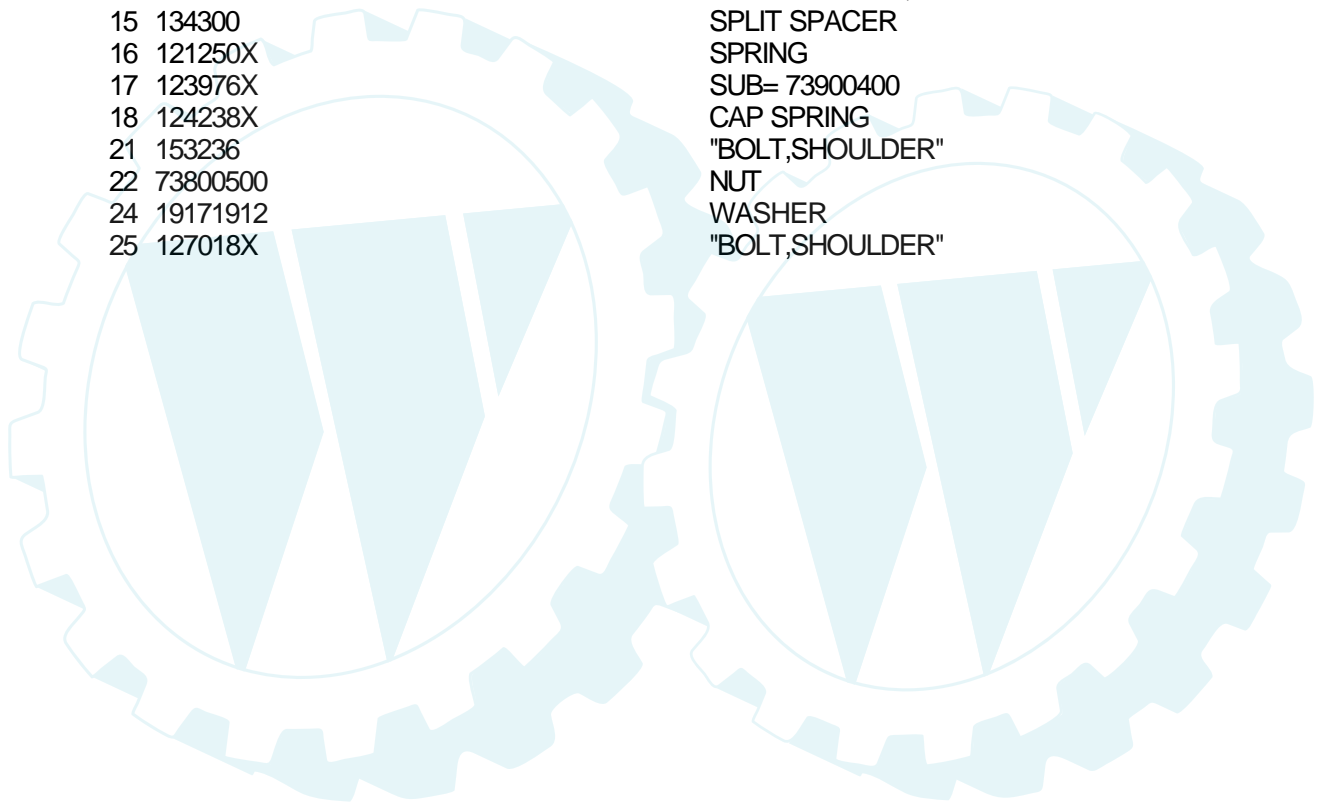


**TRACTOR - MODEL NUMBER PP165H42 (PP165H42A), PRODUCT NO. 954 19 00-24
SEAT ASSEMBLY**

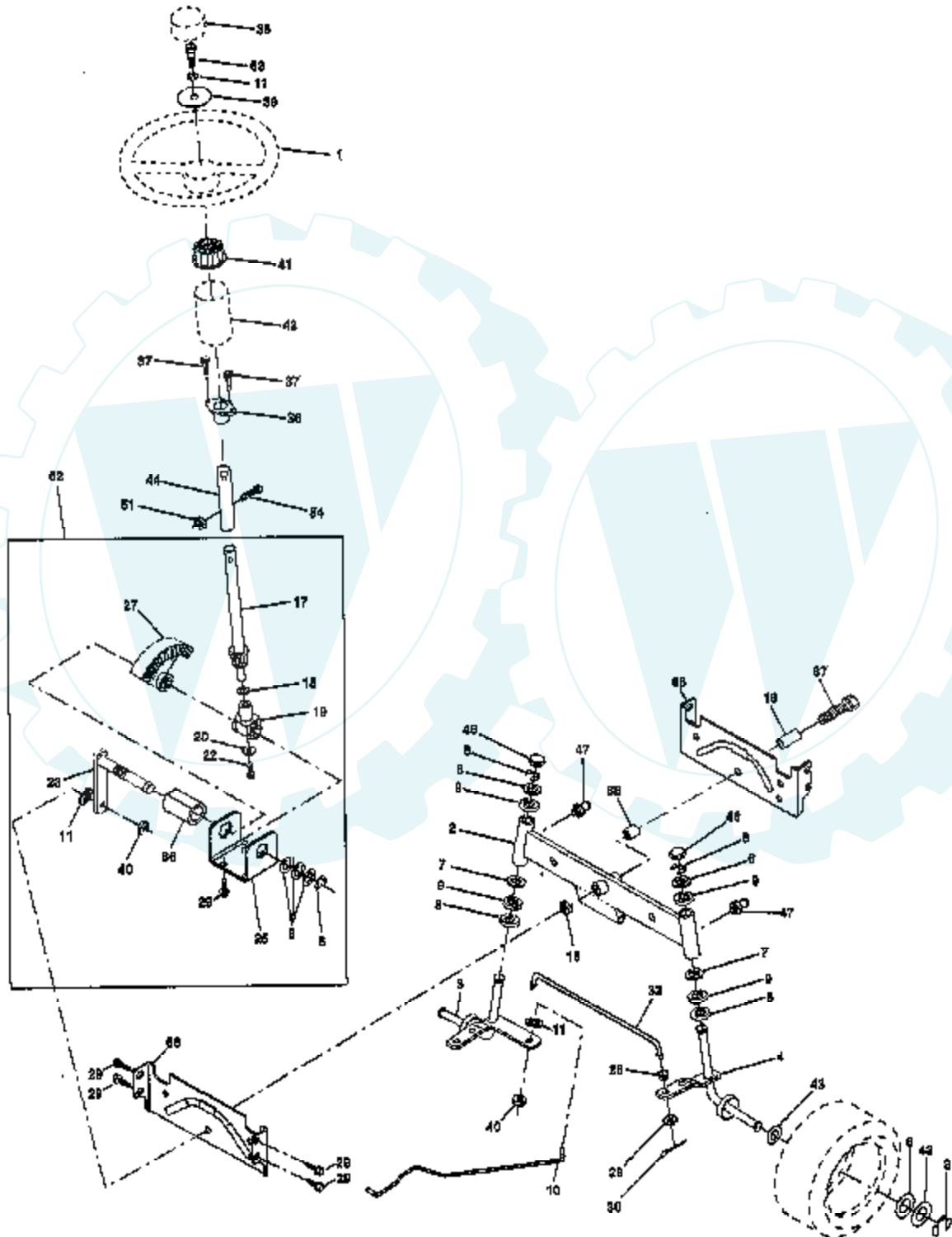


NOTE: All component dimensions given in U.S. inches.
1 inch = 25.4 mm

Ref #	Part Number	Qty	Description
1	140117		SEAT.2400/1416.BK
2	140551		BRACKET PVT SEAT
3	74760616		BOLT
4	19131610		WASHER PM
5	145006		CLIP.PUSH-IN.HING
6	73800600		NUT
7	124181		SPRING, COMPRESSION, SEAT
8	17490616		SCREW GTV
9	19131614		WASHER
10	155925		PAN-SEAT
11	120068X		"KNOB 1/2"" YT"
12	121246X		BRKT SWITCH
13	121248X		BUSHING
14	72050412		BOLT-RD HD SQ NK
15	134300		SPLIT SPACER
16	121250X		SPRING
17	123976X		SUB= 73900400
18	124238X		CAP SPRING
21	153236		"BOLT,SHOULDER"
22	73800500		NUT
24	19171912		WASHER
25	127018X		"BOLT,SHOULDER"



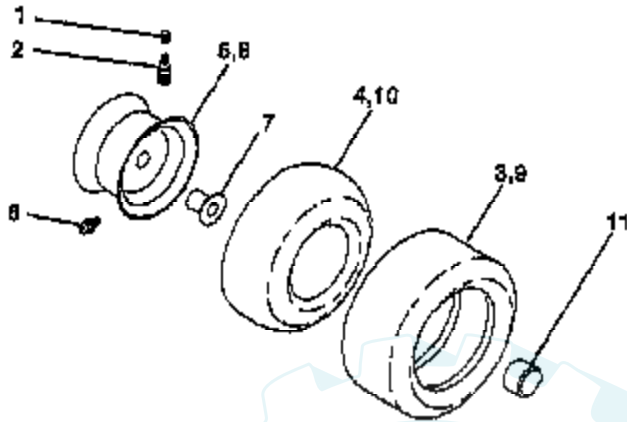
**TRACTOR - MODEL NUMBER PP165H42 (PP165H42A), PRODUCT NO. 954 19 00-24
STEERING ASSEMBLY**



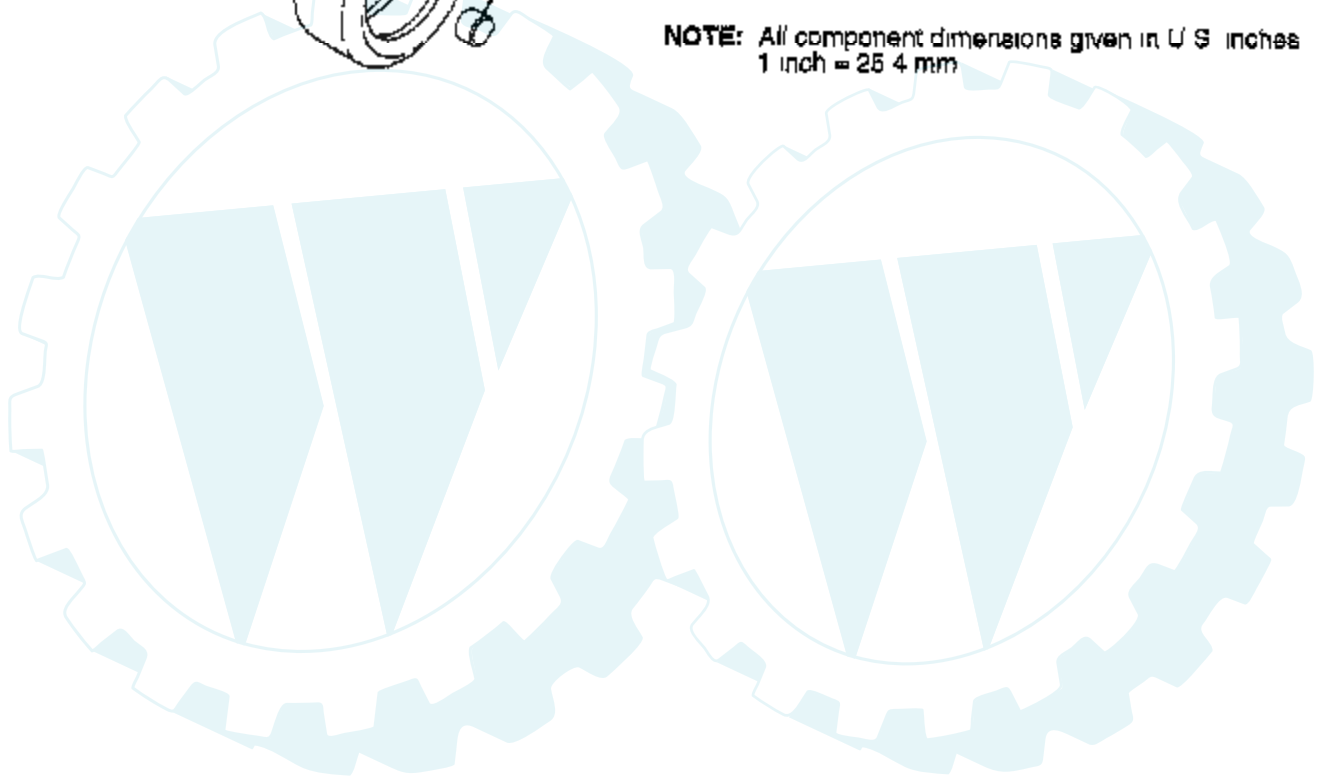
Ref #	Part Number	Qty	Description
1	121472X		SUB= 150546
2	154427		AXLE ASM
3	156483		SPINDLE.ASM.LH
4	157473		"SPINDLE ASM,RH"
5	6266H		WASHER .T
6	121748X		WASHER
7	19272016		WASHER
8	12000029		RING
9	3366R		COL. SRTG. BEAR.
10	156438		DRAGLINK-STAMPED
11	10040600		LOCKWASHER
13	154779		BEARING AXLE
15	73901000		"NUT-LOC,FLANGE LT"
17	156546		SHAFT ASM STEERIN
18	57079		THRUST WASHER
19	124035X		SUPPORT.SHAFT
20	126684X		SUB= 532126684
22	71200410		SCREW HEX SOC1/4-
23	127501		SUB= 918127501
25	154406		BRKT-STEERING
26	126847X		BUSHING.DRAGLINK
27	136874		GEAR SECTOR
28	19131416		WASHER
29	17490612		SCREW
30	76020412		COTTER PIN
32	130465		TIE ROD
36	155099		BUSHING.STEERING
37	152927		"SCREW-TT,10-32 FL"
38	126805X		"INSERT,STR WHEEL"
39	19133808		WASHER T
40	7810H		GRIPCO NUT
41	100711L		ADAPTER LT
42	145054		BOOT.STEER.PL
43			CHECK WITH SUPPLIER
44	153720		EXT SHAFT STEERIN
46	121232X		CAP
47	6855M		ZERK M
51	73800500		NUT
54	74780520		BOLT
62	156594		KIT STEERING ASM
63	74780616		BOLT
65	154780		SPACER AXLE
66	154404		"BEARING-ARM,PITMA"
67	74781044		BOLT
68	154429		BRACE AXLE

TRACTOR - MODEL NUMBER PP165H42 (PP165H42A), PRODUCT NO. 954 19 00-24

WHEELS & TIRES



NOTE: All component dimensions given in U S inches
1 inch = 25.4 mm



Ref #	Part Number	Qty	Description
1	59192		VALVE CAP
2	65139		VALVE STEM LT
3	106222X		SUB= 122073X
4	59904		TUBE.5.3/4.5/6
5	106732X417		"RIM,FRT T"
6	278H		FITTING LT
7	9040H		"FLANGE, BEARING"
8	106108X417		"RIM 8""
9	106268X		SUB= 122074X
10	7152J		TUBE.18X9.5-8
11	104757X		HUB CAP
	144334		SEALANT.TIRE 10 OZ. TUBE

