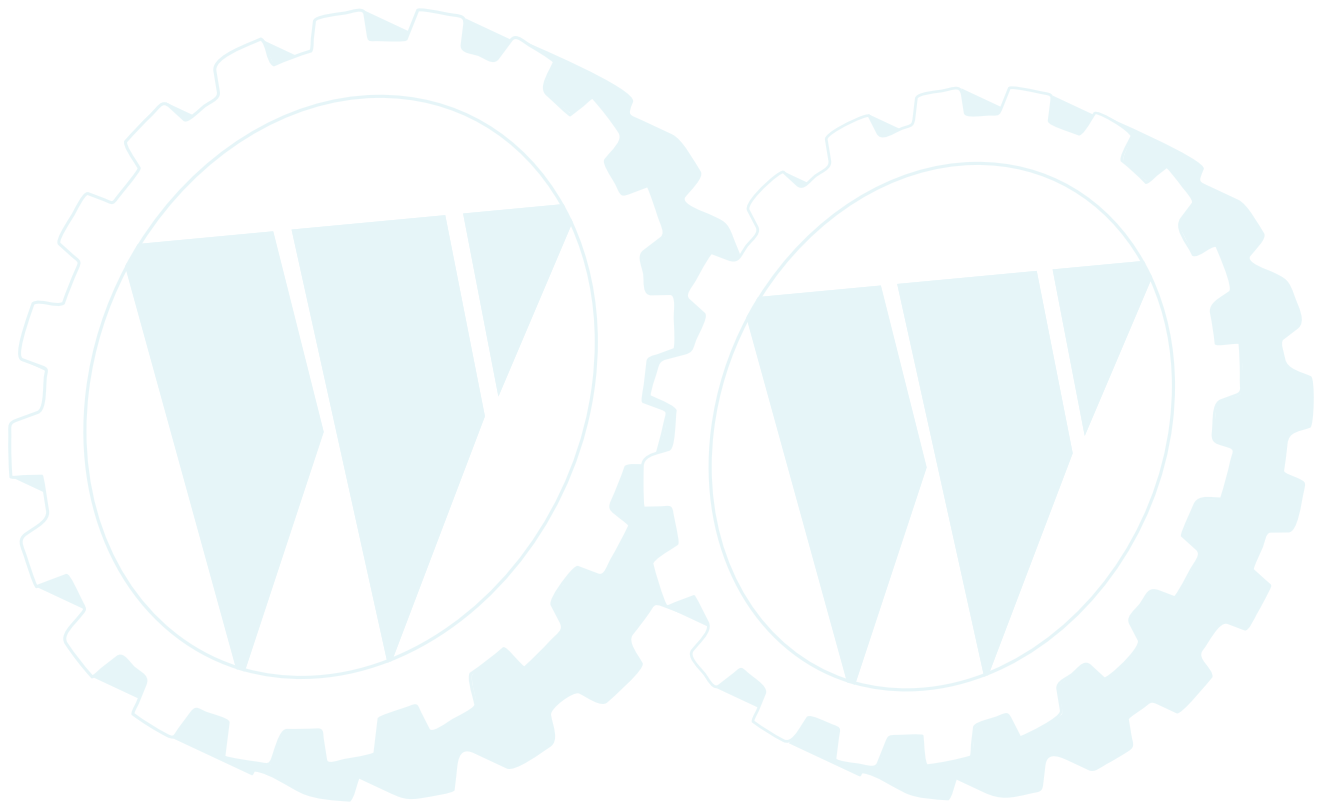
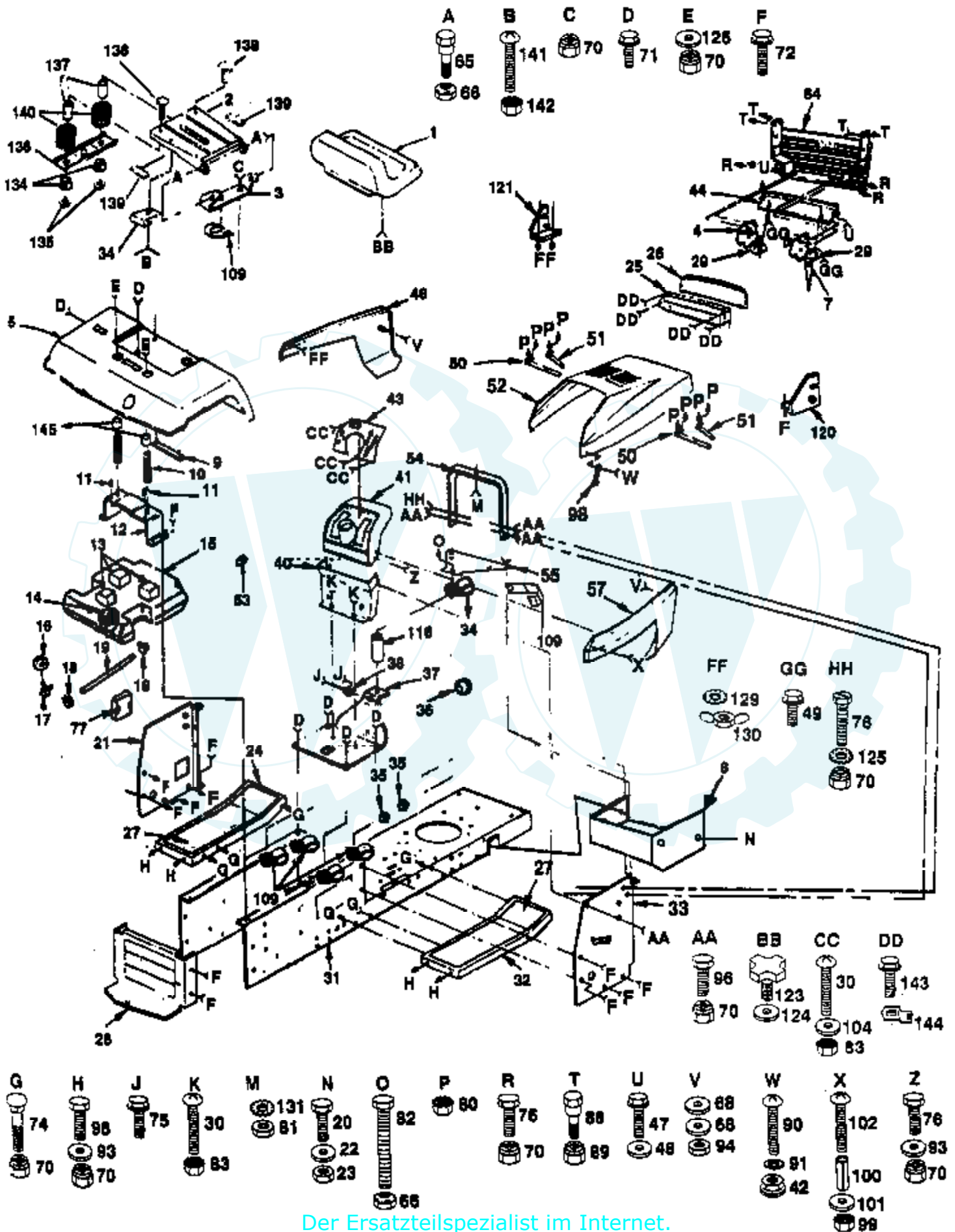


| Ref # | Part Number | Qty | Description |
|-------|-------------|-----|--|
| 1 | 122614X | | Housing, Half L.H. |
| 2 | 122615X | | Housing, Half R.H. |
| 3 | 122616X | | Axle L.H. |
| 4 | 122620X | | Axle R.H. |
| 5 | 122621X | | Bearing, Ball |
| 6 | 122622X | | Washer, Flat 3/4 x 1-1/8 x .030 |
| 7 | 122623X | | Gear, Miter |
| 8 | 122624X | | Gear, Miter |
| 9 | 122625X | | Nut, Hex Jam w/Patch 1/2-20 |
| 10 | 122626X | | Shaft, Cross |
| 11 | 122688X | | Screw, Stud |
| 12 | 122629X | | Snap, Ring |
| 13 | 122631X | | Bearing, Thrust |
| 14 | 122633X | | Housing Assembly, Differential |
| 15 | 122634X | | Bearing, Flange |
| 16 | 122640X | | Gear, Differential 72 Tooth |
| 17 | 122641X | | Bolt, Torx Head 1/4-28 x 5/8" |
| 18 | 122642X | | Shaft, Input |
| 19 | 122643X | | Snap, Ring |
| 20 | 122644X | | Retaining Ring 7/16" |
| 21 | 122645X | | Housing, Input Bearing |
| 22 | 122646X | | Bearing, Needle |
| 23 | 122647X | | Bearing, Thrust |
| 24 | 122648X | | Washer, Flat 5/8 x 1-1/8 x .030 |
| 25 | 122649X | | Key, Hi-Pro 3/32 x 5/8 |
| 26 | 122650X | | Screw, Hex W/Patch 1/4-20 x 3/4 |
| 27 | 122651X | | Gear, Input Pinion 17 Tooth |
| 28 | 123061X | | Washer, Flat .62 x 1 x .05 |
| | 122678X | | Washer, Flat .62 x 1.125 x .060 Not Shown. |
| | 122654X | | Washer, Flat .62 x 1 x .040 Not Shown. |
| 29 | 122656X | | Pin, Cotter |
| 30 | 122653X | | Nut, Castle 5/16-24 |
| 31 | 122659X | | Washer, Flat .343 x .88 x .062 |
| 32 | 122660X | | Arm, Brake Actuator |
| 33 | 122662X | | Pin, Brake Actuating |
| 34 | 122663X | | Brake, Yoke |
| 35 | 122664X | | Disc, Brake |
| 36 | 123065X | | Key, Hi-Pro 3/16 x 5/8" |
| 37 | 122666X | | Screw, Hex 1/4-20 x 1.50 |
| 38 | 122667X | | Plate, Puck |
| 39 | 122668X | | Puck, Brake |
| 40 | 123066X | | Screw, Hex w/Patch 1/4-20 x 2.00 |
| 41 | 122670X | | Screw, Hex Self-Tap 1/4-20 x 2.00 |
| 42 | 122671X | | Screw, Hex Self-Tap 1/4-20 x 3.00 |
| 43 | 126982X | | Bearing, Ball |
| 44 | 122673X | | Bearing, Ball |
| 45 | 122674X | | Shaft, Pinion W/11 Tooth Gear |
| 46 | 122675X | | Shaft, Drive |
| 47 | 123059X | | Bearing, Needle |
| 48 | 123060X | | Bronze Thrust Brg. 5/8 x 1-1/4 x 7/64 |
| 49 | 122654X | | Washer, Flat .62 x 1.0 x .040 |
| | 123061X | | Washer, Flat .62 x 1.0 x .050 Not Shown. |
| 50 | 122689X | | Spacer |
| 51 | 121839X | | Coupling |
| 52 | 126975X | | Gear, 60 and 17 Tooth |
| 53 | 122682X | | Nut, Hex 1/4-20 |
| 54 | 122683X | | Gear, Drive Pinion 17 Tooth |
| 55 | 122684X | | Bolt, Square Head |

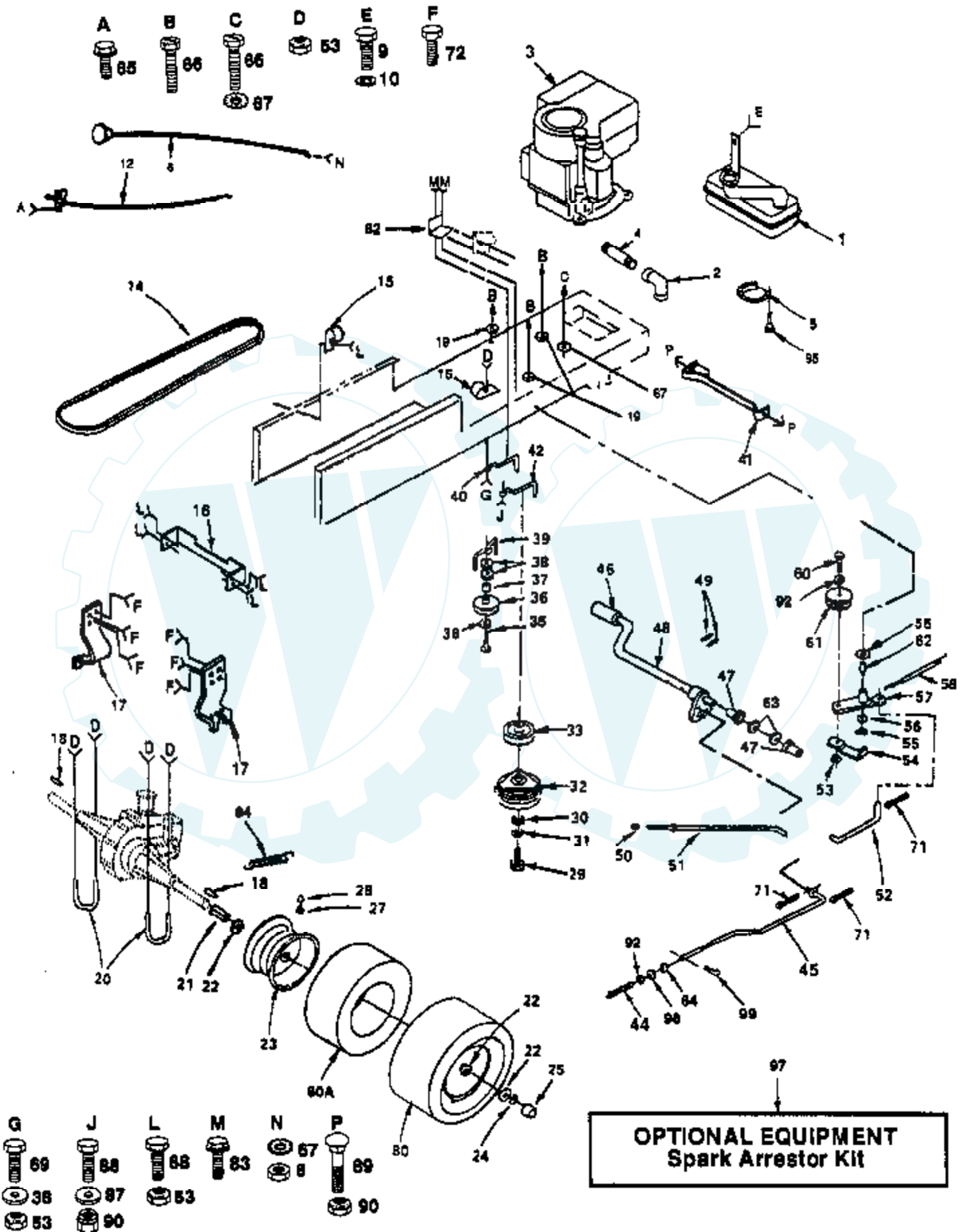
| Ref # | Part Number | Qty | Description |
|-------|-------------|-----|--|
| 56 | 122685X | | Washer 15/16 x .265 x .125 |
| 57 | 122686X | | Washer, Spring Lock 1/4" |
| 58 | 122687X | | Pin, Roll 3/16" x 1/2" |
| 59 | 122652X | | Washer, Flat .62 x 1.0 x .030 |
| 60 | 123062X | | Pin, Dowel 3/32 x 1/4 |
| 61 | 123063X | | Seal, Grease |
| | 121431X | | Transaxle Assembly Complete Not Shown. |





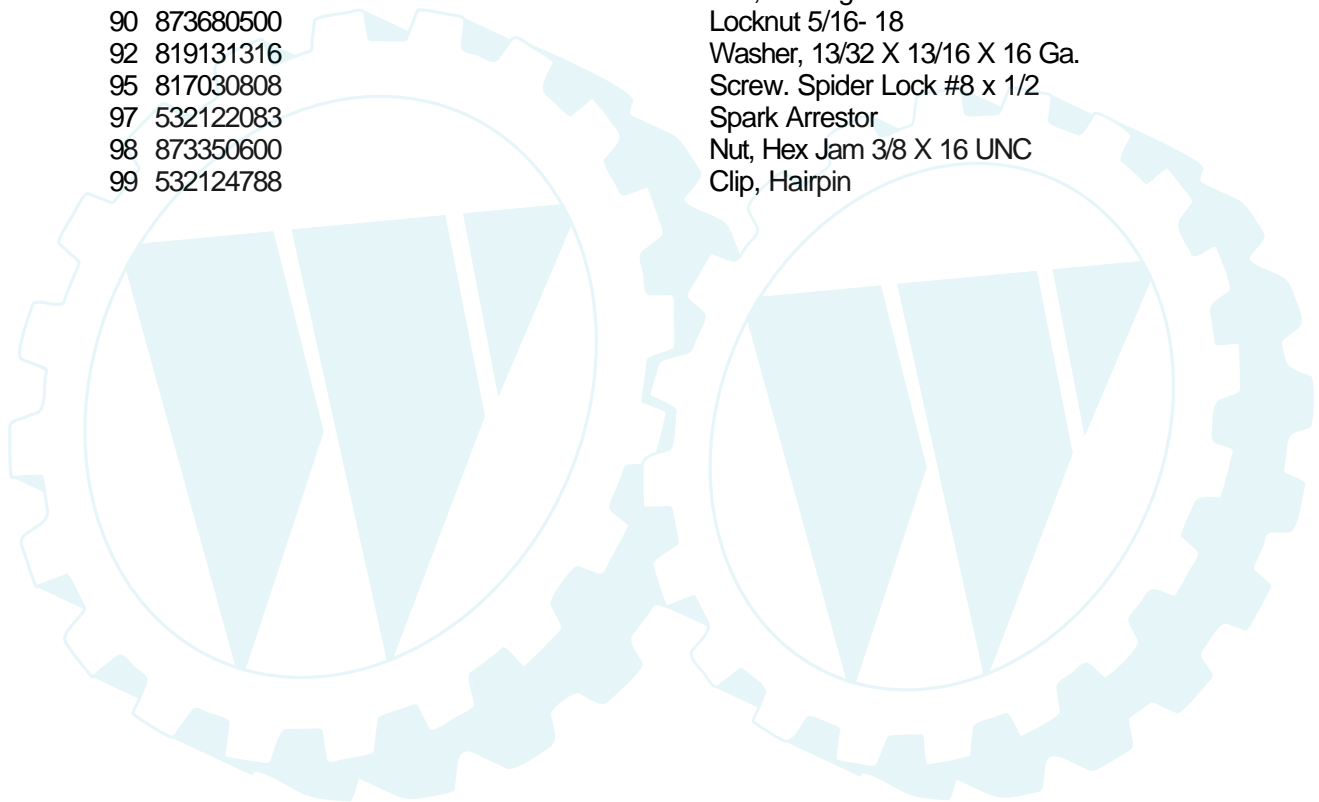
| Ref # | Part Number | Qty | Description |
|-------|-------------|-----|---------------------------------------|
| 1 | 532127429 | | Seat |
| 2 | 532124294 | | Pan, Seat |
| 3 | 532126656 | | Bracket, Pivot, Seat |
| 4 | 532110855 | | Bracket, Asm. L.H. Pivot |
| 5 | 532124998 | | Fender |
| 7 | 532110854 | | Bracket, Asm. R.H. Pivot |
| 8 | 532123665 | | Shield, Heat Front |
| 9 | 532105511 | | Strap, Fender |
| 10 | 532124181 | | Spring, Compression.Seat |
| 11 | 532105531 | | Nut, Push |
| 12 | 532105509 | | Bracket, Fender |
| 13 | 532006431 | | Pad, Spacer |
| 14 | 532123549 | | Cap, Fuel |
| 15 | 532106020 | | Tank, Fuel |
| 16 | 532003645 | | Bushing |
| 17 | 532124951 | | Stem, Tank, Fuel |
| 18 | 532123487 | | Clamp, Hose |
| 19 | 532124953 | | Line, Fuel |
| 20 | 874760412 | | Bolt, Hex Hd. 1/4-20 UNC X 3/4 |
| 21 | 532124118 | | Panel, Dash, L.H. |
| 22 | 819091416 | | Washer 9/37 X 7/8 X 16 Ga. |
| 23 | 532126850 | | Nut, Self Retaining, 1/4-20 |
| 24 | 532124888 | | Footrest, L.H. |
| 25 | 534124939 | | Bezel, Assembly |
| 26 | 532106395 | | Lens |
| 27 | 532108256 | | Pad, Footrest |
| 28 | 532121306 | | Drawbar |
| 29 | 819111212 | | Washer, 11/32 X 3/4 X 12 Ga. |
| 30 | 874180512 | | Screw, Cr. Thd. 5/16-18 x 3/4 |
| 31 | 532127166 | | Chassis |
| 32 | 532124889 | | Footrest, R.H. |
| 33 | 532110828 | | Panel, Dash, R.H. |
| 34 | 532004171 | | Clip, Insulated |
| 35 | 532110436 | | Grommet, Split |
| 36 | 532124934 | | Grommet |
| 37 | 532124766 | | Saddle |
| 38 | 532124720 | | Bushing, Steering |
| 40 | 532104805 | | Dash Assembly, Lower |
| 41 | 532124252 | | Dash |
| 42 | 532125004 | | Nut, Weld |
| 43 | 532124769 | | Plate, Dash |
| 44 | 532124978 | | Strap, Grill |
| 46 | 532124986 | | Panel, Side, L.H. |
| 47 | 817490412 | | Screw, Hex Wsh. Thd. Cut 1/4-20 X 3/4 |
| 48 | 819091216 | | Washer 9/32 X 3/4 X 16 Ga. |
| 49 | 817490512 | | Screw, Hex Wsh Thdrol 5/16-18 X 3/4 |
| 50 | 532106784 | | Strap Assembly, Hinge, Rear |
| 51 | 532104618 | | Strap Assembly, Hinge, Front |
| 52 | 532124976 | | Hood |
| 53 | 532005479 | | Plug, Button |
| 54 | 532110829 | | Support, Dash |
| 55 | 532106965 | | Plate, Support, Battery |
| 57 | 532124989 | | Panel, Side R.H. |
| 64 | 532122100 | | Grill Assembly |
| 65 | 532105529 | | Bolt, Shoulder 5/16-18 |
| 66 | 873680500 | | Nut, Lock 5/16-18 |
| 68 | 819091216 | | Washer 9/32 X 3/4 X 16 Ga. |
| 70 | 873680600 | | Nut, Crownlock 3/8-16 |

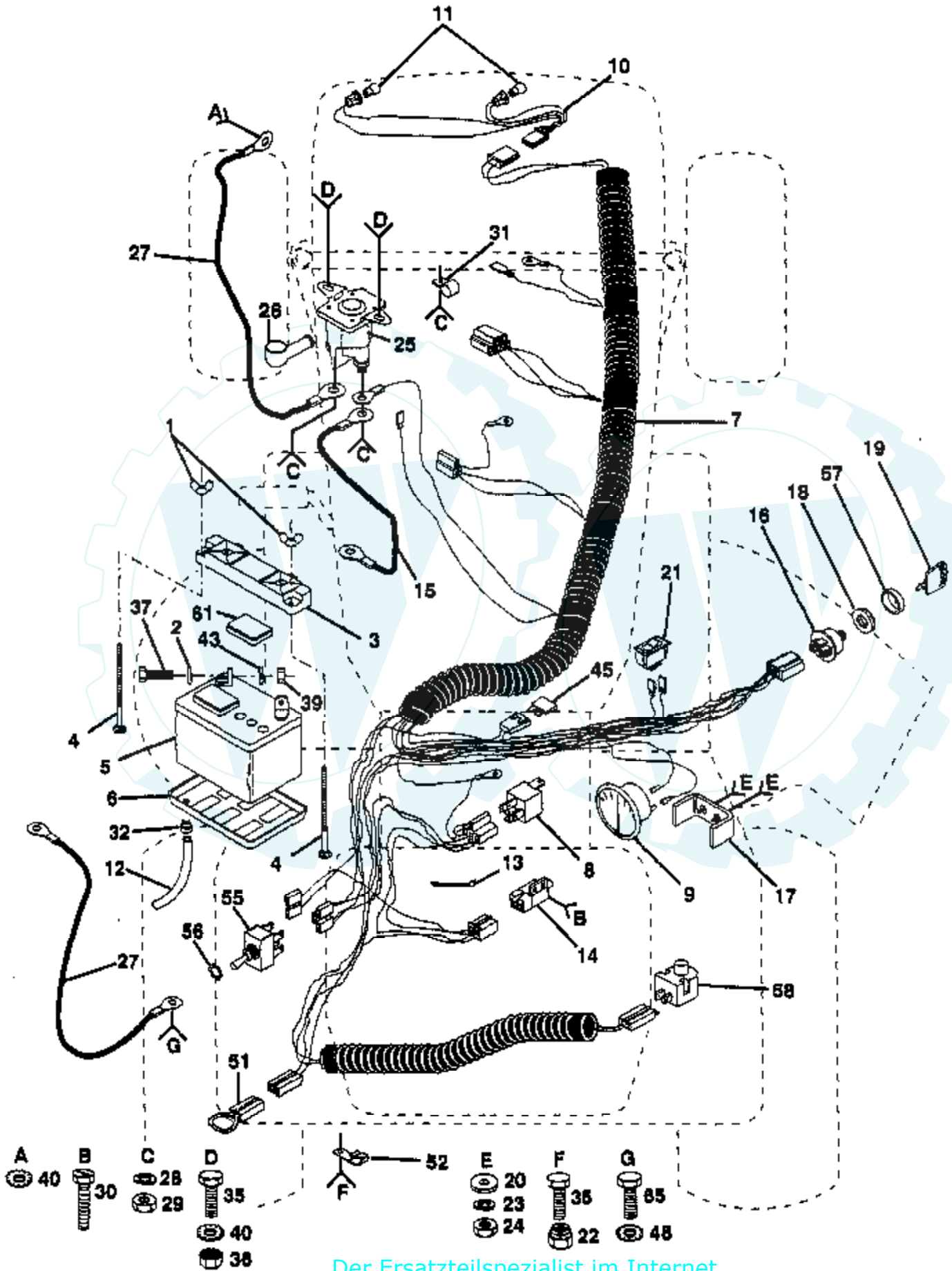
| Ref # | Part Number | Qty | Description |
|-------|-------------|-----|---|
| 71 | 817490608 | | Screw, Hex Washer Thread Rolling 3/8-16 x 1/2 |
| 72 | 817490612 | | Screw, Hex Washer Thread Rolling 3/8-16 x 3/4 |
| 74 | 872140606 | | Bolt, Carriage 3/8-16 x 3/4 |
| 75 | 817431008 | | Screw, Hex Self Tapping #10-16 x 1/2 |
| 76 | 874760616 | | Bolt, Hex 3/8-16 x 1 |
| 77 | 532121794 | | Cover, Access |
| 80 | 873510400 | | Nut, Hex Keps |
| 81 | 873220400 | | Nut, Hex 1/4-20 |
| 82 | 874760532 | | Bolt, Hex 5/16-18 x 2 |
| 83 | 873510500 | | Nut, Keps 5/16-18 |
| 88 | 532123481 | | Bolt, Shoulder 1/4-20 |
| 89 | 873680400 | | Crownlock Nut 1/4-20 |
| 90 | 874191008 | | Screw, Pan Hd. Mach. #10-24 1/2 |
| 91 | 810071000 | | Washer, Lock #10 |
| 93 | 819131312 | | Washer 13/32 x 13/16 x 12 Ga. |
| 94 | 873220400 | | Nut, Fin Hex 1/4-20 UNC |
| 96 | 874760612 | | Bolt, Hex 3/8-16 x 3/4 |
| 98 | 532109808 | | Latch, Hood |
| 99 | 873731000 | | Nut, Keps 10-24 |
| 100 | 532007206 | | Spacer, Split 10 x 3/4 |
| 101 | 819070818 | | Washer 7/32 x 1/2 x 18 Ga. |
| 102 | 874981020 | | Screw, Mach. Cr. Pan 10-24 x 1-1/4 |
| 104 | 819111116 | | Washer 11/32 x 11/16 x 16 Ga. |
| 109 | 532124996 | | Clip |
| 116 | 532121236 | | Spacer |
| 120 | 532110853 | | Bracket Assembly, R.H. |
| 121 | 532110852 | | Bracket Assembly, L.H. |
| 123 | 532120068 | | Adjustment Knob |
| 124 | 819171912 | | Washer 17/32 x 1-3/16 x 12 Ga. |
| 125 | 811050600 | | Washer Lock 3/8 Ext. Tooth |
| 126 | 819131614 | | Washer 13/32 x 1 x 14 Ga. |
| 129 | 811030400 | | Washer Lock Ext. Tooth |
| 130 | 873490400 | | Wing Nut |
| 131 | 811050400 | | Washer, 1/4 Ext. Tooth |
| 134 | 532121248 | | Bushing, Snap .80 |
| 135 | 532123976 | | Nut, Hex, Large, Flange, Lock |
| 136 | 532121246 | | Bracket, Switch Mount |
| 137 | 532121249 | | Spacer, Split .28 x .88 |
| 138 | 872170410 | | Bolt, Carr. 1/4 x 1-1/4 |
| 139 | 532121251 | | Foam Strip |
| 140 | 532121250 | | Spring, Compression |
| 141 | 874641008 | | Screw, Pan Hd. #10-32 |
| 142 | 873951000 | | Nut, Keps #10 |
| 143 | 817211010 | | Screw, Hex WH HD Tap #10-16 X 5/8 |
| 144 | 532104755 | | "J" Fastener |
| 145 | 532124238 | | Spring Cap |
| | 532127620 | | Decal, Hood L.H. Not Shown. |
| | 532127621 | | Decal, Hood R.H. Not Shown. |
| | 532127622 | | Decal, Grill and Fender Not Shown. |
| | 532127639 | | Decal, Chassis, Poulan Pro Not Shown. |
| | 532127648 | | Decal, Fender L.H. Not Shown. |
| | 532127649 | | Decal, Fender R.H. Not Shown. |
| | 532004900 | | Decal, Clutch/Brake Not Shown. |
| | 532108813 | | Decal, Instructions, Caution Not Shown. |
| | 532121215 | | Decal, Belt Instruction Not Shown. |



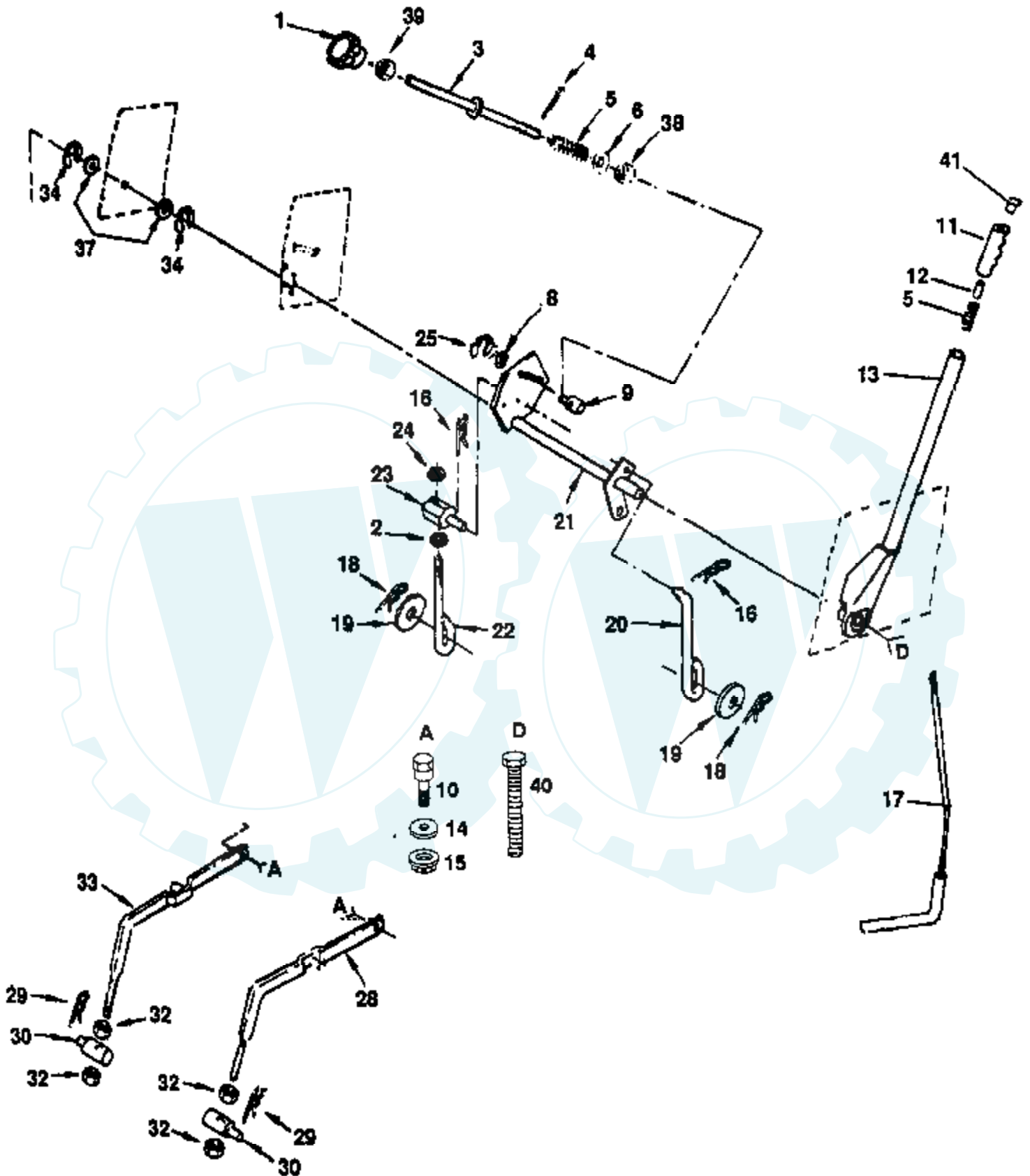
| Ref # | Part Number | Qty | Description |
|-------|-------------|-----|------------------------------------|
| 1 | 532124196 | | Muffler |
| 2 | 813200300 | | Elbow, STD 90 3/8-18NPT |
| 3 | 532127527 | | Engine |
| 4 | 813280336 | | Nipple, Pipe |
| 5 | 532101326 | | Deflector, Exhaust |
| 6 | 532122926 | | Control, Choke |
| 8 | 873610600 | | Nut, Fin Hex 3/8-24 UNF |
| 9 | 874760508 | | Bolt, Hex HD 5/16-18 UNC X 1/2 |
| 10 | 810040500 | | Washer, Lock Hvy. Helical Spring |
| 12 | 532121275 | | Control, Throttle |
| 14 | 532123461 | | V-Belt, Drive |
| 15 | 532124996 | | Clip |
| 16 | 532121187 | | Bracket, Mounting, Hydro T/A |
| 17 | 532126649 | | Bracket, Transaxle |
| 18 | 532123583 | | Key, Square 1/4 x 2 |
| 19 | 810040500 | | Washer, Lock, Hvy. Hel. Spring |
| 20 | 532121189 | | U-Bolt, 3/8-16 x 2-3/4 |
| 21 | 532121199 | | Spacer, Split |
| 22 | 532121748 | | Washer, 1-1/32 x 1-5/8 x 16 Ga, |
| 23 | 532124999 | | Rim, Rear |
| 24 | 812000001 | | E-Ring |
| 25 | 532104757 | | Cap, Axle |
| 27 | 532065139 | | Stem, Valve |
| 28 | 532059192 | | Cap, Valve |
| 29 | 532125005 | | Bolt, Fin M10 X 1.5 X 100 mm |
| 30 | 532126197 | | Washer, 1-1/2 OD X 15/32 ID X .250 |
| 31 | 810040700 | | Washer, Lock 7/16 |
| 32 | 532108218 | | Clutch, Electric |
| 33 | 532109841 | | Pulley, Engine |
| 35 | 874760644 | | Bolt, Hex 3/8-16 x 2-3/4 |
| 36 | 532004859 | | Idler, Flat |
| 37 | 532004470 | | Spacer |
| 38 | 819131312 | | Washer, 13/32 x 13/16 x 12 Ga. |
| 39 | 532109070 | | Keeper, Belt |
| 40 | 532121218 | | Keeper, Belt, Engine, L.H. |
| 41 | 532109169 | | Clutch Retainer Assembly |
| 42 | 532105730 | | Belt, Keeper, Engine, R.H. |
| 44 | 532106888 | | Spring, Rod, Brake |
| 45 | 532121200 | | Rod, Brake |
| 46 | 532124872 | | Cover, Pedal |
| 47 | 532120183 | | Bearing, Nylon |
| 48 | 532122424 | | Shaft, Foot Pedal, Asm. |
| 49 | 532001572 | | Pin, Roll, 3/16 x 1 |
| 50 | 532071673 | | Cap, Plunger |
| 51 | 532125637 | | Rod, Brake, Park |
| 52 | 532105710 | | Link, Clutch |
| 53 | 873680600 | | Locknut, 3/8-16 |
| 54 | 532123205 | | Retainer, Belt |
| 55 | 812000039 | | Klip Ring |
| 56 | 532110812 | | Washer, Hardened |
| 57 | 532123789 | | Arm, Asm, Idler (Incl. Key No. 62) |
| 58 | 532105709 | | Spring, Return, Clutch |
| 60 | 874760624 | | Bolt, Hex, 3/8-16 x 1-1/2 |
| 61 | 532123766 | | Idler, V. Grove |
| 62 | 532105706 | | Bearing |
| 63 | 819211616 | | Washer, 21/32 x 1 x 16 Ga. |
| 64 | 873800600 | | Nut |
| 65 | 817720410 | | Screw, Hex Thread Cut 1/4-20 x 5/8 |

| Ref # | Part Number | Qty | Description |
|-------|-------------|-----|---|
| 66 | 532125006 | | Screw, M8 X 1.25 X 25mm |
| 67 | 811050600 | | Washer, Lock Ext Tooth 3/8 |
| 68 | 874760612 | | Bolt, Hex 3/8-16 x 3/4 |
| 69 | 874760616 | | Bolt, Hex 3/8-16 x 1 |
| 71 | 876020412 | | Pin, Cotter, 1/8 x 3/4 |
| 72 | 817490612 | | Screw, Hex, Thdrol 3/8-16 X 3/4 |
| 80 | 532106268 | | Tire |
| 80A | 532007152 | | Tube |
| 82 | 532108236 | | Bracket, Switch |
| 83 | 817021008 | | Screw, Tap. Hex Hd, #10-24 x 1/2 Type T |
| 84 | 532110422 | | Spring, Brake Return |
| 87 | 819111212 | | Washer, 11/32 X 3/4 X 12 Ga. |
| 88 | 874760516 | | Bolt, Hex Hd. 5/16-18 X 1 |
| 89 | 872140506 | | Bolt, Carriage 5/16-18 x 3/4 |
| 90 | 873680500 | | Locknut 5/16- 18 |
| 92 | 819131316 | | Washer, 13/32 X 13/16 X 16 Ga. |
| 95 | 817030808 | | Screw. Spider Lock #8 x 1/2 |
| 97 | 532122083 | | Spark Arrestor |
| 98 | 873350600 | | Nut, Hex Jam 3/8 X 16 UNC |
| 99 | 532124788 | | Clip, Hairpin |

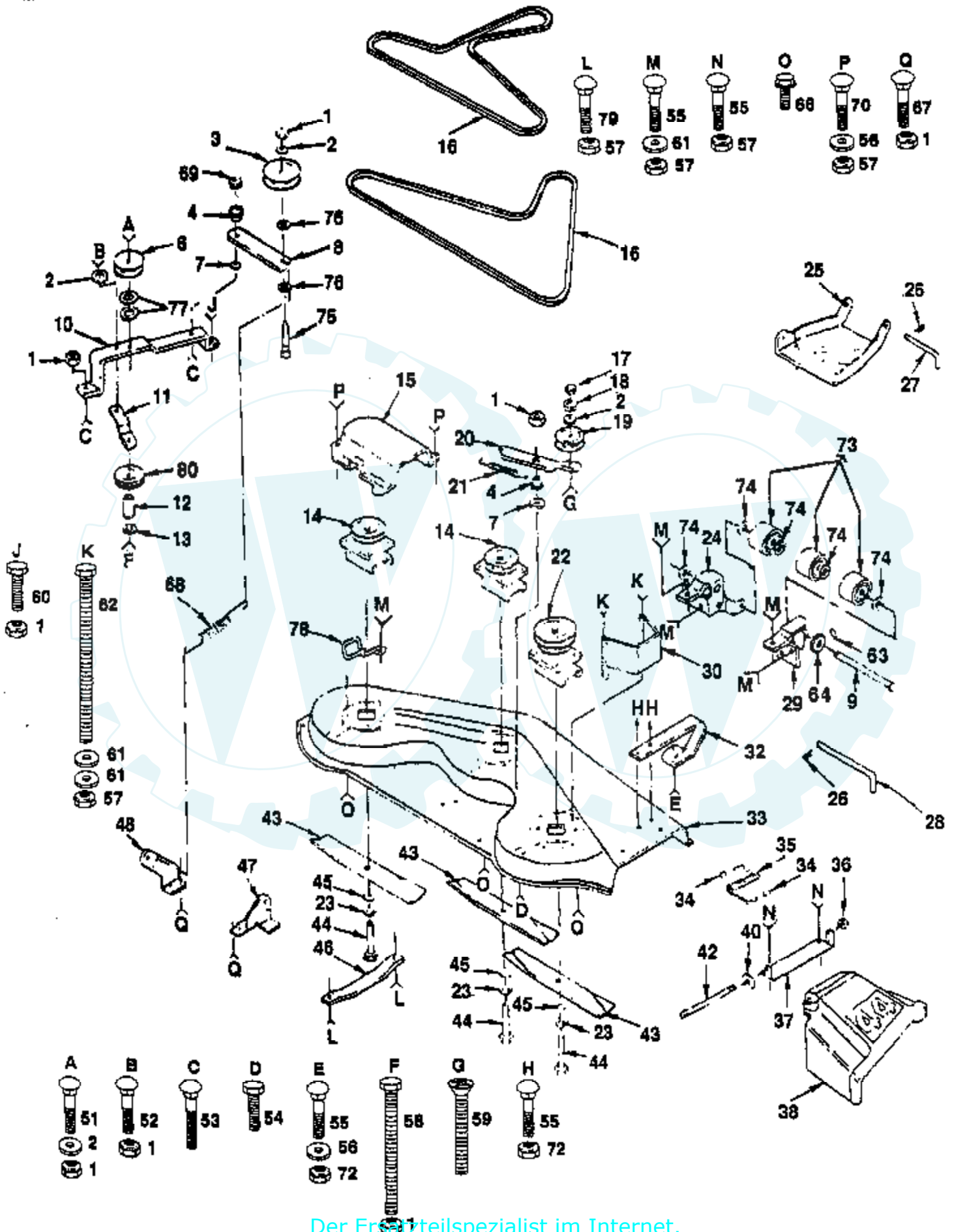




| Ref # | Part Number | Qty | Description |
|-------|-------------|-----|---|
| 1 | 532123198 | | Wing Nut 1/4-20 |
| 2 | 819091016 | | Washer 9/32 x 5/8 x 16 Ga |
| 3 | 532102476 | | Guard, Terminal |
| 4 | 872240460 | | Battery Bolt (Bolt, Carriage, Rd. Hd. Sq. Neck) 1/4-20 x 7-1/21 |
| 5 | 532121537 | | Battery |
| 6 | 532124886 | | Battery Tray |
| 7 | 532127555 | | Harness, Ignition (Includes item 8) |
| 8 | 532109748 | | Relay |
| 9 | 532124900 | | Ammeter |
| 10 | 532127441 | | Harness, Light Socket |
| 11 | 532124893 | | Bulb, Light |
| 12 | 532100541 | | Tube, Battery Tray |
| 13 | 532124756 | | Cable Tie |
| 14 | 532109553 | | Switch, Interlock, Clutch |
| 15 | 532124770 | | Cable, Battery (Battery to Solenoid) |
| 16 | 532102972 | | Ignition Switch |
| 17 | 532124901 | | Bracket, Ammeter |
| 18 | 532109788 | | Nut, Ignition |
| 19 | 532122147 | | Key |
| 20 | 819070818 | | Washer 7/32 x 1/2 x 18 Gauge |
| 21 | 532110712 | | Switch, Light |
| 22 | 873680400 | | Nut, Crownlock 1/4-20 |
| 23 | 810101000 | | Washer, Lock |
| 24 | 873911000 | | Nut |
| 25 | 532109081 | | Solenoid |
| 26 | 532124783 | | Terminal Cover |
| 27 | 532124773 | | Cable, Battery (Battery to Ground) |
| 28 | 810090400 | | Washer, Lock |
| 29 | 873350400 | | Nut, Hex Jam 1/4 x 20 UNC |
| 30 | 817021008 | | Screw, Tap. Hex Hd. #10-24 UNC |
| 31 | 532124996 | | Clip, Fuel Line |
| 32 | 532109596 | | Clamp, Hose |
| 35 | 874780408 | | Bolt, Hex 1/4-20 x 1/2 Gr. 5 |
| 36 | 873510400 | | Nut, Keps, Hex 1/4-20 |
| 37 | 874760412 | | Bolt, Hex 1/4-20 x 3/4 |
| 39 | 873220400 | | Nut, Hex 1/4-20 |
| 40 | 811050400 | | Washer, Lock 1/4 Ext. Tooth |
| 43 | 810040400 | | Washer, Lock 1/4 |
| 45 | 532108824 | | Fuse, 30 Amp. |
| 48 | 811050600 | | Washer, Lock, External Tooth 3/4 |
| 51 | 532102501 | | Loop, Wire Tiller Attachment |
| 52 | 532124995 | | Clip, Insulated |
| 55 | 532126016 | | Switch PTO |
| 56 | 532124932 | | Nut, Hex |
| 57 | 532109787 | | Bezel, Ignition |
| 58 | 532121305 | | Switch, Plunger |
| 61 | 532121264 | | Caps, Battery Set |
| 65 | 874760616 | | Bolt, Fin, Hex 3/8-16 UNC x 1 |
| | 532121549 | | Decal Battery Caution Not Shown. |
| | 532101539 | | Sheet, Instruction, Tractor 15ø Slope (English) Not Shown. |
| | 532127586 | | Operators Manual (English) Not Shown. |
| | 532101572 | | Sheet, Instruction, Tractor 15ø Slope (French) Not Shown. |

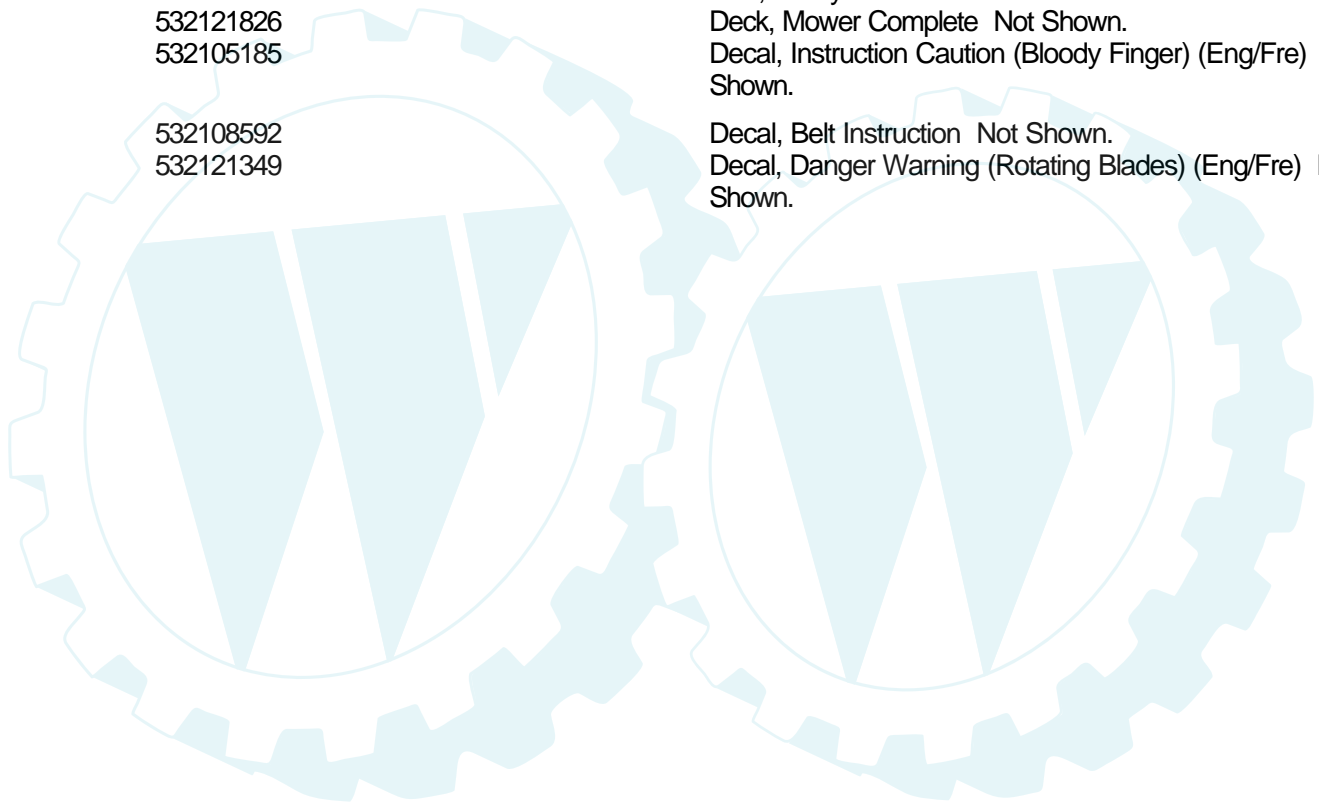


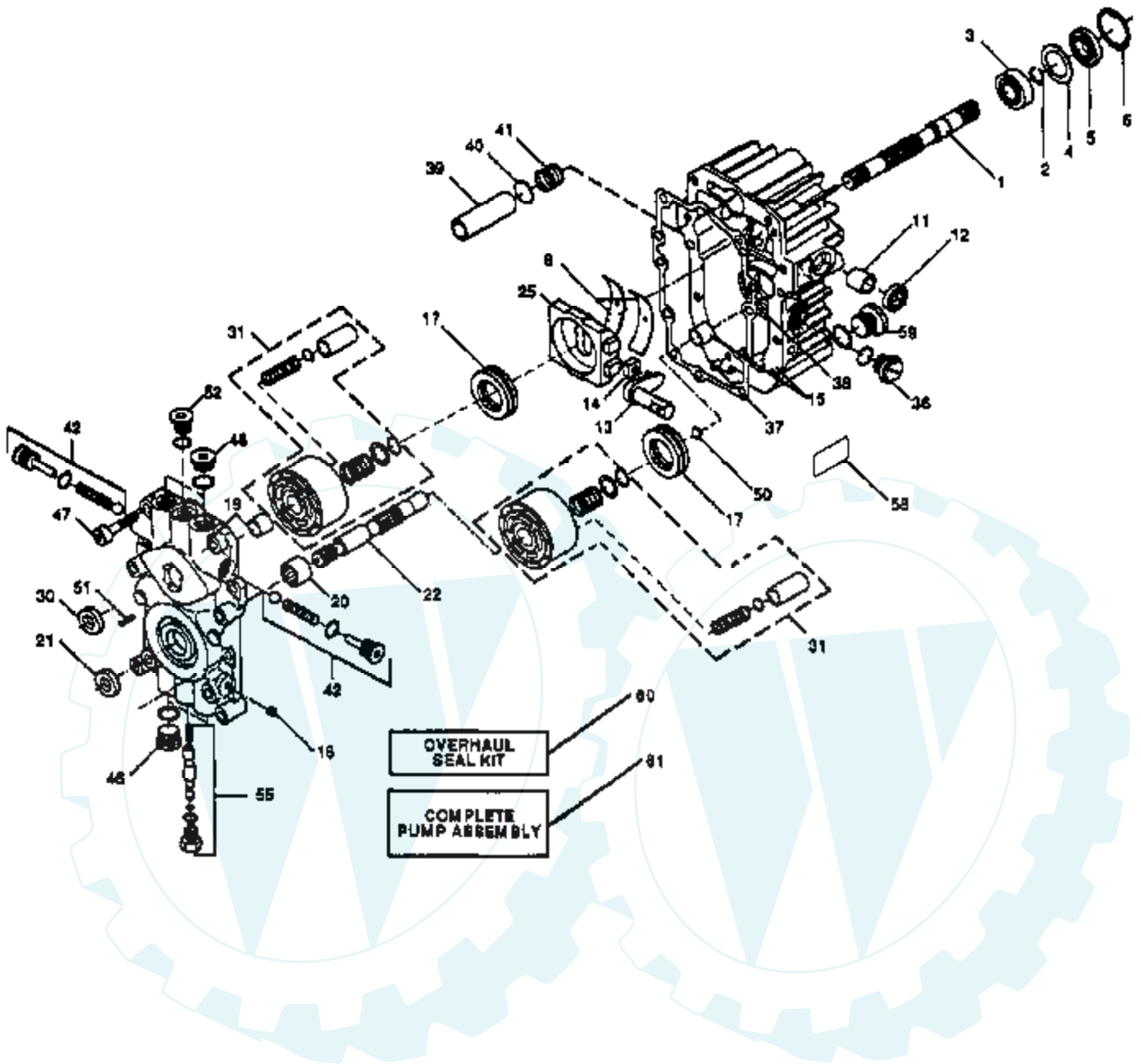
| Ref # | Part Number | Qty | Description |
|-------|-------------|-----|-----------------------------------|
| 1 | 532121891 | | Knob, Depth Adjustment |
| 2 | 873360700 | | Nut, Hex 3/8-16 |
| 3 | 532110729 | | Rod, Adjust, Lift |
| 4 | 876020308 | | Pin, Cotter 3/32 x 1/2 |
| 5 | 532124874 | | Spring |
| 6 | 819131016 | | Washer 13/32 x 5/8 x 16 Ga. |
| 8 | 819151216 | | Washer 15/32 x 3/4 x 16 Ga. |
| 9 | 532110810 | | Trunnion |
| 10 | 532105848 | | Bolt, Shoulder 3/8-16 |
| 11 | 532109413 | | Grip Handle |
| 12 | 532122364 | | Plunger, Lever |
| 13 | 532121002 | | Lever, Lift (Includes Key No. 17) |
| 14 | 532110739 | | Spring Washer |
| 15 | 873980600 | | Center Lock Flange Nut 3/8 x 16 |
| 16 | 532124670 | | Retainer, Spring |
| 17 | 532121006 | | Rod, Lever |
| 18 | 532004921 | | Retainer Spring |
| 19 | 819171516 | | Washer, 17/32 x 15/16 x 16 Ga. |
| 20 | 532110029 | | Link, Lift |
| 21 | 532121000 | | Shaft, Lift |
| 22 | 532110448 | | Link Lift, Adjust |
| 23 | 532110447 | | Trunnion, Lift |
| 24 | 873710700 | | Nut, Lock 7/16-14 |
| 25 | 812000037 | | Klip Ring |
| 28 | 532121598 | | Arm, Suspension R.H. |
| 29 | 532009135 | | Retainer, Spring |
| 30 | 532106308 | | Trunnion, Lift, Lower |
| 32 | 873220800 | | Nut, Hex Fin. 1/2- 13 |
| 33 | 532121599 | | Arm, Suspension, L.H. |
| 34 | 812000022 | | E - Ring, Truarc |
| 37 | 819292016 | | Washer 29/32 x 1-1/4 x 16 Ga. |
| 38 | 532110807 | | Nut, Special |
| 39 | 873350600 | | Nut, Hex Jam 3/8 x 16 UNC |
| 40 | 874780624 | | Bolt, Hex 3/8-16 x 1-1/2 |
| 41 | 532124526 | | Button, Plunger |



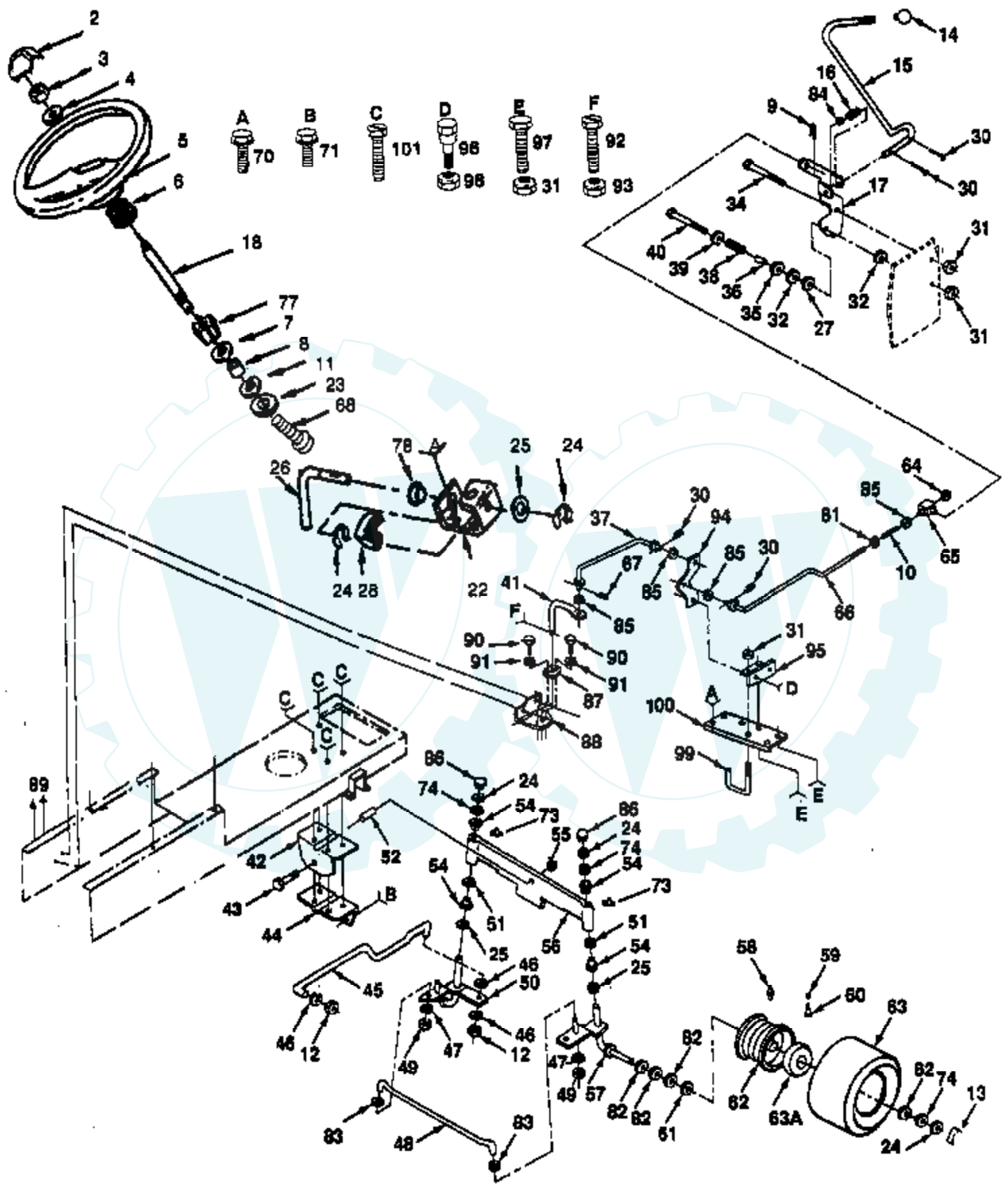
| Ref # | Part Number | Qty | Description |
|-------|-------------|-----|--------------------------------|
| 1 | 873680600 | | Locknut 3/8 x 16 |
| 2 | 819131614 | | Washer 13/32 x 1 x 14 Ga. |
| 3 | 532121316 | | Pulley, Idler |
| 4 | 532106902 | | Spacer |
| 6 | 532124858 | | Pulley, Idler |
| 7 | 532106513 | | Washer, Wear |
| 8 | 532121425 | | Arm, Idler |
| 9 | 532109776 | | Pin, Pivot |
| 10 | 532106523 | | Bar, Support, Idler |
| 11 | 532106522 | | Brace, Idler, Deck |
| 12 | 532121236 | | Spacer |
| 13 | 819131316 | | Washer 13/32 x 13/16 x 16 Ga. |
| 14 | 532121622 | | Mandrel, Secondary |
| 15 | 532106214 | | Guard |
| 16 | 532106085 | | V-Belt |
| 17 | 873220600 | | Nut, Hex 3/8 x 16 |
| 18 | 810040600 | | Washer, Lock 3/8 |
| 19 | 532102932 | | Idler, Flat |
| 20 | 532106526 | | Arm, Idler, Deck |
| 21 | 532124885 | | Spring, Extension |
| 22 | 532121704 | | Mandrel, Primary |
| 23 | 810030600 | | Washer, Lock, Hvy. Helical |
| 24 | 532109599 | | Bracket, Lift, LH |
| 25 | 532105662 | | Link, Parallel |
| 26 | 532004921 | | Retainer, Spring |
| 27 | 532105744 | | Pin, Front, Hinge |
| 28 | 532109835 | | Pin, Rear, Hinge |
| 29 | 532109600 | | Bracket, Lift, RH |
| 30 | 532108119 | | Guard, Belt, RH |
| 32 | 532124950 | | Runner, RH |
| 33 | 532121423 | | Housing, Mower |
| 34 | 532105304 | | Cap, Sleeve |
| 35 | 532106734 | | Spring |
| 36 | 532110452 | | Nut, Push |
| 37 | 532109743 | | Bracket, Deflector |
| 38 | 532109785 | | Guard, Discharge |
| 40 | 819111016 | | Washer 11/32 x 5/8 x 16 Ga. |
| 42 | 532106735 | | Rod, Hinge |
| 43 | 532106635 | | Blade |
| 44 | 874610624 | | Bolt, Hex 3/8 -24 x 1 1/2 Gr.5 |
| 45 | 819132012 | | Washer 13/32 x 1 1/4 x 12 Ga. |
| 46 | 532125074 | | Runner, LH |
| 47 | 532123807 | | Bracket, Suspension, Rear, RH |
| 48 | 532123808 | | Bracket, Suspension, Rear, LH |
| 51 | 872140614 | | Bolt, Carriage 3/8-16 x 1-3/4 |
| 52 | 872140608 | | Bolt, Carriage 3/8-16 x 1 |
| 53 | 872140612 | | Bolt, Carriage 3/8-16 x 1 1/2 |
| 54 | 874760620 | | Bolt, Hex 3/8-16 x 1-1/4 |
| 55 | 872140506 | | Bolt, Carriage 5/16-18 x 3/4 |
| 56 | 819111116 | | Washer 11/32 x 11/16 x 16 Ga. |
| 57 | 873680500 | | Locknut 5/16-18 |
| 58 | 874760648 | | Bolt, Hex 3/8-16 x 3 |
| 59 | 874110632 | | Screw, Flat Head 3/8-16 x 2 |
| 60 | 874760616 | | Bolt, Fin. Hex 3/8-16 X 1 |
| 61 | 819111216 | | Washer 11/32 x 3/4 x 16 Ga. |
| 62 | 874760580 | | Bolt, Hex 5/16-18 x 5 |
| 63 | 876020412 | | Pin, Cotter |
| 64 | 819151616 | | Washer, 15/32 X 1X 16 Ga. |

| Ref # | Part Number | Qty | Description |
|-------|-------------|-----|---|
| 66 | 817490612 | | Screw, Hex Washer Thread Rolling 3/8-16 x 3/4 |
| 67 | 872140606 | | Bolt, Carriage 3/8-16 x 3/4 |
| 68 | 532102727 | | Spring, Extension |
| 69 | 873930600 | | Nut.Centerlock 3/8-16 |
| 70 | 872110506 | | Bolt, Carriage 5/16-18 x 3/4 |
| 72 | 532124949 | | Locknut 5/16-18 |
| 73 | 532109729 | | Roller, Nose |
| 74 | 819151610 | | Washer 15/32 x 1 x 10 Ga. |
| 75 | 872140620 | | Bolt, Carriage 3/8-16 x 2-1/2 |
| 76 | 819131210 | | Washer 13/32 x 3/4 x 10 Ga. |
| 77 | 819131410 | | Washer 13/32 x 7/8 x 10 Ga. |
| 78 | 532121352 | | Keeper, L.H. Mandrel |
| 79 | 872110505 | | Bolt, Carriage 5/16-18 x 5/8 |
| 80 | 532102403 | | Idler, Pulley |
| | 532121826 | | Deck, Mower Complete Not Shown. |
| | 532105185 | | Decal, Instruction Caution (Bloody Finger) (Eng/Fre) Not Shown. |
| | 532108592 | | Decal, Belt Instruction Not Shown. |
| | 532121349 | | Decal, Danger Warning (Rotating Blades) (Eng/Fre) Not Shown. |



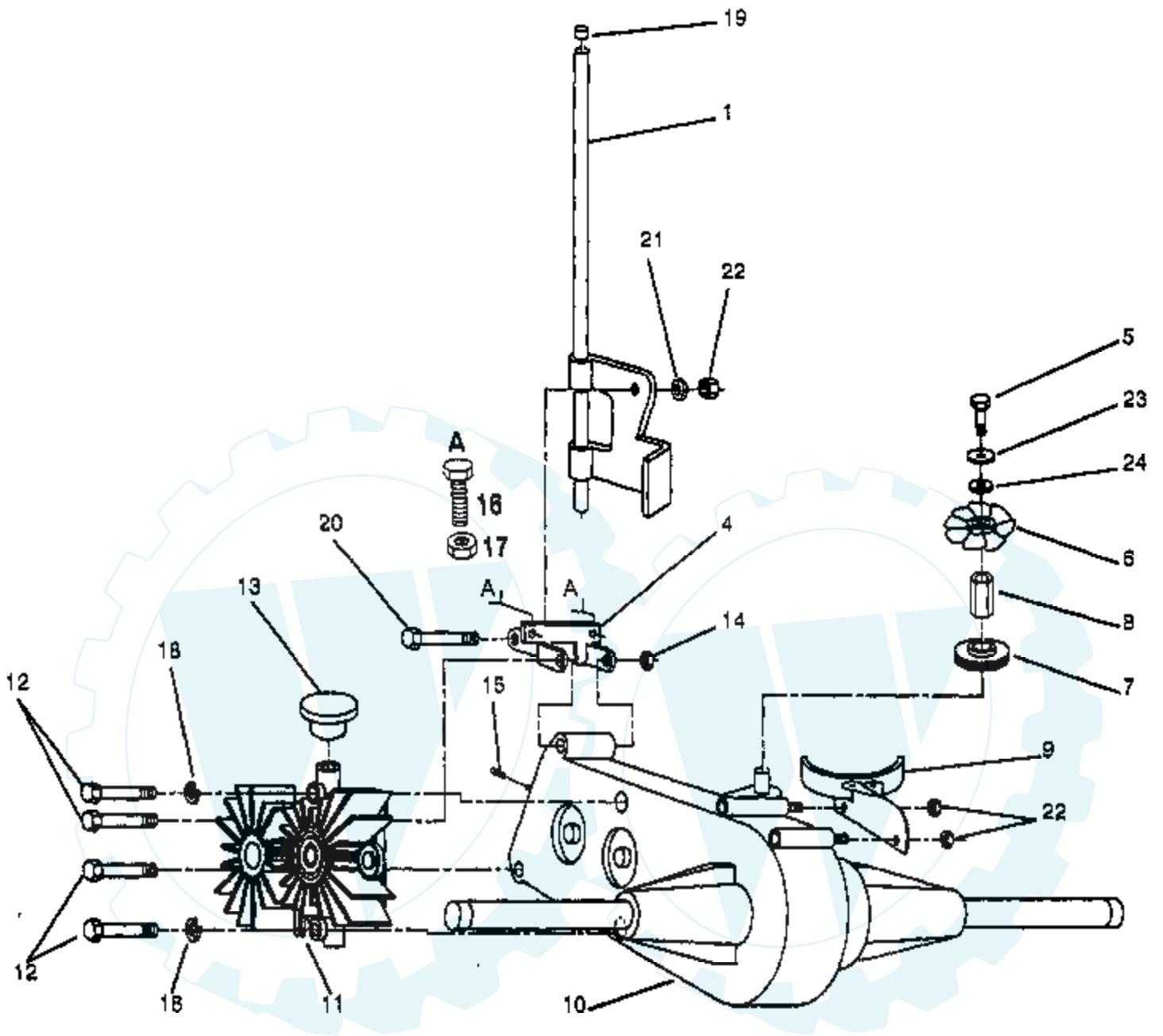


| Ref # | Part Number | Qty | Description |
|-------|-------------|-----|-------------------------------|
| 1 | 122756X | | Shaft, Pump Splined 36T |
| 2 | 122716X | | Ring, Retaining |
| 3 | 122745X | | Bearing, Ball |
| 4 | 122715X | | Spacer |
| 5 | 122700X | | Seal, Lip, Pump Shaft |
| 6 | 122699X | | Ring, Retaining |
| 8 | 122767X | | Bearing, Cradle |
| 9 | 122729X | | Plug |
| 10 | 122746X | | O-Ring |
| 11 | 122747X | | Bearing, Journal Trunnion |
| 12 | 122717X | | Seal, Lip |
| 13 | 122748X | | Arm, Trunnion |
| 14 | 122749X | | Guide, Slot |
| 15 | 122768X | | Housing |
| 16 | 122769X | | Bearing, Journal |
| 17 | 122770X | | Bearing, Asm. Ball |
| 18 | 122771X | | Plug, Pipe |
| 19 | 122772X | | Section, Center |
| 20 | 122773X | | Bearing, Needle |
| 21 | 122722X | | Seal, Lip, Motor Shaft |
| 22 | 122750X | | Shaft, Motor Splined 36 Tooth |
| 23 | 122774X | | Washer |
| 25 | 122775X | | Swashplate |
| 26 | 122776X | | Guide, Bearing |
| 27 | 122777X | | Washer, Thrust |
| 28 | 122778X | | Roller, Thrust |
| 29 | 122779X | | Plate, Thrust |
| 30 | 122723X | | Seal, Lip, Thru Pump Shaft |
| 31 | 122780X | | Cylinder, Block |
| 32 | 122781X | | Cylinder Block |
| 33 | 122782X | | Piston |
| 34 | 122784X | | Piston, Spring |
| 35 | 122785X | | Washer, Thrust |
| 37 | 122786X | | Pin, St. Hdls. |
| 38 | 122718X | | Gasket |
| 39 | 122731X | | Filter |
| 40 | 122730X | | Washer, Filter |
| 41 | 122728X | | Spring, Filter |
| 42 | 122706X | | Plug, Check Valve |
| 43 | 122705X | | O-Ring |
| 44 | 122702X | | Ball |
| 45 | 122704X | | Check, Spring |
| 46 | 122787X | | Plug, Std. Thd. |
| 47 | 122752X | | Screw, Socket Hd. M8 X 35 |
| 48 | 122753X | | Screw, Socket Hd. M8 X 20 |
| 50 | 122788X | | Washer, Thrust |
| 51 | 122789X | | Pin, Spiral |
| 52 | 122754X | | Plug, St, Thd. |
| 53 | 122712X | | O-Ring Bypass Valve |
| 54 | 122708X | | Spring |
| 55 | 122709X | | Bypass Spool |
| 56 | 122712X | | Bypass Plug |
| 57 | 122710X | | O-Rings, Bypass Valve |
| 58 | 122727X | | Nameplate |
| 59 | 122790X | | Plug, Plastic |
| 60 | 122791X | | Spring |
| 61 | 121430X | | Pump Assy, Complete |



| Ref # | Part Number | Qty | Description |
|-------|-------------|-----|---|
| 2 | 532126805 | | Insert, Steering Wheel |
| 3 | 873940800 | | Nut, Hex 3/4-16 |
| 4 | 532100712 | | Washer |
| 5 | 532121472 | | Wheel, Steering |
| 6 | 532100711 | | Adapter, Steering Wheel |
| 7 | 532057079 | | Washer |
| 8 | 532124035 | | Support, Shaft |
| 9 | 532004921 | | Retainer Spring |
| 10 | 532004921 | | Spring, Compression |
| 11 | 532126684 | | Washer, Shim 1/4 X 5/8 X .062 |
| 12 | 873610600 | | Nut, Fin Hex 3/8-24 UNF |
| 13 | 532104757 | | Cap, Axle |
| 14 | 532121274 | | Knob, Gearshift |
| 15 | 532110845 | | Rod, Control |
| 16 | 532121631 | | Spring, Torsion |
| 17 | 532108196 | | Bracket, Control Rod |
| 18 | 532124043 | | Shaft, Steering |
| 22 | 532124036 | | Bracket, Steering |
| 23 | 810040400 | | Washer, Lock, Heavy. Helical Spring 1/4 |
| 24 | 812000029 | | Klip Ring |
| 25 | 532124931 | | Bearing, Thrust |
| 26 | 532124033 | | Shaft, Pitman |
| 27 | 532108972 | | Washer, Phenolic |
| 28 | 532124034 | | Gear, Sector |
| 30 | 876020412 | | Pin, Cotter 1/8 x 3/4 |
| 31 | 873680600 | | Locknut 3/8-16 |
| 32 | 532108200 | | Washer, Friction |
| 34 | 532108518 | | Bolt, Shoulder 3/8-16 x 1-3/8 |
| 35 | 819212016 | | Washer 21/32 x 1-1/4 x 16 Gauge |
| 36 | 532108201 | | Spacer |
| 37 | 532121202 | | Link, Control |
| 38 | 532108844 | | Spring, Compression |
| 39 | 819132012 | | Washer 13/32 x 1-1/4 x 12 Ga. |
| 40 | 874760648 | | Bolt, Hex 3/8-16 x 3 |
| 41 | 532121209 | | Lever, Pump Control |
| 42 | 532105663 | | Support, Saddle, Rear |
| 43 | 874761060 | | Bolt Hex 5/8-11 x 3-3/4 |
| 44 | 532105664 | | Support, Saddle, Front |
| 45 | 532124032 | | Link Drag |
| 46 | 810040600 | | Washer, Lock 3/8 |
| 47 | 810040500 | | Washer, Lock 5/16 |
| 48 | 532121334 | | Rod, Tie |
| 49 | 873810500 | | Nut, Hex 5/16-24 |
| 50 | 532105656 | | Spindle L.H. |
| 51 | 819272016 | | Washer 27/32 x 1-1/4 x 16 Ga. |
| 52 | 532110438 | | Spacer |
| 54 | 532124937 | | Bearing |
| 55 | 873901000 | | Locknut, Flange 5/8-11 |
| 56 | 532108075 | | Axle, Front |
| 57 | 532105654 | | Spindle, R H |
| 58 | 532000278 | | Fitting, Grease |
| 59 | 532065139 | | Stem, Valve |
| 60 | 532059192 | | Cap, Valve |
| 61 | 532009040 | | Bearing |
| 62 | 532125102 | | Rim, 6" Front |
| 63 | 532106222 | | Tire, Front |
| 63A | 532059904 | | Tube, Front |
| 64 | 873800600 | | Nut, Hex Jam 3/8-16 |

| Ref # | Part Number | Qty | Description |
|-------|-------------|-----|---|
| 65 | 532108212 | | Trunnion |
| 66 | 532121750 | | Rod, Control, Adjustable |
| 67 | 532124788 | | Clip, Hairpin |
| 68 | 871070410 | | Screw, Socket Hex 1/4-20 X 5/8 |
| 70 | 817490612 | | Screw, Hex Washer Head Threaded, Rolling 3/8-16 x 3/4 |
| 71 | 817490508 | | Screw, Hex Washer Head Threaded, Rolling 5/16-18 x 1/2 |
| 74 | 532121748 | | Washer 25/32 x 1-5/8 x 16 Ga. |
| 77 | 532124037 | | Gear, Pinion |
| 78 | 532109816 | | Nyliner, Snap - In |
| 81 | 819131212 | | Washer 13/32 x 3/4 x 12 Gauge |
| 82 | 532121749 | | Washer 25/32 x 1 1/4 x 16 Gauge |
| 83 | 819111216 | | Washer 11/32 x 3/4 x 16 Gauge |
| 84 | 819151516 | | Washer 15/32 x 15/16 x 16 Gauge |
| 85 | 532110739 | | Washer, Spring |
| 86 | 532121232 | | Cap, Spindle |
| 87 | 532121217 | | Guide, Control |
| 88 | 532121216 | | Bracket, Guide, Control |
| 89 | 817490512 | | Screw, Hex Washer Head Threaded, Rolling 5/16-18 x 3/4 Type TT |
| 90 | 817021008 | | Screw, Hex Head Tapping #10-24 UNC x 1/2 Type - T |
| 91 | 819070816 | | Washer 7/32 x 1/2 x 16 Ga. |
| 92 | 874561014 | | Bolt 10-24 x 3/4 |
| 93 | 532069180 | | Locknut #10-24 UNC |
| 94 | 532121204 | | Bellcrank |
| 95 | 532121206 | | Bracket, Bellcrank Pivot |
| 96 | 532100536 | | Bolt, Shoulder |
| 97 | 874760616 | | Bolt, Fin Hex 3/8 UNC-16 x 1 |
| 98 | 873680500 | | Locknut 5/16-18 |
| 99 | 532121190 | | Keeper, Centerspan |
| 100 | 532123186 | | Bracket, Chassis, Reinforcement, Hydro |
| 101 | 532122819 | | Screw, Special 3/8-16 X 3/4 |
| | 532127646 | | Decal, Steering Wheel Not Shown. |



| Ref # | Part Number | Qty | Description |
|-------|-------------|-----|-------------------------------------|
| 1 | 532123634 | | Control, Asm., Free Wheel |
| 4 | 532121188 | | Bracket, Pnt. Mounting Differential |
| 5 | 874780412 | | Bolt, Hex Hd. 1/4 -20 UNC x 3/4 |
| 6 | 532121186 | | Fan, Hydro 8" |
| 7 | 532121180 | | Pulley, Transaxle |
| 8 | 532121211 | | Standoff, Fan Hydro |
| 9 | 532121182 | | Guard Assembly, Belt |
| 10 | 532121431 | | Differential Assembly |
| 11 | 532121430 | | Pump Assembly |
| 12 | 874760572 | | Bolt, Hex Fin. 5/16-18 UNC x 4.5 |
| 13 | 532121323 | | Reservoir Pump |
| 14 | 873680500 | | Nut, Crownlock 5/16 - 18 |
| 15 | 532121250 | | Spring, Compression |
| 16 | 874760612 | | Bolt, 3/8-16 x 3/4 |
| 17 | 873680600 | | Nut 3/8-16 UNC |
| 18 | 810040500 | | Washer Lock Hvy. Helical |
| 19 | 532071673 | | Cap, Plunger |
| 20 | 532124815 | | Bolt Shoulder 1/4-20 UNC |
| 21 | 532120529 | | Washer, Nylon |
| 22 | 873680400 | | Nut, Crown lock 1/4-20 UNC |
| 23 | 819092016 | | Washer 9/32 x 1-1/4 x 16 ga. |
| 24 | 810040400 | | Washer Lock, Hvy., Helical |

