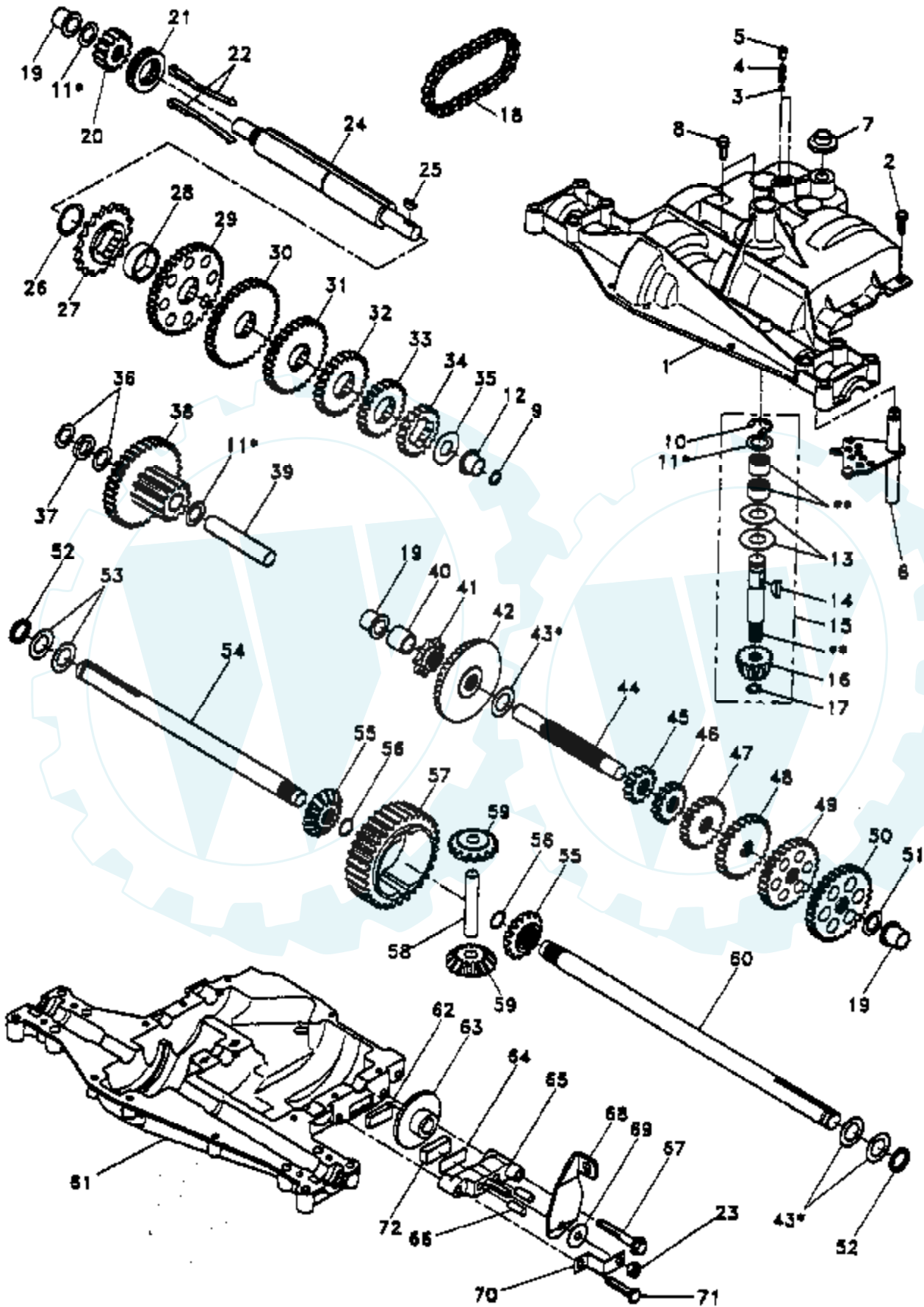
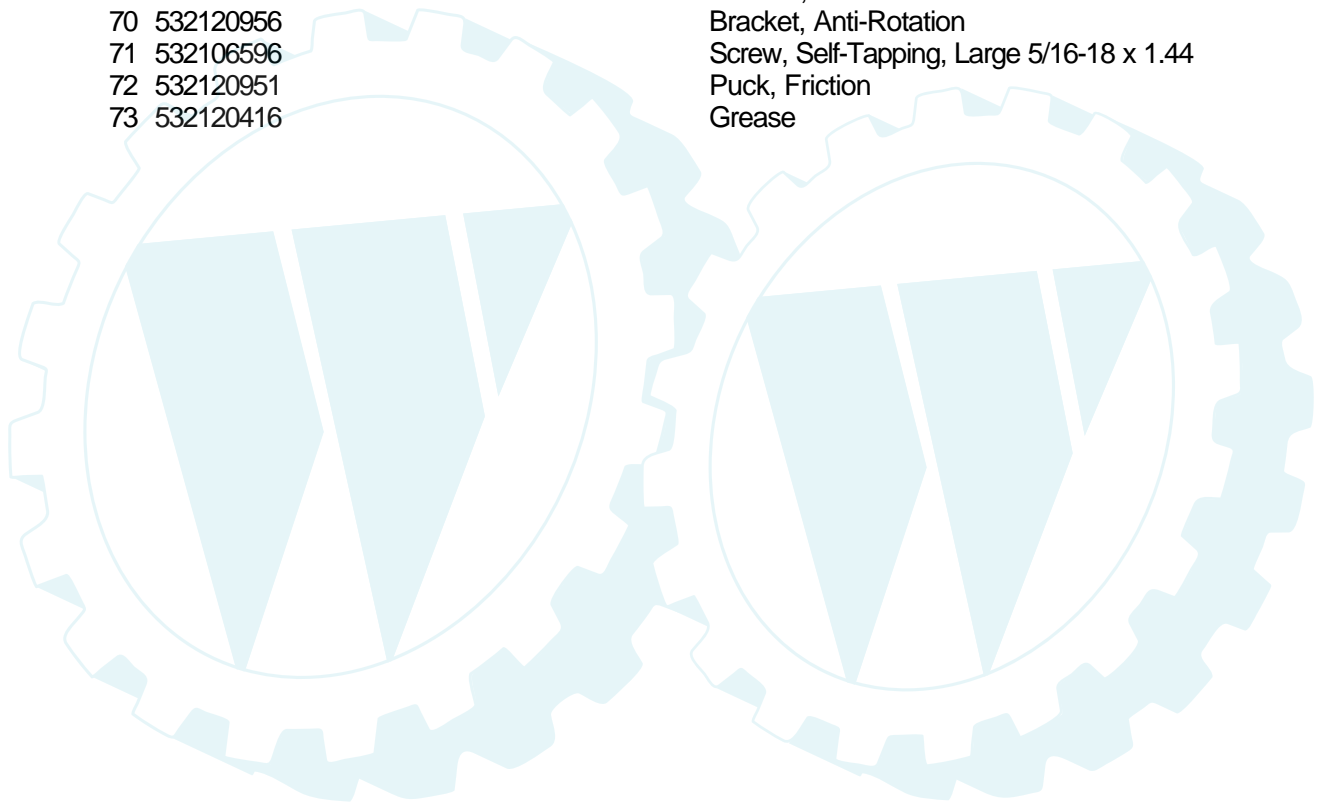


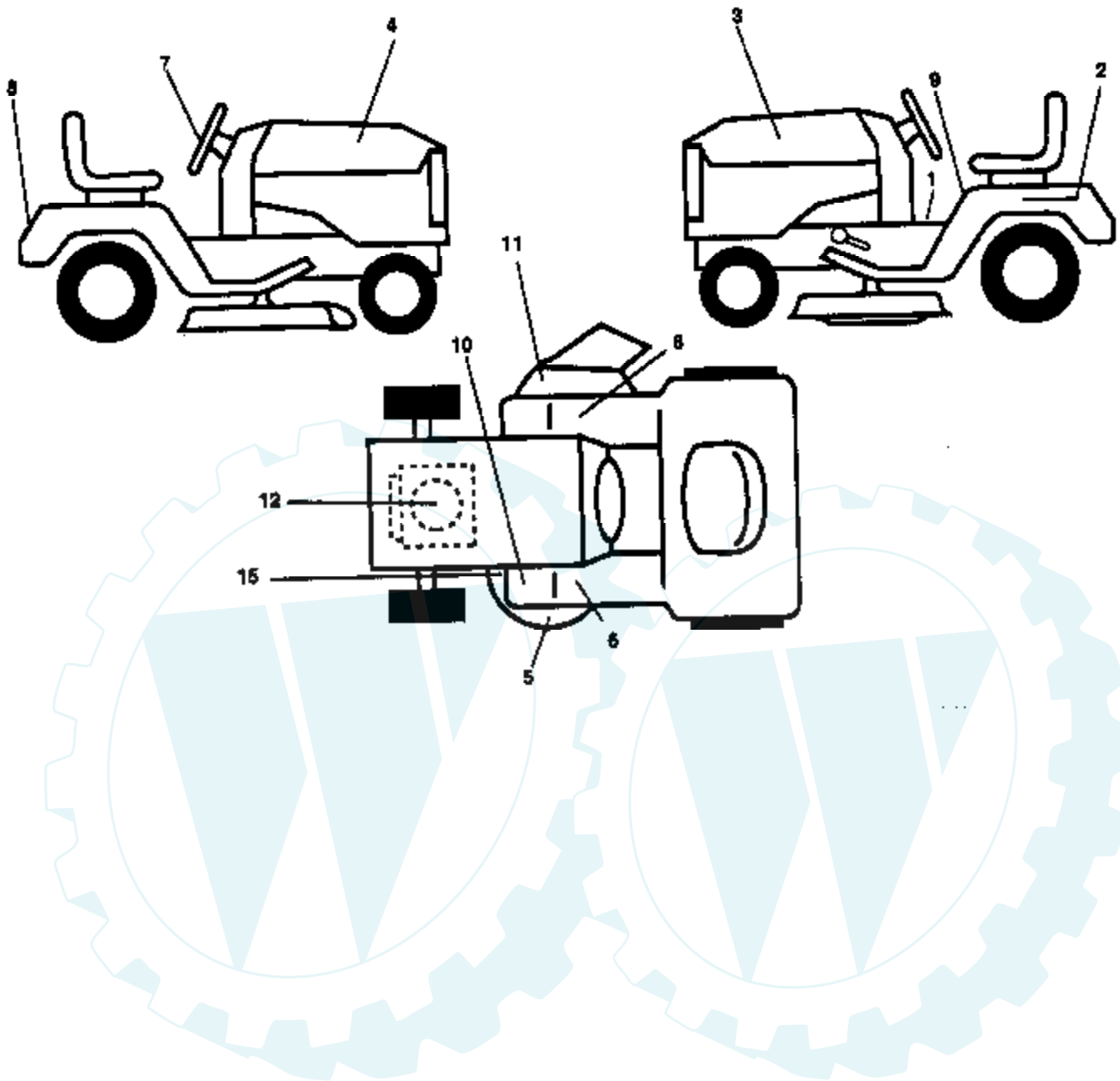
| Ref # | Part Number | Qty | Description |
|-------|-------------|-----|---------------------------------------|
| 1 | 532145501 | | Chassis Weldment 11ga |
| 2 | 532140356 | | Drawbar, Stretch |
| 3 | 817490612 | | Screw Thdrol 3/8-16x3/4 Ty-tt |
| 4 | 819131216 | | Washer 13/32 x 3/4 x 16 Ga. |
| 5 | 811050600 | | Washer Lock Ext. Tooth 3/8 |
| 6 | 532145206 | | Saddle LT Fender Shift |
| 8 | 532126471 | | Clip Insulator .406 |
| 9 | 532140072 | | Dash Private Label |
| 10 | 872140608 | | Bolt Carriage 3/8-16 x 1 |
| 11 | 532140311 | | Panel Pnt Dash Lh |
| 12 | 532145660 | | Clip Tinnerman Grille P/L |
| 13 | 532140178 | | Panel Dash Rh Weldment |
| 14 | 817490608 | | Screw Thdrol 3/8-16x1/2 Ty-tt |
| 17 | 532144473 | | Hood Paint Steel Private Label |
| 20 | 532145210 | | Plate Mtg |
| 23 | 532124028 | | Bushing |
| 24 | 874780616 | | Bolt Fin Hex 3/8-16unc X 1 Gr. 5 |
| 25 | 819131312 | | Washer 13/32 X 13/16 X 12 Ga |
| 26 | 873800600 | | Nut Lock Hex W/Ins 3/8-16 Unc |
| 28 | 532140141 | | Grille Private Label |
| 29 | 532140273 | | Lens Grille Private Label |
| 30 | 532141324 | | Fender Pnt |
| 31 | 532136619 | | Bracket Pnt Fender |
| 33 | 532147947 | | Footrest Pnt Lh |
| 34 | 532147948 | | Footrest Pnt Rh |
| 35 | 872110606 | | Bolt Rdhd Sht Sqnk 3/8-16 X3/4 |
| 37 | 817490512 | | Screw Thdrol 5/16-18 X3/4 |
| 38 | 532139886 | | Bracket, Asm. Pivot, L.H., Mower Rear |
| 39 | 532139887 | | Bracket, Asm. Pivot, R.H., Mower Rear |
| 48 | 532138096 | | Rivet Push Plate D Plastic Blk. |
| 49 | 817490412 | | Screw Hexwsh. Thdrol 1/4-20 x 3/4 |
| 50 | 532142779 | | Brace |
| 51 | 873800400 | | Nut Lock Hex W/Ins 1/4-20 |
| 52 | 819091416 | | Washer 9/32 x 7/8 x 16 Ga. |
| 53 | 532144697 | | Bracket Grille LH |
| 54 | 817030814 | | Screw Lock Spider #8 x 7/8 |
| 55 | 532144696 | | Bracket, Grille RH |
| 57 | 874780412 | | Screw Hex 1/4-20 x 3/4 |
| 58 | 532140806 | | Air Duct P/L |
| 68 | 873510400 | | Nut Keps Hex 1/4-20 UNC |
| | 532005479 | | Plug Button |



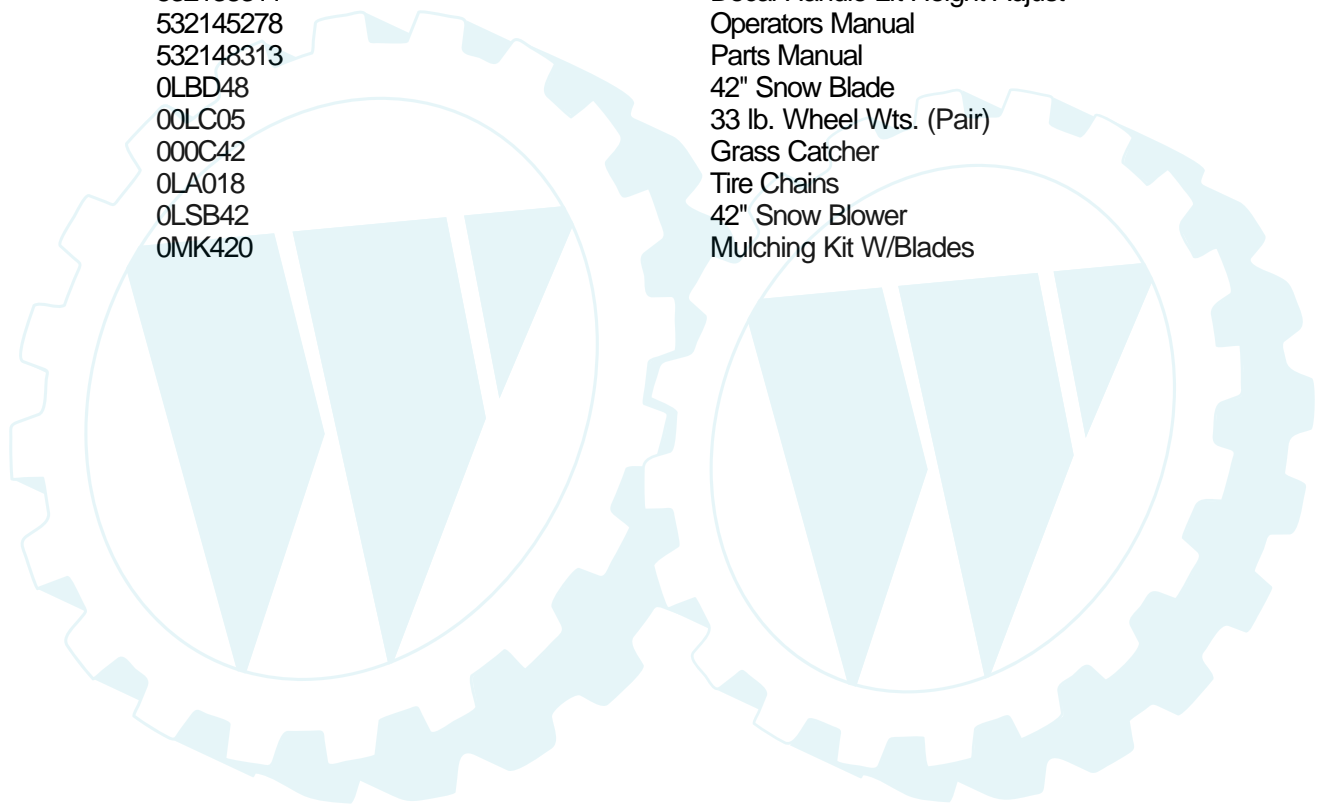
| Ref # | Part Number | Qty | Description |
|-------|-------------|-----|---|
| 1 | 532142671 | | Housing, Upper |
| 2 | 532002274 | | Screw, Self-Tapping, Large 1/4-20 x .734 |
| 3 | 532134400 | | Ball, Detent |
| 4 | 532105904 | | Spring, Detent |
| 5 | 532105905 | | Screw, Set |
| 6 | 532138235 | | Kit, Shifter Assembly |
| 7 | 532134399 | | Boot, Shifter |
| 8 | 532134791 | | Screw, Self-Tapping, with Sealer |
| 9 | 532138241 | | Square Ring |
| 10 | 532142672 | | Ring, Retaining |
| 11 | 532134793 | | Assembly, Kit, Shim .625 Shaft Use in combinations to maintain proper clearances. |
| 12 | 532142673 | | Bearing, Flange |
| 13 | 532120415 | | Washer, Plain .632 x 1.38 x .046 |
| 14 | 532142674 | | Key, Woodruff, #9 |
| 15 | 532138234 | | Assembly, Kit, Input Shaft |
| 16 | 532110078 | | Pinion, Bevel, 14 Teeth |
| 17 | 532105909 | | Ring, Retaining |
| 18 | 532105910 | | Chain, 24 Pitches |
| 19 | 532105911 | | Bearing, Flange |
| 20 | 532142675 | | Gear, Spur, 14 Teeth |
| 21 | 532138246 | | Collar, Clutch |
| 22 | 532138236 | | Assembly, Kit, Clutch Keys |
| 23 | 873810500 | | Locknut 5/16-24 |
| 24 | 532142676 | | Shaft, Intermediate |
| 25 | 532002244 | | Key, Woodruff, #61 |
| 26 | 532105916 | | Ring, Retaining |
| 27 | 532120470 | | Sprocket, 18 Teeth |
| 28 | 532110070 | | Spacer |
| 29 | 532142677 | | Gear, Spur, 37 Teeth |
| 30 | 532142681 | | Gear, Spur, 35 Teeth |
| 31 | 532120405 | | Gear, Spur, 30 Teeth |
| 32 | 532108980 | | Gear, Spur, 25 Teeth |
| 33 | 532120406 | | Gear, Spur, 22 Teeth |
| 34 | 532134796 | | Gear, Spur, 19 Teeth |
| 35 | 532105925 | | Washer, Plain .640 x 1.37 x .061 |
| 36 | 532002232 | | Washer, Plain .632 x 1.00 x .026 |
| 37 | 532108978 | | Spacer .630 x 1.00 x .169 |
| 38 | 532110079 | | Assembly, Gear, Combination of 12 Teeth and 35 Teeth |
| 39 | 532124639 | | Shaft, Idler |
| 40 | 532120472 | | Spacer .635 x .875 x .755 |
| 41 | 532105928 | | Sprocket, 9 Teeth |
| 42 | 532110084 | | Gear, Bevel, 42 Teeth |
| 43 | 532134394 | | Assembly, Kit, Shim .750 Shaft Use in combinations to maintain proper clearances. |
| 44 | 532120473 | | Shaft, Drive |
| 45 | 532142678 | | Gear, Spur, 12 Teeth |
| 46 | 532142679 | | Gear, Spur, 15 Teeth |
| 47 | 532120407 | | Gear, Spur, 20 Teeth |
| 48 | 532106589 | | Gear, Spur, 25 Teeth |
| 49 | 532120408 | | Gear, Spur, 28 Teeth |
| 50 | 532105937 | | Gear, Spur, 31 Teeth |
| 51 | 532002226 | | Washer, Plain .632 x 1.00 x .060 |
| 52 | 532134401 | | Washer, Neoprene |
| 53 | 532002264 | | Washer, Plain .758 x 1.25 x .031 |
| 54 | 532120474 | | Axle, I.H. |
| 55 | 532110081 | | Gear, Miter, 15 Teeth |

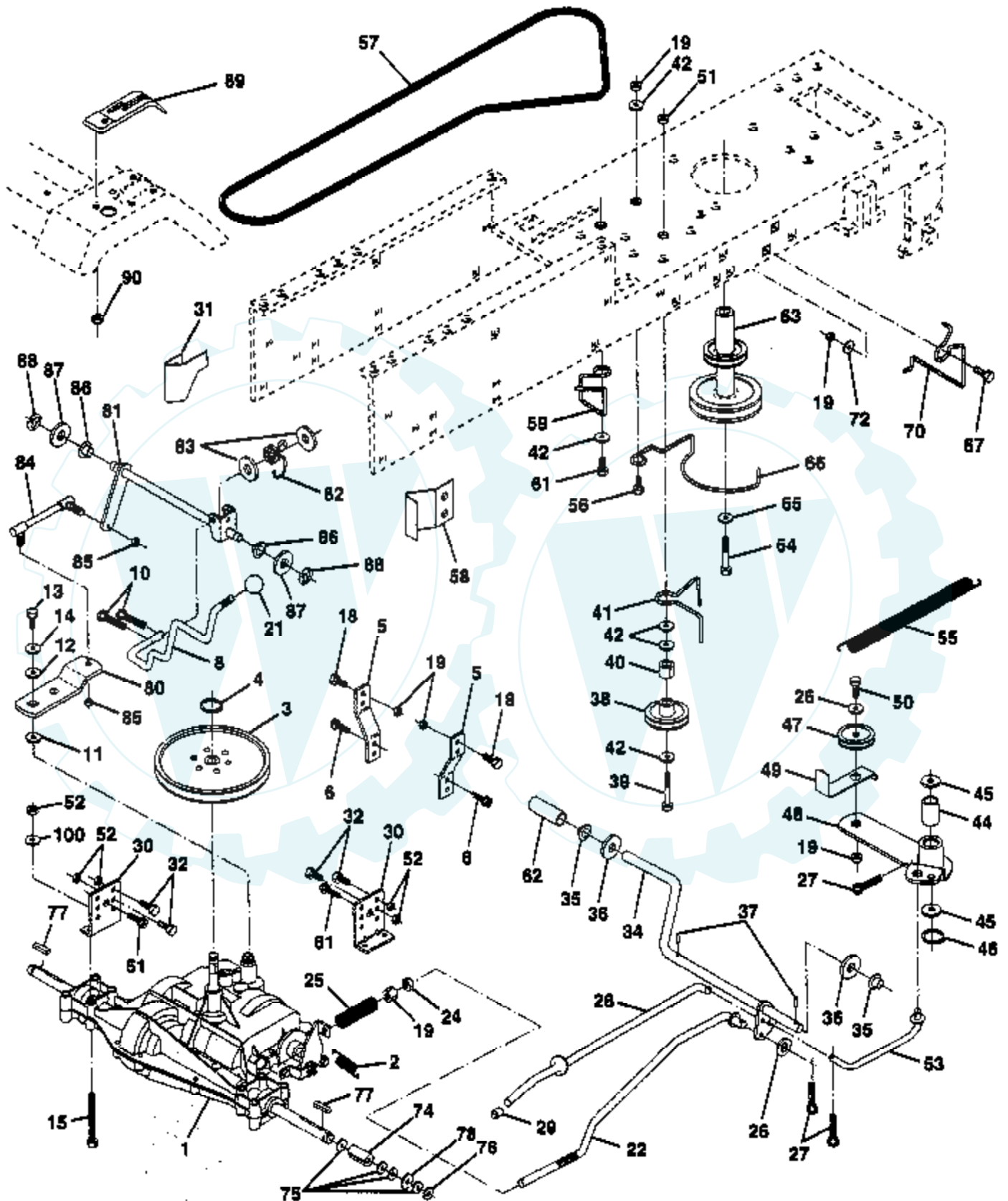
| Ref # | Part Number | Qty | Description |
|-------|-------------|-----|---|
| 56 | 532105941 | | Ring, Retaining |
| 57 | 532110071 | | Gear, Spur, 32 Teeth |
| 58 | 532120952 | | Shaft, Cross |
| 59 | 532110082 | | Gear, Miter, 15 Teeth |
| 60 | 532123908 | | Axle, R.H. |
| 61 | 532142680 | | Housing, Lower |
| 62 | 532120961 | | Puck, Friction |
| 63 | 532007294 | | Disc, Brake |
| 64 | 532108989 | | Spacer |
| 65 | 532120953 | | Jaw, Brake |
| 66 | 532120954 | | Pin, Dowel |
| 67 | 532134799 | | Screw, Self-Tapping, Large 5/16-18 x 2.25 |
| 68 | 532138244 | | Lever, Actuating |
| 69 | 532108996 | | Washer, Plain .321 x 1.00 x .055 |
| 70 | 532120956 | | Bracket, Anti-Rotation |
| 71 | 532106596 | | Screw, Self-Tapping, Large 5/16-18 x 1.44 |
| 72 | 532120951 | | Puck, Friction |
| 73 | 532120416 | | Grease |





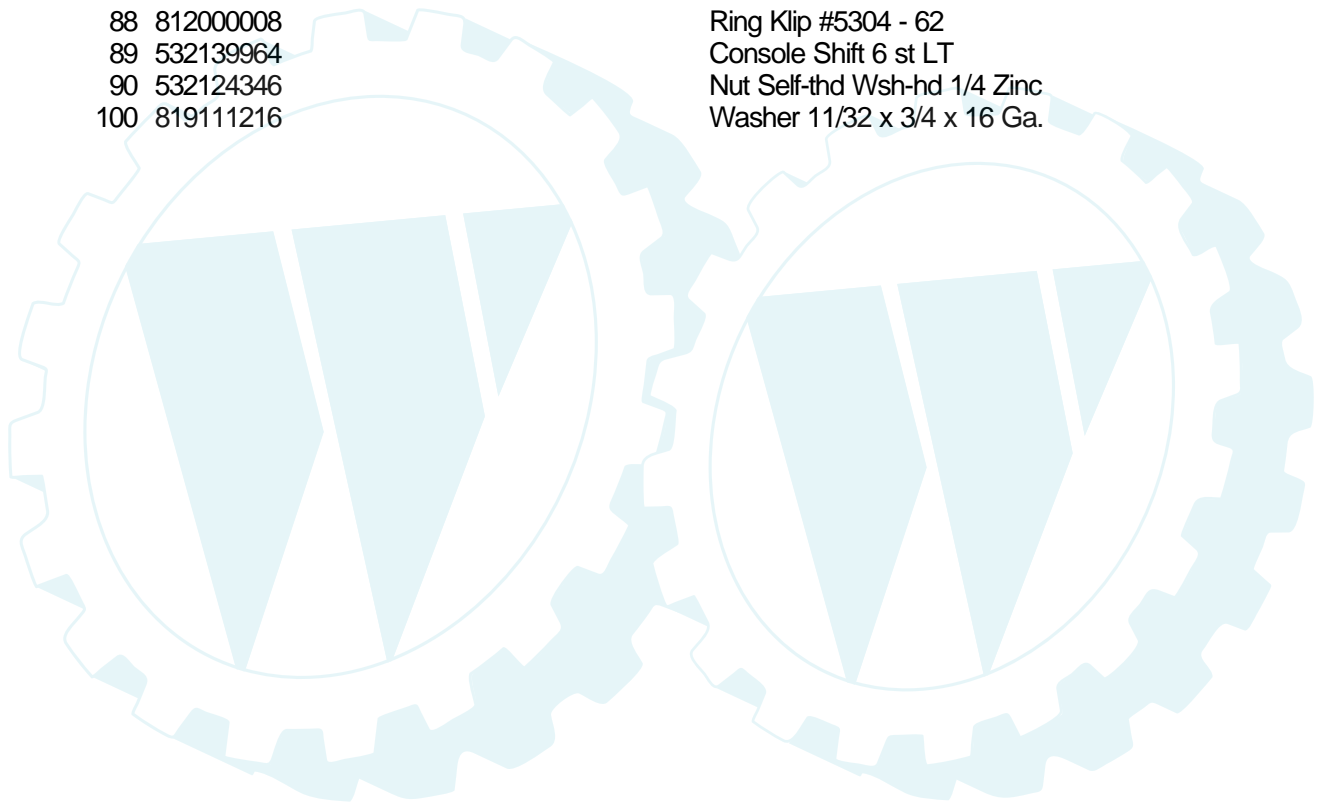
| Ref # | Part Number | Qty | Description |
|-------|-------------|-----|-----------------------------------|
| 1 | 532140820 | | Decal Instruction Dash Eng/fr |
| 2 | 532145005 | | Decal Battery Dan/Poi P/L Symbols |
| 3 | 532146518 | | Decal Hood LH |
| 4 | 532146517 | | Decal Hood RH |
| 5 | 532135013 | | Decal Enviro Deck Yellow |
| 6 | 532133671 | | Pad Footrest Ribbed |
| 7 | 532137963 | | Decal Insert Strg Whl |
| 8 | 532133900 | | Decal Fender Logo |
| 9 | 532133795 | | Decal Caution Fender Eng/fr |
| 10 | 532101892 | | Decal Clutch/brake Eng/fr |
| 11 | 532137259 | | Decal Warning Multi-Language |
| 12 | 532272991 | | Decal Engine B&S 14.5 ICQ OHV |
| 15 | 532136832 | | Decal V-Belt Schematic |
| | 532138311 | | Decal Handle Lft Height Adjust |
| | 532145278 | | Operators Manual |
| | 532148313 | | Parts Manual |
| | 0LBD48 | | 42" Snow Blade |
| | 00LC05 | | 33 lb. Wheel Wts. (Pair) |
| | 000C42 | | Grass Catcher |
| | 0LA018 | | Tire Chains |
| | 0LSB42 | | 42" Snow Blower |
| | 0MK420 | | Mulching Kit W/Blades |



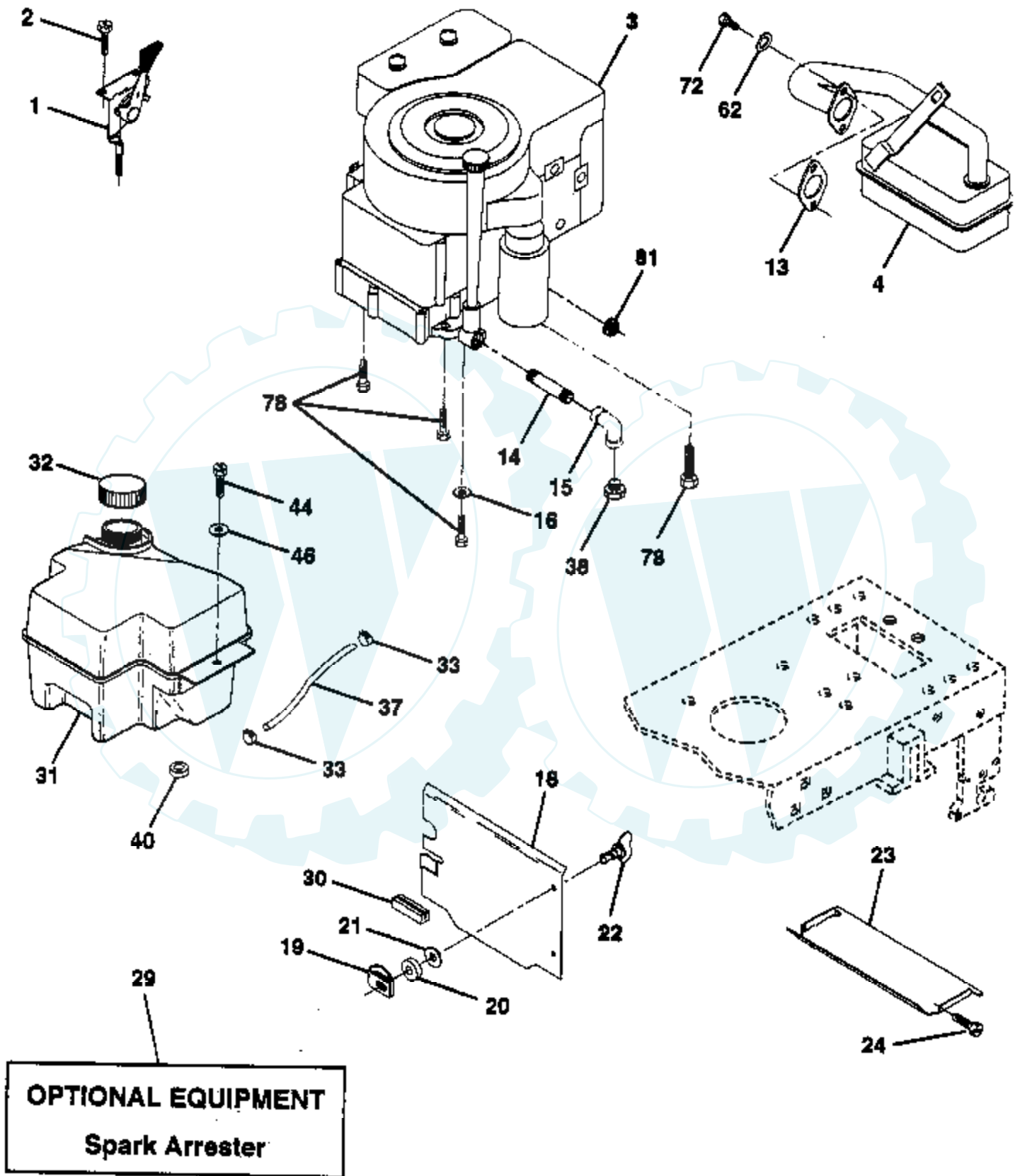


| Ref # | Part Number | Qty | Description |
|-------|-------------|-----|-----------------------------------|
| 1 | 532142603 | | Transaxle 6sp Model No. 4360-79 |
| 2 | 532146682 | | Spring Return Brake |
| 3 | 532123666 | | Pulley Transaxle 18" tires |
| 4 | 812000028 | | Ring Retainer # 5100-62 |
| 5 | 532121520 | | Strap Torque 30 Degrees |
| 6 | 817490512 | | Screw Thdrol 5/16-18 X 3/4 TYT |
| 8 | 532141003 | | Rod Shifter |
| 10 | 876020416 | | Pin Cotter 1/8 X 1 Cad |
| 11 | 532105701 | | Washer Plate Shf 388 Sq Hole |
| 12 | 819151216 | | Washer 9/32 X 3/4 X 10 Ga |
| 13 | 874550412 | | Bolt 1/4-28unf Gr8 w/Patch |
| 14 | 810040400 | | Washer Lock Hvy Helical 1/4 |
| 15 | 874780544 | | Bolt Fin Hex 5/16 - 18 UNC x 2.75 |
| 18 | 874780616 | | Bolt Fin Hex 3/8-16unc X 1 Gr. 5 |
| 19 | 873800600 | | Nut Hex Lock W/Ins 3/8-16 Unc |
| 21 | 532106933 | | Knob Duckhead 1/2-13 UNC |
| 22 | 532130804 | | Rod Brake Blk Zinc 27 326 |
| 24 | 873350600 | | Nut Hex Jam 3/8-16 Unc |
| 25 | 532106888 | | Spring Rod Brake 2 00 Zinc |
| 26 | 819131316 | | Washer 13/32 X 13/16 X 16 Ga |
| 27 | 876020412 | | Pin Cotter 1/8 X 3/4 Cad |
| 28 | 532145204 | | Rod Brake Parking LT/YT |
| 29 | 532071673 | | Cap Brake Parking Black |
| 30 | 532130807 | | Bracket Mtg Transaxle |
| 31 | 532127275 | | Keeper Belt LH LT 14 Ga |
| 32 | 874760512 | | Bolt Hex Hd 5/16-18unc X 3/4 |
| 34 | 532149001 | | Shaft Asm Pedal Foot |
| 35 | 532120183 | | Bearing Nylon Blk 629 Id |
| 36 | 819211616 | | Washer 21/32 X 1 X 16 Ga |
| 37 | 532124963 | | Pin Roll 3/16 X 1" |
| 38 | 532123674 | | Pulley Idler Flat |
| 39 | 874760644 | | Bolt Fin Hex 3/8-16unc X 2-3/4 |
| 40 | 532124965 | | Spacer Split 395 X 59 Bzp |
| 41 | 532109070 | | Keeper Belt Retainer |
| 42 | 819131312 | | Washer 13/32 X 13/16 X 12 Ga |
| 44 | 532105706 | | Bearing Nyl 503 X 628 X 1 25 |
| 45 | 532110812 | | Washer Hardened |
| 46 | 812000039 | | Ring Klip #5304-50 |
| 47 | 532127783 | | Pulley Idler V Groove Plastic |
| 48 | 532123789 | | Bellcrank Asm Clutch |
| 49 | 532123205 | | Retainer Belt Style Spring |
| 50 | 874760624 | | Bolt Hex Hd 3/8-16unc X 1-1/2 |
| 51 | 873680600 | | Nut Crownlock 3/8-16 Unc |
| 52 | 873680500 | | Nut Crownlock 5/16-18 UNC |
| 53 | 532105710 | | Link Clutch 7 66 |
| 55 | 532105709 | | Spring Return Clutch 6 75 |
| 56 | 874760620 | | Bolt Fin Hex 3/8-16 UNC x 1-1/4 |
| 57 | 532130801 | | V-Belt Ground Drive 95 25 42" |
| 58 | 532127274 | | Keeper Belt RH LT Pnt/zinc 16g |
| 59 | 532140312 | | Keeper Belt Chassis Span Ctr |
| 61 | 817490612 | | Screw Thdrol 3/8-16x3/4 Ty-tt |
| 62 | 532124872 | | Cover Pedal Blk Round |
| 63 | 532140186 | | Engine Pulley |
| 64 | 871170764 | | Bolt Hex 7/16-20x4 Gr 5 |
| 65 | 810040700 | | Washer Lock Hvy Hlcl Spr. 7/16 |
| 66 | 532129921 | | Keeper Belt Engine LH LT |
| 67 | 874760616 | | Bolt Fin Hex 3/8-16 UNC x 1 |
| 70 | 532134683 | | Guide Belt Mower Drive RH |

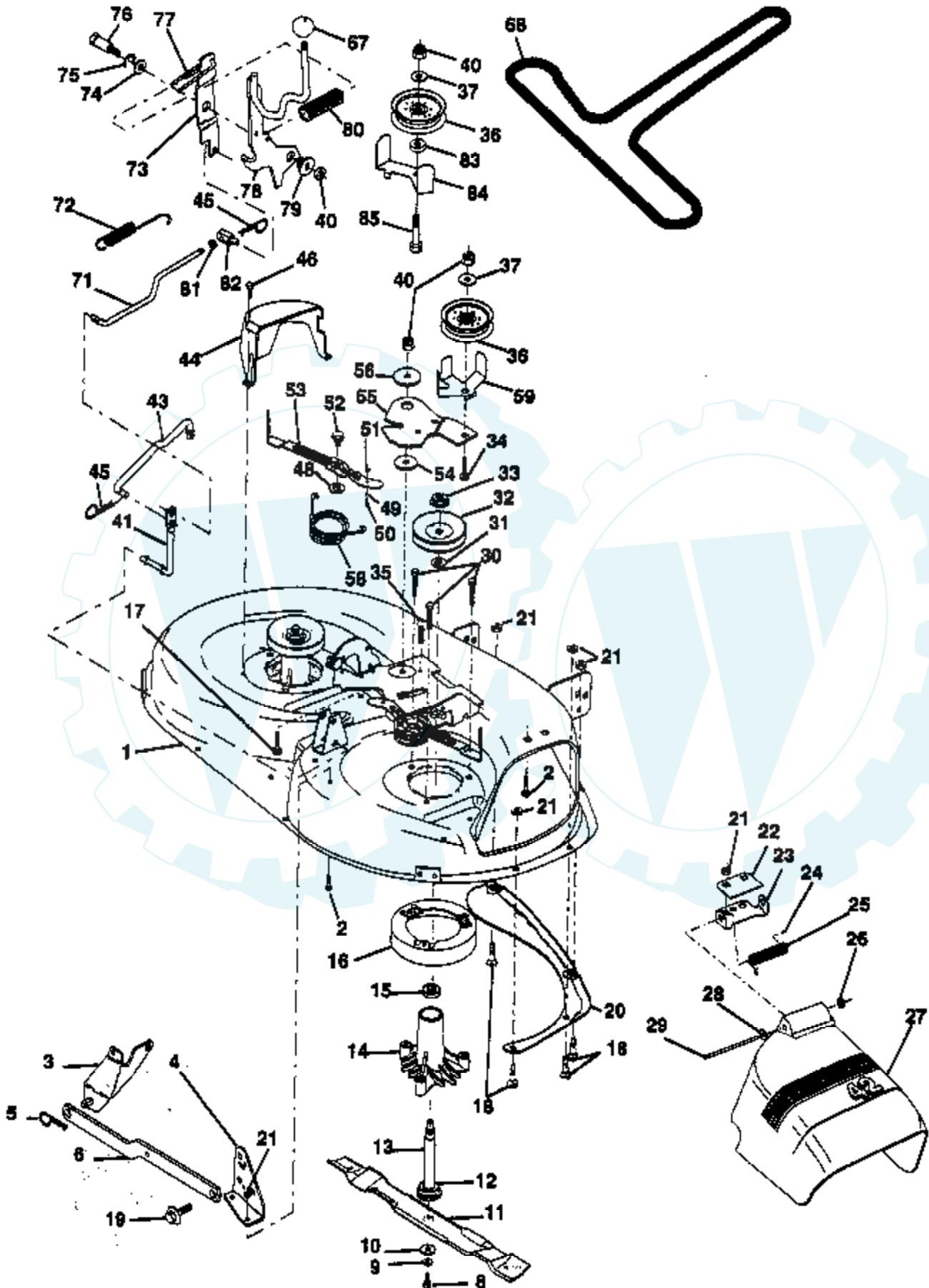
| Ref # | Part Number | Qty | Description |
|-------|-------------|-----|---------------------------------|
| 72 | 819132012 | | Washer 13/32 X 1-1/4 X 12 Ga |
| 74 | 532109502 | | Spacer Axle |
| 75 | 532121749 | | Washer 25/32 X 1 1/4 X 16 Ga. |
| 76 | 812000001 | | E-ring #5133-75 |
| 77 | 532123583 | | Key Square 2 0 X 1845/ 1865 |
| 78 | 532121748 | | Washer 25/32 X 1-5/8 X 16 Ga. |
| 80 | 532131488 | | Arm Shift Transaxle |
| 81 | 532136932 | | Shaft Asm. Cross 18" + 42" Deck |
| 82 | 532123782 | | Spring Torsion T/A |
| 83 | 819171216 | | Washer 17/32 x 3/4 x 16 Ga. |
| 84 | 532132182 | | Rod Shift Adj. Tie |
| 85 | 873530400 | | Nut Nylock 1/4-28 |
| 86 | 532071208 | | Bushing Rod Strg. 629/632 Id |
| 87 | 819212016 | | Washer 21/32 x 1 - 1/4 x 16 Ga. |
| 88 | 812000008 | | Ring Klip #5304 - 62 |
| 89 | 532139964 | | Console Shift 6 st LT |
| 90 | 532124346 | | Nut Self-thd Wsh-hd 1/4 Zinc |
| 100 | 819111216 | | Washer 11/32 x 3/4 x 16 Ga. |



| Ref # | Part Number | Qty | Description |
|-------|-------------|-----|---------------------------------|
| 1 | 532144925 | | Battery 12 Volt 25 AMP |
| 2 | 874760412 | | Bolt Hex Hd 1/4-20unc X 3/4 |
| 3 | 819091016 | | Washer 9/32 X 5/8 X 16 Ga. |
| 4 | 810040400 | | Washer Lock Hvy Helical 1/4 |
| 5 | 532121264 | | Caps Battery 20/25/30 AMP |
| 6 | 873220400 | | Nut Fin Hex 1/4-20 Unc |
| 7 | 532109238 | | Tube Plastic 12" |
| 8 | 532144940 | | Case Battery |
| 9 | 532109596 | | Clamp Hose Olive |
| 15 | 532144935 | | Screw Cap Hex Nylon 3/8-16 x 1 |
| 16 | 532145355 | | Nut, Nylon 3/8-16 |
| 19 | 810090400 | | Washer Lock 1/4 |
| 20 | 873350400 | | Nut Jam Hex 1/4-20 Unc |
| 21 | 532136850 | | Harness Asm Light W/4152j |
| 22 | 532004152 | | Bulb Light #1156 |
| 23 | 811150400 | | Washer Lock Internal Tooth 1/4 |
| 24 | 532124780 | | Cable Battery 6 Ga 11" red |
| 25 | 532146147 | | Cable Battery 6 Ga 44" red |
| 26 | 532108824 | | Fuse 30 AMP Auto Green |
| 28 | 532124773 | | Cable Ground 6 Ga 12" black |
| 29 | 532121305 | | Switch Plunger Nc Gray |
| 30 | 532140301 | | Switch Ign 4 pos w/lights |
| 31 | 532124211 | | Nut Ignition |
| 32 | 532141226 | | Cover Sw Ignition |
| 33 | 532122147 | | Key Ign Modledeed Generic |
| 35 | 532108236 | | Bracket Switch Clutch |
| 36 | 817021008 | | Screw Tap Hex #10-24unc X 1/2 |
| 38 | 532140336 | | Bracket, Switch, Interlock |
| 39 | 532109553 | | Switch Intlk Clutch Red 4 Term |
| 40 | 532146058 | | Harness Chassis LT PL Mech |
| 41 | 871110412 | | Bolt Blk Fin Hex 1/4 - 20 x 3/4 |
| 42 | 532131563 | | Cover Terminal Red |
| 43 | 532145673 | | Solenoid |
| 44 | 873510400 | | Nut Keps Hex 1/4-20 Unc |
| 45 | 532140844 | | Adapter Ammeter Rectangular |
| 46 | 532141940 | | Protection Wire Loop |
| 70 | 532141164 | | Harness, Eng. |

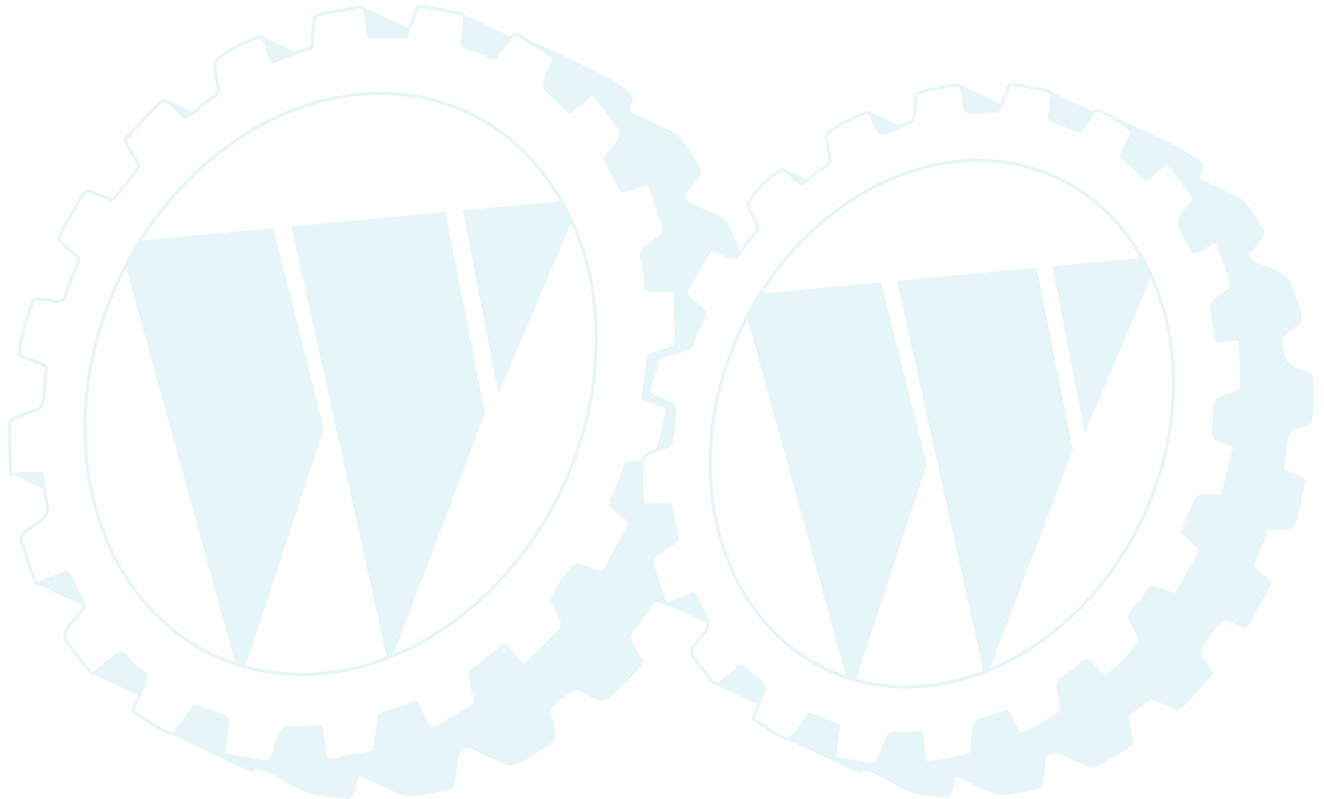


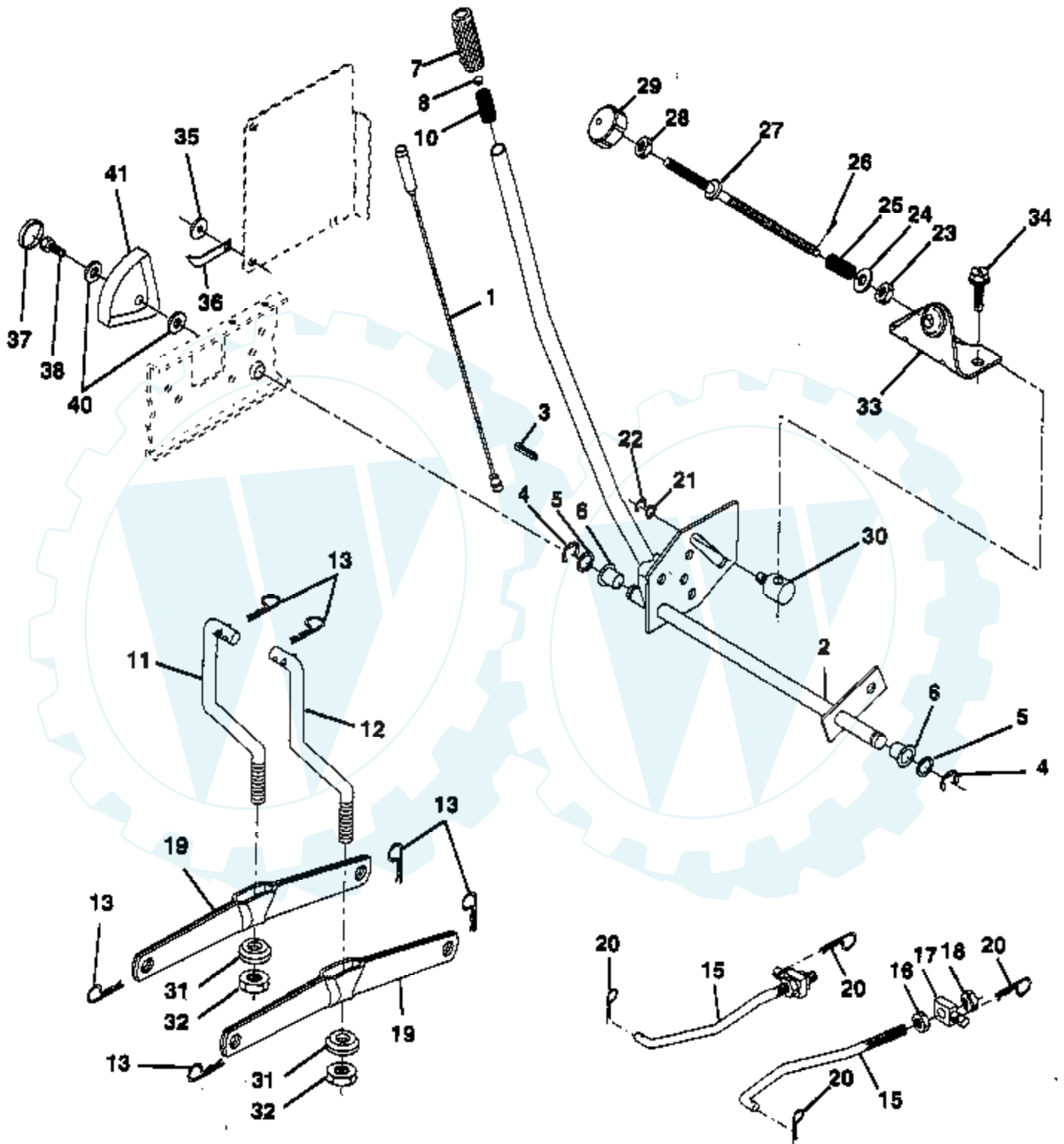
| Ref # | Part Number | Qty | Description |
|-------|-------------|-----|---------------------------------|
| 1 | 532140310 | | Control Th/ch 23 5 LH Flag |
| 2 | 817720410 | | Screw Hex Thd Cut 1/4-20x5/8 T |
| 4 | 532137352 | | Muffler Exh Lt B&S 14 HP IC OHV |
| 13 | 532125593 | | Gasket Eng 1 313 Id Tin Plated |
| 14 | 813280324 | | Nipple Pipe 3/8 Npt X 3" |
| 15 | 813200300 | | Elbow Std 90 Degree 3/8-18 Npt |
| 16 | 811050600 | | Washer Lock Ext Tooth 3/8 |
| 18 | 532136718 | | Shield Heat Lt |
| 19 | 532105839 | | Receptacle 1/4 turn |
| 20 | 532105838 | | Retainer 1/4 turn |
| 21 | 819091016 | | Washer 9/32 x 5/8 x 16 Ga. |
| 22 | 532123650 | | Stud 1/4 turn |
| 23 | 532128953 | | Shield Heat Browning LT/YT |
| 24 | 817021008 | | Screw Tap Hex #10-24unc X 1/2 |
| 29 | 532137180 | | Kit Spark Arrestor (Flat Scrn) |
| 30 | 532127057 | | Pinch Weld Hood Black |
| 31 | 532140280 | | Tank Fuel Front 2 00 |
| 32 | 532140527 | | Cap Asm Fuel W/sym Vented |
| 33 | 532123487 | | Clamp Hose Black |
| 37 | 532137040 | | Line Fuel 20" |
| 40 | 532124028 | | Bushing Snap Nyl Blk Fuel Line |
| 44 | 817490412 | | Screw Hexwsh Thdrol 1/4-20x3/4 |
| 46 | 819091416 | | Washer 9/32 X 7/8 X 16 Ga |
| 62 | 810040500 | | Washer Lock Hvy Hlcl Spr 5/16 |
| 72 | 871070512 | | Screw Hexhd Cap 5/16-18x 3/4 |
| 78 | 817490620 | | Screw Thdrol 3/8-16x1-1/4 TYTT |
| 81 | 873510400 | | Nut Keps Hex 1/4-20 UNC |



| Ref # | Part Number | Qty | Description |
|-------|-------------|-----|--------------------------------|
| 1 | 532144393 | | Deck Asm MWR 42"weldment |
| 2 | 872140506 | | Bolt Rdhd Sqnk 5/16-18unc X3/4 |
| 3 | 532138017 | | Bracket Asm Fr Sway Bar 38/42 |
| 4 | 532138440 | | Bracket Asm Deck 42"sway Bar |
| 5 | 532124670 | | Retainer Spring |
| 6 | 532130832 | | Arm Suspension Rear |
| 8 | 532850857 | | Bolt 3/8 - 24 X 1.25 Gr 8 |
| 9 | 810030600 | | Washer Lock Hvy 3/8 |
| 10 | 532140296 | | Washer Hard Blade Mower Vented |
| 11 | 532134149 | | Blade Mower Mulching 42" |
| 12 | 532129895 | | Bearing Ball #6024 (Mandrel) |
| 13 | 532137645 | | Shaft Asm W/lower Bearing |
| 14 | 532128774 | | Housing Mandrel Vented |
| 15 | 532110485 | | Bearing Ball Mandrel |
| 16 | 532140329 | | Stripper Mower Vented |
| 17 | 872110610 | | Bolt Rdhd Sqnk 3/8-16 X 1-1/4 |
| 18 | 872140505 | | Bolt Rdhd Sqnk 5/16-18 X 5/8 |
| 19 | 532132827 | | Bolt Shoulder |
| 20 | 532136888 | | Baffle Vortex 42 |
| 21 | 873680500 | | Nut Crownlock 5/16-18 UNC |
| 22 | 532134753 | | Stiffener Bracket 42"deck |
| 23 | 532131267 | | Bracket Deflector Mower 42" |
| 24 | 532105304 | | Cap Sleeve 80x 112 Blk Mower |
| 25 | 532123713 | | Spring Torsion Deflector 2 52 |
| 26 | 532110452 | | Nut Push Phos & Oil |
| 27 | 532130968 | | Shield Deflector Mower 42" Blk |
| 28 | 819111016 | | Washer 11/32 X 5/8 X 16 Ga |
| 29 | 532131491 | | Rod Hinge 42"6 75 Wlg |
| 30 | 532138776 | | Screw Thdrol Hex Head Zinc Mwr |
| 31 | 532129963 | | Washer Spacer Mower Vented |
| 32 | 532129861 | | Pulley Mandrel 42" |
| 33 | 532137266 | | Nut 9/16 Toplock Flng Oil Dip |
| 34 | 872110614 | | Bolt Rdhd 3/8-16uncx1-3/4 Gr5 |
| 35 | 532133835 | | Fastner Christmas Tree |
| 36 | 532131494 | | Pulley Idler Flat 3 060 |
| 37 | 819131316 | | Washer 13/32 X 13/16 X 16 |
| 40 | 873680600 | | Nut Crownlock 3/8-16 Unc |
| 41 | 532133551 | | Rod Pivot W/nibs |
| 43 | 532140083 | | Rod Clutch Secondary W/nibs |
| 44 | 532140088 | | Guard Mandrel LH Black |
| 45 | 532124788 | | Spring Retainer 1" Zinc/cad |
| 46 | 532137729 | | Screw Hex Thd Cut 1/4-20x5/8 T |
| 48 | 532133944 | | Washer Hardened Smaller |
| 49 | 532133940 | | Roller Asm Cam Follower 42"dec |
| 50 | 532131340 | | Bolt Shldr 10-24 Zinc Gr 5 42" |
| 51 | 532069180 | | Nut Lock #10-24 Unc |
| 52 | 532139888 | | Bolt Shoulder 5/16-18 Unc Blkz |
| 53 | 532131845 | | Arm Asm Pad Brake |
| 54 | 532133943 | | Washer Hardened |
| 55 | 532140084 | | Arm Idler 42"mower LT/YT |
| 56 | 532122052 | | Spacer Retainer Pm Mower |
| 58 | 532140086 | | Spring Torsion Brakes |
| 59 | 532141043 | | Guard TUV Idler |
| 67 | 532106933 | | Knob Rd 1/2-13 Plstc Thds Blk |
| 68 | 532144200 | | V-Belt Mower 42" |
| 71 | 532142427 | | Rod Clutch Primary 38/42 |
| 72 | 532131870 | | Spring Return |
| 73 | 532127847 | | Arm Clutch Secondary |

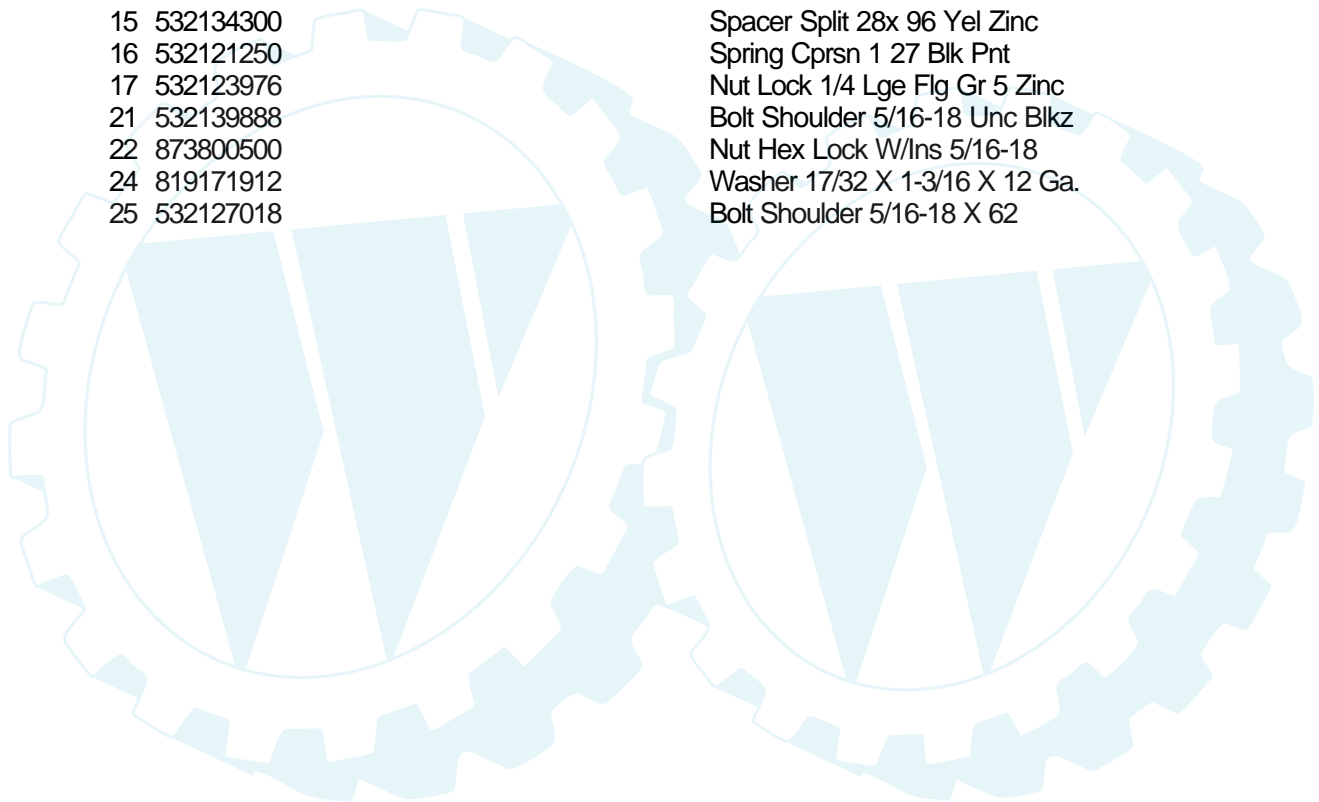
| Ref # | Part Number | Qty | Description |
|-------|-------------|-----|---|
| 74 | 532121748 | | Washer 25/32 X 1-5/8 X 16 Ga |
| 75 | 812000029 | | Ring Klip #t5304-75 |
| 76 | 532128903 | | Bolt Shoulder 3/8-16 Unc 1 44 |
| 77 | 532127845 | | Keeper Spring 4 000 |
| 78 | 532140179 | | Arm Asm Clutch Primary |
| 79 | 532127498 | | Bushing 747 Od X 794 Lg Brass |
| 80 | 532128759 | | Spring Clutch Mower 2 750 Zinc |
| 81 | 873350600 | | Nut Hex Jam 3/8-16 |
| 82 | 532142028 | | Trunnion Adj 94 |
| 83 | 532120958 | | Washer Sintered |
| 84 | 532144394 | | Keeper Belt Idler Fixed |
| 85 | 872140620 | | Bolt Rdhd Sqnk 3/8-16 x 2-1/2 Gr.5 |
| | 532130794 | | Mandrel Asm (Inc. 8-10, 12-15, 31 & 33) |
| | 532145411 | | Deck Serv 42" MB Mech T-Path |



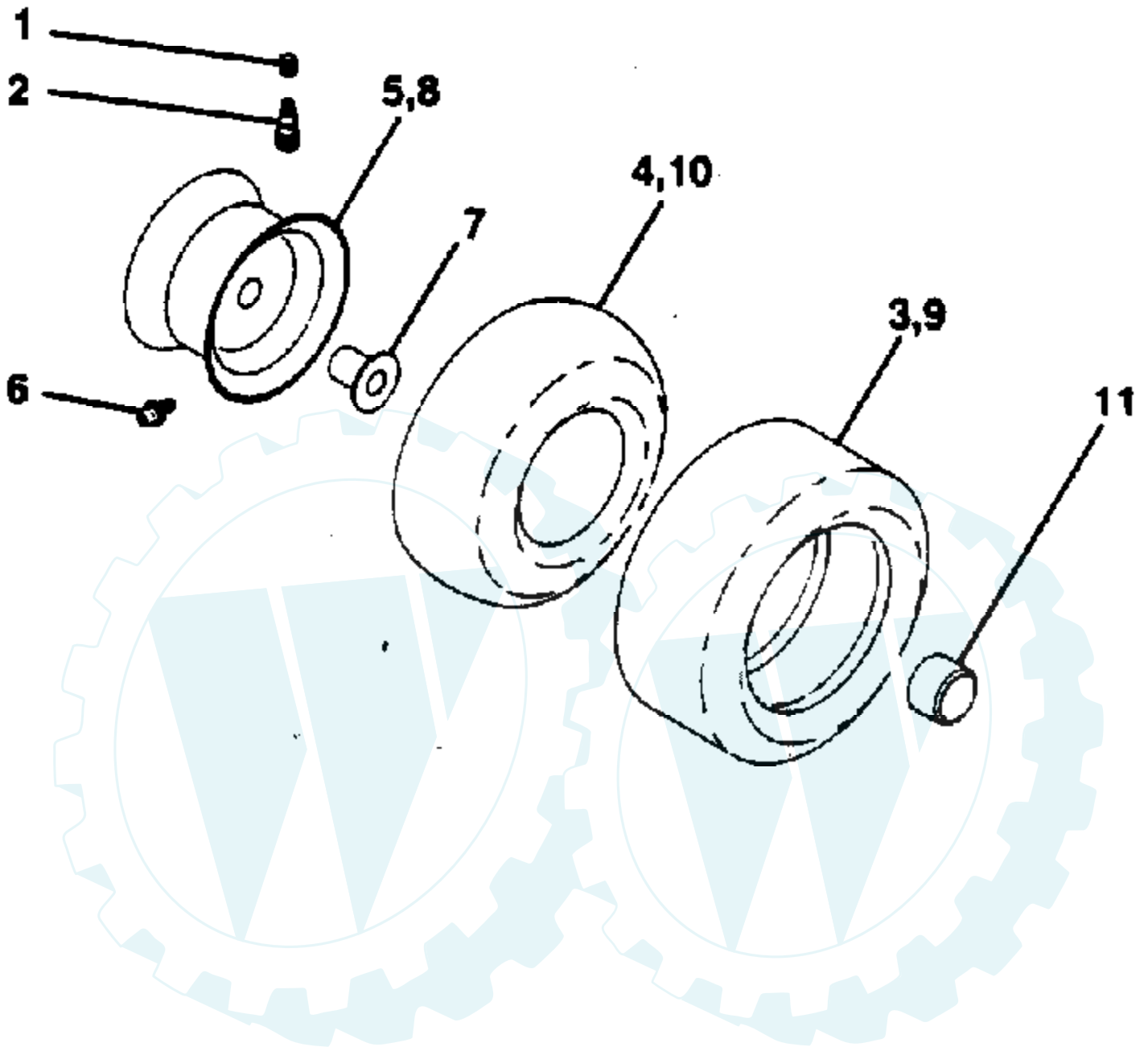


| Ref # | Part Number | Qty | Description |
|-------|-------------|-----|------------------------------------|
| 1 | 532136973 | | Wire Asm Inner W/plunger 17 32 |
| 2 | 532140278 | | Shaft Asm Lift |
| 3 | 532138284 | | Pin Groove |
| 4 | 812000002 | | E Ring #5133-62 |
| 5 | 819211621 | | Washer PLTD 21/32 X 1 X 21 ga |
| 6 | 532120183 | | Bearing Nylon Blk 629 Id |
| 7 | 532109413 | | Grip Handle Bicycle Matte Blk |
| 8 | 532124526 | | Button Plunger Black |
| 10 | 532122512 | | Spring Cprsn 3 750 Oiled |
| 11 | 532139865 | | Link Lift LH |
| 12 | 532139866 | | Link Lift RH |
| 13 | 532124670 | | Retainer Spring |
| 15 | 532127218 | | Link Front |
| 16 | 873350800 | | Nut Jam Hex 1/2-13 Unc |
| 17 | 532130171 | | Trunnion Blk Zinc |
| 18 | 873800800 | | Nut Lock W/wsh 1/2-13unc |
| 19 | 532139868 | | Arm Suspension Rear |
| 20 | 532124660 | | Spring, Retainer |
| 21 | 819151216 | | Washer 15/32 x 3/4 x 16 Ga. |
| 22 | 812000037 | | Ring Klip #T534037 |
| 23 | 532110807 | | Nut Special |
| 24 | 819131016 | | Washer 13/32 x 5/8 x 16 Ga. |
| 25 | 532124874 | | Spring 2-1/8" |
| 26 | 876020308 | | Pin cotter 3/32 x 1/2 |
| 27 | 532126971 | | Rod adj Lifte zino 7.49 work lg. |
| 28 | 873350600 | | Nut Hex Jam 3/8 - 16 Unc. |
| 29 | 532138057 | | Knob info 3/8 - 16 Unc. Blk w/sym |
| 30 | 532110810 | | Turnnion dp. stop dbl thds plt. |
| 31 | 532140302 | | Bearing Pvt. Lift Spherical |
| 32 | 873540600 | | Nut Crownlock 3/8-24 |
| 33 | 532140168 | | Bracket Stop inf. Hgt. |
| 34 | 817490608 | | Screw thdrol 3/8 - 16 x 1/2 Ty. TT |
| 35 | 532120529 | | Washer Nylon .44 x .75 x .032 |
| 36 | 532138346 | | Pointer Pnt Height Ind 505 |
| 37 | 532123935 | | Plug Hole Blk 1.485/1.515 Dia. |
| 38 | 817490512 | | Screw Thdrol 5/16-18 x 3/4 |
| 40 | 819112410 | | Washer 11/32 x 1-1/2 x 10 Ga. |
| 41 | 532123934 | | Scale Ind Height Blk |

| Ref # | Part Number | Qty | Description |
|-------|-------------|-----|----------------------------------|
| 1 | 532127428 | | Seat V450 Blk/blk Std |
| 2 | 532140551 | | Bracket Pivot Seat 8 720 |
| 3 | 874760616 | | Bolt Fin Hex 3/8-16unc X 1 |
| 4 | 819131610 | | Washer 13/32 X 1 X 10 Ga |
| 5 | 532145006 | | Clip Push-In |
| 6 | 873800600 | | Nut Lock Hex w/Insert 3/8-16 Unc |
| 7 | 532124181 | | Spring Seat Cprsn 2 250 Blk Zi |
| 8 | 817490616 | | Screw Thdrol 3/8-16 X 1 Ty-tt |
| 9 | 819131614 | | Washer 13/32 X 1 X 14 Ga. |
| 10 | 532140552 | | Pan Seat |
| 11 | 532120068 | | Knob Seat 1/2 - 13 Unc Blk |
| 12 | 532121246 | | Bracket Mounting Switch |
| 13 | 532121248 | | Bushing Snap Blk Nyl 50 Id |
| 14 | 872050411 | | Bolt Rdhd Sht Nk 1/4-20x1-3/8 |
| 15 | 532134300 | | Spacer Split 28x 96 Yel Zinc |
| 16 | 532121250 | | Spring Cprsn 1 27 Blk Pnt |
| 17 | 532123976 | | Nut Lock 1/4 Lge Flg Gr 5 Zinc |
| 21 | 532139888 | | Bolt Shoulder 5/16-18 Unc Blkz |
| 22 | 873800500 | | Nut Hex Lock W/Ins 5/16-18 |
| 24 | 819171912 | | Washer 17/32 X 1-3/16 X 12 Ga. |
| 25 | 532127018 | | Bolt Shoulder 5/16-18 X 62 |



| Ref # | Part Number | Qty | Description |
|-------|-------------|-----|-----------------------------------|
| 1 | 532121472 | | Wheel Steering Auto Blk |
| 2 | 532142033 | | Axle Asm Fr LT W/gzks 38/42 |
| 3 | 532135227 | | Spindle Asm LH |
| 4 | 532135228 | | Spindle Asm RH |
| 5 | 532124931 | | Bearing Race Thrust Harden |
| 6 | 532121748 | | Washer 25/32 X 1-5/8 X 16 Ga |
| 7 | 819272016 | | Washer 27/32 X 1-1/4 X 16 Ga |
| 8 | 812000029 | | Ring Klip #t5304-75 |
| 9 | 532124937 | | Bearing Col Strg Blk |
| 10 | 532130468 | | Link Drag Sol Ball Jt 20 064 |
| 11 | 810040600 | | Washer Lock Hvy Hlcl Spr 3/8 |
| 12 | 873610600 | | Nut Fin Hex 3/8-24 Unf |
| 13 | 532110438 | | Spacer Bearing Axle Front |
| 14 | 874011056 | | Bolt Hex 5/8-11 Unc X 3-1/2 |
| 15 | 873901000 | | Nut Lock Flange 5/8-11 Unc |
| 16 | 532132624 | | Pin Axle 5/8 X 1 55/1 54 Lg |
| 17 | 532140176 | | Shaft Asm Strg Private Label |
| 18 | 532057079 | | Washer Thrust 515x 750x 033 |
| 19 | 532124035 | | Support Shaft |
| 20 | 532126684 | | Washer Shim 1/4 X 5/8 X 062 |
| 21 | 810040400 | | Washer Lock Hvy Helical 1/4 |
| 22 | 871070410 | | Screw Hex Socket 1/4-20 X 5/8 |
| 23 | 532127501 | | Shaft Asm Pittman |
| 24 | 532109816 | | Nyliner Snap In |
| 25 | 532124036 | | Bracket Steering |
| 26 | 543126847 | | Bushing Link Drag Blk LR |
| 27 | 532136874 | | Gear Sector |
| 28 | 819131416 | | Washer 13/32 X 7/8 X 16 Ga |
| 29 | 817490612 | | Screw Thdrol 3/8-16x3/4 Ty-tt |
| 30 | 876020412 | | Pin Cotter 1/8 X 3/4 Cad |
| 32 | 532130465 | | Rod Tie Wire Form 19 75 Mech |
| 36 | 532102803 | | Bushing Strg |
| 37 | 817431008 | | Screw Slftp #10-16 X 1/2 Ty-b |
| 38 | 532126805 | | Insert Cap Strg Wh Au |
| 39 | 819133808 | | Washer 13/32 X 2-3/8 X 8 Ga |
| 40 | 532124701 | | Nut Lock Center 3/8-24unf |
| 41 | 532104820 | | Adaptor Wheel Strg 640/ 635id |
| 42 | 532140216 | | Boot Steering Shaft |
| 43 | 532121749 | | Washer 25/32 X 1 1/4 X 16 Ga |
| 44 | 532140171 | | Shaft Extention Steering |
| 46 | 532121232 | | Cap Spindle Fr Top Blk |
| 47 | 532124836 | | Fitting Grease |
| 50 | 817490412 | | Screw Hex Wsh Thdrol 1/4-20 x 3/4 |
| 51 | 873800500 | | Nut Lock Hex w/Ins 5/16-18 |
| 54 | 874780520 | | Bolt Fin Hex 5/16-18 Unc x 1-1/4 |
| 55 | 532140285 | | Clip Tinnerman |
| 57 | 532140172 | | Support Shaft Steering |



| Ref # | Part Number | Qty | Description |
|-------|-------------|-----|-----------------------------------|
| 1 | 532059192 | | Cap Valve Tire |
| 2 | 532065139 | | Stem Valve |
| 3 | 532106222 | | Tire F Ts 15 X 6 0 - 6 Service |
| 4 | 532059904 | | Tube Front (Service Item Only) |
| 5 | 532138336 | | Rim Asm 6"front Silver Service |
| 6 | 532124957 | | Fitting Grease (Front Wheel Only) |
| 7 | 532124959 | | Bearing Flange (Front Wheel Only) |
| 8 | 532138337 | | Rim Asm 8"rear Silver Service |
| 9 | 532106268 | | Tire R Ts 18x9 5-8 C Service |
| 10 | 532124926 | | Tube Rear (Service Item Only) |
| 11 | 532104757 | | Cap Axle Blk 1 50 X 1 00 |
| | 144334 | | Sealant, Tire (10 oz. Tube) |

