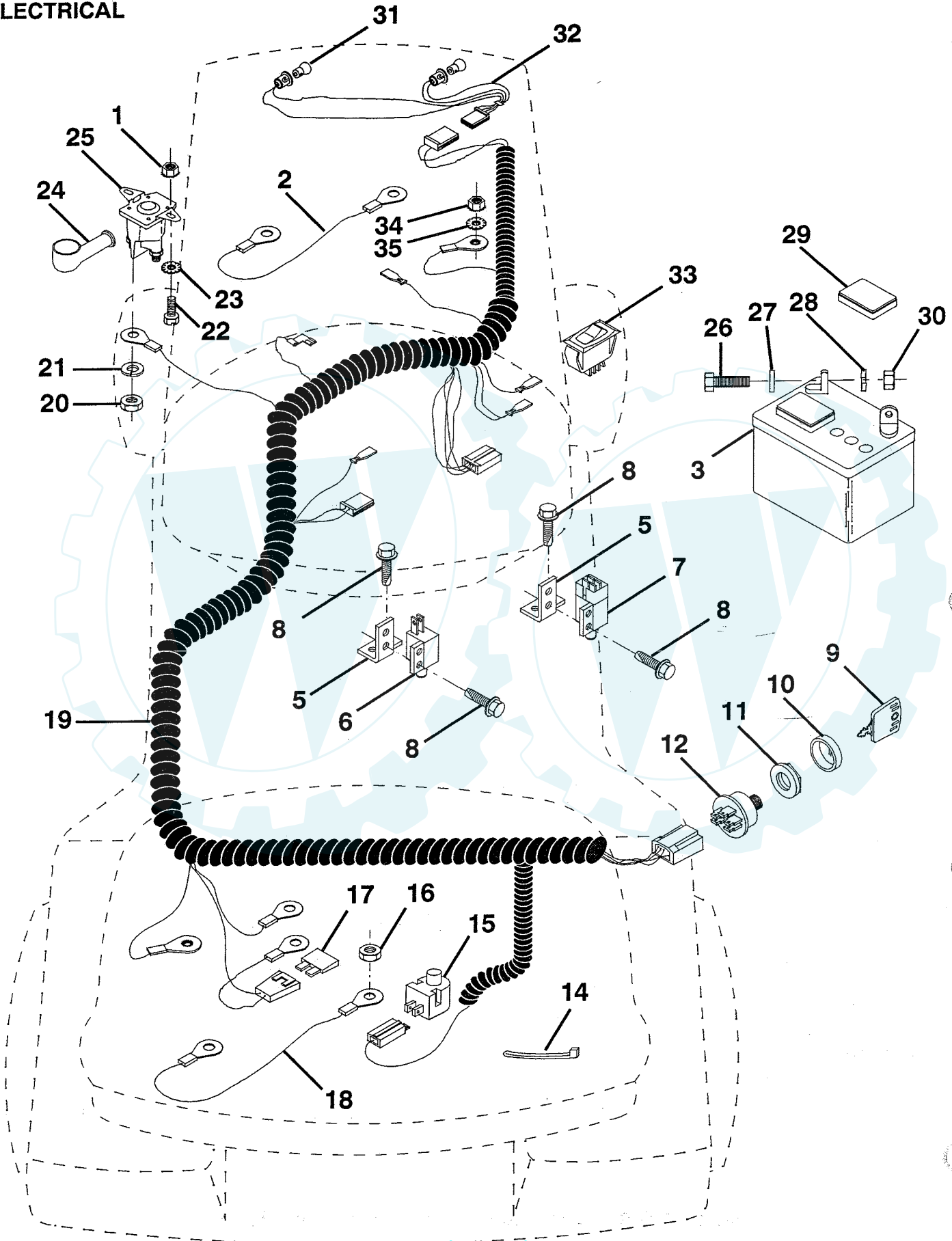


# REPAIR PARTS

## 12 HP 38" TRACTOR - - MODEL NUMBER PP12R38M

### ELECTRICAL



# REPAIR PARTS

[www.ersatzteil-service.de](http://www.ersatzteil-service.de)

## 12 HP 38" TRACTOR - - MODEL NUMBER PP12R38M

### ELECTRICAL

KEY PART NO.	NO.	DESCRIPTION
1	873510400	Nut, Hex, Keps 1/4-20 UNC
2	532108423	Assembly, Cable
3	532121310	Battery
5	532108236	Bracket, Switch
6	532104445	Switch, Interlock
7	532109553	Switch, Interlock
8	817021008	Screw, Hex Head, Tapping #10-24 x 1/2
9	532122147	Key, Molded
10	532123620	Cover, Key, Ignition
11	532124211	Nut, Ignition
12	532125104	Switch, Ignition
14	532124756	Tie, Cable
15	532121305	Switch, Plunger
16	873510500	Nut, Keps 5/16-18
17	532108824	Fuse
18	532128353	Assembly, Cable
19	532132222	Harness, Ignition
20	873350400	Nut, Hex, Jam 1/4-20
21	810090400	Washer, Lock 1/4
22	874780408	Bolt, Hex 1/4-20 x 12 Grade 5
23	811050400	Washer, Lock, External Tooth 1/4
24	532131563	Cover, Terminal
25	532109081	Solenoid
26	874760412	Bolt, Hex Head 1/4-20 UNC x 3/4
27	819091016	Washer 9/32 x 5/8 x 16 Gauge
28	810040400	Washer, Lock, Heavy Helical Spring 1/4
29	532121264	Cap, Battery
30	873220400	Nut, Hex, Fin 1/4-20
31	532124893	Bulb
32	532127441	Harness, Light Socket
33	532110712	Switch, Light
34	873510600	Nut, Hex, Keps 3/8-16
35	811050600	Washer, Lock, External Tooth 3/8

**NOTE:** All component dimensions given in U.S. inches  
1 inch = 25.4 mm

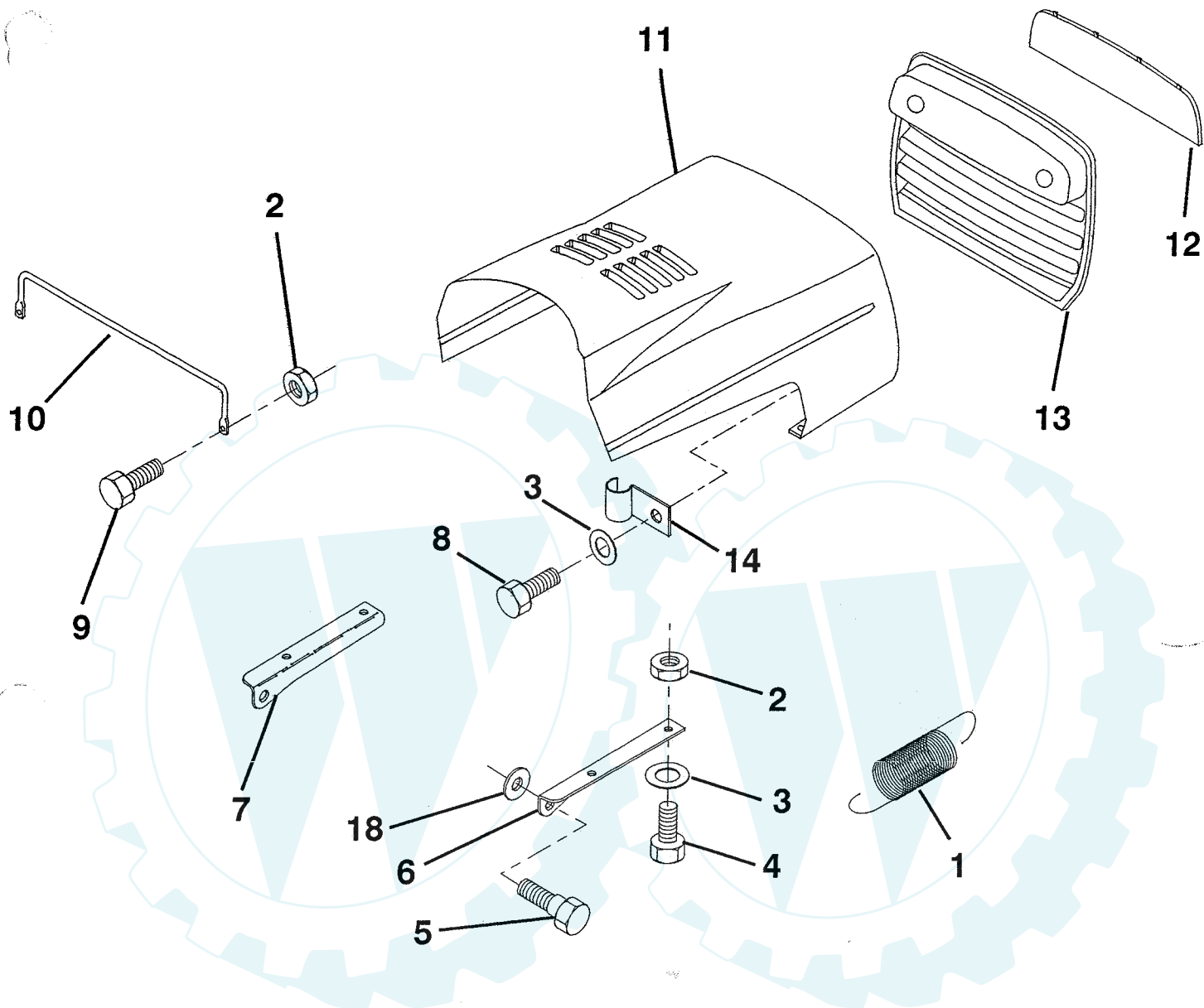
HARDWARE SHOWN LARGER FOR EASIER IDENTIFICATION

# REPAIR PARTS

[www.ersatzteil-service.de](http://www.ersatzteil-service.de)

## 12 HP 38" TRACTOR - - MODEL NUMBER PP12R38M

### HOOD



#### KEY PART NO. NO.

KEY PART NO. NO.	DESCRIPTION
1 532124657	Spring, Extension
2 873510400	Nut, Hex, Keps 1/4-20 UNC
3 819091016	Washer 9/32 x 5/8 x 16 Gauge
4 874780410	Bolt, Hex, Fin 1/4-20 UNC x 5/8 Grade 5
5 532126675	Bolt, Shoulder
6 532122549	Bracket, Hood, RH
7 532122548	Bracket, Hood, LH
8 817411310	Screw, Hex, Fin #13-16 Hi-Lo x 5/8

#### KEY PART NO. NO.

KEY PART NO. NO.	DESCRIPTION
9 874780412	Bolt, Hex, Fin 1/4-20 x 3/4 Grade 5
10 532123693	Brace, Hood
11 532125386	Hood
12 532122035	Lens
13 532127029	Grill
14 532124996	Clip, Fuel
18 819111116	Washer 11/32 x 11/16 x 16 Gauge

**NOTE:** All component dimensions given in U.S. inches  
1 inch = 25.4 mm

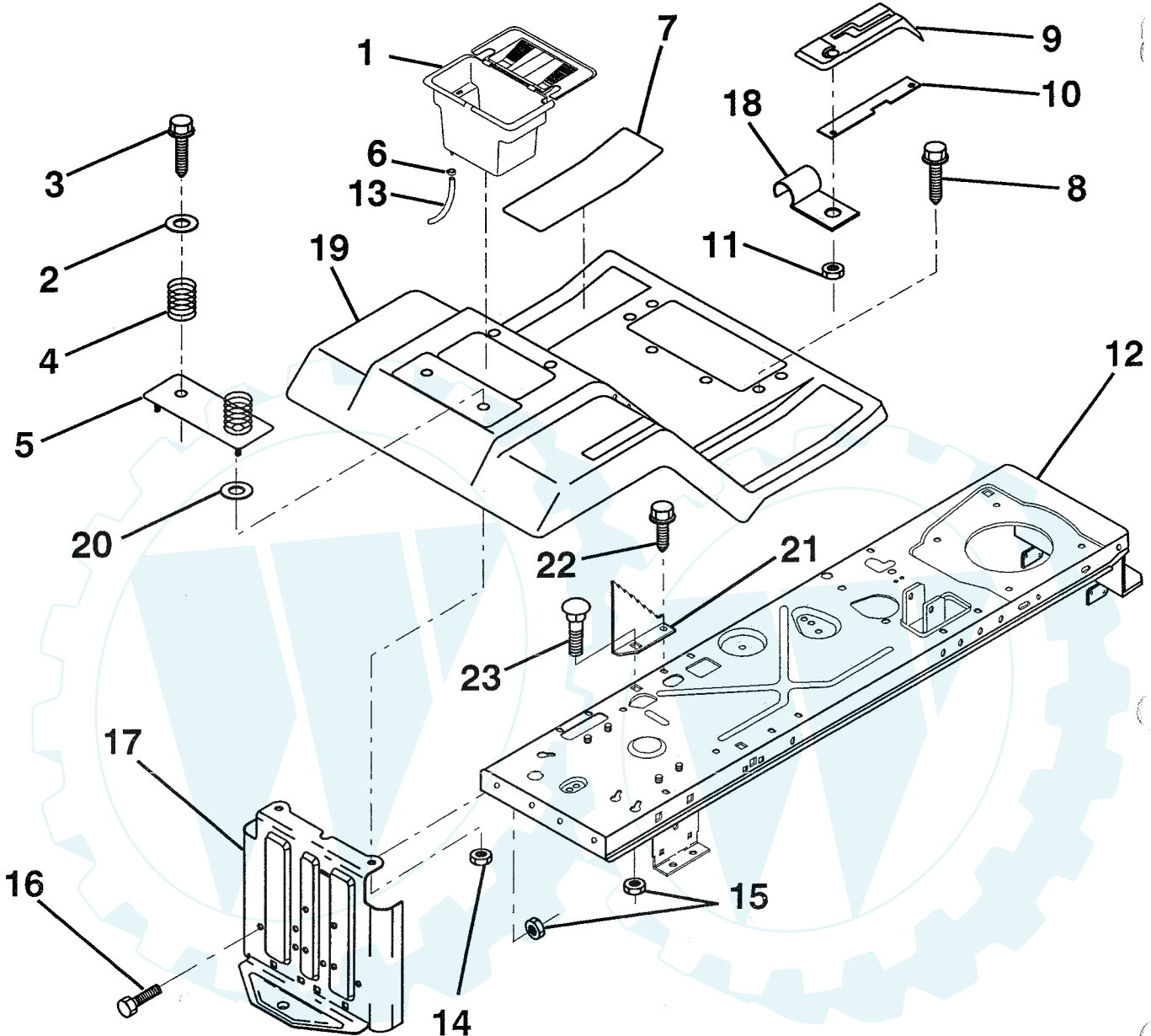
HARDWARE SHOWN LARGER FOR EASIER IDENTIFICATION

Der Ersatzteilspezialist im Internet.

# REPAIR PARTS

12 HP 38" TRACTOR -- MODEL NUMBER PP12R38M

## FENDER / CHASSIS



KEY PART NO.	NO.	DESCRIPTION
1	532129965	Case, Battery
2	819132012	Washer 13/32 x 1-1/4 x 12 Gauge
3	817490612	Screw, Hex Washer Head, Thd. Roll. 3/8-16 x 3/4
4	532124181	Spring, Compression, Seat
5	532125139	Plate, Fender
6	532109596	Clamp, Hose
7	532134214	Pad, Footrest
8	817490512	Screw, Hex Washer Head, Thd. Roll. 5/16-18 x 3/4
9	532126995	Console, Shift Control
10	532124307	Bar, Shift Lock
11	532124346	Nut, Self-Threading 3/16
12	532133384	Assembly, Frame

KEY PART NO.	NO.	DESCRIPTION
13	532105687	Tube, Battery Drain
14	873510400	Nut, Hex, Keps 1/4-20
15	873680500	Nut, Crownlock 5/16-18
16	874760512	Bolt, Hex 5/16-18 UNC x 3/4
17	532127880	Drawbar
18	532126470	Clip, Insulated
19	532125394	Fender/Footrest
20	819091413	Washer 9/32 x 7/8 x 13 Gauge
21	532132562	Plate, Depth Stop
22	817490508	Screw, Thd. Roll. 5/16-18 x 1/2
23	872110506	Bolt, Carriage 5/16-18 x 3/4

NOTE: All component dimensions given in U.S. inches  
1 inch = 25.4 mm

HARDWARE SHOWN LARGER FOR EASIER IDENTIFICATION

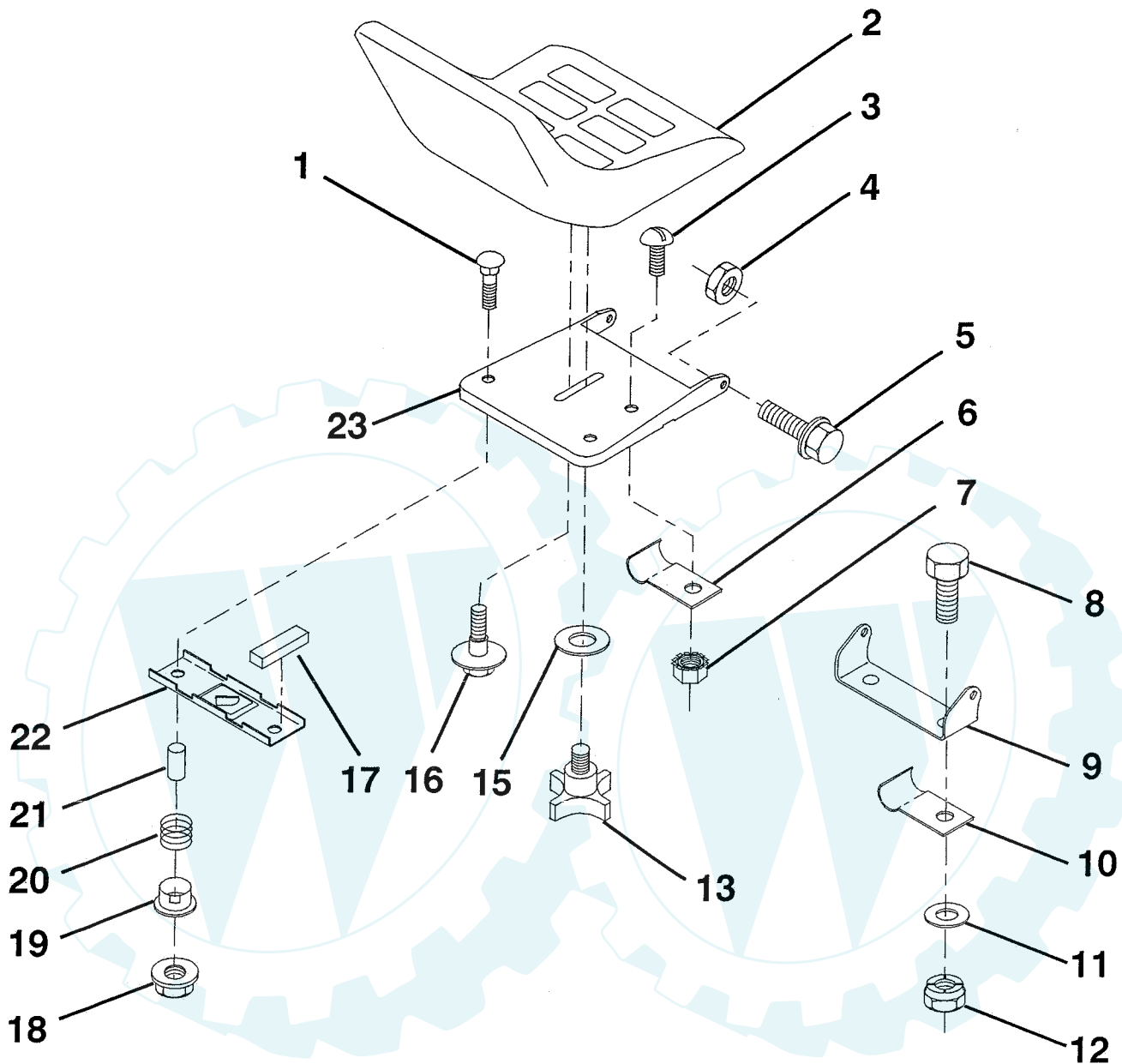
Der Ersatzteilspezialist im Internet.

# REPAIR PARTS

[www.ersatzteil-service.de](http://www.ersatzteil-service.de)

## 12 HP 38" TRACTOR -- MODEL NUMBER PP12R38M

### SEAT



#### KEY PART NO. NO.

#### DESCRIPTION

1	872050411	Bolt, Carriage 1/4-20 x 1-3/8
2	532127424	Seat
3	874641008	Screw, Slotted Pan Head #10-32 x 1/2
4	873680500	Nut, Crownlock 5/16-18
5	532105529	Bolt, Shoulder 5/16-18 UNC
6	532124967	Clip, Insulated
7	873951000	Nut, Keps #10-32 UNF
8	874760612	Bolt, Hex, Fin 3/8-16 UNC x 3/4
9	532126656	Bracket, Pivot, Seat
10	532126471	Clip, Insulated
11	819331210	Washer 13/32 x 2 x 10 Gauge
12	873680600	Nut, Crownlock 3/8-16 UNC

#### KEY PART NO. NO.

#### DESCRIPTION

13	532120068	Bolt, Hex, Fin 1/2-13 UNC x 1
15	819171912	Washer 17/32 x 1-3/16 x 12 Gauge
16	532127018	Bolt, Shoulder
17	532121251	Strip, Foam
18	532123976	Locknut, Hex, Large, Flange
19	532121248	Bushing, Snap
20	532121250	Spring, Compression
21	532121249	Spacer, Split, Large .28 Id. x .88
22	532121246	Bracket, Switch, Mounting
23	532131451	Pan, Seat

**NOTE:** All component dimensions given in U.S. inches  
1 inch = 25.4 mm

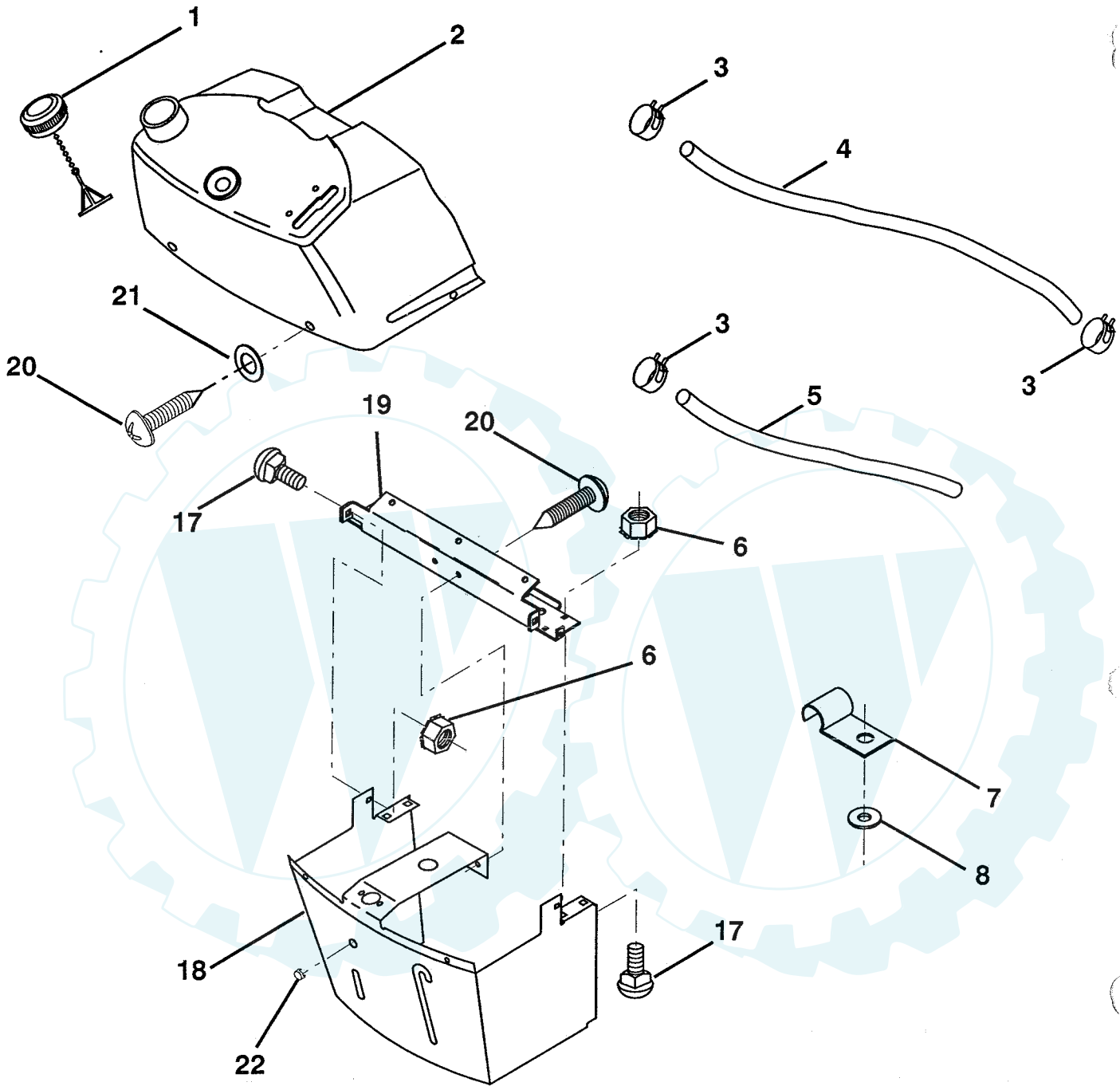
HARDWARE SHOWN LARGER FOR EASIER IDENTIFICATION

Der Ersatzteilspzialist im Internet.

# REPAIR PARTS

## 12 HP 38" TRACTOR - - MODEL NUMBER PP12R38M

### DASHBOARD



**KEY PART  
NO. NO.**

**DESCRIPTION**

1	532122015	Cap, Fuel
2	532130914	Assembly, Dash & Fuel Tank
3	532123487	Clamp, Hose
4	532008544	Line, Fuel
5	532008548	Line, Fuel
6	873510400	Nut, Hex, Keps 1/4-20
7	532124996	Clip, Fuel Line
8	819091216	Washer 9/32 x 3/4 x 16 Gauge

**KEY PART  
NO. NO.**

**DESCRIPTION**

17	872110404	Bolt, Carriage 1/4-20 x 1/2 Grade 5
18	532131886	Support Assembly, Dash
19	532134744	Brace, Cross
20	818000408	Screw, Self-Tapping 1/4-20 x 1/2
21	819090816	Washer 9/32 x 1/2 x 16 Gauge
22	532134014	Plug, Dome

**NOTE:** All component dimensions given in U.S. inches  
1 inch = 25.4 mm

HARDWARE SHOWN LARGER FOR EASIER IDENTIFICATION

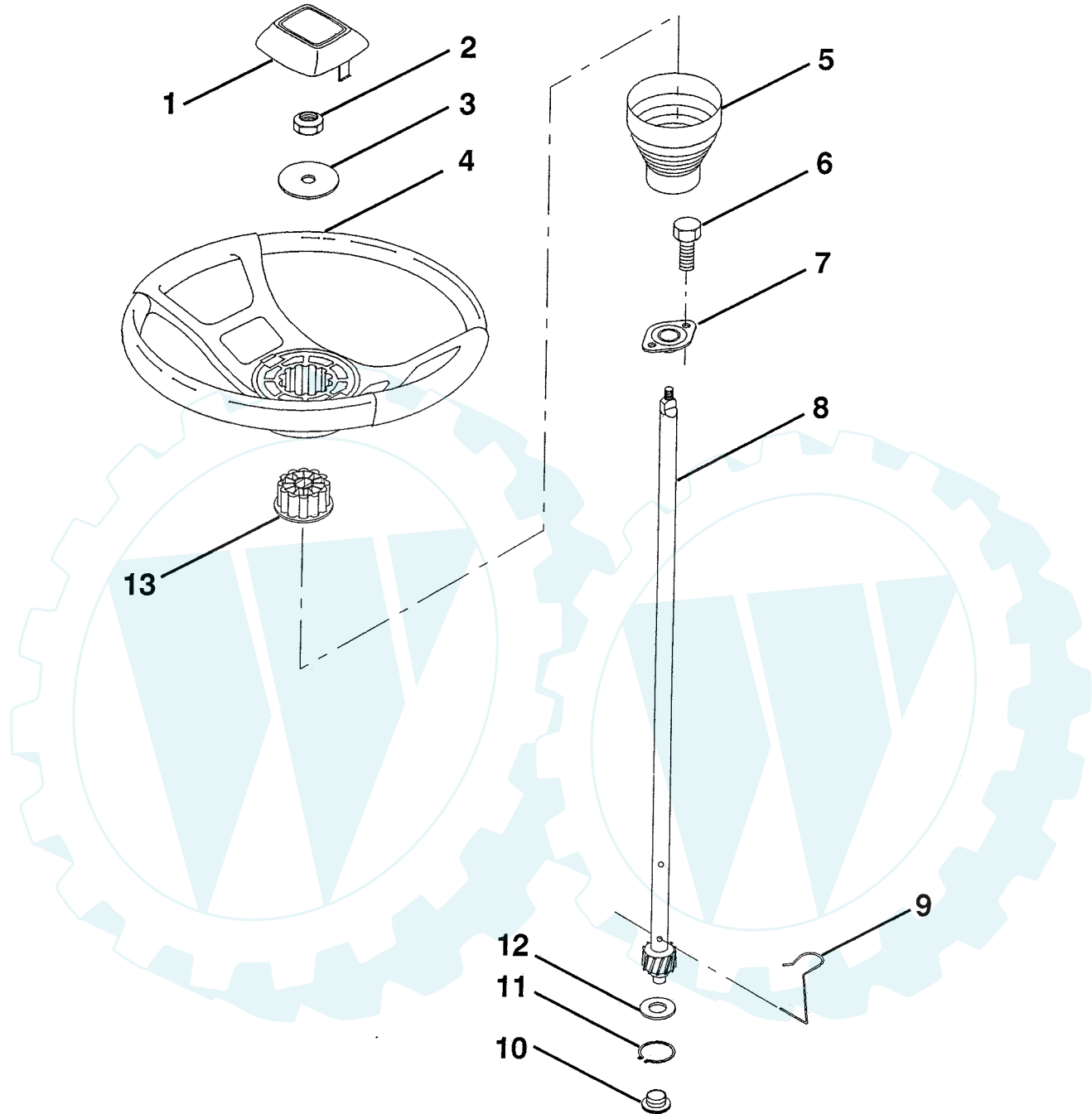
Der Ersatzteilspezialist im Internet.

# REPAIR PARTS

[www.ersatzteil-service.de](http://www.ersatzteil-service.de)

## 12 HP 38" TRACTOR - - MODEL NUMBER PP12R38M

### STEERING WHEEL



**KEY PART  
NO. NO.**

**DESCRIPTION**

- 1 532121584 Insert, Steering Wheel
- 2 532124701 Locknut 3/8-24 UNF
- 3 819133808 Washer 13/32 x 2-3/8 x 8 Gauge
- 4 532121472 Steering Wheel
- 5 532121897 Sleeve, Steering
- 6 817431008 Screw, Hex, Self-Tapping #10-16 x 1/2
- 7 532102803 Bushing, Steering

**KEY PART  
NO. NO.**

**DESCRIPTION**

- 8 532123651 Shaft, Steering
- 9 532124210 Clip, Steering
- 10 532123438 Bushing, Lower, Steering
- 11 812000045 Ring, Retaining
- 12 819211616 Washer 21/32 x 1 x 16 Gauge
- 13 532104820 Adaptor, Steering Wheel

**NOTE:** All component dimensions given in U.S. inches  
1 inch = 25.4 mm

HARDWARE SHOWN LARGER FOR EASIER IDENTIFICATION

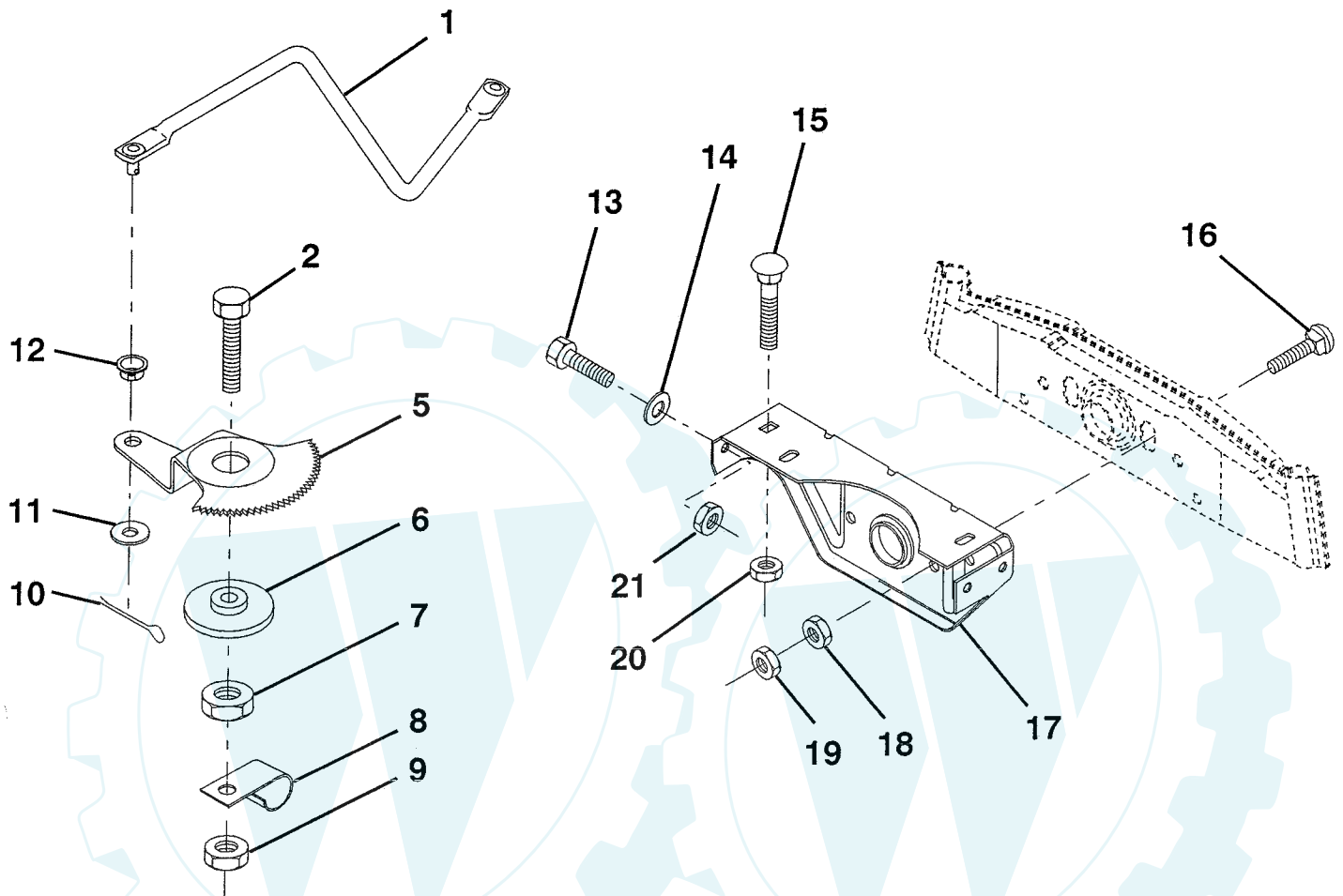
Der Ersatzteilspezialist im Internet.

# REPAIR PARTS

[www.ersatzteil-service.de](http://www.ersatzteil-service.de)

## 12 HP 38" TRACTOR - - MODEL NUMBER PP12R38M

### SECTOR GEAR / AXLE SUPPORT



#### KEY PART NO. NO.

#### DESCRIPTION

1	532132566	Link, Drag
2	874780828	Bolt, Hex, Fin. 1/2-13 x 1-3/4
5	532121926	Gear, Sector
6	532121927	Bushing
7	873030800	Nut, Heavy, Hex Head, Top Lock 1/2-13 UNC
8	532126472	Clip, Wire
9	873680800	Nut, Crownlock 1/2-13
10	876020412	Pin, Cotter 1/8 x 3/4
11	819131316	Washer 13/32 x 13/16 x 16 Gauge
12	532126847	Bushing

#### KEY PART NO. NO.

#### DESCRIPTION

13	874760512	Bolt, Hex 5/16-18 UNC x 3/4
14	819111416	Washer 11/32 x 7/8 x 16 Gauge
15	872110606	Bolt, Carriage 3/8-16 UNC x 3/4
16	872140622	Bolt, Carriage 3/8-16 x 2-3/4
17	532121912	Support, Front Axle
18	873220600	Nut, Hex, Fin. 3/8-16 UNC
19	873930600	Nut, Centerlock 3/8-16 UNC
20	873680600	Nut, Crownlock 3/8-16 UNC
21	873680500	Nut, Crownlock 5/16-18

**NOTE:** All component dimensions given in U.S. inches  
1 inch = 25.4 mm

HARDWARE SHOWN LARGER FOR EASIER IDENTIFICATION

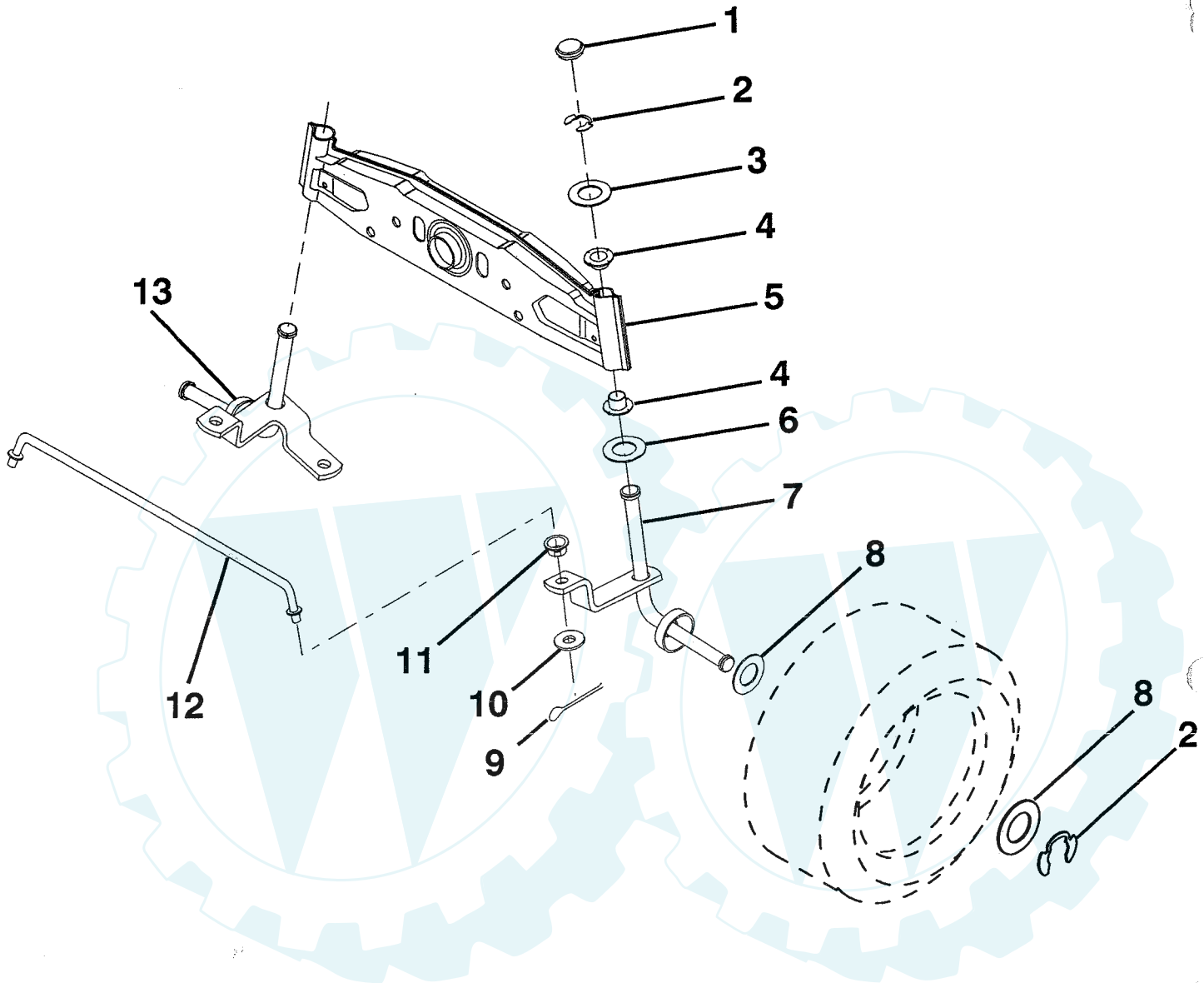


# REPAIR PARTS

[www.ersatzteil-service.de](http://www.ersatzteil-service.de)

## 12 HP 38" TRACTOR -- MODEL NUMBER PP12R38M

### FRONT AXLE



#### KEY PART NO. NO.

#### DESCRIPTION

1	532121232	Cap, Spindle
2	812000029	Ring, Klip
3	532121748	Washer 25/32 x 1-5/8 x 16 Gauge
4	532121922	Nyliner
5	532121914	Axle, Front
6	532124931	Bearing, Thrust
7	532121919	Spindle Assembly, RH
8	532121749	Washer 25/32 x 1-1/4 x 16 Gauge

#### KEY PART NO. NO.

#### DESCRIPTION

9	876020412	Pin, Cotter 1/8 x 3/4
10	819131316	Washer 13/32 x 13/16 x 16 Gauge
11	532126847	Bushing
12	532121924	Rod, Tie
13	532121916	Spindle Assembly, LH

**NOTE:** All component dimensions given in U.S. inches  
1 inch = 25.4 mm

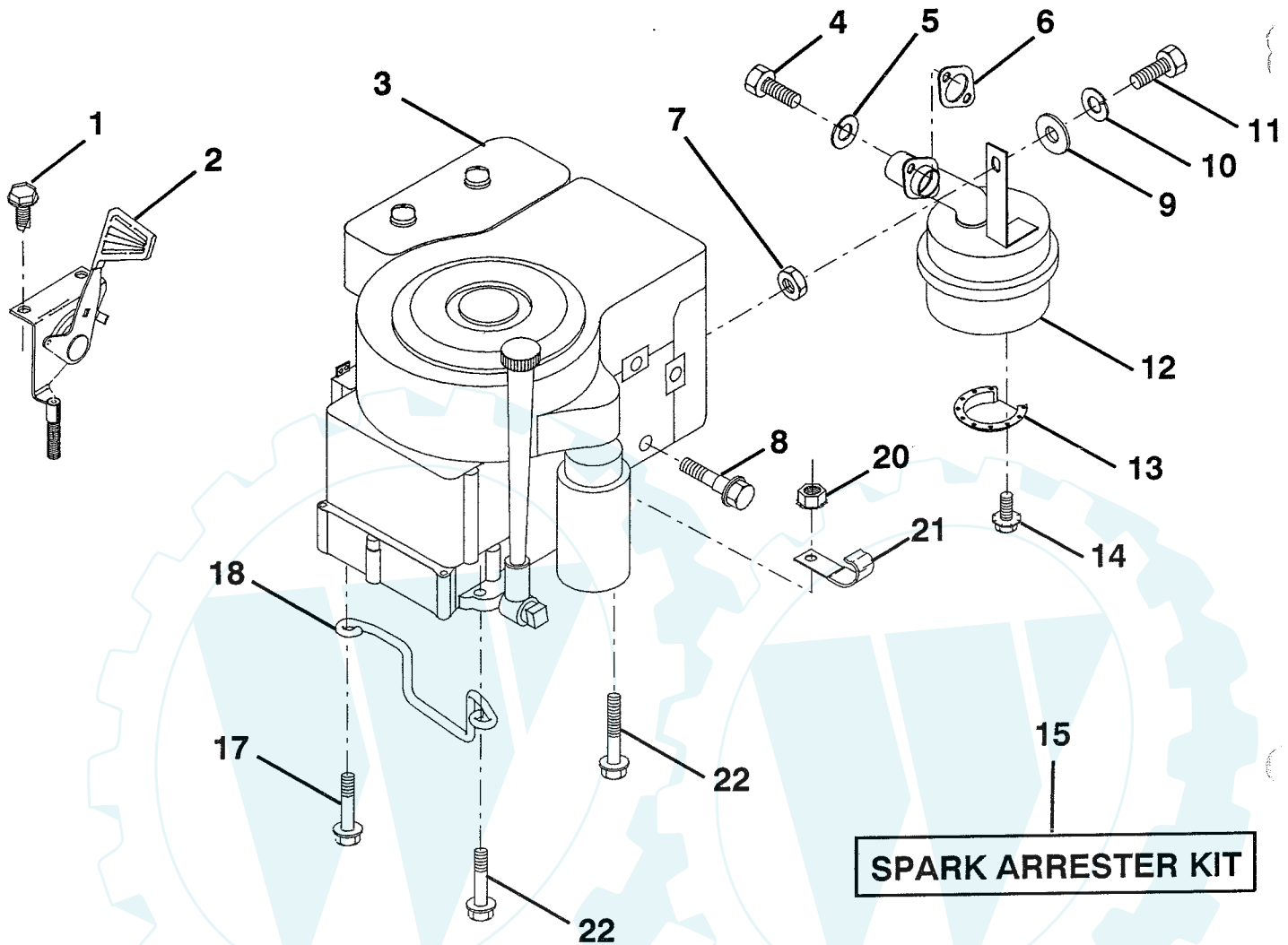
HARDWARE SHOWN LARGER FOR EASIER IDENTIFICATION

Der Ersatzteil-spezialist im Internet.

# REPAIR PARTS

## 12 HP 38" TRACTOR - - MODEL NUMBER PP12R38M

### ENGINE / THROTTLE



**KEY PART NO. NO.**

**DESCRIPTION**

1	817720408	Screw, Hex Head, Thread Cutting 1/4-20 x 1/2
2	532133025	Control, Throttle
3	---	Engine, Briggs & Stratton, 12 HP, Model Number 283707
4	871070512	Screw, Hex Cap Head, 5/16-18 x 3/4
5	810040500	Washer, Lock, Heavy Helical Spring 5/16
6	532125593	Gasket, Exhaust
7	873220500	Nut, Hex, Fin. 5/16-18
8	532121094	Bolt, Shoulder
9	819101216	Washer 5/16 x 3/4 x 16 Gauge
10	810040400	Washer, Lock, Heavy Helical Spring 1/4

**KEY PART NO. NO.**

**DESCRIPTION**

11	874780412	Bolt, Hex, Fin. 1/4-20 UNC x 3/4
12	532124097	Muffler
13	532101326	Deflector, Muffler
14	817030808	Screw, Hex Head, Spiderlock #8 x 1/2 ABTPS
15	532121851	Kit, Spark Arrester (Optional)
17	817490624	Screw, Hex Washer Head, Thd. Roll. 3/8-16 x 1-1/2
18	532126636	Keeper, Ground Drive Belt
20	873510600	Nut, Keps 3/8-16
21	532124996	Clip, Fuel Line
22	817490632	Screw, Thd. Roll. 3/8-16 x 2

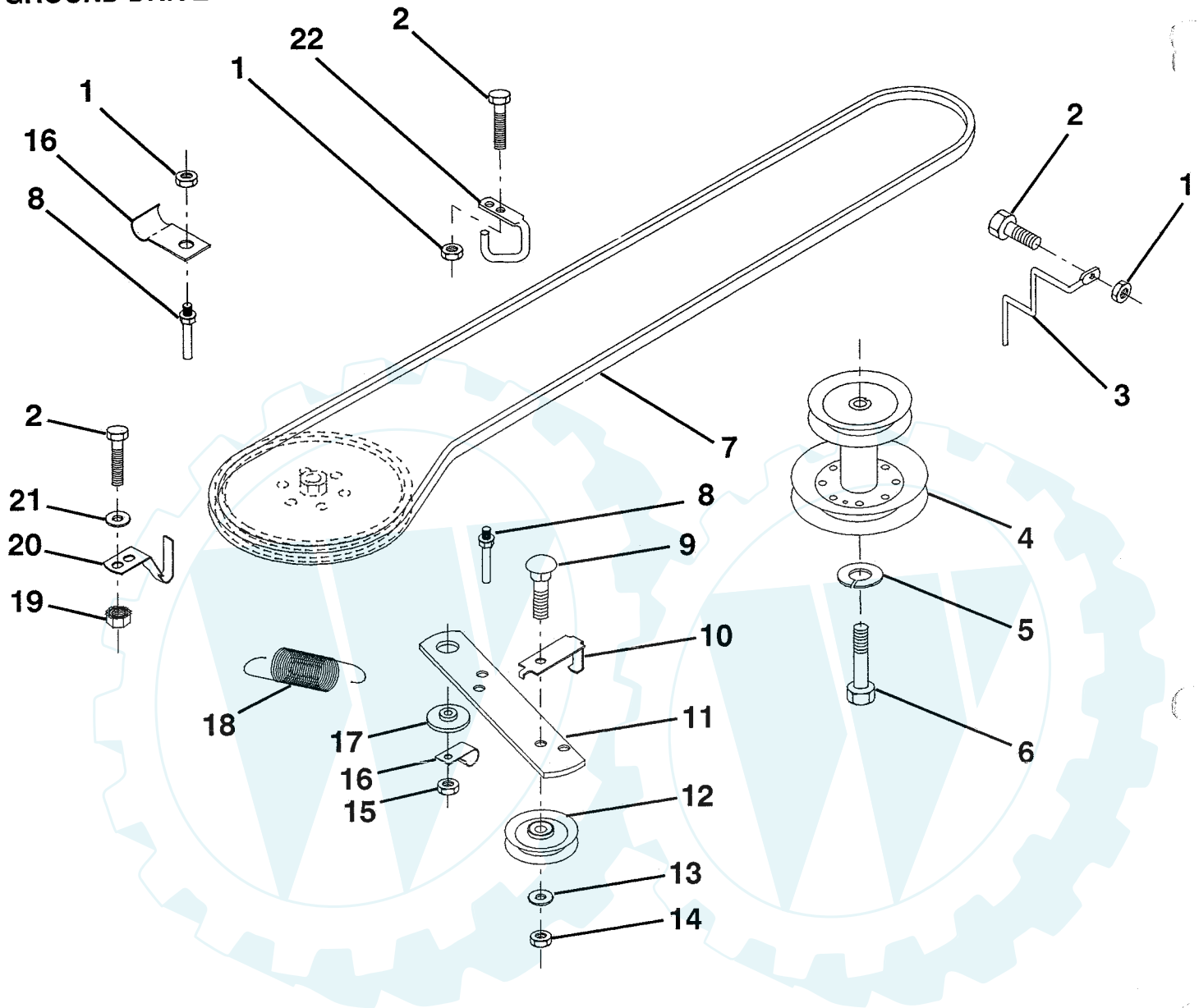
**NOTE:** All component dimensions given in U.S. inches  
1 inch = 25.4 mm

HARDWARE SHOWN LARGER FOR EASIER IDENTIFICATION

# REPAIR PARTS

## 12 HP 38" TRACTOR - - MODEL NUMBER PP12R38M

### GROUND DRIVE



**KEY PART  
NO. NO.**

**DESCRIPTION**

1	873680500	Nut, Crownlock 5/16-18
2	874760512	Bolt, Hex 5/16-18 UNC x 3/4
3	532132946	Keeper, Mower Drive Belt, Engine
4	532135036	Pulley, Engine
5	810040700	Washer, Lock 7/16
6	871130748	Bolt, Hex, Fin 7/16-20 UNF x 3
7	532124525	Traction, V-Belt Drive
8	532123405	Keeper, T/A Ground Drive Belt
9	872140612	Bolt, Carriage 3/8-16 x 1-1/2
10	532123396	Keeper, Ground Drive Belt, Idler
11	532123395	Arm, Ground Drive Clutch
12	532004859	Idler, Flat
13	819131316	Washer 13/32 x 13/16 x 16 Gauge

**KEY PART  
NO. NO.**

**DESCRIPTION**

14	873930600	Nut, Centerlock 3/8-16 UNC
15	873680600	Nut, Crownlock 3/8-16 UNC
16	532126471	Clip, Insulated
17	532122052	Spacer, Retainer
18	532131459	Spring, Extension
19	873510500	Nut, Keps 5/16-18 UNC
20	532123891	Keeper, T/A Ground Drive Belt
21	819111016	Washer 11/32 x 5/8 x 16 Gauge
22	532123404	Keeper, Frame, Ground Drive Belt

**NOTE:** All component dimensions given in U.S. inches  
1 inch = 25.4 mm

HARDWARE SHOWN LARGER FOR EASIER IDENTIFICATION

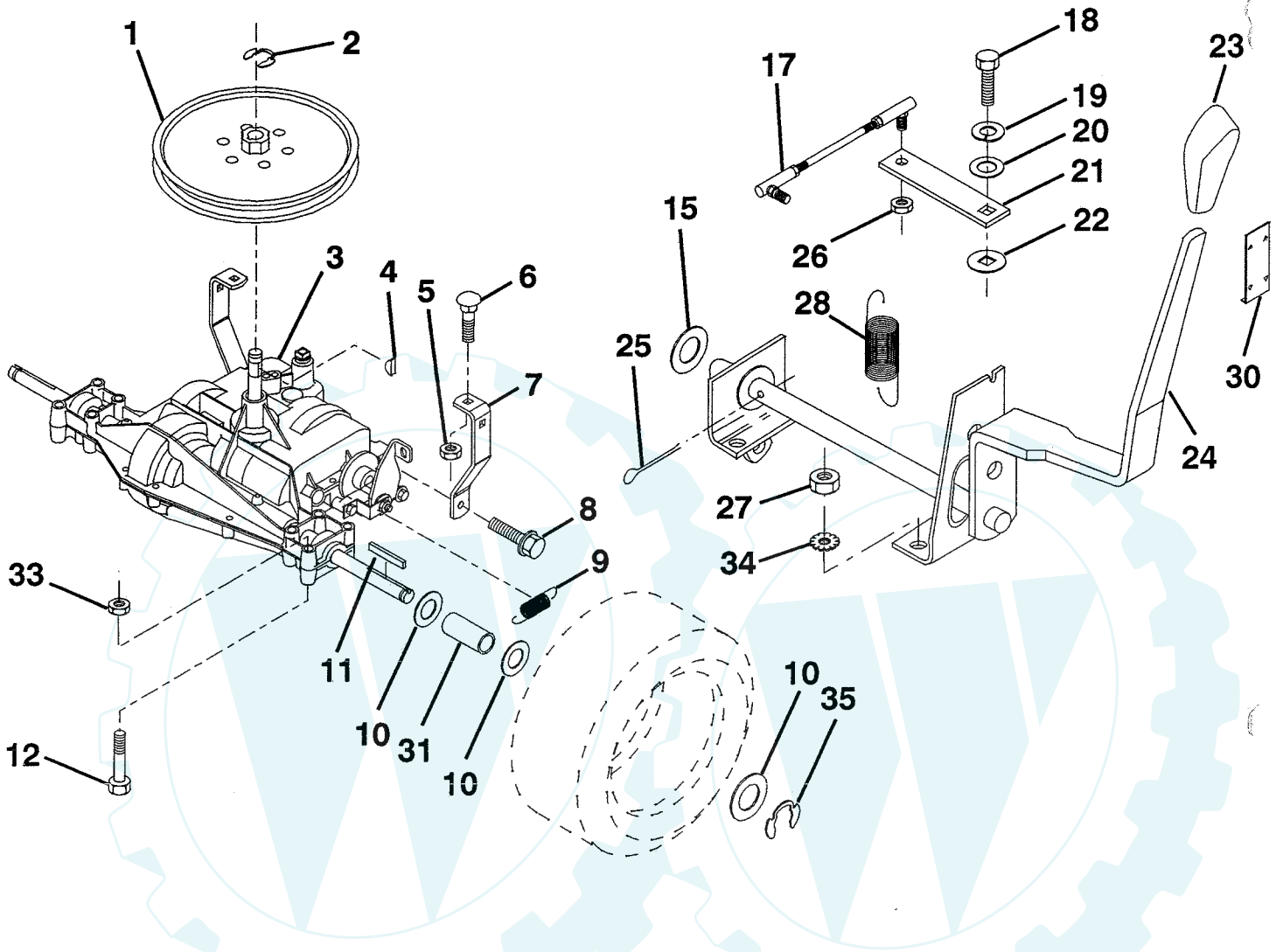
Der Ersatzteilspezialist im Internet.

# REPAIR PARTS

www.ersatzteil-service.de

## 12 HP 38" TRACTOR - - MODEL NUMBER PP12R38M

### TRANSAXLE



#### KEY PART NO. NO.

#### DESCRIPTION

1	532123385	Pulley
2	812000028	Ring, Retainer
3	532123655	Transaxle, Dana, 6 Speed, Model Number 4360-18
4	532125096	Key, Woodruff #9
5	873680500	Nut, Crownlock 5/16-18
6	872140506	Bolt, Carriage 5/16-18 UNC x 3/4
7	532123378	Strap, Torque
8	817490512	Screw, Hex, Thd. Roll. 5/16-18 x 3/4
9	532110422	Spring, Brake
10	532121749	Washer 25/32 x 1-1/4 x 16 Gauge
11	532123583	Key, Square
12	874760644	Bolt, Hex 3/8-16 x 2-3/4
15	819171616	Washer 17/32 x 1 x 16 Gauge
17	532123632	Link, Shift
18	871040412	Bolt, Hex, Fin. 1/4-28 x 3/4 Gr. 8

#### KEY PART NO. NO.

#### DESCRIPTION

19	810040400	Washer, Lock 1/4
20	819091210	Washer 9/32 x 3/4 x 10 Gauge
21	532123539	Arm, Shift
22	532105701	Washer, Shift Plate
23	532122011	Knob
24	532128202	Rod, Shift
25	876020416	Pin, Cotter 1/8 x 1
26	873810500	Nut, Hex Head, Nylon 5/16-24
27	873510500	Nut, Keps 5/16-18
28	532128085	Spring, Extension
30	532123692	Retainer, Knob
31	532123409	Spacer
33	873680600	Nut, Crownlock 3/8-16
34	811050500	Washer; Lock, External Tooth 5/16
35	812000001	E-Ring

**NOTE:** All component dimensions given in U.S. inches  
1 inch = 25.4 mm

HARDWARE SHOWN LARGER FOR EASIER IDENTIFICATION

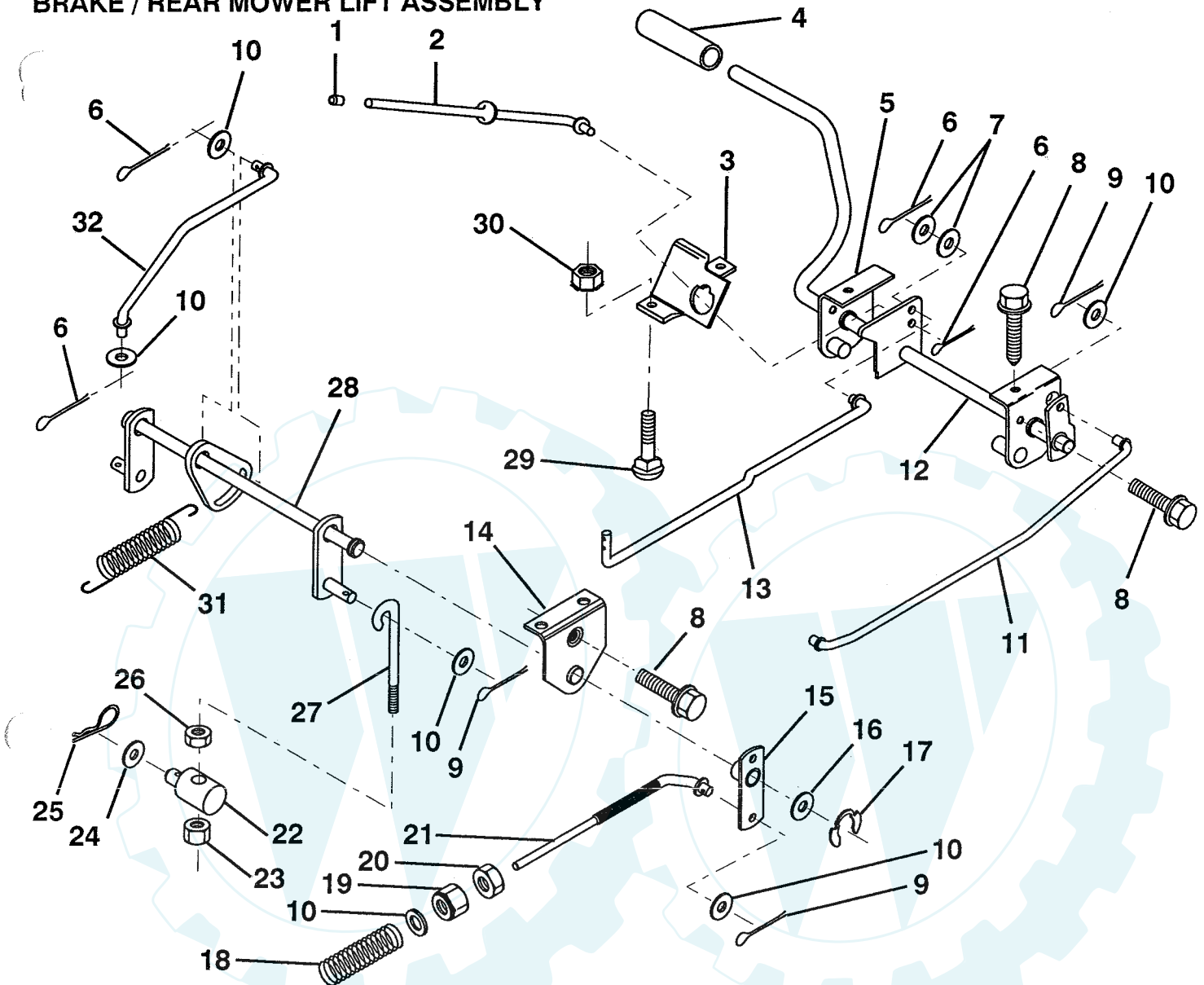
Der Ersatzteilspezialist im Internet.

# REPAIR PARTS

www.ersatzteil-service.de

## 12 HP 38" TRACTOR -- MODEL NUMBER PP12R38M

### BRAKE / REAR MOWER LIFT ASSEMBLY



#### KEY PART NO. NO.

#### DESCRIPTION

1	532071673	Cap, Plunger
2	532123436	Rod, Parking Brake
3	532123437	Bracket, Parking Brake
4	532124872	Cover, Pedal
5	532132205	Bracket Assy., Clutch Pedal, LH
6	876020312	Pin, Cotter 3/32 x 3/4
7	819131016	Washer 13/32 x 5/8 x 16 Gauge
8	817490508	Screw, Hex, Thd. Roll. 5/16-18 x 1/2
9	876020412	Pin, Cotter 1/8 x 3/4
10	819131316	Washer 13/32 x 13/16 x 16 Gauge
11	532123543	Rod, Front Brake
12	532136263	Assembly, Clutch/Brake Pedal
13	532123394	Rod, Clutch
14	532121978	Bracket, Lift, Shaft
15	532123641	Assembly, Brake, Pivot, Arm
16	819251816	Washer 25/32 x 1-1/8 x 16 Gauge
17	812000034	Ring, Klip

#### KEY PART NO. NO.

#### DESCRIPTION

18	532106888	Spring, Brake Rod
19	873350600	Nut, Hex, Jam 3/8-16 UNC
20	873680600	Nut, Crownlock 3/8-16 UNC
21	532131460	Rod, Rear Brake
22	532127378	Trunnion, Lift
23	873680600	Nut, Crownlock 3/8-16 UNC
24	819132012	Washer 13/32 x 1-1/4 x 12 Gauge
25	532124961	Spring, Retainer
26	873930600	Nut, Centerlock 3/8-16 UNC
27	532132218	Link, Threaded
28	532132221	Assembly, Rear Mower Lift
29	872110506	Bolt, Carriage 5/16-18 UNC x 3/4
30	873510500	Nut, Keps 5/16-18 UNC
31	532133095	Spring, Counterbalance
32	532133721	Link, Lift Lever

**NOTE:** All component dimensions given in U.S. inches  
1 inch = 25.4 mm

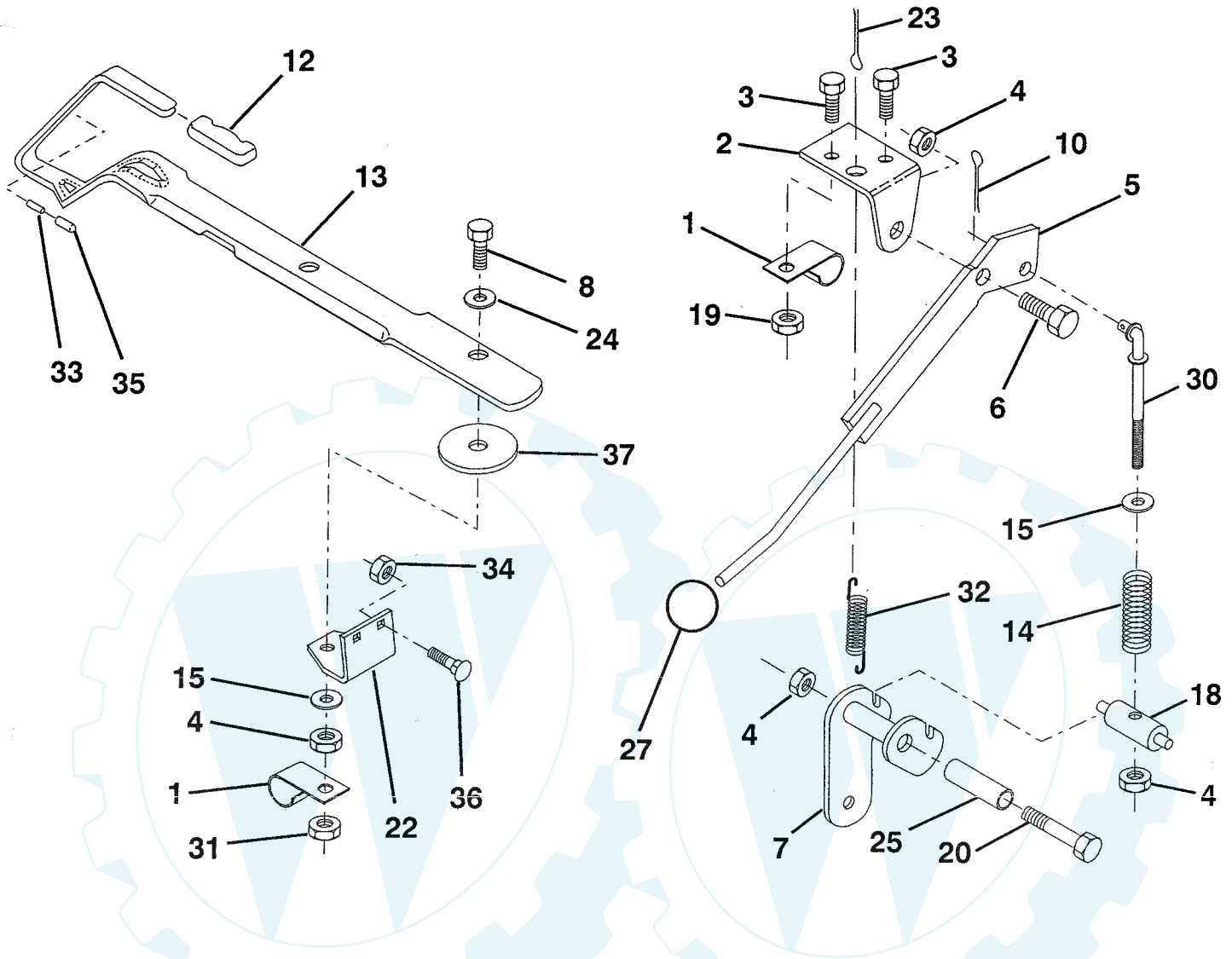
HARDWARE SHOWN LARGER FOR EASIER IDENTIFICATION

# REPAIR PARTS

[www.ersatzteil-service.de](http://www.ersatzteil-service.de)

## 12 HP 38" TRACTOR - - MODEL NUMBER PP12R38M

### MOWER LIFT LEVER



#### KEY PART NO. NO.

#### DESCRIPTION

1	532126470	Clip, Fuel Line
2	532122018	Bracket, Mower Clutch
3	874780408	Bolt, Hex, Fin. 1/4-20 UNC x 1/2 Grade 5
4	873680600	Nut, Crownlock 3/8-16 UNC
5	532132552	Assembly, Clutch Lever
6	532106451	Bolt, Shoulder
7	532135110	Assembly, Mower Clutch Arm
8	874930624	Bolt, Hex Head 3/8-16 x 1-1/2
10	876020412	Pin, Cotter 1/8 x 3/4
12	532132929	Handle, Lift Lever
13	532133761	Assembly, Lift Handle
14	532133939	Spring, Compression, Clutch
15	819131616	Washer 13/32 x 1 x 16 Gauge
18	532135107	Trunnion
19	873680400	Nut, Crownlock 1/4-20

#### KEY PART NO. NO.

#### DESCRIPTION

20	874760644	Bolt, Hex, Fin. 3/8-16 UNC x 2-3/4
22	532132561	Bracket, Lift Lever
23	876020312	Pin, Cotter 3/32 x 3/4
24	532007672	Washer 25/64 x 1-1/4 x 12 Gauge
25	532121933	Tube, Spacer
27	532121466	Knob
30	532135039	Rod, Tension, Clutch
31	873930600	Nut, Centerlock 3/8-16
32	532133435	Spring, Extension, Return
33	532000407	Pin, Roll
34	873680500	Nut, Crownlock 5/16-18
35	532133603	Cap, Vinyl, Red
36	872140506	Bolt, Carriage 5/16-18 x 3/4
37	819133808	Washer 13/32 x 2-3/8 x 8 Gauge

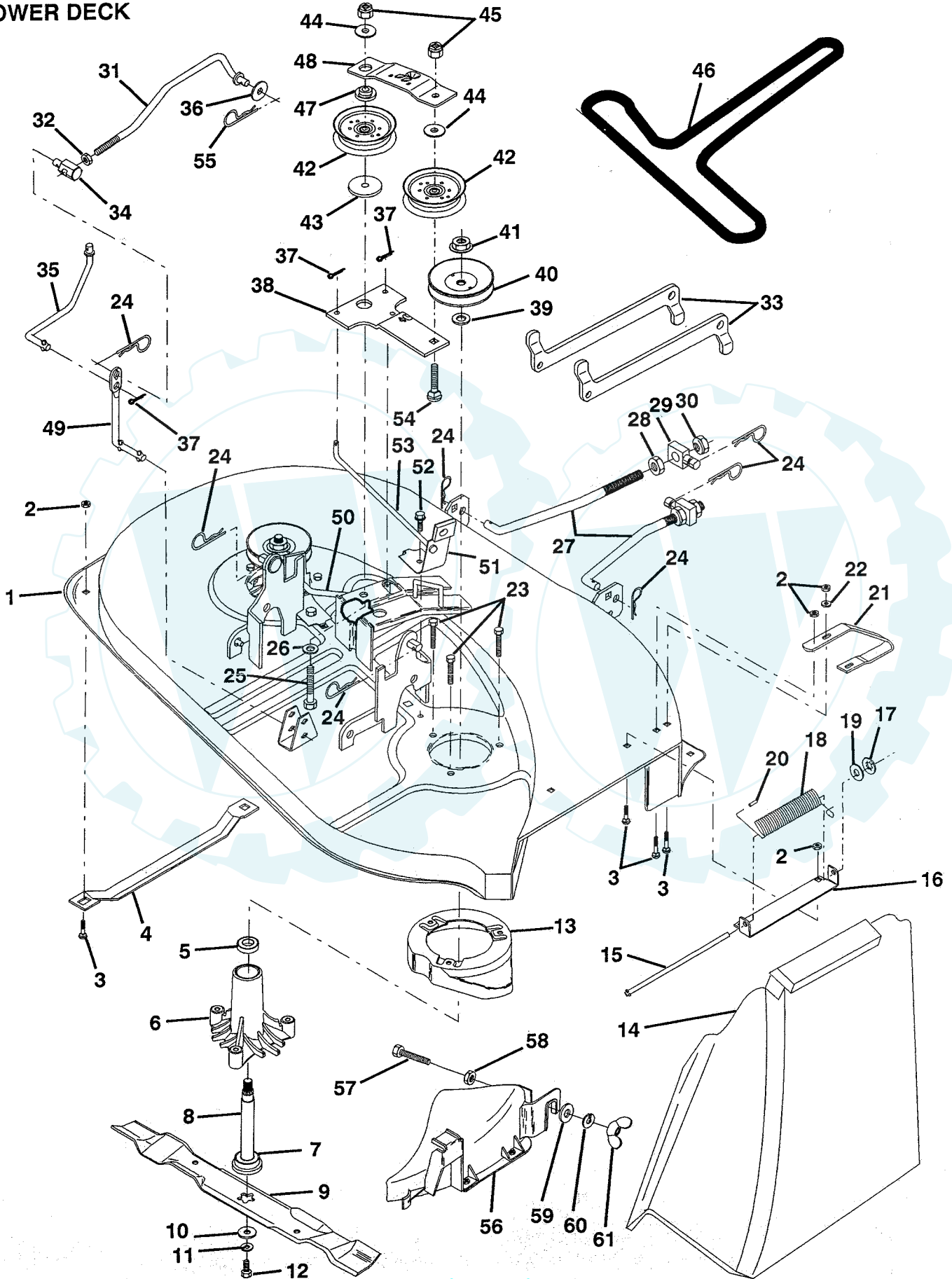
**NOTE:** All component dimensions given in U.S. inches  
1 inch = 25.4 mm

HARDWARE SHOWN LARGER FOR EASIER IDENTIFICATION

# REPAIR PARTS

## 12 HP 38" TRACTOR -- MODEL NUMBER PP12R38M

### MOWER DECK



# REPAIR PARTS

[www.ersatzteil-service.de](http://www.ersatzteil-service.de)

## 12 HP 38" TRACTOR - - MODEL NUMBER PP12R38M

### MOWER DECK

KEY PART NO. NO.	DESCRIPTION	KEY PART NO. NO.	DESCRIPTION		
1	532132564	Mower Deck Assembly	36	819131316	Washer 13/32 x 13/16 x 16 Gauge
2	873680500	Nut, Crownlock 5/16-18	37	876020312	Pin, Cotter 3/32 x 3/4
3	872140506	Bolt, Carriage 5/16-18 x 3/4	38	532133840	Idler Arm
4	532125074	Runner, LH	39	532129963	Washer .150 Thick
5	532110485	Bearing	40	532129206	Pulley, Mandrel
6	532128774	Housing, Mandrel	41	873050900	Nut, Flangelock 9/16
7	532129895	Bearing	42	532131494	Pulley, Idler, Flat
8	532133172	Shaft & Bearing Assembly, Mandrel (Includes Key Number 7)	43	532122052	Spacer, Retainer
9	532134148	Blade, Mulching	44	819131612	Washer 13/32 x 1 x 12 Gauge
10	532129962	Washer, Hardened	45	873680600	Nut, Crownlock 3/8-16
11	810030600	Washer, Lock 3/8	46	532131290	Belt
12	532850857	Bolt 3/8-24 x 1-1/4 Grade 8	47	532133502	Spacer, Idler Arm
13	532128961	Stripper, Mower, Vented	48	532133503	Stiffener, Idler Arm
14	532106736	Shield, Deflector	49	532133551	Rod, Pivot
15	532106735	Rod, Hinge	50	532131289	Rod, Brake, LH
16	532105896	Bracket Assembly, Deflector	51	532130840	Brake Assembly
17	532110452	Pushnut	52	817490512	Screw, Hex Washer Head, Thd., Roll. 5/16-18 x 3/4
18	532106734	Spring, Deflector	53	532131288	Rod, Brake, RH
19	819111016	Washer 11/32 x 5/8 x 16 Gauge	54	872110614	Bolt, Carriage 3/8-16 x 1-3/4 Grade 5
20	532105304	Cap, Sleeve	55	532124788	Spring, Retainer
21	532128772	Runner, RH	56	532132803	Cover, Mulcher
22	819111216	Washer 11/32 x 3/4 x 16 Gauge	57	874930620	Bolt, Hex 3/8-16 x 1-1/4
23	532078158	Bolt 5/16-18 x 1-1/4	58	873750600	Locknut 3/8-16
24	532124670	Retainer, Spring	59	819132016	Washer 13/32 x 1-1/4 x 16 Gauge
25	874600636	Bolt, Carriage 3/8-16 x 2-1/4	60	810040600	Washer, Lock 3/8
26	819131612	Washer 13/32 x 1 x 12 Gauge	61	532135651	Wing Nut
27	532132256	Link Assembly, Front	--	532135404	Mower Deck, Complete (Standard Deck - Does Not Include Mulcher Blade, Mulcher Cover, or Mulcher Cover Hardware)
28	873350800	Nut, Hex, Jam 1/2-13 UNC	--	532130794	Mandrel Assembly (includes Key Numbers 5-8, 10-12, 39 and 41)
29	532130171	Trunnion			
30	873800800	Locknut with Washer Insert 1/2-13 UNC			
31	532132553	Rod, Clutch, Primary			
32	873350600	Nut, Hex, Jam 3/8-16			
33	532132559	Arm, Suspension, Rear			
34	532133604	Trunnion 3/8-16			
35	532132554	Rod, Clutch, Secondary			

**NOTE:** All component dimensions given in U.S. inches  
1 inch = 25.4 mm

HARDWARE SHOWN LARGER FOR EASIER IDENTIFICATION

Der Ersatzteilspzialist im Internet.

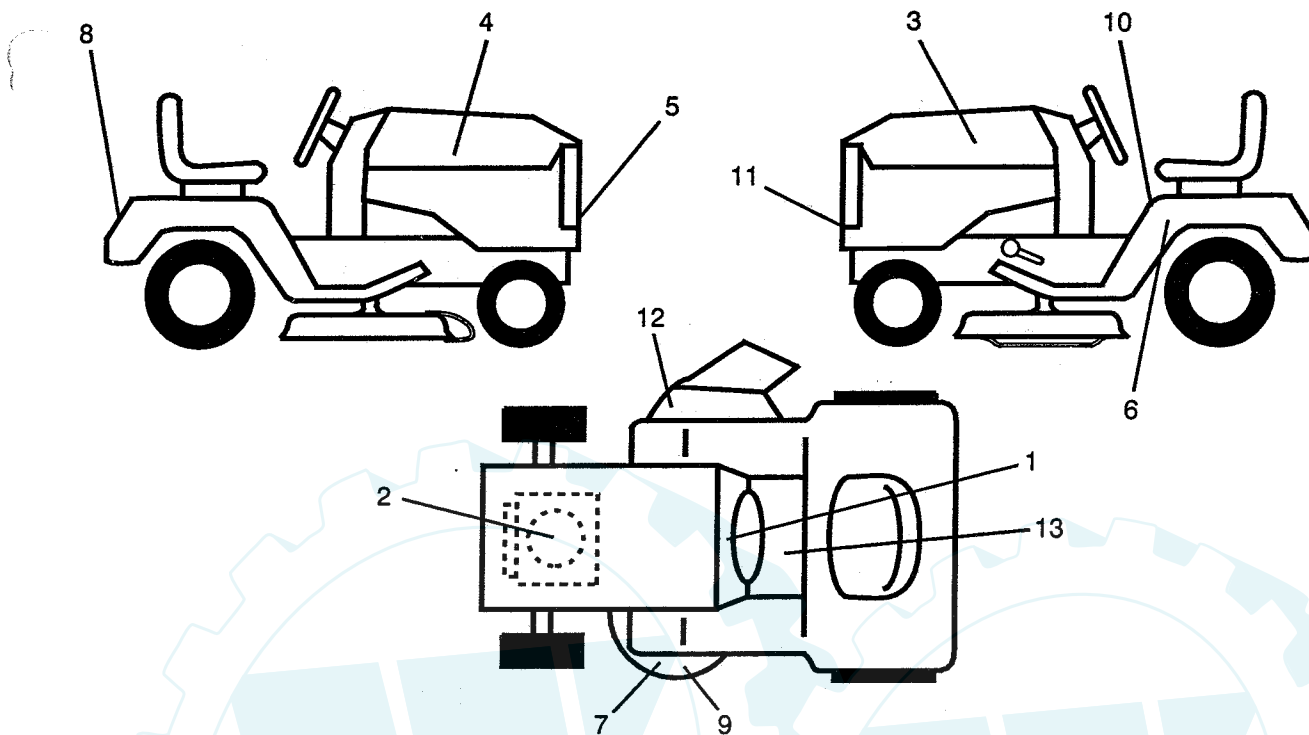


# REPAIR PARTS

[www.ersatzteil-service.de](http://www.ersatzteil-service.de)

## 12 HP 38" TRACTOR - - MODEL NUMBER PP12R38M

### DECALS



#### KEY PART NO. NO.

#### DESCRIPTION

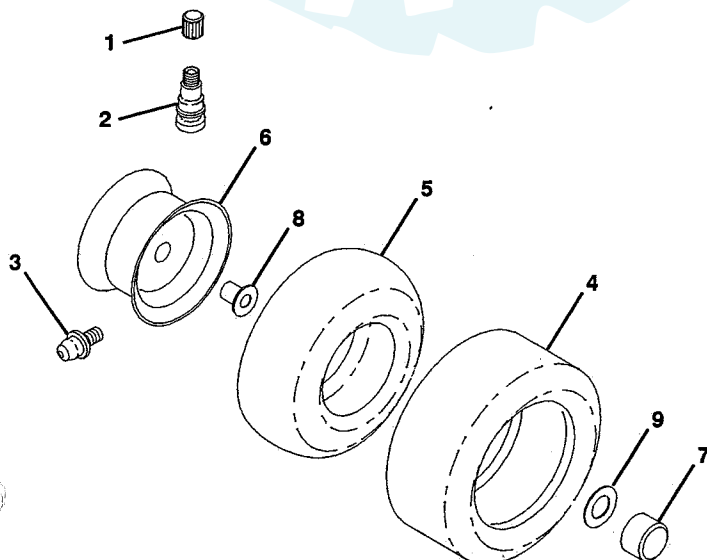
1	532126712	Decal, Instruction, Engine
2	532120601	Decal, Engine, HP
3	532133994	Decal, Stripe, Hood, LH
4	532133993	Decal, Stripe, Hood, RH
5	532126860	Decal, Lightbox, Lower
6	532132928	Decal, Height Indicator, Deck
7	532125087	Decal, Rotating Blades

#### KEY PART NO. NO.

#### DESCRIPTION

8	532133900	Decal, Fender
9	532135013	Decal, Enviro Deck
10	532133796	Decal, Caution
11	532127630	Decal, Grill
12	532121343	Decal, Danger
13	532135561	Pad, Footrest
--	532135372	Manual, Operator's
--	532135440	Manual, Repair Parts

### WHEELS & TIRES



#### KEY PART NO. NO.

#### DESCRIPTION

1	532059192	Cap, Valve
2	532065139	Stem, Valve
3	532124957	Fitting, Grease (Front Only)
4	532132696	Tire, Front
	532132703	Tire, Rear
5	532059904	Tube, Tire, Front
	532008134	Tube, Tire, Rear
		(Not Supplied, Service Item Only)
6	532124809	Rim, Front
	532124805	Rim, Rear
7	532104757	Cap, Axle (Front and Rear)
8	532124959	Bearing, Flange (Front only)
9	532121748	Washer 25/32 x 1-5/8 x 16 Gauge

**NOTE:** All component dimensions given in U.S. inches  
1 inch = 25.4 mm

HARDWARE SHOWN LARGER FOR EASIER IDENTIFICATION

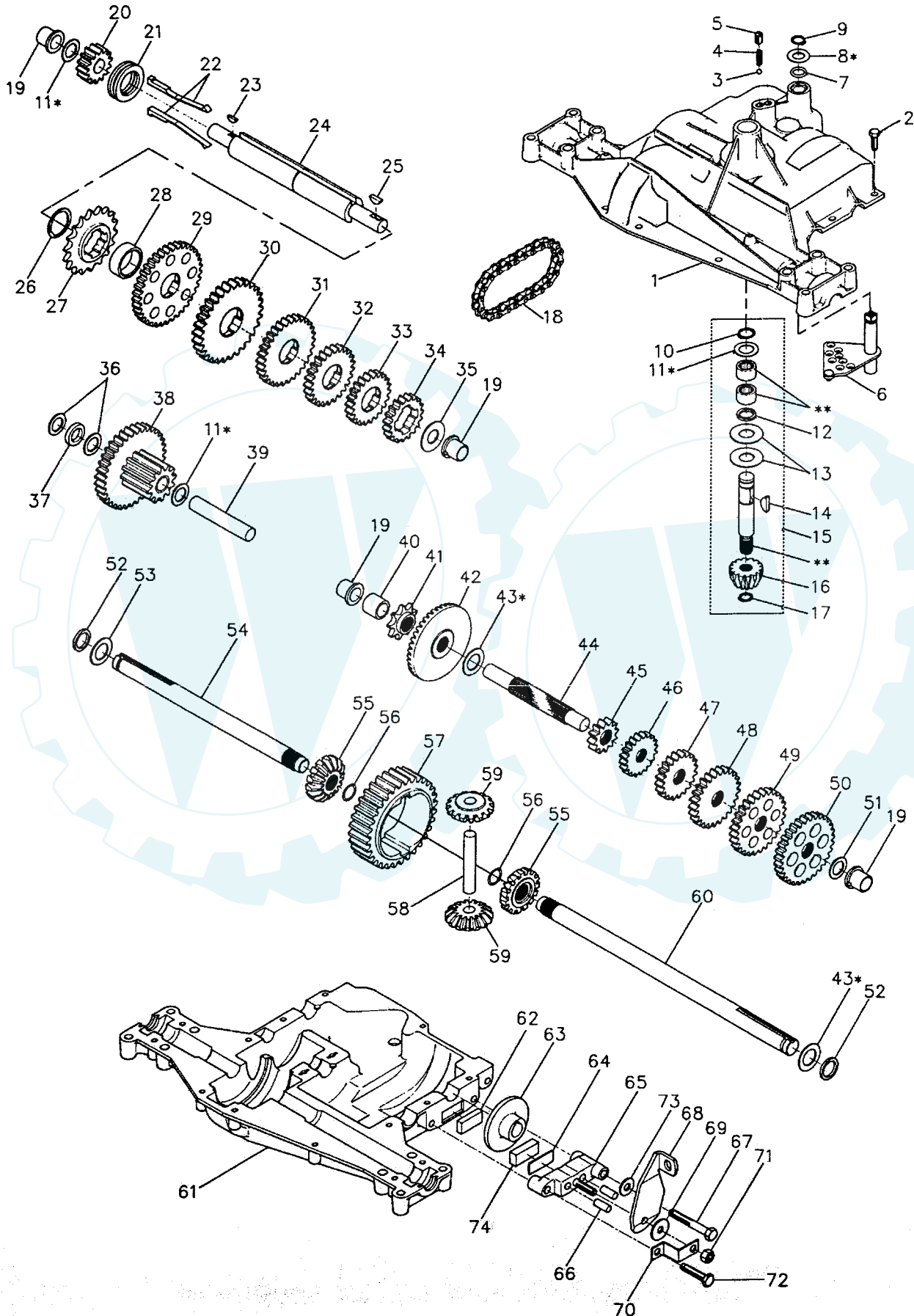
Der Ersatzteilspezialist im Internet.

# REPAIR PARTS

[www.ersatzteil-service.de](http://www.ersatzteil-service.de)

## 12 HP 38" TRACTOR - - MODEL NUMBER PP12R38M

### DANA TRANSAXLE - MODEL NUMBER 4360-18



# REPAIR PARTS

## 12 HP 38" TRACTOR - - MODEL NUMBER PP12R38M

### DANA TRANSAXLE - MODEL NUMBER 4360-18

Y PART NO. NO.	DESCRIPTION	KEY PART NO. NO.	DESCRIPTION
1	532120458 Housing, Upper	41	532105928 Sprocket, 9 Teeth
2	532002274 Screw, Tapping, Large 1/4-20 x .734	42	532110084 Gear, Bevel, 42 Teeth
3	532068003 Ball, Detent	43	532108983 * Washer, Plain .758 x 1.12 x .010
4	532105904 Spring, Detent		532105930 * Washer, Plain .758 x 1.12 x .015
5	532105905 Screw, Set		532105931 * Washer, Plain .758 x 1.12 x .020
6	532120460 Shifter Assembly		532105932 * Washer, Plain .758 x 1.12 x .025
7	532120461 O-Ring		532124916 * Washer, Plain .758 x 1.25 x .020
8	532120462 * Washer, Plain .505 x .942 x .006		532106097 * Washer, Plain .758 x 1.25 x .025
	532120463 * Washer, Plain .505 x .942 x .010		532002264 * Washer, Plain .758 x 1.25 x .031
	532120464 * Washer, Plain .505 x .942 x .015		532106098 * Washer, Plain .758 x 1.25 x .035
	532120465 * Washer, Plain .505 x .942 x .020		532002265 * Washer, Plain .758 x 1.25 x .040
	532120466 * Washer, Plain .505 x .942 x .026		532106586 * Washer, Plain .758 x 1.25 x .045
	532083818 * Washer, Plain .505 x .942 x .030		532106587 * Washer, Plain .758 x 1.25 x .050
	532120467 * Washer, Plain .505 x .942 x .040		532106588 * Washer, Plain .758 x 1.25 x .055
9	532002286 Ring, Retaining		532002263 * Washer, Plain .758 x 1.25 x .062
10	532002267 Ring, Retaining	44	532120473 Shaft, Drive
11	532003413 * Washer, Plain .632 x 1.00 x .010	45	532105933 Gear, Spur, 12 Teeth
	532002233 * Washer, Plain .632 x 1.00 x .020	46	532106151 Gear, Spur, 15 Teeth
	532002232 * Washer, Plain .632 x 1.00 x .026	47	532120407 Gear, Spur, 20 Teeth
	532002231 * Washer, Plain .632 x 1.00 x .031	48	532106589 Gear, Spur, 25 Teeth
	532002230 * Washer, Plain .632 x 1.00 x .036	49	532120408 Gear, Spur, 28 Teeth
	532002229 * Washer, Plain .632 x 1.00 x .041	50	532105937 Gear, Spur, 31 Teeth
	532002228 * Washer, Plain .632 x 1.00 x .046	51	532002226 Washer, Plain .632 x 1.00 x .060
	532002227 * Washer, Plain .632 x 1.00 x .050	52	532002272 Seal, Felt
	532002226 * Washer, Plain .632 x 1.00 x .060	53	532002263 Washer, Plain .758 x 1.25 x .062
	532105906 * Washer, Plain .632 x 1.00 x .082	54	532123907 Axle, Left Hand
12	532006725 O-Ring	55	532110081 Gear, Miter, 15 Teeth
13	532120415 Washer, Plain .632 x 1.38 x .046	56	532105941 Ring, Retaining
14	532002257 Key, Woodruff, #9	57	532110071 Gear, Spur, 32 Teeth
15	532110077 Kit, Input Shaft Assembly	58	532120952 Shaft, Cross
16	532110078 Pinion, Bevel, 14 Teeth	59	532110082 Gear, Miter, 15 Teeth
17	532105909 Ring, Retaining	60	532123908 Axle, Right Hand
18	532105910 Chain, 24 Pitches	61	532120476 Housing, Lower
19	532105911 Bearing, Flange	62	532120961 Puck, Friction
20	532108976 Gear, Spur, 14 Teeth	63	532007294 Disc, Brake
21	532105913 Collar, Clutch	64	532108989 Spacer
22	532120468 Key, Clutch	65	532120953 Jaw, Brake
23	532002242 Key, Woodruff, #3	66	532120954 Pin, Dowel
24	532120469 Shaft, Intermediate	67	532120955 Screw, Tapping, Large 5/16-18 x 2.25
25	532002244 Key, Woodruff, #61	68	532108992 Lever, Actuating
26	532105916 Ring, Retaining	69	532108996 Washer, Plain .321 x 1.00 x .055
27	532120470 Sprocket, 18 Teeth	70	532120956 Bracket, Anti-Rotation
28	532110070 Spacer	71	873810500 Locknut 5/16-24
29	532108977 Gear, Spur, 37 Teeth	72	532106596 Screw, Tapping, Large 5/16-18 x 1.44
30	532109254 Gear, Spur, 35 Teeth	73	532120993 Washer, Plain .343 x .81 x .059
31	532120405 Gear, Spur, 30 Teeth	74	532120951 Puck, Friction
32	532108980 Gear, Spur, 25 Teeth	75	532120416 Grease
33	532120406 Gear, Spur, 22 Teeth		
34	532108455 Gear, Spur, 19 Teeth		
35	532105925 Washer, Plain .640 x 1.37 x .061		
36	532002232 Washer, Plain .632 x 1.00 x .026		
37	532108978 Spacer .630 x 1.00 x .169		
38	532110079 Assembly, Gear, Combination of 12 Teeth and 35 Teeth		
39	532120471 Shaft, Idler		
40	532120472 Spacer .635 x .875 x .755		

\* Use In Various Combinations to Maintain Proper Clearances

\*\* Order Key Number 15

NOTE: All component dimensions given in U.S. inches  
1 inch = 25.4 mm