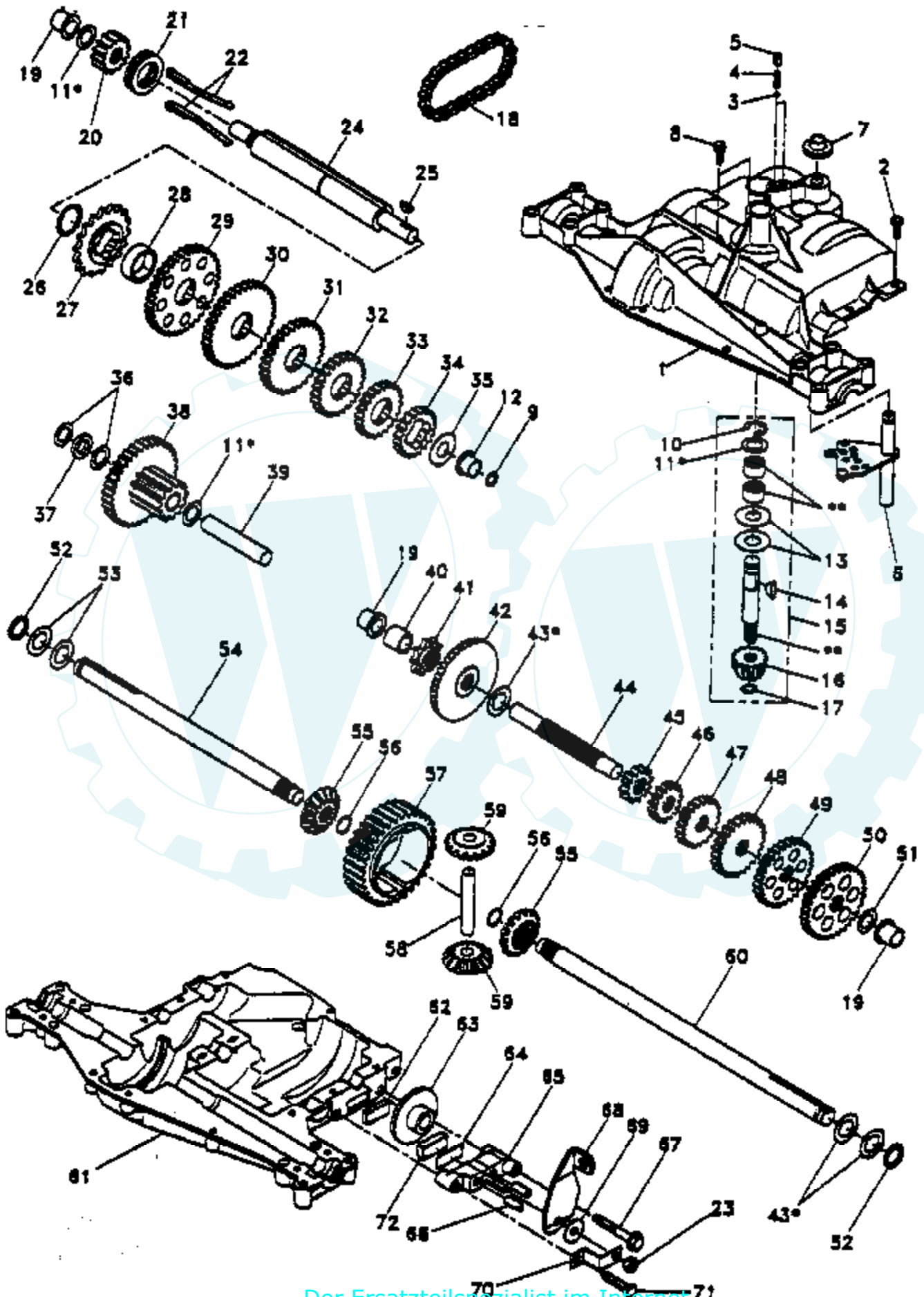
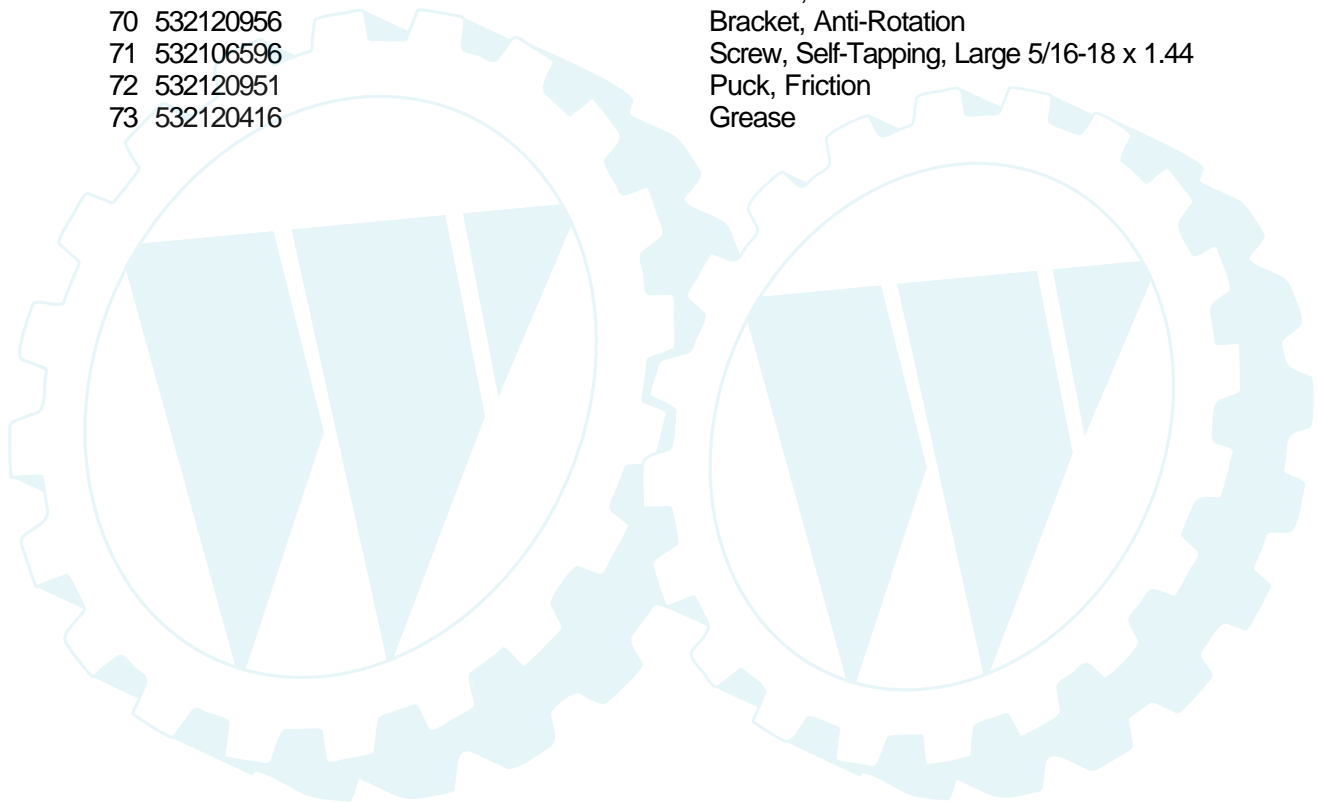


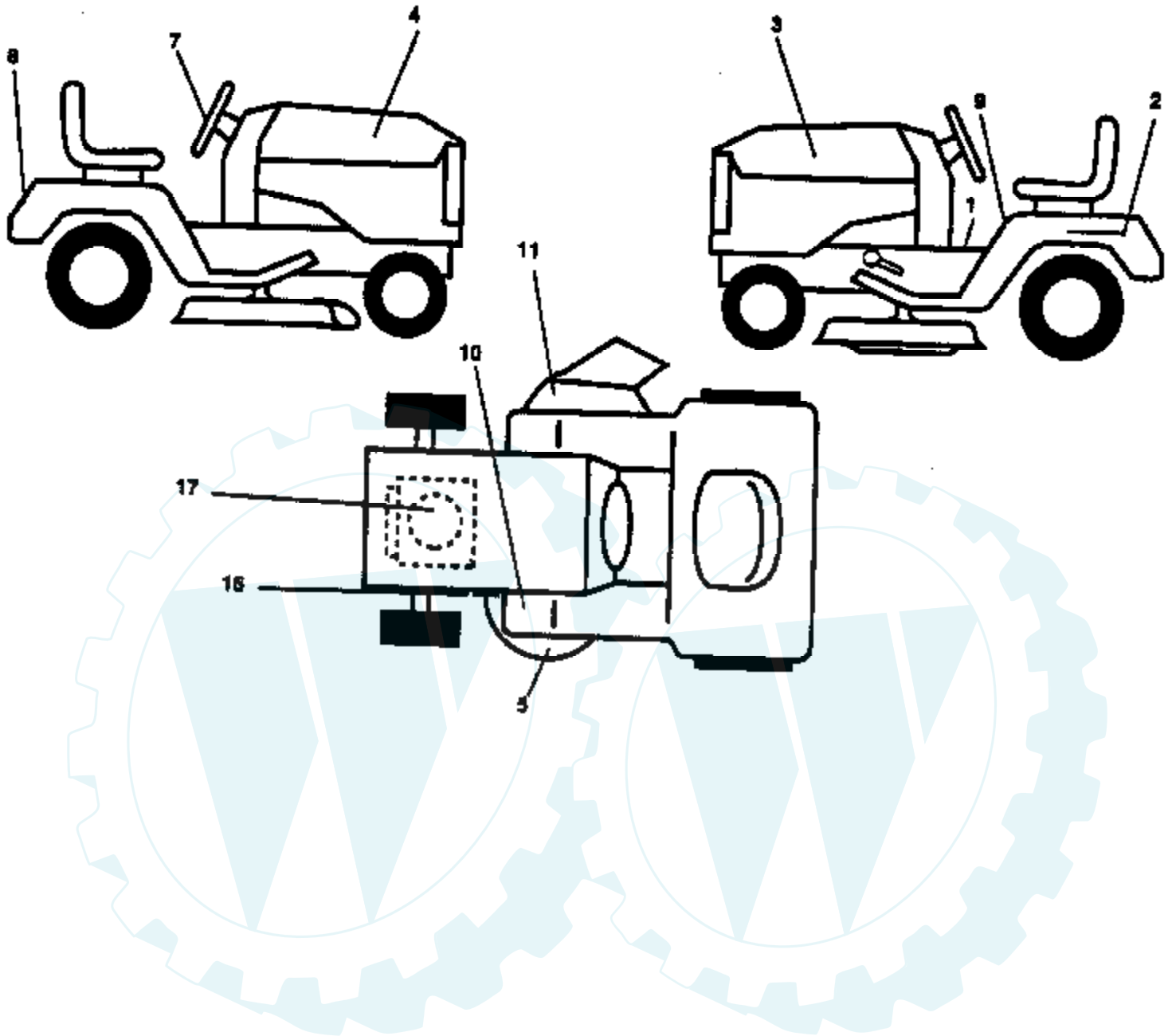
| Ref # | Part Number | Qty | Description                           |
|-------|-------------|-----|---------------------------------------|
| 1     | 532140341   |     | Chassis Weldment 11ga                 |
| 2     | 532140356   |     | Drawbar, Stretch                      |
| 3     | 817490612   |     | Screw Thdrol 3/8-16x3/4 Ty-tt         |
| 4     | 817490412   |     | Screw Hexwsh. Thdrol 1/4-20 x 3/4     |
| 6     | 532140169   |     | Saddle LT Fender Shift                |
| 7     | 817490612   |     | Screw Thdrol 3/8-16x3/4 Ty-tt         |
| 8     | 532124996   |     | Clip Line Fuel 13/32 Mtg Hole         |
| 9     | 532140072   |     | Dash Private Label                    |
| 10    | 532005479   |     | Plug Button                           |
| 11    | 532140311   |     | Panel Pnt Dash Lh                     |
| 13    | 532140178   |     | Panel Dash Rh Weldment                |
| 14    | 817490608   |     | Screw Thdrol 3/8-16x1/2 Ty-tt         |
| 15    | 532138096   |     | Rivet Push Plate D Pliastick Blk.     |
| 17    | 53214473    |     | Hood Paint Steel Private Label        |
| 24    | 874780616   |     | Bolt Fin Hex 3/8-16unc X 1 Gr. 5      |
| 25    | 819131312   |     | Washer 13/32 X 13/16 X 12 Ga          |
| 26    | 873800600   |     | Nut Lock Hex W/Ins 3/8-16 Unc         |
| 28    | 532140141   |     | Grille Private Label                  |
| 29    | 532140273   |     | Lens Grille Private Label             |
| 30    | 532141324   |     | Fender Pnt                            |
| 31    | 532136619   |     | Bracket Pnt Fender                    |
| 32    | 817490612   |     | Screw Thdrol 3/8-16x3/4 Ty-tt         |
| 33    | 532124888   |     | Footrest Pnt Lh                       |
| 34    | 532124889   |     | Footrest Pnt Rh                       |
| 35    | 872110606   |     | Bolt Rdhd Sht Sqnk 3/8-16 X3/4        |
| 36    | 873800600   |     | Nut Hex Lock W/Insert 3/8-16 Unc      |
| 37    | 532133671   |     | Pad Footrest                          |
| 38    | 532139886   |     | Bracket, Asm. Pivot, L.H., Mower Rear |
| 39    | 532139887   |     | Bracket, Asm. Pivot, R.H., Mower Rear |
| 51    | 819131216   |     | Washer 13/32 x 3/4 x 16 Ga.           |
| 53    | 872140608   |     | Bolt Carriage 3/8-16 x 1              |
| 56    | 532140281   |     | Support Battery                       |
| 57    | 874780412   |     | Screw Hex 1/4-20 x 3/4                |
| 58    | 532140806   |     | Air Duct P/L                          |
| 62    | 532124028   |     | Bushing                               |
| 66    | 811050600   |     | Washer Lock Ext. Tooth 3/8            |
| 67    | 819091416   |     | Washer 9/32 x 7/8 x 16 Ga.            |
| 68    | 532140219   |     | Hinge Pickoff Hood                    |
| 69    | 874760412   |     | Bolt Hex Hd 1/4-20                    |
| 70    | 873680400   |     | Nut, Crownlock 1/4-20                 |
| 72    | 817030814   |     | Screw Lock Spider #8 x 7/8            |
| 73    | 532142779   |     | Brace                                 |
| 74    | 819091416   |     | Washer 9/32 x 7/8 x 16 Ga.            |
| 75    | 873800400   |     | Nut Lock Hex W/Ins 1/4-20             |
| 80    | 817490512   |     | Screw Thdrol 5/16-18 X3/4             |
| 81    | 532143007   |     | Bracket, Grill                        |



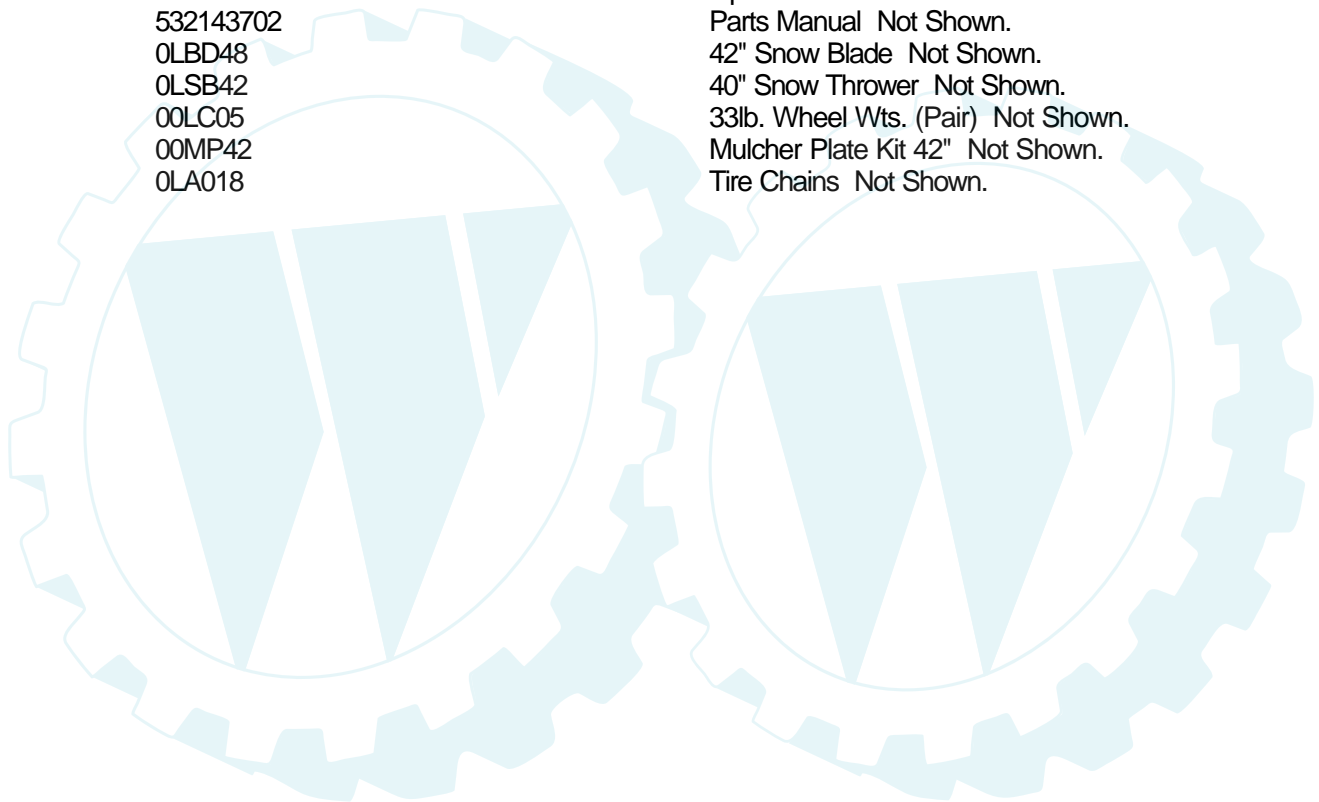
| Ref # | Part Number | Qty | Description   |
|-------|-------------|-----|---|
| 1     | 532142671   |     | Housing, Upper  |
| 2     | 532002274   |     | Screw, Self-Tapping, Large 1/4-20 x .734  |
| 3     | 532134400   |     | Ball, Detent  |
| 4     | 532105904   |     | Spring, Detent  |
| 5     | 532105905   |     | Screw, Set  |
| 6     | 532138235   |     | Kit, Shifter Assembly   |
| 7     | 532134399   |     | Boot, Shifter   |
| 8     | 532134791   |     | Screw, Self-Tapping, with Sealer  |
| 9     | 532138241   |     | Square Ring   |
| 10    | 532142672   |     | Ring, Retaining   |
| 11    | 532134793   |     | Assembly, Kit, Shim .625 Shaft Use in combinations to maintain proper clearances. |
| 12    | 532142673   |     | Bearing, Flange   |
| 13    | 532120415   |     | Washer, Plain .632 x 1.38 x .046  |
| 14    | 532142674   |     | Key, Woodruff, #9   |
| 15    | 532138234   |     | Assembly, Kit, Input Shaft  |
| 16    | 532110078   |     | Pinion, Bevel, 14 Teeth   |
| 17    | 532105909   |     | Ring, Retaining   |
| 18    | 532105910   |     | Chain, 24 Pitches   |
| 19    | 532105911   |     | Bearing, Flange   |
| 20    | 532142675   |     | Gear, Spur, 14 Teeth  |
| 21    | 532138246   |     | Collar, Clutch  |
| 22    | 532138236   |     | Assembly, Kit, Clutch Keys  |
| 23    | 873810500   |     | Locknut 5/16-24   |
| 24    | 532142676   |     | Shaft, Intermediate   |
| 25    | 532002244   |     | Key, Woodruff, #61  |
| 26    | 532105916   |     | Ring, Retaining   |
| 27    | 532120470   |     | Sprocket, 18 Teeth  |
| 28    | 532110070   |     | Spacer  |
| 29    | 532142677   |     | Gear, Spur, 37 Teeth  |
| 30    | 532142681   |     | Gear, Spur, 35 Teeth  |
| 31    | 532120405   |     | Gear, Spur, 30 Teeth  |
| 32    | 532108980   |     | Gear, Spur, 25 Teeth  |
| 33    | 532120406   |     | Gear, Spur, 22 Teeth  |
| 34    | 532134796   |     | Gear, Spur, 19 Teeth  |
| 35    | 532105925   |     | Washer, Plain .640 x 1.37 x .061  |
| 36    | 532002232   |     | Washer, Plain .632 x 1.00 x .026  |
| 37    | 532108978   |     | Spacer .630 x 1.00 x .169   |
| 38    | 532110079   |     | Assembly, Gear, Combination of 12 Teeth and 35 Teeth                              |
| 39    | 532124639   |     | Shaft, Idler  |
| 40    | 532120472   |     | Spacer .635 x .875 x .755   |
| 41    | 532105928   |     | Sprocket, 9 Teeth   |
| 42    | 532110084   |     | Gear, Bevel, 42 Teeth   |
| 43    | 532134394   |     | Assembly, Kit, Shim .750 Shaft Use in combinations to maintain proper clearances. |
| 44    | 532120473   |     | Shaft, Drive  |
| 45    | 532142678   |     | Gear, Spur, 12 Teeth  |
| 46    | 532142679   |     | Gear, Spur, 15 Teeth  |
| 47    | 532120407   |     | Gear, Spur, 20 Teeth  |
| 48    | 532106589   |     | Gear, Spur, 25 Teeth  |
| 49    | 532120408   |     | Gear, Spur, 28 Teeth  |
| 50    | 532105937   |     | Gear, Spur, 31 Teeth  |
| 51    | 532002226   |     | Washer, Plain .632 x 1.00 x .060  |
| 52    | 532134401   |     | Washer, Neoprene  |
| 53    | 532002264   |     | Washer, Plain .758 x 1.25 x .031  |
| 54    | 532120474   |     | Axle, I.H.  |
| 55    | 532110081   |     | Gear, Miter, 15 Teeth   |

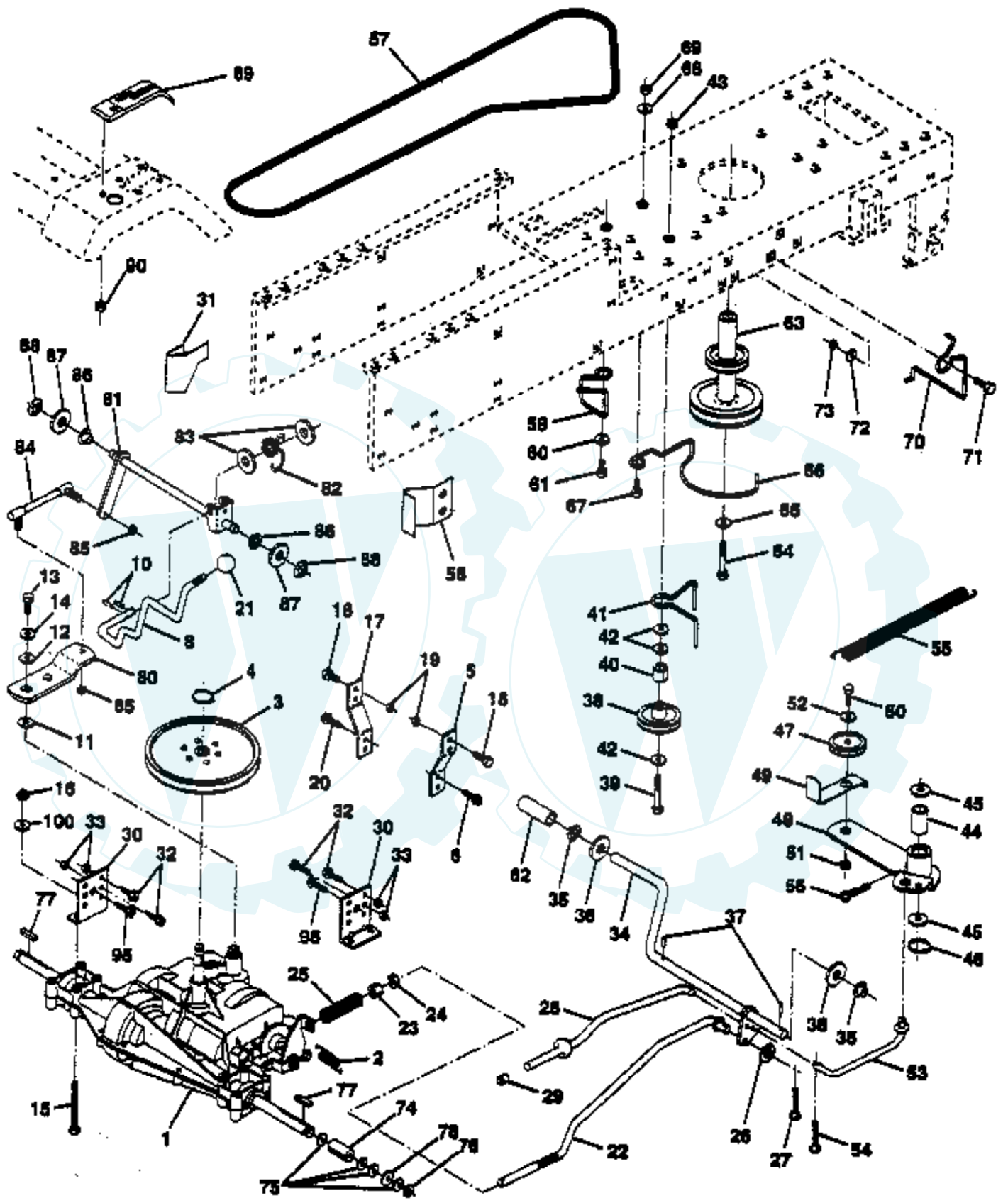
| Ref # | Part Number | Qty | Description                               |
|-------|-------------|-----|---|
| 56    | 532105941   |     | Ring, Retaining                           |
| 57    | 532110071   |     | Gear, Spur, 32 Teeth                      |
| 58    | 532120952   |     | Shaft, Cross                              |
| 59    | 532110082   |     | Gear, Miter, 15 Teeth                     |
| 60    | 532123908   |     | Axle, R.H.                                |
| 61    | 532142680   |     | Housing, Lower                            |
| 62    | 532120961   |     | Puck, Friction                            |
| 63    | 532007294   |     | Disc, Brake                               |
| 64    | 532108989   |     | Spacer                                    |
| 65    | 532120953   |     | Jaw, Brake                                |
| 66    | 532120954   |     | Pin, Dowel                                |
| 67    | 532134799   |     | Screw, Self-Tapping, Large 5/16-18 x 2.25 |
| 68    | 532138244   |     | Lever, Actuating                          |
| 69    | 532108996   |     | Washer, Plain .321 x 1.00 x .055          |
| 70    | 532120956   |     | Bracket, Anti-Rotation                    |
| 71    | 532106596   |     | Screw, Self-Tapping, Large 5/16-18 x 1.44 |
| 72    | 532120951   |     | Puck, Friction                            |
| 73    | 532120416   |     | Grease                                    |





| Ref # | Part Number | Qty | Description                               |
|-------|-------------|-----|---|
| 1     | 532140820   |     | Decal Instruction Dash Eng/fr             |
| 2     | 532121549   |     | Decal Caution Battery Fr/ger              |
| 3     | 532142795   |     | Decal Hood LH                             |
| 4     | 532142794   |     | Decal Hood RH                             |
| 5     | 532135013   |     | Decal Enviro Deck Yellow                  |
| 7     | 532137963   |     | Decal Insert Strg Whl                     |
| 8     | 532133900   |     | Decal Fender Logo                         |
| 9     | 532133795   |     | Decal Caution Fender Eng/fr               |
| 10    | 532101892   |     | Decal Clutch/brake Eng/fr                 |
| 11    | 532137259   |     | Decal Warning Multi-Language              |
| 15    | 532136830   |     | Decal V-Belt Schematic                    |
| 17    | 532129057   |     | Decal HP Engine                           |
|       | 532138311   |     | Decal Handle Lft Height Adjust Not Shown. |
|       | 532140718   |     | Operators Manual Not Shown.               |
|       | 532143702   |     | Parts Manual Not Shown.                   |
|       | 0LBD48      |     | 42" Snow Blade Not Shown.                 |
|       | 0LSB42      |     | 40" Snow Thrower Not Shown.               |
|       | 00LC05      |     | 33lb. Wheel Wts. (Pair) Not Shown.        |
|       | 00MP42      |     | Mulcher Plate Kit 42" Not Shown.          |
|       | 0LA018      |     | Tire Chains Not Shown.                    |

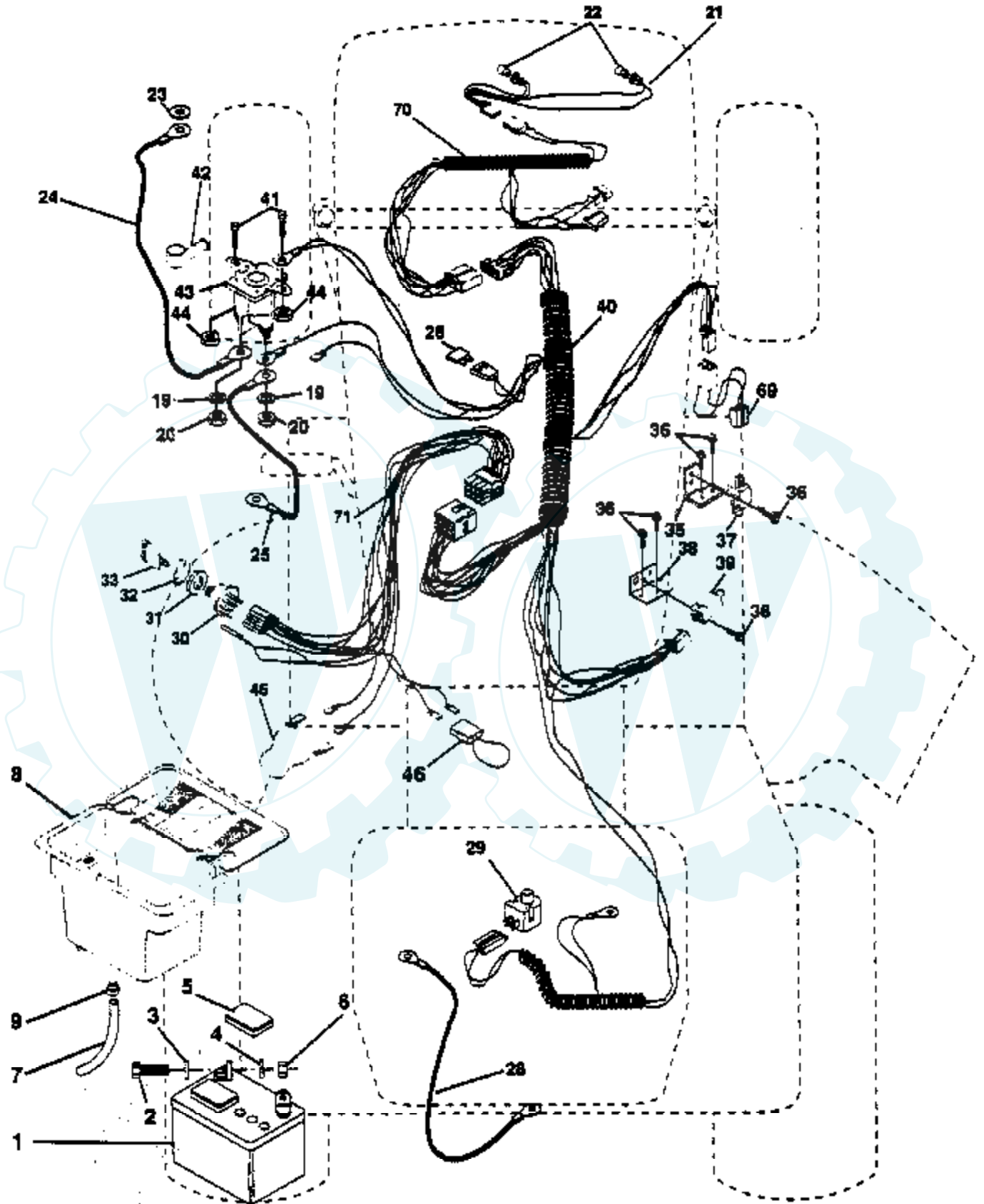




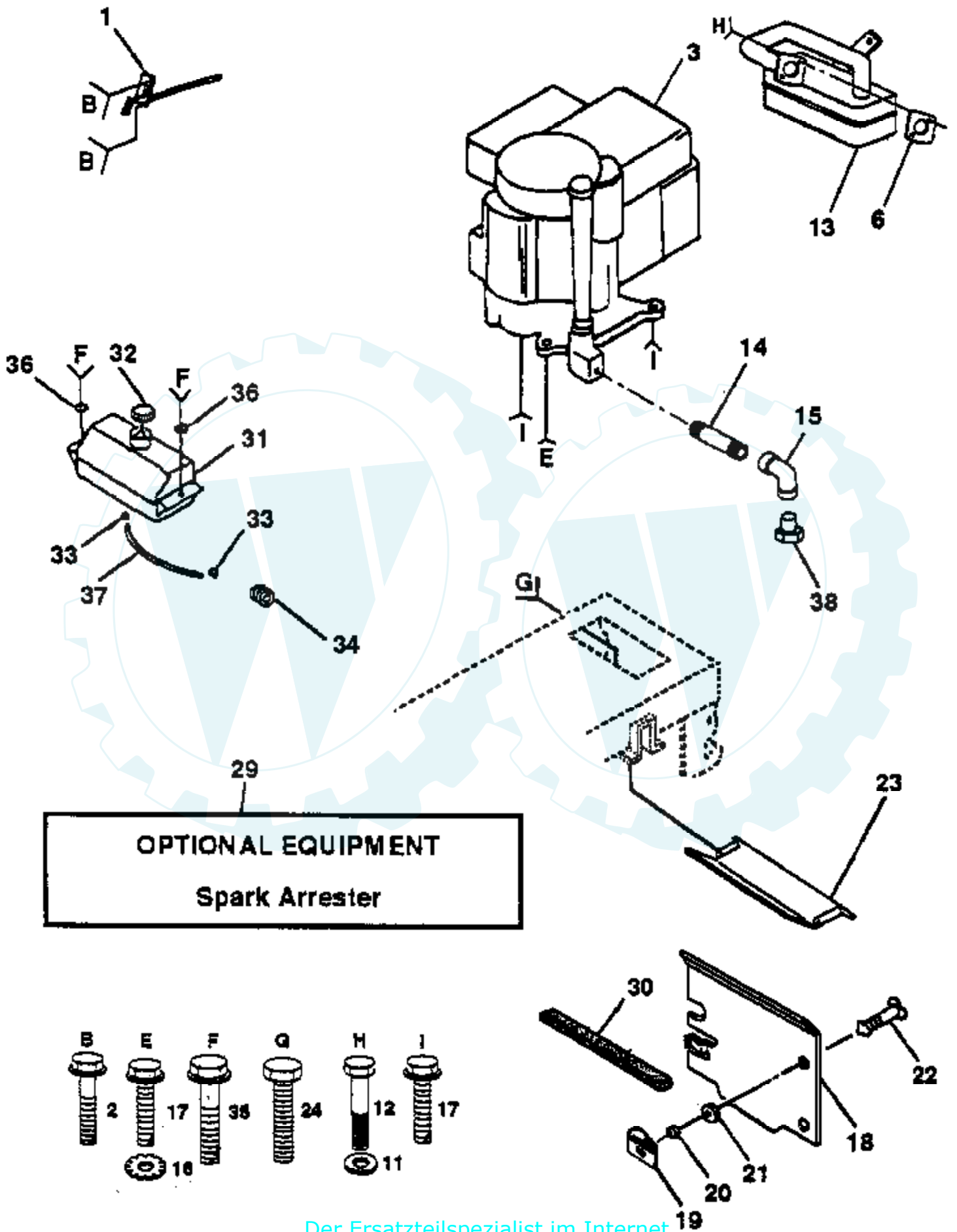


| Ref # | Part Number | Qty | Description                       |
|-------|-------------|-----|-----------------------------------|
| 1     | 532142603   |     | Transaxle 6sp Model No. 4360-79   |
| 2     | 532110422   |     | Spring Return Brake T/a Zinc      |
| 3     | 532123666   |     | Pulley Transaxle 18" tires        |
| 4     | 812000028   |     | Ring Retainer # 5100-62           |
| 5     | 532121520   |     | Strap Torque 30 Degrees           |
| 6     | 817490512   |     | Screw Thdrol 5/16-18 X 3/4 TYT    |
| 8     | 532141003   |     | Rod Shifter                       |
| 10    | 876020416   |     | Pin Cotter 1/8 X 1 Cad            |
| 11    | 532105701   |     | Washer Plate Shf 388 Sq Hole      |
| 12    | 819151216   |     | Washer 9/32 X 3/4 X 10 Ga         |
| 13    | 871040412   |     | Bolt Fin Hex 1/4-28unfx3/4 Gr8    |
| 14    | 810040400   |     | Washer Lock Hvy Helical 1/4       |
| 15    | 874780544   |     | Bolt Fin Hex 5/16 - 18 UNC x 2.75 |
| 16    | 873800500   |     | Nut Hex W/Ins Lock 5/16-18        |
| 17    | 532121520   |     | Strap Torque LT                   |
| 18    | 874780616   |     | Bolt Fin Hex 3/8-16unc X 1 Gr. 5  |
| 19    | 873800600   |     | Nut Hex Lock W/Ins 3/8-16 Unc     |
| 20    | 817490512   |     | Screw Thdrol 5/16-18 X 3/4 TYT    |
| 21    | 532106933   |     | Knob Duckhead 1/2-13 UNC          |
| 22    | 532130804   |     | Rod Brake Blk Zinc 27 326         |
| 23    | 873800600   |     | Nut Lock Hex W/wsh 3/8-16unc      |
| 24    | 873350600   |     | Nut Hex Jam 3/8-16 Unc            |
| 25    | 532106888   |     | Spring Rod Brake 2 00 Zinc        |
| 26    | 819131316   |     | Washer 13/32 X 13/16 X 16 Ga      |
| 27    | 876020412   |     | Pin Cotter 1/8 X 3/4 Cad          |
| 28    | 532140448   |     | Rod Brake Parking LT              |
| 29    | 532071673   |     | Cap Brake Parking Black           |
| 30    | 532130807   |     | Bracket Mtg Transaxle             |
| 31    | 532127275   |     | Keeper Belt LH LT 14 Ga           |
| 32    | 874760512   |     | Bolt Hex Hd 5/16-18unc X 3/4      |
| 33    | 873800500   |     | Nut Hex W/Ins Lock 5/16-18        |
| 34    | 532122424   |     | Shaft Asm Pedal Foot 1 930        |
| 35    | 532120183   |     | Bearing Nylon Blk 629 Id          |
| 36    | 819211616   |     | Washer 21/32 X 1 X 16 Ga          |
| 37    | 532124963   |     | Pin Roll 3/16 X 1"                |
| 38    | 532123674   |     | Pulley Idler Flat                 |
| 39    | 874760644   |     | Bolt Fin Hex 3/8-16unc X 2-3/4    |
| 40    | 532124965   |     | Spacer Split 395 X 59 Bzp         |
| 41    | 532109070   |     | Keeper Belt Retainer              |
| 42    | 819131312   |     | Washer 13/32 X 13/16 X 12 Ga      |
| 43    | 873800600   |     | Nut Lock Hex W/Ins 3/8-16 Unc     |
| 44    | 532105706   |     | Bearing Nyl 503 X 628 X 1 25      |
| 45    | 532110812   |     | Washer Hardened                   |
| 46    | 812000039   |     | Ring Klip #t5304-50               |
| 47    | 532127783   |     | Pulley Idler V Groove Plastic     |
| 48    | 532123789   |     | Bellcrank Asm Clutch              |
| 49    | 532123205   |     | Retainer Belt Style Spring        |
| 50    | 874760624   |     | Bolt Hex Hd 3/8-16unc X 1-1/2     |
| 51    | 873680600   |     | Nut Crownlock 3/8-16 Unc          |
| 52    | 819131316   |     | Washer 13/32 X 13/16 X 16 Ga      |
| 53    | 532105710   |     | Link Clutch 7 66                  |
| 54    | 876020412   |     | Pin Cotter 1/8 X 3/4 Cad          |
| 55    | 532105709   |     | Spring Return Clutch 6 75         |
| 56    | 876020412   |     | Pin Cotter 1/8 X 3/4 Cad          |
| 57    | 532130801   |     | V-Belt Ground Drive 95 25 42"     |
| 58    | 532127274   |     | Keeper Belt RH LT Pnt/zinc 16g    |
| 59    | 532140312   |     | Keeper Belt Chassis Span Ctr      |
| 60    | 819131312   |     | Washer 13/32 X 13/16 X 12 Ga      |

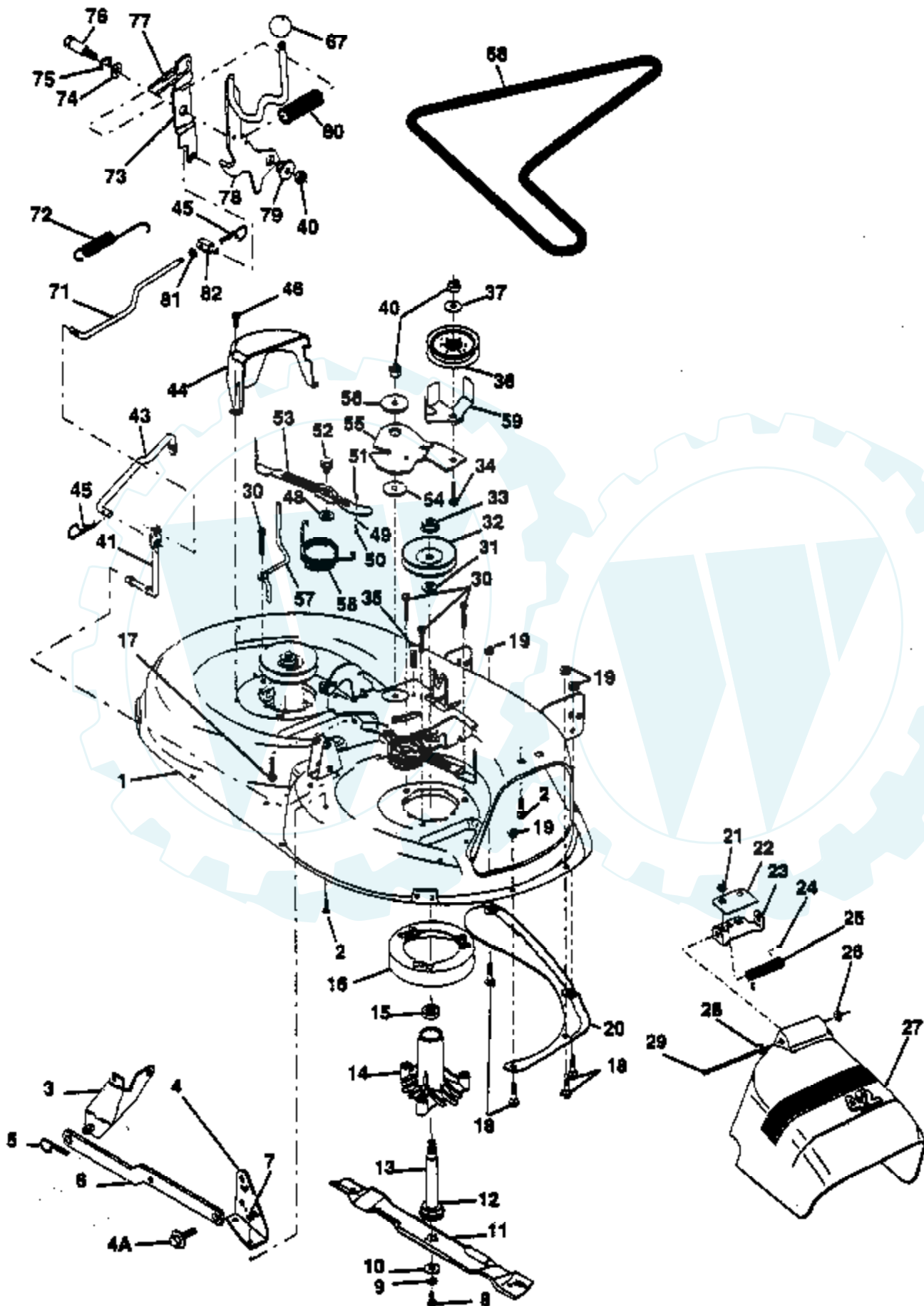
| Ref # | Part Number | Qty | Description                     |
|-------|-------------|-----|---------------------------------|
| 61    | 817490612   |     | Screw Thdrol 3/8-16x3/4 Ty-tt   |
| 62    | 532124872   |     | Cover Pedal Blk Round           |
| 63    | 532140186   |     | Engine Pulley                   |
| 64    | 871170764   |     | Bolt Hex 7/16-20x4 Gr 5         |
| 65    | 810040700   |     | Washer Lock Hvy Hlcl Spr. 7/16  |
| 66    | 532129921   |     | Keeper Belt Engine LH LT        |
| 67    | 874760616   |     | Bolt Fin Hex 3/8-16unc X 1      |
| 68    | 819131312   |     | Washer 13/32 X 13/16 X 12 Ga    |
| 69    | 873680600   |     | Nut Crownlock 3/8-16 Unc        |
| 70    | 532134683   |     | Guide Belt Mower Drive RH       |
| 71    | 874760616   |     | Bolt Fin Hex 3/8-16unc X 1      |
| 72    | 819132012   |     | Washer 13/32 X 1-1/4 X 12 Ga    |
| 73    | 873680600   |     | Nut Crownlock 3/8-16 Unc        |
| 74    | 532109502   |     | Spacer Axle                     |
| 75    | 532121749   |     | Washer 25/32 X 1 1/4 X 16 Ga.   |
| 76    | 812000001   |     | E-ring #5133-75                 |
| 77    | 532123583   |     | Key Square 2 0 X 1845/ 1865     |
| 78    | 532121748   |     | Washer 25/32 X 1-5/8 X 16 Ga.   |
| 80    | 532131488   |     | Arm Shift Transaxle             |
| 81    | 532136932   |     | Shaft Asm. Cross 18" + 42" Deck |
| 82    | 532123782   |     | Spring Torsion T/A              |
| 83    | 819171216   |     | Washer 17/32 x 3/4 x 16 Ga.     |
| 84    | 532132182   |     | Rod Shift Adj. Tie              |
| 85    | 873530400   |     | Nut Nylock 1/4-28               |
| 86    | 532071208   |     | Bushing Rod Strg. 629/632 Id    |
| 87    | 819212016   |     | Washer 21/32 x 1 - 1/4 x 16 Ga. |
| 88    | 812000008   |     | Ring Klip #5304 - 62            |
| 89    | 532139964   |     | Console Shift 6 st LT           |
| 90    | 532124346   |     | Nut Self-thd Wsh-hd 1/4 Zinc    |
| 95    | 817490612   |     | Screw Thdrol 3/8 - 16 x 3/4     |
| 100   | 819111216   |     | Washer 11/32 x 3/4 x 16 Ga.     |



| Ref # | Part Number | Qty | Description                     |
|-------|-------------|-----|---------------------------------|
| 1     | 532121265   |     | Battery 12 Volt 25 AMP          |
| 2     | 874760412   |     | Bolt Hex Hd 1/4-20unc X 3/4     |
| 3     | 819091016   |     | Washer 9/32 X 5/8 X 16 Ga.      |
| 4     | 810040400   |     | Washer Lock Hvy Helical 1/4     |
| 5     | 532121264   |     | Caps Battery 20/25/30 AMP       |
| 6     | 873220400   |     | Nut Fin Hex 1/4-20 Unc          |
| 7     | 532109238   |     | Tube Plastic 12"                |
| 8     | 532129965   |     | Case Battery Hng Mech W/lid     |
| 9     | 532109596   |     | Clamp Hose Olive                |
| 19    | 810090400   |     | Washer Lock 1/4                 |
| 20    | 873350400   |     | Nut Jam Hex 1/4-20 Unc          |
| 21    | 532136850   |     | Harness Asm Light W/4152j       |
| 22    | 532004152   |     | Bulb Light #1156                |
| 23    | 811150400   |     | Washer Lock Internal Tooth 1/4  |
| 24    | 532124780   |     | Cable Battery 6 Ga 11" red      |
| 25    | 532132202   |     | Cable Battery 6 Ga 43" red      |
| 26    | 532108824   |     | Fuse 30 AMP Auto Green          |
| 28    | 532124773   |     | Cable Ground 6 Ga 12" black     |
| 29    | 532121305   |     | Switch Plunger Nc Gray          |
| 30    | 532140301   |     | Switch Ign 4 pos w/lights       |
| 31    | 532124211   |     | Nut Ignition                    |
| 32    | 532141226   |     | Cover Sw Ignition               |
| 33    | 532122147   |     | Key Ign Modleded Generic        |
| 35    | 532108236   |     | Bracket Switch Clutch           |
| 36    | 817021008   |     | Screw Tap Hex #10-24unc X 1/2   |
| 37    | 532104445   |     | Switch Intlk Clutch Red 2 Term  |
| 38    | 532140336   |     | Bracket, Switch, Interlock      |
| 39    | 532109553   |     | Switch Intlk Clutch Red 4 Term  |
| 40    | 532140707   |     | Harness Chassis LT PL Mech      |
| 41    | 871110408   |     | Bolt Blk Fin Hex 1/4 - 20 x 1/2 |
| 42    | 532131563   |     | Cover Terminal Red              |
| 43    | 532138406   |     | Solenoid                        |
| 44    | 873640400   |     | Nut Keps Hex 1/4-20 Unc         |
| 45    | 532140844   |     | Adapter Ammeter Rectangular     |
| 46    | 532141940   |     | Protection Wire Loop            |
| 69    | 532140660   |     | Harness Adapter Serv Geardrive  |
| 70    | 532141163   |     | Harness, Eng.                   |
| 71    | 532140710   |     | Harness Dash Lt Private Lbl     |



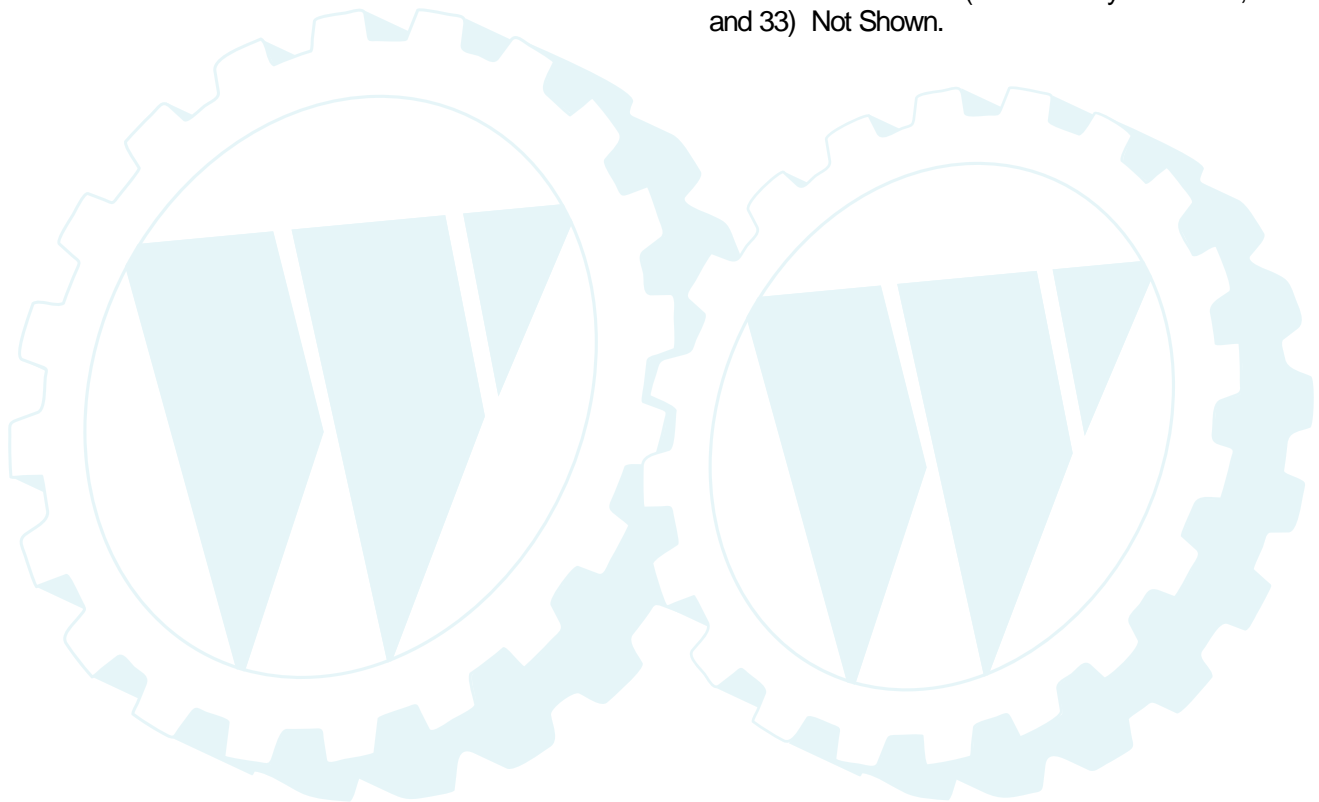
| Ref # | Part Number | Qty | Description                    |
|-------|-------------|-----|--------------------------------|
| 1     | 532140310   |     | Control Th/ch 23 5 LH Flag     |
| 2     | 817720410   |     | Screw Hex Thd Cut 1/4-20x5/8 T |
| 6     | 532125593   |     | Gasket Eng 1 313 Id Tin Plated |
| 11    | 810040500   |     | Washer Lock Hvy Hlcl Spr 5/16  |
| 12    | 871070512   |     | Screw Hexhd Cap 5/16-18x 3/4   |
| 13    | 532137348   |     | Muffler LT B&S 12/12.5/13HP    |
| 14    | 813280324   |     | Nipple Pipe 3/8 Npt X 3"       |
| 15    | 813200300   |     | Elbow Std 90 Degree 3/8-18 Npt |
| 16    | 811050600   |     | Washer Lock Ext Tooth 3/8      |
| 17    | 817490620   |     | Screw Thdrol 3/8-16x1-1/4 TYTT |
| 18    | 532136718   |     | Shield Heat Lt                 |
| 19    | 532105839   |     | Receptacle 1/4 turn            |
| 20    | 532105838   |     | Retainer 1/4 turn              |
| 21    | 819091016   |     | Washer 9/32 x 5/8 x 16 Ga.     |
| 22    | 532123650   |     | Stud 1/4 turn                  |
| 23    | 532128953   |     | Shield Heat Browning LT/YT     |
| 24    | 817021008   |     | Screw Tap Hex #10-24unc X 1/2  |
| 29    | 532137180   |     | Kit Spark Arrestor (Flat Scrm) |
| 30    | 532127057   |     | Pinch Weld Hood Black          |
| 31    | 532140280   |     | Tank Fuel Front 2 00           |
| 32    | 532140527   |     | Cap Asm Fuel W/sym Vented      |
| 33    | 532123487   |     | Clamp Hose Black               |
| 34    | 532124028   |     | Bushing Snap Nyl Blk Fuel Line |
| 35    | 817490412   |     | Screw Hexwsh Thdrol 1/4-20x3/4 |
| 36    | 819091416   |     | Washer 9/32 X 7/8 X 16 Ga      |
| 37    | 532137040   |     | Line Fuel 20"                  |

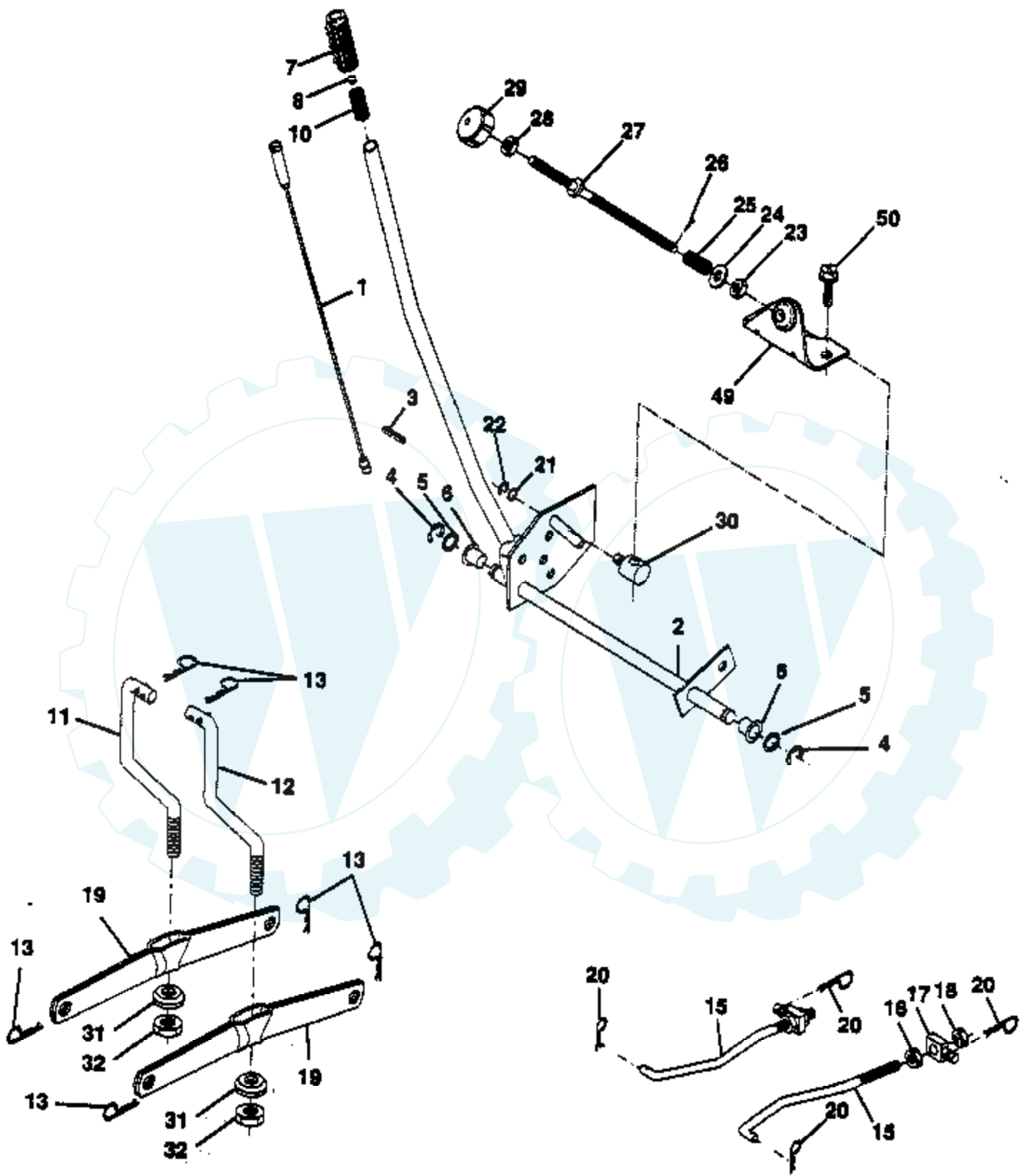


| Ref # | Part Number | Qty | Description                    |
|-------|-------------|-----|--------------------------------|
| 1     | 532140081   |     | Deck Asm MWR 42"weldment       |
| 2     | 872140506   |     | Bolt Rdhd Sqnk 5/16-18unc X3/4 |
| 3     | 532138017   |     | Bracket Asm Fr Sway Bar 38/42  |
| 4     | 532138440   |     | Bracket Asm Deck 42"sway Bar   |
| 4A    | 532132827   |     | Bolt Shoulder                  |
| 5     | 532124670   |     | Retainer Spring                |
| 6     | 532130832   |     | Arm Suspension Rear            |
| 7     | 873800500   |     | Locknut-hex W/ins 5/16-18unc P |
| 8     | 532850857   |     | Bolt 3/8 - 24 X 1.25 Gr 8      |
| 9     | 810030600   |     | Washer Lock Hvy 3/8            |
| 10    | 532140296   |     | Washer Hard Blade Mower Vented |
| 11    | 532134149   |     | Blade Mower Mulching 42"       |
| 12    | 532129895   |     | Bearing Ball #6024 (Mandrel)   |
| 13    | 532137645   |     | Shaft Asm W/lower Bearing      |
| 14    | 532128774   |     | Housing Mandrel Vented         |
| 15    | 532110485   |     | Bearing Ball Mandrel           |
| 16    | 532140329   |     | Stripper Mower Vented          |
| 17    | 872110610   |     | Bolt Rdhd Sqnk 3/8-16 X 1-1/4  |
| 18    | 872140505   |     | Bolt Rdhd Sqnk 5/16-18 X 5/8   |
| 19    | 873800500   |     | Locknut-hex W/ins 5/16-18unc P |
| 20    | 532136888   |     | Baffle Vortex 42               |
| 21    | 873800500   |     | Nut Lock Hex W/Ins 5/16-18     |
| 22    | 532134753   |     | Stiffener Bracket 42"deck      |
| 23    | 532131267   |     | Bracket Deflector Mower 42"    |
| 24    | 532105304   |     | Cap Sleeve 80x 112 Blk Mower   |
| 25    | 532123713   |     | Spring Torsion Deflector 2 52  |
| 26    | 532110452   |     | Nut Push Phos & Oil            |
| 27    | 532130968   |     | Shield Deflector Mower 42" Blk |
| 28    | 819111016   |     | Washer 11/32 X 5/8 X 16 Ga     |
| 29    | 532131491   |     | Rod Hinge 42"6 75 Wlg          |
| 30    | 532138776   |     | Screw Thdrol Hex Head Zinc Mwr |
| 31    | 532129963   |     | Washer Spacer Mower Vented     |
| 32    | 532129861   |     | Pulley Mandrel 42"             |
| 33    | 532137266   |     | Nut 9/16 Toplock Flng Oil Dip  |
| 34    | 872110614   |     | Bolt Rdhd 3/8-16uncx1-3/4 Gr5  |
| 35    | 532133835   |     | Fastner Christmas Tree         |
| 36    | 532131494   |     | Pulley Idler Flat 3 060        |
| 37    | 819131316   |     | Washer 13/32 X 13/16 X 16      |
| 40    | 873800600   |     | Nut Lock Hex W/Ins 3/8-16 Unc  |
| 41    | 532133551   |     | Rod Pivot W/nibs               |
| 43    | 532140083   |     | Rod Clutch Secondary W/nibs    |
| 44    | 532140088   |     | Guard Mandrel LH Black         |
| 45    | 532124788   |     | Spring Retainer 1" Zinc/cad    |
| 46    | 532137729   |     | Screw Hex Thd Cut 1/4-20x5/8 T |
| 48    | 532133944   |     | Washer Hardened Smaller        |
| 49    | 532133940   |     | Roller Asm Cam Follower 42"dec |
| 50    | 532131340   |     | Bolt Shldr 10-24 Zinc Gr 5 42" |
| 51    | 532069180   |     | Nut Lock #10-24 Unc            |
| 52    | 532139888   |     | Bolt Shoulder 5/16-18 Unc Blkz |
| 53    | 532131845   |     | Arm Asm Pad Brake              |
| 54    | 532133943   |     | Washer Hardened                |
| 55    | 532140084   |     | Arm Idler 42"mower LT/YT       |
| 56    | 532122052   |     | Spacer Retainer Pm Mower       |
| 57    | 532140090   |     | Keeper Belt LH Front           |
| 58    | 532140086   |     | Spring Torsion Brakes          |
| 59    | 532141043   |     | Guard TUV Idler                |
| 67    | 532106933   |     | Knob Rd 1/2-13 Plstc Thds Blk  |
| 68    | 532140067   |     | V-Belt Mower 42" 82 625        |

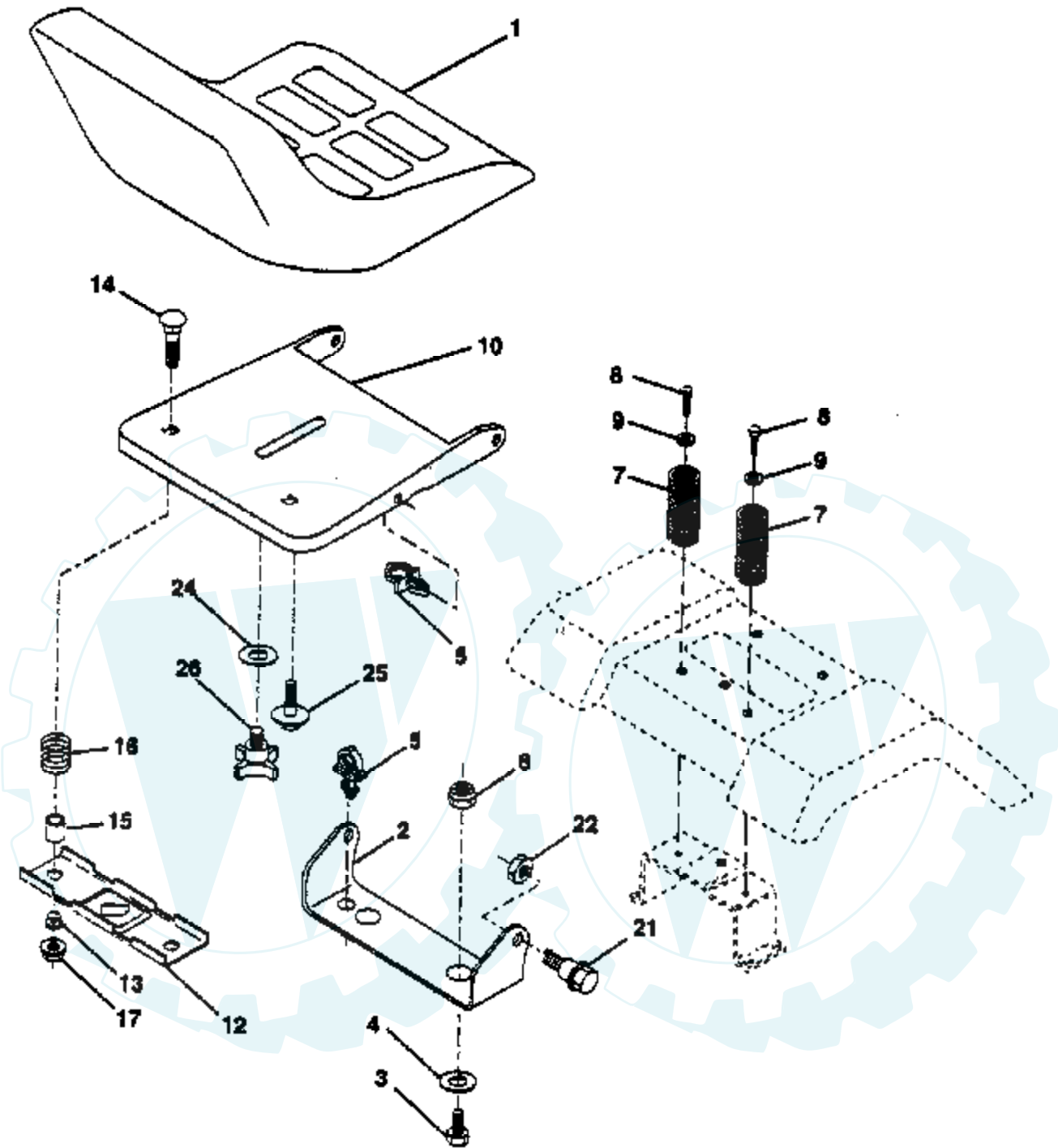


| Ref # | Part Number | Qty | Description   |
|-------|-------------|-----|---|
| 71    | 532142427   |     | Rod Clutch Primary 38/42  |
| 72    | 532131870   |     | Spring Return   |
| 73    | 532127847   |     | Arm Clutch Secondary  |
| 74    | 532121748   |     | Washer 25/32 X 1-5/8 X 16 Ga  |
| 75    | 812000029   |     | Ring Klip #t5304-75   |
| 76    | 532128903   |     | Bolt Shoulder 3/8-16 Unc 1 44   |
| 77    | 532127845   |     | Keeper Spring 4 000   |
| 78    | 532140179   |     | Arm Asm Clutch Primary  |
| 79    | 532127498   |     | Bushing 747 Od X 794 Lg Brass   |
| 80    | 532128759   |     | Spring Clutch Mower 2 750 Zinc  |
| 81    | 873350600   |     | Nut Hex Jam 3/8-16  |
| 82    | 532142028   |     | Trunnion Adj 94   |
|       | 532140475   |     | Deck Serv 42"mch S Bar Mult-Lang Not Shown.                               |
|       | 532130794   |     | Mandrel Asm Service (Includes Key Nos. 8-10, 12-15, 31 and 33) Not Shown. |

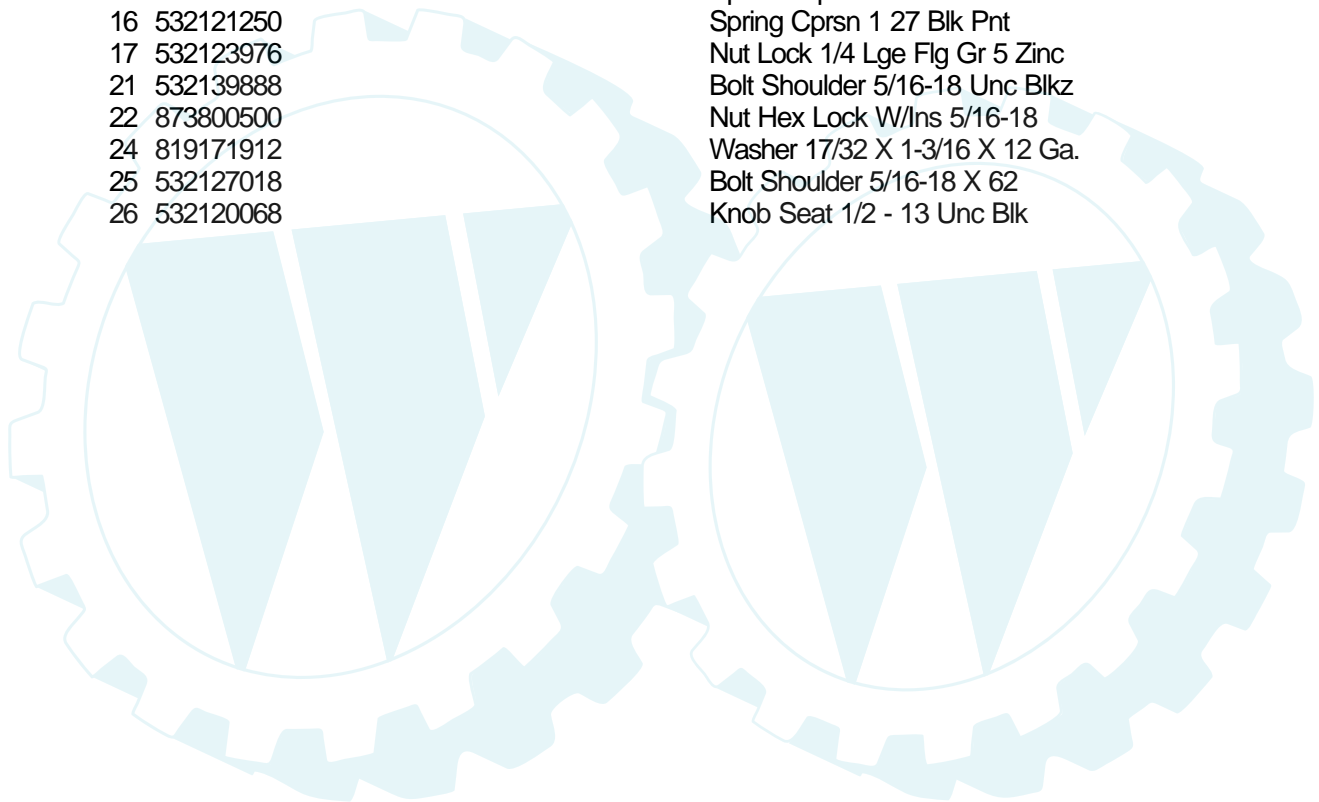


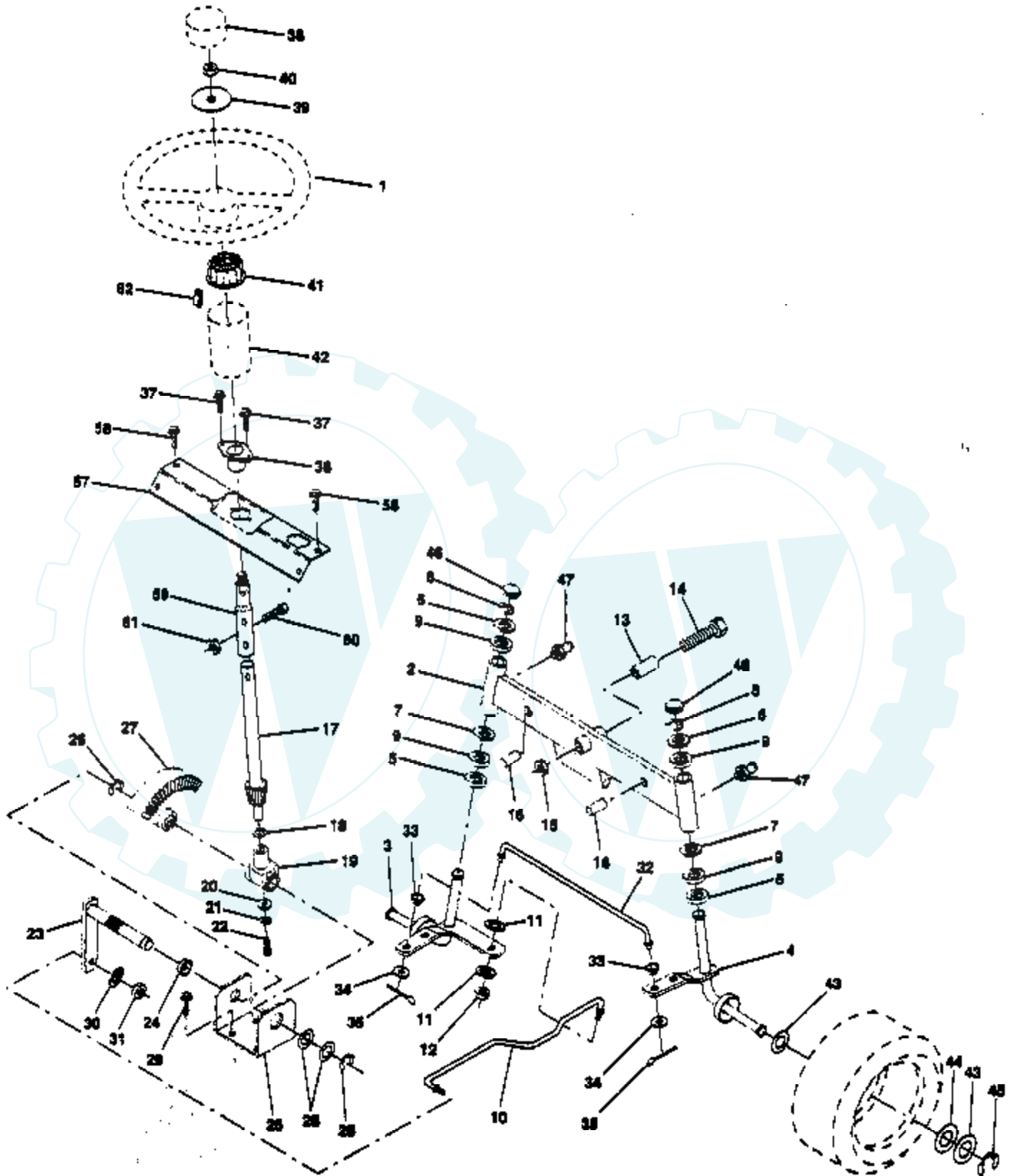


| Ref # | Part Number | Qty | Description                        |
|-------|-------------|-----|------------------------------------|
| 1     | 532136973   |     | Wire Asm Inner W/plunger 17 32     |
| 2     | 532140278   |     | Shaft Asm Lift                     |
| 3     | 532138284   |     | Pin Groove                         |
| 4     | 812000002   |     | E Ring #5133-62                    |
| 5     | 819211621   |     | Washer PLTD 21/32 X 1 X 21ga       |
| 6     | 532120183   |     | Bearing Nylon Blk 629 Id           |
| 7     | 532109413   |     | Grip Handle Bicycle Matte Blk      |
| 8     | 532124526   |     | Button Plunger Black               |
| 10    | 532122512   |     | Spring Cprsn 3 750 Oiled           |
| 11    | 532139865   |     | Link Lift LH                       |
| 12    | 532139866   |     | Link Lift RH                       |
| 13    | 532124670   |     | Retainer Spring                    |
| 15    | 532127218   |     | Link Front                         |
| 16    | 873350800   |     | Nut Jam Hex 1/2-13 Unc             |
| 17    | 532130171   |     | Trunnion Blk Zinc                  |
| 18    | 873800800   |     | Nut Lock W/wsh 1/2-13unc           |
| 19    | 532139868   |     | Arm Suspension Rear                |
| 20    | 532124660   |     | Spring, Retainer                   |
| 21    | 819151216   |     | Washer 15/32 x 3/4 x 16 Ga.        |
| 22    | 812000037   |     | Ring Klip #T534037                 |
| 23    | 532110807   |     | Nut Special                        |
| 24    | 819131016   |     | Washer 13/32 x 5/8 x 16 Ga.        |
| 25    | 532124874   |     | Spring 2-1/8"                      |
| 26    | 876020308   |     | Pin cotter 3/32 x 1/2              |
| 27    | 532126971   |     | Rod adj Lifte zino 7.49 work lg.   |
| 28    | 873350600   |     | Nut Hex Jam 3/8 - 16 Unc.          |
| 29    | 532138057   |     | Knob info 3/8 - 16 Unc. Blk w/sym  |
| 30    | 532110810   |     | Turnnion dp. stop dbl thds plt.    |
| 31    | 532140302   |     | Bearing Pvt. Lift Spherical        |
| 32    | 873810600   |     | Nut Lock 3/8-24 W/Nylon Insert     |
| 49    | 532140168   |     | Bracket Stop inf. Hgt.             |
| 50    | 817490608   |     | Screw thdrol 3/8 - 16 x 1/2 Ty. TT |

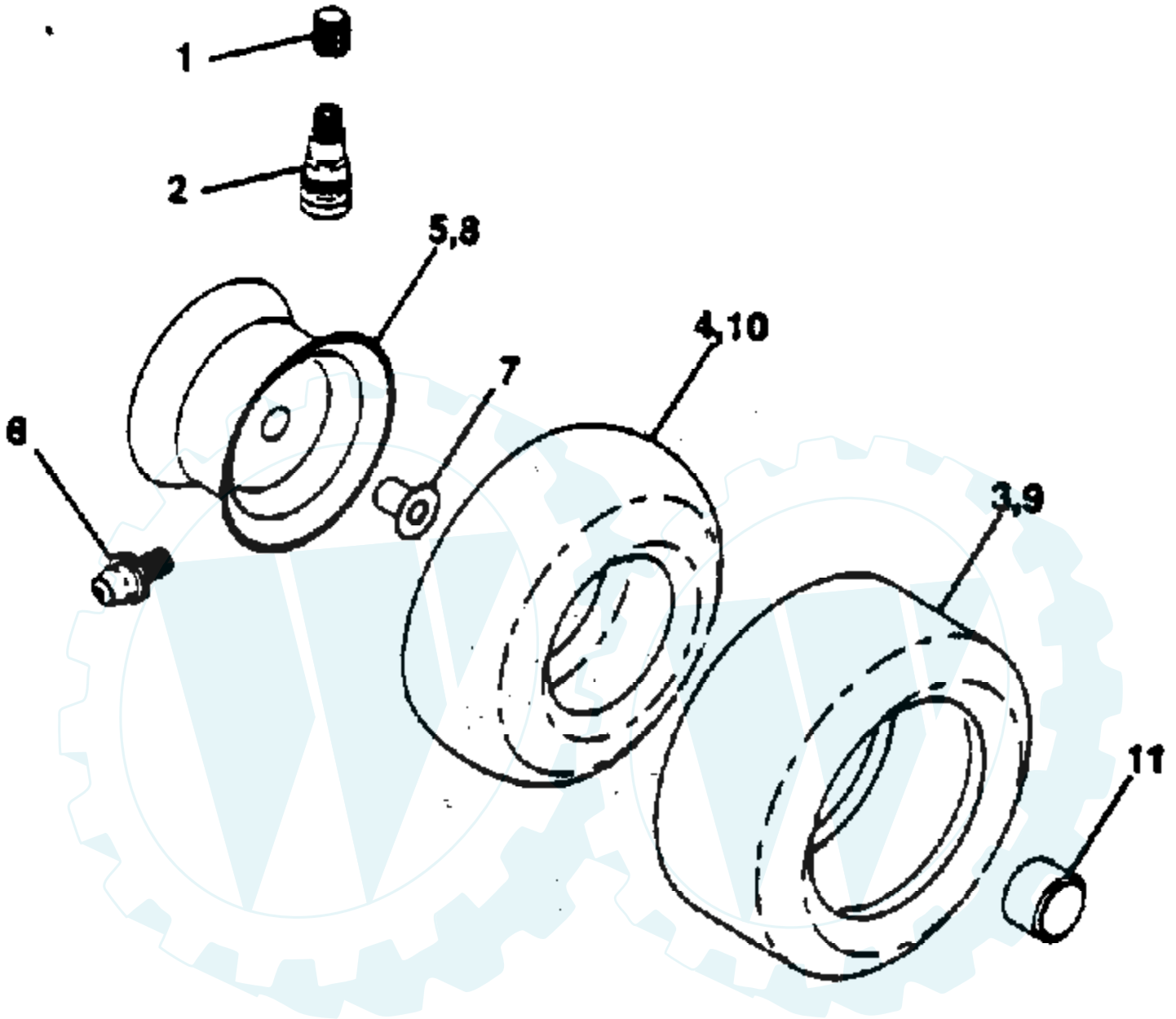


| Ref # | Part Number | Qty | Description                    |
|-------|-------------|-----|--------------------------------|
| 1     | 532127428   |     | Seat V450 Blk/blk Std          |
| 2     | 532140551   |     | Bracket Pivot Seat 8 720       |
| 3     | 874760616   |     | Bolt Fin Hex 3/8-16unc X 1     |
| 4     | 819131610   |     | Washer 13/32 X 1 X 10 Ga       |
| 5     | 532140407   |     | Clip Push-In                   |
| 6     | 873680600   |     | Nut Crownlock 3/8-16 Unc       |
| 7     | 532124181   |     | Spring Seat Cprsn 2 250 Blk Zi |
| 8     | 817490616   |     | Screw Thdrol 3/8-16 X 1 Ty-tt  |
| 9     | 819131614   |     | Washer 13/32 X 1 X 14 Ga.      |
| 10    | 532140552   |     | Pan Seat                       |
| 12    | 532121246   |     | Bracket Mounting Switch        |
| 13    | 532121248   |     | Bushing Snap Blk Nyl 50 Id     |
| 14    | 872050411   |     | Bolt Rdhd Sht Nk 1/4-20x1-3/8  |
| 15    | 532134300   |     | Spacer Split 28x 96 Yel Zinc   |
| 16    | 532121250   |     | Spring Cprsn 1 27 Blk Pnt      |
| 17    | 532123976   |     | Nut Lock 1/4 Lge Flg Gr 5 Zinc |
| 21    | 532139888   |     | Bolt Shoulder 5/16-18 Unc Blkz |
| 22    | 873800500   |     | Nut Hex Lock W/Ins 5/16-18     |
| 24    | 819171912   |     | Washer 17/32 X 1-3/16 X 12 Ga. |
| 25    | 532127018   |     | Bolt Shoulder 5/16-18 X 62     |
| 26    | 532120068   |     | Knob Seat 1/2 - 13 Unc Blk     |





| Ref # | Part Number | Qty | Description                       |
|-------|-------------|-----|-----------------------------------|
| 1     | 532121472   |     | Wheel Steering Auto Blk           |
| 2     | 532142033   |     | Axle Asm Fr LT W/gzks 38/42       |
| 3     | 532135227   |     | Spindle Asm LH                    |
| 4     | 532135228   |     | Spindle Asm RH                    |
| 5     | 532124931   |     | Bearing Race Thrust Harden        |
| 6     | 532121748   |     | Washer 25/32 X 1-5/8 X 16 Ga      |
| 7     | 819272016   |     | Washer 27/32 X 1-1/4 X 16 Ga      |
| 8     | 812000029   |     | Ring Klip #t5304-75               |
| 9     | 532124937   |     | Bearing Col Strg Blk              |
| 10    | 532130468   |     | Link Drag Sol Ball Jt 20 064      |
| 11    | 810040600   |     | Washer Lock Hvy Hlcl Spr 3/8      |
| 12    | 873610600   |     | Nut Fin Hex 3/8-24 Unf            |
| 13    | 532110438   |     | Spacer Bearing Axle Front         |
| 14    | 874011056   |     | Bolt Hex 5/8-11 Unc X 3-1/2       |
| 15    | 873901000   |     | Nut Lock Flange 5/8-11 Unc        |
| 16    | 532132624   |     | Pin Axle 5/8 X 1 55/1 54 Lg       |
| 17    | 532140176   |     | Shaft Asm Strg Private Label      |
| 18    | 532057079   |     | Washer Thrust 515x 750x 033       |
| 19    | 532124035   |     | Support Shaft                     |
| 20    | 532126684   |     | Washer Shim 1/4 X 5/8 X 062       |
| 21    | 810040400   |     | Washer Lock Hvy Helical 1/4       |
| 22    | 871070410   |     | Screw Hex Socket 1/4-20 X 5/8     |
| 23    | 532127501   |     | Shaft Asm Pittman                 |
| 24    | 532109816   |     | Nyliner Snap In                   |
| 25    | 532124036   |     | Bracket Steering                  |
| 26    | 812000029   |     | Ring Klip #t5304-75               |
| 27    | 532136874   |     | Gear Sector                       |
| 28    | 532124931   |     | Bearing Race Thrust Harden        |
| 29    | 817490612   |     | Screw Thdrol 3/8-16x3/4 Ty-tt     |
| 30    | 810040600   |     | Washer Lock Hvy Hlcl Spr 3/8      |
| 31    | 873610600   |     | Nut Fin Hex 3/8-24 Unf            |
| 32    | 532130465   |     | Rod Tie Wire Form 19 75 Mech      |
| 33    | 543126847   |     | Bushing Link Drag Blk LR          |
| 34    | 819131416   |     | Washer 13/32 X 7/8 X 16 Ga        |
| 35    | 876020412   |     | Pin Cotter 1/8 X 3/4 Cad          |
| 36    | 532102803   |     | Bushing Strg                      |
| 37    | 817431008   |     | Screw Slftp #10-16 X 1/2 Ty-b     |
| 38    | 532126805   |     | Insert Cap Strg Wh Au             |
| 39    | 819133808   |     | Washer 13/32 X 2-3/8 X 8 Ga       |
| 40    | 532124701   |     | Nut Lock Center 3/8-24unf         |
| 41    | 532104820   |     | Adaptor Wheel Strg 640/ 635id     |
| 42    | 532140216   |     | Boot Steering Shaft               |
| 43    | 532121749   |     | Washer 25/32 X 1 1/4 X 16 Ga      |
| 44    | 532121748   |     | Washer 25/32 X 1-5/8 X 16 Ga      |
| 45    | 812000029   |     | Ring Klip #t5304-75               |
| 46    | 532121232   |     | Cap Spindle Fr Top Blk            |
| 47    | 532124836   |     | Fitting Grease                    |
| 57    | 532140172   |     | Support Shaft Steering            |
| 58    | 817490412   |     | Screw Hex Wsh Thdrol 1/4-20 x 3/4 |
| 59    | 532140171   |     | Shaft Extention Steering          |
| 60    | 874780520   |     | Bolt Fin Hex 5/16-18 Unc x 1-1/4  |
| 61    | 873800500   |     | Nut Lock Hex w/Ins 5/16-18        |
| 62    | 532140285   |     | Clip Tinnerman                    |





| Ref # | Part Number | Qty | Description                       |
|-------|-------------|-----|-----------------------------------|
| 1     | 532059192   |     | Cap Valve Tire                    |
| 2     | 532065139   |     | Stem Valve                        |
| 3     | 532106222   |     | Tire F Ts 15 X 6 0 - 6 Service    |
| 4     | 532059904   |     | Tube Front (Service Item Only)    |
| 5     | 532141446   |     | Rim Asm 6"front White Service     |
| 6     | 532124957   |     | Fitting Grease (Front Wheel Only) |
| 7     | 532124959   |     | Bearing Flange (Front Wheel Only) |
| 8     | 532141447   |     | Rim Asm 8"rear White Service      |
| 9     | 532106268   |     | Tire R Ts 18x8 5-8 C Service      |
| 10    | 532124926   |     | Tube Rear (Service Item Only)     |
| 11    | 532104757   |     | Cap Axle Blk 1 50 X 1 00          |

