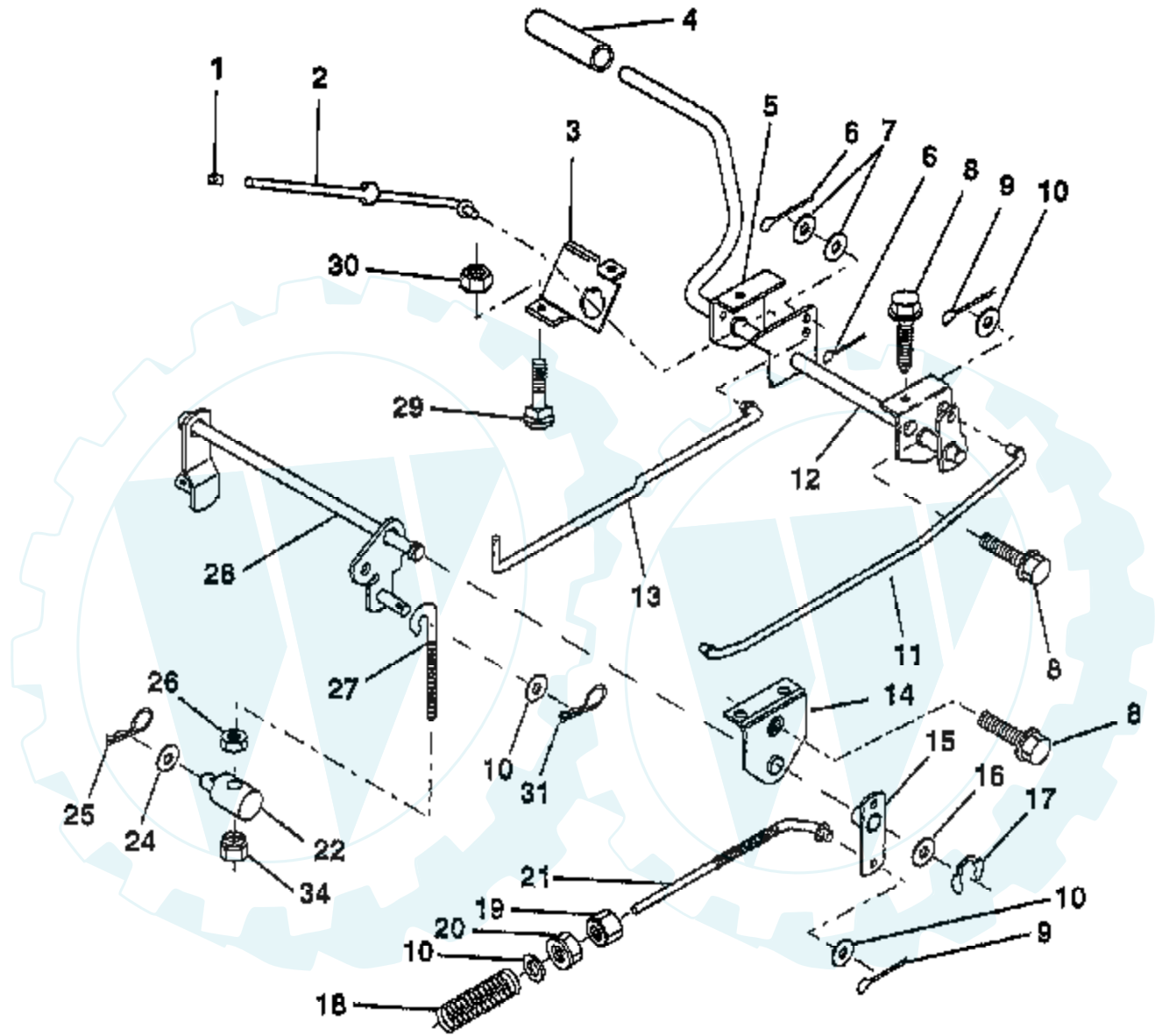
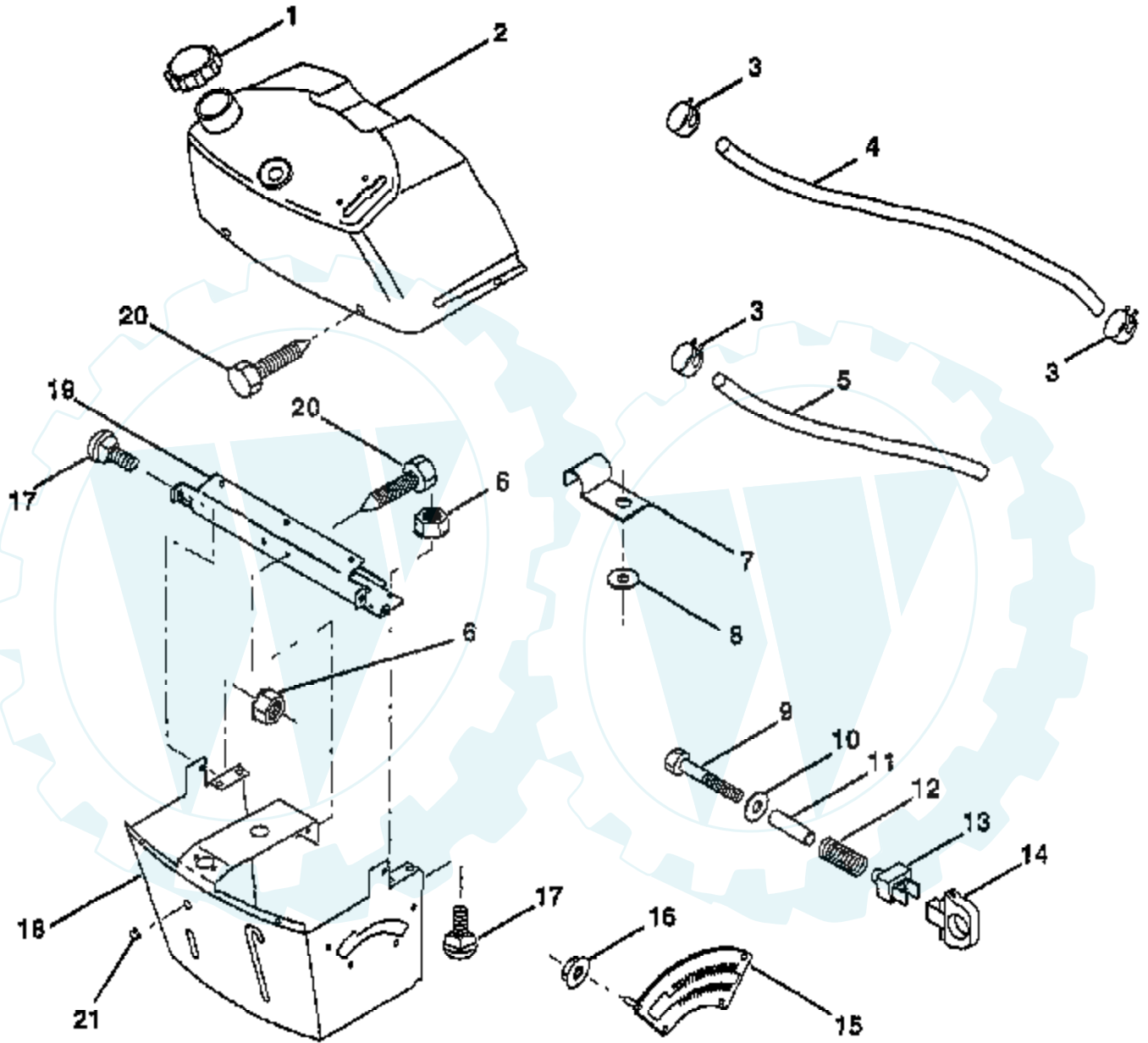


TRACTOR - MODEL NO. PP11536, (PP11536A) PRODUCT NO. 954 19 00-09 BRAKE / REAR MOWER LIFT ASSEMBLY

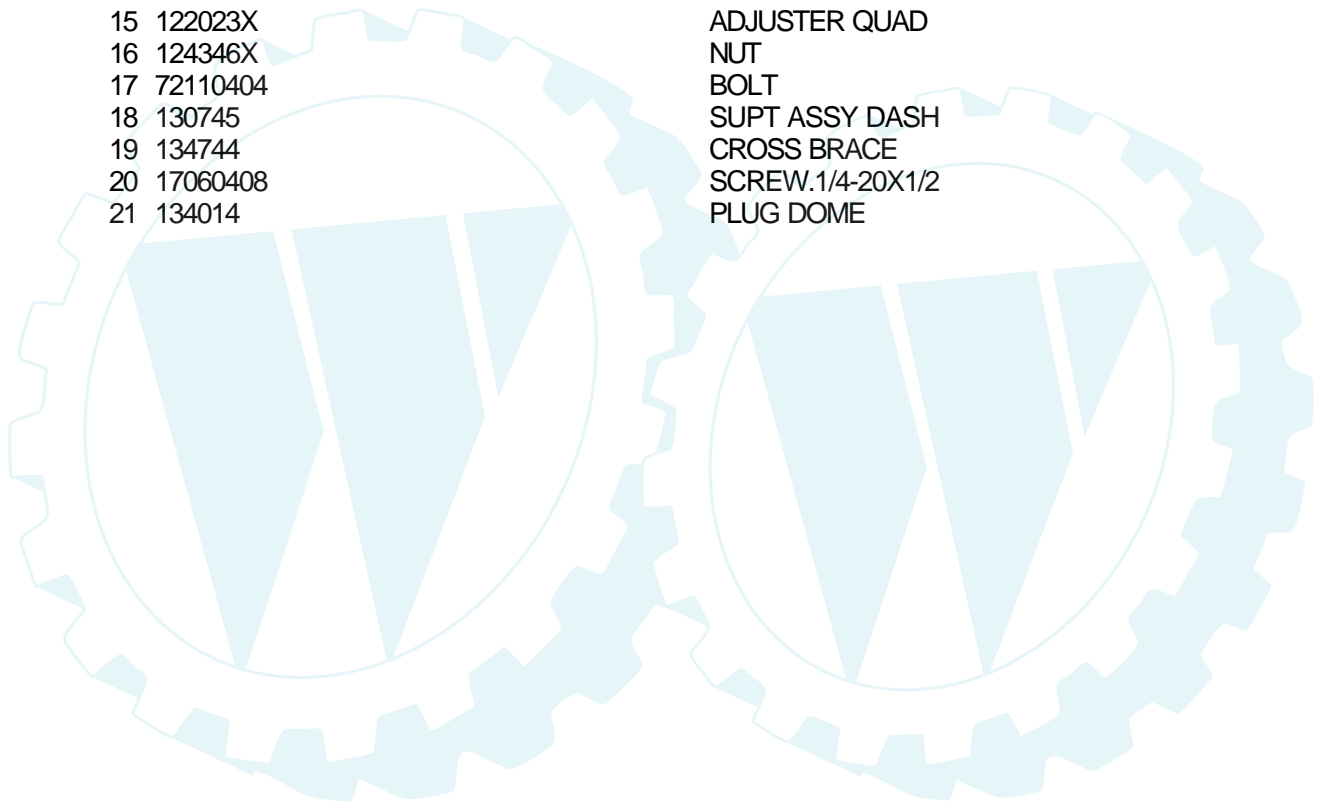


Ref #	Part Number	Qty	Description
1	71673		PLUNGER CAP T
2	123436X		"ROD,PARK BRAKE"
3	123437X		"BRKT,PARK BRAKE"
4	8883R		PEDAL COVER T
5	122504X		"BRKT,CLU PEDAL LH"
6	76020312		SUB= 3145
7	19131016		WASHER
8	17490508		SCREW LT
9	76020412		COTTER PIN
10	19131316		WASHER
11	123543X		"ROD,FRT BRAKE"
12	139933		PEDAL ASM CL/BK36
13	123394X		"ROD,CLUTCH"
14	121978X		"BRKT,LIFT SHAFT"
15	133332		PVT BRAKE ARM ASM
16	19251816		WASHER T
17	12000034		KLIP RING
18	151332		SPRING ROD BRAKE
19	73350600		NUT
20	73800600		NUT
21	131460		SUB= 532131460
22	144585		TRUNNION.LIFT.
24	19132012		WASHER
25	4921H		SPRING.RETAINER
26	73930600		LOCKNUT
27	127369		"LINK, MOWER REAR"
28	140776		LIFT ASM MOW REAR
29	72110506		SUB= 72270506
30	73510500		NUT
31	3146R		RETAINER.SPRING
34	73680600		SUB= 73690600

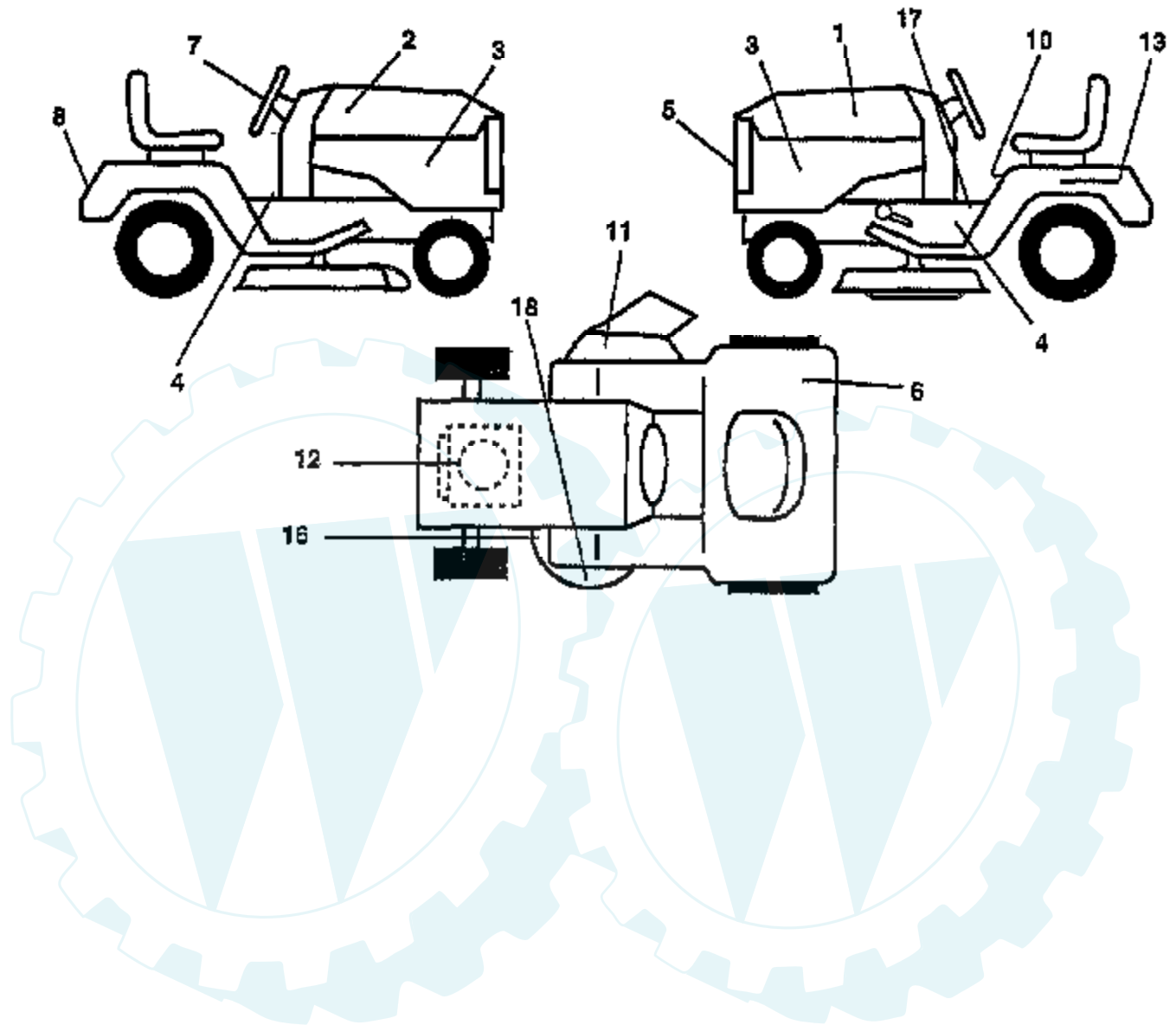
TRACTOR - MODEL NO. PP11536, (PP11536A) PRODUCT NO. 954 19 00-09
DASH



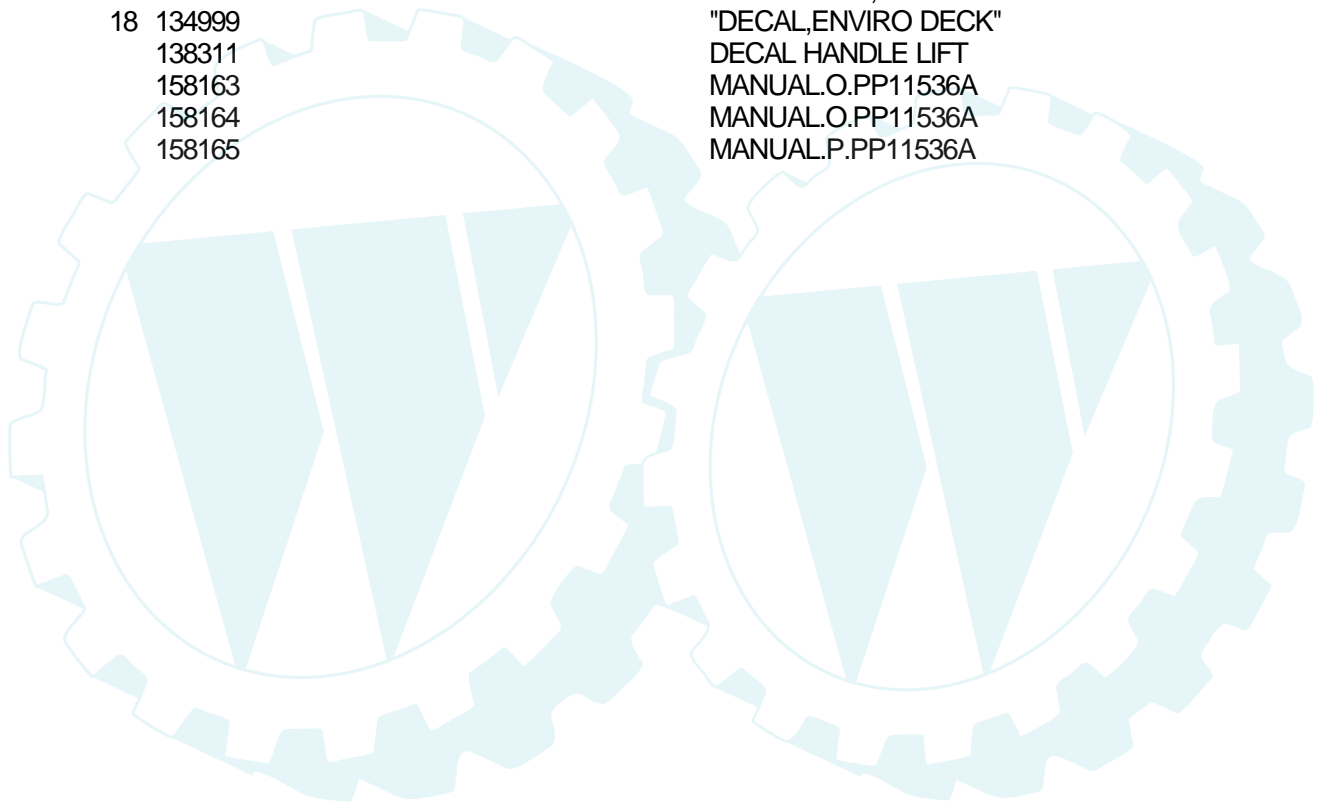
Ref #	Part Number	Qty	Description
1	141523		CAP BLK FUEL LR
2	138393		TANK.ASM.DASH.LR
3	123487X		HOSE CLAMP
4	8544R		SUB= 295J
5	8548R		FUEL LINE T
6	73640400		NUT HXKEP 1/4X20
7	2751R		CLIP T
8	19091216		WASHER PM
9	74760428		BOLT
10	19091413		WASHER
11	121249X		SPACER SPLIT
12	3720R		SPRING M
13	126450X		"KNOB,HGT RETAINER"
14	126115X		KNOB
15	122023X		ADJUSTER QUAD
16	124346X		NUT
17	72110404		BOLT
18	130745		SUPT ASSY DASH
19	134744		CROSS BRACE
20	17060408		SCREW.1/4-20X1/2
21	134014		PLUG DOME



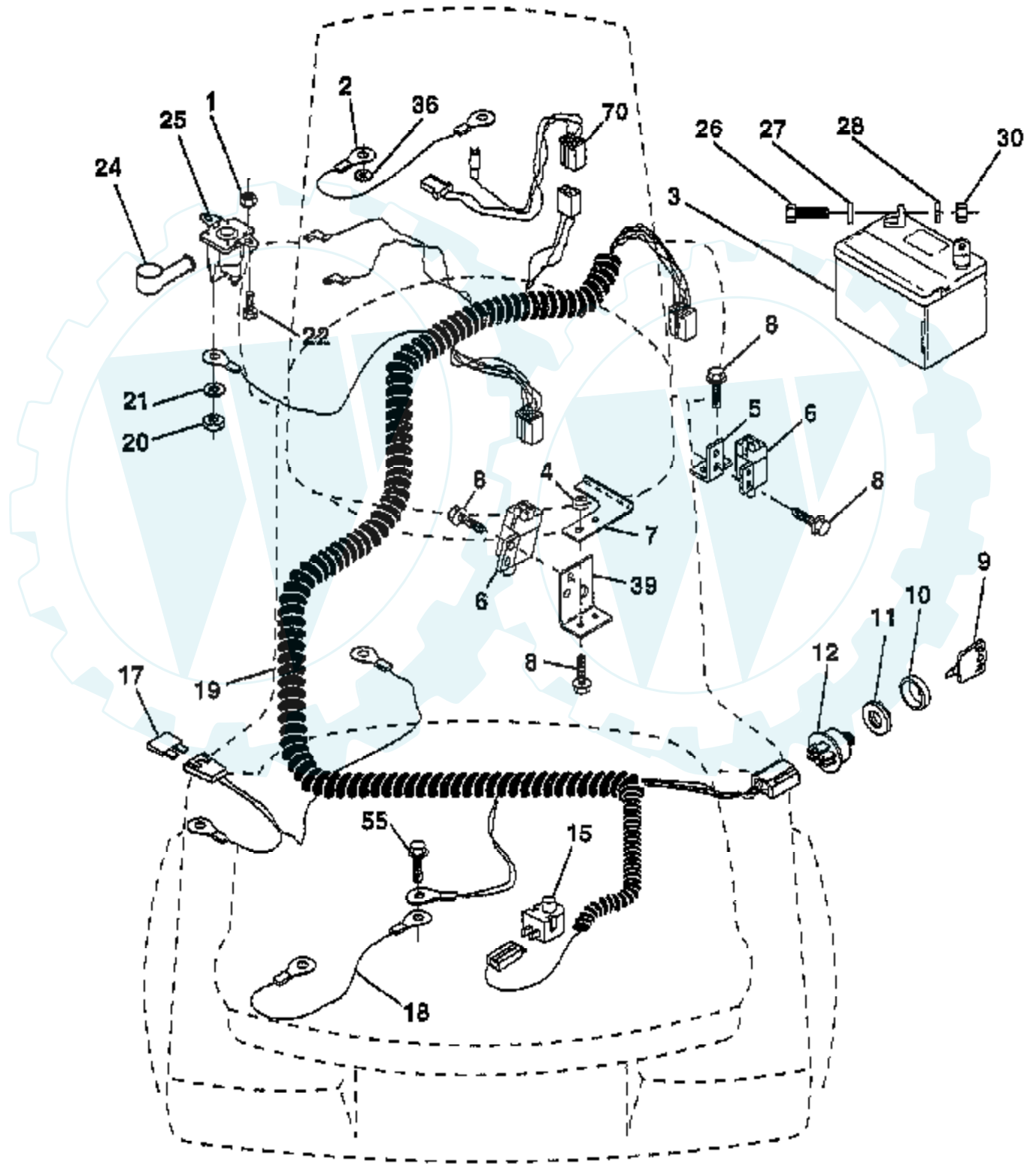
**TRACTOR - MODEL-NO. PP11536, (PP11536A) PRODUCT NO. 954 19 00-09
DECALS**



Ref #	Part Number	Qty	Description
1	151122		DECAL HOOD LH
2	151121		DECAL HOOD RH
3	158386		DECAL DOMED
4	151123		DECAL CHASSIS
5	127630		DECAL, GRILLE
6	150496		RETAINER-SPRING
7	143019		DECAL, INSERT STG WHL
8	133900		DECAL, FENDER
10	157198		"DECAL FENDER,DANG"
11	137259		"DECAL, WARNING"
12	272511		DECAL, B&S 11.5 HP IC
13	145005		DECAL.BATRY.3-3908
16	136830		DECAL.V.BELT
17	157110		"DECAL INST,OPER"
18	134999		"DECAL,ENVIRO DECK"
	138311		DECAL HANDLE LIFT
	158163		MANUAL.O.PP11536A
	158164		MANUAL.O.PP11536A
	158165		MANUAL.P.PP11536A

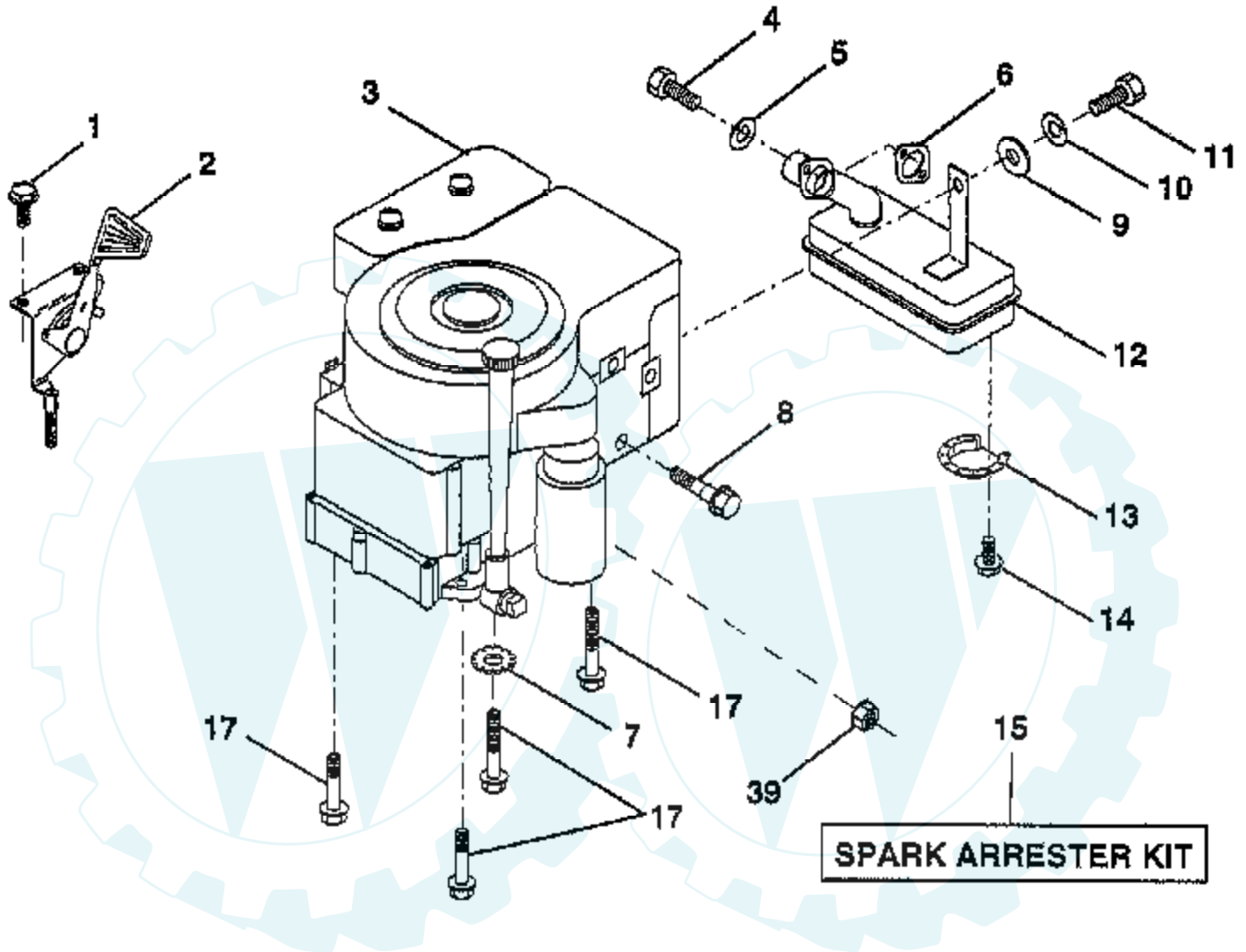


TRACTOR - MODEL NO. PP11536, (PP11536A) PRODUCT NO. 954 19 00-09
ELECTRICAL

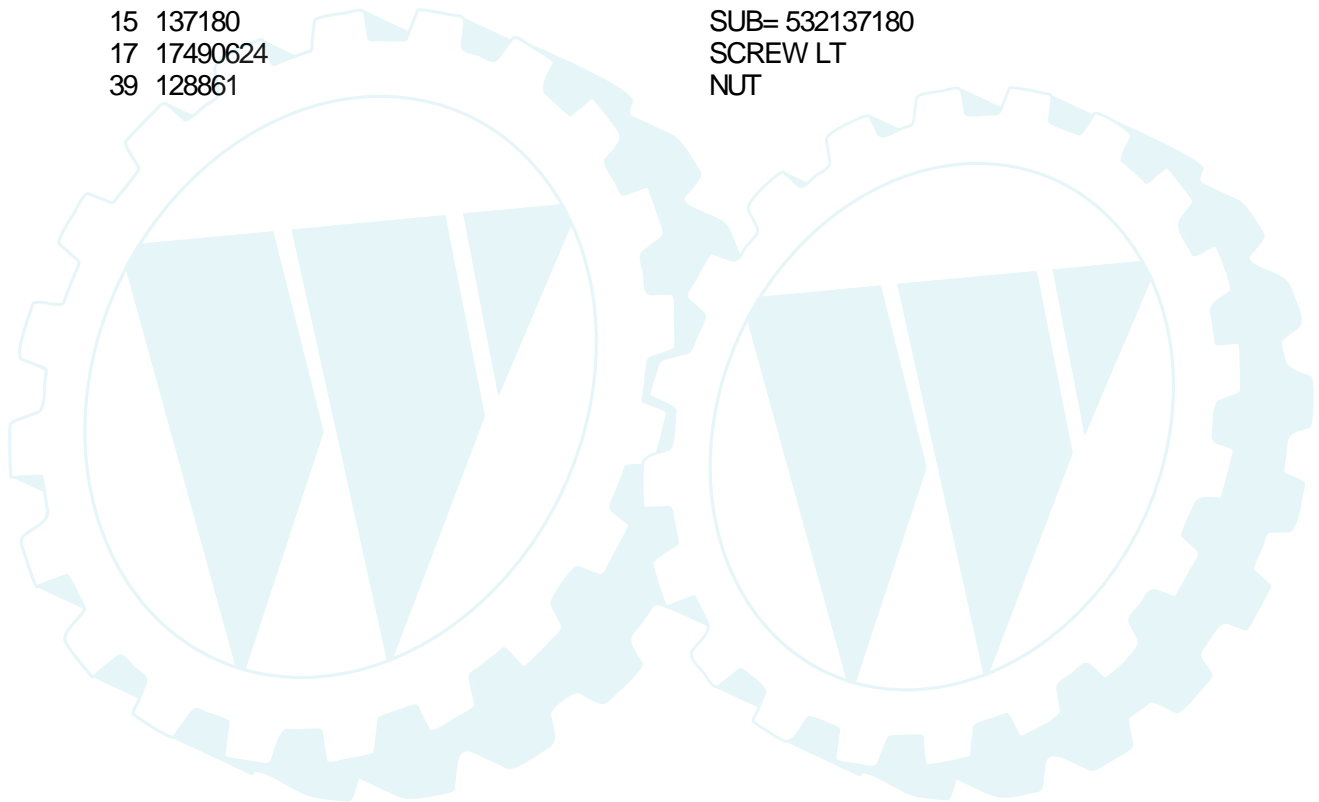


Ref #	Part Number	Qty	Description
1	73640400		NUT HXKEP 1/4X20
2	108423X		CABLE ASM.
3	144924		SUB= 123899X
4	69180		LOCKNUT
5	108236X		BRACKET LT
6	109553X		SWITCH INTERLOCKT
7	146374		KEEPER.ACTUAT.LR.
8	17021008		SCREW
9	140401		KEY MLD GEN DELTA
10	141226		COVER KEY SWITCH
11	140400		SUB= 145774
12	144921		SUB= 163088
15	121305X		SWITCH SEAT
17	108824X		FUSE HYT
18	128353		CABLE ASSY
19	146063		HARNESS.IGN.FEND.
20	73350400		NUT
21	10090400		SUB= 10040400
22	71110408		BOLT HXHD FIN
24	131563		SUB= 154336
25	145653		MANUAL.OP.GEN.RTA
26	74760412		BOLT LT
27	19091016		WASHER
28	10040400		LOCKWASHER
30	73220400		SUB= 50675
36	11150400		LOCKWASHER
39	141735		BRACKET SWT CLUTC
55	17490508		SCREW LT
70	140413		HARNESS ENG DUAL

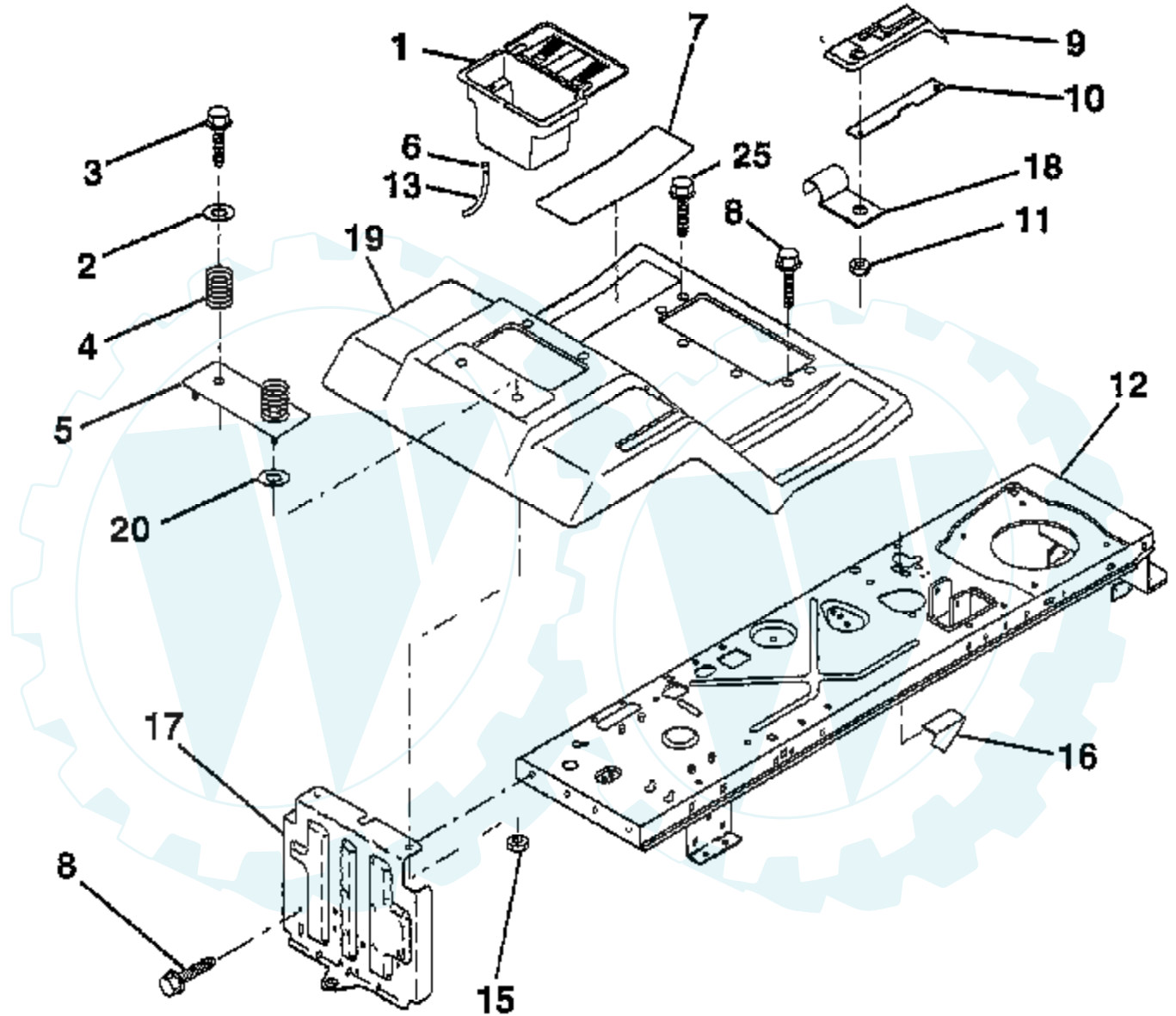
**TRACTOR - MODEL NO. PP11536, (PP11536A) PRODUCT NO. 954 19 00-09
ENGINE**



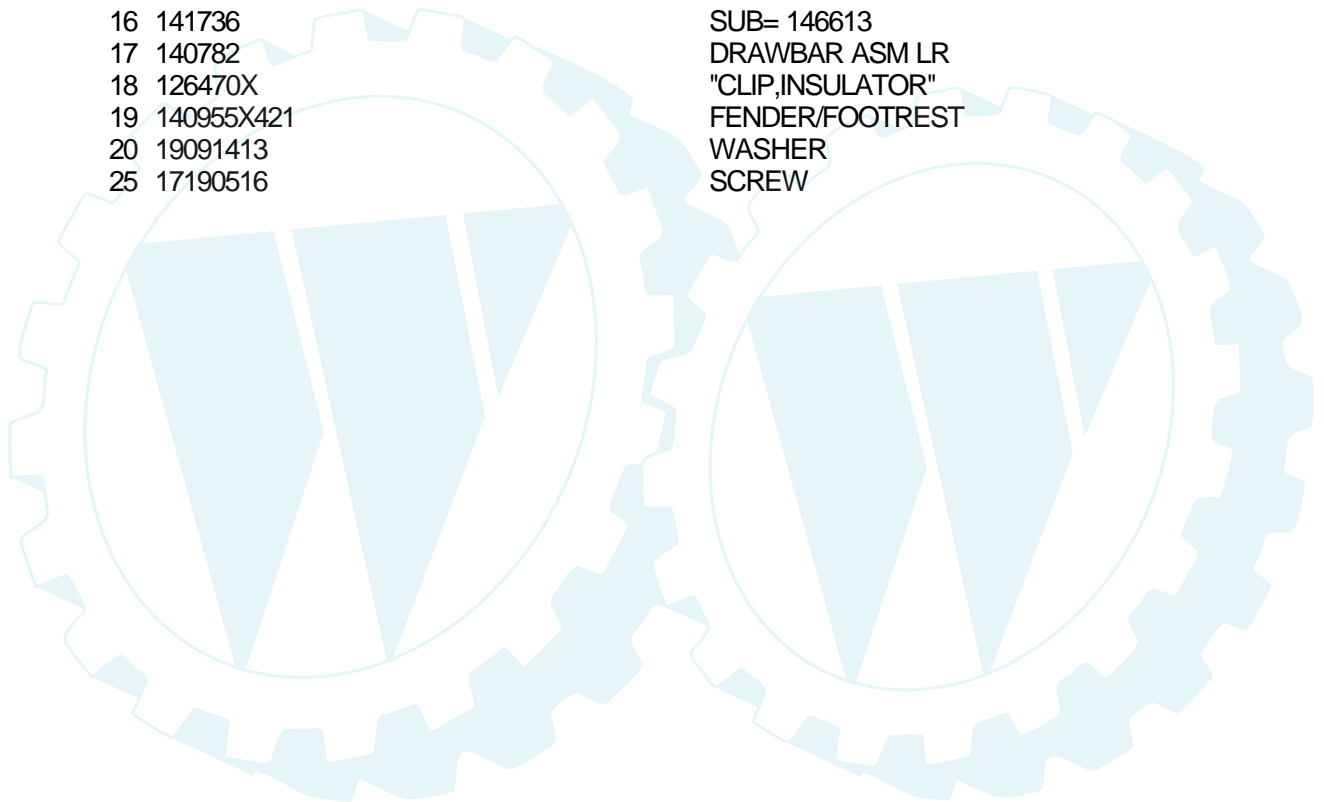
Ref #	Part Number	Qty	Description
1	17060408		SCREW.1/4-20X1/2
2	132752		"CONTROL,THROTTLE"
3	289707		ENGINE B&S
4	71070512		SCREW
5	10040500		LOCKWASHER
6	272293		GASKET ENG 1 313 LD TIN PLATED
7	11050600		LOCKWASHER
8	121094X		BOLT T
9	19101216		WASHER
10	10040400		LOCKWASHER
11			REFER TO IMAGE
12	137437		MUFFLER
13	101326L		DEFLECTOR.222573
14	17030808		SUB= 17030814
15	137180		SUB= 532137180
17	17490624		SCREW LT
39	128861		NUT



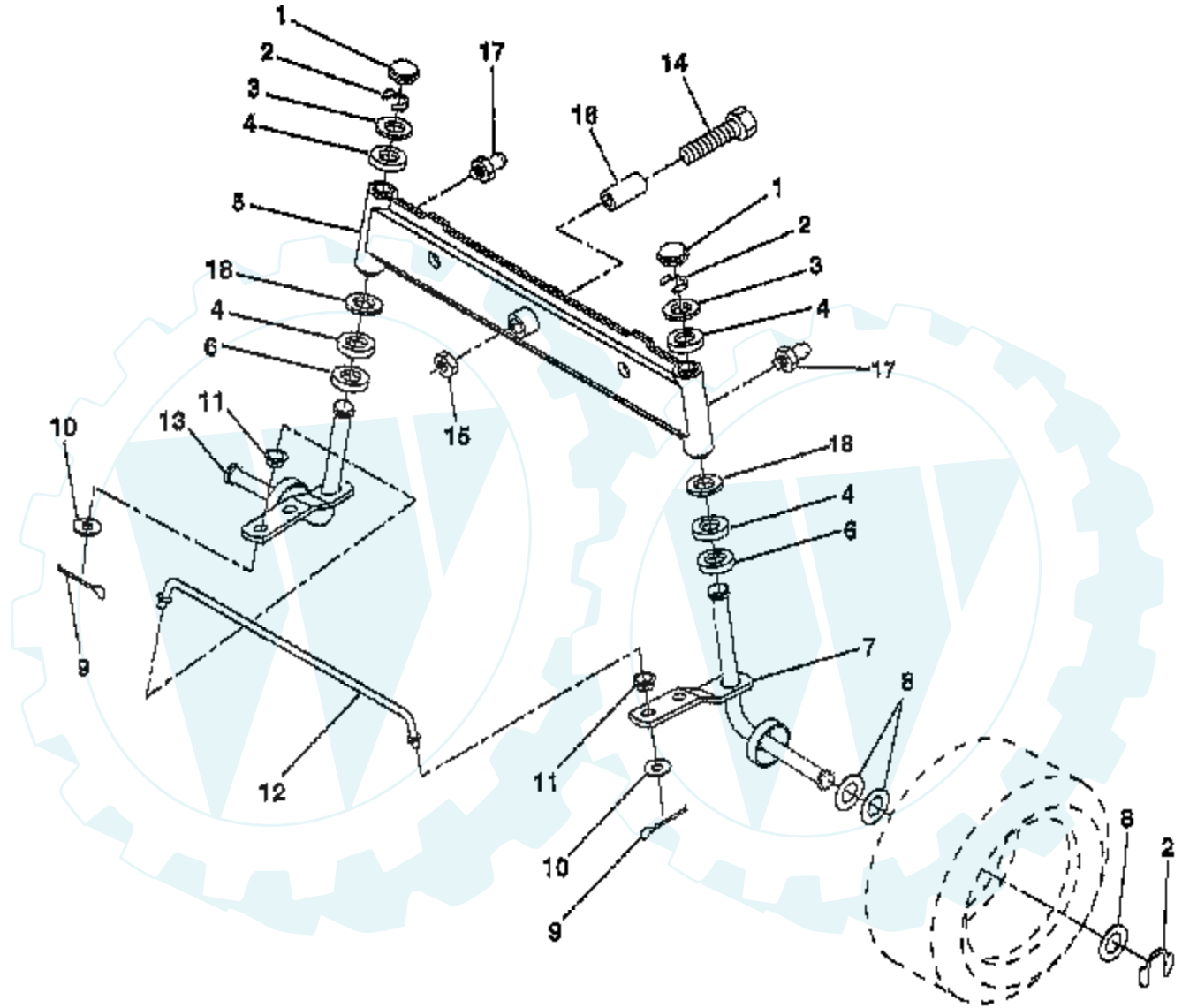
TRACTOR - MODEL NO. PP11536, (PP11536A) PRODUCT NO. 954 19 00-09
FENDER / CHASSIS



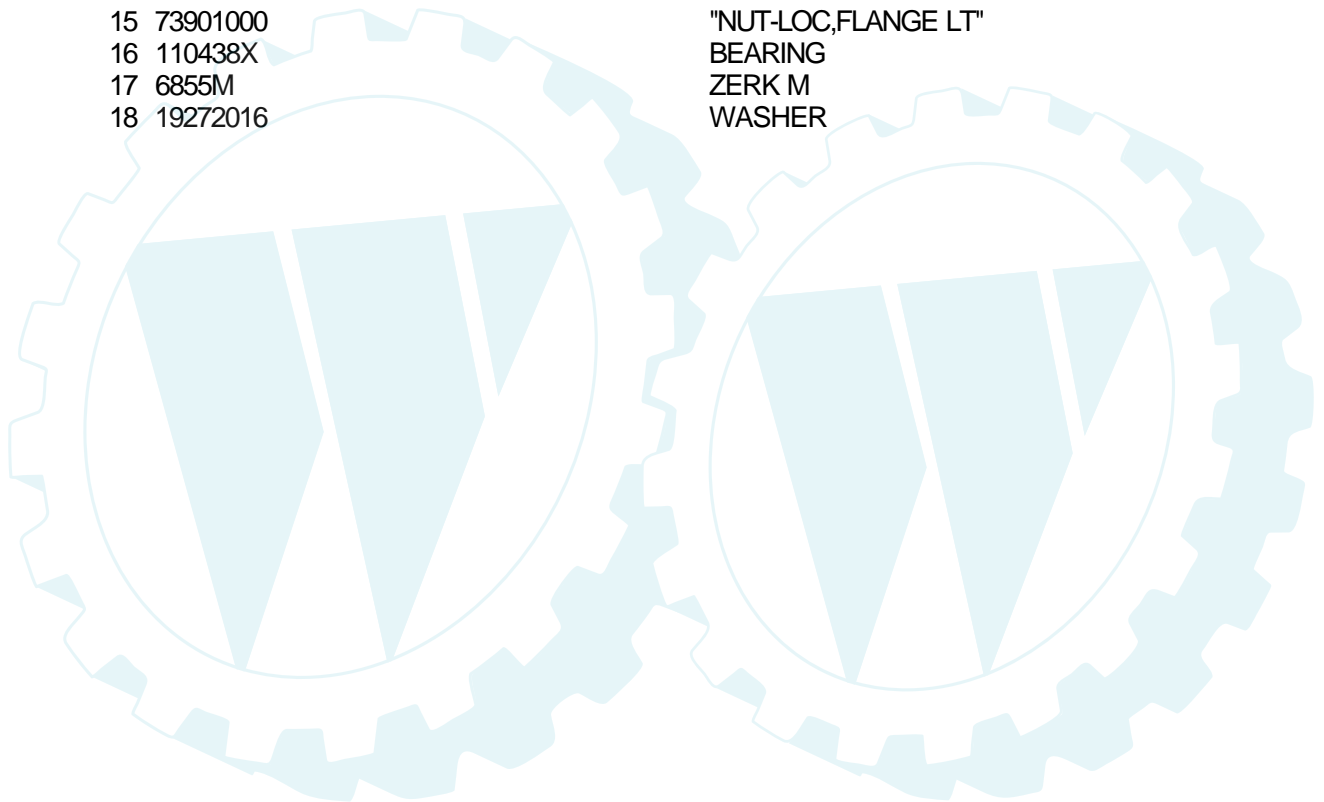
Ref #	Part Number	Qty	Description
1	156417		"CASE,BATTERY.MECH"
2	19132012		WASHER
3	17490612		SCREW
4	124181X		SPRING COMPRESSIO
5	127115X421		"PLATE ASM, BATT."
6	109596X		HOSE CLAMP T
7	124144X		PAD FOOTREST
8	17490512		SCREW
9	126997X		"CONSOLE,SHIFT CON"
10	139783		PLATE LOCK SHIFT
11	124346X		NUT
12	145190		CHASSIS.WELD.ASM.
13	109238X		TUBE T
15	73640400		NUT HXKEP 1/4X20
16	141736		SUB= 146613
17	140782		DRAWBAR ASM LR
18	126470X		"CLIP,INSULATOR"
19	140955X421		FENDER/FOOTREST
20	19091413		WASHER
25	17190516		SCREW



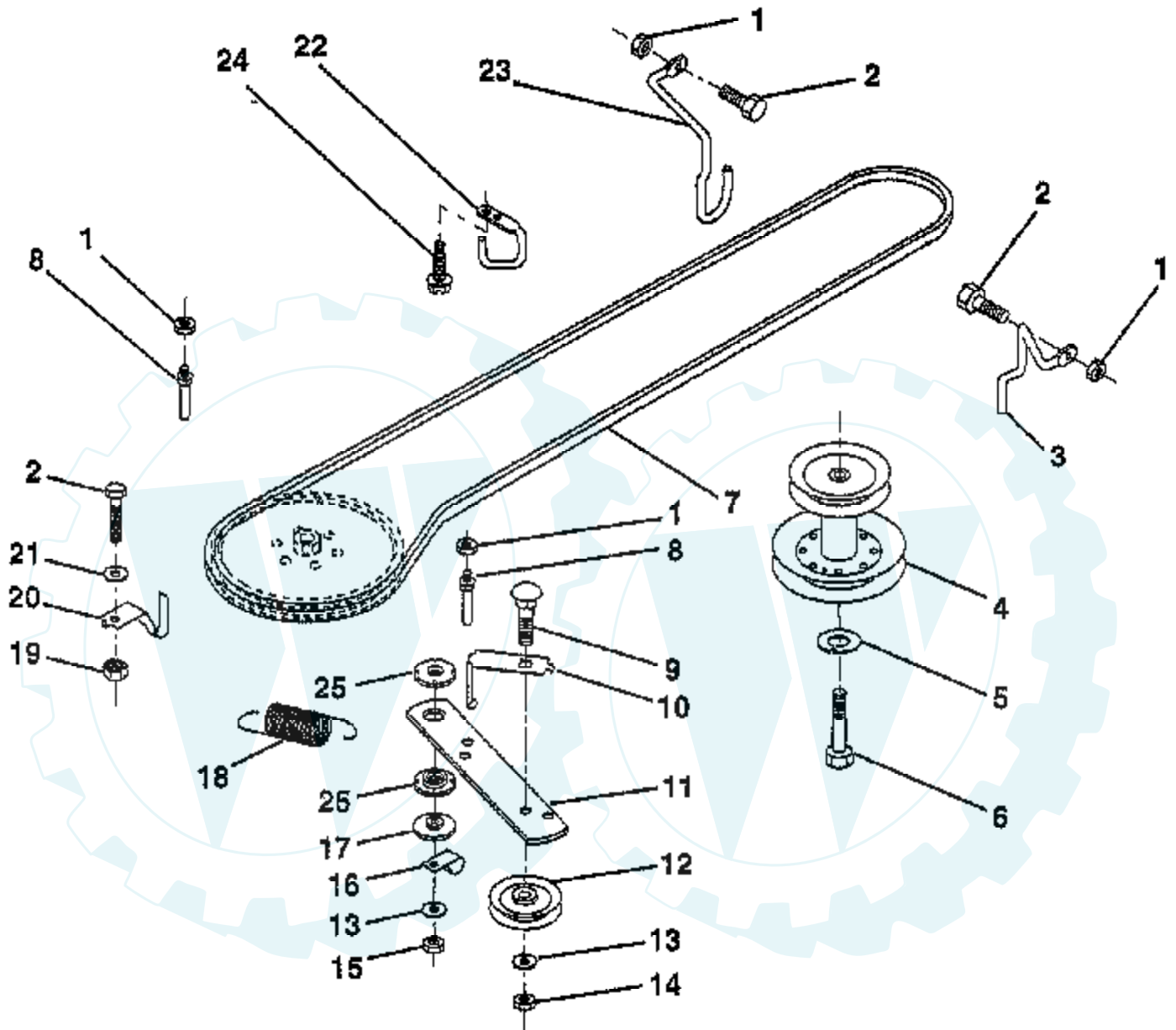
TRACTOR - MODEL NO. PP11536, (PP11536A) PRODUCT NO. 954 19 00-09 FRONT AXLE



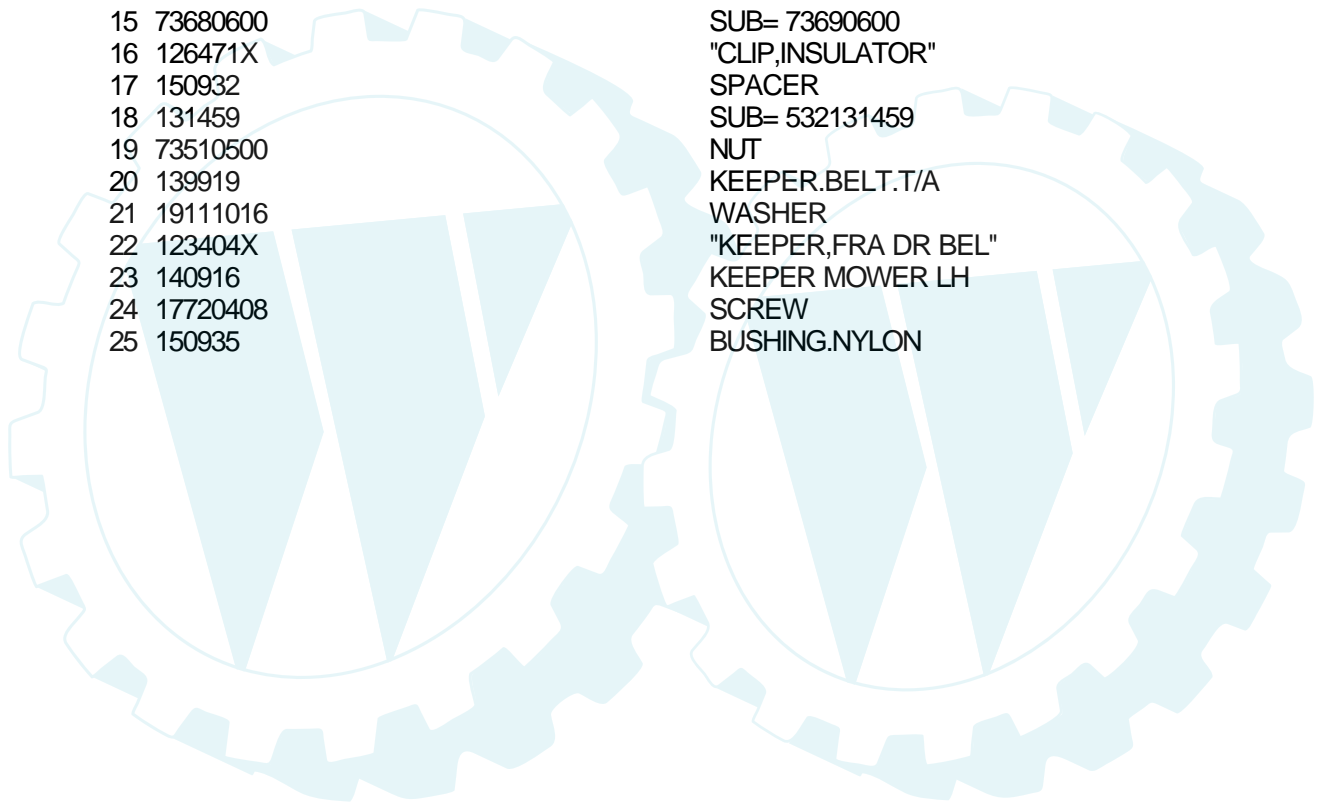
Ref #	Part Number	Qty	Description
1	121232X		CAP
2	12000029		RING
3	121748X		WASHER
4	3366R		COL. SRTG. BEAR.
5	142033		AXLE ASM FRONT
6	6266H		WASHER .T
7	137062		SPINDLE ASM RH
8	121749X		WASHER
9	76020412		COTTER PIN
10	19131316		WASHER
11	126847X		BUSHING.DRAGLINK
12	130465		TIE ROD
13	137061		SPINDLE ASM LH
14	74011056		BOLT HEX 5/8-11
15	73901000		"NUT-LOC,FLANGE LT"
16	110438X		BEARING
17	6855M		ZERK M
18	19272016		WASHER



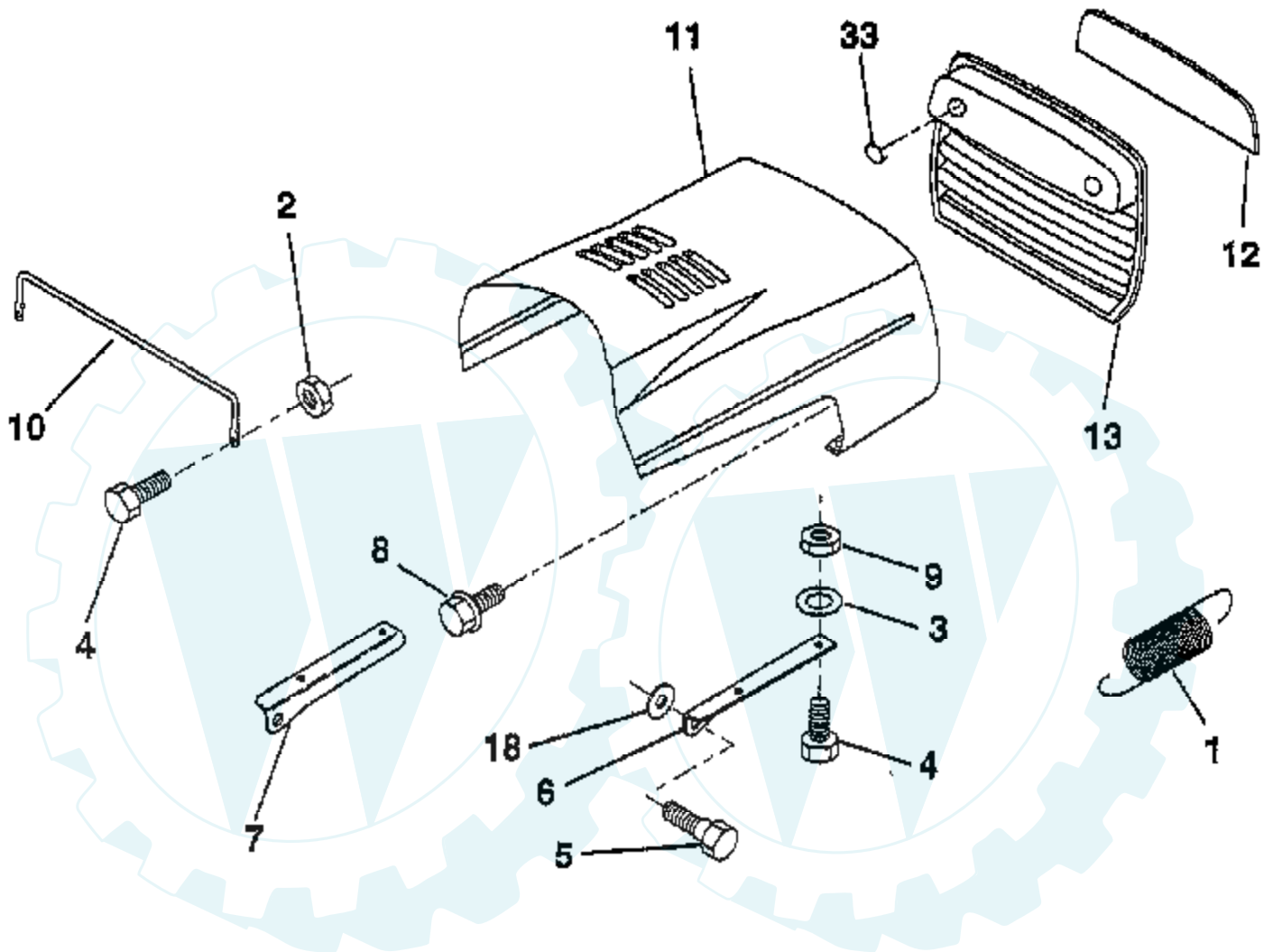
TRACTOR - MODEL NO. PP11536, (PP11536A) PRODUCT NO. 954 19 00-09
GROUND DRIVE



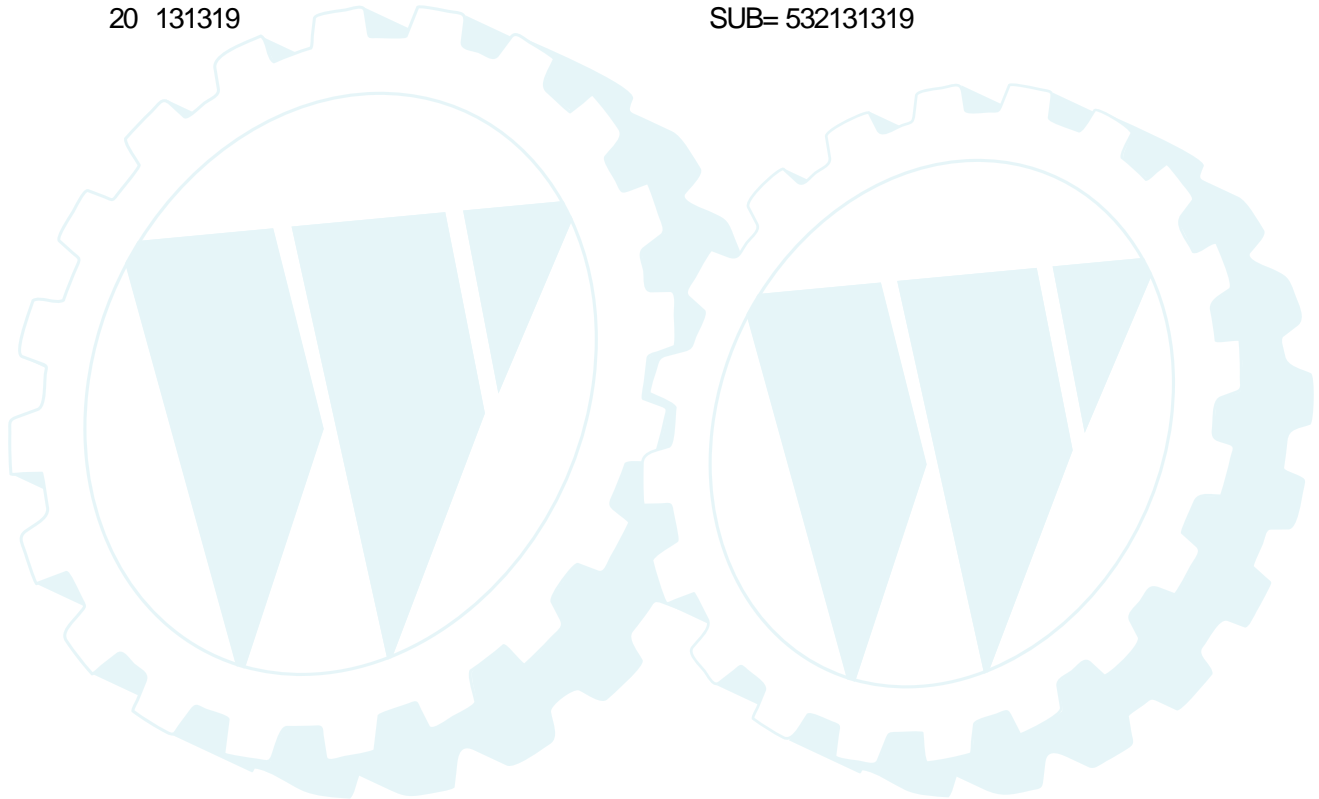
Ref #	Part Number	Qty	Description
1	73680500		SUB= 73690500
2	74760512		BOLT
3	141342		KEEPER RH
4	138029		PULLEY.ENGINE.LR
5	10040700		LOCKWASHER
6	71170744		HEX BOLT
7	126520X		V BELT
8	123405X		"KEEPER,DRIVE BELT"
9	72140612		BOLT
10	123396X		"KEEP,IDLER DR BEL"
11	150926		ARM-IDLER.DR.GRND
12	123674X		PULLEY.IDLER.FLAT
13	19131316		WASHER
14	73930600		LOCKNUT
15	73680600		SUB= 73690600
16	126471X		"CLIP,INSULATOR"
17	150932		SPACER
18	131459		SUB= 532131459
19	73510500		NUT
20	139919		KEEPER.BELT.T/A
21	19111016		WASHER
22	123404X		"KEEPER,FRA DR BEL"
23	140916		KEEPER MOWER LH
24	17720408		SCREW
25	150935		BUSHING.NYLON



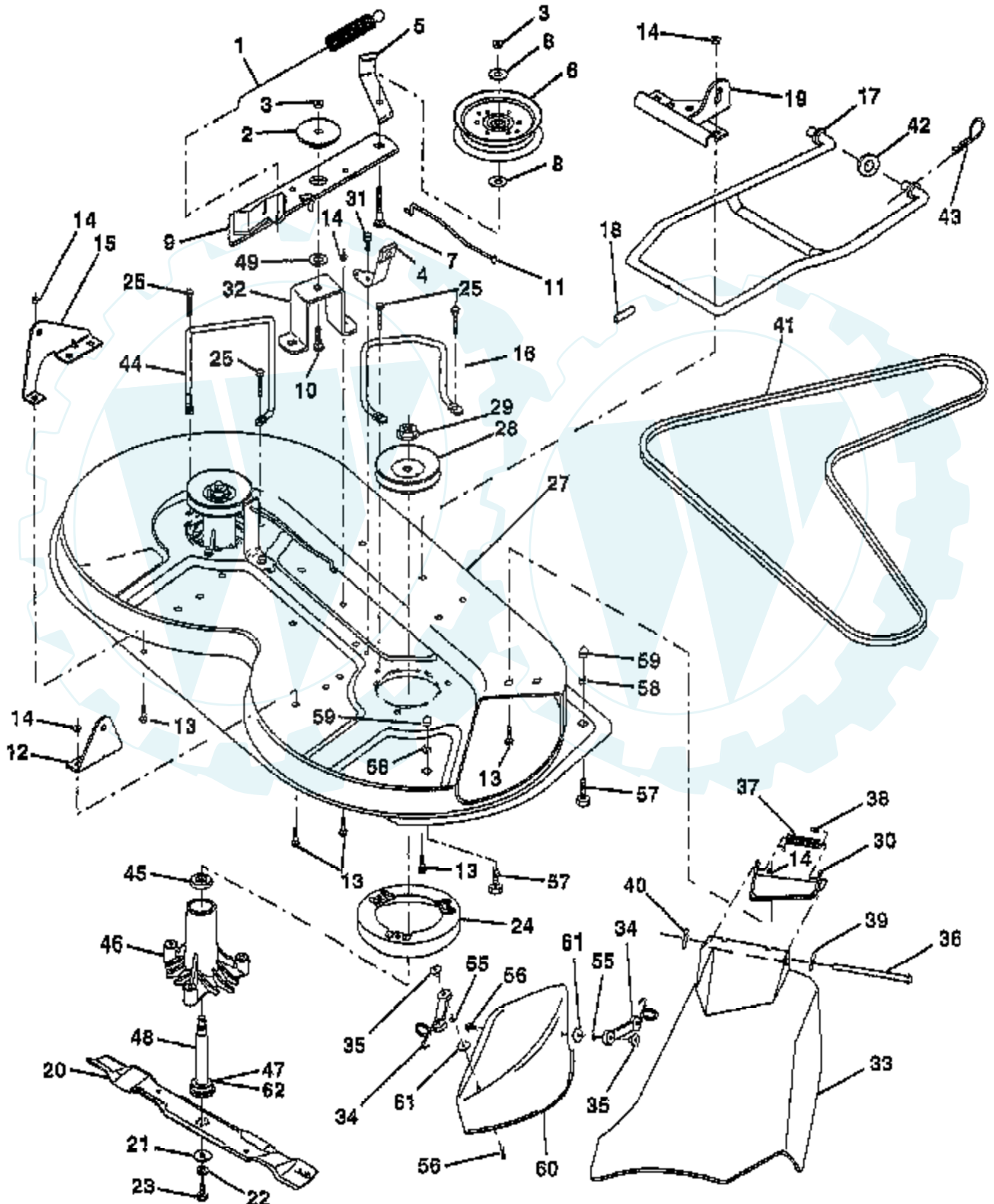
**TRACTOR - MODEL NO. PP11536, (PP11536A) PRODUCT NO. 954 19 00-09
HOOD**



Ref #	Part Number	Qty	Description
1	124657X		EXT SPRING
2	73640400		NUT HXKEP 1/4X20
3	19091416		WASHER
4	74780412		SUB= 74780414
5	139888		BOLT.SHLD.5/16-18
6	122549X		BRKT HOOD RH
7	122548X		BRKT HOOD LH
8	17521312		SCREW SLTD HXHD
9	73800400		NUT
10	123693X		"BRACE,HOOD"
11	132918X500		HOOD.LR.BLACK
12	122035X		LENS
13	127029X		GRILL
18	19111116		WASHER
20	131319		SUB= 532131319

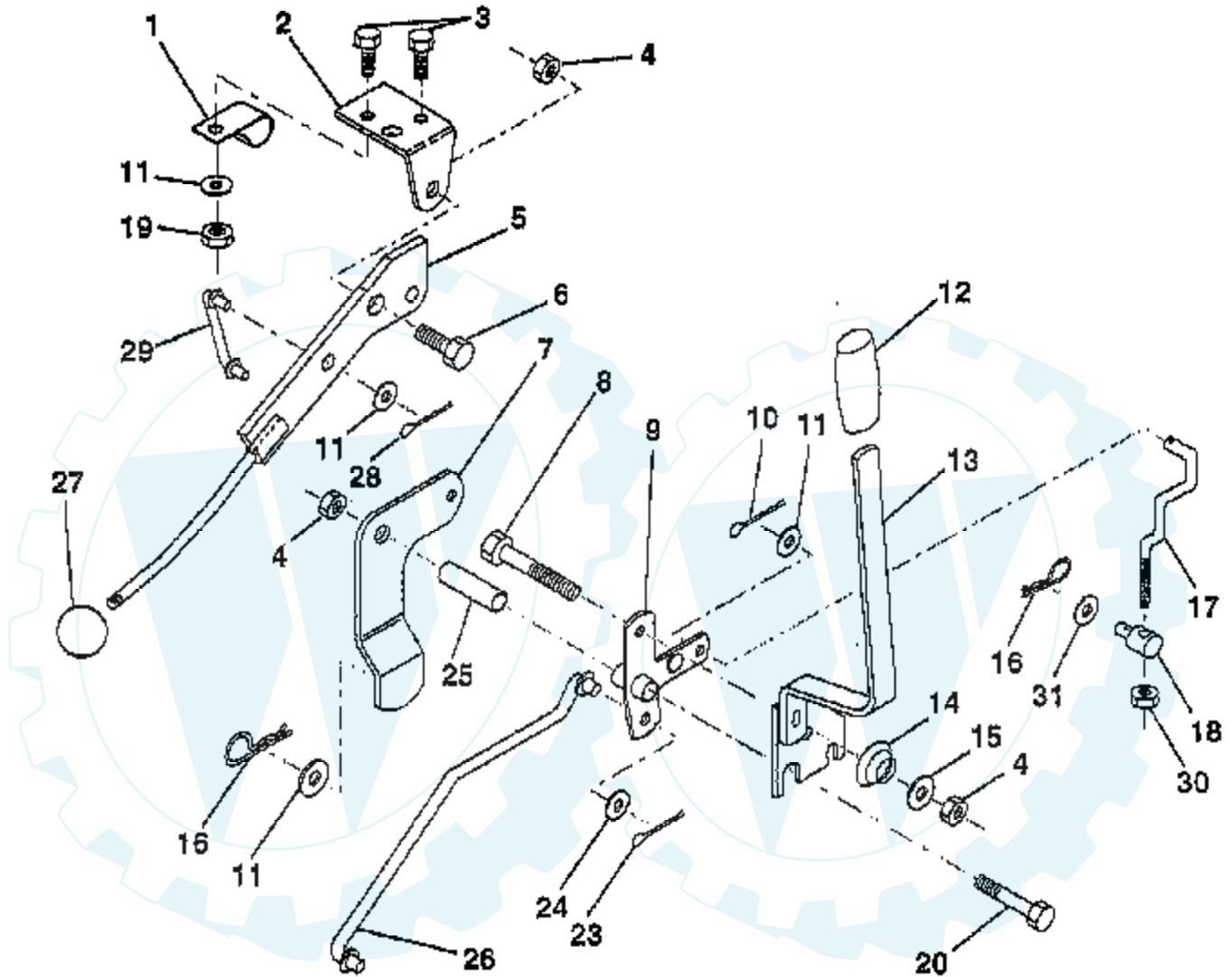


TRACTOR - MODEL NO. PP11536, (PP11536A) PRODUCT NO. 954 19 00-09
MOWER DECK



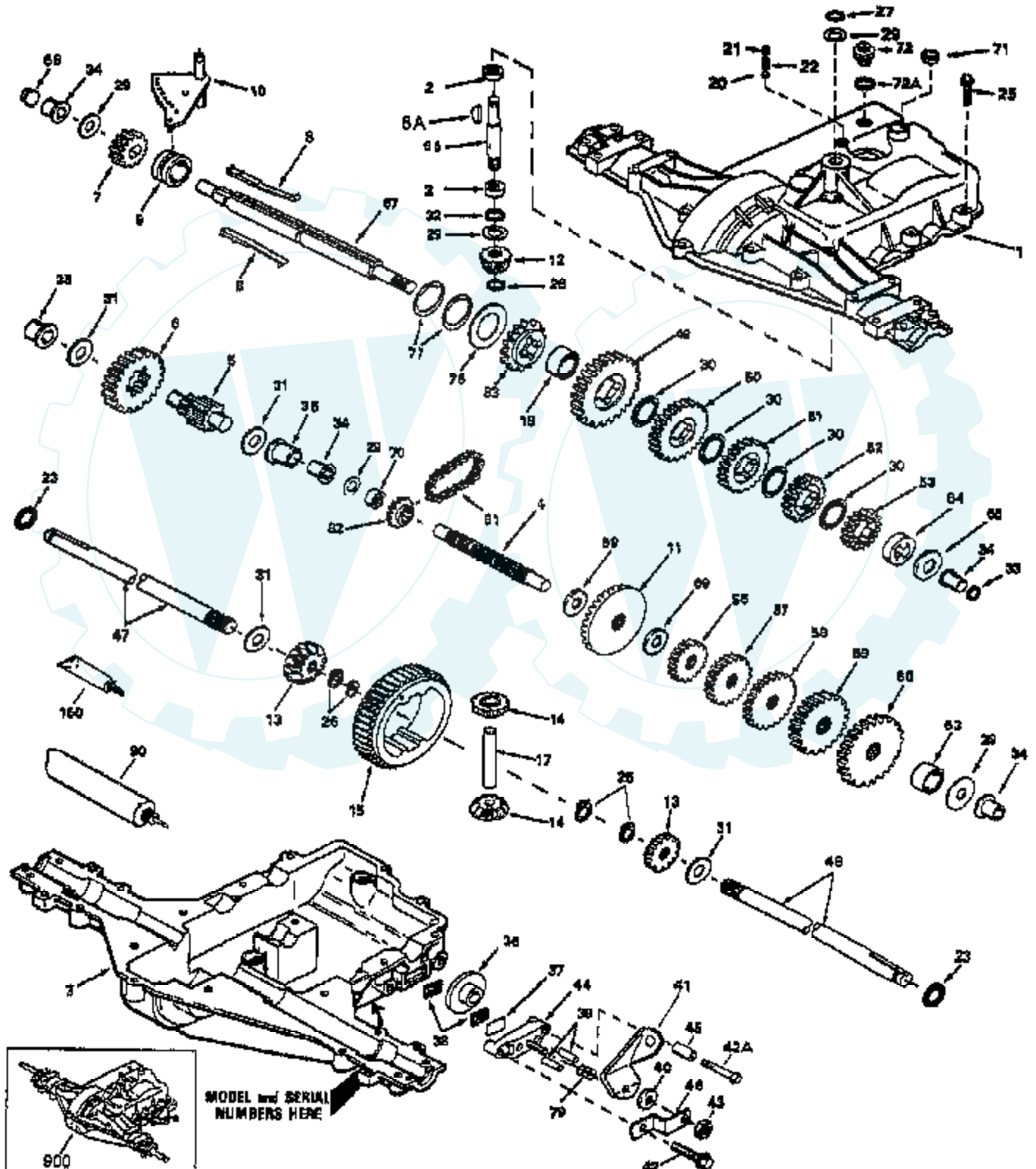
Ref #	Part Number	Qty	Description
1	140064		SPRING CLUTCH MWR
2	122052X		SPACER RETAINER
3	73680600		SUB= 73690600
4	130840		BRAKE ASM
5	131251		IDLER BELT GUIDE
6	121316X		PULLEY IDLER
7	72110616		BOLT
8	19131410		WASHER
9	127744		SUB= 140092
10	72140610		BOLT.3/8-14X1.25
11	130841		BRAKE ROD
12	127356		"BRKT,LIFT REAR"
13	72140506		BOLT
14	73680500		SUB= 73690500
15	127357		"BRKT,LIFT REAR LH"
16	153298		"KEEPER-BELT,RH"
17	128508		MOWER LINK STAB
18	128511		"PIN,GROOVE"
19	127380		"BRKT,LINK STABLI"
20	140101		"BLADE MULCH 36""
21	140296		WASHER.HARD.BLADE
22	10030600		SUB= 10040600
23	850857		BLADE BOLT
24	140329		STRIPPER RND MWR
25	138776		SUB= 157722
27	156600		"HOUSING-MOWER,36""
28	153531		PULLEY.MAND.36/46
29	137266		SUB= 139729
30	136631		SUB= 532136631
31	17490508		SCREW LT
32	122051X		"SUPT,IDLER ARM"
33	131560		SUB= 532131560
34	130758		SUB= 160793
35	125004X		NUT, WELD .327-.304 # 10-24
36	121980X		HINGE ROD
37	123713X		SPRING TORSION
38	105304X		CAP-SLEEVE LT
39	19111016		WASHER
40	110452X		NUT PUSH M
41	131264		V-BELT.PRIM.78.5.
42	19171616		WASHER
43	3146R		RETAINER.SPRING
44	140608		KEEPER BELT LH
45	110485X		BEARING
46	128774		HSG ASM MANDREL
47	129895		BEARING.BALL
48	137645		SUB= 137646
49	133943		HARDENED WASHER
55	10071000		LOCKWASHER
56	71161010		SCREW
57	74930516		BOLT GT
58	63124		SUB= 73690500
59	133841		ACORN NUT
60	140102		COVER, MULCHING 36
61	19061216		WASHER #10
62	153390		WASHER.FELT.
	130794		MANDREL ASM
	156866		"DECK SERVICE.36""

TRACTOR - MODEL NO. PP11536, (PP11536A) PRODUCT NO. 954 19 00-09 MOWER LIFT LEVER



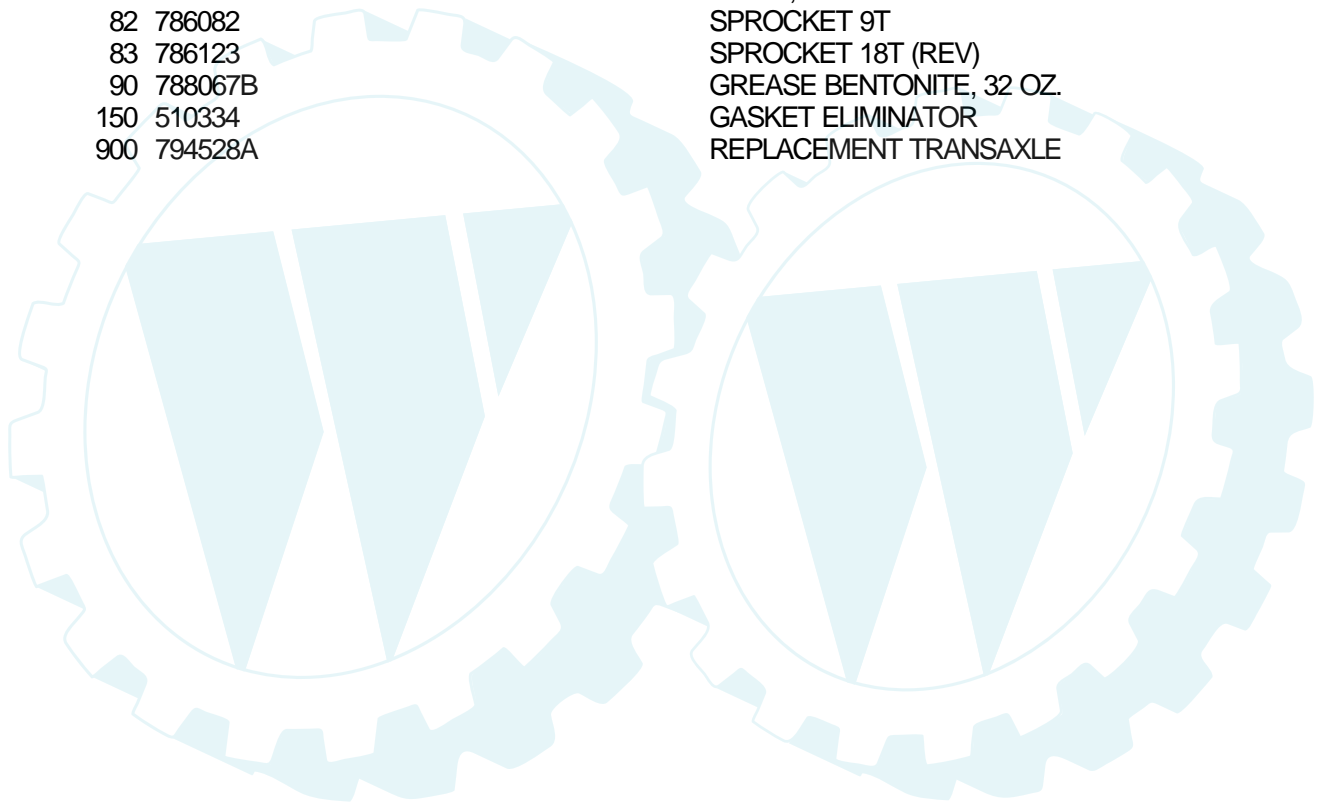
Ref #	Part Number	Qty	Description
1	126470X		"CLIP,INSULATOR"
2	122018X		BRKT CLUTCH
3	71110408		BOLT HXHD FIN
4	73680600		SUB= 73690600
5	145187		LEVER.ASM.CLUTCH
6	106451X		"BOLT, SHOULDER LT"
7	135371		MWR CLUTCH ARM AS
8	74760636		BOLT
9	121930X		"BELLCRANK,LIFT"
10	76020412		COTTER PIN
11	19131316		WASHER
12	131861		SUB= 532131861
13	139352		HANDLE.ASM.LIFT
14	123496X		SPRING COMPRESSIO
15	19131212		WASHER T
16	4921H		SPRING.RETAINER
17	127359		"LINK,LIFT FRT"
18	142028		TRUNION ADJ
19	73680400		SUB= 73690400
20	74760644		BOLT
23	76020416		PIN COTTER 1/8
24	19171612		WASHER GT
25	121933X		TUBE SPACER
26	141470		ROD LIFT MOWER
27	106932X		KNOB T(3/8 HOLE)
28	76020312		SUB= 3145
29	131655		CLUTCH LINK
30	73350600		NUT
31	19132012		WASHER

TRACTOR - MODEL NO. PP11536, (PP11536A) PRODUCT NO. 954 19 00-09
PEERLESS TRANSAXLE MODEL NUMBER 930-009A

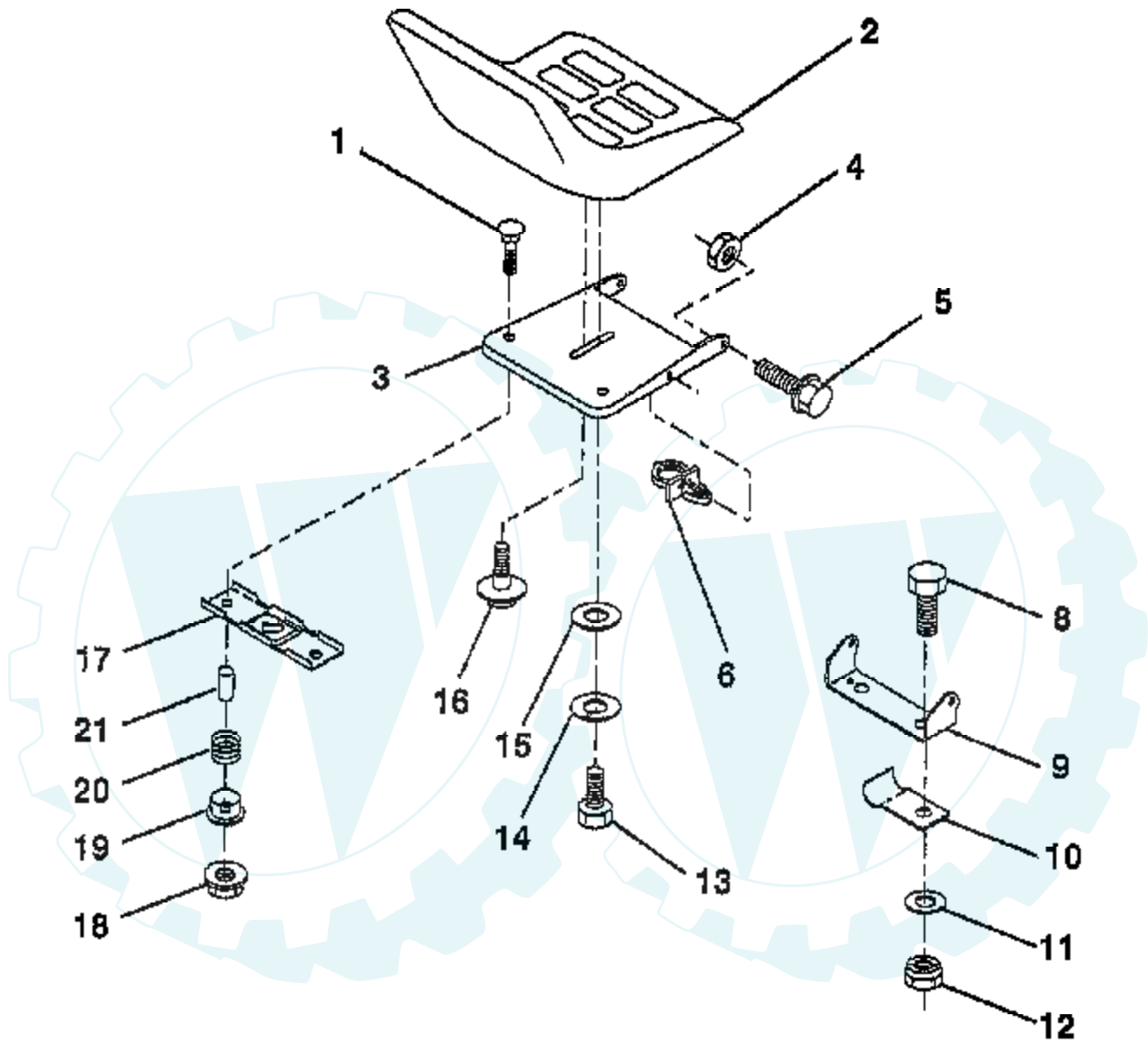


Ref #	Part Number	Qty	Description
1	772108A		TRANSAXLE COVER
2	780086		BEARING, NEEDLE
3	770102A		TRANSAXLE CASE
4	776260		SHAFT, COUNTER
5	776219B		OUTPUT SHAFT AND PINION
6	778139		GEAR, OUTPUT
7	778136		GEAR, SPUR, 15 TEETH
8	792136A		SHIFT KEY
8A	792047		KEY, WOODRUFF
9	784352		COLLAR, SHIFTER
10	784355		ROD & FORK ASSY, SHIFT
11	778229		GEAR, BEVEL, 42 TEETH
12	778113A		BEVEL PINION, INPUT
13	778221		GEAR, BEVEL
14	778068		GEAR, BEVEL, PINION
15	778260		GEAR, RING
17	786139		PIN, DRIVE
18	786102		SPACER, NEUTRAL
20	792077		BALL STEEL, 5/16" DIA.
21	792078		SCREW, 3/8-16 X 3/8"
22	792079		SPRING
23	788061		RING, SEAL
25	792073		SCREW, 1/4-20 X 1-1/4
26	792125		RING RETAINER
27	792035		RING, RETAINER
28	788040		RETAINING RING
29	780072		WASHER THRUST
30	780108		WASHER THRUST
31	780001		WASHER
32	792001		"O" RING
33	788095		SEAL, SQUARE CUT
34	780105A		BUSHING, FLANGED
35	780118A		BUSHING, FLANGED
36	790003		DISK, BRAKE
37	790007		PLATE BRAKE PAD
38	799021		BRAKE PAD
39	786026		PIN DOWEL
40	792076A		WASHER
41	790079		BRAKE LEVER
42	792073		SCREW, 1/4-20 X 1-1/4
42A	792085A		SCREW, 1/4-20 X 2-1/4
43	792075		LOCKNUT 5/16-24
44	790025		HOLDER BRAKE PAD
45	786066		SPACER
46	786086		BRKT BRAKE LEVER
47	774690		AXLE
48	774691		AXLE
49	778191		GEAR, SPUR, 37 TEETH
50	778124A		GEAR, SPUR, 30 TEETH
51	778123A		GEAR, SPUR, 25 TEETH
52	778122A		GEAR, SPUR, 22 TEETH
53	778273		GEAR, SPUR, 19T
56	778230		GEAR, SPUR, 12 TEETH
57	778126A		GEAR, SPUR, 20 TEETH
58	778127A		GEAR, SPUR, 25 TEETH
59	778128A		GEAR, SPUR, 28 TEETH
60	778163		GEAR, SPUR, 31 TEETH
63	786071		SPACER

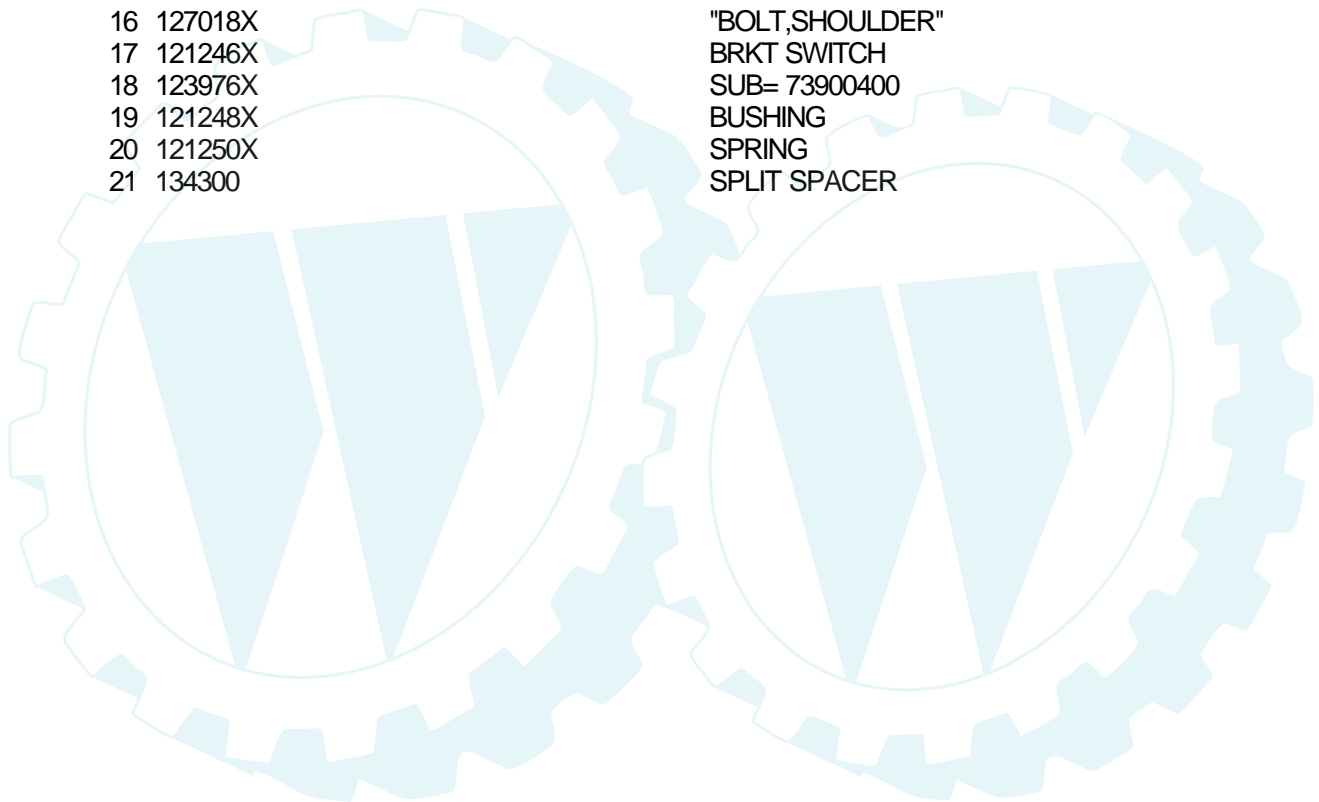
Ref #	Part Number	Qty	Description
64	786072		SPACER
65	780109		WASHER, THRUST
66	776135		SHAFT, INPUT
67	776315A		SHAFT, BRAKE, 4 KEYED
68	786116A		PLUG
69	780051		WASHER THRUST
70	786118		SPACER
71	788069		SEAL SQUARE CUT
72	792165		THREADED PLUG 9/16-18
72A	788091		"O" RING
76	780090		WASHER, THRUST
77	788078A		INVERTED RETAINING RING
79	792144		SPRING
81	786081		CHAIN, ROLLER
82	786082		SPROCKET 9T
83	786123		SPROCKET 18T (REV)
90	788067B		GREASE BENTONITE, 32 OZ.
150	510334		GASKET ELIMINATOR
900	794528A		REPLACEMENT TRANSAXLE



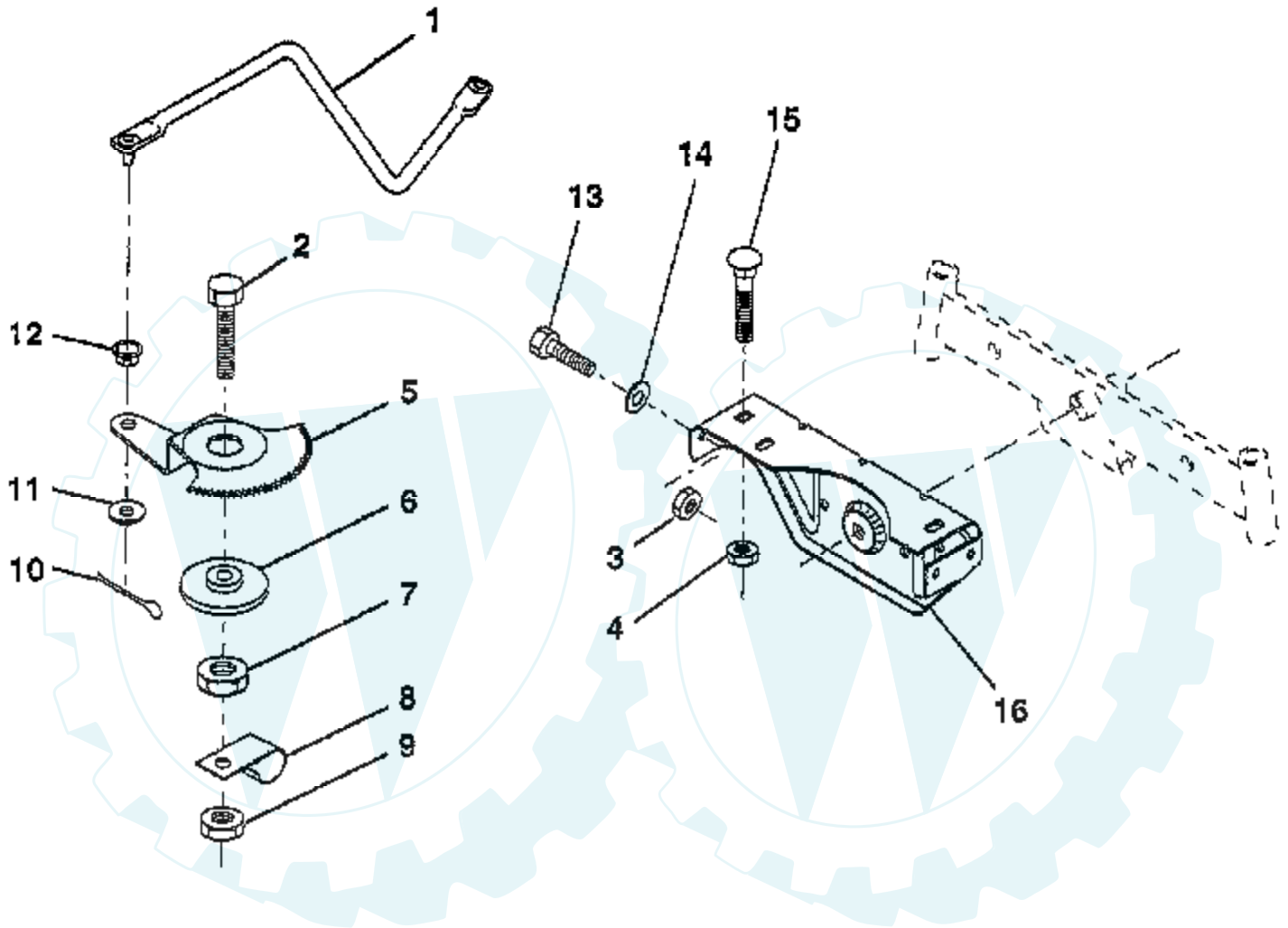
TRACTOR - MODEL NO. PP11536, (PP11536A) PRODUCT NO. 954 19 00-09
SEAT



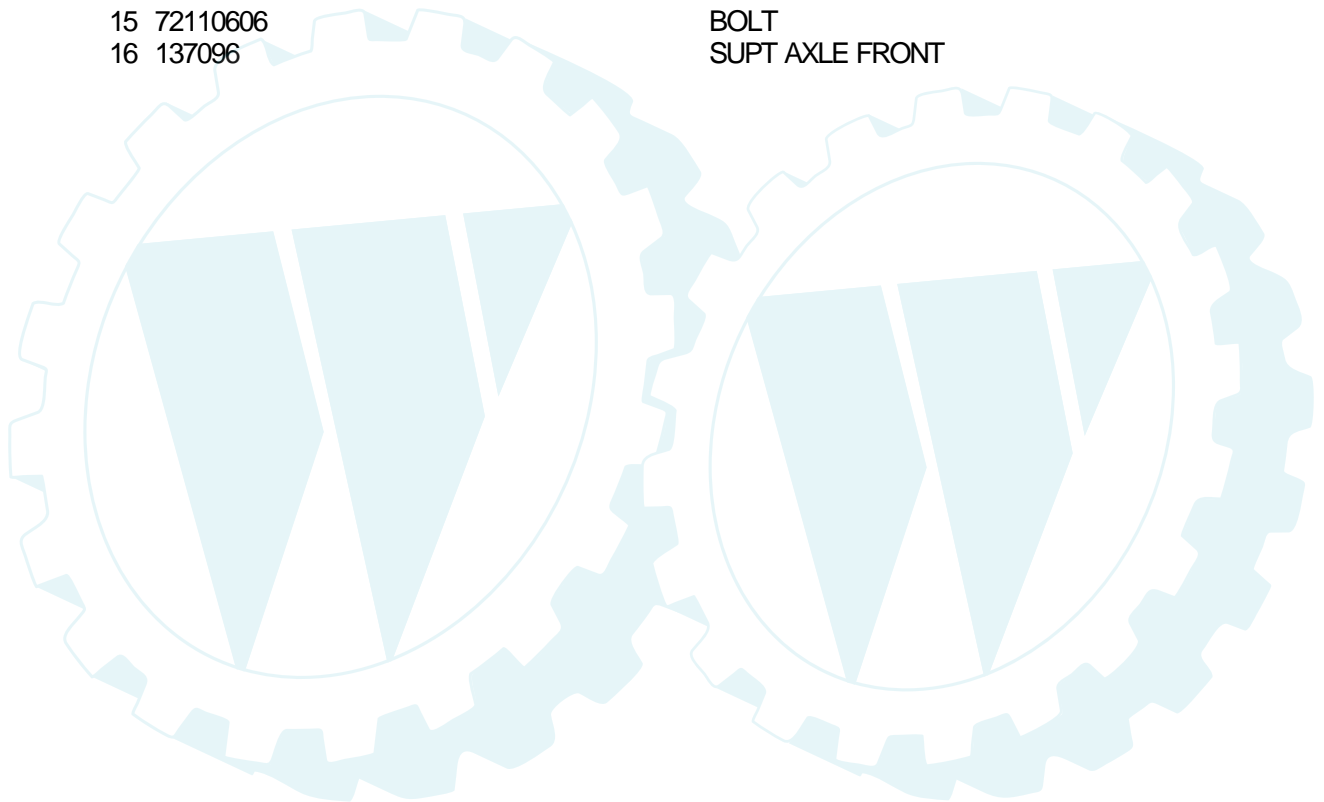
Ref #	Part Number	Qty	Description
1	72050411		SUB= 872050411
2	140116		SEAT
3	155925		PAN-SEAT
4	73800500		NUT
5	153236		"BOLT,SHOULDER"
6	145006		CLIP.PUSH-IN.HING
8	74760616		BOLT
9	140551		BRACKET PVT SEAT
10	126471X		"CLIP,INSULATOR"
11	19133210		WASHER
12	73800600		NUT
13	74780814		BOLT
14	10040800		LOCKWASHER
15	19171912		WASHER
16	127018X		"BOLT,SHOULDER"
17	121246X		BRKT SWITCH
18	123976X		SUB= 73900400
19	121248X		BUSHING
20	121250X		SPRING
21	134300		SPLIT SPACER



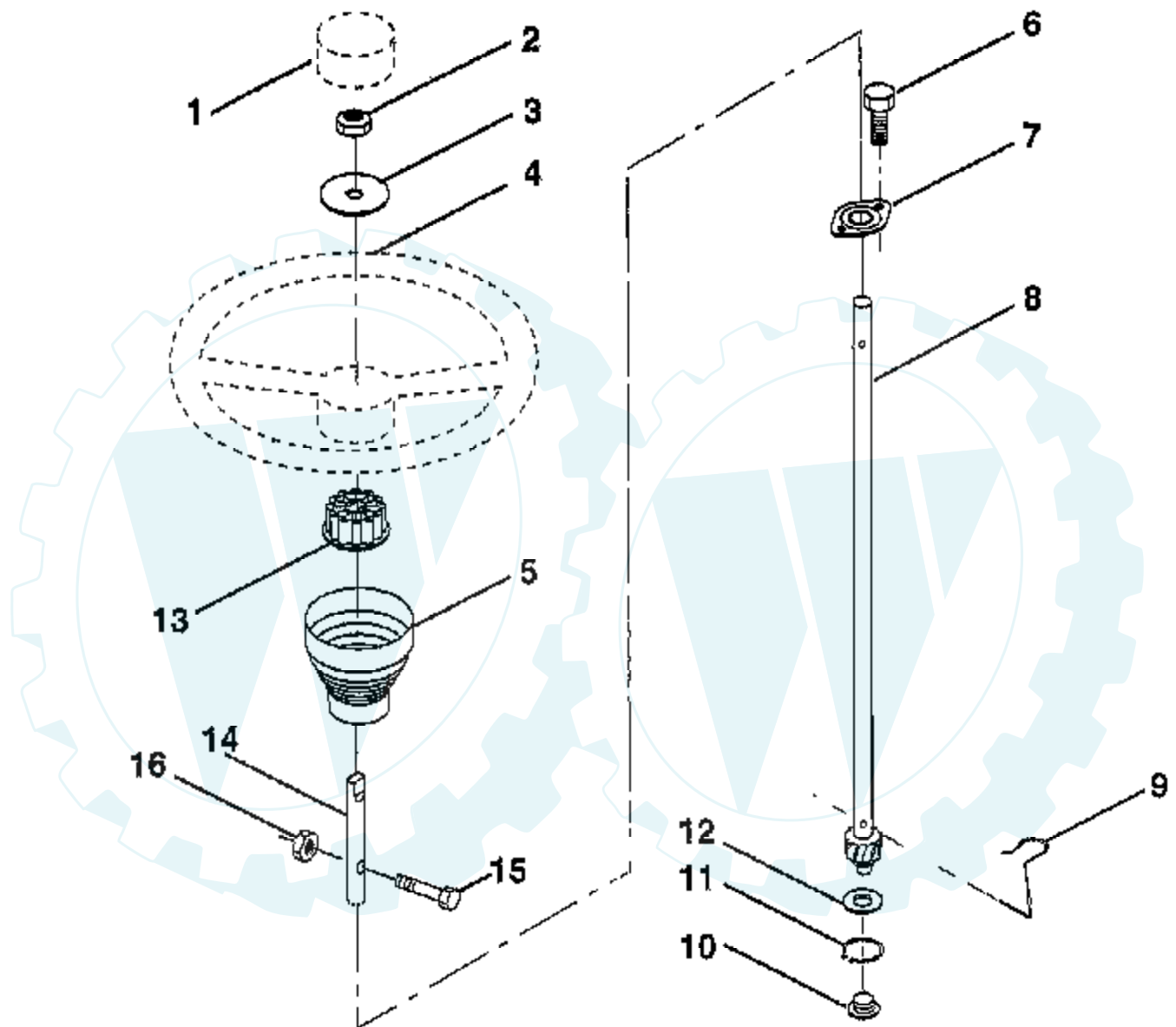
TRACTOR - MODEL NO. PP11536, (PP11536A) PRODUCT NO. 954 19 00-09
SECTOR GEAR / AXLE SUPPORT



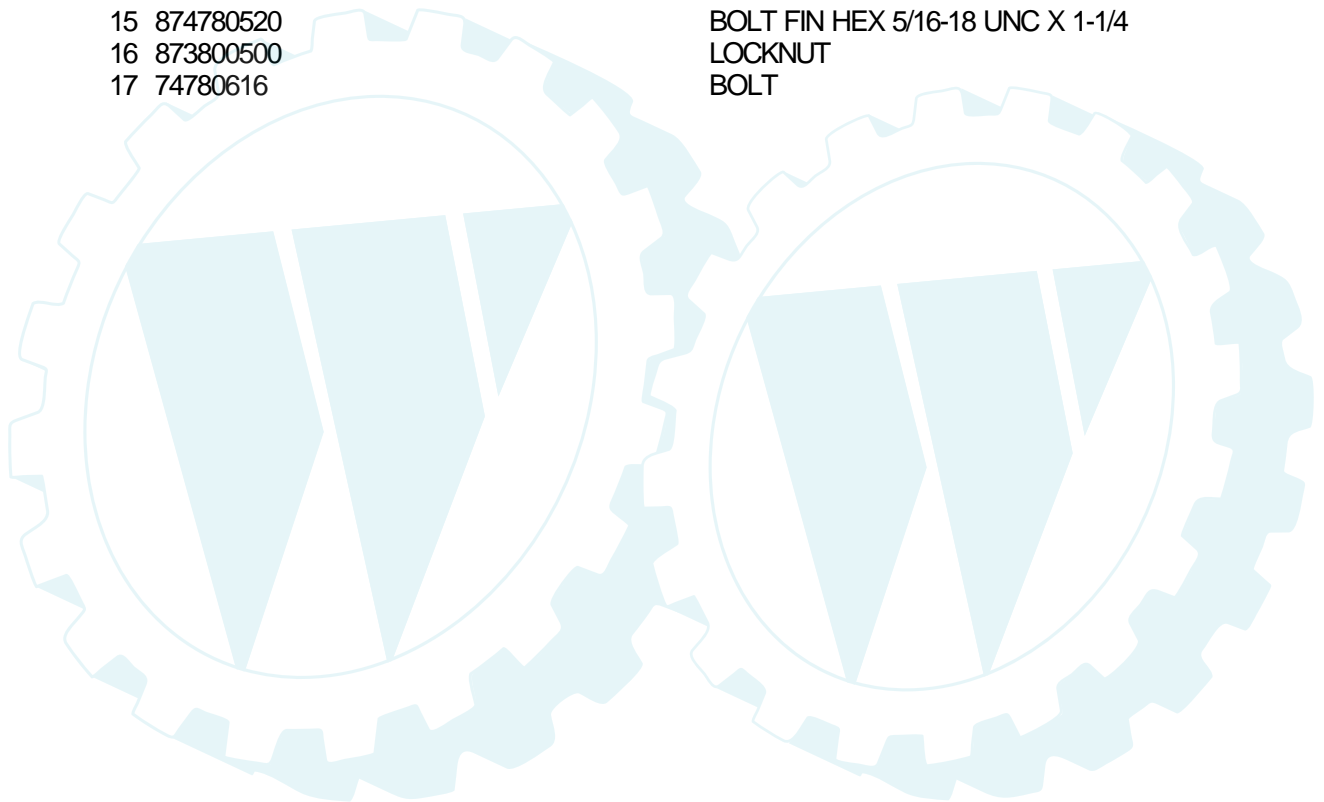
Ref #	Part Number	Qty	Description
1	132566		DRAG LINK
2	74780828		"BOLT,HEX"
3	73680500		SUB= 73690500
4	73680600		SUB= 73690600
5	121926X		GEAR SECTOR
6	121927X		BUSHING
7	73030800		NUT
8	126472X		CLIP INSULATOR
9	73680800		NUT LTV
10	76020412		COTTER PIN
11	19131316		WASHER
12	126847X		BUSHING.DRAGLINK
13	74760512		BOLT
14	19111416		WASHER
15	72110606		BOLT
16	137096		SUPT AXLE FRONT



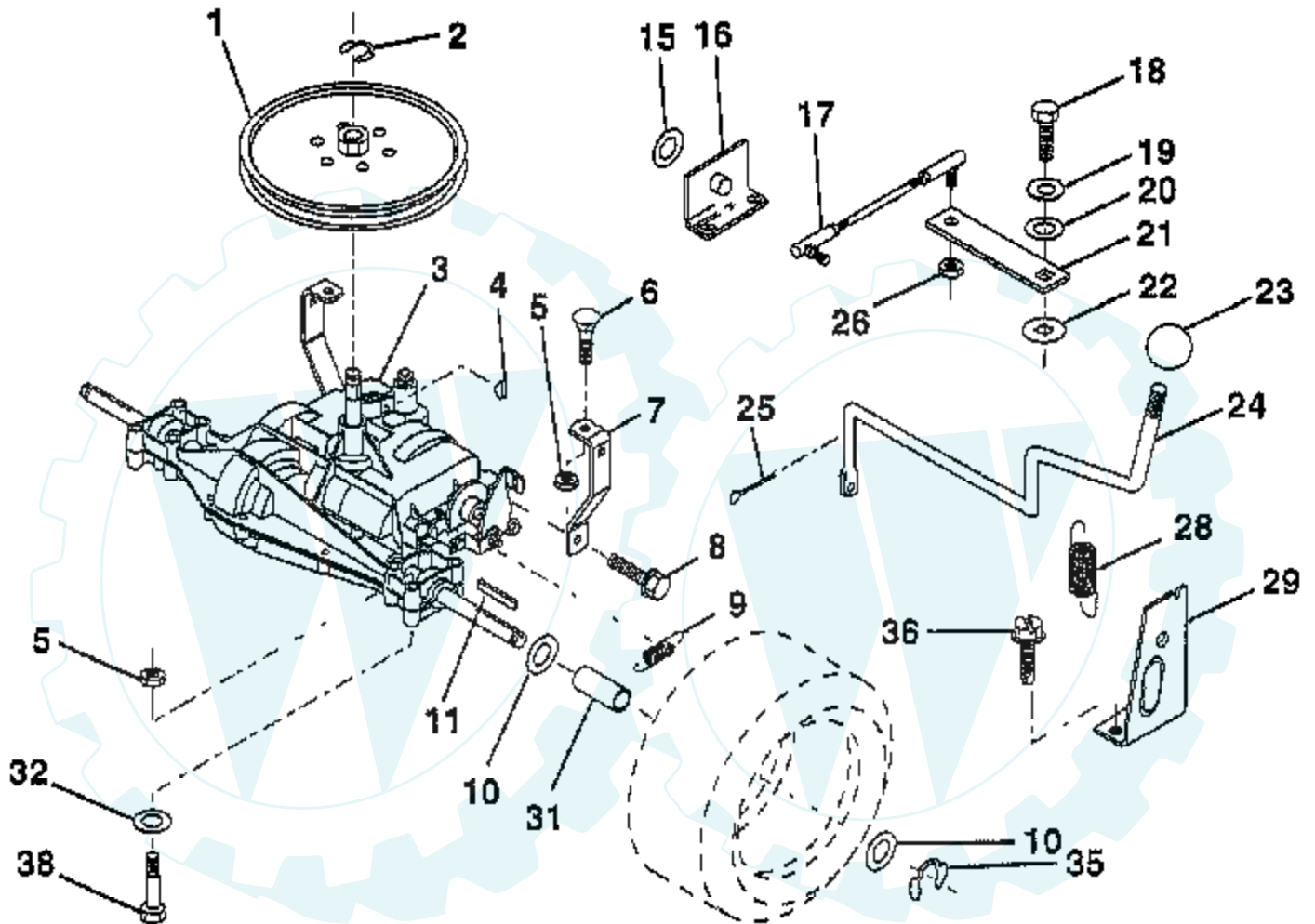
**TRACTOR - MODEL NO. PP11536, (PP11536A) PRODUCT NO. 954 19 00-09
STEERING WHEEL**



Ref #	Part Number	Qty	Description
1	133742		ST WHL INSERT CAP
2	10040600		LOCKWASHER
3	19133808		WASHER T
4	133741		SUB= 150547
5	121897X		SLEEVE STEERING
6	152927		"SCREW-TT,10-32 FL"
7	155104		BUSHING.STR.623
8	147391		SHAFT.STEERING.LR
9	124210X		STEERING CLIP
10	123438X		BUSHING STEER LWR
11	12000045		RING
12	19211616		WASHER LT
13	100711L		ADAPTER LT
14	153720		EXT SHAFT STEERIN
15	874780520		BOLT FIN HEX 5/16-18 UNC X 1-1/4
16	873800500		LOCKNUT
17	74780616		BOLT



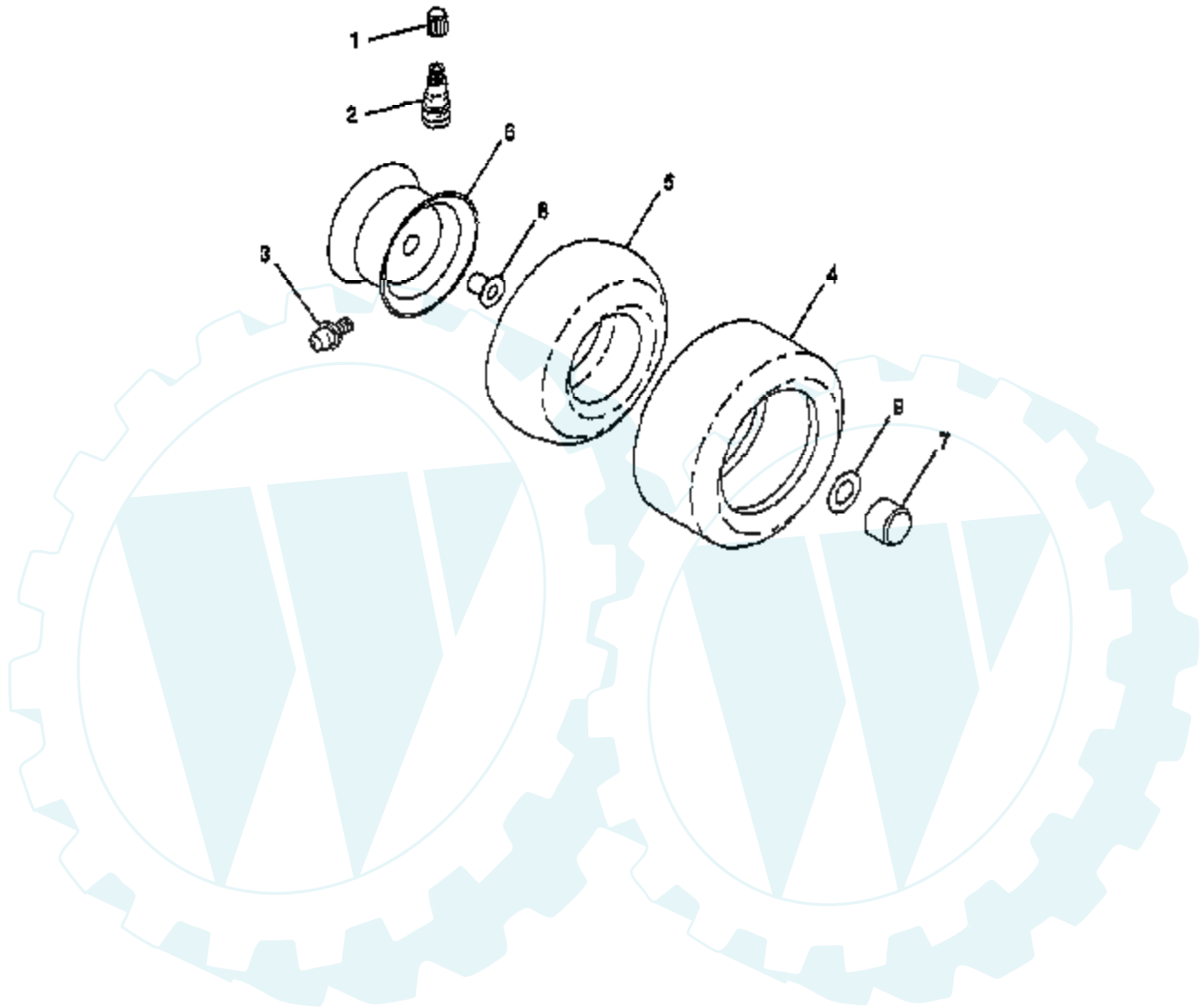
TRACTOR - MODEL NO. PP11536, (PP11536A) PRODUCT NO. 954 19 00-09 TRANSAXLE



Ref #	Part Number	Qty	Description
1	123385X		PULLEY
2	12000028		SUB= 2267J
3	P390-009A		TRANSAXLE PEERLESS
4	2228M		SUB= 2228M1
5	73680500		SUB= 73690500
6	72140506		BOLT
7	123378X		"STRAP,TORQUE"
8	17490512		SCREW
9	146682		SPRING.BRAKE.RETU
10	121749X		WASHER
11	123583X		SQUARE KEY
15	19171616		WASHER
16	124600		SUPPORT HANDLE SHIFT LH
17	126293X		LINK SHIFT
18	74550412		BOLT.1/4-28.W/PAT
19	10040400		LOCKWASHER
20	19091210		WASHER LT
21	126292X		ARM SHIFT
22	105701X		WASH-SHFT PLT LT
23	106933X		KNOB T (1/2-HOLE)
24	128215		"ROD,SHIFT"
25	76020416		PIN COTTER 1/8
26	73810500		NUT.LOCK.5/16-24
28	128085		"SPRING,EXT"
29	128084		"SUPT,HDLE RH"
32	19111116		WASHER
31	137057		SPACER AXLE
35	12000001		E-RING LT
36	17720408		SCREW
38	74490544		BOLT.HX.FLG.5/16

TRACTOR - MODEL-NO. PP11536, (PP11536A) PRODUCT NO. 954 19 00-09

WHEELS & TIRES



Ref #	Part Number	Qty	Description
1	59192		VALVE CAP
2	65139		VALVE STEM LT
3	278H		FITTING LT
4	137422		SUB= 122073X
4	132703		SUB= 532132703
5	59904		TUBE.5.3/4.5/6
5	8134		SUB= 8134H
6	137237X417		"RIM.FRT.6"" .ASM"
6	140325X417		"RIM REAR 8""
7	104757X		HUB CAP
8	9040H		"FLANGE, BEARING"
9	121748X		WASHER
	144334		SEALANT.TIRE 10 OZ. TUBE

