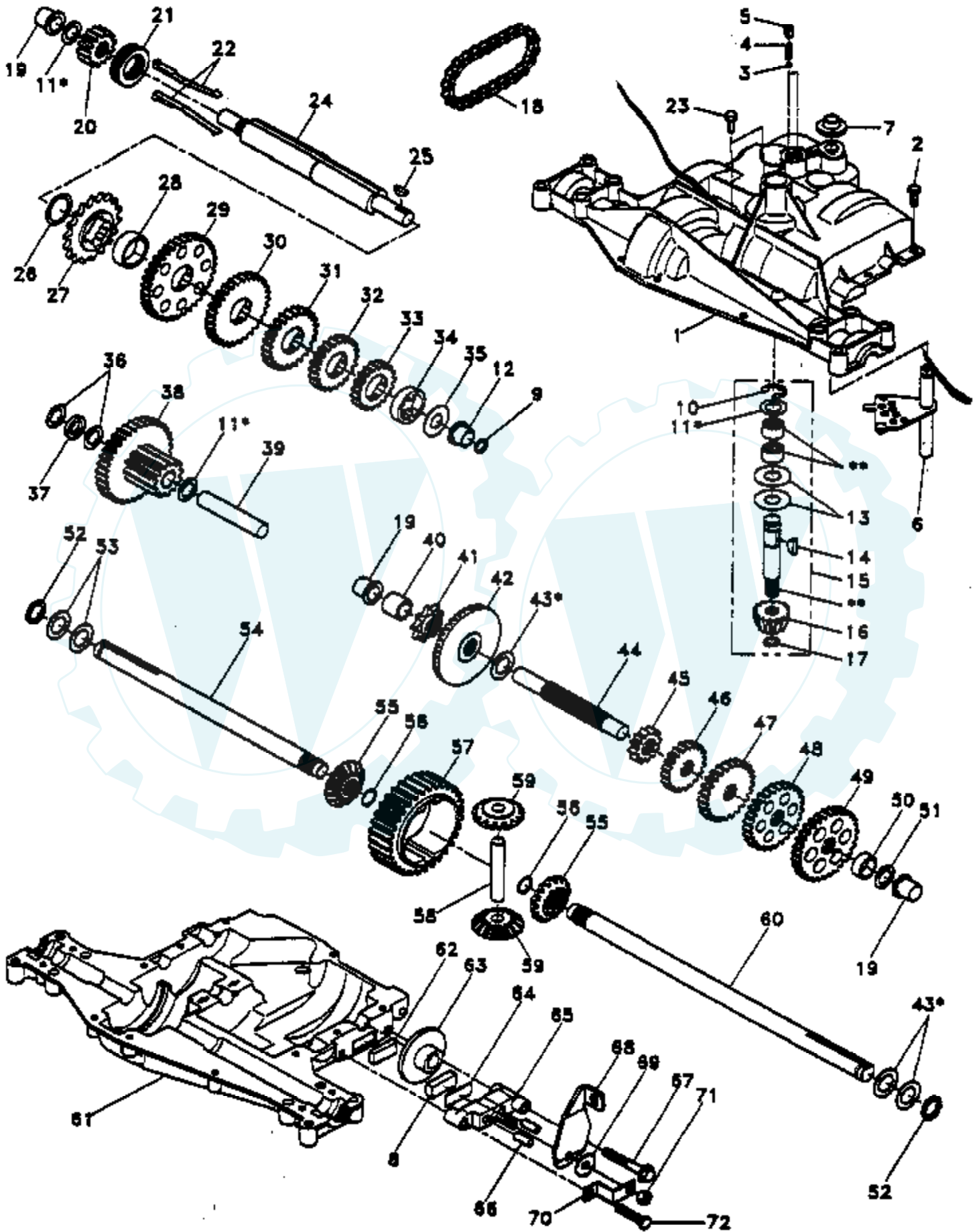
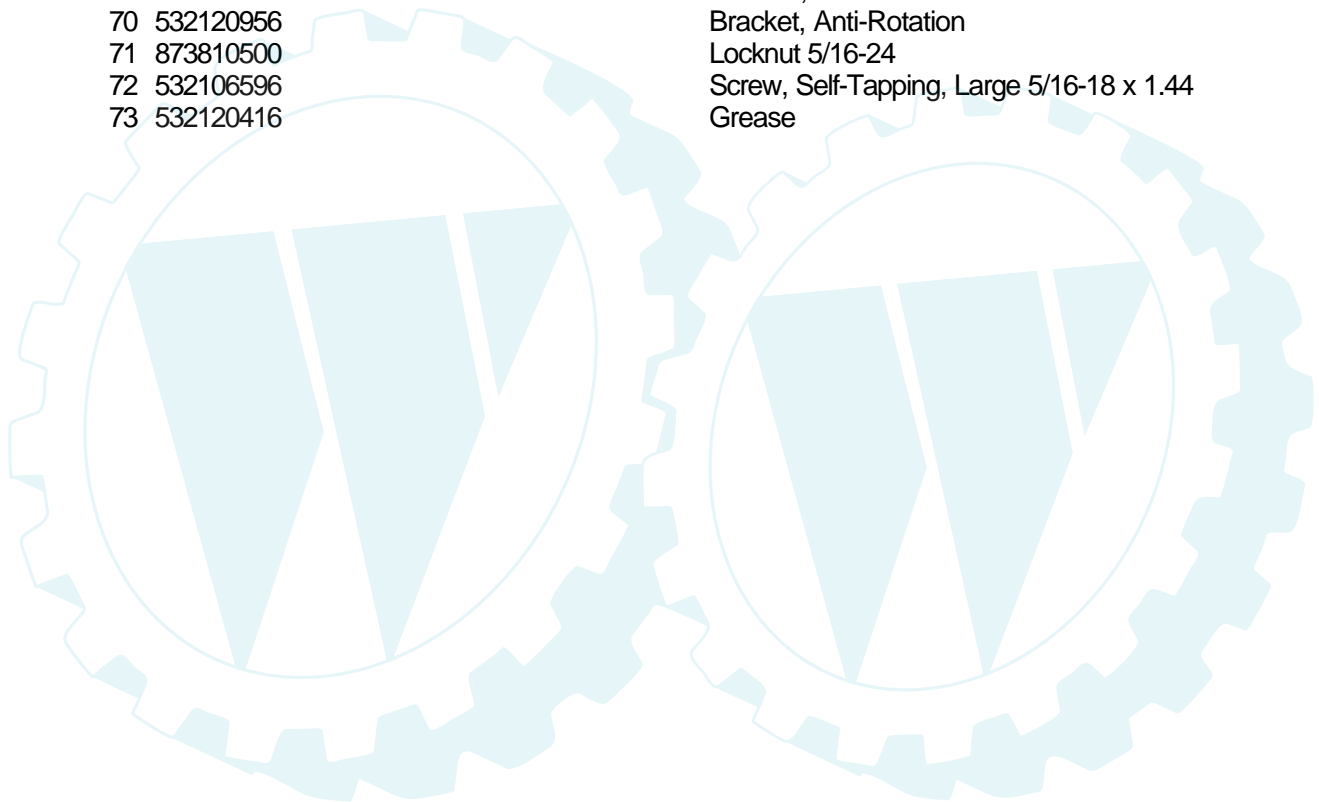


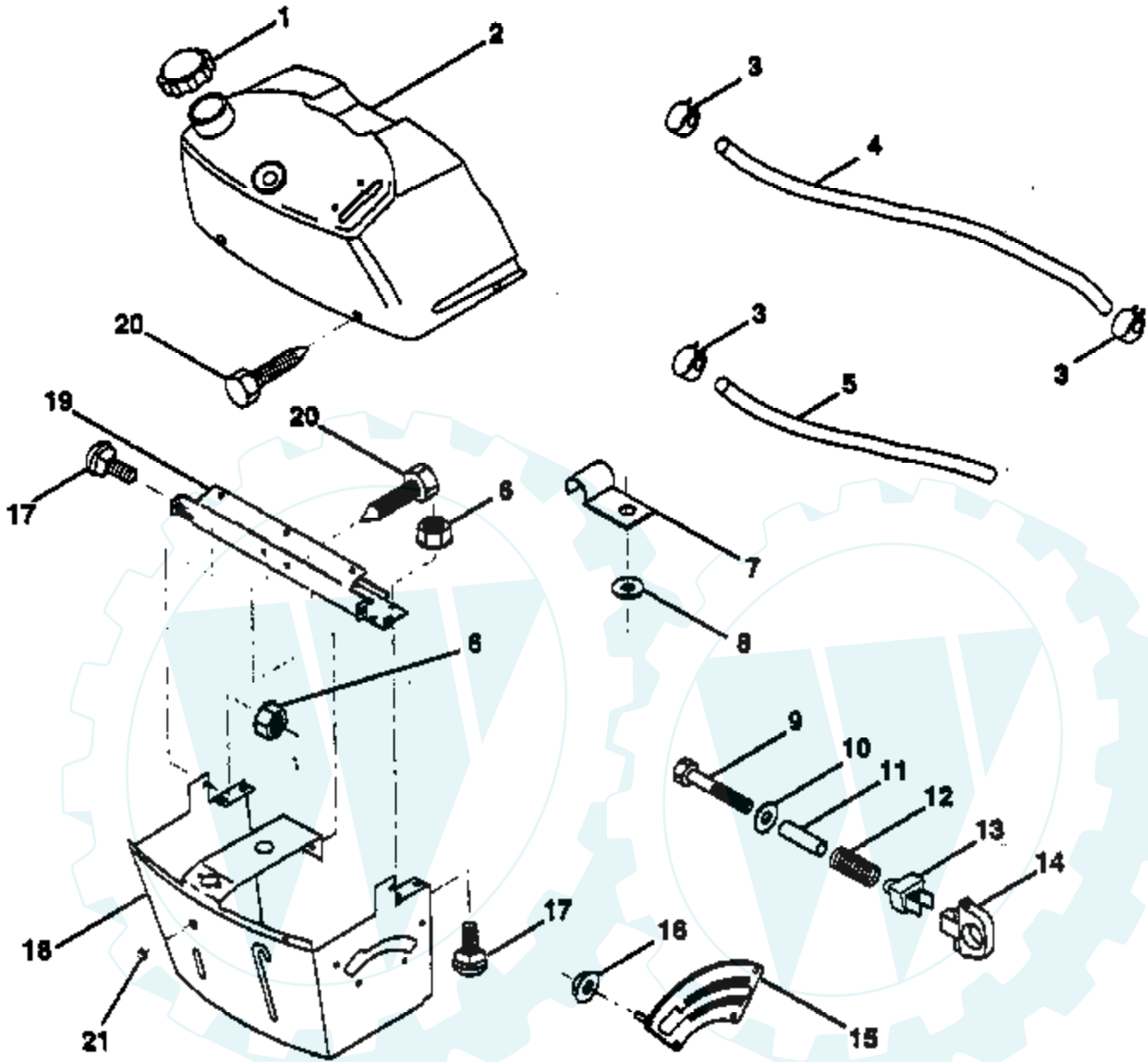
Ref #	Part Number	Qty	Description
1	532071673		Cap, Plunger
2	532123436		Rod, Parking Brake
3	532123437		Bracket, Parking Brake
4	532124872		Cover, Pedal
5	532122504		Bracket, Clutch/Brake Pedal, L.H.
6	876020312		Pin, Cotter 3/32 x 3/4
7	819131016		Washer 13/32 x 5/8 x 16 Ga.
8	817490508		Screw, Hex, Thd. Roll. 5/16-18 x 1/2
9	876020412		Pin, Cotter 1/8 x 3/4
10	819131316		Washer 13/32 x 13/16 x 16 Ga.
11	532123543		Rod, Brake Front
12	532139933		Assembly, Clutch/Brake Pedal
13	532123394		Rod, Clutch
14	532121978		Bracket, Lift, Shaft
15	532133332		Assembly, Brake, Pivot, Arm
16	819251816		Washer 25/32 x 1-1/8 x 16 Ga.
17	812000034		Ring, Klip
18	532106888		Spring, Brake Rod
19	873350600		Nut, Hex, Jam 3/8-16 UNC
20	873800600		Locknut, Hex w/Washer Insert 3/8-16 UNC
21	532131460		Rod, Rear Brake
22	532127378		Trunnion, Lift
23	873800600		Nut, Lock Hex w/Wsh 3/8-16
24	819132012		Washer 13/32 x 1-1/4 x 12 Ga.
25	532124961		Spring, Retainer
26	873930600		Nut, Centerlock 3/8-16 UNC
27	532127369		Link, Threaded
28	532140776		Assembly, Rear Mower Lift
29	872110506		Bolt, Carriage 5/16-18 UNC x 3/4
30	873510500		Nut, Keps 5/16-16 UNC



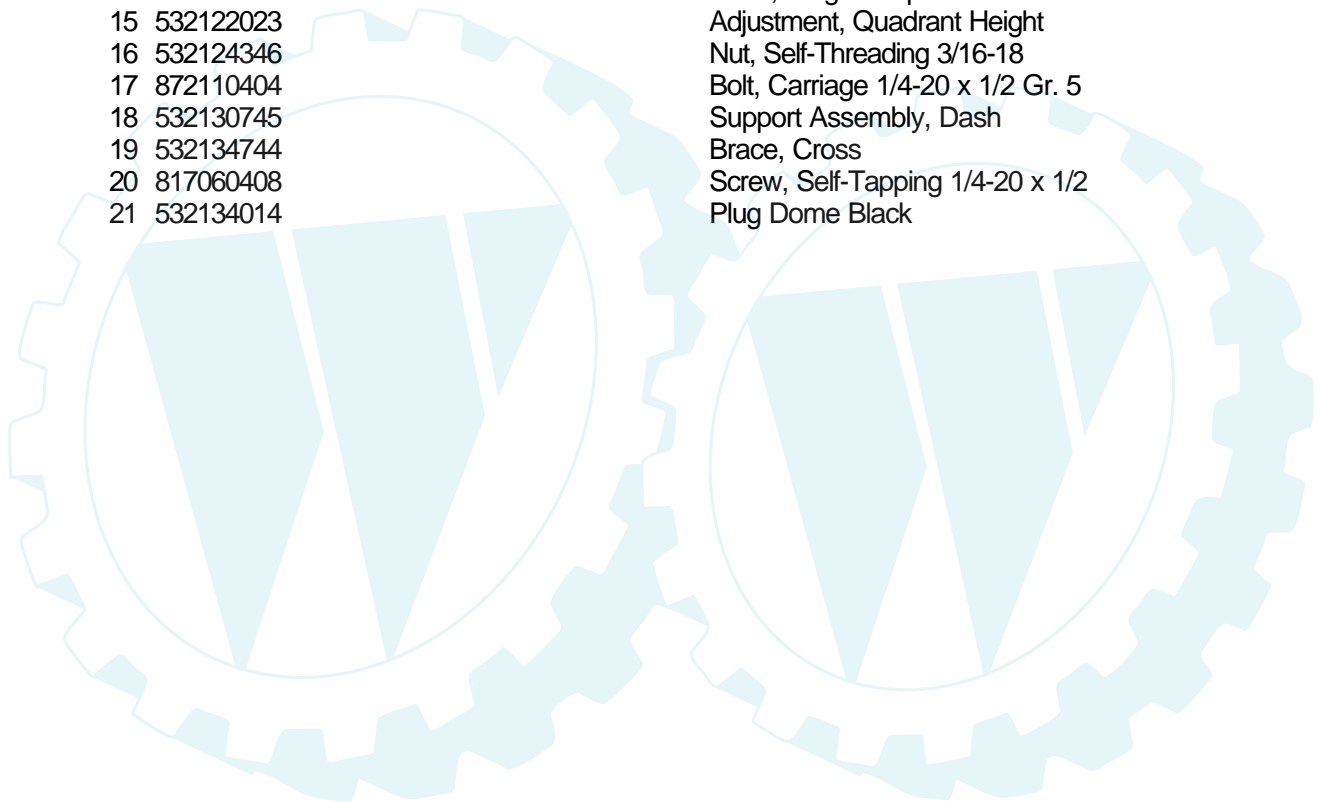
Ref #	Part Number	Qty	Description
1	532142671		Housing, Upper
2	532002274		Screw, Self-Tapping, Large 1/4-20 x .734
3	532134400		Ball, Detent
4	532105904		Spring, Detent
5	532105905		Screw, Set
6	532138235		Kit, Shifter Assembly
7	532134399		Boot, Shifter
8	532120951		Puck, Friction
9	532143051		Seal, Oil
10	532142672		Ring, Retaining
11	532134793		Assembly, Kit, Shim .625 Shaft Use in combinations to maintain proper clearances.
12	532143051		Bearing, Flange
13	532120415		Washer, Plain .632 x 1.38 x .046
14	532142674		Key, Woodruff, #9
15	532138234		Assembly, Kit, Input Shaft
16	532110078		Pinion, Bevel, 14 Teeth
17	532105909		Ring, Retaining
18	532105910		Chain, 24 Pitches
19	532105911		Bearing, Flange
20	532142675		Gear, Spur, 14 Teeth
21	532138246		Collar, Clutch
22	532138236		Assembly, Kit, Clutch Keys
23	532134791		Screw, Self-Tapping, with Sealer
24	532142676		Shaft, Intermediate
25	532002244		Key, Woodruff, #61
26	532105916		Ring, Retaining
27	532120470		Sprocket, 18 Teeth
28	532110070		Spacer
29	532142677		Gear, Spur, 37 Teeth
30	532120405		Gear, Spur, 30 Teeth
31	532108980		Gear, Spur, 25 Teeth
32	532120406		Gear, Spur, 22 Teeth
33	532134796		Gear, Spur, 19 Teeth
34	532134797		Spacer 1.133 x 1.50 x .375
35	532105925		Washer, Plain .640 x 1.37 x .061
36	532002232		Washer, Plain .632 x 1.00 x .026
37	532108978		Spacer .630 x 1.00 x .169
38	532110079		Assy, Gear, Combination of 12 & 35 Teeth
39	532124639		Shaft, Idler
40	532120472		Spacer .635 x .875 x .755
41	532105928		Sprocket, 9 Teeth
42	532110084		Gear, Bevel, 42 Teeth
43	532134394		Assembly, Kit, Shim .750 Shaft Use in combinations to maintain proper clearances.
44	532120473		Shaft, Drive
45	532142678		Gear, Spur, 12 Teeth
46	532120407		Gear, Spur, 20 Teeth
47	532106589		Gear, Spur, 25 Teeth
48	532120408		Gear, Spur, 28 Teeth
49	532105937		Gear, Spur, 31 Teeth
50	532105936		Spacer .781 x 1.00 x .375
51	532002226		Washer, Plain .632 x 1.00 x .060
52	532134401		Washer, Neoprene
53	532002264		Washer, Plain .758 x 1.25 x .031
54	532120474		Axle, I.H.
55	532110081		Gear, Miter, 15 Teeth

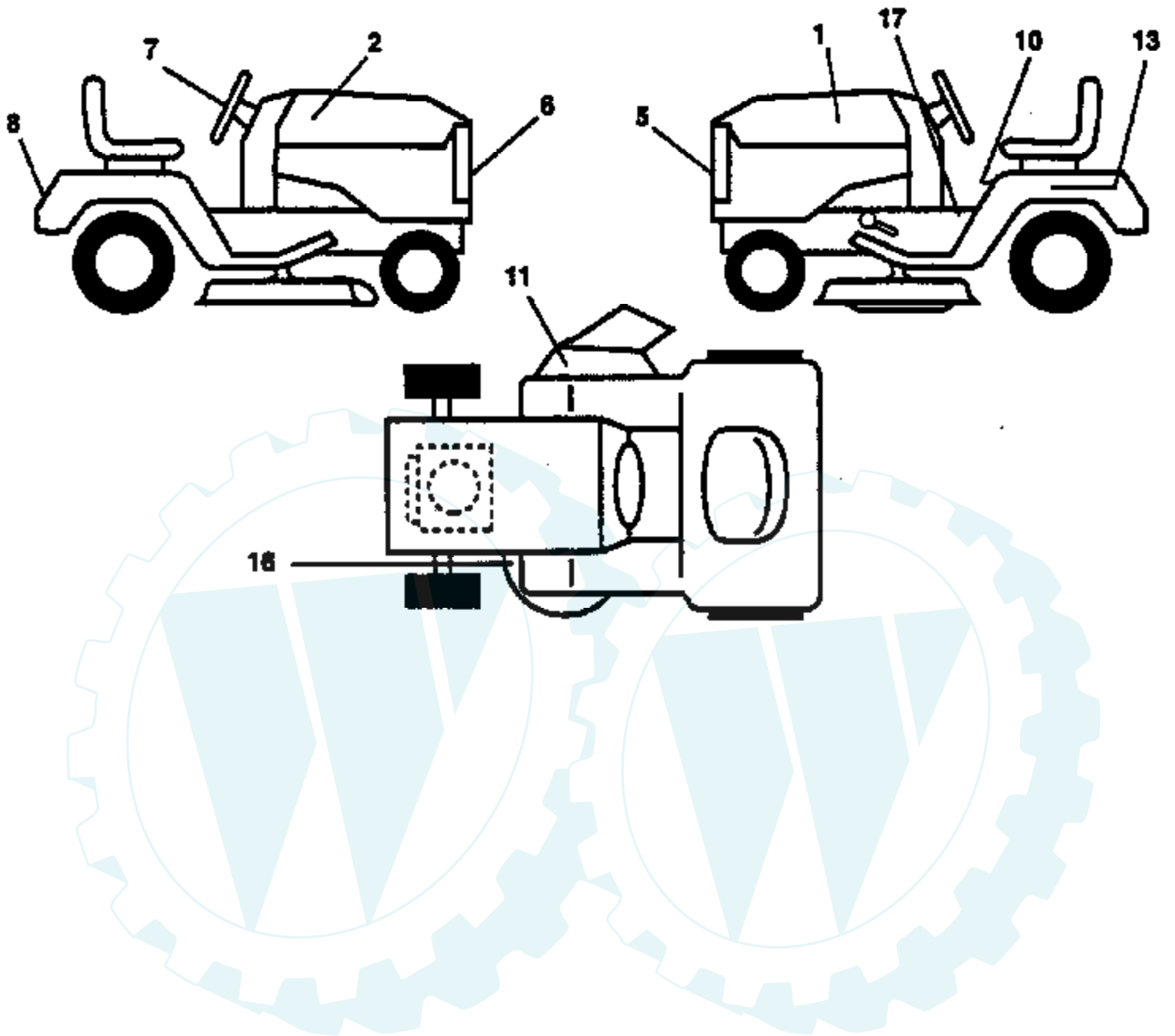
Ref #	Part Number	Qty	Description
56	532105941		Ring, Retaining
57	532110071		Gear, Spur, 32 Teeth
58	532120952		Shaft, Cross
59	532110082		Gear, Miter, 15 Teeth
60	532123908		Axle, R.H.
61	532142680		Housing, Lower
62	532120961		Puck, Friction
63	532007294		Disc, Brake
64	532108989		Spacer
65	532120953		Jaw, Brake
66	532120954		Pin, Dowel
67	532134799		Screw, Self-Tapping, Large 5/16-18 x 2.25
68	532138244		Lever, Actuating
69	532108996		Washer, Plain .321 x 1.00 x .055
70	532120956		Bracket, Anti-Rotation
71	873810500		Locknut 5/16-24
72	532106596		Screw, Self-Tapping, Large 5/16-18 x 1.44
73	532120416		Grease



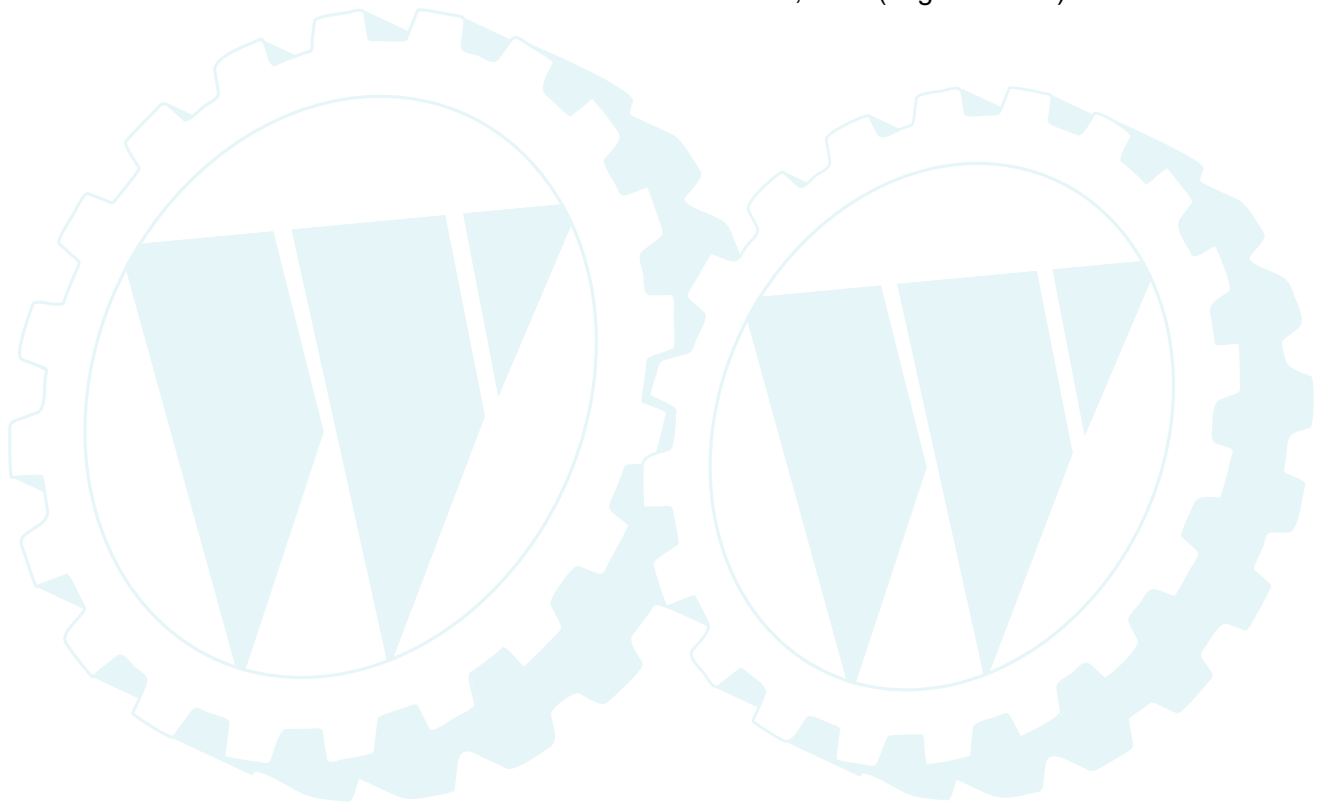


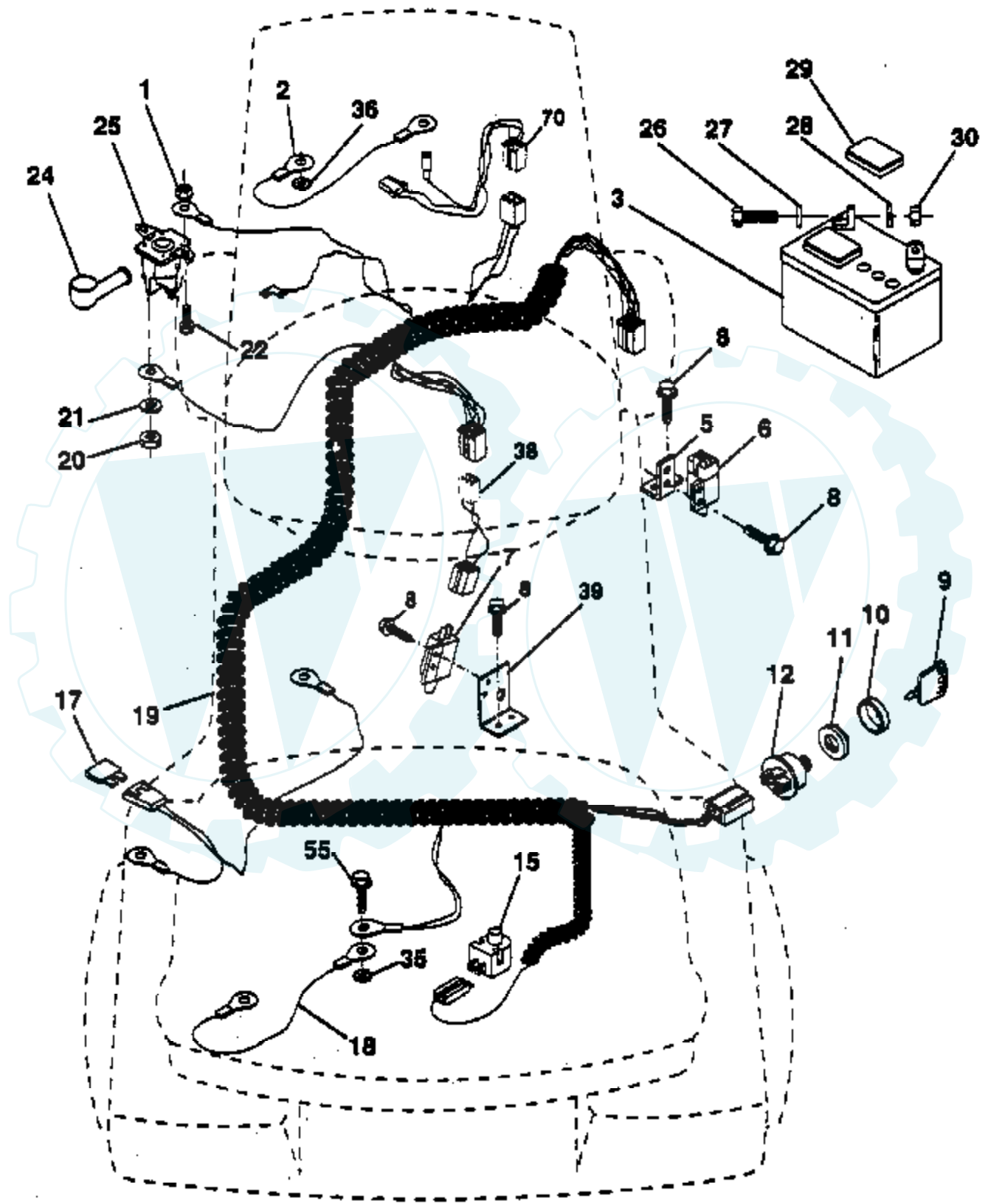
Ref #	Part Number	Qty	Description
1	532141523		Cap, Fuel
2	532138393		Assembly, Dash & Fuel Tank
3	532123487		Clamp, Hose
4	532008544		Line, Fuel
5	532008548		Line, Fuel
6	873510400		Nut, Hex, Keps 1/4-20
7	532124996		Clip, Fuel Line
8	819091216		Washer 9/32 x 3/4 x 16 Ga.
9	874760428		Bolt, Hex, Fin 1/4-20 x 1-3/4
10	819091413		Washer 11/32 x 11/16 x 16 Ga.
11	532121249		Spacer, Split
12	532003720		Spring
13	532126450		Clip, Height Adjustment
14	532126115		Knob, Height Stop
15	532122023		Adjustment, Quadrant Height
16	532124346		Nut, Self-Threading 3/16-18
17	872110404		Bolt, Carriage 1/4-20 x 1/2 Gr. 5
18	532130745		Support Assembly, Dash
19	532134744		Brace, Cross
20	817060408		Screw, Self-Tapping 1/4-20 x 1/2
21	532134014		Plug Dome Black



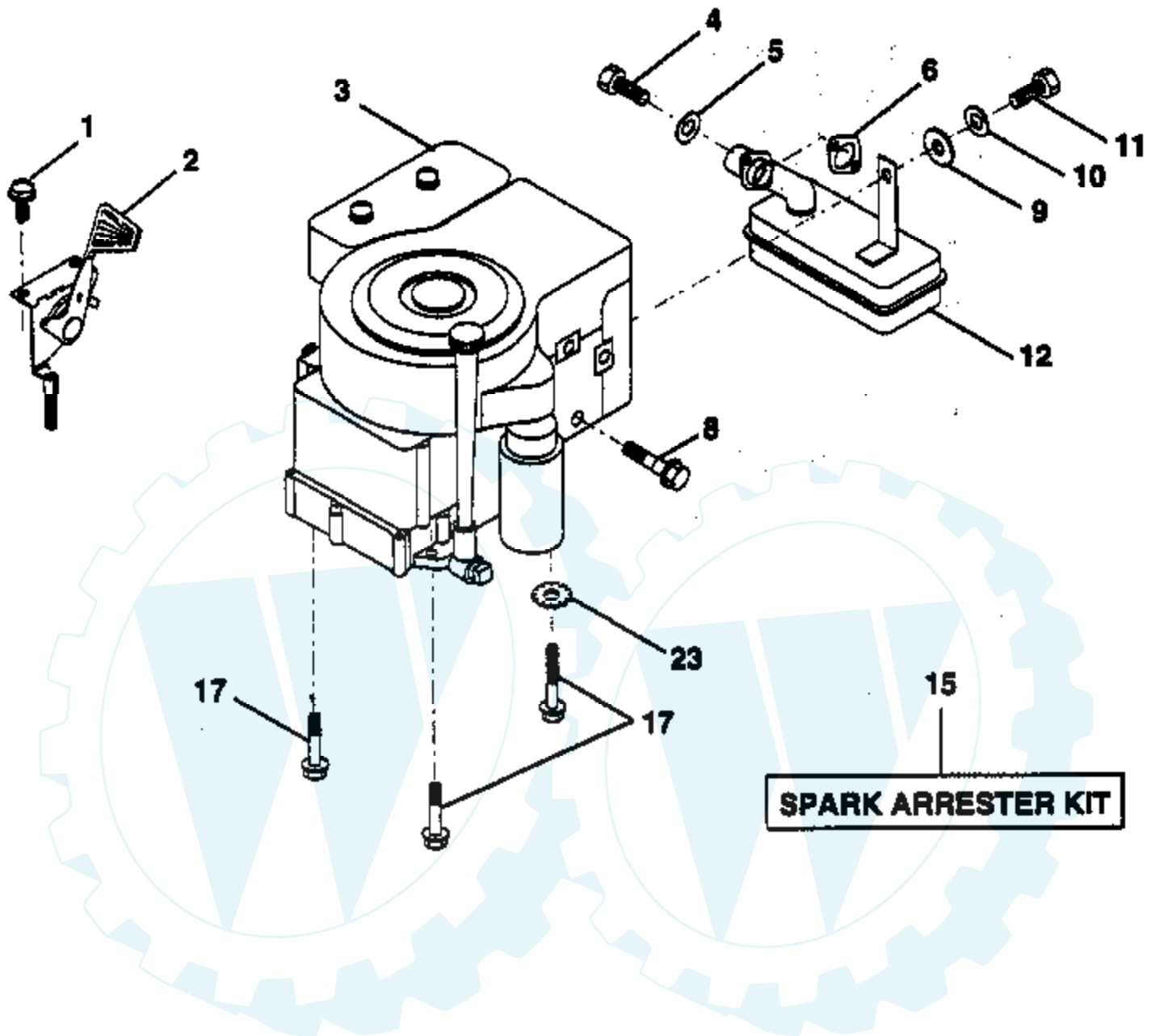


Ref #	Part Number	Qty	Description
1	532142781		Decal, Hood, L. H.
2	532142780		Decal, Hood, R. H.
5	532127630		Decal, Grill
6	532126860		Decal, Lightbox
7	532143019		Decal, Insert, Stg. Whl.
8	532133900		Decal, Fender
10	532133795		Decal, Caution, Fender
11	532137259		Decal, Warning, Cut Finger, (Multi-Lang)
13	532121549		Decal, Caution, Battery
16	532136830		Decal, V-Belt Sch.
17	532138269		Decal, Inst. Oper.
	532138698		Manual, Oper. (English) Not Shown.
	532138699		Manual, Oper. (French) Not Shown.
	532142627		Manual, Parts (English/French) Not Shown.



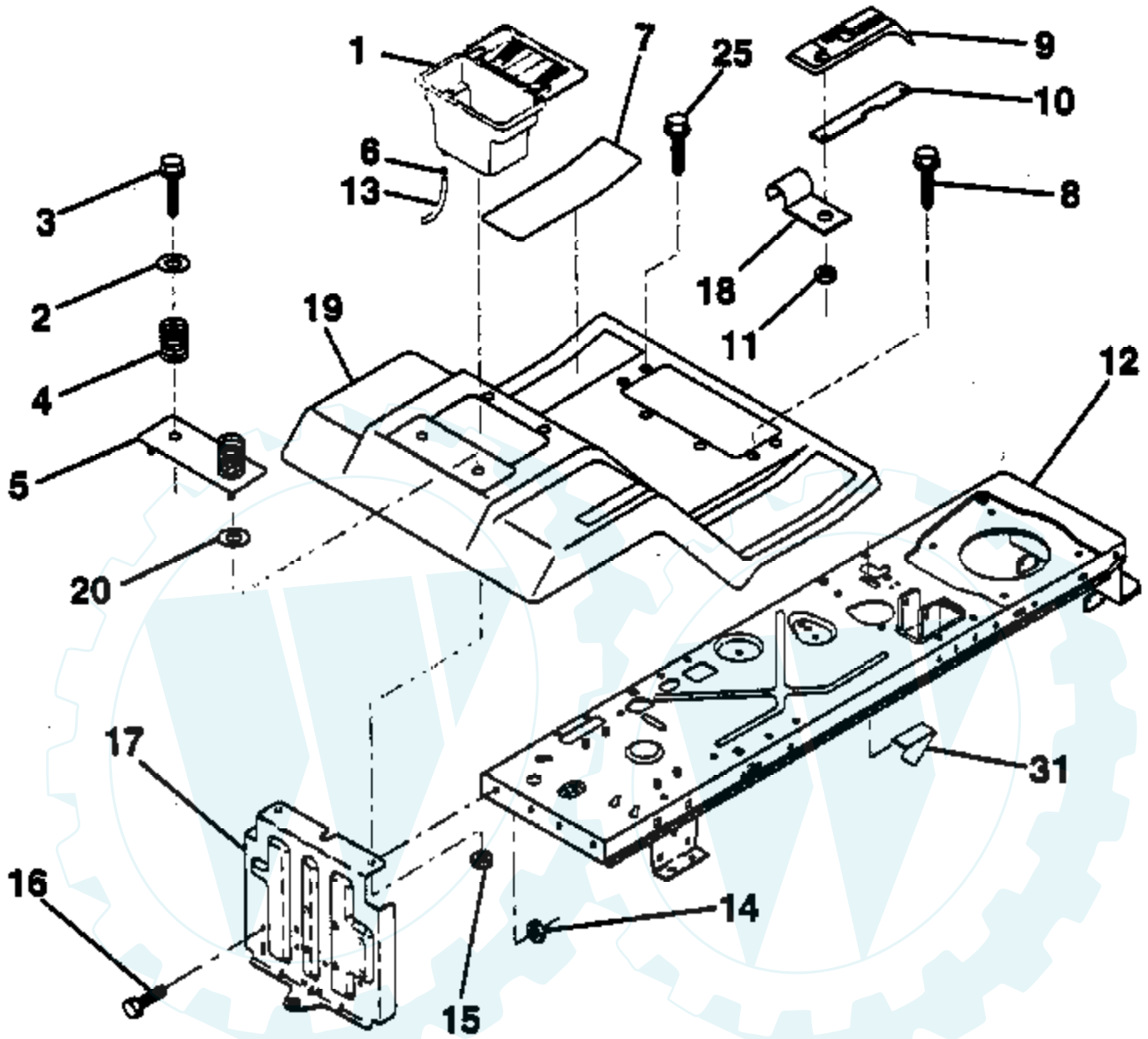


Ref #	Part Number	Qty	Description
1	873510400		Nut, Hex Keps 1/4-20
2	532108423		Assembly, Cable
3	532133909		Battery
5	532108236		Bracket, Switch
6	532109553		Switch, Interlock (4-terminal)
7	532104445		Switch, Interlock (2-terminal)
8	817021008		Screw, Hex Hd. Tap #10-24 x 1/2
9	532140402		Key, Steel Delta
10	532141226		Cover, Key Ignition
11	532140400		Nut, Ignition
12	532140399		Switch, Ignition
15	532121305		Switch, Plunger
17	532108824		Fuse
18	532128353		Assembly, Cable
19	532143131		Harness, Ignition
20	873350400		Nut, Hex Jam 1/4-20
21	810090400		Washer, Lock 1/4
22	874780408		Bolt, Fin. Hex 1/4-20 UNC x 1/2 Gr. 5
24	532131563		Cover, Terminal
25	532138406		Solenoid
26	874760412		Bolt, Hex Hd. 1/4-20 UNC x 3/4
27	819091016		Washer 9/32 x 5/8 x 16
28	810040400		Washer, Lock 1/4
29	532121264		Cap, Battery
30	873220400		Nut, Fin. Hex 1/4-20 UNC
35	811050500		Washer Lock Ext. Tooth 5/16
36	811150400		Washer Lock Inter. Tooth 1/4
38	532140660		Adapter Harness
39	532141735		Bracket Switch Clutch
40	817490508		Screw, Thdrol 5/16-18 x 1/2
70	532140413		Harness Engine

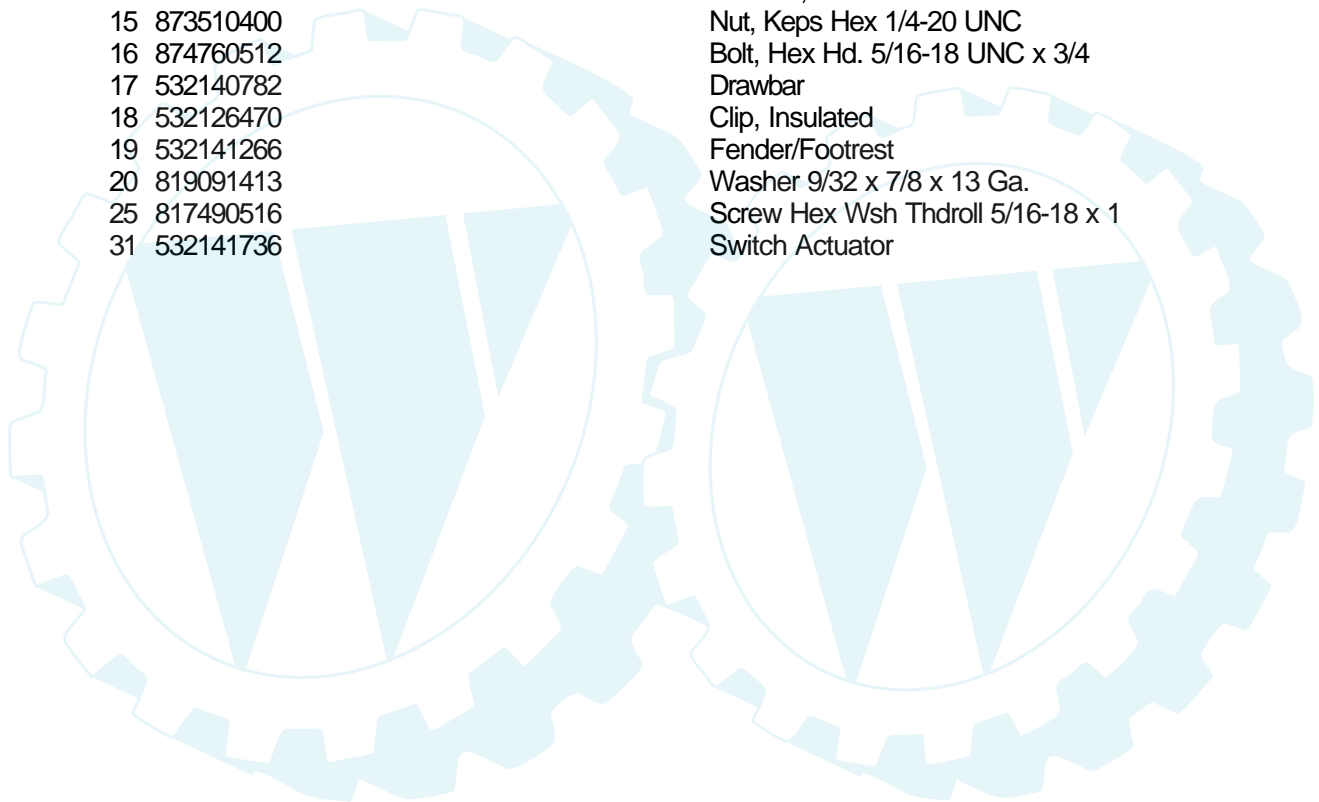


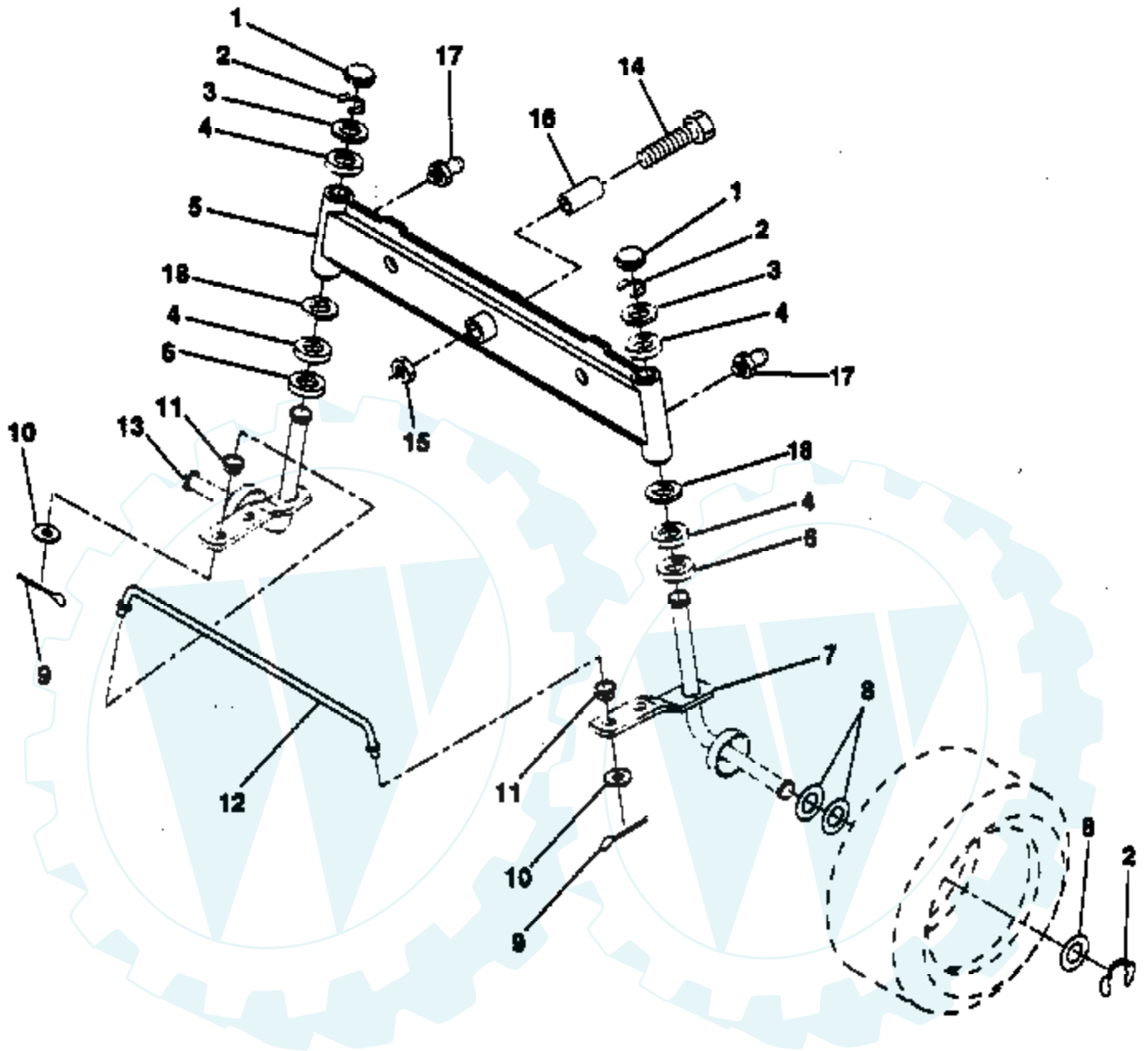
Ref #	Part Number	Qty	Description
1	817060408		Screw, Hex Thd. Cut 1/4-20 x 1/2
2	532132752		Control, Throttle
4	871070512		Screw, Hex, Cap 5/16-18 x 3/4
5	810040500		Washer, Lock Heavy Helical Spring 5/16
6	532125593		Gasket, Exhaust
8	532121094		Bolt, Shoulder 5/16
9	819101216		Washer 5/16 x 3/4 x 16
10	810040400		Washer, Lock Hvy Hlcl Spring 1/4
12	532137437		Muffler
15	532137180		Arrester, Spark (Optional equipment)
17	817490624		Screw, Hex Washer Head, Thdrol. 3/8-16 x 1-1/2
23	811050600		Washer, Lock Ext. Tooth 3/8



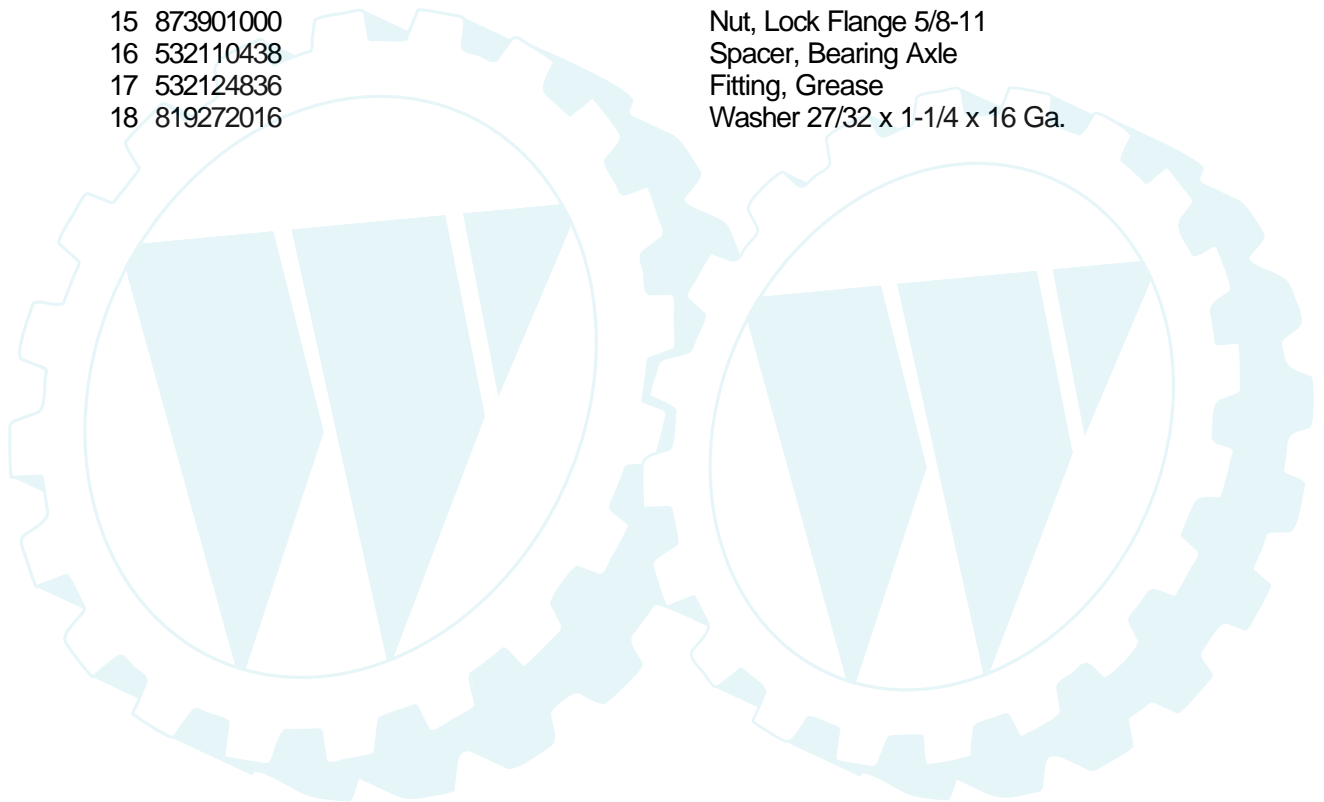


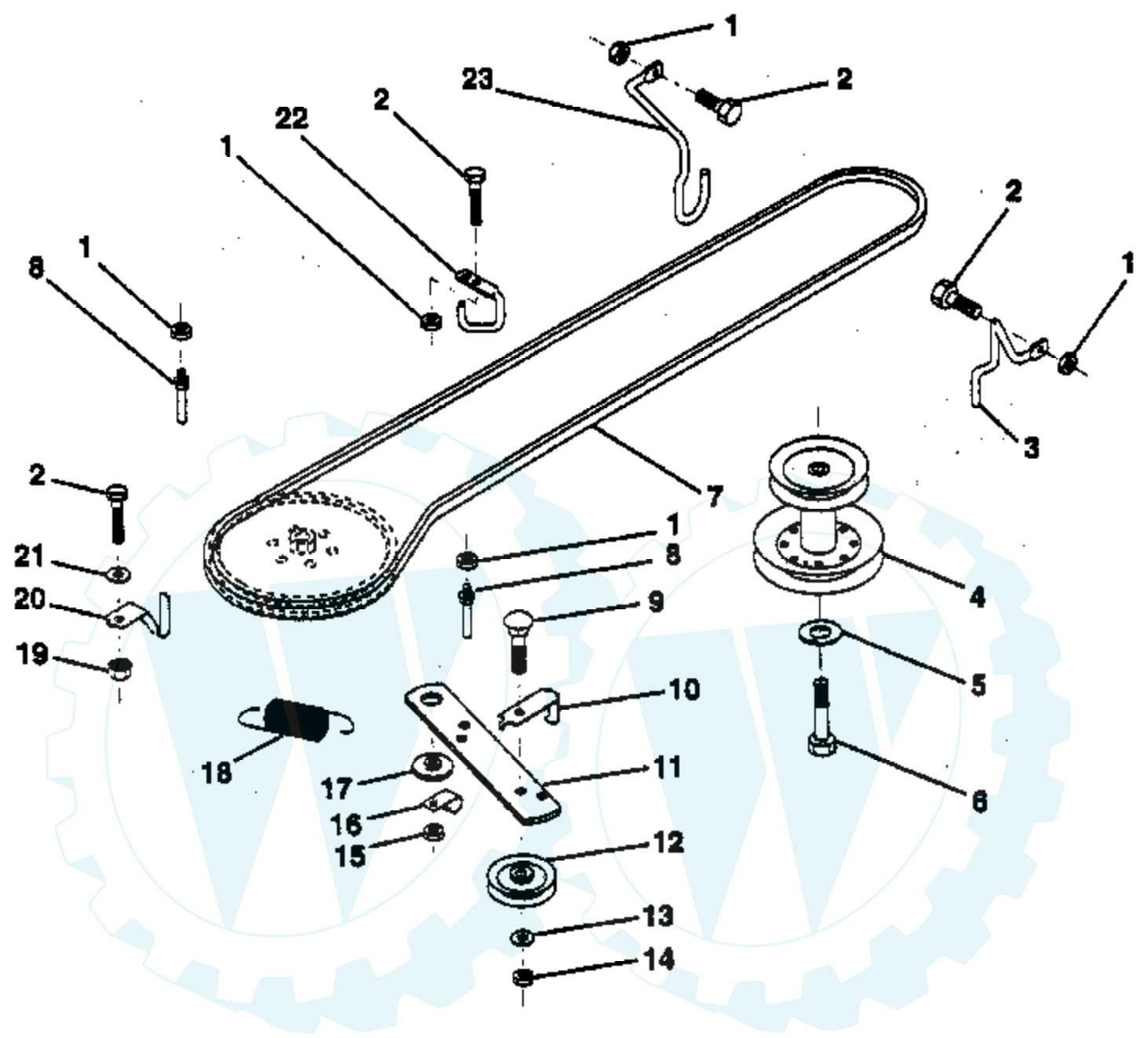
Ref #	Part Number	Qty	Description
1	532129965		Case, Battery
2	819132012		Washer 13/32 x 1-1/4 x 12 Ga.
3	817490612		Screw, Hex Wsh. Thrdrol. 3/8-16 x 3/4
4	532124181		Spring, Compression, Seat
5	532125139		Plate, Asm. Battery
6	532109596		Clamp, Hose
7	532124144		Pad, Footrest
8	817490512		Screw, Hex Wsh Thdrol. 5/16-18 x 3/4
9	532126994		Console, Shift Control
10	532139783		Bar, Shift Lock
11	532124346		Nut, Self-Thrd., Wsh. Head 3/16
12	532140784		Assembly, Frame
13	532109238		Tube, Battery Drain
14	873800500		Locknut, Hex W/Ins 5/16-18
15	873510400		Nut, Keps Hex 1/4-20 UNC
16	874760512		Bolt, Hex Hd. 5/16-18 UNC x 3/4
17	532140782		Drawbar
18	532126470		Clip, Insulated
19	532141266		Fender/Footrest
20	819091413		Washer 9/32 x 7/8 x 13 Ga.
25	817490516		Screw Hex Wsh Thdroll 5/16-18 x 1
31	532141736		Switch Actuator



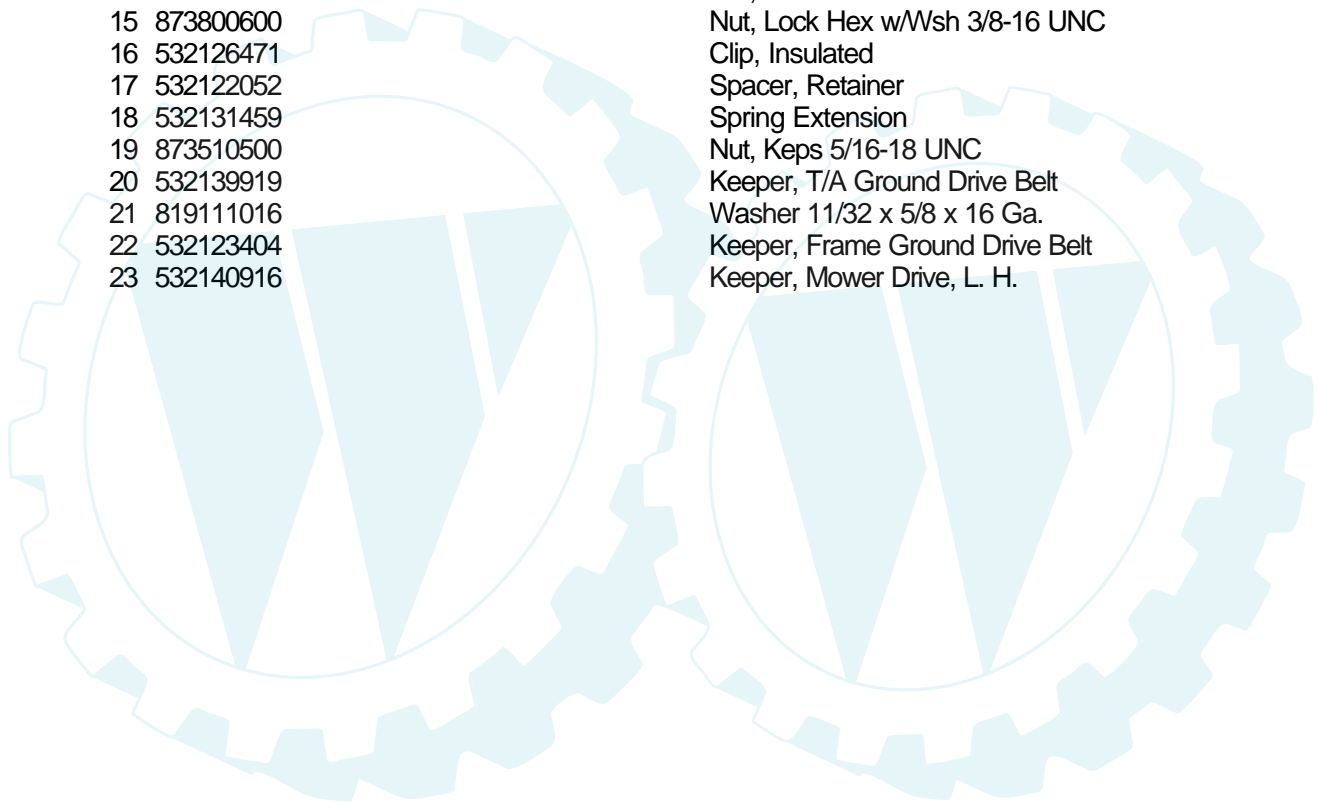


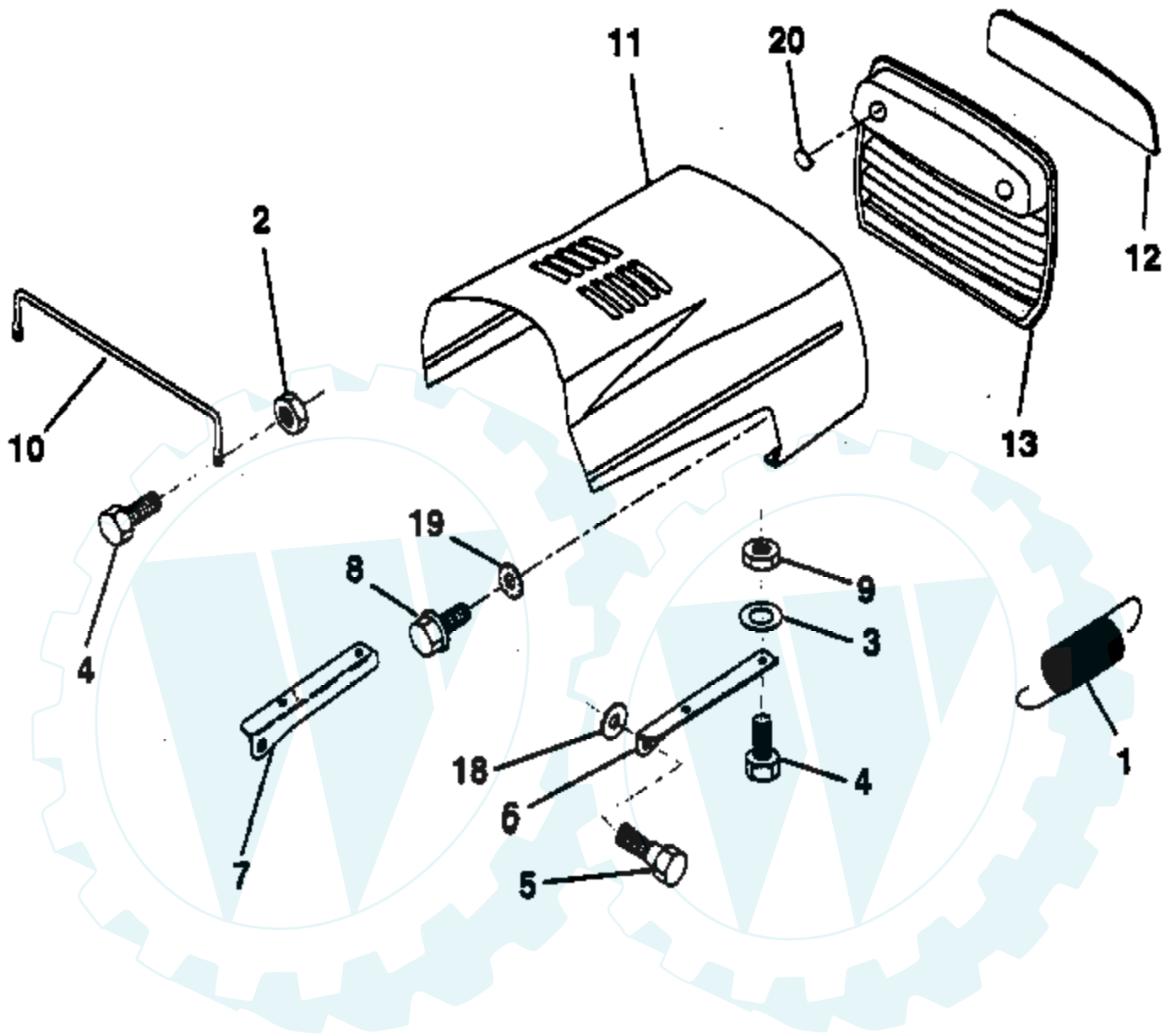
Ref #	Part Number	Qty	Description
1	532121232		Cap, Spindle
2	812000029		Ring, Clip
3	532121748		Washer 25/32 x 1-5/8 x 16 Ga.
4	532124937		Nyliner
5	532142033		Axle, Front
6	532124931		Bearing, Thrust
7	532137062		Spindle, R.H. Asm.
8	532121749		Washer 25/32 x 1-1/4 x 16 Ga.
9	876020412		Pin, Cotter 1/8 x 3/4
10	819131316		Washer 13/32 x 13/16 x 16 Ga.
11	532126847		Bushing
12	532130465		Rod, Tie
13	532137061		Spindle, L.H. Asm.
14	874011056		Bolt Hex 5/1-11 x 3-1/2
15	873901000		Nut, Lock Flange 5/8-11
16	532110438		Spacer, Bearing Axle
17	532124836		Fitting, Grease
18	819272016		Washer 27/32 x 1-1/4 x 16 Ga.



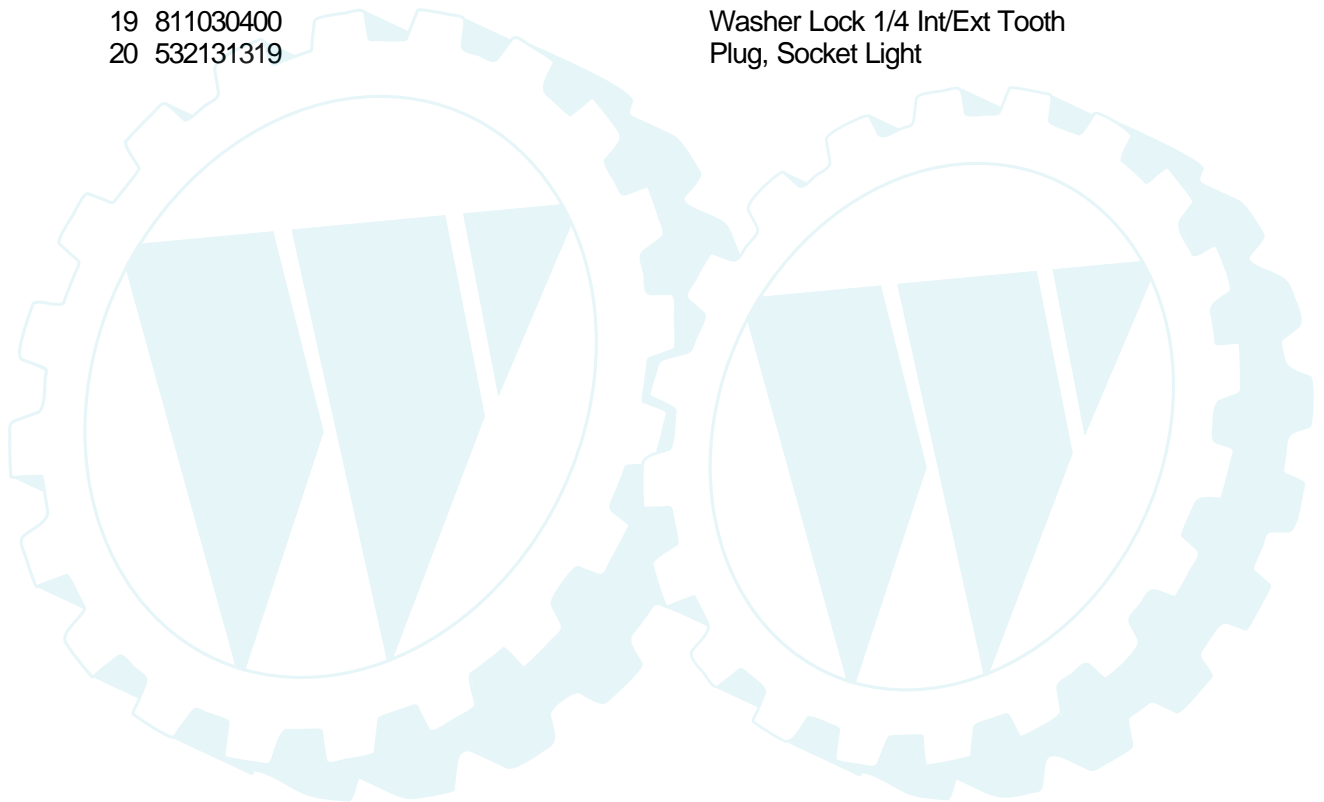


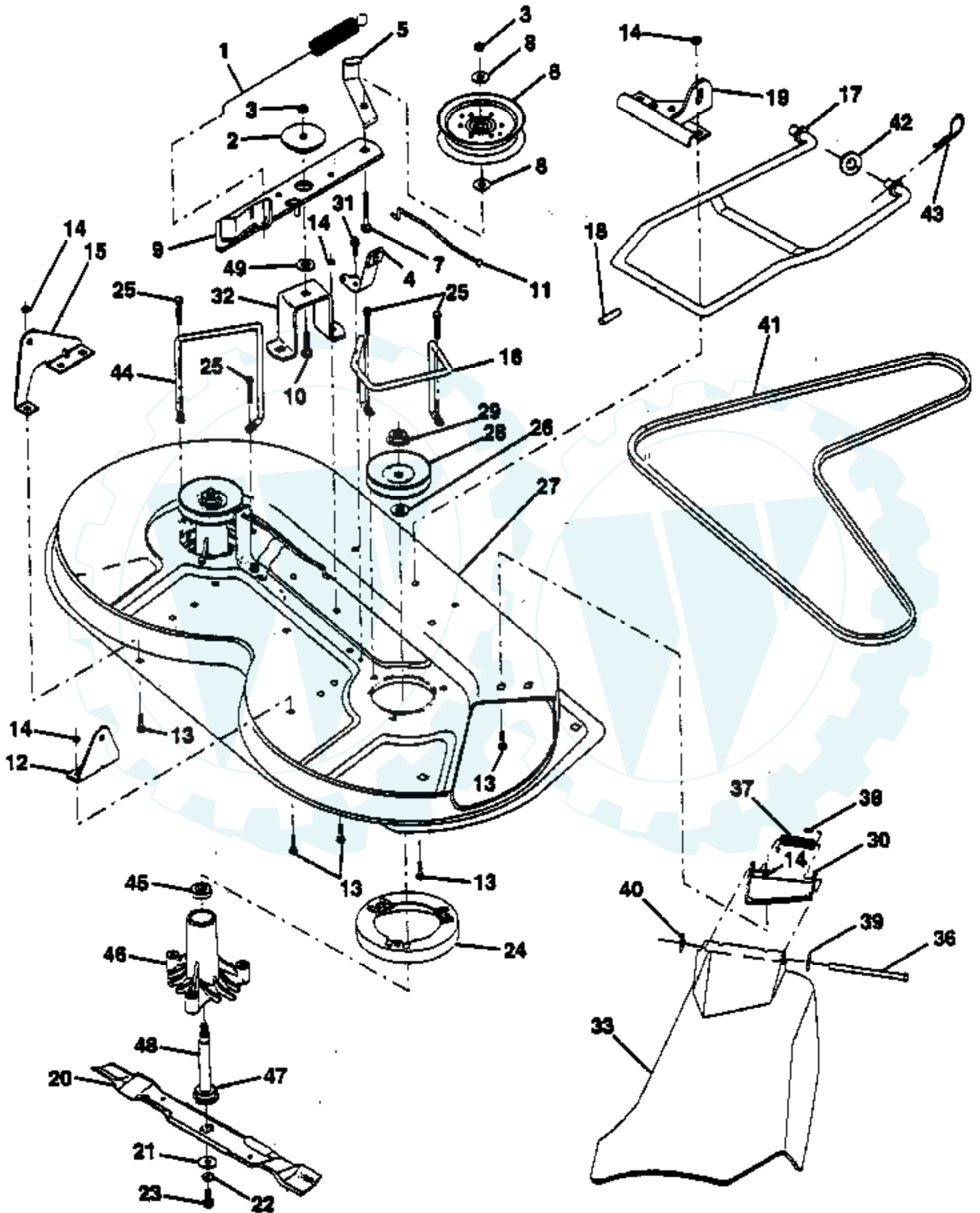
Ref #	Part Number	Qty	Description
1	873800500		Locknut, Hex w/Ins 5/16-18
2	874760512		Bolt, Hex Hd 5/16-18 UNC x 3/4
3	532141342		Keeper, Mower Drive, R. H.
4	532138029		Pulley, Engine
5	810040700		Washer, Lock 7/16
6	871170744		Bolt Hex 7/16-20 Gr. 5
7	532124525		Traction, V-Belt Drive
8	532123405		Keeper, T/A Ground Drive Belt
9	872140612		Bolt, Carr. 3/8-16 UNC x 1-1/2
10	532123396		Keeper, Belt Ground Drive Idler
11	532140911		Arm, Ground Drive Clutch
12	532123674		Idler, Flat
13	819131316		Washer 13/32 x 13/16 x 16 Ga.
14	873930600		Nut, Centerlock 3/8-16 UNC
15	873800600		Nut, Lock Hex w/Wsh 3/8-16 UNC
16	532126471		Clip, Insulated
17	532122052		Spacer, Retainer
18	532131459		Spring Extension
19	873510500		Nut, Keps 5/16-18 UNC
20	532139919		Keeper, T/A Ground Drive Belt
21	819111016		Washer 11/32 x 5/8 x 16 Ga.
22	532123404		Keeper, Frame Ground Drive Belt
23	532140916		Keeper, Mower Drive, L. H.



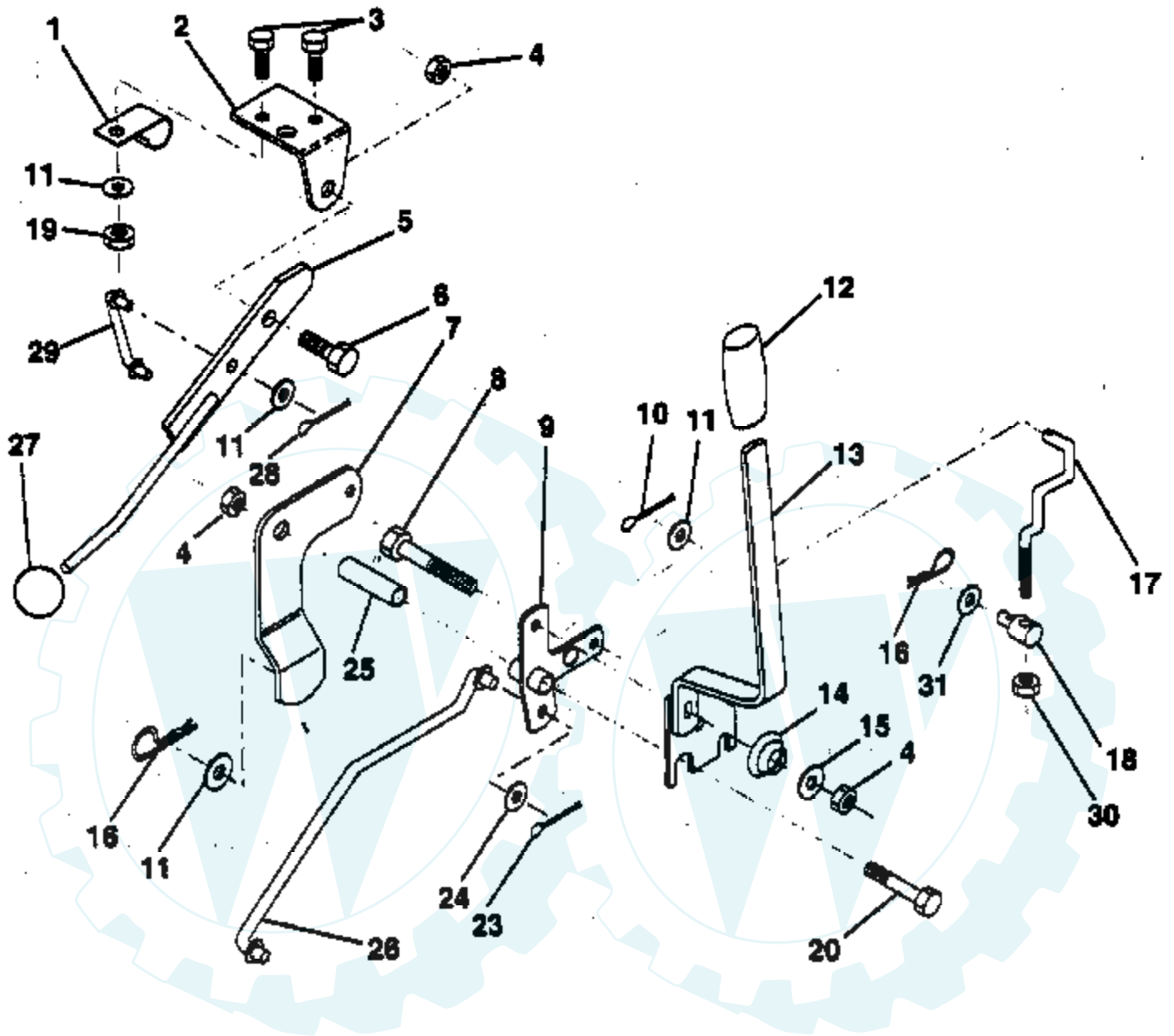


Ref #	Part Number	Qty	Description
1	532124657		Extension, Spring
2	873510400		Nut, Hex, Keps 1/4-20
3	819091416		Washer, 9/32 x 7/8 x 16 Ga.
4	874780412		Bolt, Hex Fin 1/4-20 x 3/4 Gr. 5
5	532126675		Bolt, Shoulder
6	532122549		Bracket, Hood R. H.
7	532122548		Bracket, Hood L.H.
8	817521310		Screw Sltd. Hex Hd W/PL Washer
9	873800400		Nut Lock W/Insert 1/4-20 UNC
10	532123693		Brace, Hood
11	532144647		Hood
12	532122035		Lens Clear Bar
13	532127029		Grille
18	819111116		Washer 11/32 x 11/16 x 16 Ga.
19	811030400		Washer Lock 1/4 Int/Ext Tooth
20	532131319		Plug, Socket Light

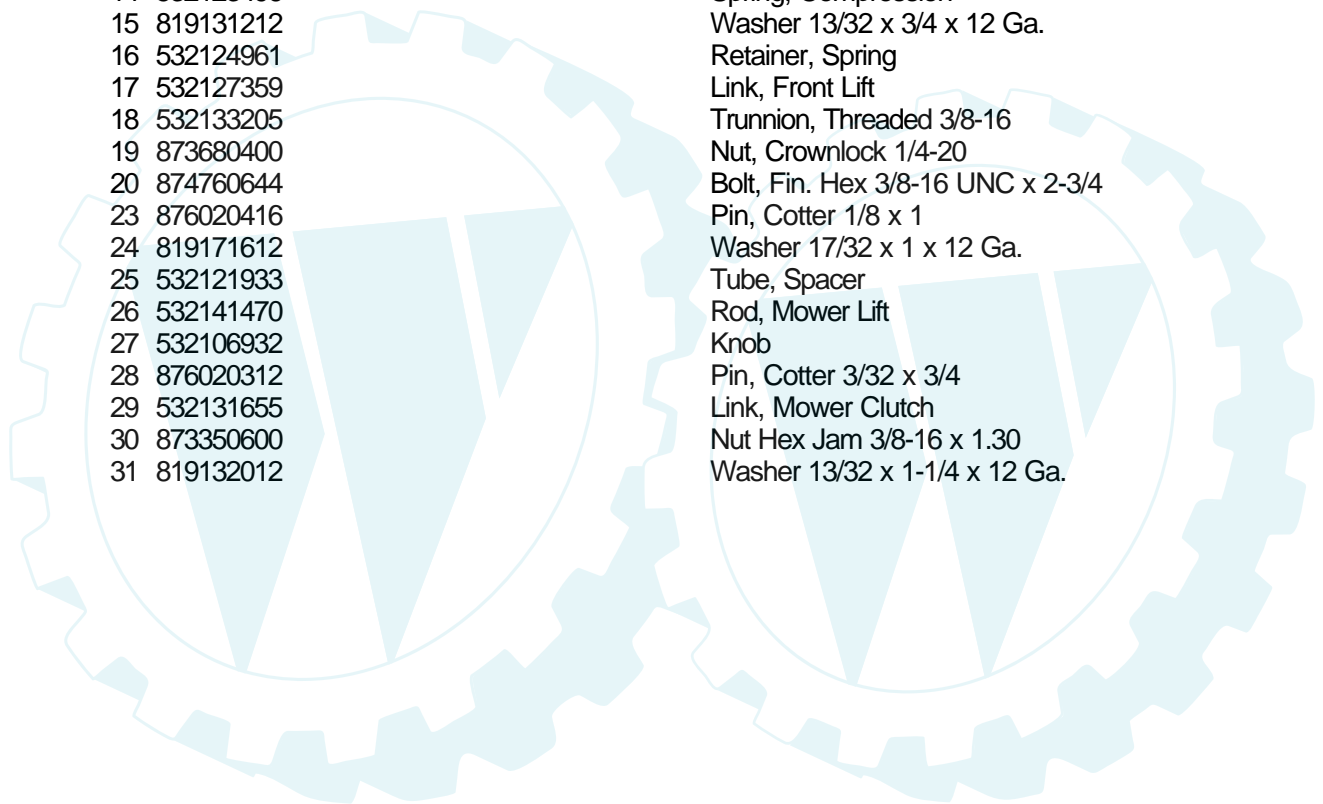


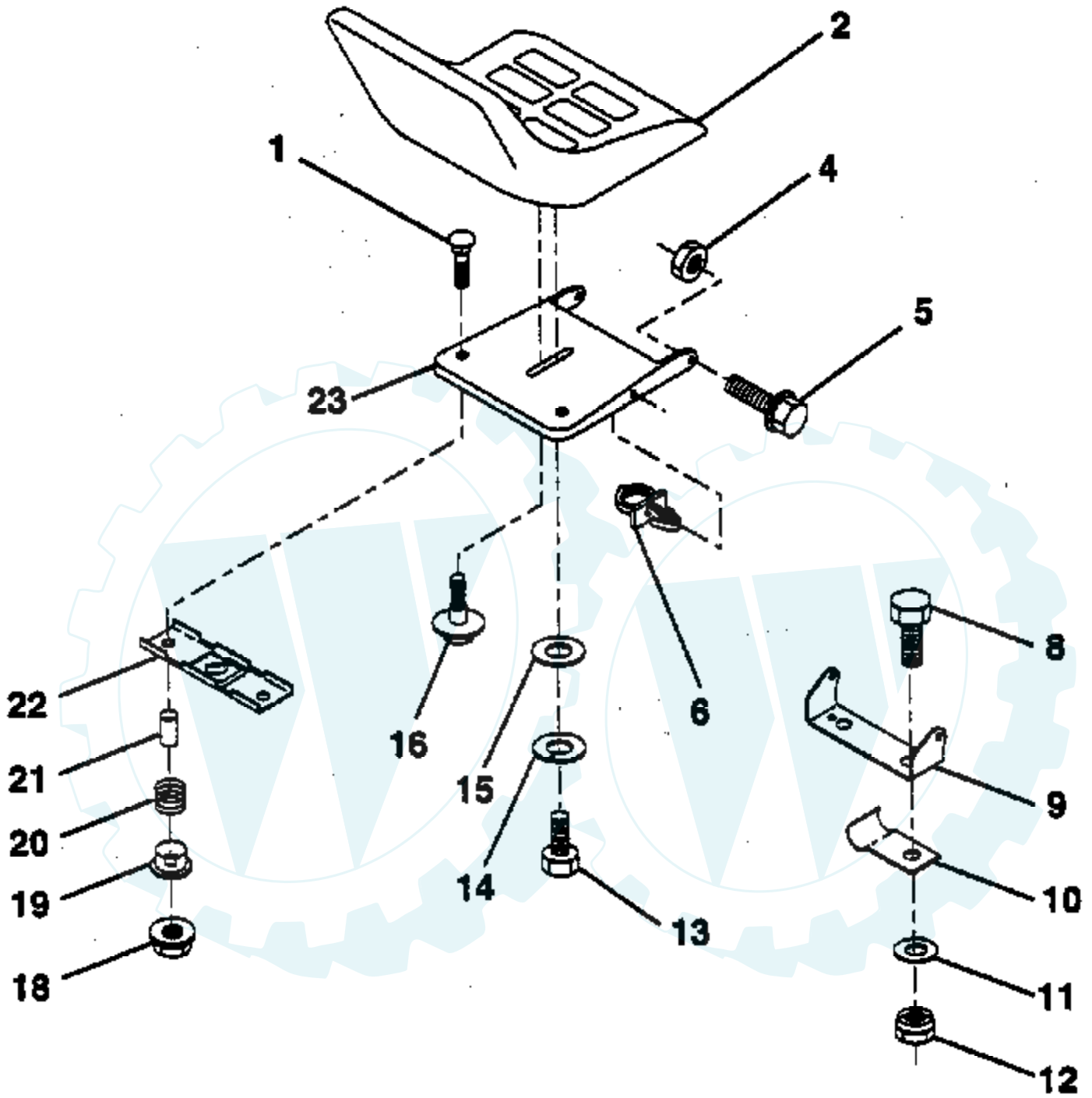


Ref #	Part Number	Qty	Description
1	532140064		Spring, Mower Clutch
2	532122052		Spacer, Retainer
3	873800600		Nut, Lock Hex w/Wsh 3/8-16
4	532130840		Brake Asm.
5	532131251		Guide, Belt Idler
6	532121316		Pulley, Flat Idler
7	872110616		Bolt, Carr. 3/8-16 x 1-3/4 Gr. 5
8	819131410		Washer 13/21 x 7/8 x 10 Ga.
9	532127744		Arm Asm., Idler Mower
10	872140610		Bolt, Carriage 3/8-16 x 1-1/4
11	532130841		Rod, Brake
12	532127356		Bracket, Lift R. H. Rear
13	872140505		Bolt, Carriage 5/16-18 x 5/8
14	873800500		Locknut, Hex w/Ins 5/16-18
15	532127357		Bracket, Lift L. H. Rear
16	532140093		Keeper, R. H.
17	532128508		Link, Asm. Mower Stabilizer
18	532128511		Pin, Drive
19	532127380		Bracket, Asm. Front
20	532140101		Blade Mulching
21	532140296		Washer, Hard
22	810030600		Washer, Lock 3/8
23	532850857		Bolt 3/8-24 x 1-1/4 Gr. 8
24	532140329		Stripper
25	532138776		Screw Thdrol Hex Hd
26	532129963		Washer .150 Thk.
27	532129983		Deck Assembly
28	532129207		Pulley, Mandrel
29	532137266		Nut, Flangelock 9/16
30	532136631		Bracket, Asm. Deflector
31	817490508		Screw, Hex Wsh. Thdrol. 5/16-18 x 1/2
32	532122051		Arm, Support Idler Mower
33	532131560		Deflector
36	532121980		Rod, Hinge
37	532123713		Spring, Torsion Deflector
38	532105304		Cap, Sleeve
39	819111016		Washer 11/32 x 5/8 x 16 Ga.
40	532110452		Pushnut
41	532131264		V-Belt
42	819171616		Washer 11/32 x 5/8 16 Ga.
43	532124660		Retainer, Spring
44	532140608		Keeper, L. H.
45	532110485		Bearing
46	532128774		Housing Mandrel Vented
47	532129895		Bearing
48	532137645		Shaft, Mandrel (Includes Key # 47)
49	532133943		Washer, Hardened
	532130794		Mandrel Asm. (Inc. 22-23, 26, 29 & 45-48) Not Shown.
	532140979		Deck, Mower Complete Not Shown.

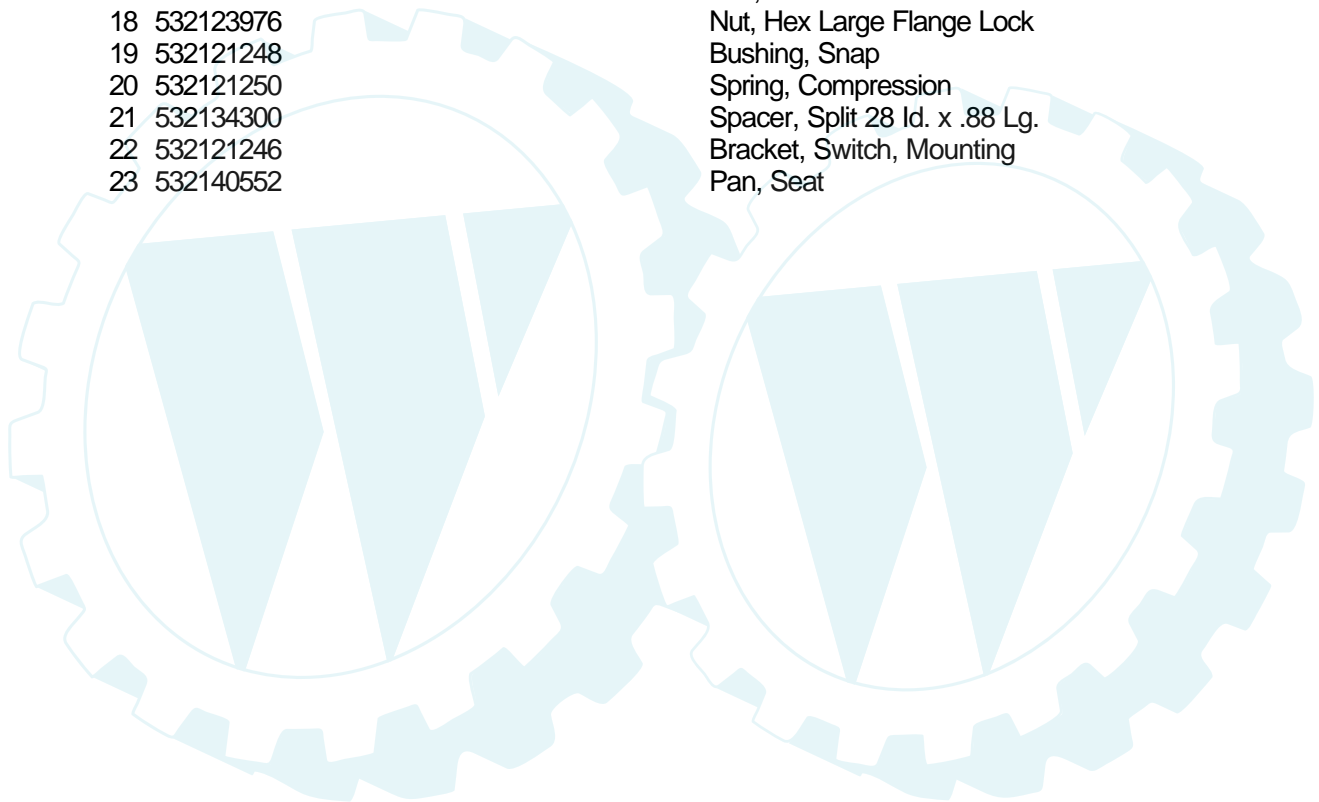


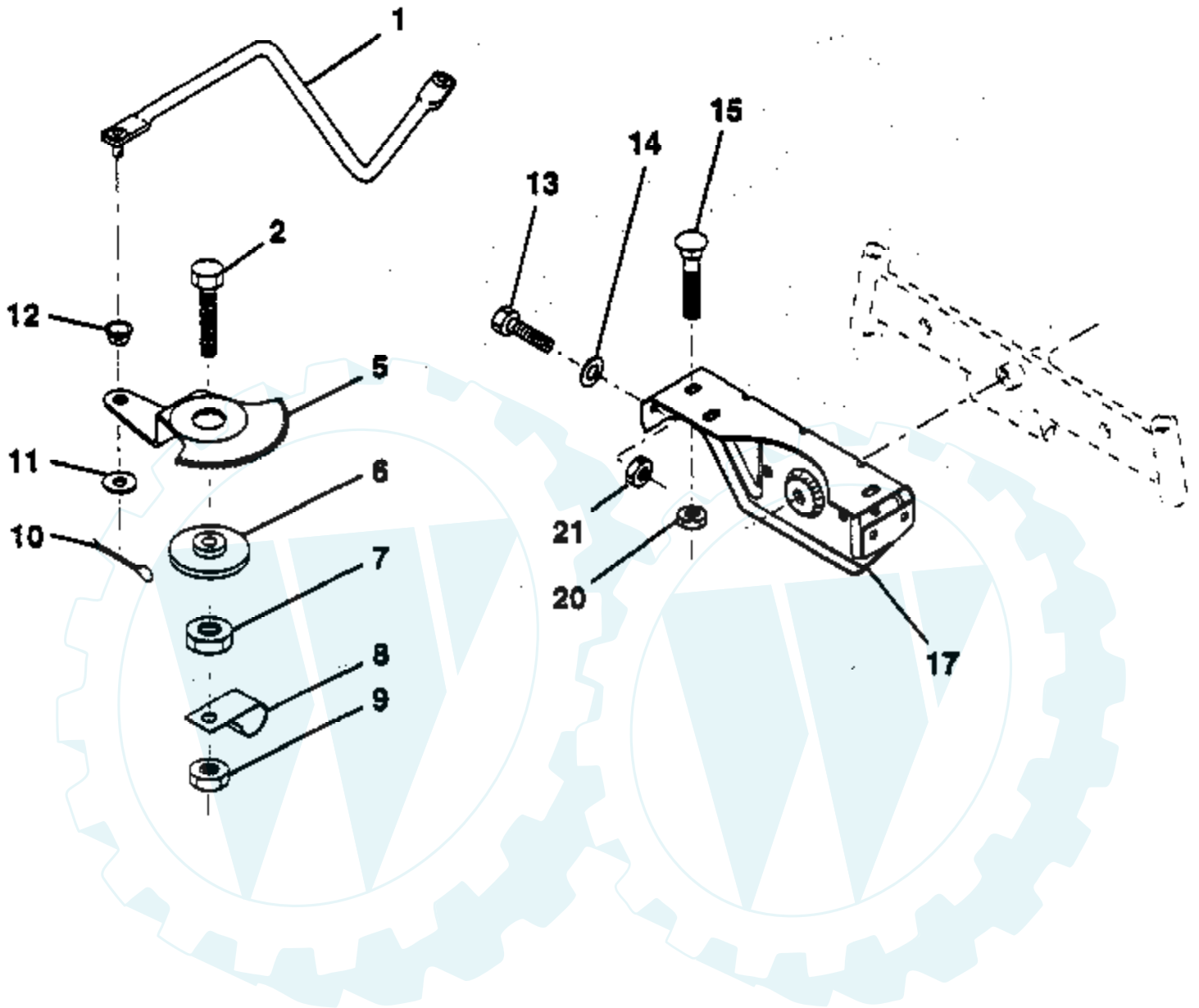
Ref #	Part Number	Qty	Description
1	532126470		Clip, Insulated
2	532122018		Bracket, Mower Clutch
3	874780408		Bolt, Fin. Hex 1/4-20 UNC x 1/2 Gr. 5
4	873800600		Nut, Lock Hex w/Wsh 3/8-16
5	532123417		Assembly, Clutch Lever
6	532106451		Bolt, Shoulder
7	532135371		Assembly, Mower Clutch Arm
8	874760636		Bolt, Hex 3/8-16 UNC x 2-1/4
9	532121930		Assembly, Bellcrank Lift
10	876020412		Pin, Cotter 1/8 x 3/4
11	819131316		Washer 13/32 x 13/16 x 16 Ga.
12	532131861		Grip, Handle
13	532139352		Assembly, Lift Handle
14	532123496		Spring, Compression
15	819131212		Washer 13/32 x 3/4 x 12 Ga.
16	532124961		Retainer, Spring
17	532127359		Link, Front Lift
18	532133205		Trunnion, Threaded 3/8-16
19	873680400		Nut, Crownlock 1/4-20
20	874760644		Bolt, Fin. Hex 3/8-16 UNC x 2-3/4
23	876020416		Pin, Cotter 1/8 x 1
24	819171612		Washer 17/32 x 1 x 12 Ga.
25	532121933		Tube, Spacer
26	532141470		Rod, Mower Lift
27	532106932		Knob
28	876020312		Pin, Cotter 3/32 x 3/4
29	532131655		Link, Mower Clutch
30	873350600		Nut Hex Jam 3/8-16 x 1.30
31	819132012		Washer 13/32 x 1-1/4 x 12 Ga.



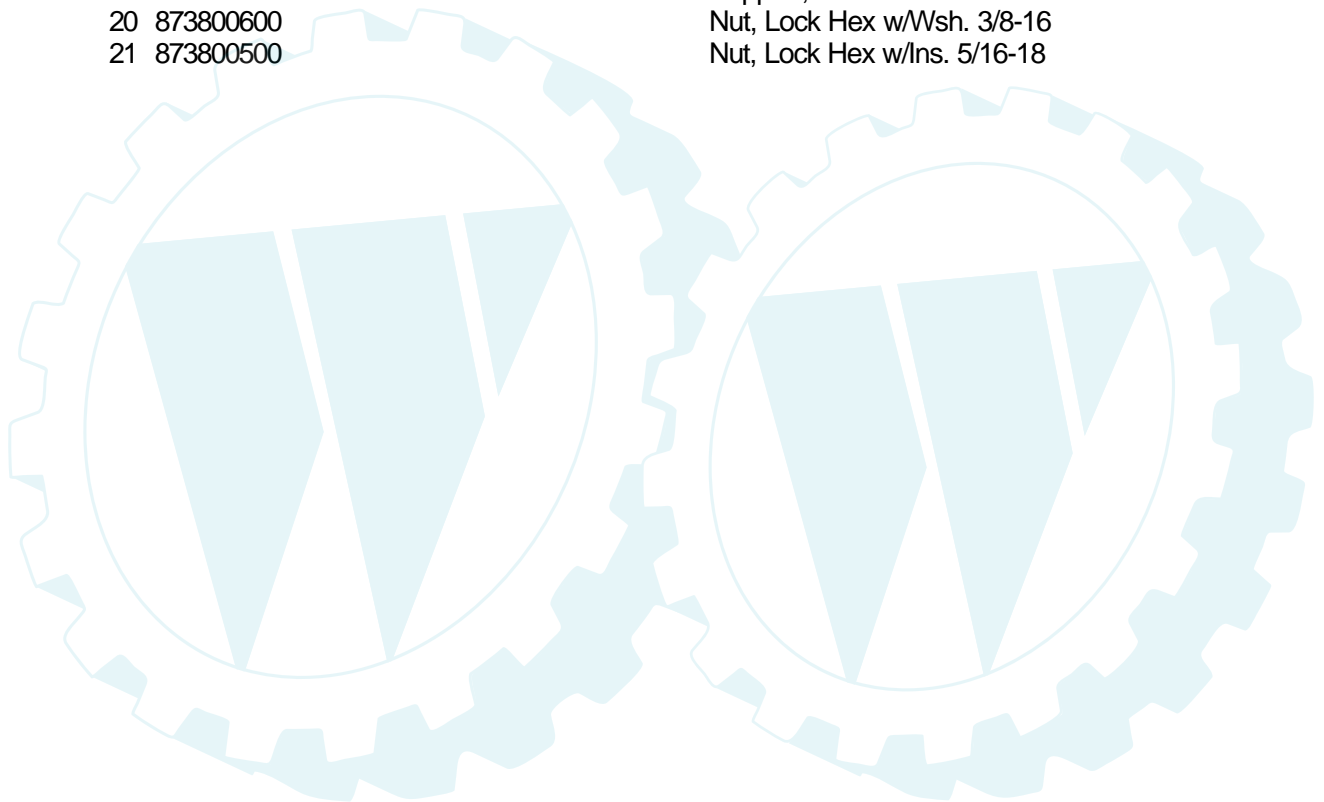


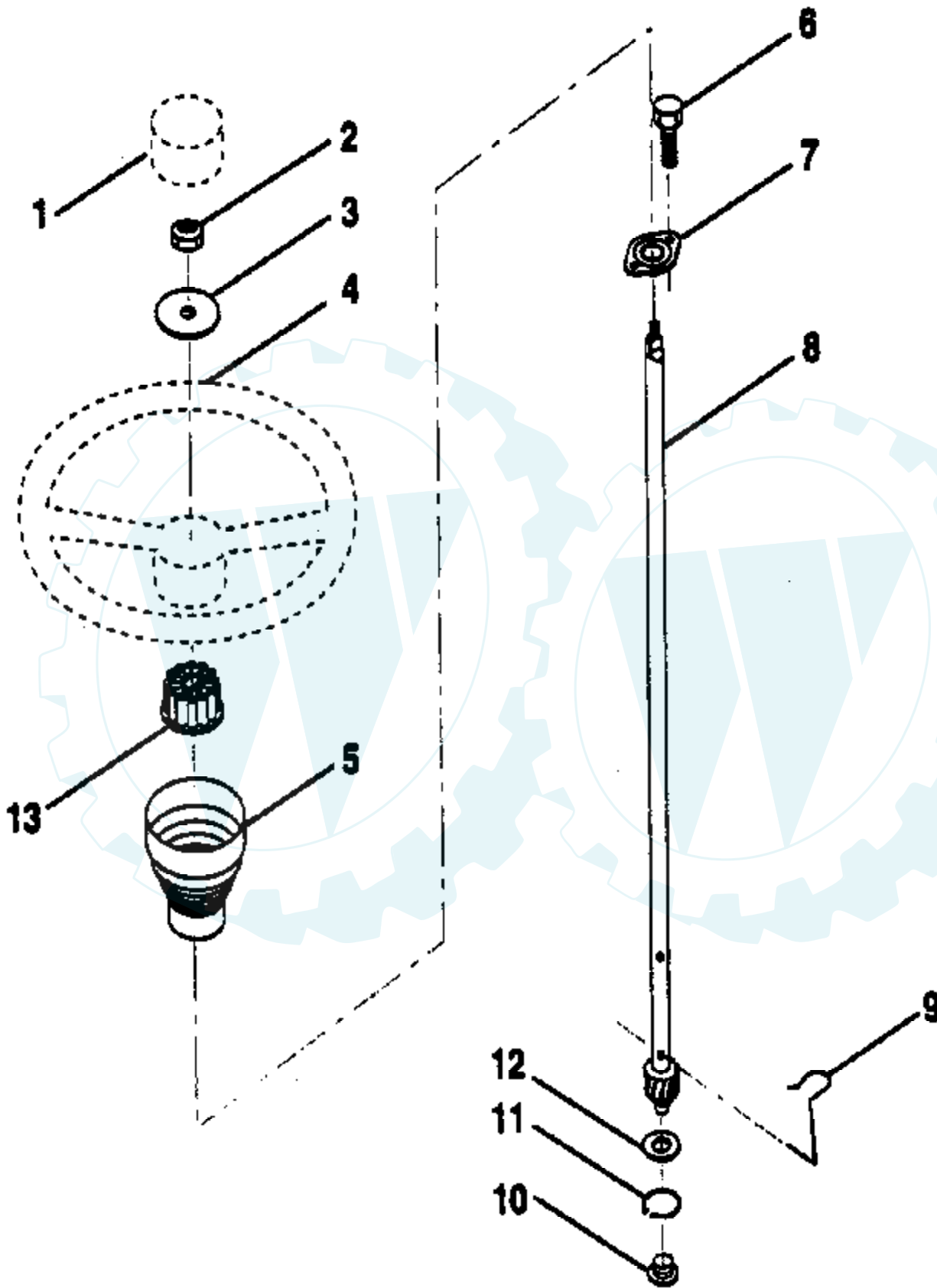
Ref #	Part Number	Qty	Description
1	872050411		Bolt, Carriage 1/4-20 x 1-3/8
2	532127427		Seat
4	873800500		Locknut, Hex w/Ins 5/16-18
5	532139888		Bolt, Shoulder 5/16-18 UNC
6	532140407		Clip, Insulated
8	874760616		Bolt, Fin Hex 3/8-16 UNC x 1
9	532140551		Bracket, Pivot Seat
10	532126471		Clip, Insulated
11	819133210		Washer 12/32 x 2 x 10 Ga.
12	873800600		Nut, Lock Hex w/Wsh 3/8-16
13	874780814		Bolt Hex 1/2-13 x 7/8
14	810040800		Washer Lock Hvy. Hlcl Spring 1/2
15	819171912		Washer, 17/32 x 1-3/16 x 12 Ga.
16	532127018		Bolt, Shoulder
18	532123976		Nut, Hex Large Flange Lock
19	532121248		Bushing, Snap
20	532121250		Spring, Compression
21	532134300		Spacer, Split 28 Id. x .88 Lg.
22	532121246		Bracket, Switch, Mounting
23	532140552		Pan, Seat





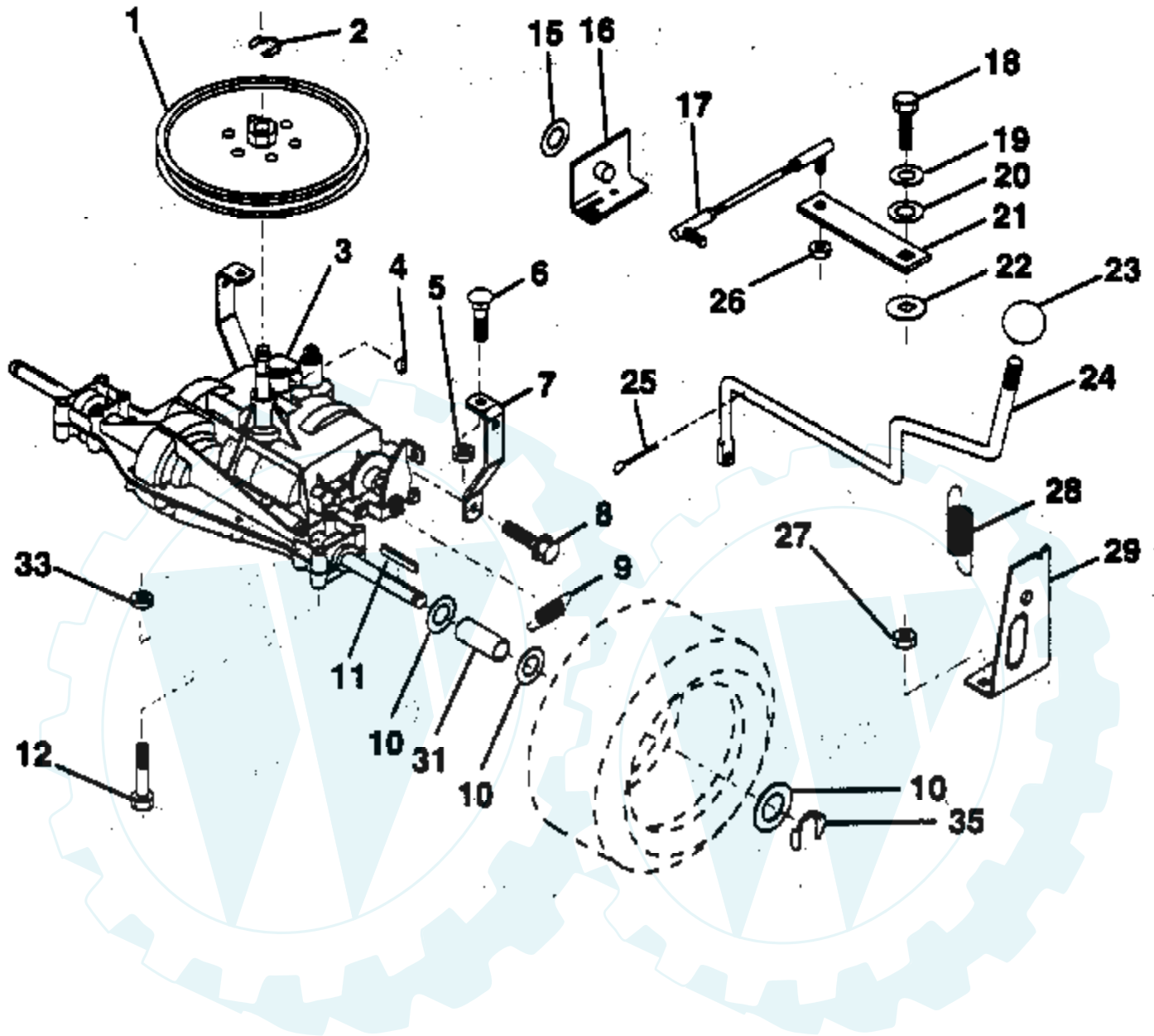
Ref #	Part Number	Qty	Description
1	532132566		Link, Drag
2	874780828		Bolt, Fin Hex 1/2-13 x 1-3/4
5	532121926		Gear, Sector
6	532121927		Bushing
7	873030800		Nut, Heavy Hex Top Lock 1/2-13 UNC
8	532126472		Clip, Insulated
9	873680800		Nut, Crownlock 3/8-16
10	876020412		Pin, Cotter 1/8 x 3/4
11	819131316		Washer, 13/32 x 13/16 x 16 Ga.
12	532126847		Bushing
13	874760512		Bolt, Hex Hd. 5/16-18 UNC x 3/4
14	819111416		Washer 11/32 x 7/8 x 16 Ga.
15	872110606		Bolt, Carriage 3/8-16 UNC x 3/4
17	532137096		Support, Front Axle
20	873800600		Nut, Lock Hex w/Wsh. 3/8-16
21	873800500		Nut, Lock Hex w/Ins. 5/16-18



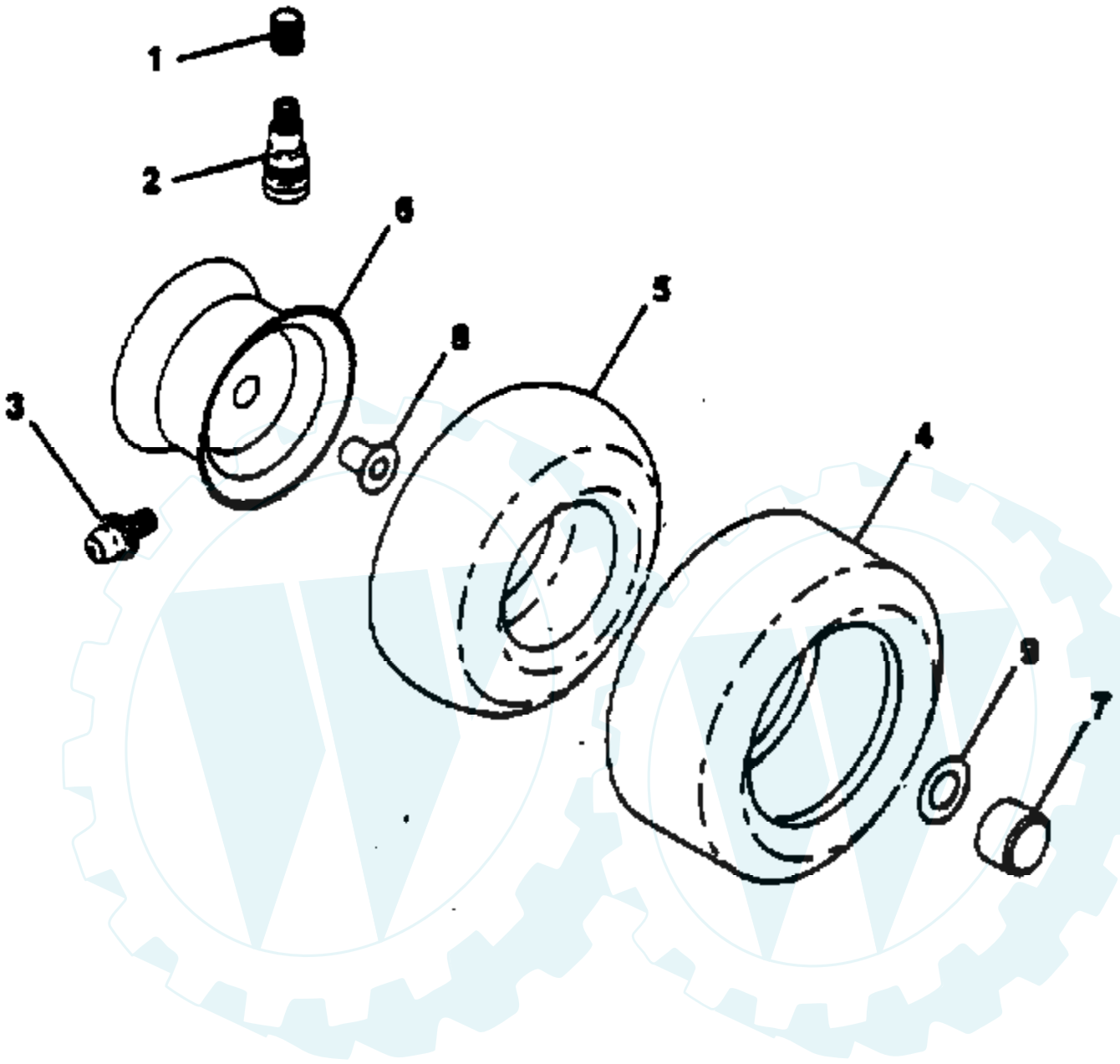


Ref #	Part Number	Qty	Description
1	532133742		Insert, Wheel, Steering
2	532124701		Nut, Lock 3/8-24 UNF
3	819133808		Washer 12/32 x 2-3/8 x 8 Ga.
4	532133741		Wheel, Steering
5	532121897		Sleeve, Steering
6	817431008		Screw, Hex #10-16 x 1/2 TY-B
7	532102803		Bushing, Steering
8	532123651		Shaft, Steering
9	532124210		Clip, Steering
10	532123438		Bushing, Lower, Steering
11	812000045		Ring, Retaining
12	819211616		Washer 21/32 x 1 x 16 Ga.
13	532104820		Adaptor, Wheel, Steering





Ref #	Part Number	Qty	Description
1	532123385		Pulley
2	812000028		Ring, Retainer
3	532142602		Transaxle, Dana 5 Spd. Model No. 4360-78
4	532125096		Key, Woodruff #9
5	873800500		Locknut, Hex W/Ins. 5/16-18
6	872140506		Bolt, Carriage 5/16-18 UNC x 3/4
7	532123378		Strap, Torque
8	817490512		Screw 5/16-18 x 3/4
9	532110422		Spring, Brake
10	532121749		Washer 25/32 x 1-1/4 x 16 Ga.
11	532123583		Key, Square
12	874760644		Bolt, Fin Hex 3/8-16 UNC 2-3/4
15	819171616		Washer 17/32 x 1 x 16 Ga.
16	532124600		Support Handle Shift LH
17	532123632		Link, Shift
18	871040412		Bolt, Fin Hex 1/4-28 UNF x 3/4 Gr. 8
19	810040400		Washer, Lock 1/4
20	819091210		Washer 9/32 x 3/4 x 10 Ga.
21	532123484		Arm, Shift
22	532105701		Washer, Shift Plate
23	532106933		Knob, Rd 1/2-13
24	532128215		Rod Shift
25	876020416		Pin, Cotter 1/8 x 1
26	873810500		Locknut 5/16-24 UNF
27	873510500		Nut, Keps 5/16-18
28	532128085		Extension, Spring
29	532128084		Support Handle Shift RH
31	532109502		Spacer Axle
33	873800600		Locknut Hex W/Wsh 3/8-16
35	812000001		E-Ring



Ref #	Part Number	Qty	Description
1	532059192		Cap, Valve
2	532065139		Stem, Valve
3	532124957		Fitting, Grease (Front Wheels Only)
4	532137422		Tire, Front
4	532132703		Tire, Rear
5	532059904		Tube, Front (Optional Service Items Only)
5	532008134		Tube, Rear (Optional Service Items Only)
6	532142039		Rim, Front
6	532141652		Rim, Rear
7	532104757		Cap Axle
8	532124959		Bearing Flange
9	532121748		Washer 25/32 x 1-5/8 x 16 Ga.

