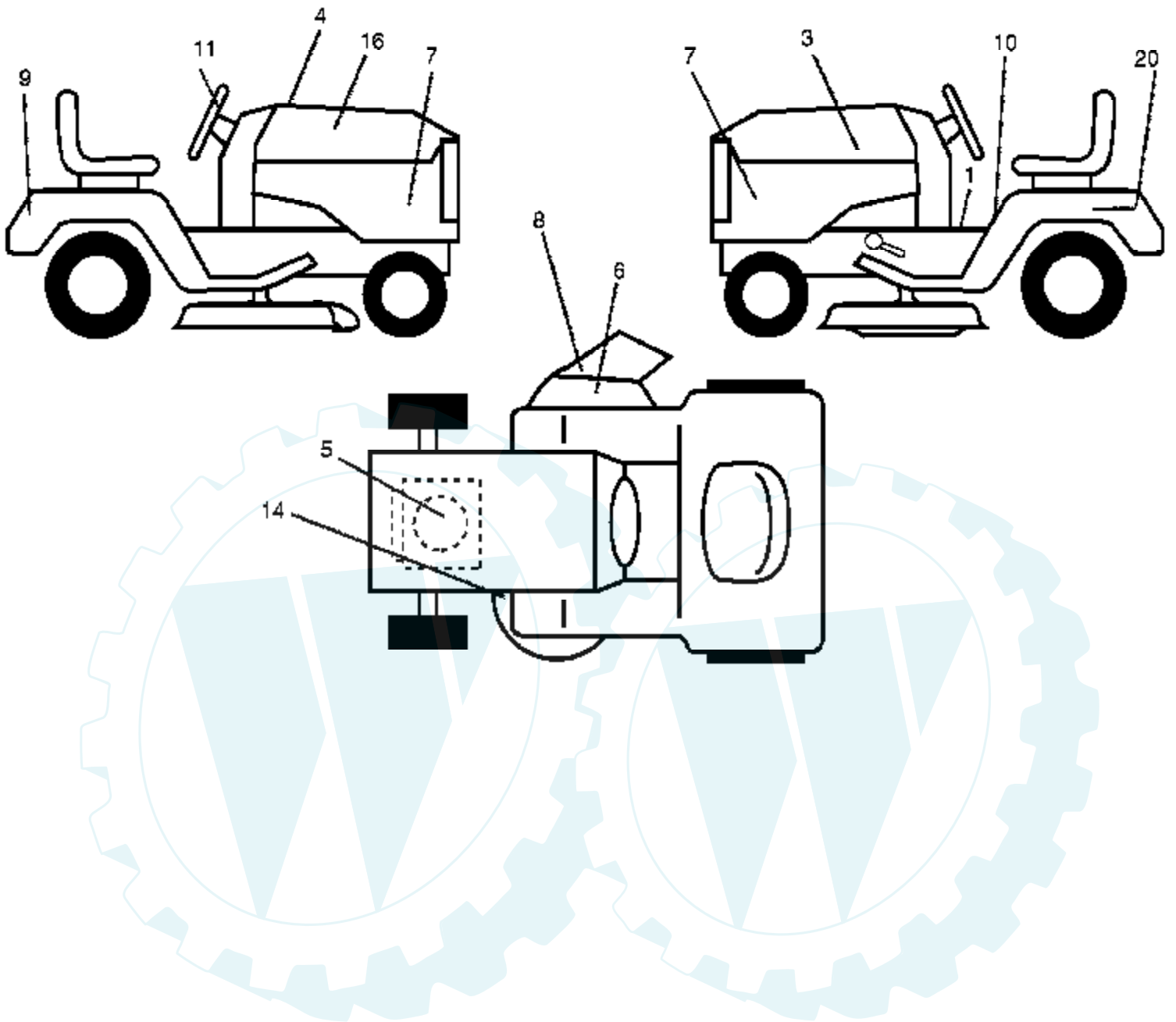
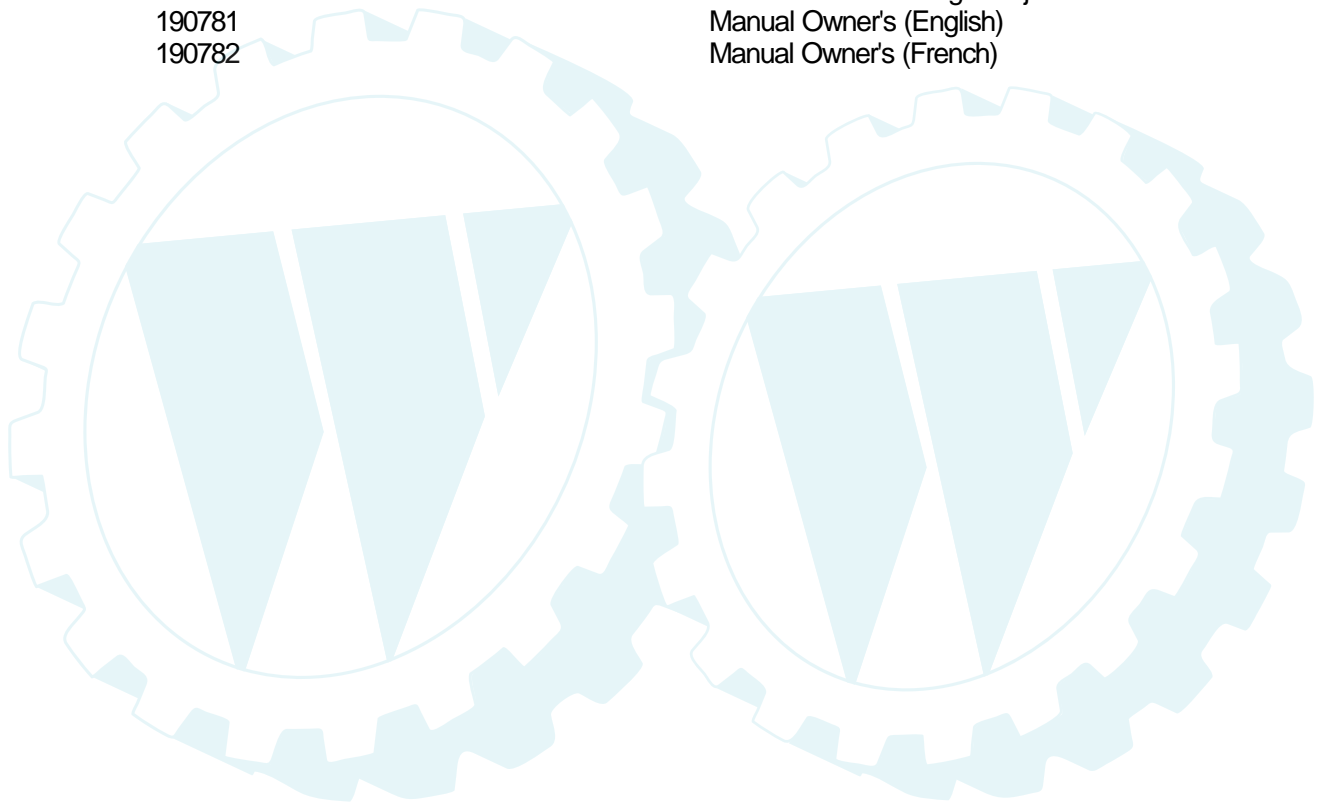
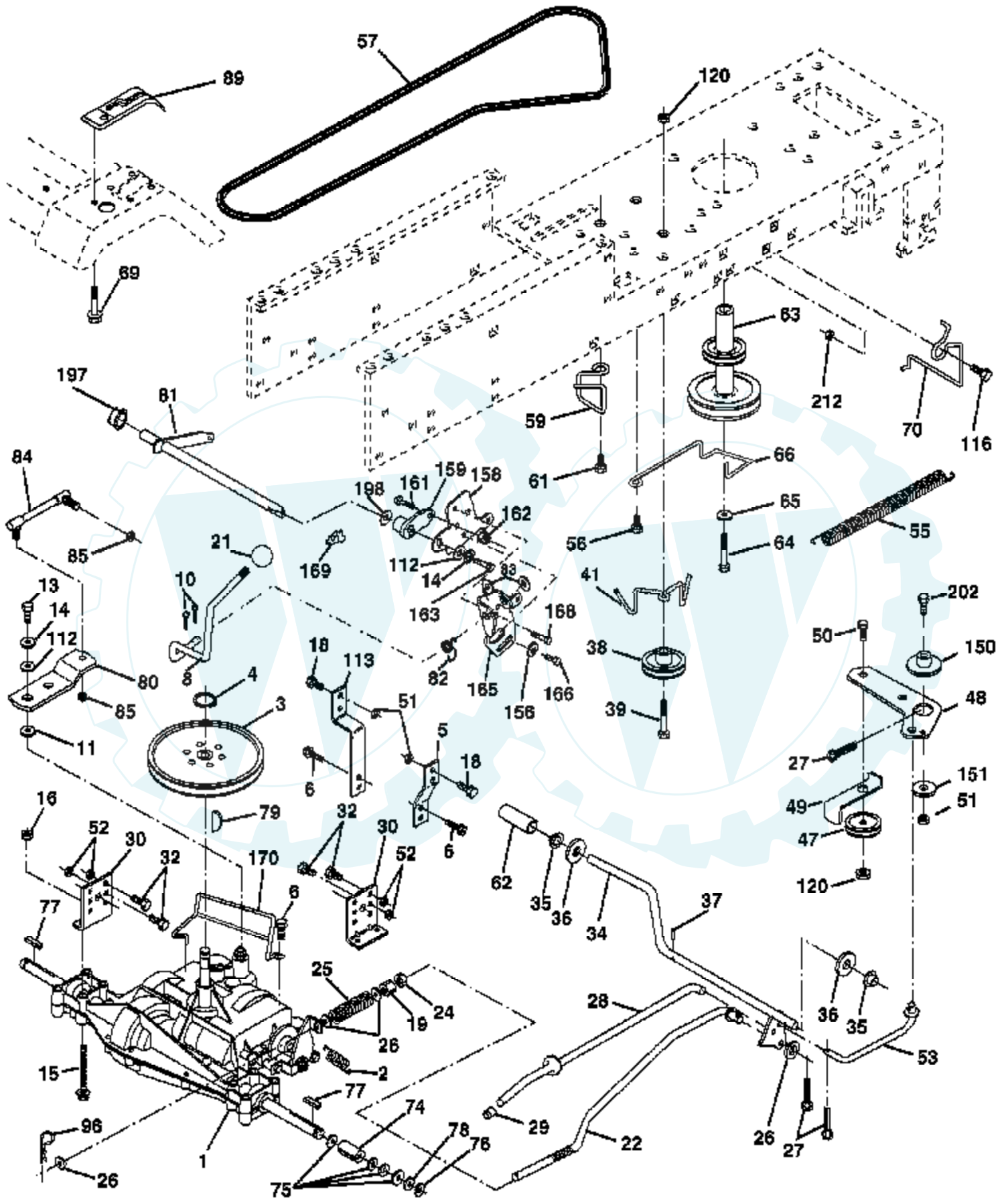


| Ref # | Part Number | Qty | Description |
|-------|-------------|-----|----------------------------------|
| 1 | 174619 | | Chassis |
| 2 | 176554 | | Drawbar |
| 5 | 155272 | | Bumper Hood/Dash |
| 9 | 168337X012 | | Dash |
| 10 | 72140608 | | Bolt Carriage 3/8-16 x 1 |
| 11 | 174996 | | Panel Dash Lh |
| 13 | 179174X010 | | Panel Dash Rh |
| 17 | 183394X428 | | Hood |
| 18 | 126938X | | Bumper Hood |
| 24 | 74780616 | | Bolt Fin Hex 3/8-16 x 1 Gr. 5 |
| 25 | 19131312 | | Washer 13/32 x 13/16 x 12 Ga. |
| 26 | 73800600 | | Nut Lock Hex W/Ins 3/8-16 unc |
| 28 | 183826 | | Grille |
| 29 | 183824X599 | | Lens |
| 30 | 169468X428 | | Fender Footrest STLT Pnt |
| 31 | 136619 | | Bracket Support Fender |
| 33 | 179716X428 | | Footrest Pnt Lh |
| 34 | 179717X428 | | Footrest Pnt Rh |
| 35 | 72110606 | | Bolt Rdhd Sht Sqnk 3/8-16 x 3/4 |
| 37 | 17490508 | | Screw Thdrol 6/16-18 x 1/2 TYT |
| 38 | 175710 | | Bracket Asm. Pivot Mower Rear |
| 39 | 174714 | | Bracket Pivot |
| 64 | 154798 | | Dash Lower STLT |
| 142 | 175702 | | Plate Reinforcement STLT |
| 145 | 156524 | | Rod Pivot Chassis/Hood |
| 166 | 171875 | | Screw HWHD Hi-Lo #13-16 x 5/8 |
| 205 | 17490608 | | Screw Thdrol 3/8-16 x 1-1/4 |
| 206 | 170165 | | Bolt Shoulder 5/16-18 |
| 207 | 17670508 | | Screw Thdrol 5/16-18 x 1/2 |
| 208 | 17670608 | | Screw Thdrol 3/8-16 x 1/2 |
| 209 | 17000612 | | Screw Hex Wsh Thdr. 3/8-16 x 3/4 |
| 212 | 183823 | | Insert Lens Reflect |
| | 5479J | | Plug Btn Blk .359 |



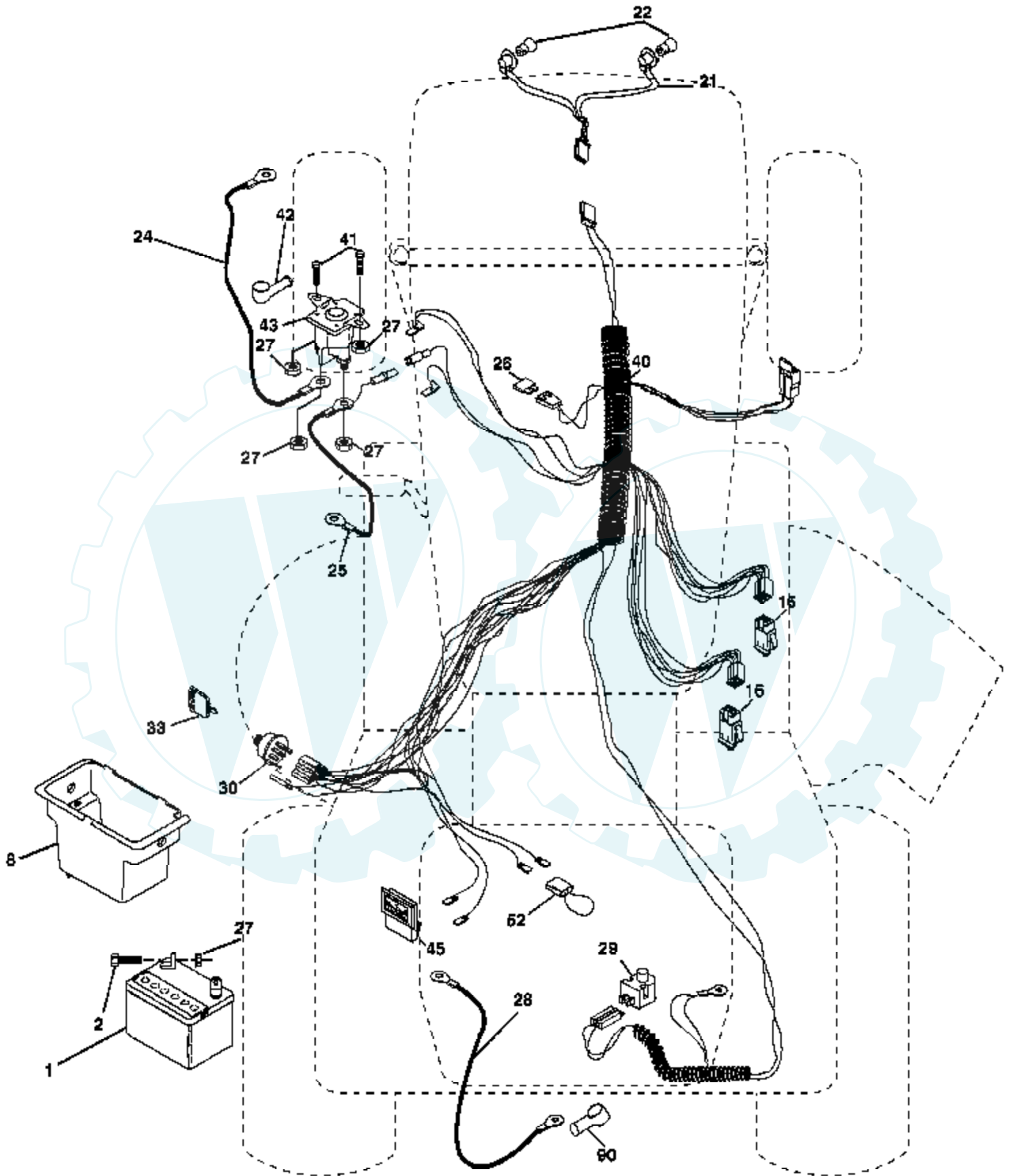
| Ref # | Part Number | Qty | Description |
|-------|-------------|-----|--------------------------------|
| 1 | 156369 | | Decal Oper |
| 3 | 188978 | | Decal Hood LH |
| 4 | 190780 | | Decal Replace |
| 5 | 184774 | | Decal HP Engine |
| 6 | 179128 | | Decal Deck "B" 42" |
| 7 | 188980 | | Decal Side Panel |
| 8 | 170563 | | Decal Warning Mult-Language |
| 9 | 158166 | | Decal Fender Logo |
| 10 | 157140 | | Decal Fender Danger E/F |
| 11 | 158168 | | Decal Ins Strg Whl |
| 14 | 160396 | | Decal V-Belt Schematic |
| 16 | 188977 | | Decal Hood Rh |
| 20 | 145005 | | Decal Bat Dan/Psn |
| | 138311 | | Decal Handle Lft Height Adjust |
| | 190781 | | Manual Owner's (English) |
| | 190782 | | Manual Owner's (French) |



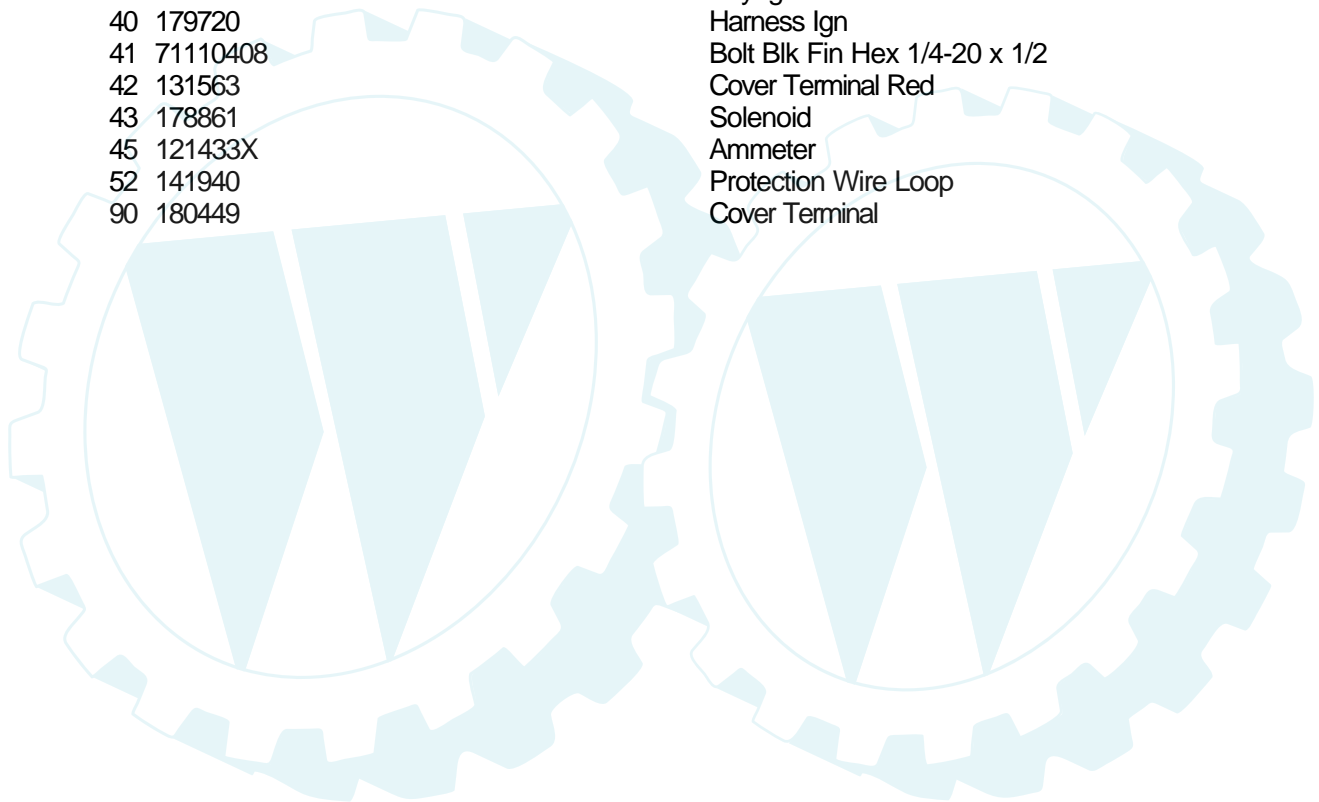


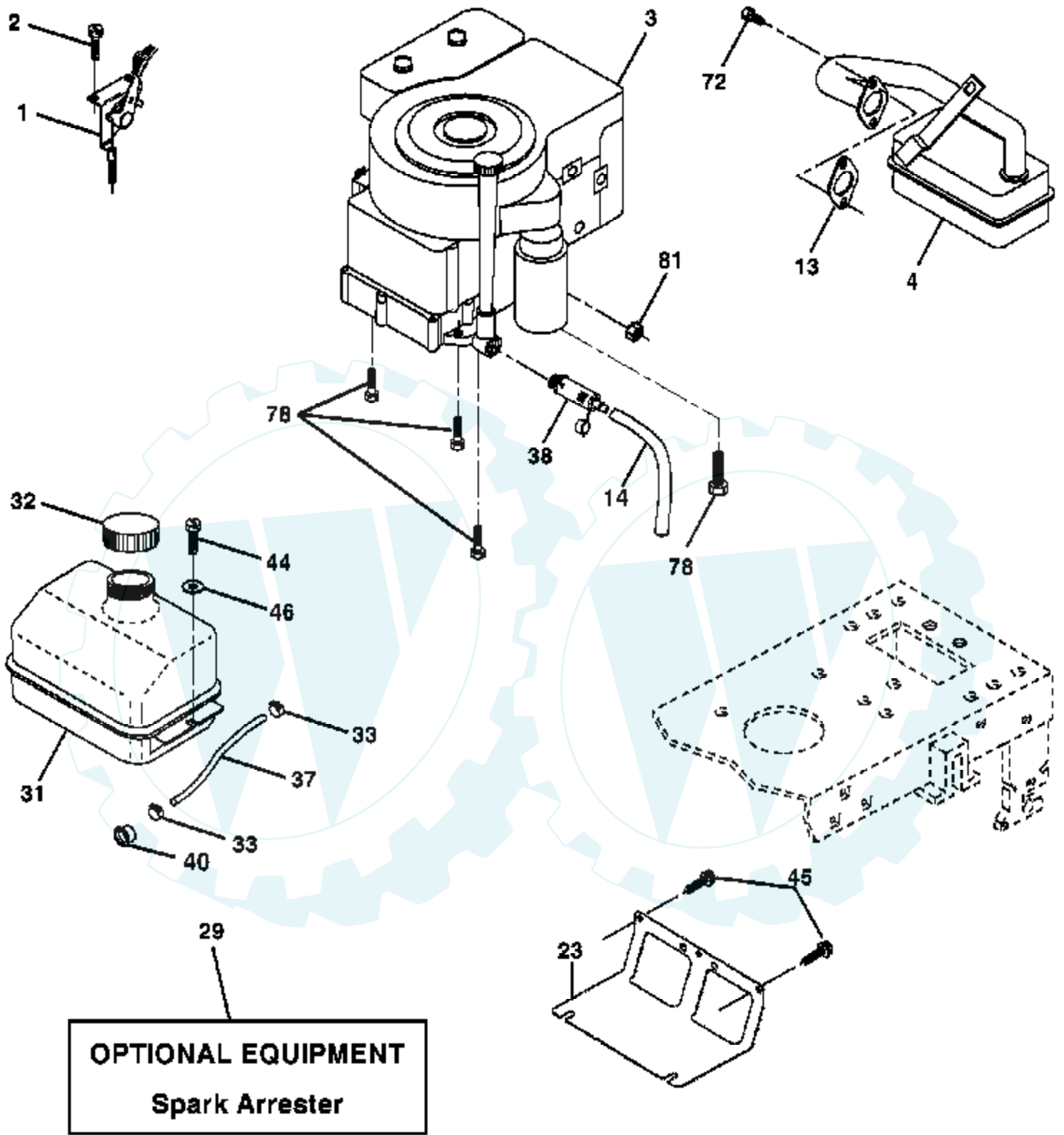
| Ref # | Part Number | Qty | Description |
|-------|-------------|-----|--|
| 1 | | | Transaxle Dana (D4360-140) (Order parts from transaxle manufacturer) |
| 2 | 146682 | | Spring Return Brake T/a Zinc |
| 3 | 123666X | | Pulley Transaxle 18" tires |
| 4 | 12000028 | | Ring Retainer # 5100-62 |
| 5 | 121520X | | Strap Torque 30 Degrees |
| 6 | 17000512 | | Screw 5/16-18 X 3/4 |
| 8 | 165619 | | Rod Shift Fender Adjust Lt |
| 10 | 76020416 | | Pin Cotter 1/8 X 1 Cad |
| 11 | 105701X | | Washer Plate Shf 388 Sq Hole |
| 13 | 74550412 | | Bolt 1/4-28 Unf Gr. 8 W/Patch |
| 14 | 10040400 | | Washer Lock Hvy Helical |
| 15 | 74490544 | | Bolt Hex FLGHD 5/16-18 Gr. 5 |
| 16 | 73800500 | | Nut Lock Hex w/ins 5/16-18 |
| 18 | 74780616 | | Bolt, Fin Hex 3/8-16 unc x 1 Gr. 5 |
| 19 | 73800600 | | Nut Lock 3/8-16 Unc |
| 21 | 106933X | | Knob |
| 22 | 130804 | | Rod Brake Blk Zinc 26 840 |
| 24 | 73350600 | | Nut Hex Jam 3/8-16 unc |
| 25 | 106888X | | Spring Rod Brake 2 00 Zinc |
| 26 | 19131316 | | Washer 13/32 x 13/16 x 16 Ga. |
| 27 | 76020412 | | Pin Cotter 1/8 x 3/4 Cad |
| 28 | 175765 | | Rod Brake Parking LT/YT |
| 29 | 71673 | | Cap Brake Parking |
| 30 | 174973 | | Bracket Mtg Transaxle |
| 32 | 74760512 | | Bolt Hex Hd 5/16-18 unc x 3/4 |
| 34 | 175578 | | Shaft Asm Pedal Foot |
| 35 | 120183X | | Bearing Nylon Blk 629 Id |
| 36 | 19211616 | | Washer 21/32 x 1 x 16 Ga. |
| 37 | 1572H | | Pin Roll 3/16 X 1" |
| 38 | 179114 | | Pulley Composite Flat |
| 39 | 72110622 | | Bolt RDHD 3/8-16 unc x 2-3/4 Gr. 5 |
| 41 | 175556 | | Keeper Belt Flat Idler |
| 47 | 127783 | | Pulley Idler V Groove Plastic |
| 48 | 154407 | | Bellcrank Asm |
| 49 | 123205X | | Retainer Belt Style Spring |
| 50 | 72110612 | | Bolt Carr. Sh. 3/8-16 x 1-1/2 Gr. 5 |
| 51 | 73680600 | | Nut Crownlock 3/8-16 unc |
| 52 | 73680500 | | Nut Crownlock 5/16-18 unc |
| 53 | 105710X | | Link Clutch |
| 55 | 105709X | | Spring Return Clutch 6 75 |
| 56 | 17060620 | | Screw 3/8-16 x 1-1/4 |
| 57 | 160855 | | V-Belt Ground Drive 95 30 |
| 59 | 169691 | | Keeper Belt Span Ctr |
| 61 | 17120614 | | Screw 3/8-16 x .875 |
| 62 | 8883R | | Cover Pedal Blk Round |
| 63 | 175410 | | Engine Pulley |
| 64 | 173937 | | Bolt Hex |
| 65 | 10040700 | | Washer Lock Hvy Hlcl Spr 7/16 |
| 66 | 154778 | | Keeper Belt Engine Foolproof |
| 69 | 142432 | | Screw Hex wsh Hi Lo 1/4 x 1/2 unc |
| 70 | 134683 | | Guide Belt Mower Drive RH |
| 74 | 109502X | | Spacer Axle |
| 75 | 121749X | | Washer 25/32 x 1 1/4 x 16 Ga. |
| 76 | 12000001 | | E-ring #5133-75 |
| 77 | 123583X | | Key Square 2 0 x 1845/ 1865 |
| 78 | 121748X | | Washer 25/32 x 1 1/4 x 16 Ga. |

| Ref # | Part Number | Qty | Description |
|-------|-------------|-----|-------------------------------------|
| 79 | 2228M | | Key Woodruff #9 3/16 x 3/4 |
| 80 | 131488 | | Arm Shift |
| 81 | 165594 | | Shaft Asm Cross Tapered PMST/20 |
| 82 | 123782X | | Spring Torsion T/a |
| 83 | 19171216 | | Washer 17/32 x 3/4 x 16 Ga. |
| 84 | 166229 | | Link Transaxle Dana /18" Zinc |
| 85 | 150360 | | Nut Lock Center 1/4 - 28 FNTHD |
| 89 | 169372X428 | | Console Shift STLT |
| 96 | 4497H | | Retainer Spring 1" |
| 112 | 19091210 | | Washer 9/32 x 3/4 x 10 Ga. |
| 113 | 127285X | | Strap Torque LT |
| 116 | 72140608 | | Bolt Rdhd Sq Neck 3/8-16 x 1 |
| 120 | 73900600 | | Nut Lock Flg. 3/8-16 unc |
| 150 | 175456 | | Spacer Retainer |
| 151 | 19133210 | | Washer 13/32 x 2 x 10 |
| 156 | 166002 | | Washer Srrted 5/16ID x 1.125 |
| 158 | 165589 | | Bracket Shift Mount |
| 159 | 183900 | | Hub Tapered Flange Shift Lt |
| 161 | 72140406 | | Bolt Rdhd Sqnk 1/4-20 x 3/4 |
| 162 | 73680400 | | Nut Crownlock 1/4-20 unc |
| 163 | 74780416 | | Bolt Hex Fin 1/4-20 unc x 1 Gr. 5 |
| 165 | 165623 | | Bracket Pivot Lever |
| 166 | 17490510 | | Screw 5/16-18 x 5/8 |
| 168 | 165492 | | Bolt Shoulder 5/16-18 x .561 |
| 169 | 165580 | | Plate Fastening |
| 170 | 187414 | | Keeper Belt Transaxle Gear |
| 197 | 169613 | | Nyliner Snap-In |
| 198 | 169593 | | Washer Nyliner |
| 202 | 72110614 | | Bolt Rd Hd 3/8-16 unc x 1-3/4 Gr. 5 |
| 212 | 145212 | | Nut Hexflange Lock |

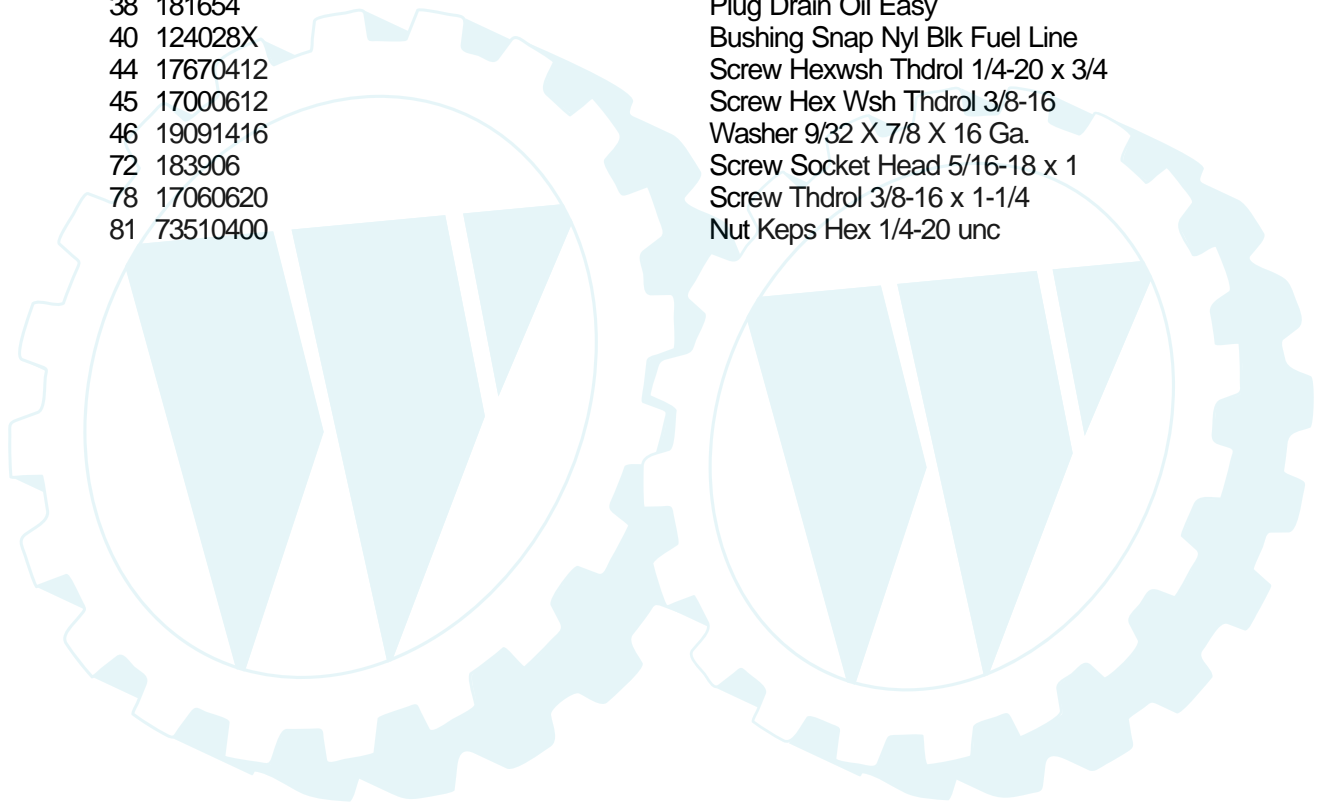


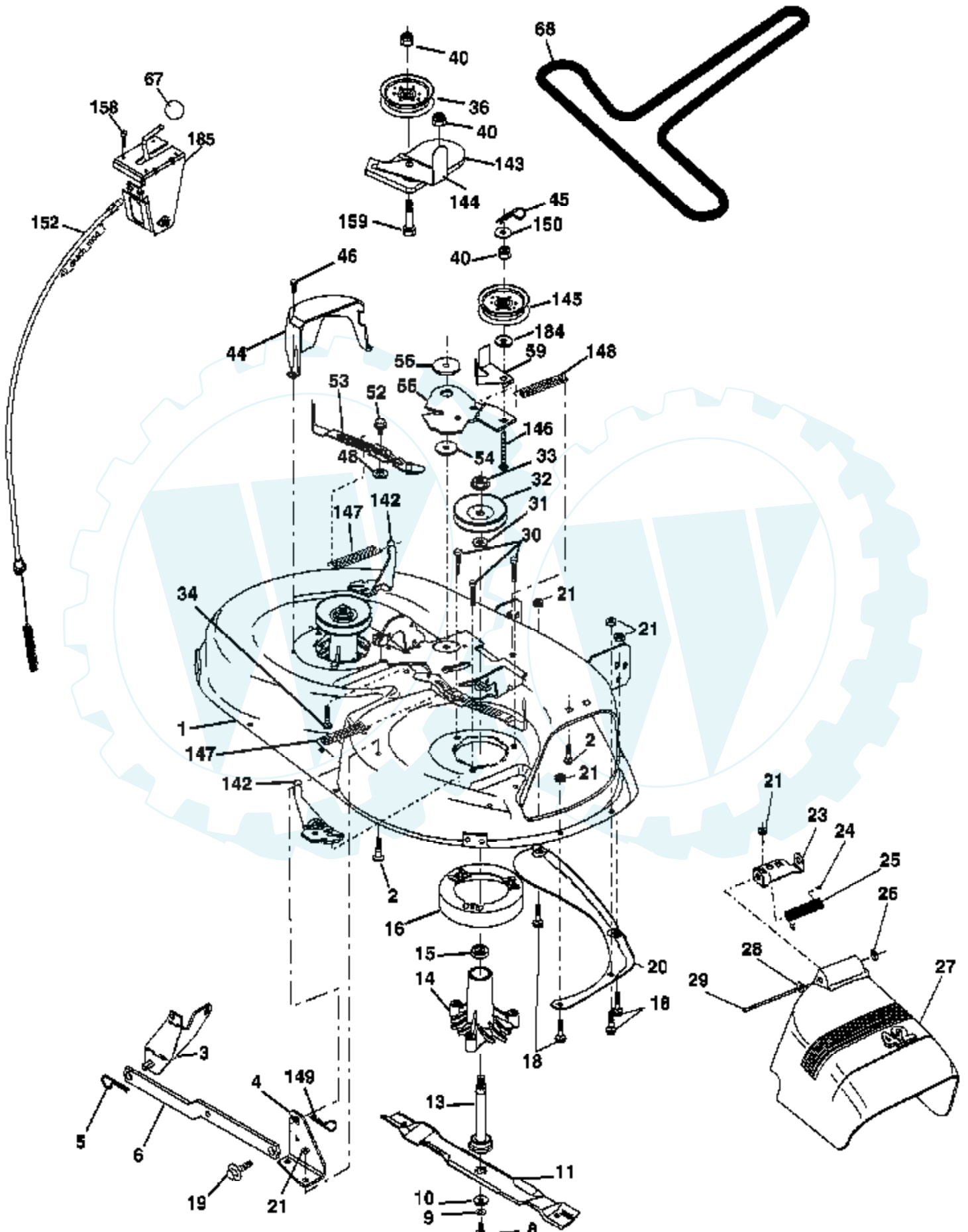
| Ref # | Part Number | Qty | Description |
|-------|-------------|-----|-----------------------------------|
| 1 | 163465 | | Battery 12 Volt 25 Amp |
| 2 | 74760412 | | Bolt Hex Hd 1/4-20 unc x 3/4 |
| 8 | 176689 | | Box Battery |
| 16 | 176138 | | Switch Interlock Push -In |
| 21 | 183759 | | Harness Asm Light W/4152J |
| 22 | 4152J | | Bulb Light #1156 |
| 24 | 4799J | | Cable Battery 6 Ga. 11"red |
| 25 | 146147 | | Cable Battery 6 Ga. w/16 wire,red |
| 26 | 175158 | | Fuse 20 AMP |
| 27 | 73510400 | | Nut Keps Hex 1/4-20 unc |
| 28 | 4207J | | Cable Ground 6 Ga. 12" black |
| 29 | 121305X | | Switch Plunger Nc Gray |
| 30 | 175566 | | Switch Ign |
| 33 | 140401 | | Key Ign |
| 40 | 179720 | | Harness Ign |
| 41 | 71110408 | | Bolt Blk Fin Hex 1/4-20 x 1/2 |
| 42 | 131563 | | Cover Terminal Red |
| 43 | 178861 | | Solenoid |
| 45 | 121433X | | Ammeter |
| 52 | 141940 | | Protection Wire Loop |
| 90 | 180449 | | Cover Terminal |





| Ref # | Part Number | Qty | Description |
|-------|-------------|-----|---|
| 1 | 170551 | | Control Throttle /Choke Flag |
| 2 | 17720408 | | Screw Hex Thd Cut 1/4-20 x 1/2 |
| 3 | | | Engine Briggs Model 31C707 (Order Parts From Engine Manufacturer) |
| 4 | 137352 | | Muffler Exhaust B&S Lt |
| 13 | 165291 | | Gasket 1 313 Id Tin Plated |
| 14 | 148456 | | Tube Drain Oil Easy |
| 23 | 169837 | | Shield Browning/Debris Guard |
| 29 | 137180 | | Arrestor Spark |
| 31 | 184900 | | Tank Fuel 1 25 Fr |
| 32 | 140527 | | Cap Asm Fuel W/sym Vented |
| 33 | 123487X | | Clamp Hose Blk |
| 37 | 137040 | | Line Fuel 20" |
| 38 | 181654 | | Plug Drain Oil Easy |
| 40 | 124028X | | Bushing Snap Nyl Blk Fuel Line |
| 44 | 17670412 | | Screw Hexwsh Thdrol 1/4-20 x 3/4 |
| 45 | 17000612 | | Screw Hex Wsh Thdrol 3/8-16 |
| 46 | 19091416 | | Washer 9/32 X 7/8 X 16 Ga. |
| 72 | 183906 | | Screw Socket Head 5/16-18 x 1 |
| 78 | 17060620 | | Screw Thdrol 3/8-16 x 1-1/4 |
| 81 | 73510400 | | Nut Keps Hex 1/4-20 unc |

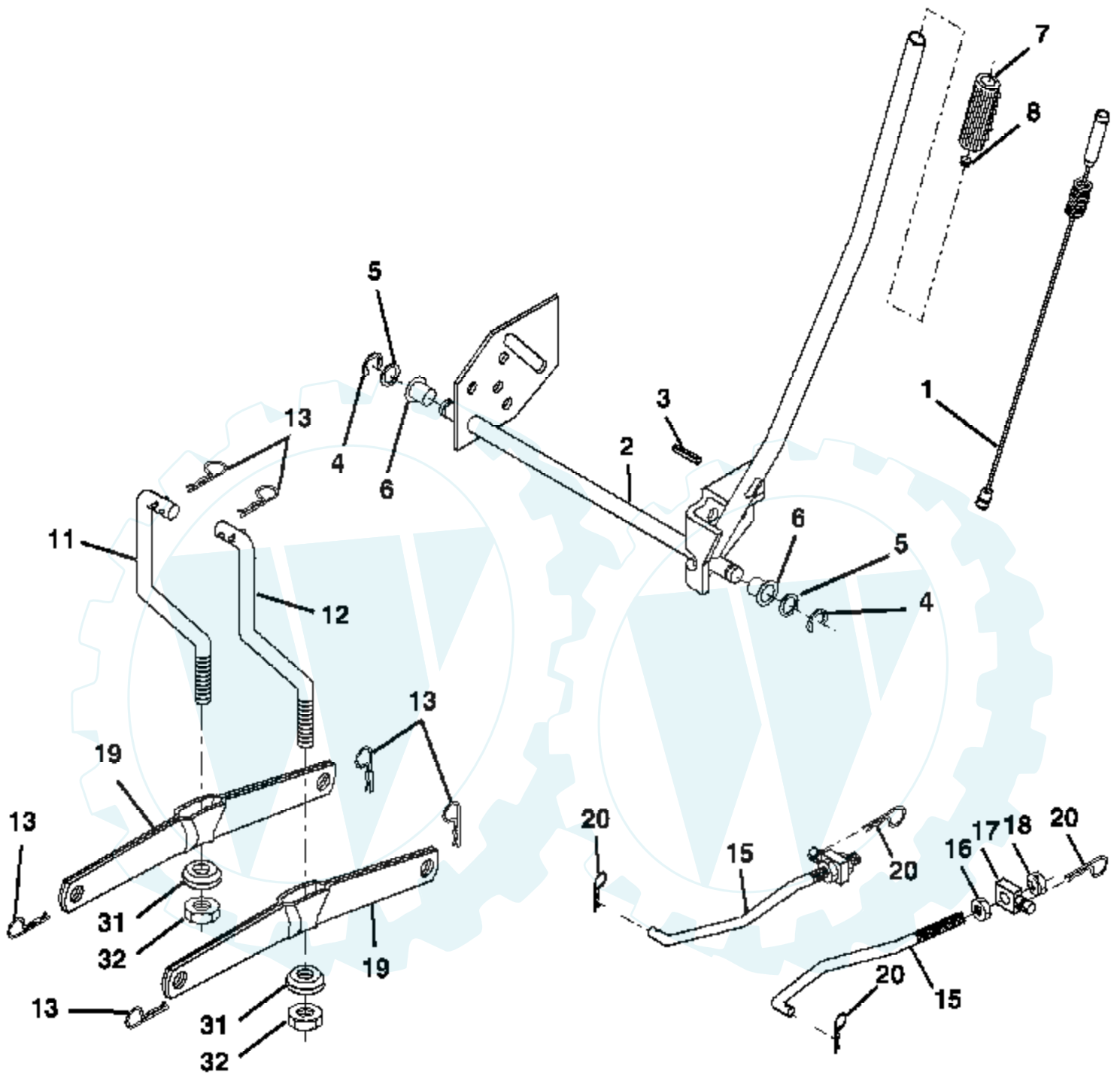




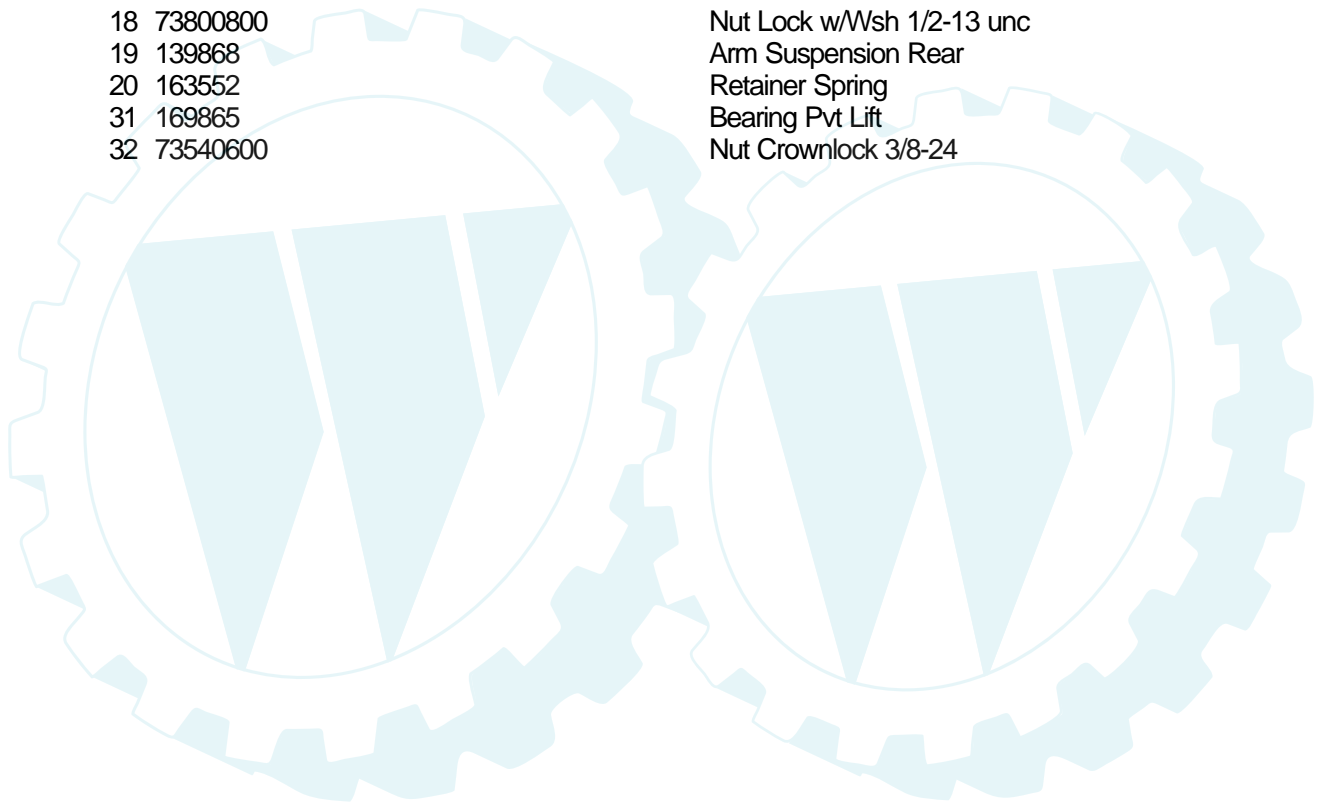
| Ref # | Part Number | Qty | Description |
|-------|-------------|-----|---|
| 1 | 165892 | | Mower Deck Assembly, 42" |
| 2 | 72140506 | | Bolt |
| 3 | 138017 | | Bracket Asm Fr. Sway Bar 3/42 |
| 4 | 165460 | | Bracket Asm Deck 42" Sway Bar |
| 5 | 4939M | | Retainer Spring |
| 6 | 178024 | | Bar Sway Deck |
| 8 | 850857 | | Bolt 3/8-24 x 25 Gr. 8 patched |
| 9 | 10030600 | | Washer, Lock |
| 10 | 140296 | | Washer, Hardened |
| 11 | 134149 | | Blade, 42" Mulching Std (For mulching mowers only) |
| | 139775 | | Blade, 42" Mulching Premium (For better wear when mulching) |
| | 138971 | | Blade, 42" Hi-Lift (For bagging or discharging) |
| 13 | 137645 | | Shaft Assembly, Mandrel, Vented |
| 14 | 128774 | | Housing, Mandrel, Vented |
| 15 | 110485X | | Bearing, Ball, Mandrel |
| 16 | 174493 | | Stripper, Mandrel Deck |
| 18 | 72140505 | | Bolt, Carriage 5/16-18 x 5/8 |
| 19 | 132827 | | Bolt, Shoulder |
| 20 | 159770 | | Baffle, Vortex |
| 21 | 73680500 | | Nut |
| 23 | 177563 | | Bracket, Deflector Mower 42" |
| 24 | 105304X | | Cap, Sleeve 80 x 112 Blk Mower |
| 25 | 123713X | | Spring, Torsion, Deflector 2 52 |
| 26 | 110452X | | Nut, Push Phos & Oil |
| 27 | 130968X428 | | Shield, Deflector 42" Blk |
| 28 | 19111016 | | Washer 11/32 x 5/8 x 16 Ga. |
| 29 | 131491 | | Rod, Hinge 42" 6 75 W/G |
| 30 | 173984 | | Screw Thdrol Washer Head |
| 31 | 187690 | | Washer, Spacer Mower Vented |
| 32 | 153535 | | Pulley, Mandrel |
| 33 | 178342 | | Nut, Toplock 9/16 Flange |
| 34 | 72110612 | | Bolt |
| 36 | 131494 | | Pulley, Idler, Flat |
| 37 | 19131316 | | Washer 13/32 x 13/16 x 16 Ga. |
| 40 | 73900600 | | Nut |
| 44 | 140088 | | Guard, Mandrel, LH |
| 45 | 4497H | | Retainer |
| 46 | 137729 | | Screw, Thdrol 1/4-20 x 5/8 T |
| 48 | 133944 | | Washer, Hardened |
| 52 | 139888 | | Bolt, Shoulder 5/16-18 unc |
| 53 | 184907 | | Arm Assembly, Pad, Brake |
| 54 | 178515 | | Washer, Hardened |
| 55 | 155046 | | Arm, Idler |
| 56 | 165723 | | Spacer, Retainer |
| 59 | 141043 | | Guard TUV Idler |
| 67 | 106932X | | Knob |
| 68 | 144959 | | V-Belt, 42" Mower |
| 142 | 165890 | | Arm Spring Brake Mower |
| 143 | 157109 | | Bracket Arm Idler 42" |
| 144 | 158634 | | Keeper Belt 42" Clutch Cable |
| 145 | 165888 | | Pulley Idler Flat |
| 146 | 171977 | | Bolt Carriage Idler |
| 147 | 131335 | | Spring Extension |
| 148 | 169022 | | Spring Return Idler |
| 149 | 165898 | | Retainer Spring Yellow |
| 150 | 19091210 | | Washer 9/32 x 3/4 x 10 Ga. |

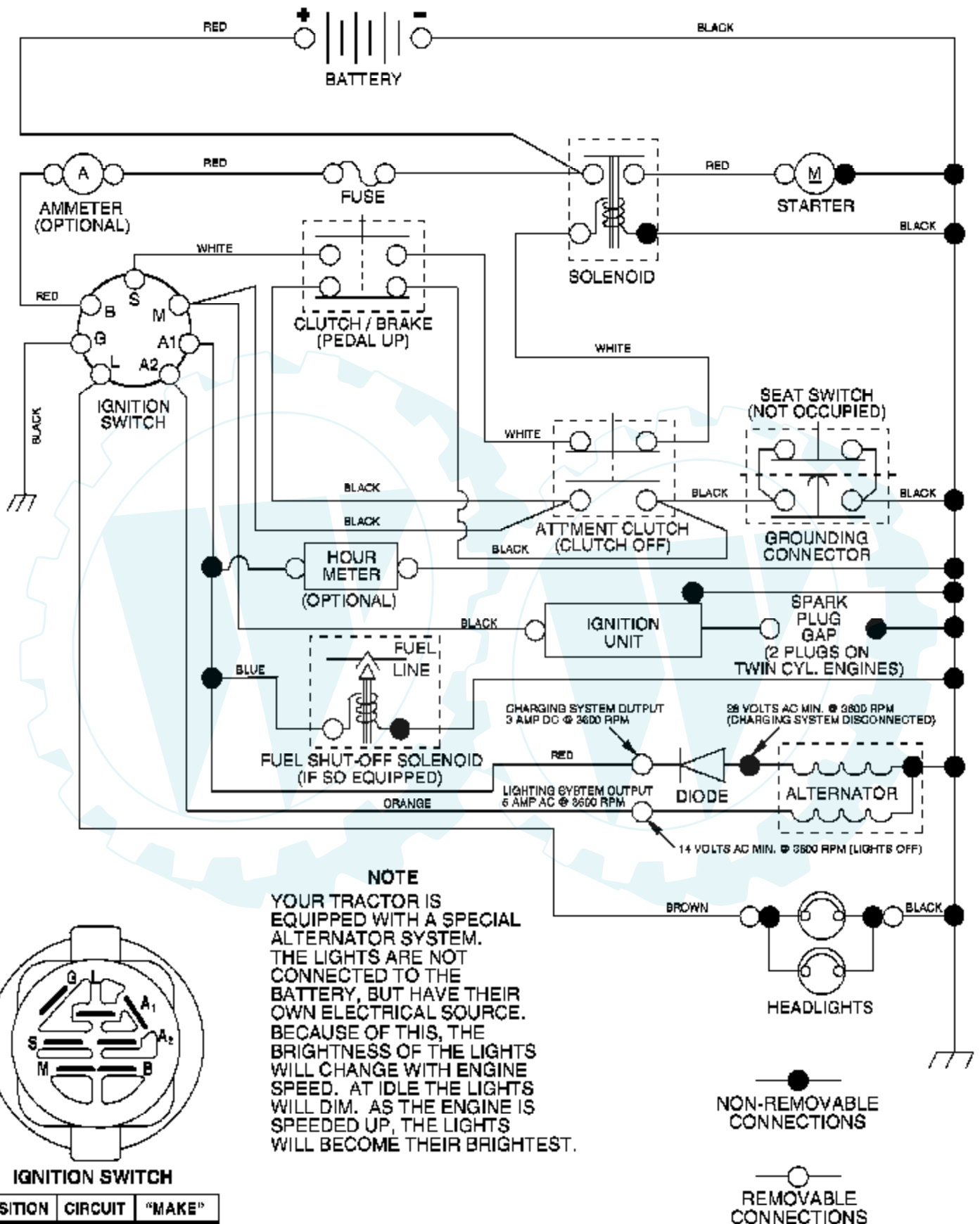
| Ref # | Part Number | Qty | Description |
|-------|-------------|-----|--|
| 152 | 169676 | | Clutch Cable 42" |
| 158 | 17720408 | | Screw Hex Thd Cut 1/4-20 x 1/2 |
| 159 | 72140614 | | Bolt Rdhd Sqn 3/8-16 unc x 1-3/4 |
| 184 | 19131410 | | Washer 13/32 x 7/8 x 10 Ga. |
| 185 | 188234 | | Head Asm Cable Clutch |
| | 130794 | | Mandrel Assembly (Includes Housing, Shaft and Shaft Hardware Only-Pulley Not Included) |
| | 171639 | | Replacement Mower, Complete |



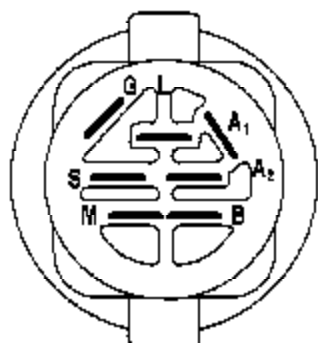


| Ref # | Part Number | Qty | Description |
|-------|-------------|-----|-------------------------------|
| 1 | 159461 | | Wire Asm Inner/Sprg w/Plunger |
| 2 | 159476 | | Shaft Asm Lift |
| 3 | 188822 | | Pin Groove |
| 4 | 12000002 | | E Ring #5133-62 |
| 5 | 19211621 | | Washer 21/32 x 1 x 21 Ga. |
| 6 | 120183X | | Bearing Nylon |
| 7 | 109413X | | Grip Handle |
| 8 | 124526X | | Button Plunger |
| 11 | 139865 | | Link Lift Lh |
| 12 | 139866 | | Link Lift Rh |
| 13 | 4939M | | Retainer Spring |
| 15 | 173288 | | Link Front |
| 16 | 73350800 | | Nut Jam Hex 1/2-13 unc |
| 17 | 175689 | | Trunnion Blk Zinc |
| 18 | 73800800 | | Nut Lock w/Wsh 1/2-13 unc |
| 19 | 139868 | | Arm Suspension Rear |
| 20 | 163552 | | Retainer Spring |
| 31 | 169865 | | Bearing Pvt Lift |
| 32 | 73540600 | | Nut Crownlock 3/8-24 |





NOTE
YOUR TRACTOR IS EQUIPPED WITH A SPECIAL ALTERNATOR SYSTEM. THE LIGHTS ARE NOT CONNECTED TO THE BATTERY, BUT HAVE THEIR OWN ELECTRICAL SOURCE. BECAUSE OF THIS, THE BRIGHTNESS OF THE LIGHTS WILL CHANGE WITH ENGINE SPEED. AT IDLE THE LIGHTS WILL DIM. AS THE ENGINE IS SPEEDED UP, THE LIGHTS WILL BECOME THEIR BRIGHTEST.

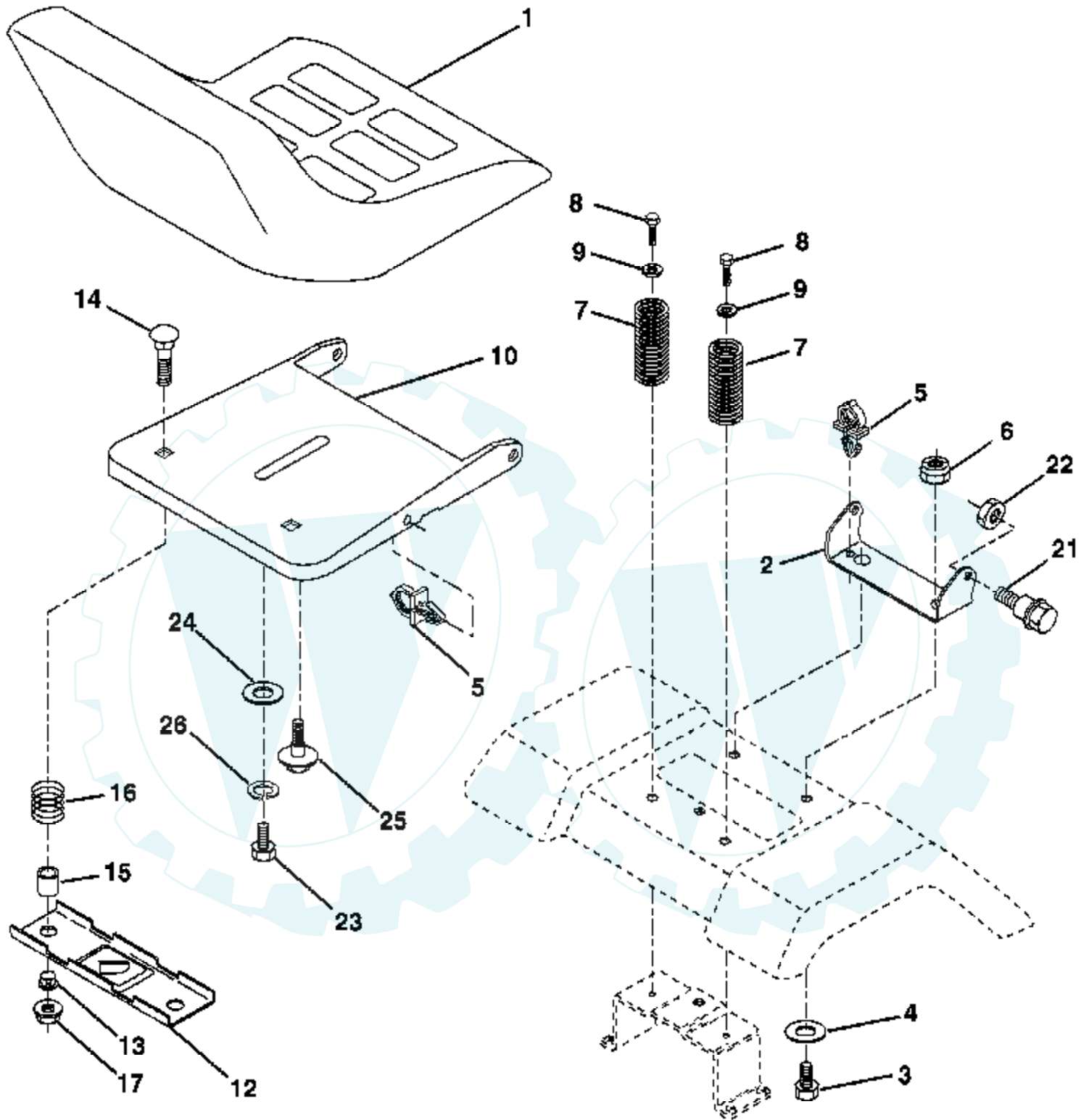


IGNITION SWITCH

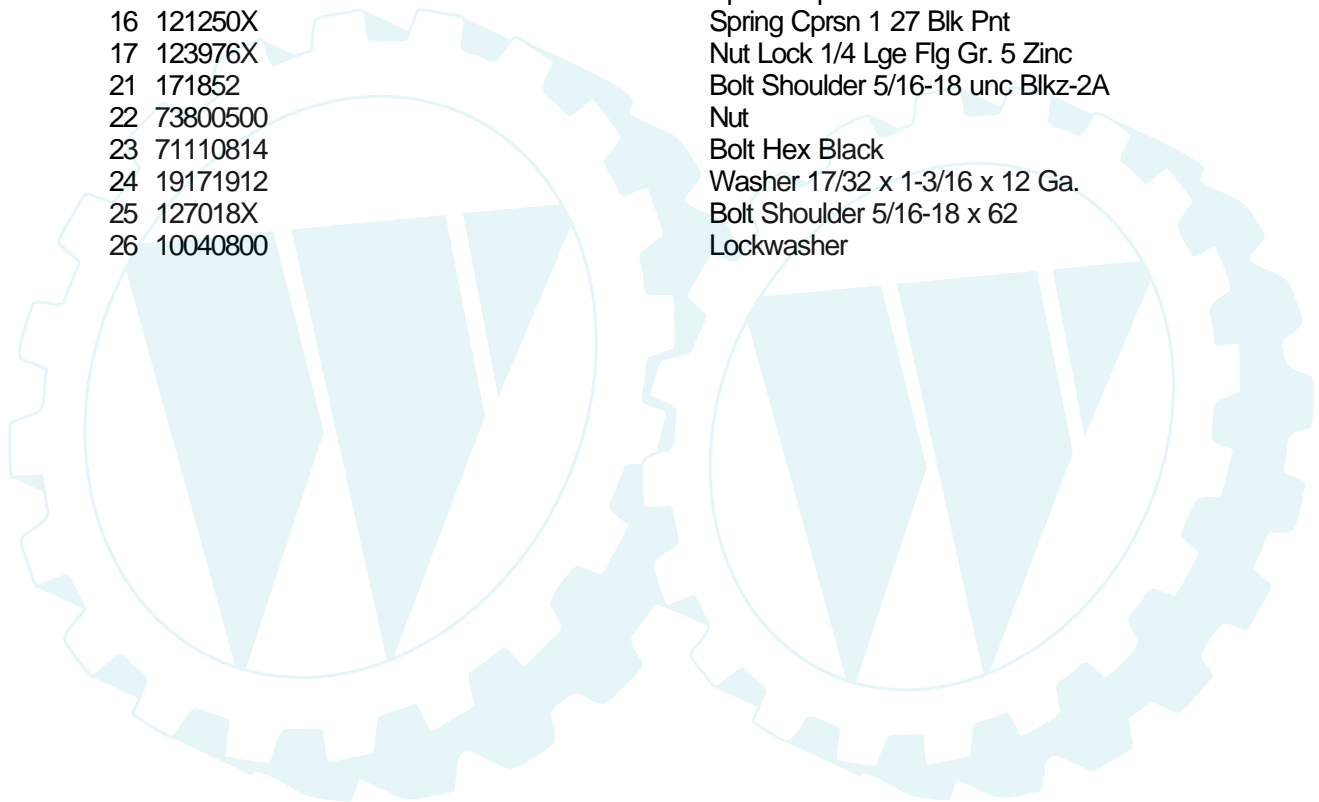
| POSITION | CIRCUIT | "MAKE" |
|-----------|------------|--------|
| OFF | M+G+A1 | NONE |
| RUN/LIGHT | B+A1 | A2+L |
| RUN | B+A1 | NONE |
| START | B + S + A1 | NONE |

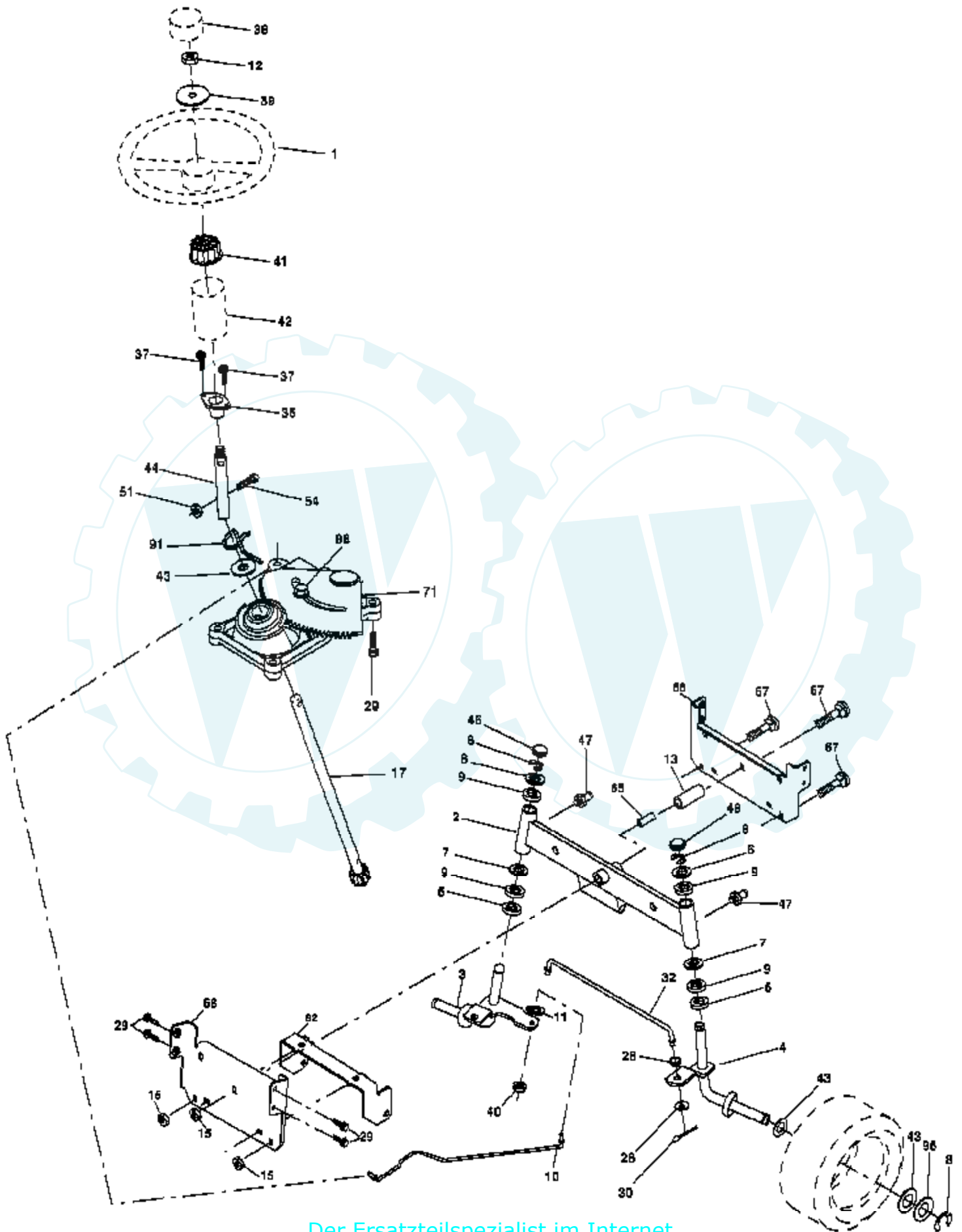
WIRING INSULATED CLIPS

NOTE: IF WIRING INSULATED CLIPS WERE REMOVED FOR SERVICING OF UNIT, THEY SHOULD BE REPLACED TO PROPERLY SECURE YOUR WIRING.

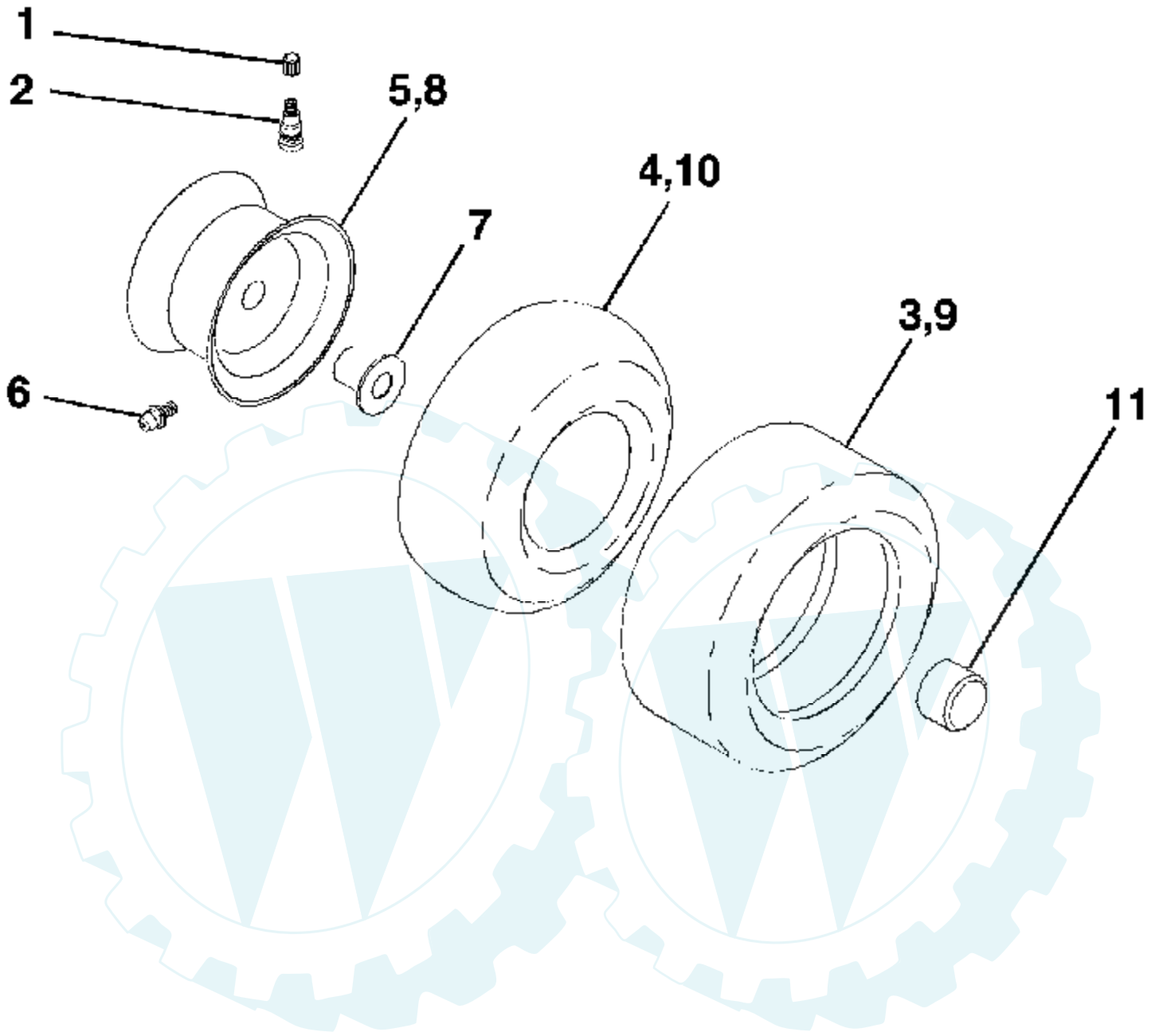


| Ref # | Part Number | Qty | Description |
|-------|-------------|-----|-----------------------------------|
| 1 | 175389 | | Seat |
| 2 | 140551 | | Bracket Pnt Pivot Seat (blk) |
| 3 | 71110616 | | Bolt |
| 4 | 19131610 | | Washer 13/32 x 1 x 10 Ga. |
| 5 | 145006 | | Clip Push-In Hinged |
| 6 | 73800600 | | Nut |
| 7 | 124181X | | Spring Seat Cprsn 2 250 Blk Zi |
| 8 | 17000616 | | Screw 3/8-16 x 1.5 |
| 9 | 19131614 | | Washer 13/32 x 1 x 14 Ga. |
| 10 | 182493 | | Pan Pnt Seat (blk) |
| 12 | 121246X | | Bracket Pnt Mounting Switch |
| 13 | 121248X | | Bushing Snap Blk Nyl 50 Id |
| 14 | 72050412 | | Bolt Rdhd Sht Nk 1/4-20 x 1-1/2 |
| 15 | 134300 | | Spacer Split 28 x 96 Yel Zinc |
| 16 | 121250X | | Spring Cprsn 1 27 Blk Pnt |
| 17 | 123976X | | Nut Lock 1/4 Lge Fig Gr. 5 Zinc |
| 21 | 171852 | | Bolt Shoulder 5/16-18 unc Blkz-2A |
| 22 | 73800500 | | Nut |
| 23 | 71110814 | | Bolt Hex Black |
| 24 | 19171912 | | Washer 17/32 x 1-3/16 x 12 Ga. |
| 25 | 127018X | | Bolt Shoulder 5/16-18 x 62 |
| 26 | 10040800 | | Lockwasher |





| Ref # | Part Number | Qty | Description |
|-------|-------------|-----|-----------------------------------|
| 1 | 140044X428 | | Wheel Steering Auto Black |
| 2 | 175131 | | Axle Asm Front |
| 3 | 169840 | | Spindle Asm Lh |
| 4 | 169839 | | Spindle Asm Rh |
| 5 | 6266H | | Bearing Race Thrust Harden |
| 6 | 121748X | | Washer 25/32 x 1 5/8 x 16 Ga. |
| 7 | 19272016 | | Washer 27/32 x 1 1/4 x 16 Ga. |
| 8 | 12000029 | | Ring Klip #t5304-75 |
| 9 | 3366R | | Bearing Col Strg Blk |
| 10 | 175121 | | Link Drag Extended |
| 11 | 10040600 | | Lockwasher |
| 12 | 73940800 | | Nut Hex Jam Toplock 1/2-20 unf |
| 13 | 136518 | | Spacer Bearing Axle Front |
| 15 | 145212 | | Hex Flange Lock |
| 17 | 180641 | | Shaft Asm Strg |
| 26 | 126847X | | Bushing Rod Tie Blk Lt |
| 28 | 19131416 | | Washer 13/32 x 7/8 x 16 Ga. |
| 29 | 17000612 | | Screw 3/8-16 x 3/4 |
| 30 | 76020412 | | Pin |
| 32 | 130465 | | Rod Tie Wire Form 19 75 Mech |
| 36 | 155099 | | Bushing Strg 5/8 Id Dash |
| 37 | 152927 | | Screw TT #10-32 x 5 x 3/8 Flange |
| 38 | 140045X428 | | Insert Cap Strg |
| 39 | 19183812 | | Washer 9/16 ID x 2-3/8 OD 12 Gr. |
| 40 | 73540600 | | Nut Crownlock |
| 41 | 186737 | | Adaptor Wheel Strg .760 |
| 42 | 145054X428 | | Boot Dash Steering |
| 43 | 121749X | | Washer 25/32 x 1 1/4 x 16 Ga. |
| 44 | 180640 | | Extension Steering |
| 46 | 121232X | | Cap Spindle Fr Top Blk |
| 47 | 183226 | | Fitting Grease |
| 51 | 73540400 | | Nut Crownlock 1/4-28 |
| 54 | 71130420 | | Bolt Hex 1/4-28 unf x 1-1/4 Gr. 8 |
| 65 | 160367 | | Spacer Brace Axle |
| 67 | 72110618 | | Bolt Rdhd Sq 3/8-16 unc x 2-1/4 |
| 68 | 169827 | | Brace Axle |
| 71 | 175146 | | Steering Asm |
| 82 | 169835 | | Bracket Susp Chassis Front |
| 88 | 175118 | | Bolt Shoulder 7/16-20 |
| 91 | 175553 | | Clip Steering |
| 95 | 188967 | | Washer Hardened |



| Ref # | Part Number | Qty | Description |
|-------|----------------------|-----|---|
| 1 | 59192 | | Cap Valve Tire |
| 2 | 65139 | | Stem Valve |
| 3 | 106222X | | Tire F Ts 15 X 6 0 - 6 Service |
| 4 | 59904 | | Tube Front (Service Item Only) |
| 5 | 106732X624 | | Rim Asm 6" front Service |
| 6 | 278H | | Fitting Grease (Front Wheel Only) |
| 7 | 9040H | | Bearing Flange (Front Wheel Only) |
| 8 | 106108X624 | | Rim Asm 8" rear Service |
| 9 | 106268X | | Tire R Ts 18x9.5-8 Service |
| 10 | 7152J | | Tube Rear (Service Item Only) |
| 11 | 104757X428 144334 | | Cap Axle 1 50 X 1 00 Sealant, Tire (10 oz. Tube) |

