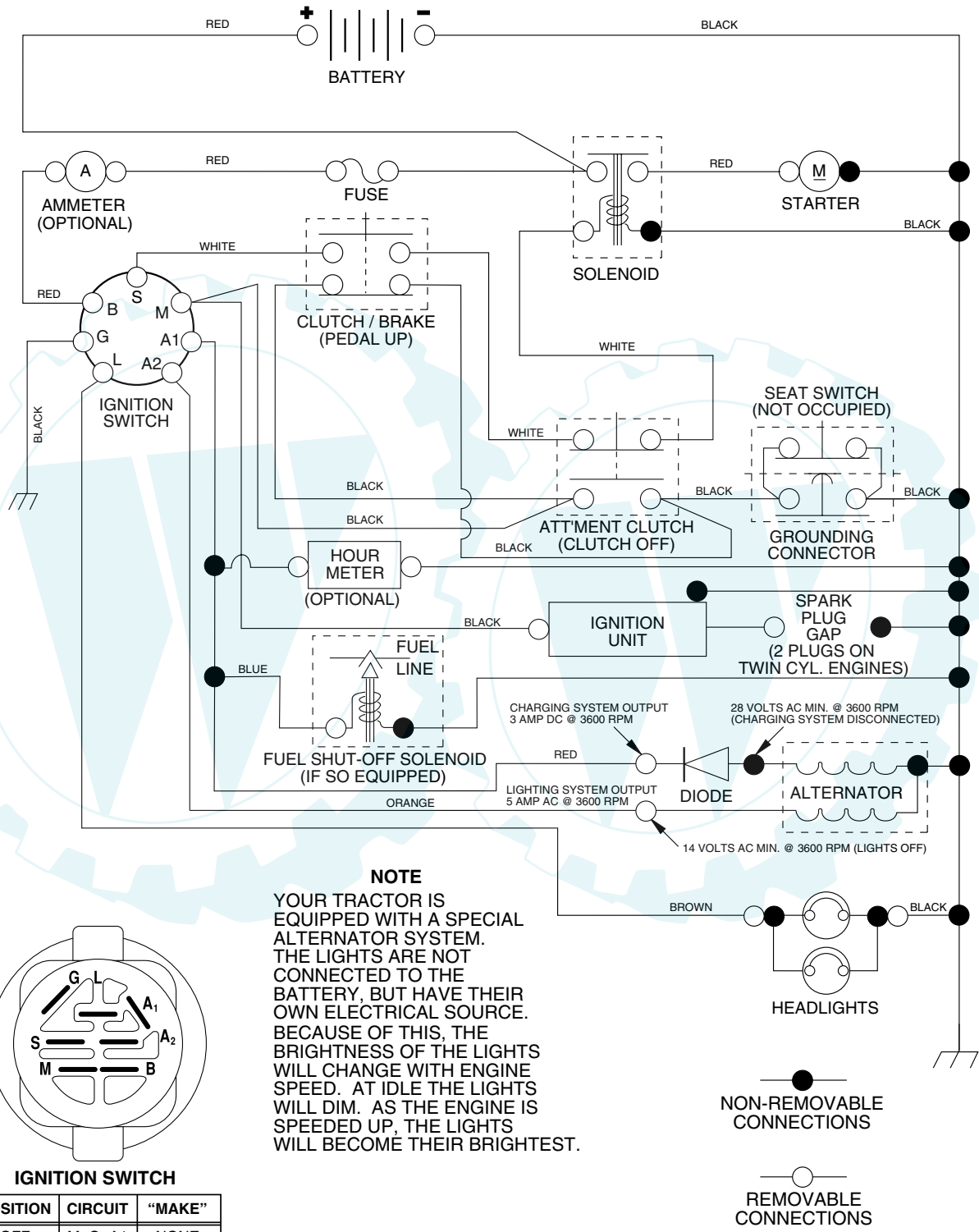


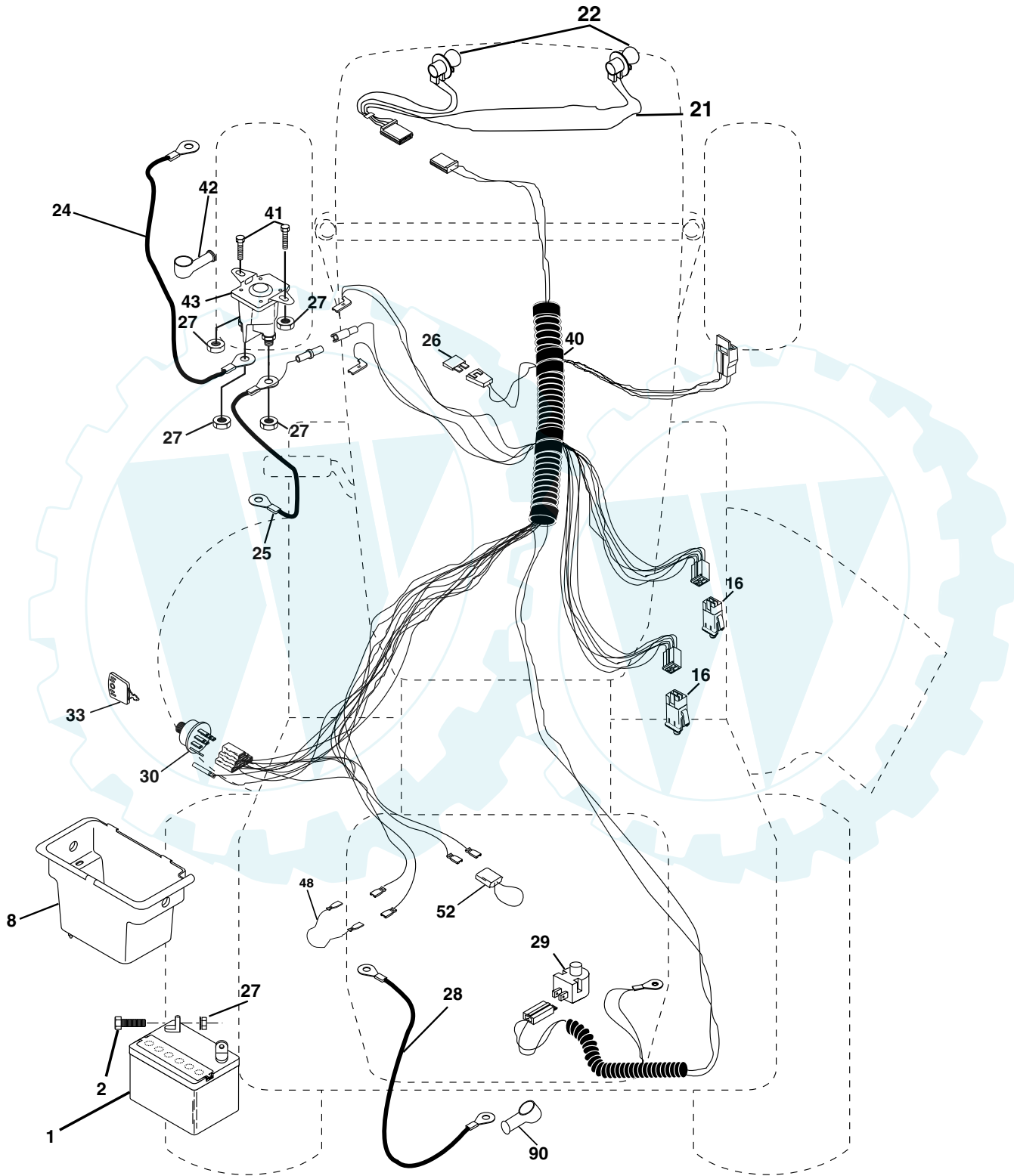
REPAIR PARTS

TRACTOR - - MODEL NUMBER PO165H42STB, PRODUCT NO. 954 56 78-19 SCHEMATIC



REPAIR PARTS

TRACTOR - - MODEL NUMBER PO165H42STB, PRODUCT NO. 954 56 78-19
ELECTRICAL



REPAIR PARTS

www.ersatzteil-service.de

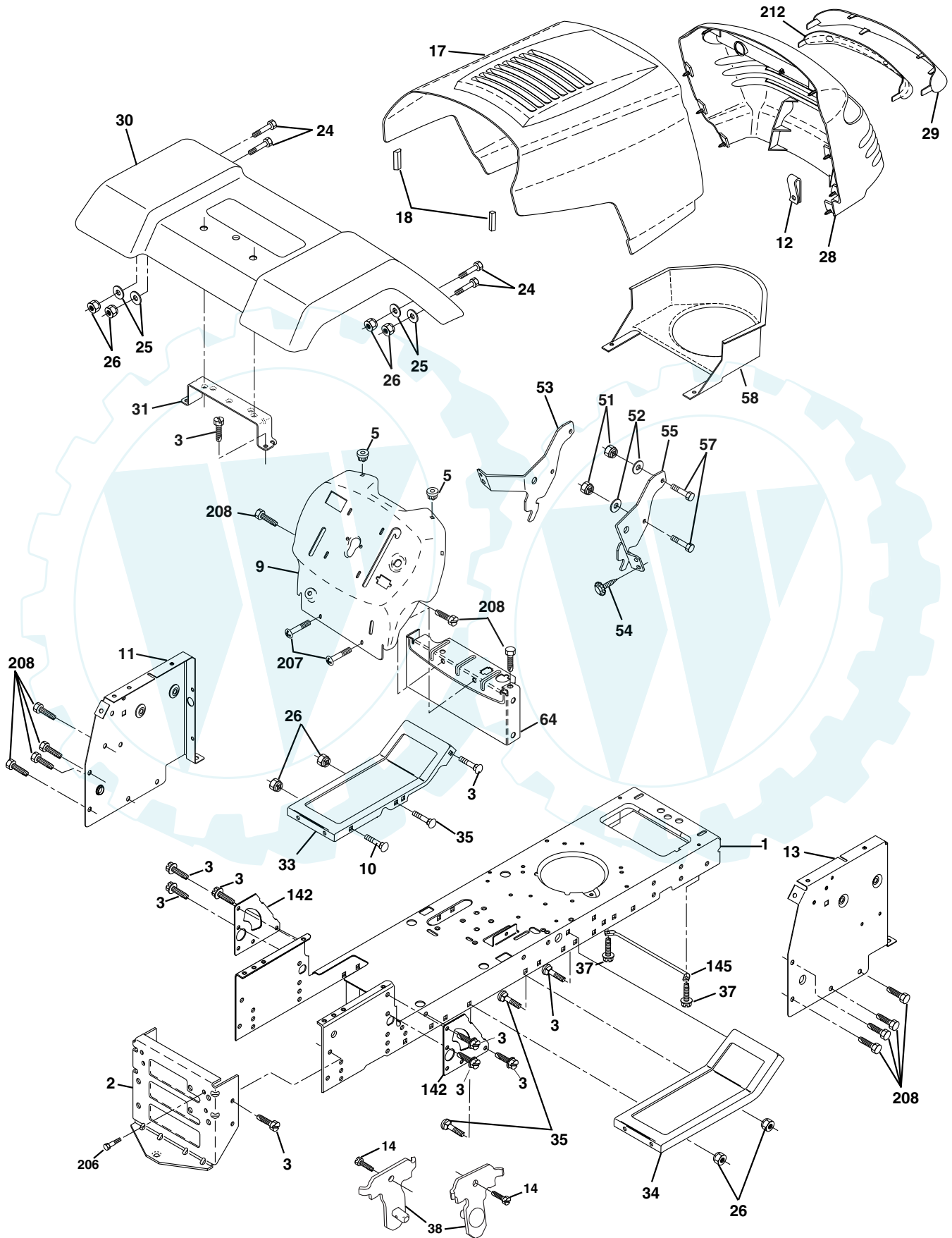
TRACTOR - - MODEL NUMBER PO165H42STB, PRODUCT NO. 954 56 78-19
ELECTRICAL

| KEY NO. | PART NO. | DESCRIPTION |
|---------|---------------|----------------------------------|
| 1 | 163465 | Battery 12 Volt 25 Amp |
| 2 | 74760412 | Bolt Hex Hd 1/4-20unc X 3/4 |
| 8 | 176689 | Box Battery |
| 16 | 176138 | Switch Interlock Push -In |
| 21 | 175685 | Harness Asm Light W/4152J |
| 22 | 4152J | Bulb Light #1156 |
| 24 | 4799J | Cable Battery 6 Ga 11"red |
| 25 | 146147 | Cable Battery 6 Ga w/16 wire,red |
| 26 | 175158 | Fuse 20 AMP |
| 27 | 73510400 | Nut Keps Hex 1/4-20 unc |
| 28 | 4207J | Cable Ground 6 Ga 12" black |
| 29 | 121305X | Switch Plunger Nc Gray |
| 30 | 175566 | Switch Ign |
| 33 | 140401 | Key Ign |
| 40 | 179720 | Harness Ign |
| 41 | 71110408 | Bolt Blk Fin Hex 1/4-20 X 1/2 |
| 42 | 131563 | Cover Terminal Red |
| 43 | 178861 | Solenoid |
| 48 | 140844 | Adapter Ammeter |
| 52 | 141940 | Protection Wire Loop |
| 90 | 180449 | Cover Terminal |

NOTE: All component dimensions give in U.S. inches
1 inch = 25.4 mm.

REPAIR PARTS

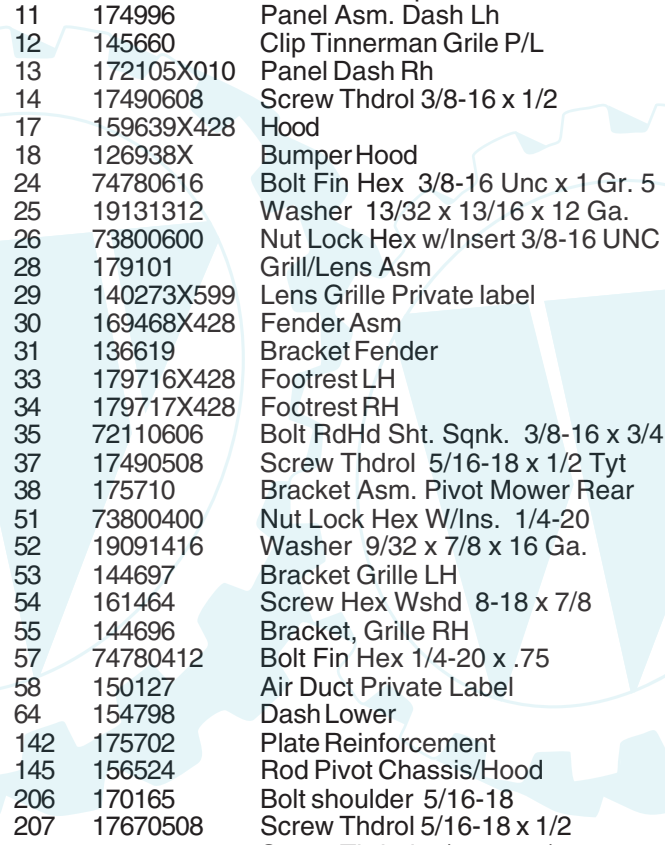
TRACTOR - - MODEL NUMBER PO165H42STB, PRODUCT NO. 954 56 78-19
CHASSIS AND ENCLOSURES



REPAIR PARTS

www.ersatzteil-service.de

TRACTOR - - MODEL NUMBER PO165H42STB, PRODUCT NO. 954 56 78-19 CHASSIS AND ENCLOSURES



| KEY NO. | PART NO. | DESCRIPTION |
|---------|------------|-----------------------------------|
| 1 | 174619 | Chassis |
| 2 | 176554 | Drawbar |
| 3 | 17060612 | Screw 3/8-16 x 3/4 |
| 5 | 155272 | BumperHood/Dash |
| 9 | 168336X010 | Dash |
| 10 | 72140608 | Bolt RdHd Sqnk. 3/8-16 Unc x 1 |
| 11 | 174996 | Panel Asm. Dash Lh |
| 12 | 145660 | Clip Tinnerman Grile P/L |
| 13 | 172105X010 | Panel Dash Rh |
| 14 | 17490608 | Screw Thdrol 3/8-16 x 1/2 |
| 17 | 159639X428 | Hood |
| 18 | 126938X | BumperHood |
| 24 | 74780616 | Bolt Fin Hex 3/8-16 Unc x 1 Gr. 5 |
| 25 | 19131312 | Washer 13/32 x 13/16 x 12 Ga. |
| 26 | 73800600 | Nut Lock Hex w/Insert 3/8-16 UNC |
| 28 | 179101 | Grill/Lens Asm |
| 29 | 140273X599 | Lens Grille Private label |
| 30 | 169468X428 | Fender Asm |
| 31 | 136619 | Bracket Fender |
| 33 | 179716X428 | Footrest LH |
| 34 | 179717X428 | Footrest RH |
| 35 | 72110606 | Bolt RdHd Sht. Sqnk. 3/8-16 x 3/4 |
| 37 | 17490508 | Screw Thdrol 5/16-18 x 1/2 Tyt |
| 38 | 175710 | Bracket Asm. Pivot Mower Rear |
| 51 | 73800400 | Nut Lock Hex W/Ins. 1/4-20 |
| 52 | 19091416 | Washer 9/32 x 7/8 x 16 Ga. |
| 53 | 144697 | Bracket Grille LH |
| 54 | 161464 | Screw Hex Wshd 8-18 x 7/8 |
| 55 | 144696 | Bracket, Grille RH |
| 57 | 74780412 | Bolt Fin Hex 1/4-20 x .75 |
| 58 | 150127 | Air Duct Private Label |
| 64 | 154798 | Dash Lower |
| 142 | 175702 | Plate Reinforcement |
| 145 | 156524 | Rod Pivot Chassis/Hood |
| 206 | 170165 | Bolt shoulder 5/16-18 |
| 207 | 17670508 | Screw Thdrol 5/16-18 x 1/2 |
| 208 | 17670608 | Screw Thdrol 3/8-16 x 1/2 |
| 212 | 156229 | Insert Lens Reflector |
| -- | 5479J | Plug Btn Blk |

NOTE: All component dimensions given in U.S. inches
1 inch = 25.4 mm

REPAIR PARTS

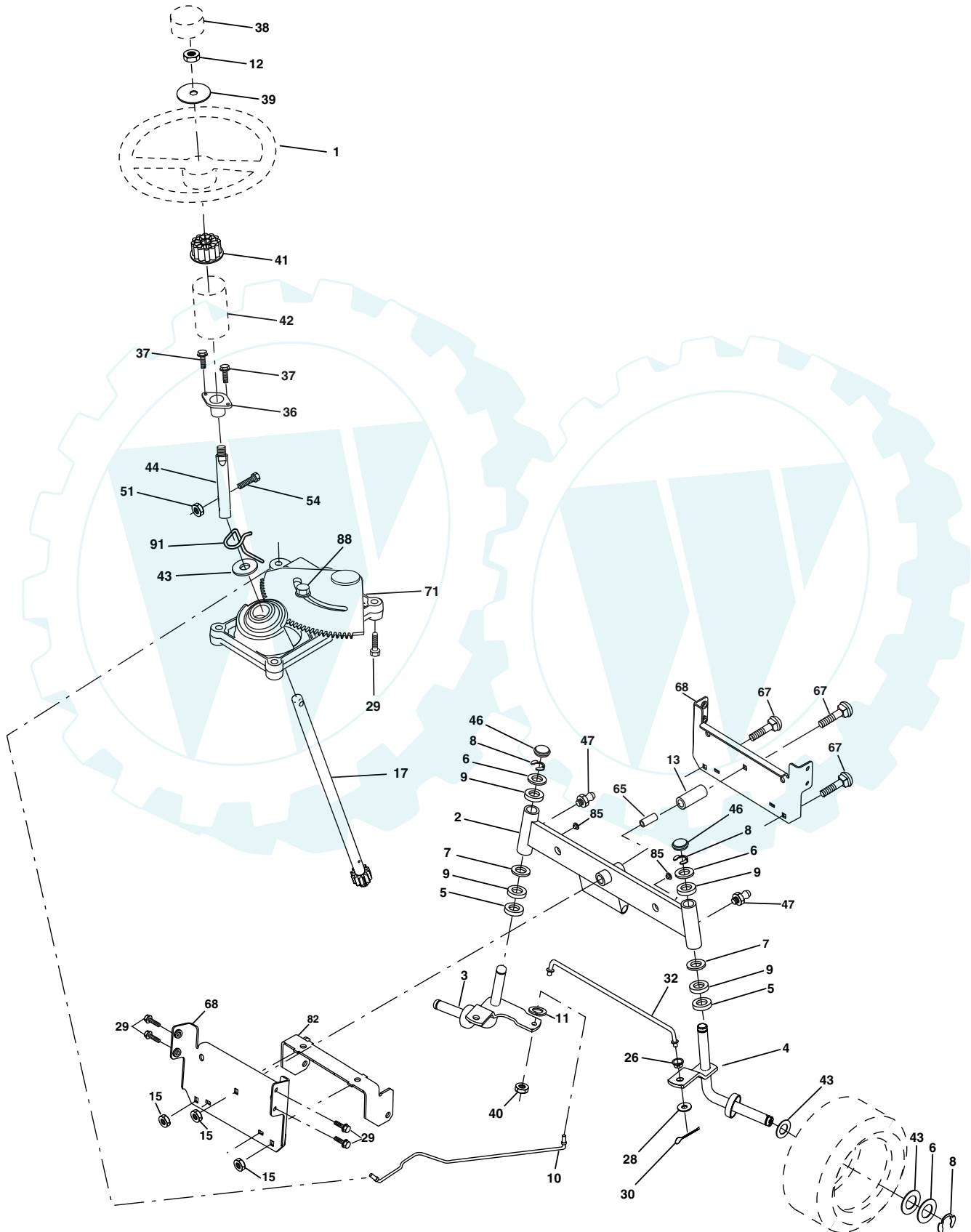
TRACTOR - - MODEL NUMBER PO165H42STB, PRODUCT NO. 954 56 78-19 DRIVE

| KEY NO. | PART NO. | DESCRIPTION | KEY NO. | PART NO. | DESCRIPTION |
|---------|----------|--|---------|------------|-----------------------------------|
| 1 | ----- | Transaxle Hydro Gear Model 322-0510 (Order parts from the transaxle manufacturer) | 70 | 134683 | Guide, Belt, Mower Drive RH |
| 8 | 165619 | Rod, Shift | 71 | 169183 | Strap, Torque, Lh |
| 10 | 76020416 | Pin, Cotter 1/8 x 1 | 73 | 169182 | Strap, Torque, Rh |
| 14 | 10040400 | Washer Lock 1/4 | 74 | 137057 | Spacer, Axle |
| 15 | 74490544 | Bolt Hex Flghd 5/16-18 Gr. 5 | 75 | 121749X | Washer 25/32 x 1-1/4 x 16 Ga. |
| 16 | 73800500 | Nut, Lock Hex w/Ins 5/16-18 UNC | 76 | 12000001 | Ring, E |
| 19 | 73800600 | Nut, Lock Hex w/Wsh 3/8-16 UNC | 77 | 123583X | Key, Square |
| 21 | 106933X | Knob Rd. 1/2-13 Plstc. Thds. Blk. | 78 | 121748X | Washer 25/32 x 1-5/8 x 16 Ga. |
| 22 | 169498 | Rod, Brake | 81 | 165596 | Shaft Asm Cross |
| 24 | 73350600 | Nut | 82 | 123782X | Spring, Torsion |
| 25 | 106888X | Spring, Rod, Brake | 83 | 19171216 | Washer 17/32 x 3/4 x 16 Ga. |
| 26 | 19131316 | Washer 13/32 x 13/16 x 16 Ga. | 84 | 169843 | Link Transaxle |
| 27 | 76020412 | Pin, Cotter 1/8 x 3/4 | 89 | 169373X428 | Console, Shift |
| 28 | 175765 | Rod, Parking Brake | 95 | 170201 | Control Asm Bypass Hydro |
| 29 | 71673 | Cap, Parking Brake | 96 | 4497H | Spring, Retainer 1" |
| 30 | 174973 | Bracket, Transmission | 103 | 73940800 | Nut, Hex Jam Toplock 1/2-20 UNF |
| 32 | 74760512 | Bolt Hex 5/16-18 UNC x 3/4 | 116 | 72140608 | Bolt 3/8-16 x 1 |
| 34 | 175578 | Shaft, Foot Pedal | 120 | 73900600 | Bolt Hex 3/8-16 x 1-1/2 |
| 35 | 120183X | Bearing, Nylon | 150 | 175456 | Spacer Retainer |
| 36 | 19211616 | Washer | 151 | 19133210 | Washer 13/32 x 2 x 10 |
| 37 | 1572H | Pin, Roll | 156 | 166002 | Washer 5/16 x 1.0 x 1.25 |
| 38 | 179114 | Pulley, Idler, Composite | 158 | 165589 | Bracket Shift Mount |
| 39 | 74760648 | Bolt | 159 | 165494 | Hub Tapered Flange Shift |
| 41 | 175556 | Keeper, Belt, Idler | 161 | 72140406 | Bolt Rdhd Sqnk 1/4-20 x 3/4 Gr. 5 |
| 47 | 127783 | Pulley, Idler, V-Belt | 162 | 73680400 | Nut Crownlock 1/4-20 Unc |
| 48 | 154407 | Bellcrank Clutch Grnd Drustl | 163 | 74780416 | Bolt Hex Fin 1/4-20 x 1 |
| 49 | 123205X | Retainer, Belt | 164 | 19091010 | Washer 5/8 x .281 x 10 Ga. |
| 50 | 74760624 | Bolt | 165 | 165623 | Bracket Pivot Lever |
| 51 | 73680600 | Nut | 166 | 166880 | Screw 5/16 x 1.0 x .125 |
| 52 | 73680500 | Nut Crownlock 5/16-28 | 168 | 165492 | Bolt Shoulder 5/16-18 x .561 |
| 53 | 105710X | Link, Clutch | 169 | 165580 | Plate Fastening LT |
| 55 | 105709X | Spring, Return, Clutch | 197 | 169613 | Nyliner Snap-in 5/8" ID |
| 56 | 17060620 | Screw 3/8-16 x 1-1/4 | 198 | 169593 | Washer Nyl 7/8ID x .105"HYD |
| 57 | 140294 | V-Belt, Drive | 199 | 169612 | Bolt Shoulder 5/16-18 Unc |
| 59 | 169691 | Keeper, Belt, Center | 200 | 72140508 | Bolt Rdhd Sqnk 5/16-18 Unc x 1 |
| 61 | 17120614 | Screw, 3/8-16 x .875 | 202 | 72110614 | Bolt Car SH 3/8-16 x 1-1/2 Gr 5 |
| 62 | 8883R | Cover, Pedal | 205 | 19171616 | Washer 17/32 x 1 x 16 Ga |
| 63 | 175410 | Pulley, Engine | 212 | 145212 | Nut Hex Flange Lock |
| 64 | 71170764 | Bolt Hex 7/16 x 4 Gr. 5 | 250 | 17060612 | Screw 3/8-16 x .75 |
| 65 | 10040700 | Washer | | | |
| 66 | 154778 | Keeper, Belt Engine Hydro | | | |
| 69 | 142432 | Screw Hex Wsh Hi-Lo 1/4-1/2 Unc | | | |

NOTE: All component dimensions given in U.S. inches
1 inch = 25.4 mm

REPAIR PARTS

TRACTOR - - MODEL NUMBER PO165H42STB, PRODUCT NO. 954 56 78-19 STEERING ASSEMBLY



REPAIR PARTS

www.ersatzteil-service.de

TRACTOR - - MODEL NUMBER PO165H42STB, PRODUCT NO. 954 56 78-19 STEERING ASSEMBLY

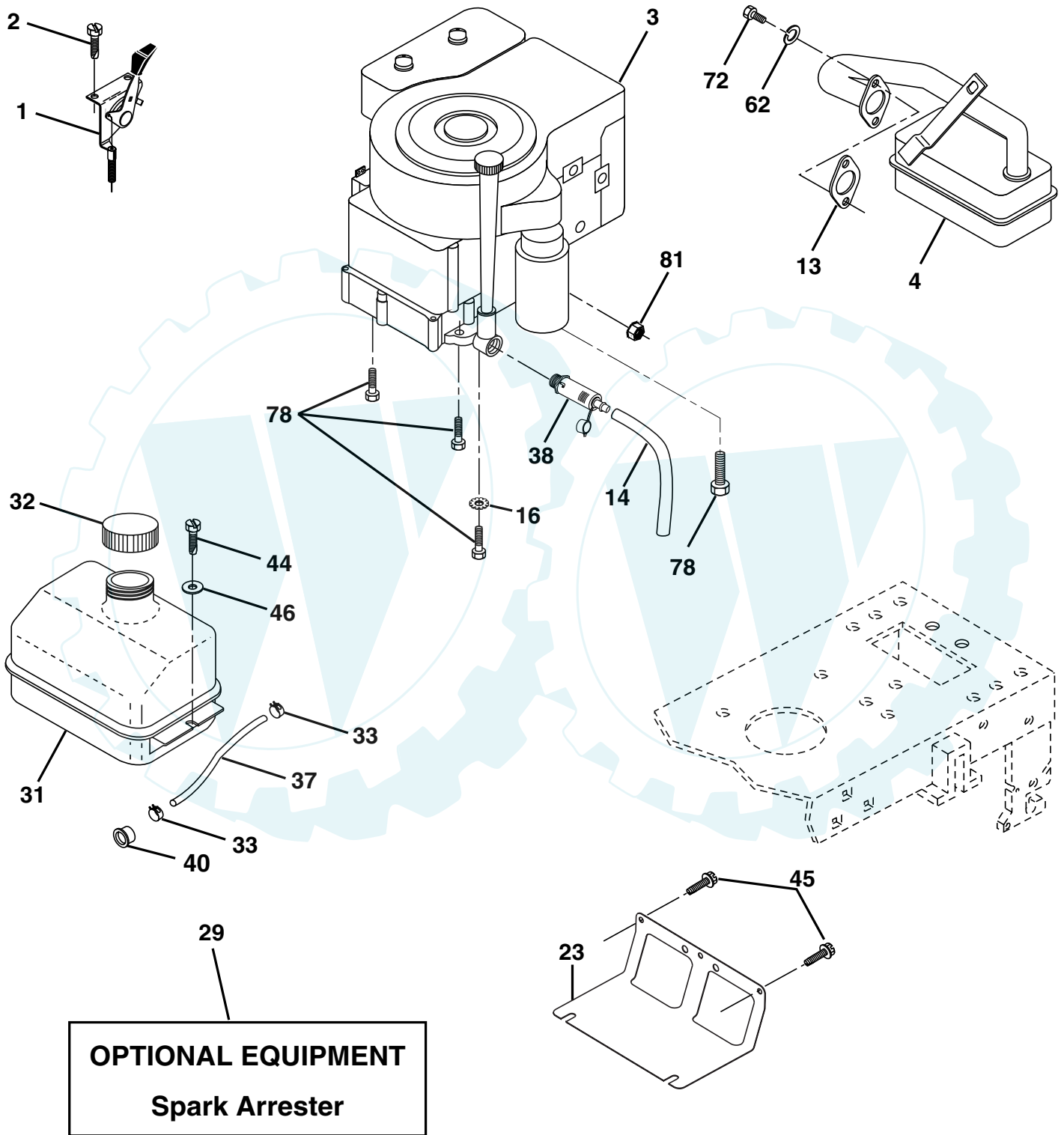


| KEY NO. | PART NO. | DESCRIPTION |
|---------|-----------------|----------------------------------|
| 1 | 140044X428 | Wheel Steering Auto Black |
| 2 | 175131 | Axle Asm Front |
| 3 | 169840 | Spindle Asm Lh |
| 4 | 169839 | Spindle Asm Rh |
| 5 | 6266H | Bearing Race Thrust Harden |
| 6 | 121748X | Washer 25/32 X 1 5/8 X 16ga |
| 7 | 19272016 | Washer 27/32 X 1 1/4 X 16 Ga |
| 8 | 12000029 | Ring Klip #t5304-75 |
| 9 | 3366R | Bearing Col Strg Blk |
| 10 | 175121 | Link Drag Extended |
| 11 | 10040600 | Lockwasher |
| 12 | 73940800 | Nut Hex Jam Toplock 1/2-20 Unf |
| 13 | 136518 | Spacer Bearing Axle Front |
| 15 | 145212 | Hex Flange Lock |
| 17 | 180641 | Shaft Asm Strg |
| 26 | 126847X | Bushing Rod Tie Blk Lt |
| 28 | 19131416 | Washer 13/32 X 7/8 X 16ga |
| 29 | 17060612 | Screw 3/8-16x3/4 |
| 30 | 76020412 | Pin |
| 32 | 130465 | Rod Tie Wire Form 19 75 Mech |
| 36 | 155099 | Bushing Strg 5/8 Id Dash |
| 37 | 152927 | Screw TT #10-32 x 5 x 3/8 Flange |
| 38 | 140045X428 | Insert Cap Strg |
| 39 | 19183812 | Washer 9/16 ID x 2-3/8 OD 12 Gr |
| 40 | 7810H | Locknut Center |
| 41 | 100711L | Adaptor Wheel Strg 640/ 635id |
| 42 | 145054X428 | Boot Dash Steering |
| 43 | 121749X | Washer 25/32 X 1 1/4 X 16 Ga |
| 44 | 180640 | Extension Steering |
| 46 | 121232X | Cap Spindle Fr Top Blk |
| 47 | 6855M | Fitting Grease |
| 51 | 73540400 | Nut Crownlock 1/4-28 |
| 54 | 71130420 | Bolt Hex 1/4-28unf x 1-1/4 Gr. 8 |
| 65 | 160367 | Spacer Brace Axle |
| 67 | 72140618 | Bolt Rdhd Sq 3/8-16 Unc x 2-3/4 |
| 68 | 169827 | Brace Axle |
| 71 | 175146 | Steering Asm |
| 82 | 169835 | Bracket Susp Chassis Front |
| 85 | 133835 | Fastener Christmas Tree |
| 88 | 175118 | Bolt Shoulder 7/16-20 |
| 91 | 175553 | Clip Steering |

NOTE: All component dimensions given in U.S. inches
1 inch = 25.4 mm

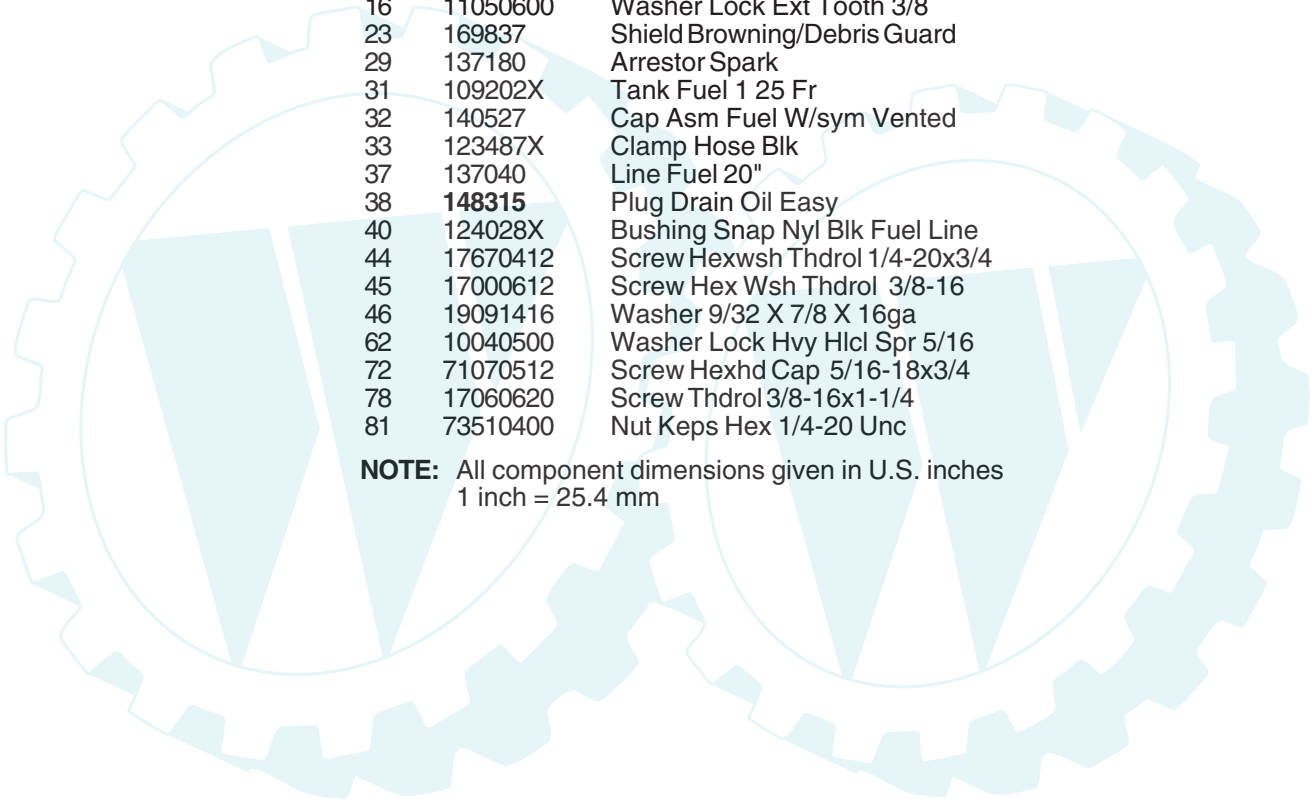
REPAIR PARTS

TRACTOR - - MODEL NUMBER PO165H42STB, PRODUCT NO. 954 56 78-19
ENGINE



REPAIR PARTS

TRACTOR - - MODEL NUMBER PO165H42STB, PRODUCT NO. 954 56 78-19
ENGINE

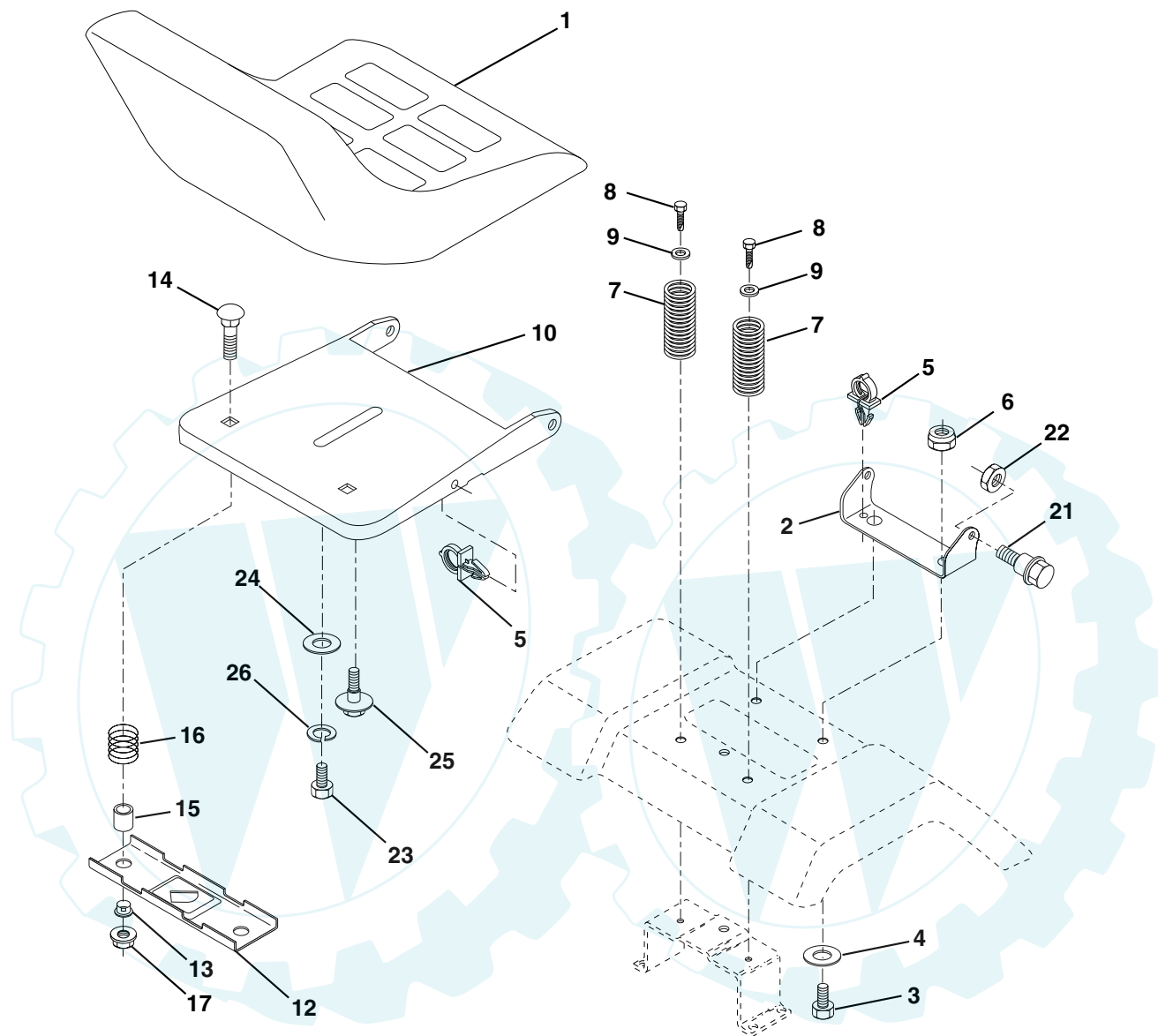


| KEY NO. | PART NO. | DESCRIPTION |
|---------|---------------|--|
| 1 | 170551 | Control Throt /Ch Flag |
| 2 | 17720408 | Screw Hex Thd Cut 1/4-20x1/2 |
| 3 | ----- | Engine Briggs Model 310707 (Order Parts From Engine Manufacturer) |
| 4 | 137352 | Muffler Exhaust B&S Lt |
| 13 | 165291 | Gasket 1 313 Id Tin Plated |
| 14 | 148456 | Tube Drain Oil Easy |
| 16 | 11050600 | Washer Lock Ext Tooth 3/8 |
| 23 | 169837 | Shield Browning/Debris Guard |
| 29 | 137180 | Arrestor Spark |
| 31 | 109202X | Tank Fuel 1 25 Fr |
| 32 | 140527 | Cap Asm Fuel W/sym Vented |
| 33 | 123487X | Clamp Hose Blk |
| 37 | 137040 | Line Fuel 20" |
| 38 | 148315 | Plug Drain Oil Easy |
| 40 | 124028X | Bushing Snap Nyl Blk Fuel Line |
| 44 | 17670412 | Screw Hexwsh Thdrol 1/4-20x3/4 |
| 45 | 17000612 | Screw Hex Wsh Thdrol 3/8-16 |
| 46 | 19091416 | Washer 9/32 X 7/8 X 16ga |
| 62 | 10040500 | Washer Lock Hvy Hlcl Spr 5/16 |
| 72 | 71070512 | Screw Hexhd Cap 5/16-18x3/4 |
| 78 | 17060620 | Screw Thdrol 3/8-16x1-1/4 |
| 81 | 73510400 | Nut Keps Hex 1/4-20 Unc |

NOTE: All component dimensions given in U.S. inches
1 inch = 25.4 mm

REPAIR PARTS

TRACTOR - - MODEL NUMBER PO165H42STB, PRODUCT NO. 954 56 78-19
SEAT ASSEMBLY



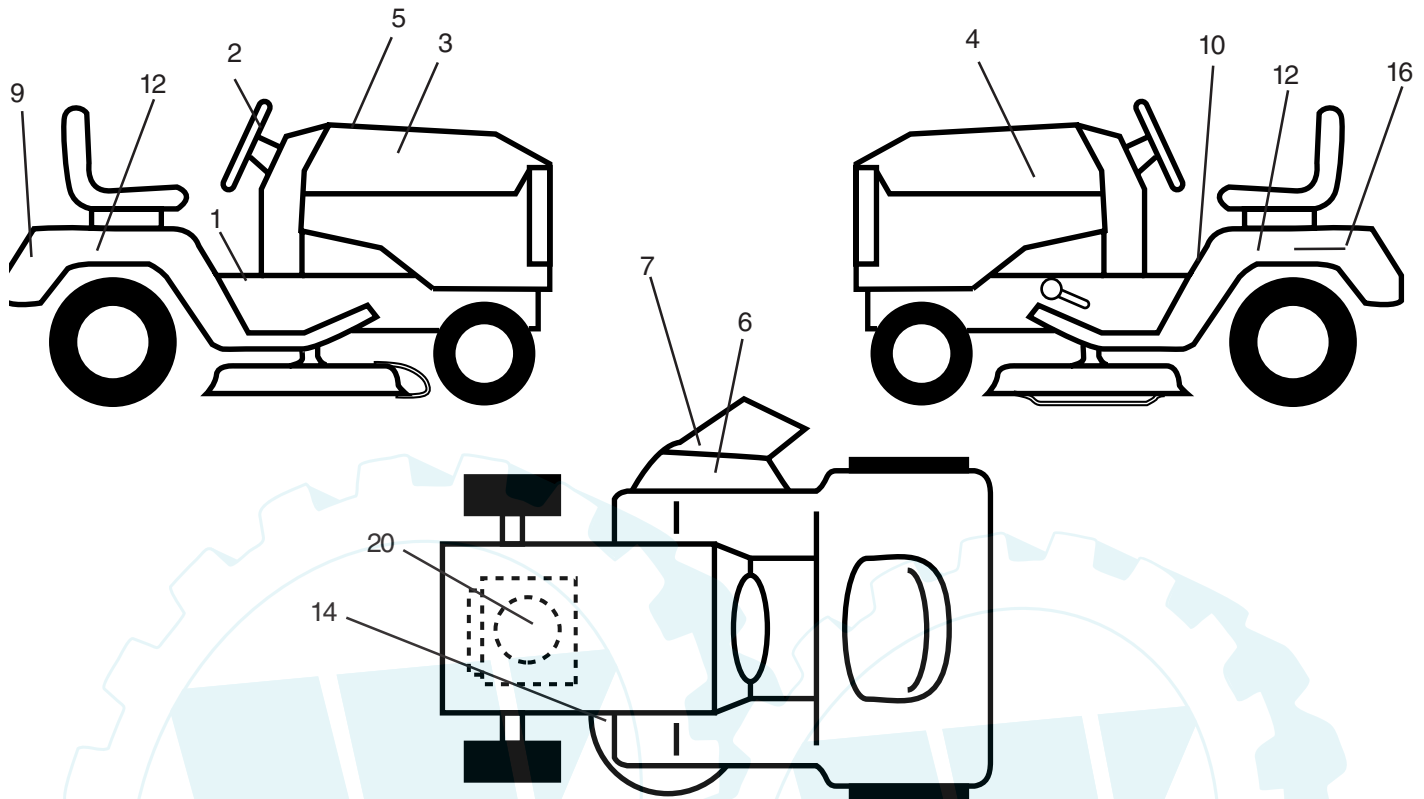
| KEY NO. | PART NO. | DESCRIPTION |
|---------|---------------|--------------------------------|
| 1 | 140116 | Seat |
| 2 | 140551 | Bracket Pnt Pivot Seat (blk) |
| 3 | 71110616 | Bolt |
| 4 | 19131610 | Washer 13/32 x 1 x 10 Ga |
| 5 | 145006 | Clip Push-In Hinged |
| 6 | 73800600 | Nut |
| 7 | 124181X | Spring Seat Cprsn 2 250 Blk Zi |
| 8 | 17000616 | Screw 3/8-16 x 1.5 |
| 9 | 19131614 | Washer 13/32 x 1 x 14 Ga |
| 10 | 182493 | Pan Pnt Seat (blk) |
| 12 | 121246X | Bracket Pnt Mounting Switch |
| 13 | 121248X | Bushing Snap Blk Nyl 50 Id |

| KEY NO. | PART NO. | DESCRIPTION |
|---------|----------|-----------------------------------|
| 14 | 72050412 | Bolt Rdhd Sht Nk 1/4-20 x 1-1/2 |
| 15 | 134300 | Spacer Split 28 x 96 Yel Zinc |
| 16 | 121250X | Spring Cprsn 1 27 Blk Pnt |
| 17 | 123976X | Nut Lock 1/4 Lge Flg Gr 5 Zinc |
| 21 | 171852 | Bolt Shoulder 5/16-18 Unc Blkz-2A |
| 22 | 73800500 | Nut |
| 23 | 71110814 | Bolt Hex Black |
| 24 | 19171912 | Washer 17/32 x 1-3/16 x 12 Ga |
| 25 | 127018X | Bolt Shoulder 5/16-18 x 62 |
| 26 | 10040800 | Lockwasher |

NOTE: All component dimensions given in U.S. inches
1 inch = 25.4 mm

REPAIR PARTS

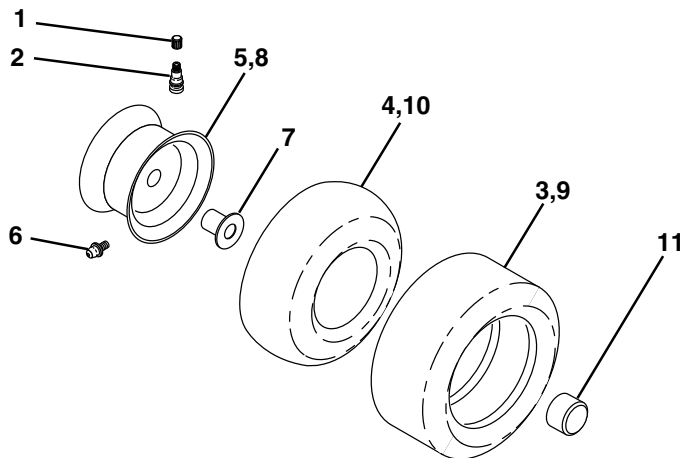
TRACTOR - - MODEL NUMBER PO165H42STB, PRODUCT NO. 954 56 78-19
DECALS



| KEY NO. | PART NO. | DESCRIPTION |
|---------|----------|---|
| 1 | 157032 | Decal Instruction Operat English/French |
| 2 | 158168 | Decal Ins Strg Wh |
| 3 | 175782 | Decal Hood Rh |
| 4 | 175783 | Decal Hood Lh |
| 5 | 180890 | Decal Final Replacement |
| 6 | 170563 | Decal, Warning |
| 7 | 179128 | Decal Deck "B" 42" |
| 9 | 158166 | Decal Fender Logo |

| KEY NO. | PART NO. | DESCRIPTION |
|---------|---------------|-----------------------------|
| 10 | 157140 | Decal Danger English |
| 12 | 175784 | Decal Fender |
| 14 | 160396 | Decal V-belt Schematic 42" |
| 16 | 145005 | Decal Battery Danger/Poison |
| 20 | 170945 | Decal HP Engine |
| -- | 138311 | Decal Lift Handle |
| -- | 169210 | Decal By-Pass |
| -- | 183064 | Manual Owner's English |
| -- | 183065 | Manual Owner's French |

WHEELS & TIRES

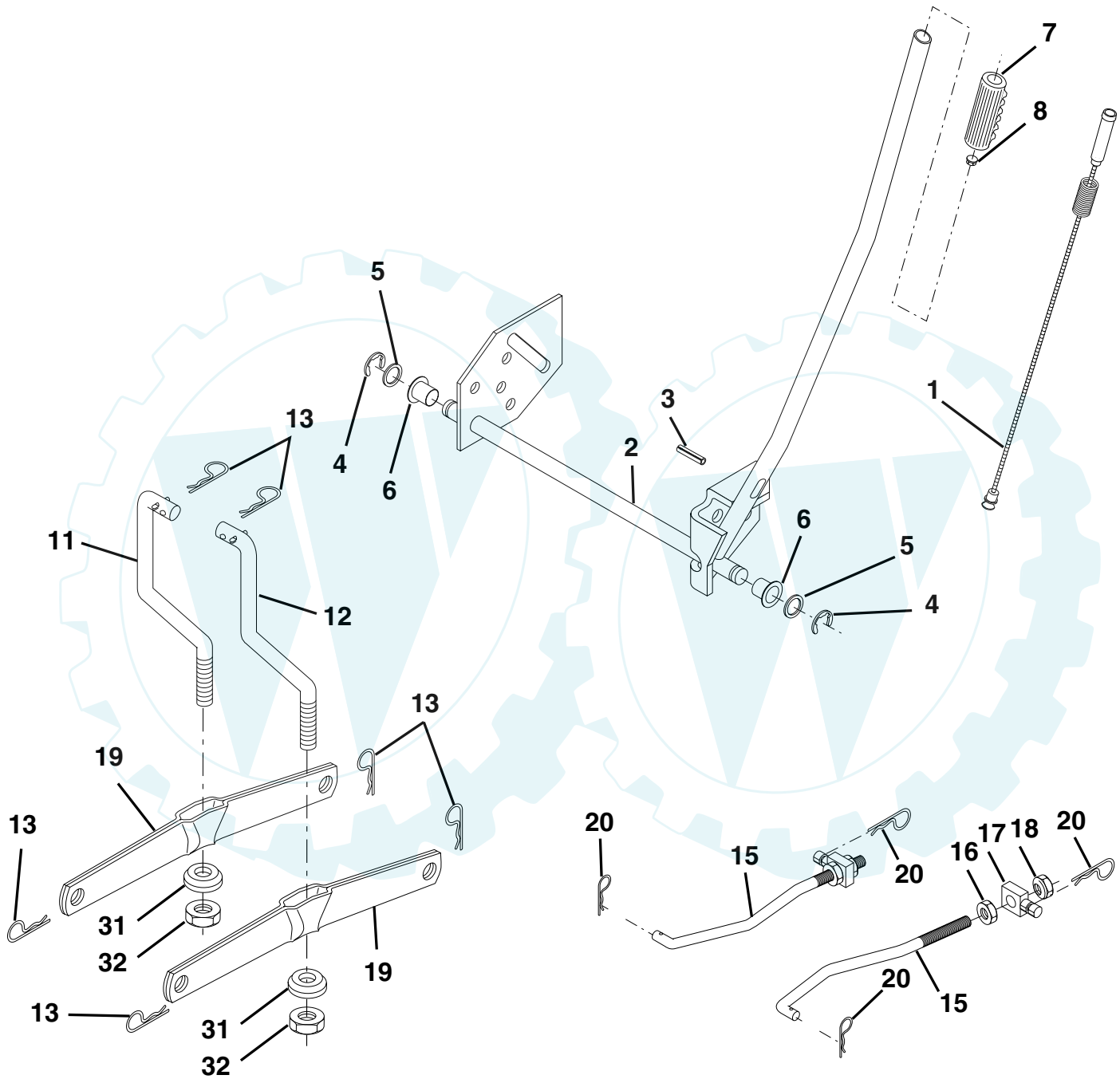


| KEY NO. | PART NO. | DESCRIPTION |
|---------|------------|-----------------------------------|
| 1 | 59192 | Cap Valve Tire |
| 2 | 65139 | Stem Valve |
| 3 | 106222X | Tire F Ts 15 X 6 0 - 6 Service |
| 4 | 59904 | Tube Front (Service Item Only) |
| 5 | 106732X427 | Rim Asm 6" front White Service |
| 6 | 278H | Fitting Grease (Front Wheel Only) |
| 7 | 9040H | Bearing Flange (Front Wheel Only) |
| 8 | 106108X427 | Rim Asm 8" rear White Service |
| 9 | 106268X | Tire R Ts 18x9.5-8 C Service |
| 10 | 7152J | Tube Rear (Service Item Only) |
| 11 | 104757X428 | Cap Axle Blk 1 50 X 1 00 |
| -- | 144334 | Sealant, Tire (10 oz. Tube) |

NOTE: All component dimensions given in U.S. inches
1 inch = 25.4 mm

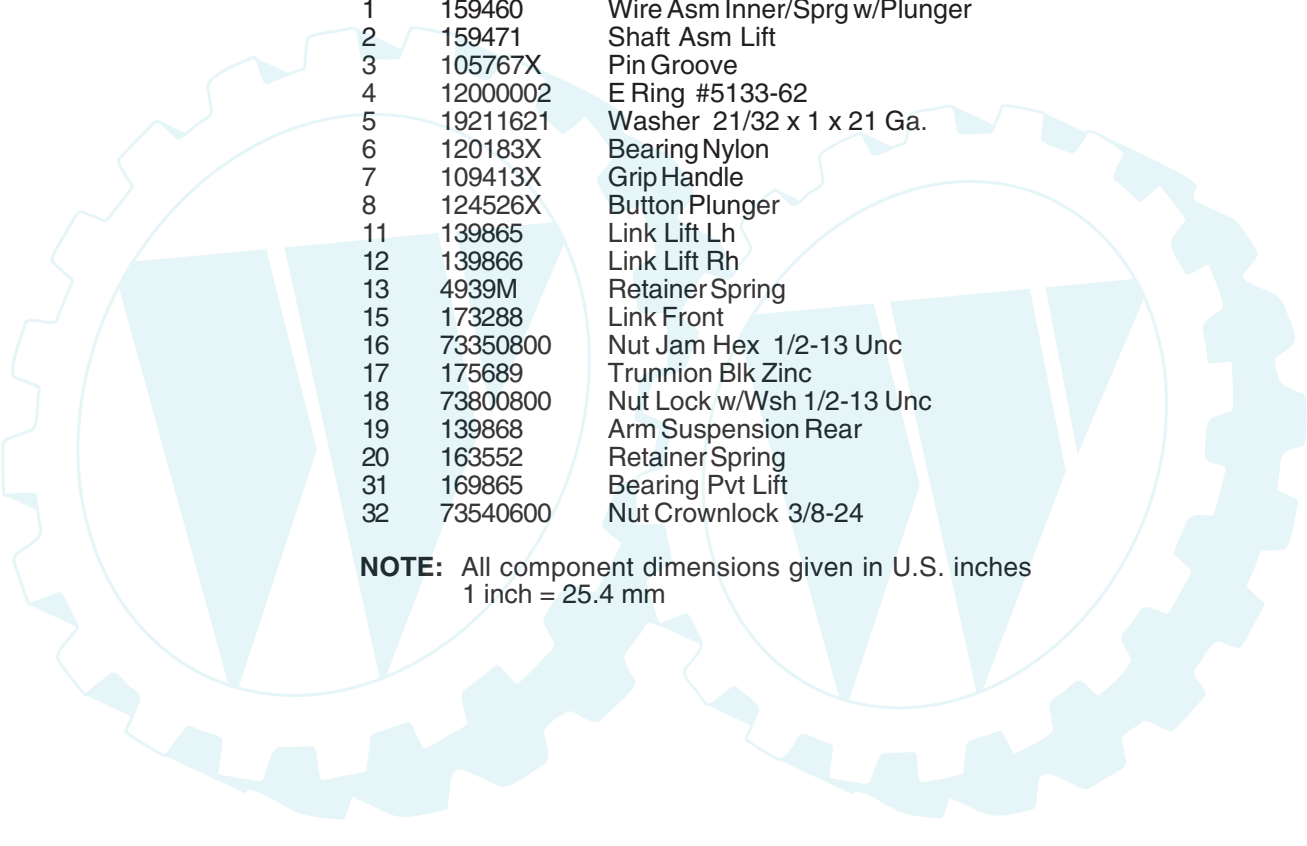
REPAIR PARTS

TRACTOR - - MODEL NUMBER PO165H42STB, PRODUCT NO. 954 56 78-19
MOWER LIFT



REPAIR PARTS

TRACTOR - - MODEL NUMBER PO165H42STB, PRODUCT NO. 954 56 78-19
MOWER LIFT



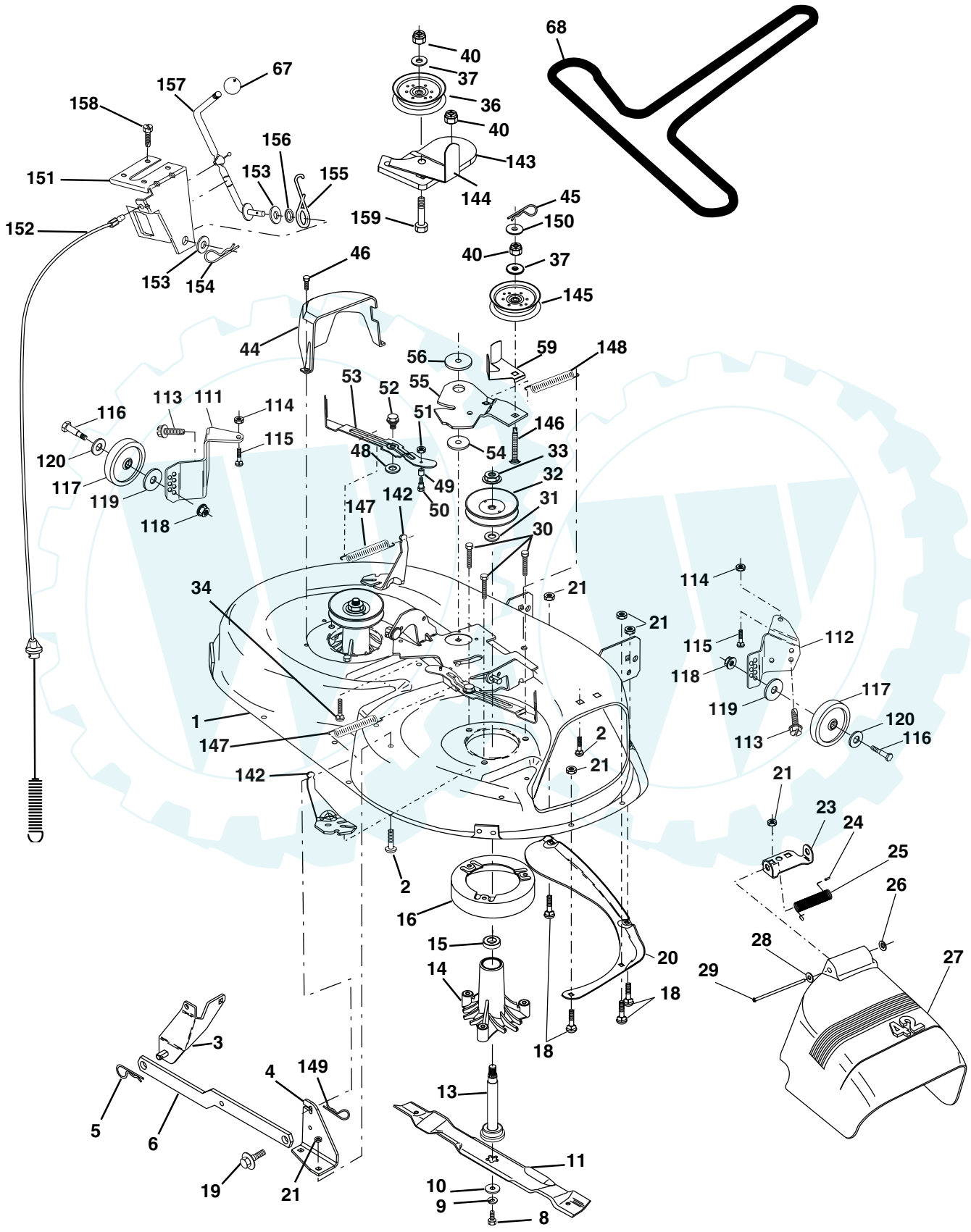
| KEY NO. | PART NO. | DESCRIPTION |
|---------|----------|-------------------------------|
| 1 | 159460 | Wire Asm Inner/Sprg w/Plunger |
| 2 | 159471 | Shaft Asm Lift |
| 3 | 105767X | Pin Groove |
| 4 | 12000002 | E Ring #5133-62 |
| 5 | 19211621 | Washer 21/32 x 1 x 21 Ga. |
| 6 | 120183X | Bearing Nylon |
| 7 | 109413X | Grip Handle |
| 8 | 124526X | Button Plunger |
| 11 | 139865 | Link Lift Lh |
| 12 | 139866 | Link Lift Rh |
| 13 | 4939M | Retainer Spring |
| 15 | 173288 | Link Front |
| 16 | 73350800 | Nut Jam Hex 1/2-13 Unc |
| 17 | 175689 | Trunnion Blk Zinc |
| 18 | 73800800 | Nut Lock w/Wsh 1/2-13 Unc |
| 19 | 139868 | Arm Suspension Rear |
| 20 | 163552 | Retainer Spring |
| 31 | 169865 | Bearing Pvt Lift |
| 32 | 73540600 | Nut Crownlock 3/8-24 |

NOTE: All component dimensions given in U.S. inches
1 inch = 25.4 mm

REPAIR PARTS

www.ersatzteil-service.de

TRACTOR - - MODEL NUMBER PO165H42STB, PRODUCT NO. 954 56 78-19
MOWER DECK



REPAIR PARTS

www.ersatzteil-service.de

TRACTOR - - MODEL NUMBER PO165H42STB, PRODUCT NO. 954 56 78-19 MOWER DECK

| KEY NO. | PART NO. | DESCRIPTION | KEY NO. | PART NO. | DESCRIPTION |
|---------|---------------|----------------------------------|---------|---------------|--|
| 1 | 165892 | Mower Deck Assembly, 42" | 54 | 133943 | Washer, Hardened |
| 2 | 72140506 | Bolt | 55 | 155046 | Arm, Idler |
| 3 | 138017 | Bracket Asm Fr. Sway Bar 3/42 | 56 | 165723 | Spacer, Retainer |
| 4 | 165460 | Bracket Asm Deck 42" Sway Bar | 59 | 141043 | Guard TUV Idler |
| 5 | 4939M | Retainer Spring | 67 | 106932X | Knob |
| 6 | 178024 | Bar Sway Deck | 68 | 144959 | V-Belt, 42" Mower |
| 8 | 850857 | Bolt 3/8-24 x 25 Grade 8 patched | 111 | 179292 | Bracket, Gauge, Wheel LH |
| 9 | 10030600 | Washer, Lock | 112 | 179293 | Bracket, Gauge, Wheel RH |
| 10 | 140296 | Washer, Hardened | 113 | 17060510 | Screw Tapping 3/8-16 x .625 |
| 11 | 138498 | Blade | 114 | 73510500 | Nut, Keps 5/16 - 18 UNC |
| 13 | 137645 | Shaft Assembly, Mandrel, Vented | 115 | 72110505 | Bolt, Carriage 5/16-18 x 5/8 |
| 14 | 128774 | Housing, Mandrel, Vented | 116 | 4898H | Bolt, Shoulder |
| 15 | 110485X | Bearing, Ball, Mandrel | 117 | 105455X | Wheel, Gauge |
| 16 | 174493 | Stripper, Vented Mower Deck | 118 | 73930600 | Nut Centerlock 3/8-16 |
| 18 | 72140505 | Bolt, Carriage 5/16-18 x 5/8 | 119 | 19121414 | Washer 3/8 x 7/8 x 14 Ga. |
| 19 | 132827 | Bolt, Shoulder | 120 | 19171512 | Washer 17/32 x 15/16 x 12 Ga. |
| 20 | 159770 | Baffle, Vortex | 142 | 165890 | Arm Spring Brake Mower |
| 21 | 73680500 | Nut | 143 | 157109 | Bracket Arm Idler 42" |
| 23 | 177563 | Bracket, Deflector Mower 42" | 144 | 158634 | Keeper Belt 42" Clutch Cable |
| 24 | 105304X | Cap, Sleeve 80 x 112 Blk Mower | 145 | 165888 | Pulley Idler Flat |
| 25 | 123713X | Spring, Torsion, Deflector 2 52 | 146 | 171977 | Bolt Carriage Idler |
| 26 | 110452X | Nut, Push Phos & Oil | 147 | 179748 | Spring Extension |
| 27 | 130968X428 | Shield, Deflector 42" Blk | 148 | 169022 | Spring Return Idler |
| 28 | 19111016 | Washer 11/32 x 5/8 x 16 Gauge | 149 | 165898 | Retainer Spring Yellow |
| 29 | 131491 | Rod, Hinge 42" 6 75 W/G | 150 | 19091216 | Washer 9/32 x 3/4 x 16 Ga. |
| 30 | 173984 | Screw Thdrol Washer Head | 151 | 169670 | Bracket Clutch Cable |
| 31 | 129963 | Washer, Spacer Mower Vented | 152 | 169676 | Clutch Cable 42" |
| 32 | 153535 | Pulley, Mandrel | 153 | 169674 | Washer Flat 3/8" Type B |
| 33 | 178342 | Nut, Toplock Flange | 154 | 169675 | Spring Retainer |
| 34 | 72110614 | Bolt | 155 | 169671 | Spring Retention LVR CLTCH CAB |
| 36 | 131494 | Pulley, Idler, Flat | 156 | 169672 | Spacer Clutch Cable |
| 37 | 19131316 | Washer 13/32 x 13/16 x 16 Gauge | 157 | 169669 | Rod Clutch Cable 3/8" |
| 40 | 73680600 | Nut | 158 | 17720408 | Screw Hex Thd Cut 1/4-20 x 1/2 |
| 44 | 140088 | Guard, Mandrel, LH | 159 | 72140614 | Bolt Rdhd Sqn 3/8-16 UNC x 1-3/4 |
| 45 | 4497H | Retainer | -- | 130794 | Mandrel Assembly (Includes Housing, Shaft and Shaft Hardware Only-Pulley Not Included) |
| 46 | 137729 | Screw, Thdrol 1/4-20 x 5/8 T | -- | 171491 | Replacement Mower, Complete |
| 48 | 133944 | Washer, Hardened | | | |
| 49 | 174284 | Roller Assembly, Cam Follower | | | |
| 50 | 131340 | Bolt, Shoulder #10-24 Grade 5 | | | |
| 51 | 69180 | Locknut | | | |
| 52 | 139888 | Bolt, Shoulder 5/16-18 UNC | | | |
| 53 | 131845 | Arm Assembly, Pad, Brake | | | |

NOTE: All component dimensions given in U.S. inches
1 inch = 25.4 mm