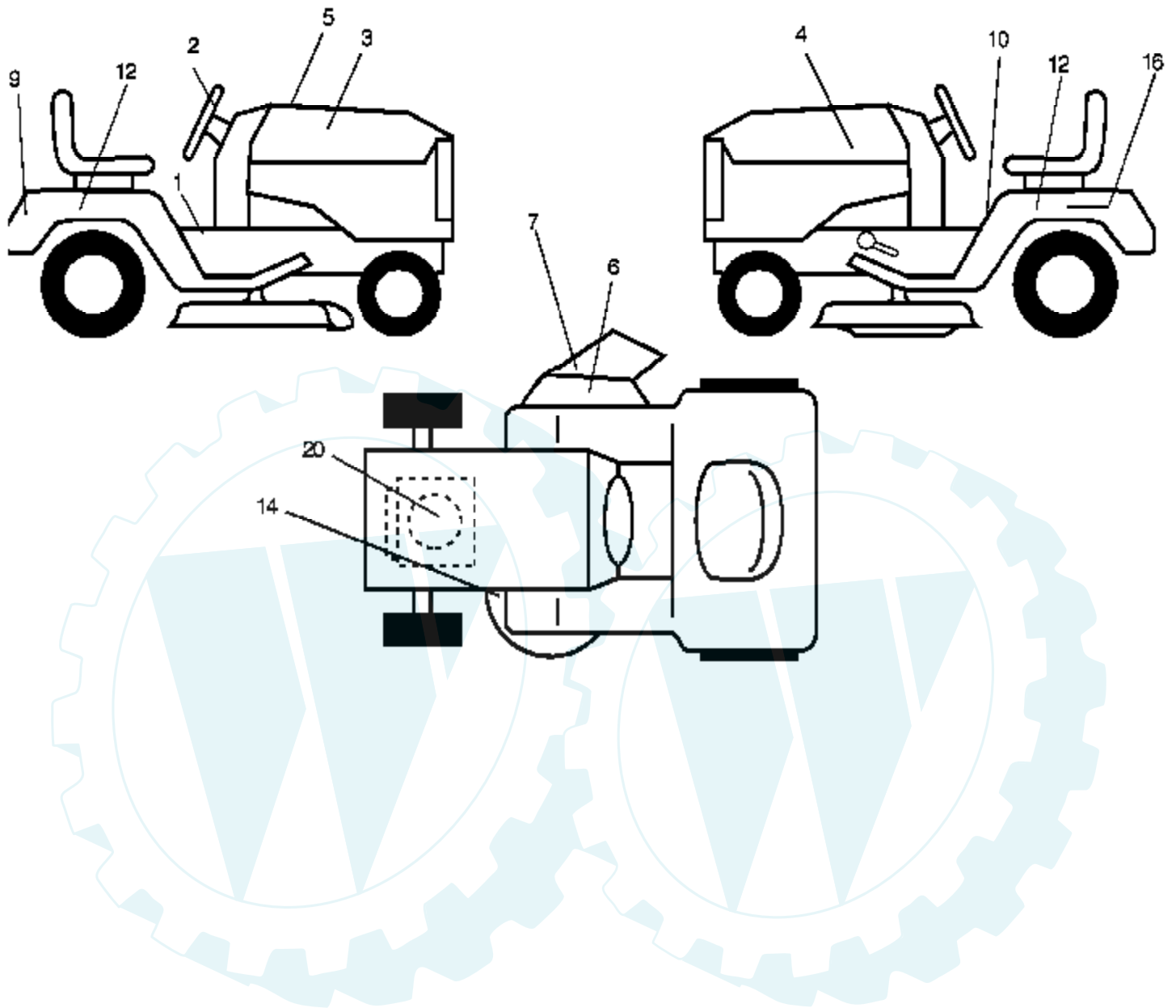
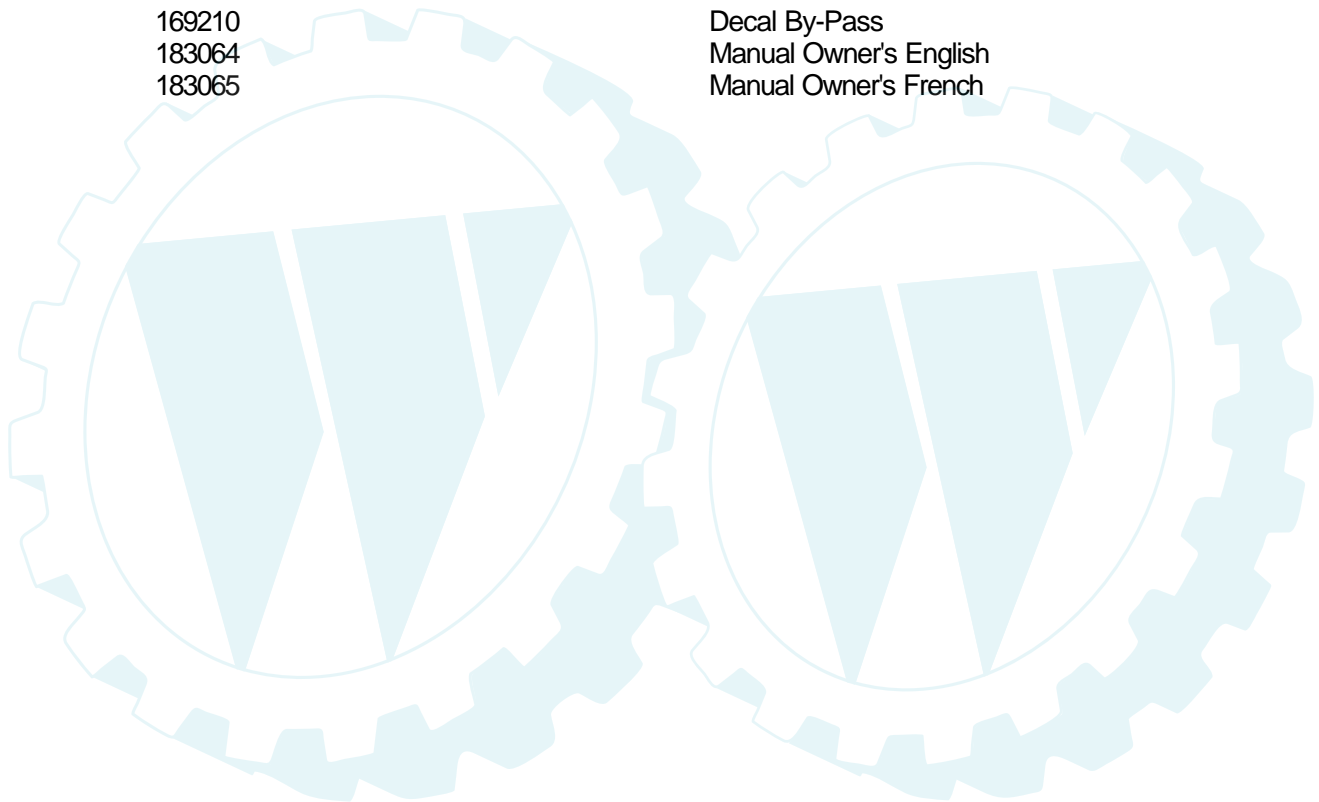
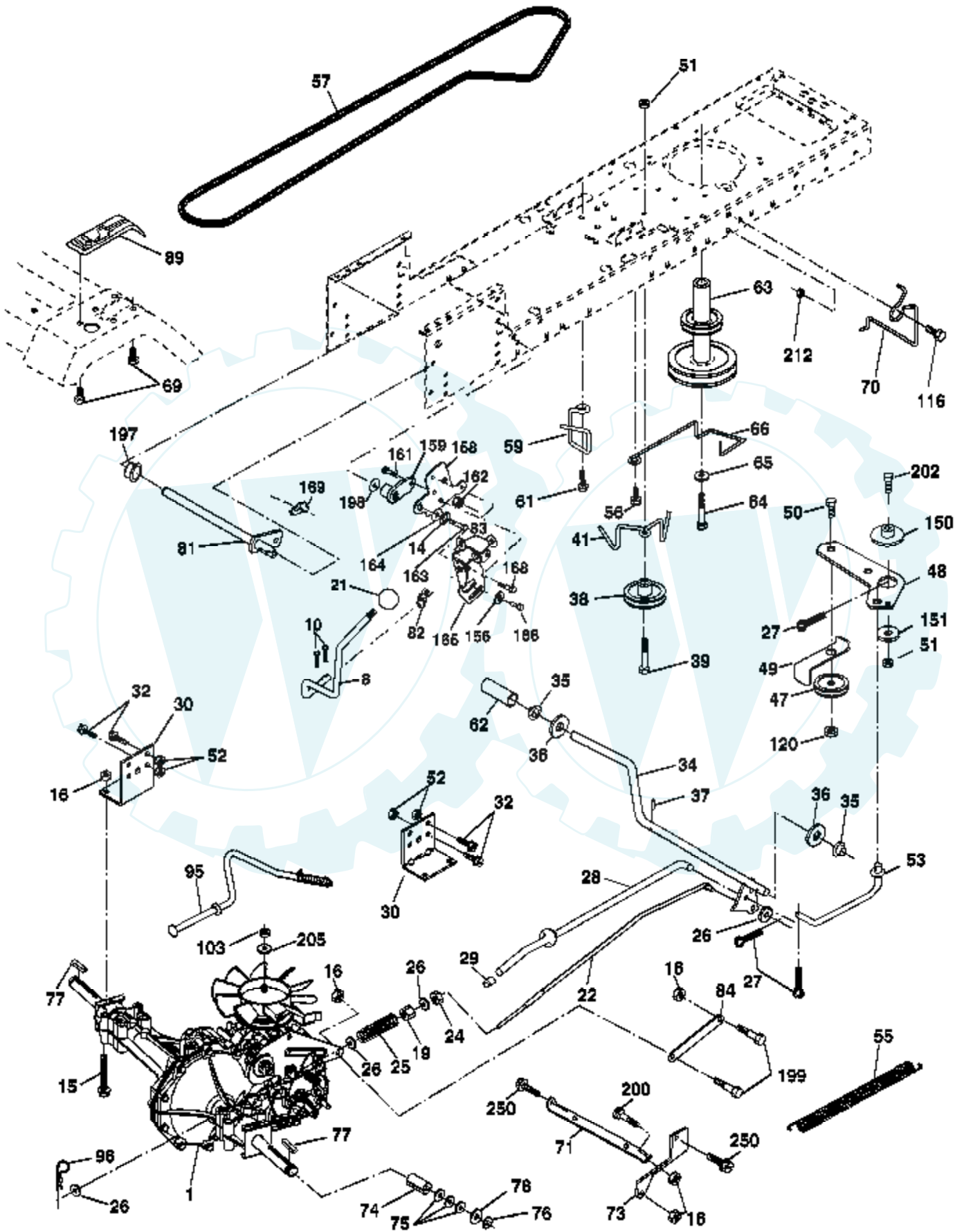


Ref #	Part Number	Qty	Description
1	174619		Chassis
2	176554		Drawbar
3	17060612		Screw 3/8-16 x 3/4
5	155272		Bumper Hood/Dash
9	168336X010		Dash
10	72140608		Bolt Rd Hd Sqnk. 3/8-16 Unc x 1
11	174996		Panel Asm. Dash Lh
12	145660		Clip Tinnerman Grile P/L
13	172105X010		Panel Dash Rh
14	17490608		Screw Thdrol 3/8-16 x 1/2
17	159639X428		Hood
18	126938X		Bumper Hood
24	74780616		Bolt Fin Hex 3/8-16 Unc x 1 Gr. 5
25	19131312		Washer 13/32 x 13/16 x 12 Ga.
26	73800600		Nut Lock Hex w/Insert 3/8-16 UNC
28	179101		Grill/Lens Asm
29	140273X599		Lens Grille Private label
30	169468X428		Fender Asm
31	136619		Bracket Fender
33	179716X428		Footrest LH
34	179717X428		Footrest RH
35	72110606		Bolt Rd Hd Sht. Sqnk. 3/8-16 x 3/4
37	17490508		Screw Thdrol 5/16-18 x 1/2 Tyt
38	175710		Bracket Asm. Pivot Mower Rear
51	73800400		Nut Lock Hex W/Ins. 1/4-20
52	19091416		Washer 9/32 x 7/8 x 16 Ga.
53	144697		Bracket Grille LH
54	161464		Screw Hex Wshd 8-18 x 7/8
55	144696		Bracket, Grille RH
57	74780412		Bolt Fin Hex 1/4-20 x .75
58	150127		Air Duct Private Label
64	154798		Dash Lower
142	175702		Plate Reinforcement
145	156524		Rod Pivot Chassis/Hood
206	170165		Bolt shoulder 5/16-18
207	17670508		Screw Thdrol 5/16-18 x 1/2
208	17670608		Screw Thdrol 3/8-16 x 1/2
212	156229		Insert Lens Reflector
	5479J		Plug Btn Blk



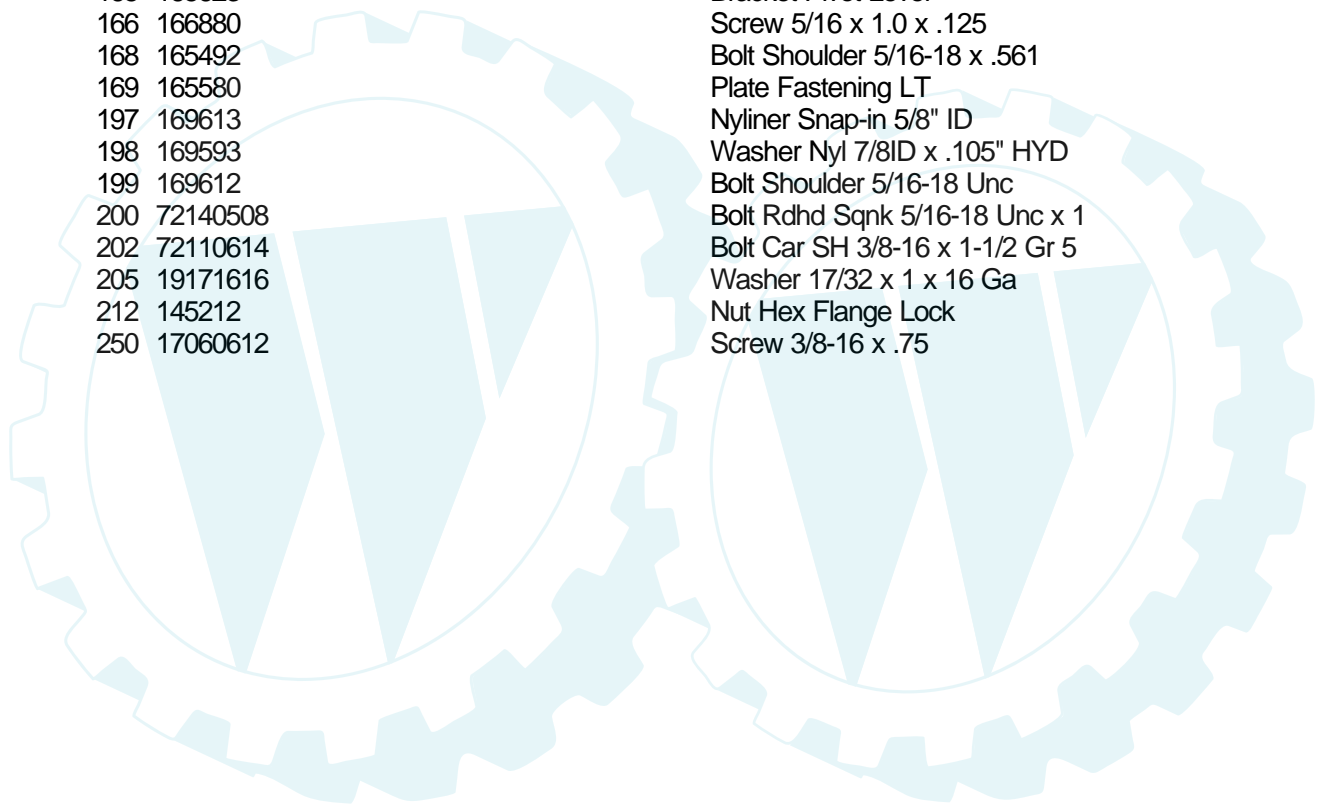
Ref #	Part Number	Qty	Description
1	157032		Decal Instruction Operat English/French
2	158168		Decal Ins Strg Wh
3	175782		Decal Hood Rh
4	175783		Decal Hood Lh
5	180890		Decal Final Replacement
6	170563		Decal, Warning
7	179128		Decal Deck "B" 42"
9	158166		Decal Fender Logo
10	157140		Decal Danger English
12	175784		Decal Fender
14	160396		Decal V-belt Schematic 42"
16	145005		Decal Battery Danger/Poison
20	170945		Decal HP Engine
	138311		Decal Lift Handle
	169210		Decal By-Pass
	183064		Manual Owner's English
	183065		Manual Owner's French

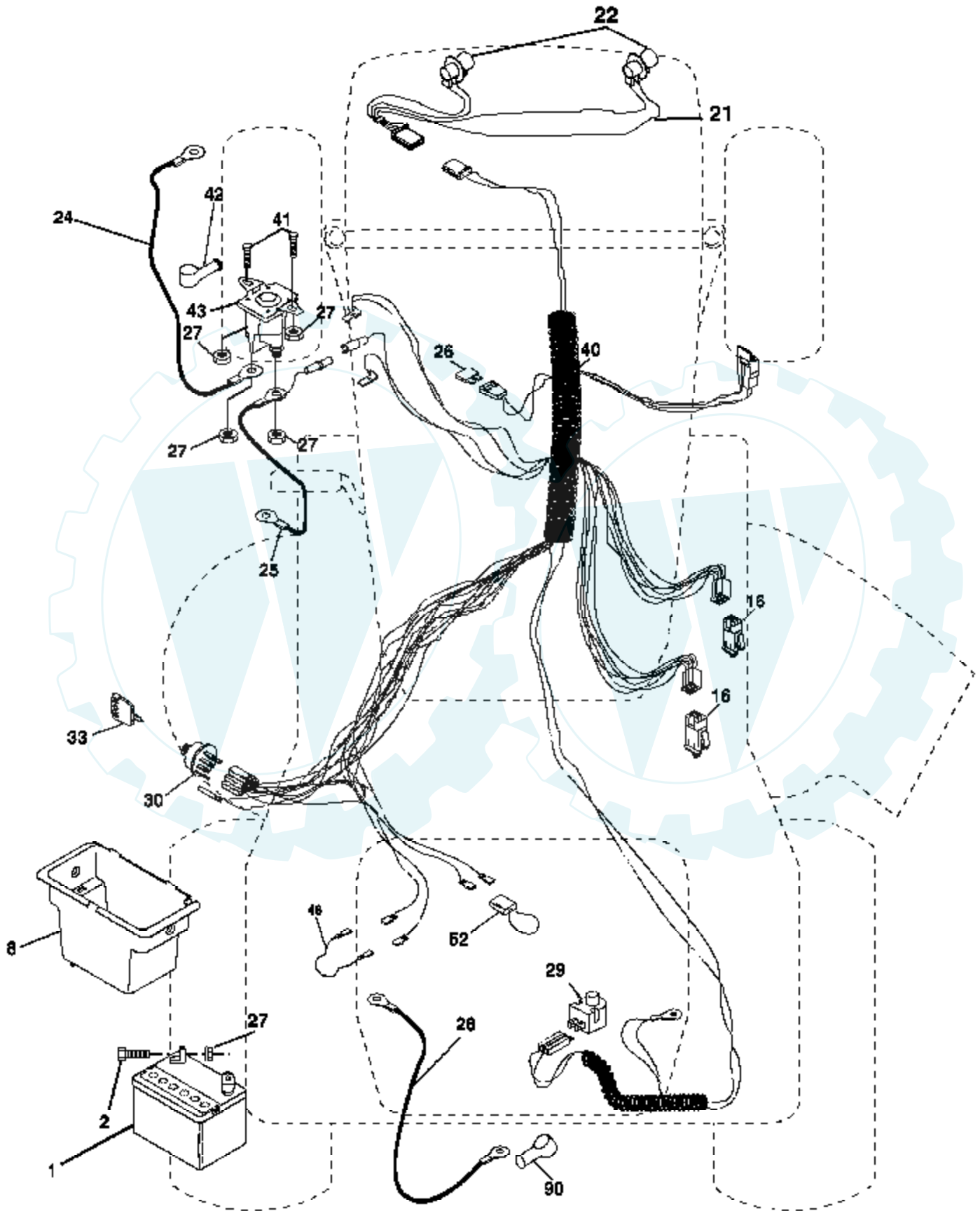




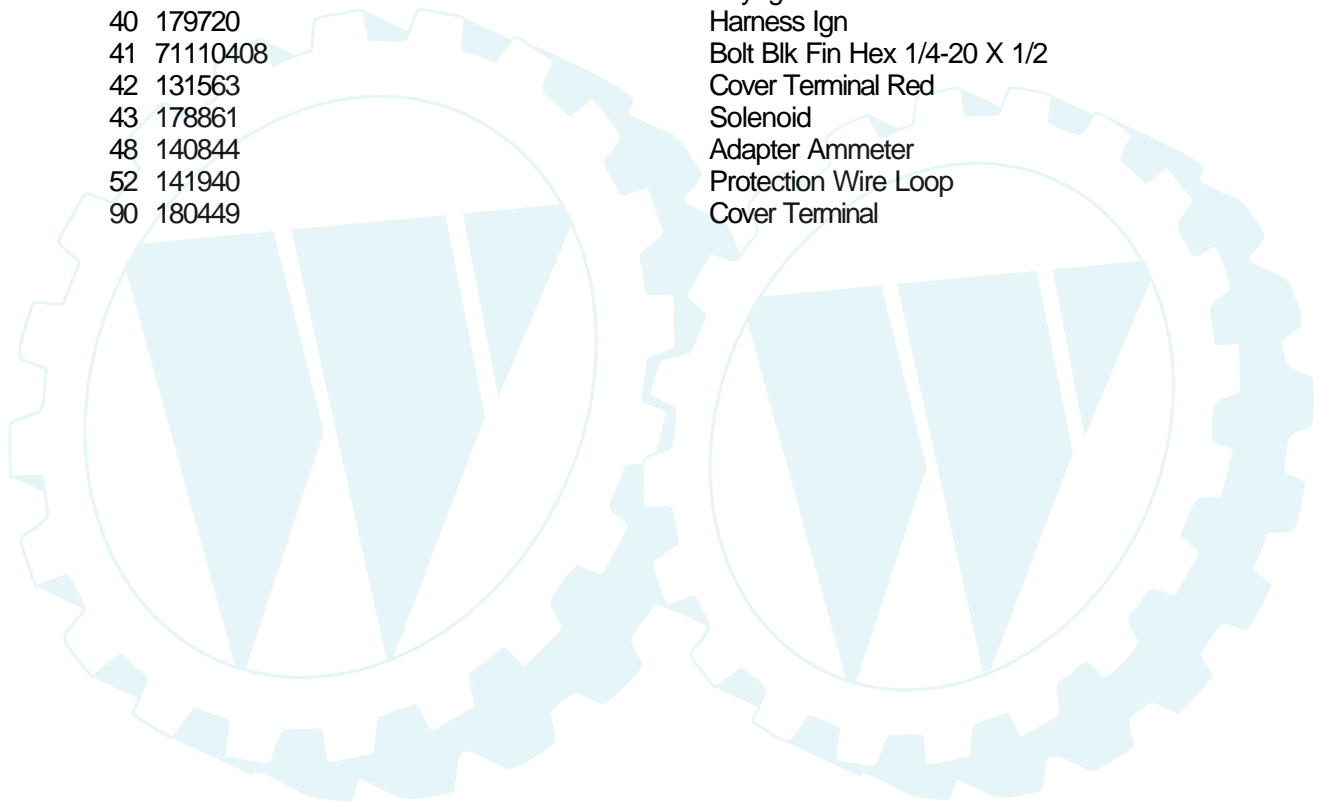
Ref #	Part Number	Qty	Description
	1		Transaxle Hydro Gear Model 322-0510 (Order parts from the transaxle manufacturer)
8	165619		Rod, Shift
10	76020416		Pin, Cotter 1/8 x 1
14	10040400		Washer Lock 1/4
15	74490544		Bolt Hex Flghd 5/16-18 Gr. 5
16	73800500		Nut, Lock Hex w/Ins 5/16-18 UNC
19	73800600		Nut, Lock Hex w/Wsh 3/8-16 UNC
21	106933X		Knob Rd. 1/2-13 Plstc. Thds. Blk.
22	169498		Rod, Brake
24	73350600		Nut
25	106888X		Spring, Rod, Brake
26	19131316		Washer 13/32 x 13/16 x 16 Ga.
27	76020412		Pin, Cotter 1/8 x 3/4
28	175765		Rod, Parking Brake
29	71673		Cap, Parking Brake
30	174973		Bracket, Transmission
32	74760512		Bolt Hex 5/16-18 UNC x 3/4
34	175578		Shaft, Foot Pedal
35	120183X		Bearing, Nylon
36	19211616		Washer
37	1572H		Pin, Roll
38	179114		Pulley, Idler, Composite
39	74760648		Bolt
41	175556		Keeper, Belt, Idler
47	127783		Pulley, Idler, V-Belt
48	154407		Bellcrank Clutch Grnd Drustl
49	123205X		Retainer, Belt
50	74760624		Bolt
51	73680600		Nut
52	73680500		Nut Crownlock 5/16-28
53	105710X		Link, Clutch
55	105709X		Spring, Return, Clutch
56	17060620		Screw 3/8-16 x 1-1/4
57	140294		V-Belt, Drive
59	169691		Keeper, Belt, Center
61	17120614		Screw, 3/8-16 x .875
62	8883R		Cover, Pedal
63	175410		Pulley, Engine
64	71170764		Bolt Hex 7/16 x 4 Gr. 5
65	10040700		Washer
66	154778		Keeper, Belt Engine Hydro
69	142432		Screw Hex Wsh Hi-Lo 1/4-1/2 Unc
70	134683		Guide, Belt, Mower Drive RH
71	169183		Strap, Torque, Lh
73	169182		Strap, Torque, Rh
74	137057		Spacer, Axle
75	121749X		Washer 25/32 x 1-1/4 x 16 Ga.
76	12000001		Ring, E
77	123583X		Key, Square
78	121748X		Washer 25/32 x 1-5/8 x 16 Ga.
81	165596		Shaft Asm Cross
82	123782X		Spring, Torsion
83	19171216		Washer 17/32 x 3/4 x 16 Ga.
84	169843		Link Transaxle
89	169373X428		Console, Shift
95	170201		Control Asm Bypass Hydro

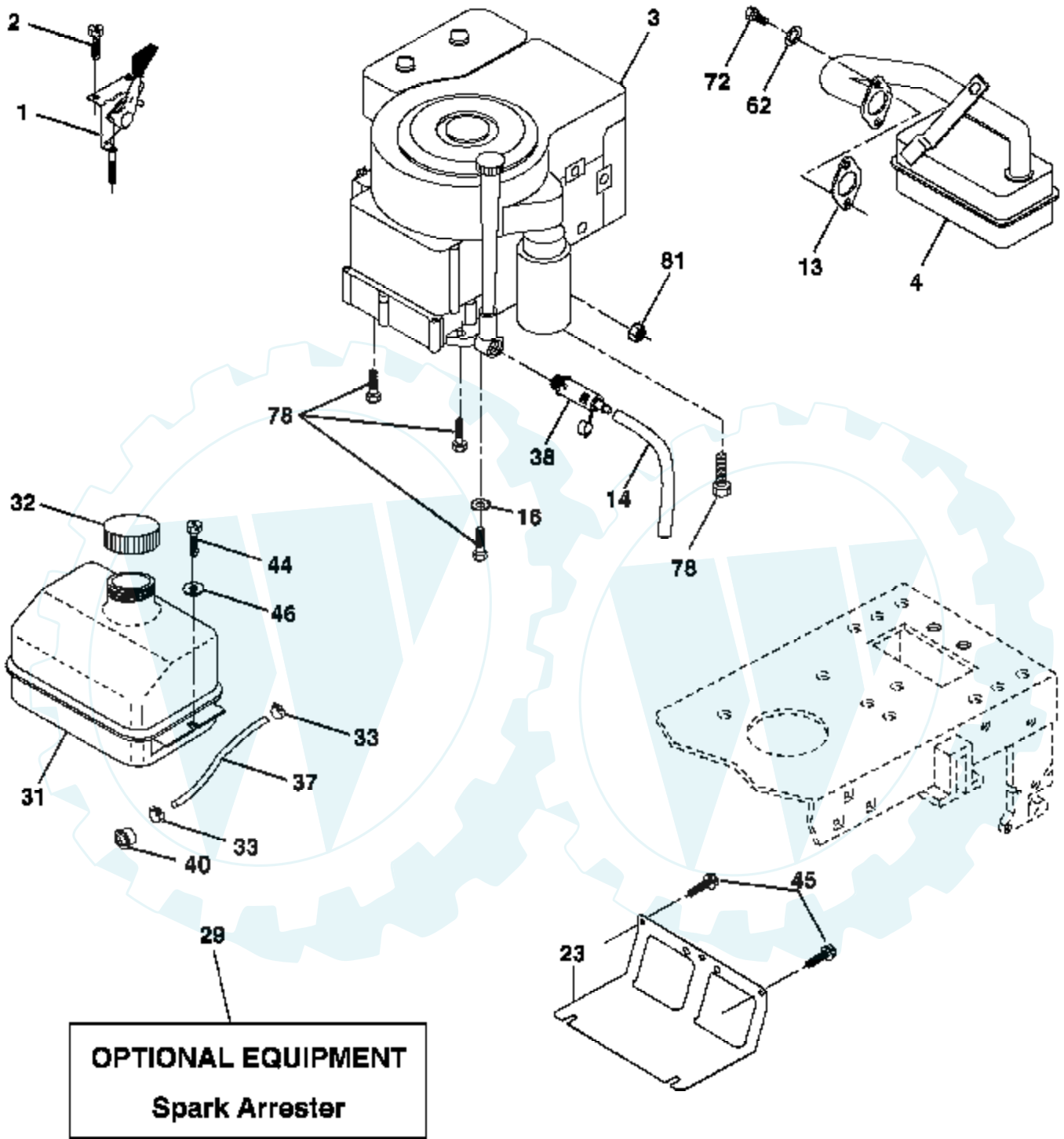
Ref #	Part Number	Qty	Description
96	4497H		Spring, Retainer 1"
103	73940800		Nut, Hex Jam Toplock 1/2-20 UNF
116	72140608		Bolt 3/8-16 x 1
120	73900600		Bolt Hex 3/8-16 x 1-1/2
150	175456		Spacer Retainer
151	19133210		Washer 13/32 x 2 x 10
156	166002		Washer 5/16 x 1.0 x 1.25
158	165589		Bracket Shift Mount
159	165494		Hub Tapered Flange Shift
161	72140406		Bolt Rdhd Sqnk 1/4-20 x 3/4 Gr. 5
162	73680400		Nut Crownlock 1/4-20 Unc
163	74780416		Bolt Hex Fin 1/4-20 x 1
164	19091010		Washer 5/8 x .281 x 10 Ga.
165	165623		Bracket Pivot Lever
166	166880		Screw 5/16 x 1.0 x .125
168	165492		Bolt Shoulder 5/16-18 x .561
169	165580		Plate Fastening LT
197	169613		Nyliner Snap-in 5/8" ID
198	169593		Washer Nyl 7/8ID x .105" HYD
199	169612		Bolt Shoulder 5/16-18 Unc
200	72140508		Bolt Rdhd Sqnk 5/16-18 Unc x 1
202	72110614		Bolt Car SH 3/8-16 x 1-1/2 Gr 5
205	19171616		Washer 17/32 x 1 x 16 Ga
212	145212		Nut Hex Flange Lock
250	17060612		Screw 3/8-16 x .75



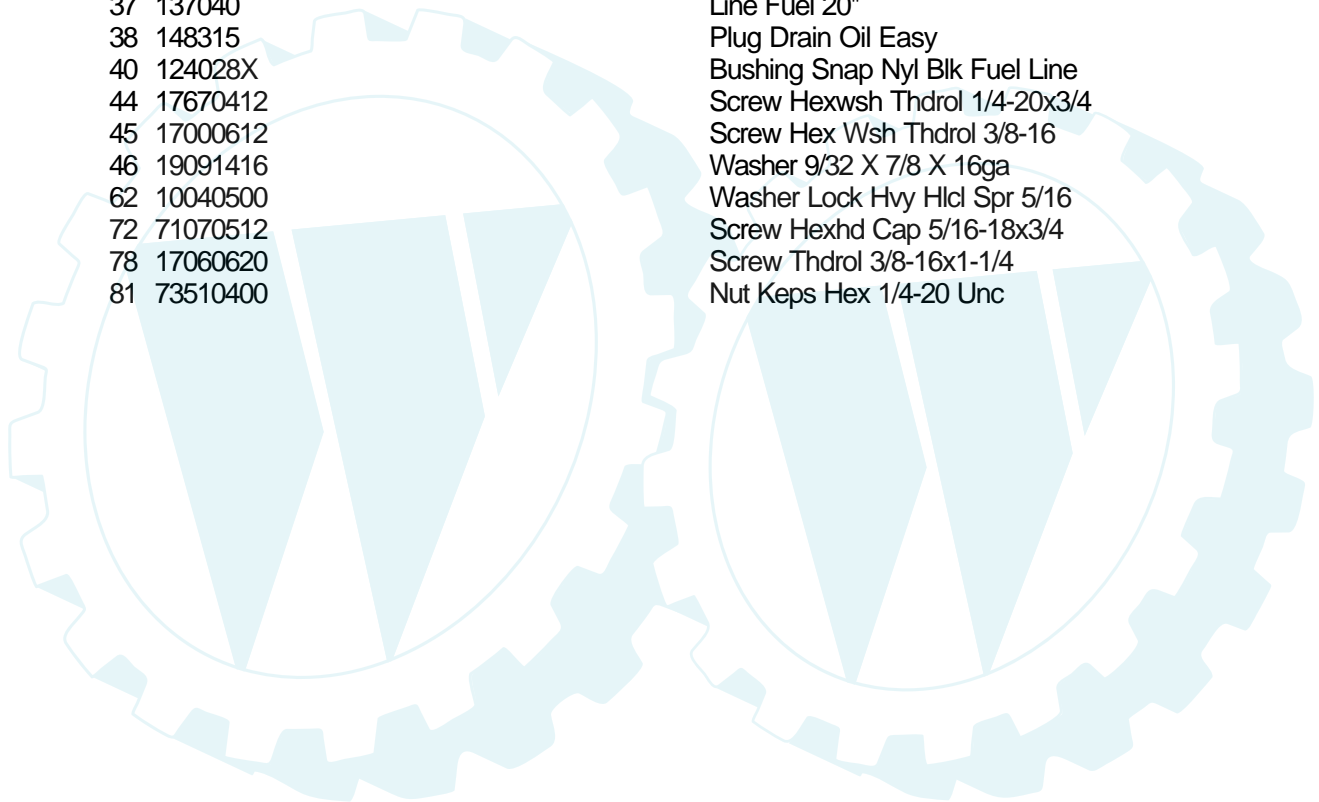


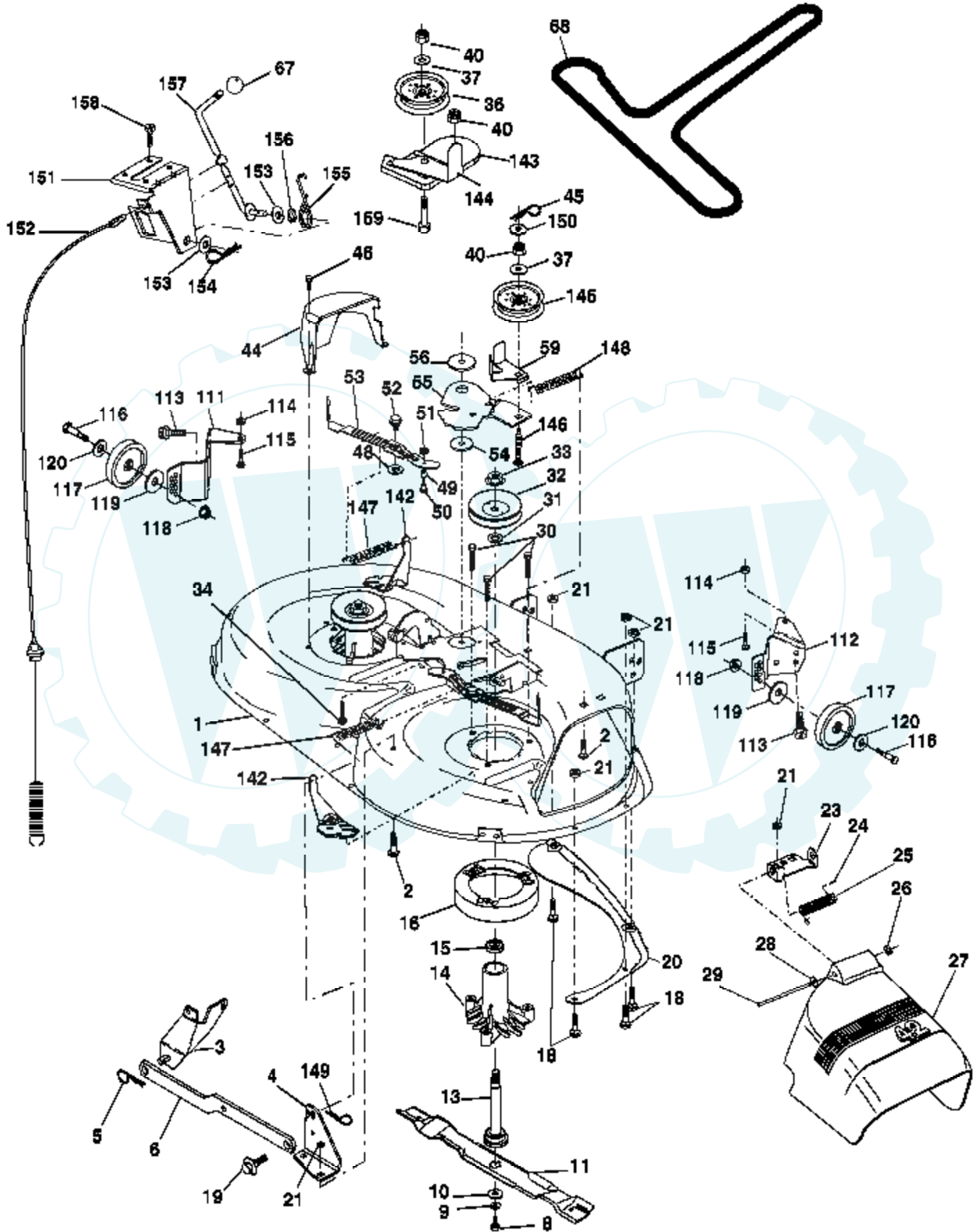
Ref #	Part Number	Qty	Description
1	163465		Battery 12 Volt 25 Amp
2	74760412		Bolt Hex Hd 1/4-20unc X 3/4
8	176689		Box Battery
16	176138		Switch Interlock Push -In
21	175685		Harness Asm Light W/4152J
22	4152J		Bulb Light #1156
24	4799J		Cable Battery 6 Ga 11" red
25	146147		Cable Battery 6 Ga w/16 wire,red
26	175158		Fuse 20 AMP
27	73510400		Nut Keps Hex 1/4-20 unc
28	4207J		Cable Ground 6 Ga 12" black
29	121305X		Switch Plunger Nc Gray
30	175566		Switch Ign
33	140401		Key Ign
40	179720		Harness Ign
41	71110408		Bolt Blk Fin Hex 1/4-20 X 1/2
42	131563		Cover Terminal Red
43	178861		Solenoid
48	140844		Adapter Ammeter
52	141940		Protection Wire Loop
90	180449		Cover Terminal





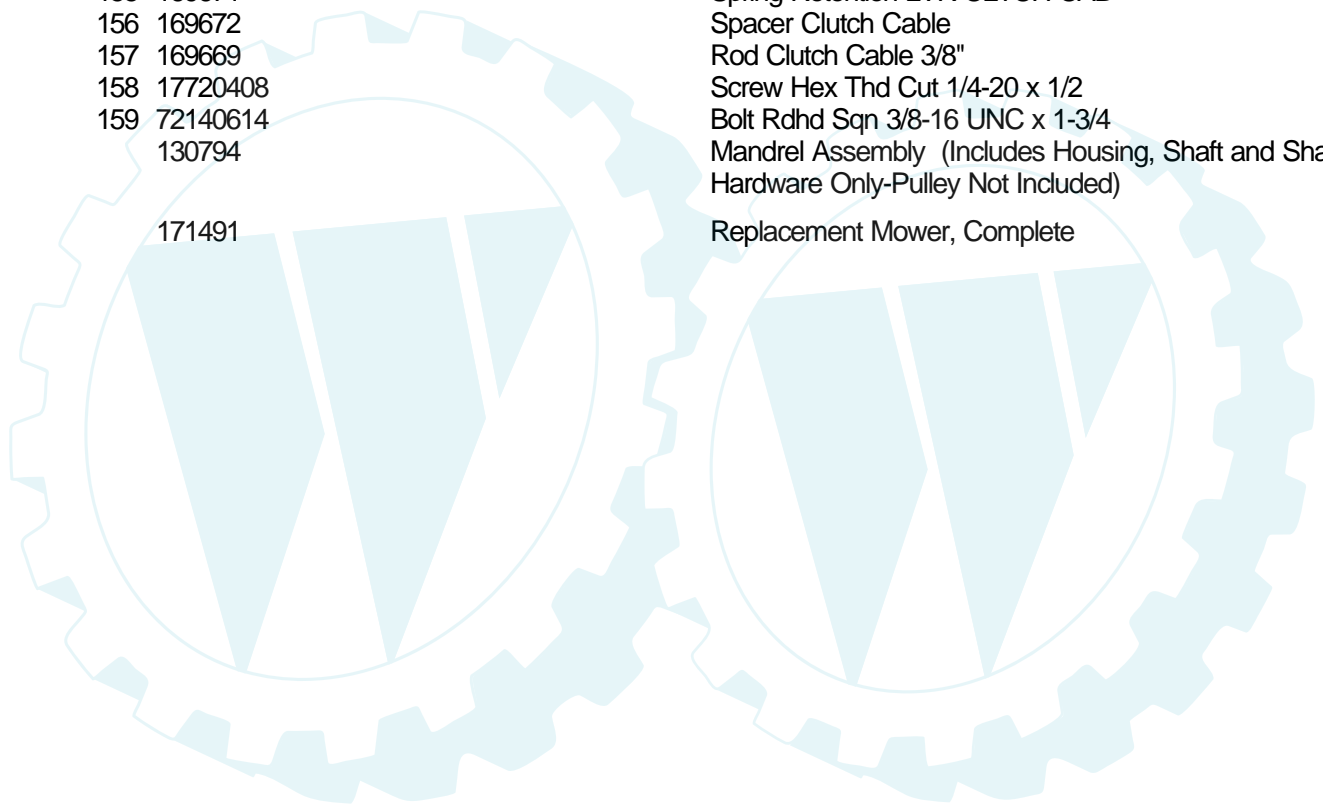
Ref #	Part Number	Qty	Description
1	170551		Control Throt /Ch Flag
2	17720408		Screw Hex Thd Cut 1/4-20x1/2
3			Engine Briggs Model 310707 (Order Parts From Engine Manufacturer)
4	137352		Muffler Exhaust B&S Lt
13	165291		Gasket 1 313 Id Tin Plated
14	148456		Tube Drain Oil Easy
16	11050600		Washer Lock Ext Tooth 3/8
23	169837		Shield Browning/Debris Guard
29	137180		Arrestor Spark
31	109202X		Tank Fuel 1 25 Fr
32	140527		Cap Asm Fuel W/sym Vented
33	123487X		Clamp Hose Blk
37	137040		Line Fuel 20"
38	148315		Plug Drain Oil Easy
40	124028X		Bushing Snap Nyl Blk Fuel Line
44	17670412		Screw Hexwsh Thdrol 1/4-20x3/4
45	17000612		Screw Hex Wsh Thdrol 3/8-16
46	19091416		Washer 9/32 X 7/8 X 16ga
62	10040500		Washer Lock Hvy Hlcl Spr 5/16
72	71070512		Screw Hexhd Cap 5/16-18x3/4
78	17060620		Screw Thdrol 3/8-16x1-1/4
81	73510400		Nut Keps Hex 1/4-20 Unc

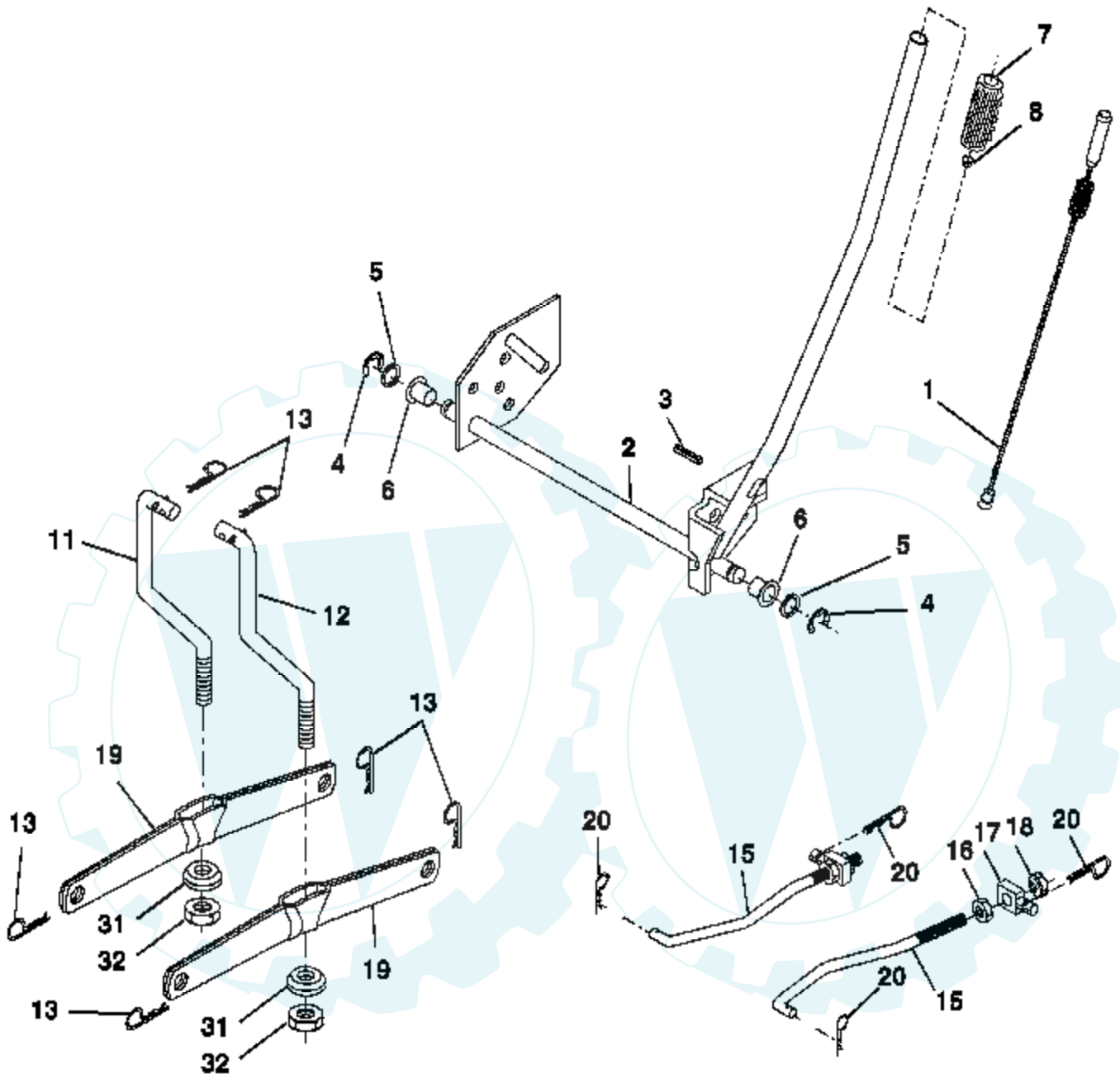




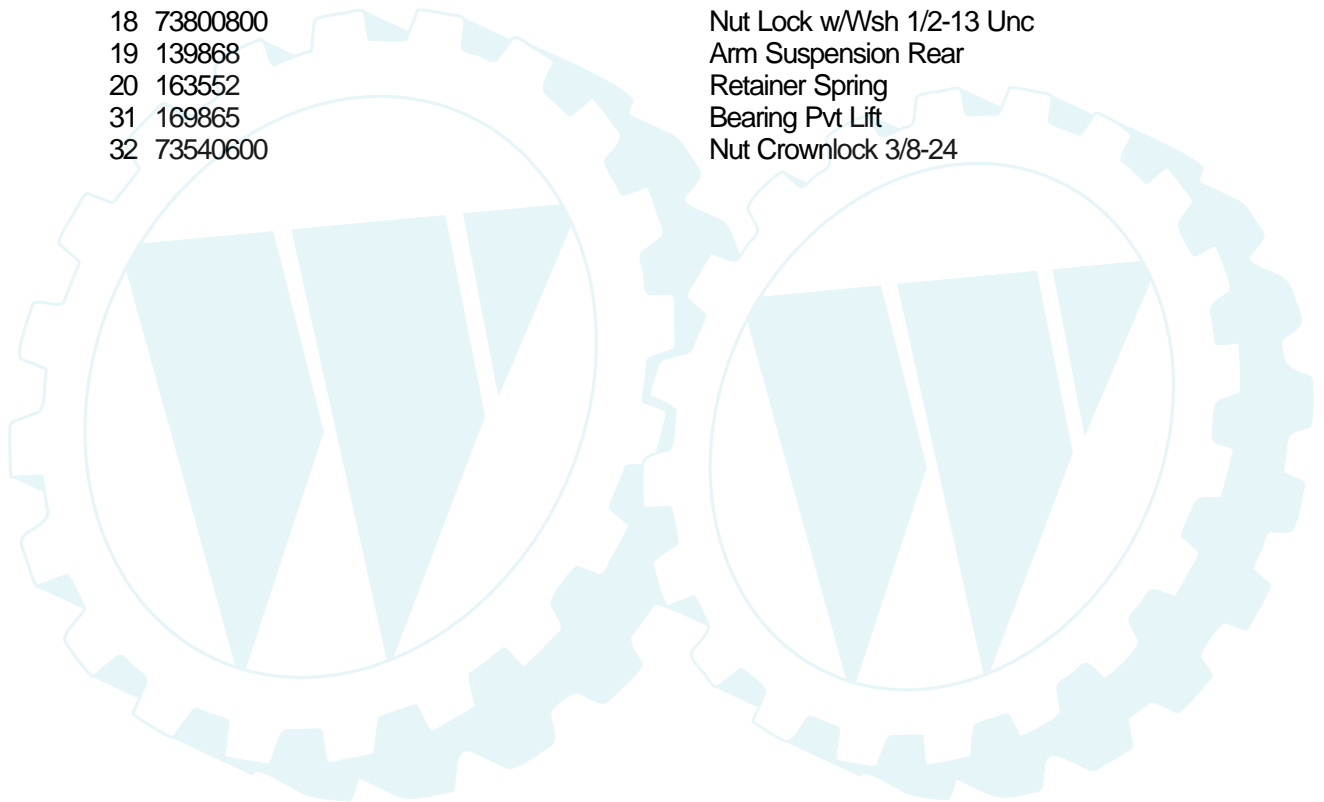
Ref #	Part Number	Qty	Description
1	165892		Mower Deck Assembly, 42"
2	72140506		Bolt
3	138017		Bracket Asm Fr. Sway Bar 3/42
4	165460		Bracket Asm Deck 42" Sway Bar
5	4939M		Retainer Spring
6	178024		Bar Sway Deck
8	850857		Bolt 3/8-24 x 25 Grade 8 patched
9	10030600		Washer, Lock
10	140296		Washer, Hardened
11	138498		Blade
13	137645		Shaft Assembly, Mandrel, Vented
14	128774		Housing, Mandrel, Vented
15	110485X		Bearing, Ball, Mandrel
16	174493		Stripper, Vented Mower Deck
18	72140505		Bolt, Carriage 5/16-18 x 5/8
19	132827		Bolt, Shoulder
20	159770		Baffle, Vortex
21	73680500		Nut
23	177563		Bracket, Deflector Mower 42"
24	105304X		Cap, Sleeve 80 x 112 Blk Mower
25	123713X		Spring, Torsion, Deflector 2 52
26	110452X		Nut, Push Phos & Oil
27	130968X428		Shield, Deflector 42" Blk
28	19111016		Washer 11/32 x 5/8 x 16 Gauge
29	131491		Rod, Hinge 42" 6 75 W/G
30	173984		Screw Thdrol Washer Head
31	129963		Washer, Spacer Mower Vented
32	153535		Pulley, Mandrel
33	178342		Nut, Toplock Flange
34	72110614		Bolt
36	131494		Pulley, Idler, Flat
37	19131316		Washer 13/32 x 13/16 x 16 Gauge
40	73680600		Nut
44	140088		Guard, Mandrel, LH
45	4497H		Retainer
46	137729		Screw, Thdrol 1/4-20 x 5/8 T
48	133944		Washer, Hardened
49	174284		Roller Assembly, Cam Follower
50	131340		Bolt, Shoulder #10-24 Grade 5
51	69180		Locknut
52	139888		Bolt, Shoulder 5/16-18 UNC
53	131845		Arm Assembly, Pad, Brake
54	133943		Washer, Hardened
55	155046		Arm, Idler
56	165723		Spacer, Retainer
59	141043		Guard TUV Idler
67	106932X		Knob
68	144959		V-Belt, 42" Mower
111	179292		Bracket, Gauge, Wheel LH
112	179293		Bracket, Gauge, Wheel RH
113	17060510		Screw Tapping 3/8-16 x .625
114	73510500		Nut, Keps 5/16 - 18 UNC
115	72110505		Bolt, Carriage 5/16-18 x 5/8
116	4898H		Bolt, Shoulder
117	105455X		Wheel, Gauge
118	73930600		Nut Centerlock 3/8-16
119	19121414		Washer 3/8 x 7/8 x 14 Ga.
120	19171512		Washer 17/32 x 15/16 x 12 Ga.

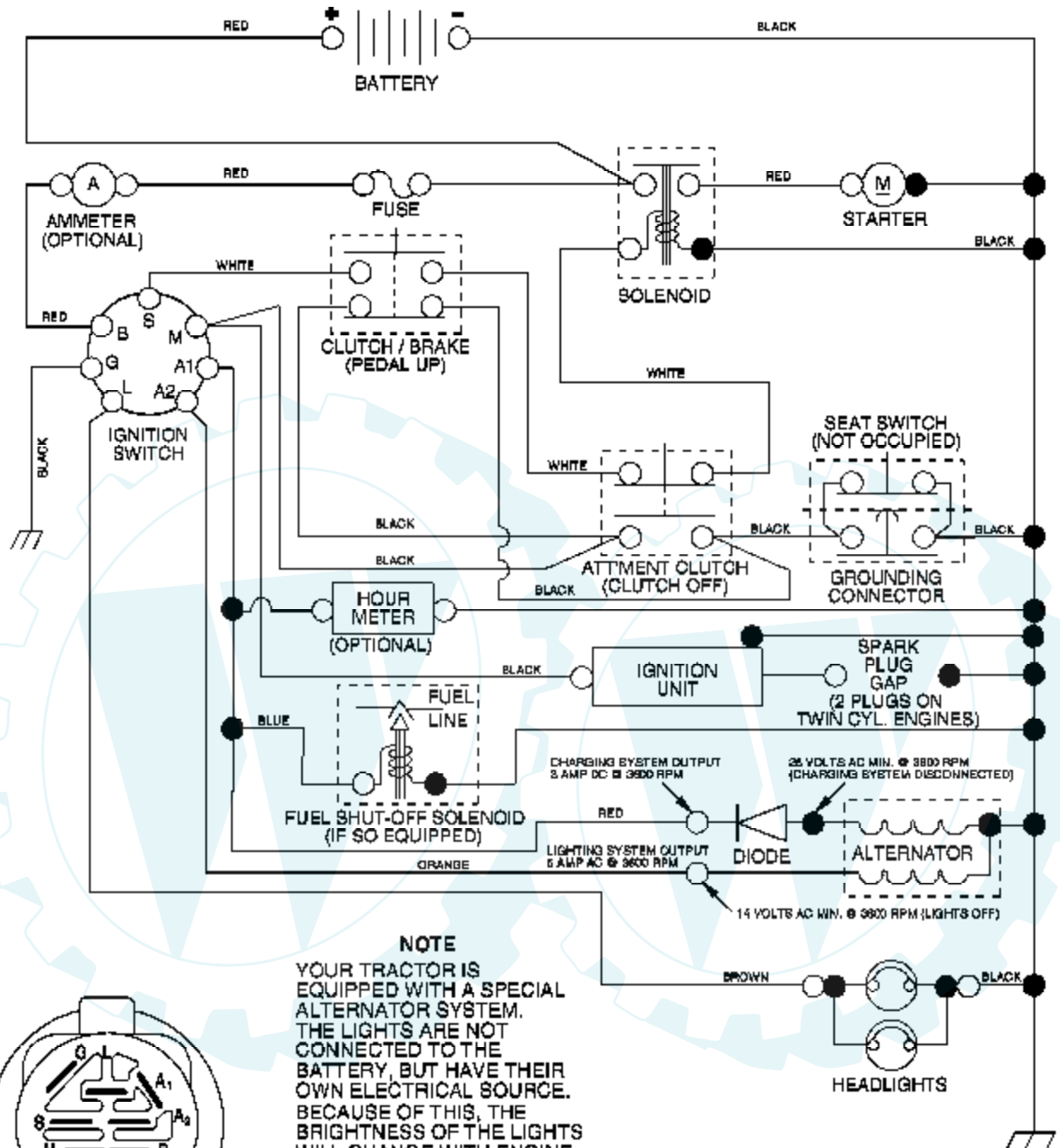
Ref #	Part Number	Qty	Description
142	165890		Arm Spring Brake Mower
143	157109		Bracket Arm Idler 42"
144	158634		Keeper Belt 42" Clutch Cable
145	165888		Pulley Idler Flat
146	171977		Bolt Carriage Idler
147	179748		Spring Extension
148	169022		Spring Return Idler
149	165898		Retainer Spring Yellow
150	19091216		Washer 9/32 x 3/4 x 16 Ga.
151	169670		Bracket Clutch Cable
152	169676		Clutch Cable 42"
153	169674		Washer Flat 3/8" Type B
154	169675		Spring Retainer
155	169671		Spring Retention LVR CLTCH CAB
156	169672		Spacer Clutch Cable
157	169669		Rod Clutch Cable 3/8"
158	17720408		Screw Hex Thd Cut 1/4-20 x 1/2
159	72140614		Bolt Rdhd Sqn 3/8-16 UNC x 1-3/4
	130794		Mandrel Assembly (Includes Housing, Shaft and Shaft Hardware Only-Pulley Not Included)
	171491		Replacement Mower, Complete





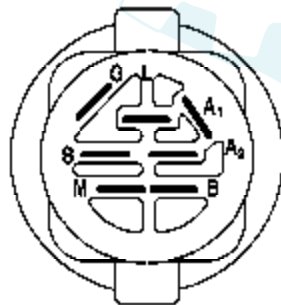
Ref #	Part Number	Qty	Description
1	159460		Wire Asm Inner/Sprg w/Plunger
2	159471		Shaft Asm Lift
3	105767X		Pin Groove
4	12000002		E Ring #5133-62
5	19211621		Washer 21/32 x 1 x 21 Ga.
6	120183X		Bearing Nylon
7	109413X		Grip Handle
8	124526X		Button Plunger
11	139865		Link Lift Lh
12	139866		Link Lift Rh
13	4939M		Retainer Spring
15	173288		Link Front
16	73350800		Nut Jam Hex 1/2-13 Unc
17	175689		Trunnion Blk Zinc
18	73800800		Nut Lock w/Wsh 1/2-13 Unc
19	139868		Arm Suspension Rear
20	163552		Retainer Spring
31	169865		Bearing Pvt Lift
32	73540600		Nut Crownlock 3/8-24





NOTE

YOUR TRACTOR IS EQUIPPED WITH A SPECIAL ALTERNATOR SYSTEM. THE LIGHTS ARE NOT CONNECTED TO THE BATTERY, BUT HAVE THEIR OWN ELECTRICAL SOURCE. BECAUSE OF THIS, THE BRIGHTNESS OF THE LIGHTS WILL CHANGE WITH ENGINE SPEED. AT IDLE THE LIGHTS WILL DIM. AS THE ENGINE IS SPEEDED UP, THE LIGHTS WILL BECOME THEIR BRIGHTEST.



IGNITION SWITCH

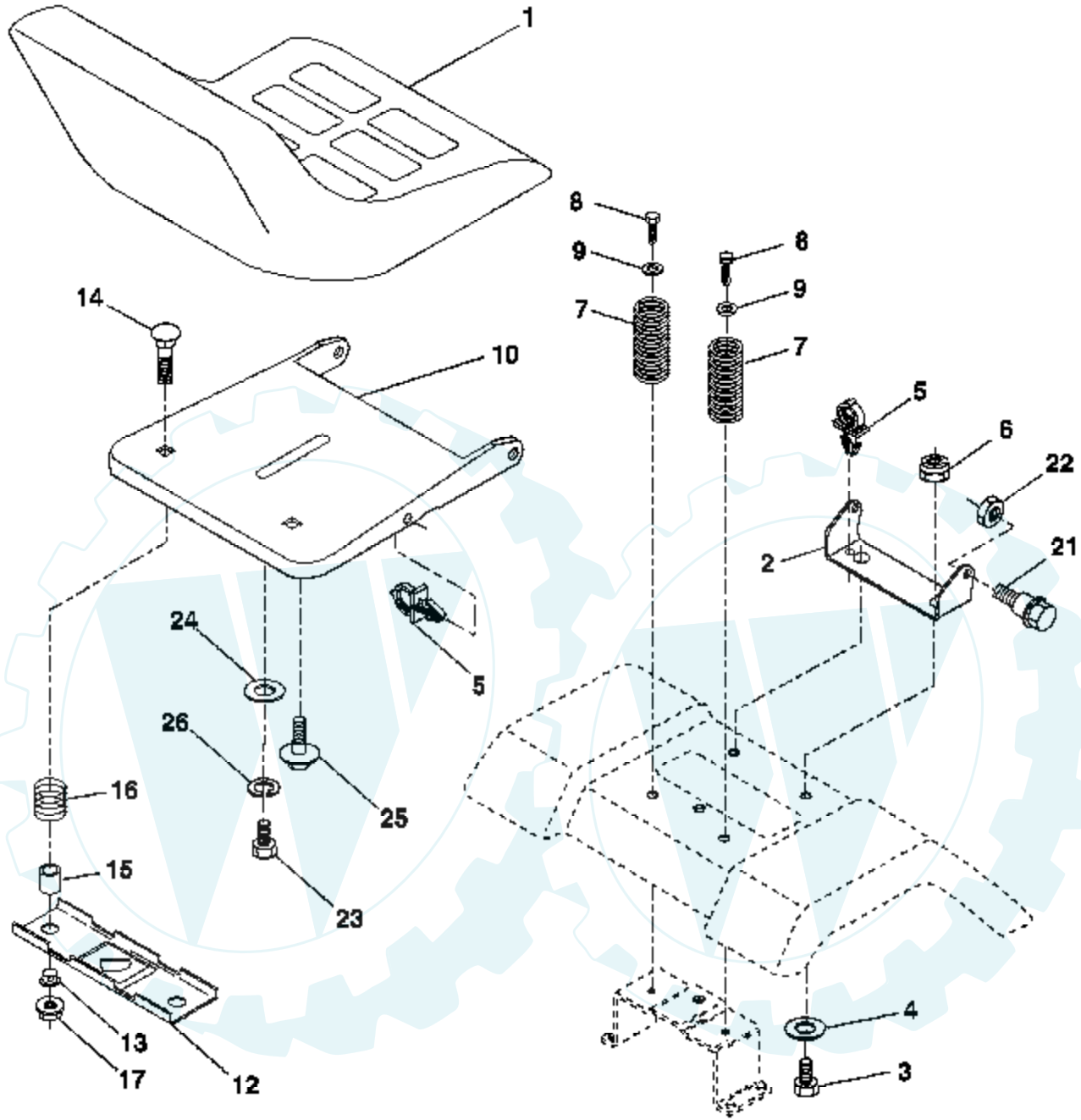
POSITION	CIRCUIT	"MAKE"
OFF	M+G+A1	NONE
RUNLIGHT	B+A1	A2+L
RUN	B+A1	NONE
START	B + S + A1	NONE

WIRING INSULATED CLIPS

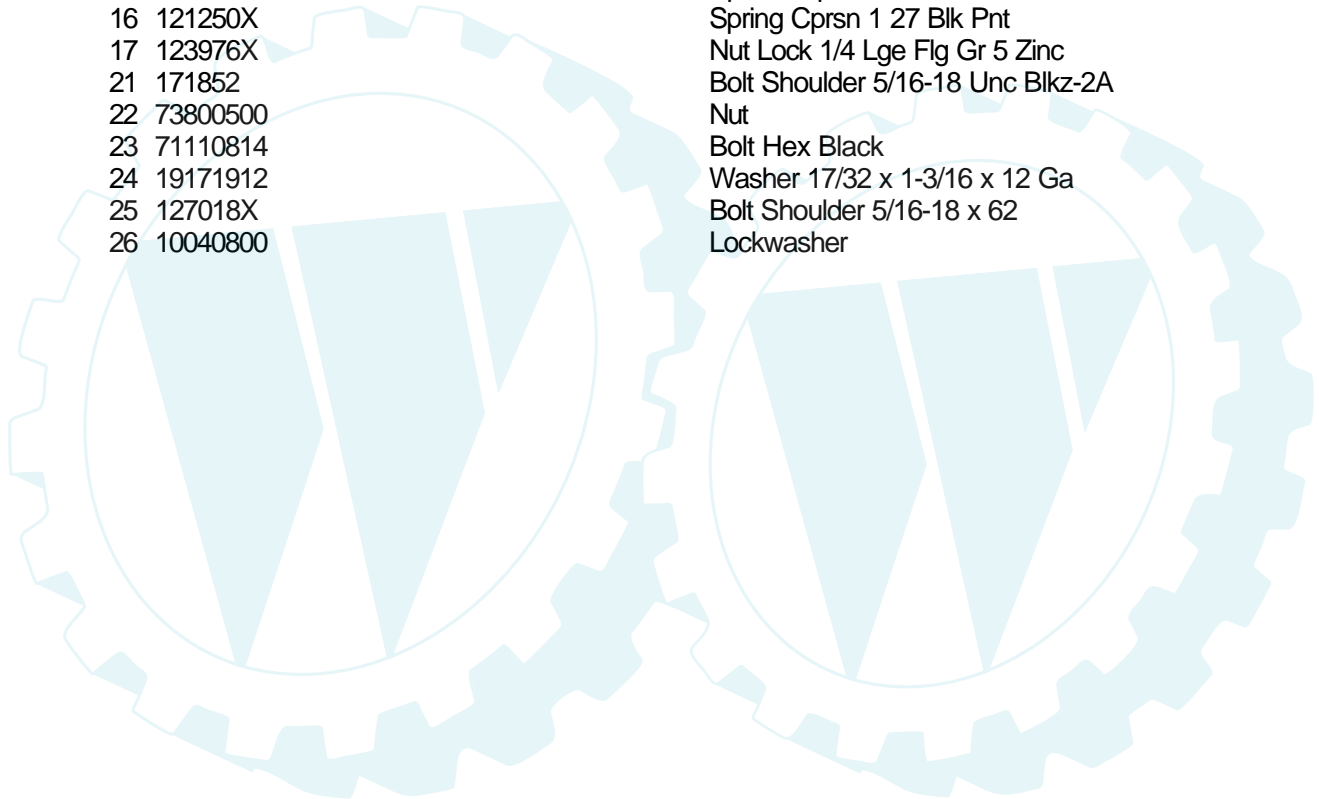
NOTE: IF WIRING INSULATED CLIPS WERE REMOVED FOR SERVICING OF UNIT, THEY SHOULD BE REPLACED TO PROPERLY SECURE YOUR WIRING.

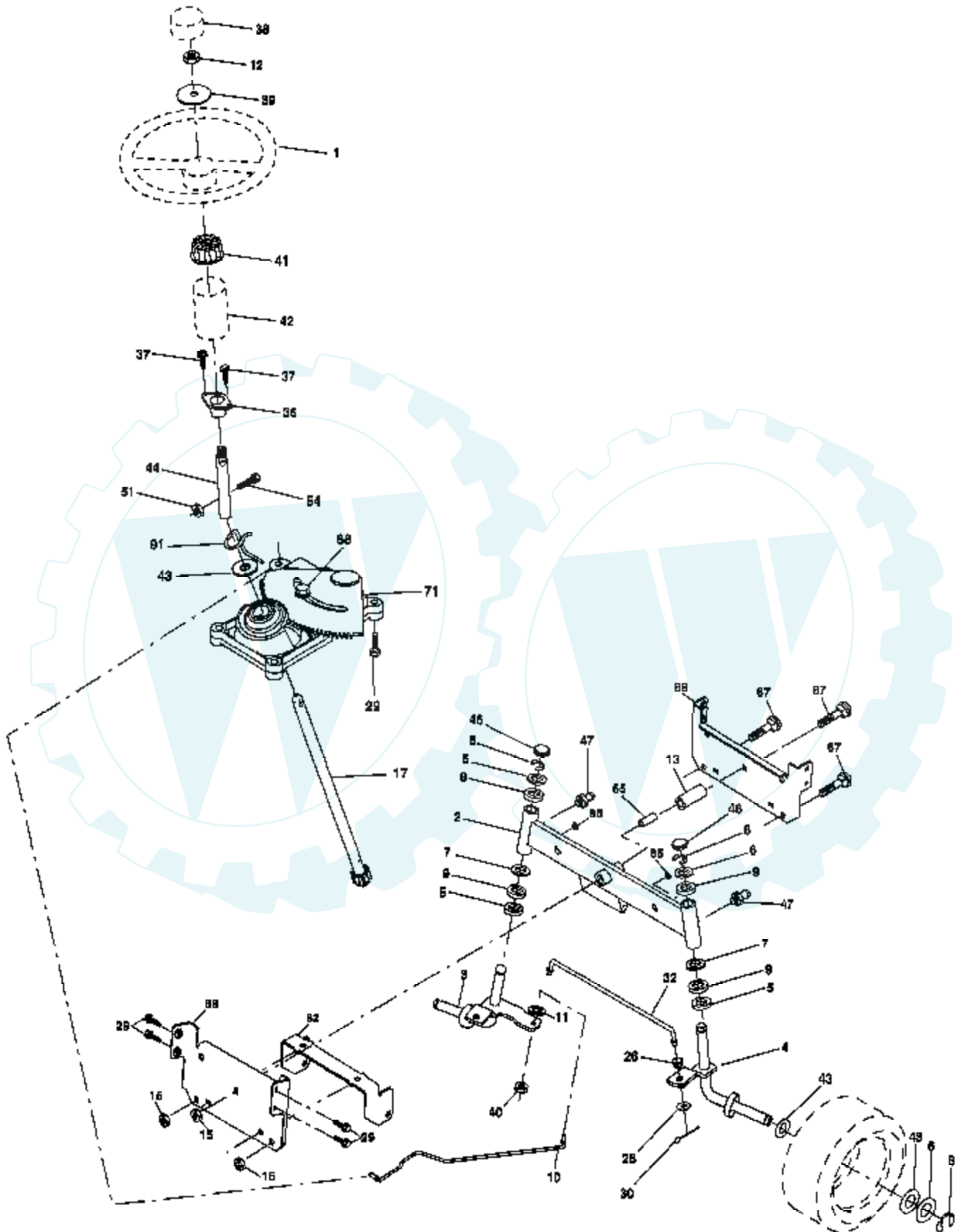
NON-REMOVABLE CONNECTIONS

REMOVABLE CONNECTIONS

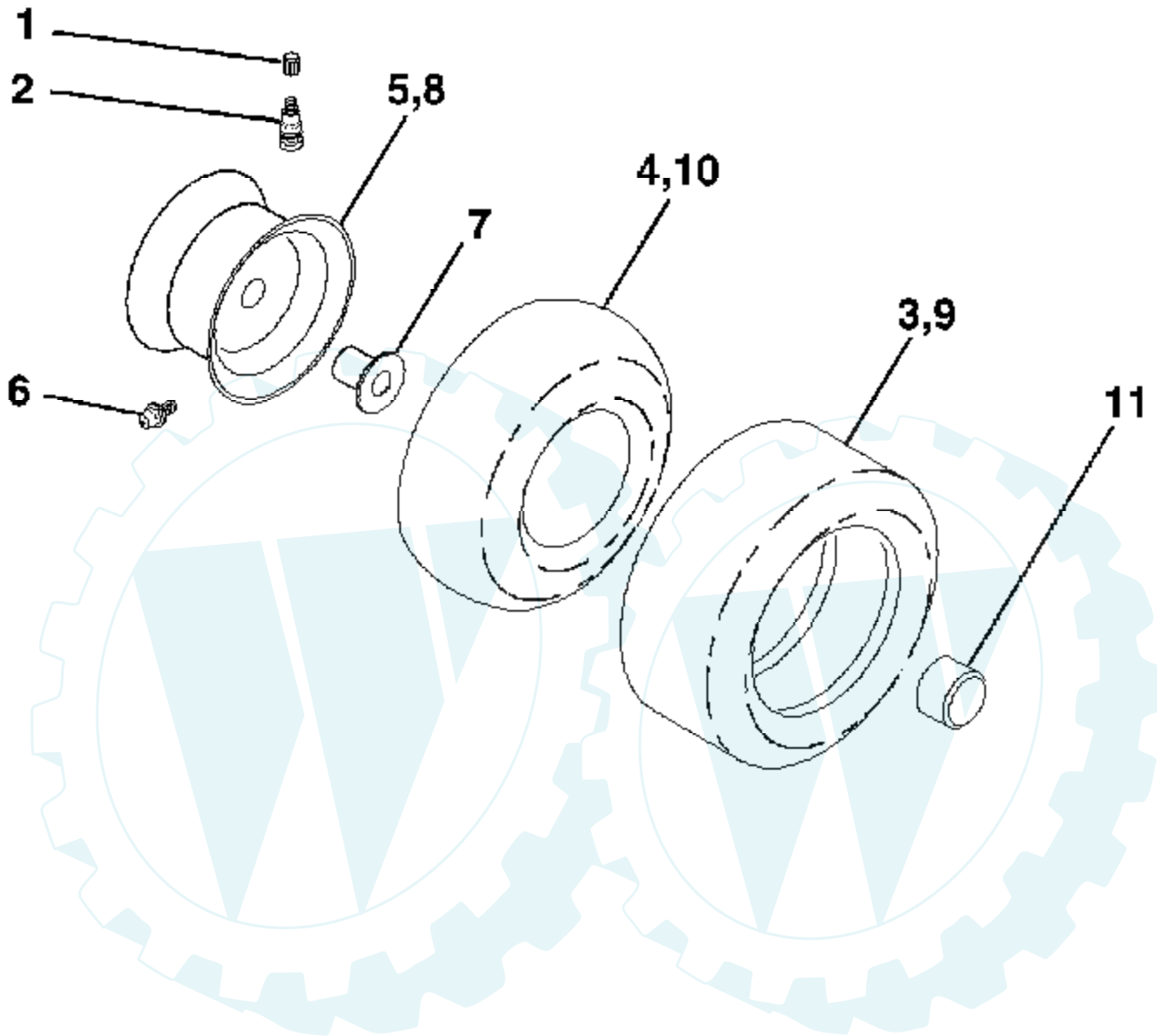


Ref #	Part Number	Qty	Description
1	140116		Seat
2	140551		Bracket Pnt Pivot Seat(blk)
3	71110616		Bolt
4	19131610		Washer 13/32 x 1 x 10 Ga
5	145006		Clip Push-In Hinged
6	73800600		Nut
7	124181X		Spring Seat Cprsn 2 250 Blk Zi
8	17000616		Screw 3/8-16 x 1.5
9	19131614		Washer 13/32 x 1 x 14 Ga
10	182493		Pan Pnt Seat (blk)
12	121246X		Bracket Pnt Mounting Switch
13	121248X		Bushing Snap Blk Nyl 50 Id
14	72050412		Bolt Rdhd Sht Nk 1/4-20 x 1-1/2
15	134300		Spacer Split 28 x 96 Yel Zinc
16	121250X		Spring Cprsn 1 27 Blk Pnt
17	123976X		Nut Lock 1/4 Lge Flg Gr 5 Zinc
21	171852		Bolt Shoulder 5/16-18 Unc Blkz-2A
22	73800500		Nut
23	71110814		Bolt Hex Black
24	19171912		Washer 17/32 x 1-3/16 x 12 Ga
25	127018X		Bolt Shoulder 5/16-18 x 62
26	10040800		Lockwasher





Ref #	Part Number	Qty	Description
1	140044X428		Wheel Steering Auto Black
2	175131		Axle Asm Front
3	169840		Spindle Asm Lh
4	169839		Spindle Asm Rh
5	6266H		Bearing Race Thrust Harden
6	121748X		Washer 25/32 X 1 5/8 X 16ga
7	19272016		Washer 27/32 X 1 1/4 X 16 Ga
8	12000029		Ring Klip #t5304-75
9	3366R		Bearing Col Strg Blk
10	175121		Link Drag Extended
11	10040600		Lockwasher
12	73940800		Nut Hex Jam Toplock 1/2-20 Unf
13	136518		Spacer Bearing Axle Front
15	145212		Hex Flange Lock
17	180641		Shaft Asm Strg
26	126847X		Bushing Rod Tie Blk Lt
28	19131416		Washer 13/32 X 7/8 X 16ga
29	17060612		Screw 3/8-16x3/4
30	76020412		Pin
32	130465		Rod Tie Wire Form 19 75 Mech
36	155099		Bushing Strg 5/8 Id Dash
37	152927		Screw TT #10-32 x 5 x 3/8 Flange
38	140045X428		Insert Cap Strg
39	19183812		Washer 9/16 ID x 2-3/8 OD 12 Gr
40	7810H		Locknut Center
41	100711L		Adaptor Wheel Strg 640/ 635id
42	145054X428		Boot Dash Steering
43	121749X		Washer 25/32 X 1 1/4 X 16 Ga
44	180640		Extension Steering
46	121232X		Cap Spindle Fr Top Blk
47	6855M		Fitting Grease
51	73540400		Nut Crownlock 1/4-28
54	71130420		Bolt Hex 1/4-28unf x 1-1/4 Gr. 8
65	160367		Spacer Brace Axle
67	72140618		Bolt Rdhd Sq 3/8-16 Unc x 2-3/4
68	169827		Brace Axle
71	175146		Steering Asm
82	169835		Bracket Susp Chassis Front
85	133835		Fastener Christmas Tree
88	175118		Bolt Shoulder 7/16-20
91	175553		Clip Steering



Ref #	Part Number	Qty	Description
1	59192		Cap Valve Tire
2	65139		Stem Valve
3	106222X		Tire F Ts 15 X 6 0 - 6 Service
4	59904		Tube Front (Service Item Only)
5	106732X427		Rim Asm 6" front White Service
6	278H		Fitting Grease (Front Wheel Only)
7	9040H		Bearing Flange (Front Wheel Only)
8	106108X427		Rim Asm 8" rear White Service
9	106268X		Tire R Ts 18x9.5-8 C Service
10	7152J		Tube Rear (Service Item Only)
11	104757X428		Cap Axle Blk 1 50 X 1 00
	144334		Sealant, Tire (10 oz. Tube)

