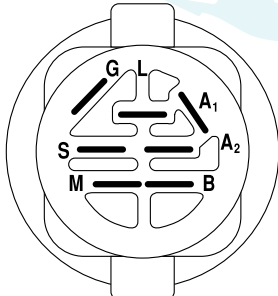
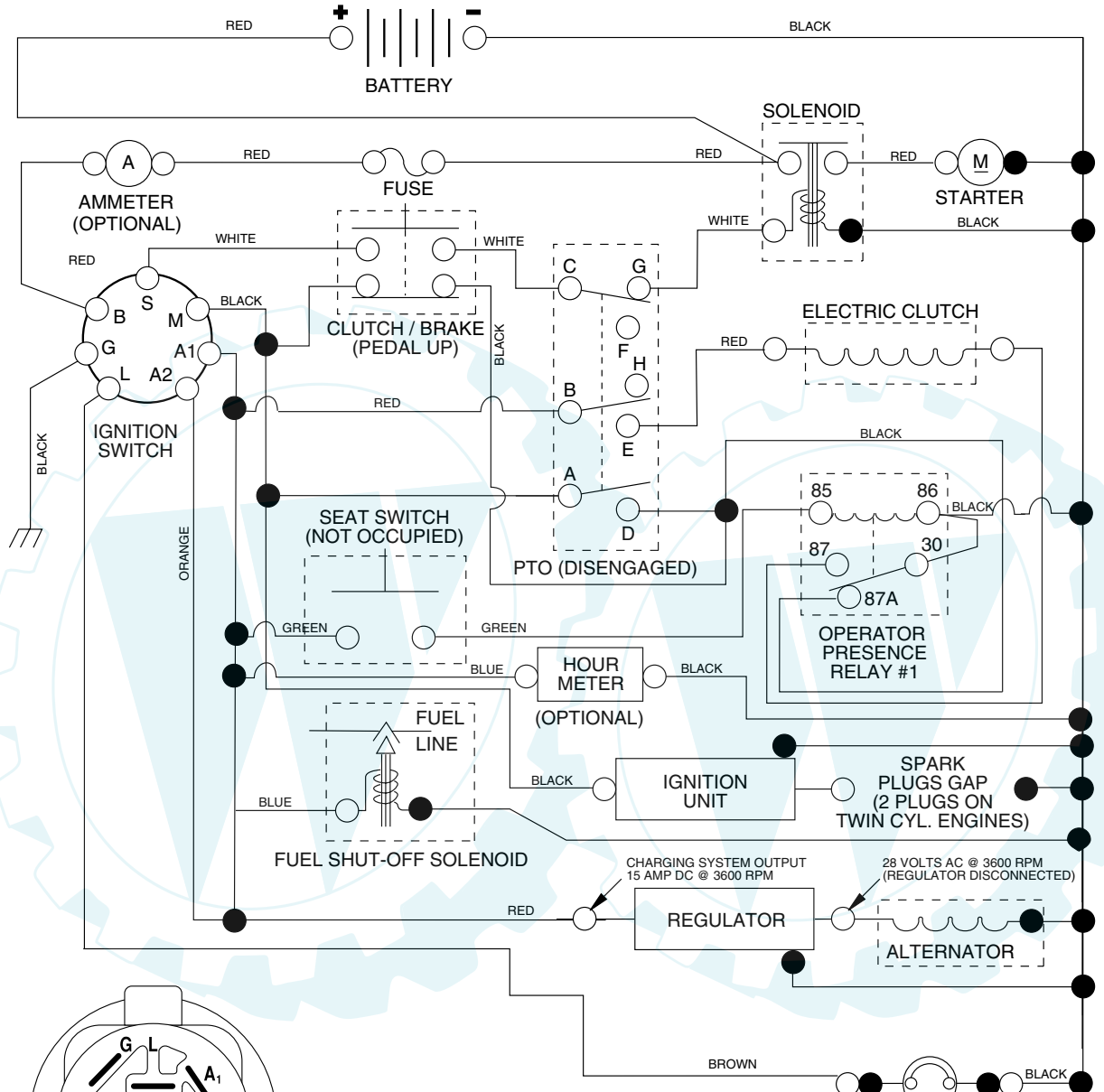


TRACTOR - MODEL NUMBER PD20PH48STB, PRODUCT NUMBER 954 56 95-16
SCHEMATIC



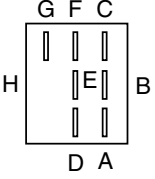
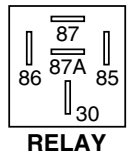
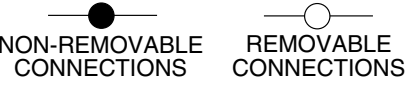
IGNITION SWITCH

POSITION	CIRCUIT	"MAKE"
OFF	M+G+A1	NONE
RUN/LIGHT	B+A1	A2+L
RUN	B+A1	NONE
START	B + S + A1	NONE

WIRING INSULATED CLIPS
NOTE: IF WIRING INSULATED CLIPS WERE REMOVED FOR SERVICING OF UNIT, THEY SHOULD BE REPLACED TO PROPERLY SECURE YOUR WIRING.

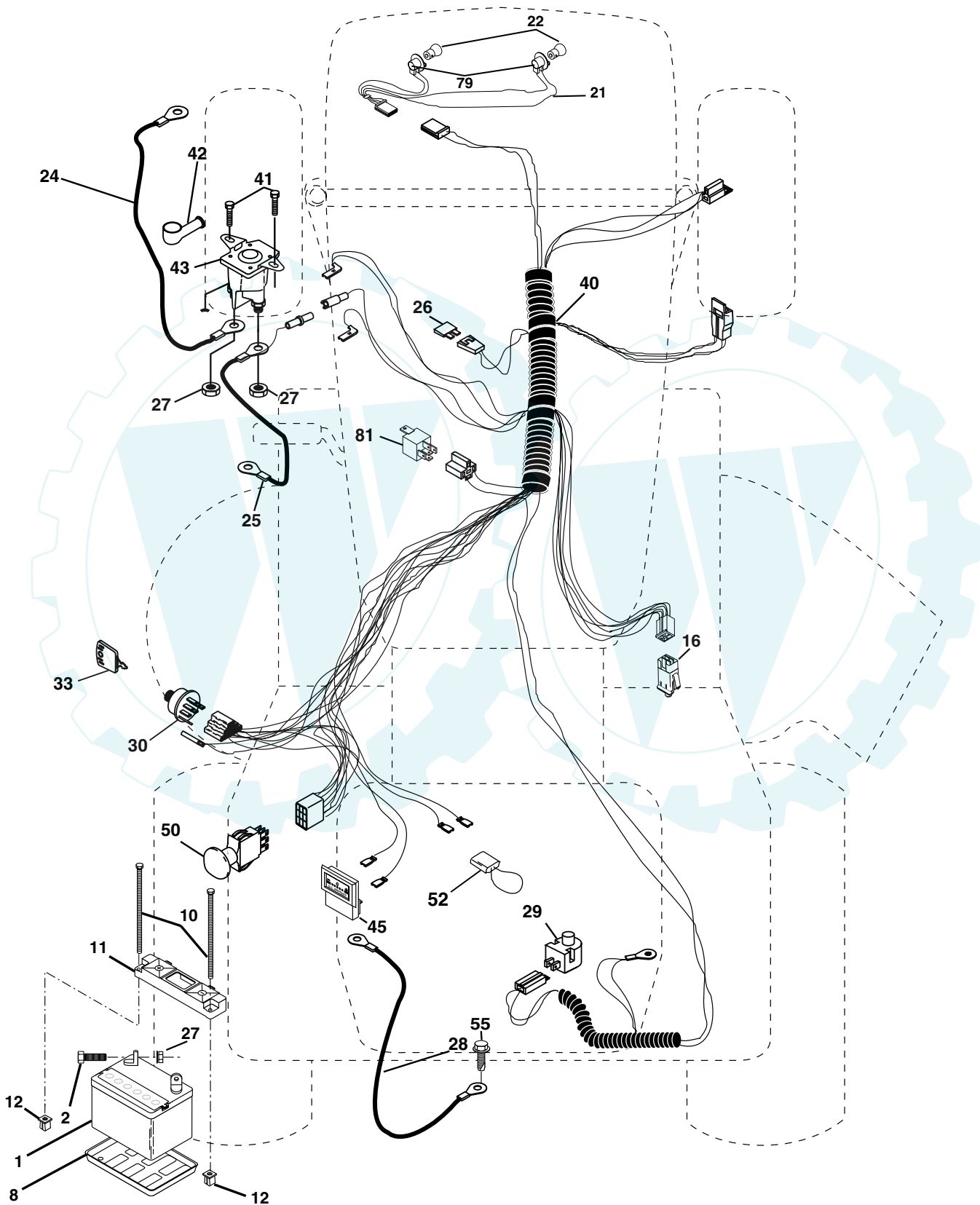
PTO SWITCH

POSITION	CIRCUIT
OFF	C + G, B + H
ON	C + F, B + E, A + D



REPAIR PARTS

TRACTOR - MODEL NUMBER PD20PH48STB, PRODUCT NUMBER 954 56 95-16
ELECTRICAL



REPAIR PARTS

TRACTOR - MODEL NUMBER PD20PH48STB, PRODUCT NUMBER 954 56 95-16
ELECTRICAL

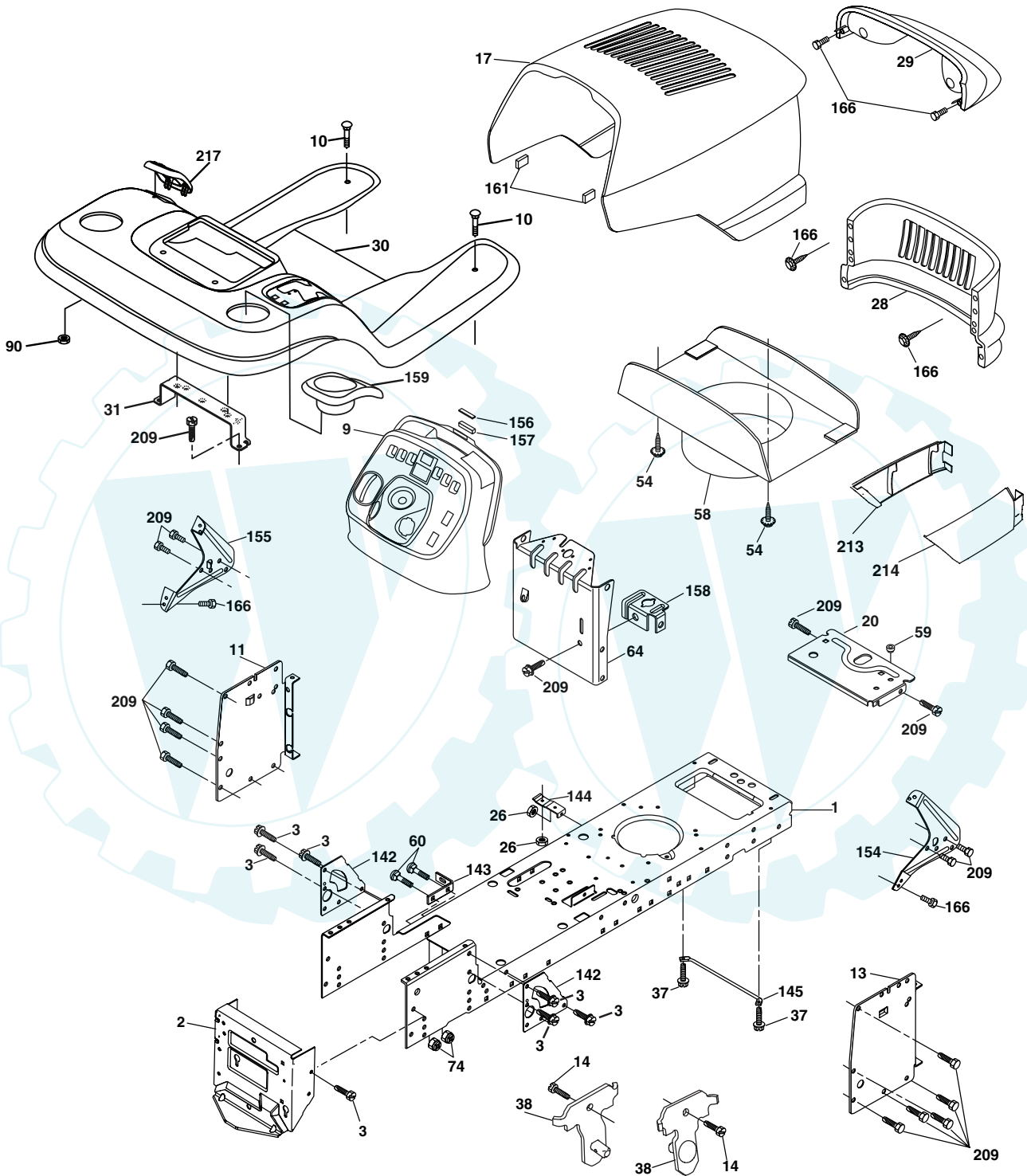


KEY NO.	PART NO.	DESCRIPTION
1	144927	Battery
2	74760412	Bolt Hex Hd 1/4-20 UNC X 3/4
8	7603J	Tray, Battery
10	145211	Bolt, BTR FRT 1/4-20 x 7.5
11	150109	Hold Down Battery, Front
12	145769	Nut, Push, Nylon
16	176138	Switch Interlock Push-In
21	175688	Harness Asm Light W/Bulbs
22	4152J	Bulb Light
24	178909	Cable Battery
25	146148	Cable Batterywire
26	175158	Fuse
27	73510400	Nut Keps Hex 1/4-20 Unc
28	145491	Cable Ground
29	160784	Switch Plunger Normal OP Olive
30	175566	Switch Ign 4 pos w/lights
33	140401	Key Ign
40	179735	Harness Ign.
41	17720408	Bolt Blk Fin Hex 1/4-20 x 1/2
42	131563	Cover Terminal Red
43	178861	Solenoid
45	122822X	Ammeter Rectangular
50	174653	Switch, PTO
52	141940	Protection Wire Loop
55	17490508	Screw Thdrol 5/16-18 x 1/2
79	175242	Socket Asm Bulb Twistlock
81	109748X	Relay Asm

NOTE: All component dimensions given in U.S. inches.
1 inch = 25.4 mm.

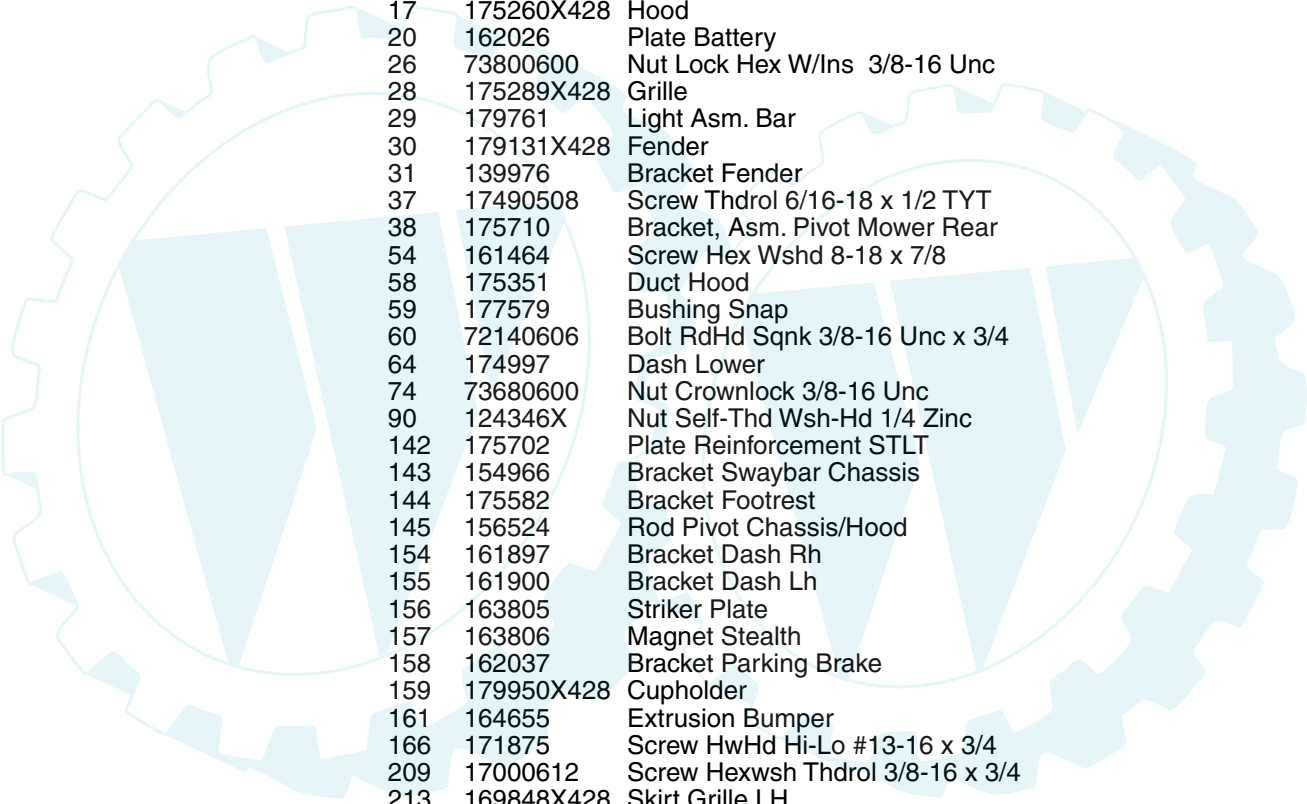
REPAIR PARTS

TRACTOR - MODEL NUMBER PD20PH48STB, PRODUCT NUMBER 954 56 95-16
CHASSIS AND ENCLOSURES



REPAIR PARTS

TRACTOR - MODEL NUMBER PD20PH48STB, PRODUCT NUMBER 954 56 95-16 CHASSIS AND ENCLOSURES

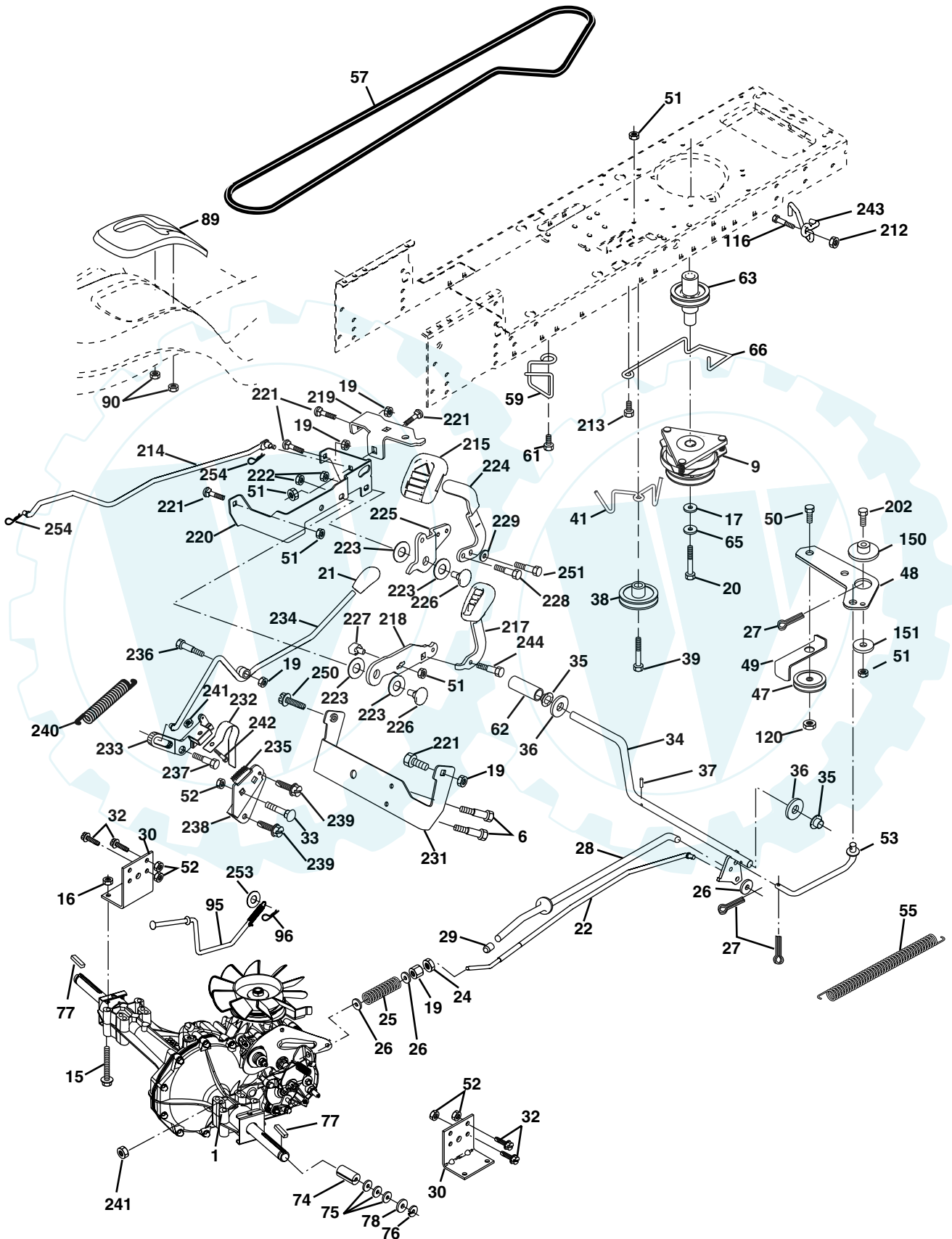


KEY NO.	PART NO.	DESCRIPTION
1	174619	Chassis
2	176554	Drawbar
3	17060612	Screw 3/8-16x3/4
9	163976X428	Dash
10	72140608	Bolt 3/8-16 x 1
11	167203	Panel Dash Lh
13	178298	Panel Dash Rh
14	17490608	Screw Thdrol 3/8-16 x 1/2
17	175260X428	Hood
20	162026	Plate Battery
26	73800600	Nut Lock Hex W/Ins 3/8-16 Unc
28	175289X428	Grille
29	179761	Light Asm. Bar
30	179131X428	Fender
31	139976	Bracket Fender
37	17490508	Screw Thdrol 6/16-18 x 1/2 TYT
38	175710	Bracket, Asm. Pivot Mower Rear
54	161464	Screw Hex Wshd 8-18 x 7/8
58	175351	Duct Hood
59	177579	Bushing Snap
60	72140606	Bolt RdHd Sqnk 3/8-16 Unc x 3/4
64	174997	Dash Lower
74	73680600	Nut Crownlock 3/8-16 Unc
90	124346X	Nut Self-Thd Wsh-Hd 1/4 Zinc
142	175702	Plate Reinforcement STLT
143	154966	Bracket Swaybar Chassis
144	175582	Bracket Footrest
145	156524	Rod Pivot Chassis/Hood
154	161897	Bracket Dash Rh
155	161900	Bracket Dash Lh
156	163805	Striker Plate
157	163806	Magnet Stealth
158	162037	Bracket Parking Brake
159	179950X428	Cupholder
161	164655	Extrusion Bumper
166	171875	Screw HwHd Hi-Lo #13-16 x 3/4
209	17000612	Screw Hexwsh Thdrol 3/8-16 x 3/4
213	169848X428	Skirt Grille LH
214	169847X428	Skirt Grille RH
217	179132X428	Console Fuel Window

NOTE: All component dimensions given in U.S. inches
1 inch = 25.4 mm

REPAIR PARTS

TRACTOR - MODEL NUMBER PD20PH48STB, PRODUCT NUMBER 954 56 95-16
DRIVE



REPAIR PARTS

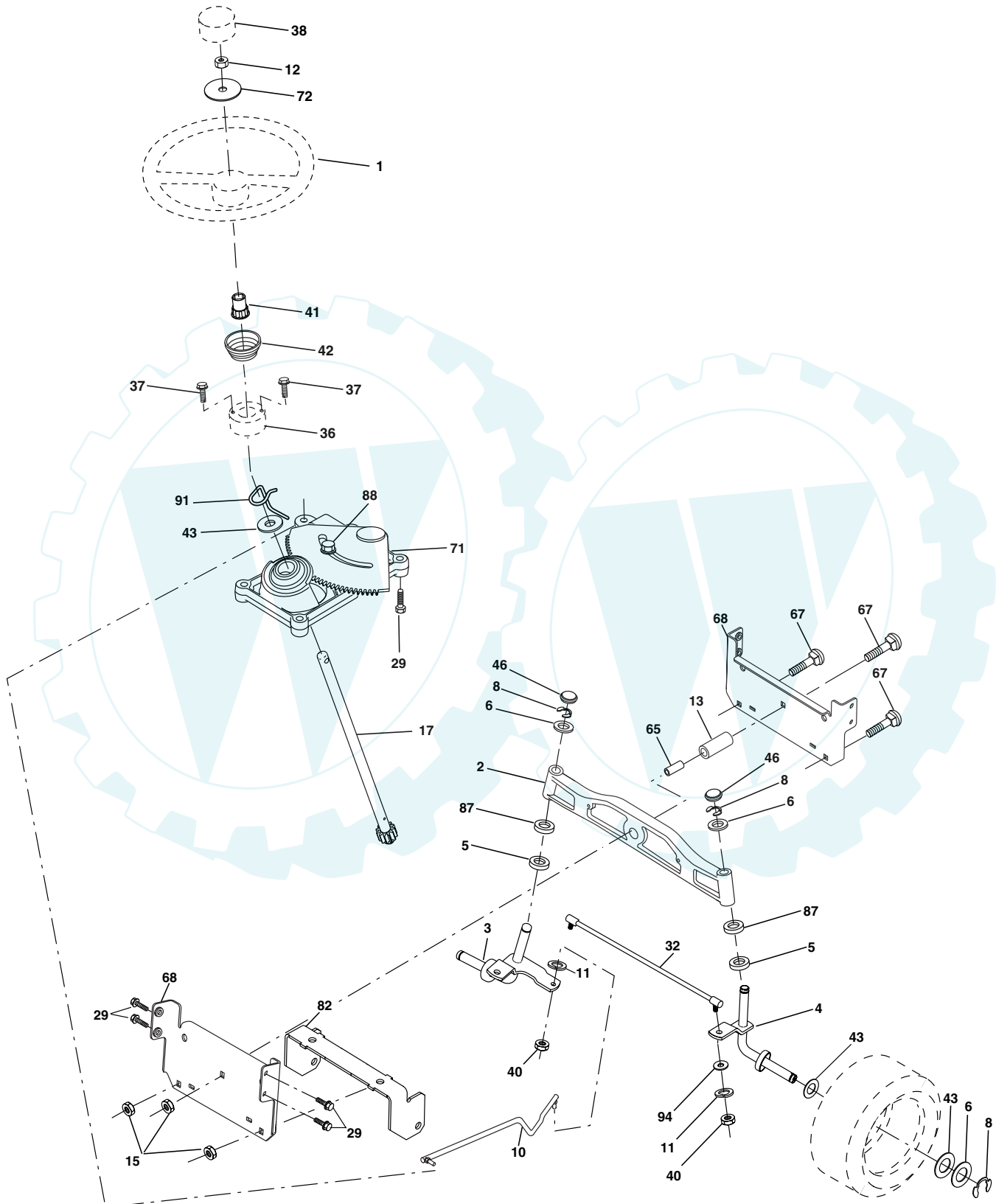
**TRACTOR - MODEL NUMBER PD20PH48STB, PRODUCT NUMBER 954 56 95-16
DRIVE**

KEY NO.	PART NO.	DESCRIPTION	KEY NO.	PART NO.	DESCRIPTION
1	-----	Transaxle (Order parts from trans-axle manufacturer) Hydro gear Model 336-0510	89	174901X428	Console, Shift
6	17060512	Screw 5/16-18 x 3/4	90	124346X	Nut Self-Thd Wsh-hd 1/4 Zinc
9	179334	Clutch Elec	95	180825	Rod Bypass
15	74490544	Bolt Hex Fighd 5/16-18 Gr. 5	96	4497H	Retainer Spring 1" Zinc/Cad
16	73800500	Nut Lock Hex W/Ins. 5/16-18 Unc	116	72140608	Bolt RDHD SQNK 3/8-16 Unc x 1
17	126197X	Washer 1-1/2 OD x 15/32 ID x .250	120	73900600	Nut Lock Flg 3/8-16 Unc
19	73800600	Nut Lock Hex W/Wsh 3/8-16 Unc	150	175456	Spacer Retainer
20	173937	Bolt Hex 7/16-20 x 4 x Gr. 5-1.5	151	19133210	Washer 13/32 x 2 x 10 Ga.
21	175036X421	Knob Custom Control Cruise	202	72110614	Bolt Carr Sh 3/8-16 x 1-3/4 Gr. 5
22	175896	Rod, Brake	207	17670508	Screw Thdrol 5/16-18 x 1/2
24	73350600	Nut, Hex Jam 3/8-16 Unc	212	145212	Nut HexFlange Lock
25	106888X	Spring, Brake Rod	213	17060620	Screw 3/8-16 x 1-1/4
26	19131316	Washer	214	174735	Link Transaxle
27	76020412	Pin Cotter 1/8 x 3/4 CAD.	215	175646	Cover Pedal Forward
28	175765	Rod, Parking Brake	217	179433	Pedal Reverse
29	71673	Cap, Brake, Park	218	174713	Arm Control Pedal Reverse
30	169592	Bracket, Transaxle	219	174839	Bracket Frest Pdl Ctrl. Hyd
32	74760512	Bolt Hex Hd 5/16-18 Unc x 3/4	220	174711	Bracket Mtg. Pedal Control
33	72140506	Bolt Rdhd Sqnk 5/16-18 Unc x 3/4	221	72140606	Bolt Rdhd Sqnk 3/8-16 Unc x 3/4
34	175578	Shaft, Foot Pedal	222	73680700	Nut Crownlock 7/16-14 Unc
35	120183X	Bearing, Nylon	223	174840	Washer Nylon 11/16 ID x .060
36	19211616	Washer	224	174736	Pedal Forward
37	1572H	Pin, Roll	225	174712	Arm Control Pedal Forward
38	179114	Pulley, Composite, Flat	226	174902	Bolt Pivot Spacer
39	74760648	Bolt Fin Hex 3/8-16 Unc x 3	227	174710	Cam Reverse Pedal LT
41	175556	Keeper, Belt Idler Flat	228	179032	Bolt Shoulder 5/16-18
47	127783	Pulley, Idler, V-Groove	229	176451	Washer Serrated 5/16 x .75
48	154407	Bellcrank Clutch Grnd Drw Stl	231	174573	Strap Torque
49	123205X	Retainer, Belt	232	175570	Actuator Cruise Disengage
50	72110612	Bolt	233	174856	Pawl Control Cruise
51	73680600	Nut Crownlock 3/8-16 UNC	234	174858	Lever Control Cruise
52	73680500	Nut, Crownlock 5/16-18 Unc	235	174857	Sector Control Cruise
53	105710X	Link, Clutch	236	128903	Bolt Shoulder 3/8-16 Unc 1/44
55	105709X	Spring, Return, Clutch	237	170165	Bolt Shoulder 5/16-18
57	140294	V-Belt, Ground Drive	238	175807	Arm Mtg. Cruise Sector
59	169691	Keeper, Center Span	239	17490508	Screw Thdrol 5/16 x 1/2
61	17120614	Screw 3/8-16 x .875	240	175610	Spring Return Cruise Control
62	8883R	Cover, Pedal	241	73930400	Nut Centerlock 1/4-20 Unc
63	174607	Pulley, Engine	242	74780412	Bolt Fin Hex 1/4-20 Unc x .75
65	10040700	Washer	243	178289	Bracket Anti-Rotation CVX
66	154778	Keeper Belt Engine	244	166880	Screw 5/16-18 x 5/8
74	137057	Spacer, Axle	250	17060612	Screw 3/8-16 x .75
75	121749X	Washer 25/32 x 1-1/4 x 16 Ga.	253	179422	Washer .3125 x .615 x 16 Ga.
76	12000001	E-Ring	254	178062	Clip Retainer
77	123583X	Key, Square			
78	121748X	Washer 25/32 x 1-5/8 x 16 Ga.			

NOTE: All component dimensions give in U.S. inches.
1 inch = 25.4 mm

REPAIR PARTS

TRACTOR - MODEL NUMBER PD20PH48STB, PRODUCT NUMBER 954 56 95-16 STEERING ASSEMBLY



REPAIR PARTS

TRACTOR - MODEL NUMBER PD20PH48STB, PRODUCT NUMBER 954 56 95-16
STEERING ASSEMBLY

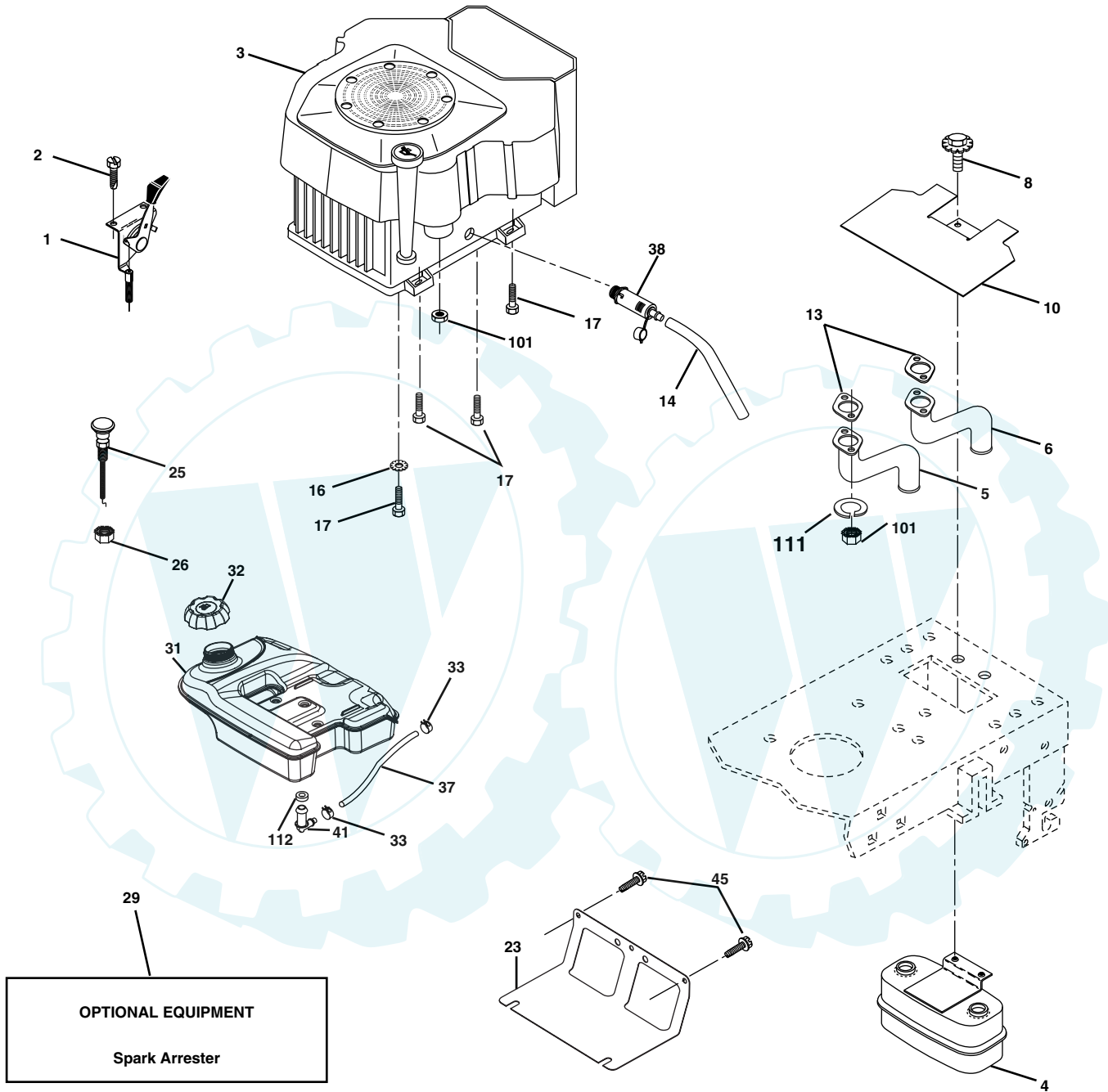


KEY NO.	PART NO.	DESCRIPTION
1	180656	Wheel Steering
2	172393	Axle Cast Lt Machined
3	169840	Spindle Asm LH
4	169839	Spindle Asm RH
5	6266H	Bearing Race Thrust Harden
6	121748X	Washer 25/32 X 1-5/8 X 16 Ga
8	12000029	Ring Klip #t5304-75
10	175121	Link Drag
11	10040600	Washer Lock Hvy Hlcl Spr 3/8
12	73940800	Nut Hex Jam Toplock 1/2-20 UNF
13	136518	Spacer Brg Axle Front
15	145212	Nut Hex Flange Lock
17	177883	Shaft Asm Strg
29	17060612	Screw 3/8-16x3/4
32	180580	Rod Tie
36	155105	Bushing Strg
37	152927	Screw TT #32.5 x 5 x 3/8 Flange
38	180657	Cap Wheel Steer
40	7810H	Nut Lock Center 3/8-24 Unf
41	159945	Adaptor Wheel Strg
42	180856X428	Boot Steering
43	121749X	Washer 25/32 X 1 1/4 X 16 Ga
46	121232X	Cap Spindle Fr Top Blk
65	160367	Spacer Brace Axle
67	72140618	Bolt Rdhd Sqn 3/8-16 x 2-1/4
68	169827	Brace, Axle
71	175146	Steering Asm.
72	19182411	Washer 9/16 ID x 1/20 OD 11 Ga.
82	169835	Bracket Susp Chassis Front
87	173966	Washer Flat .781 x 1-1/2 x .14
88	175118	Bolt Shoulder 7/16-20 Unc
91	175553	Clip
94	19121414	Rod Tie

NOTE: All component dimensions given in U.S. inches.
1 inch = 25.4 mm.

REPAIR PARTS

TRACTOR - MODEL NUMBER PD20PH48STB, PRODUCT NUMBER 954 56 95-16
ENGINE



REPAIR PARTS

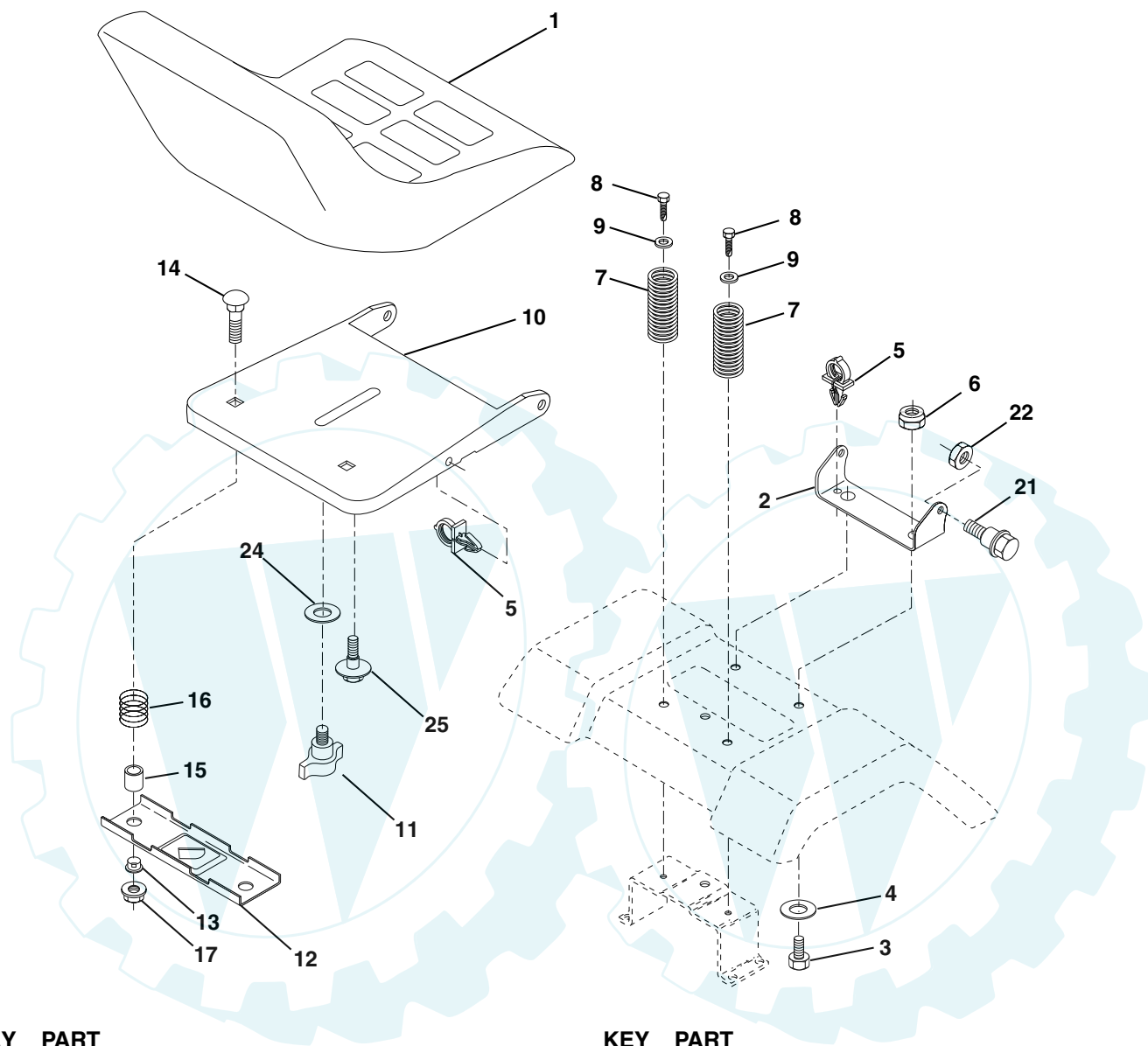
TRACTOR - MODEL NUMBER PD20PH48STB, PRODUCT NUMBER 954 56 95-16
ENGINE

KEY NO.	PART NO.	DESCRIPTION
1	175439X428	Control Throttle
2	171875	Screw HwHd Hi-Lo #13-16 x 3/4
3	-----	Engine, Kohler Model CV624 (Order parts from engine mfg.)
4	149723	Muffler Asm Twin Lo-Tone
5	146699	Pipe Exhaust LH
6	146700	Pipe Exhaust RH
8	171877	Bolt 5/16-18 UNC x 3/4 w/Sems
10	146629	Shield Heat Muffler
13	-----	Muffler Gasket (Order from Engine Mfgr.)
14	148456	Tube Drain Oil Easy
17	17060624	Screw Thdrol 3/8-16 x 1-1/2
23	169837	Shield Heat
25	175441X428	Choke Control
26	73920600	Nut, Keps 3/8-24 UNF
29	137180	Kit Spark Arrestor (Flat Scrn)
31	179022	Tank Fuel 4.0 Rear
32	179124X428	Cap Asm Fuel
33	123487X	Clamp Hose Black
37	8543R	Line Fuel
38	181654	Plug Drain Oil
41	139277	Stem Tank Fuel
45	17000612	Screw Hexwsh Thdr 3/8-16 x 3/4
101	M73030800	Nut Flange
111	10010500	Washer Split
112	3645J	Bushing

NOTE: All component dimensions given in U.S. inches
1 inch = 25.4 mm

REPAIR PARTS

TRACTOR - MODEL NUMBER PD20PH48STB, PRODUCT NUMBER 954 56 95-16 SEAT ASSEMBLY



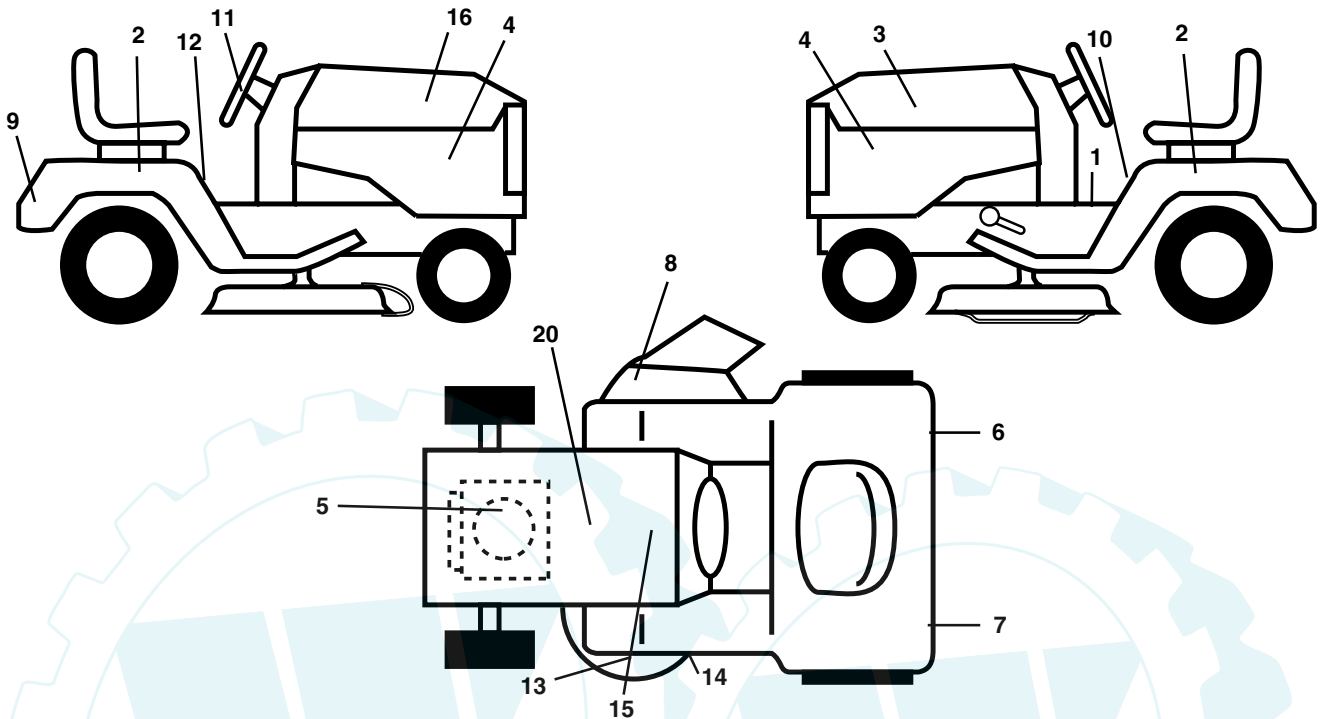
KEY NO.	PART NO.	DESCRIPTION
1	171684	Seat
2	140551	Bracket Pivot Seat 8 720
3	71110616	Bolt Fin Hex 3/8-16 Unc x 1
4	19131610	Washer Flat 13/32 x 1 x 10 Ga.
5	145006	Clip Push-In
6	73800600	Nut Hex w/Ins. 3/8-16 Unc
7	124181X	Spring Seat Cprsn 2 250 Blk Zi
8	17000616	Screw 3/8-16 x 1
9	19131614	Washer 13/32 x 1 x 14 Ga.
10	182493	Pan Seat
11	166369	Knob Seat Adj. Wingnut
12	121246X	Bracket Mounting Switch

KEY NO.	PART NO.	DESCRIPTION
13	121248X	Bushing Snap Blk Nyl 50 Id
14	72050412	Bolt Rdhd Sqnk 1/4-20x1-1/2
15	121249X	Spacer Split 28x 88
16	123740X	Spring Cprsn
17	123976X	Nut Lock 1/4 Lge Flg Gr 5 Zinc
21	171852	Bolt Shoulder 5/16-18 Unc
22	73800500	Nut Hex Lock W/Ins 5/16-18
24	19171912	Washer 17/32 X 1-3/16 X 12 Ga.
25	127018X	Bolt Shoulder 5/16-18 X 62

NOTE: All component dimensions given in U.S. inches.
1 inch = 25.4 mm

REPAIR PARTS

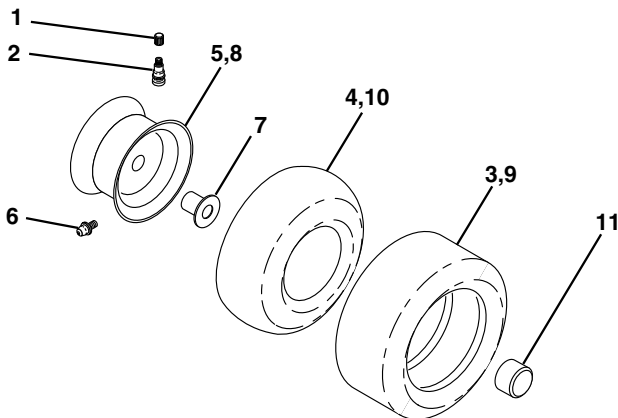
TRACTOR - MODEL NUMBER PD20PH48STB, PRODUCT NUMBER 954 56 95-16
DECALS



KEY NO.	PART NO.	DESCRIPTION
1	164095	Decal Dash
2	176303	Decal Fender Auto
3	176273	Decal Hood LH
4	185511	Decal Side Panel
5	185686	Decal HP Engine
6	173587	Decal Reflector Rh
7	173589	Decal Reflector Lh
9	172740	Decal Fender Logo
10	157140	Decal Fender Danger E/F
11	172743	Decal Ins Strg Whl
12	177982	Decal Fender Oper Cruise

KEY NO.	PART NO.	DESCRIPTION
13	178502	Decal Deck Caution
14	175291	Decal V-Belt Schematic
15	186273	Decal Replace
16	176272	Decal Hood Rh
20	145005	Decal Bat Dan/Psn
--	169210	Decal By Pass Lt Hydro
--	174998X428	Pad Footrest Lh
--	175542X428	Pad Footrest Rh
--	186666	Manual Owner's (English)
--	186667	Manual Owner's (French)

WHEELS & TIRES

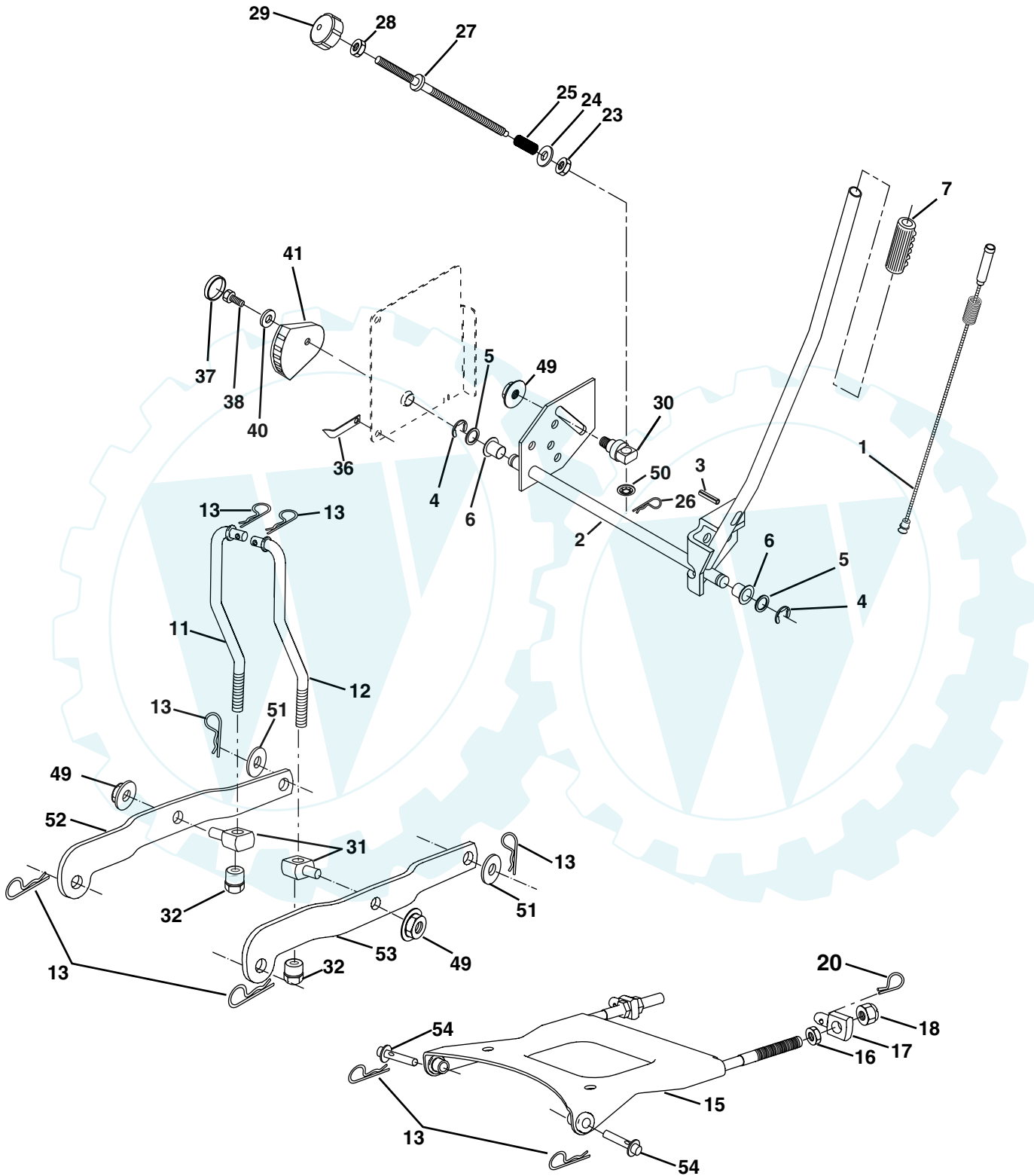


KEY NO.	PART NO.	DESCRIPTION
1	59192	Cap Valve Tire
2	65139	Stem Valve
3	170455	Tire F T 15 X 6 0 - 6 Service
4	59904	Tube Front (Service Item Only)
5	106732X421	Rim Asm 6"front Service
6	278H	Fitting Grease (Front Wheel Only)
7	9040H	Bearing Flange (Front Wheel Only)
8	106108X421	Rim Asm 8"rear Service
9	170456	Tire RT 20x10 -8 C Service
10	7152J	Tube Rear (Service Item Only)
11	104757X421	Cap Axle 1 50 X 1 00
--	144334	Sealant, Tire (10 oz. Tube)

NOTE: All component dimensions given in U.S. inches
1 inch = 25.4 mm

REPAIR PARTS

TRACTOR - MODEL NUMBER PD20PH48STB, PRODUCT NUMBER 954 56 95-16
MOWER LIFT



REPAIR PARTS

TRACTOR - MODEL NUMBER PD20PH48STB, PRODUCT NUMBER 954 56 95-16
MOWER LIFT

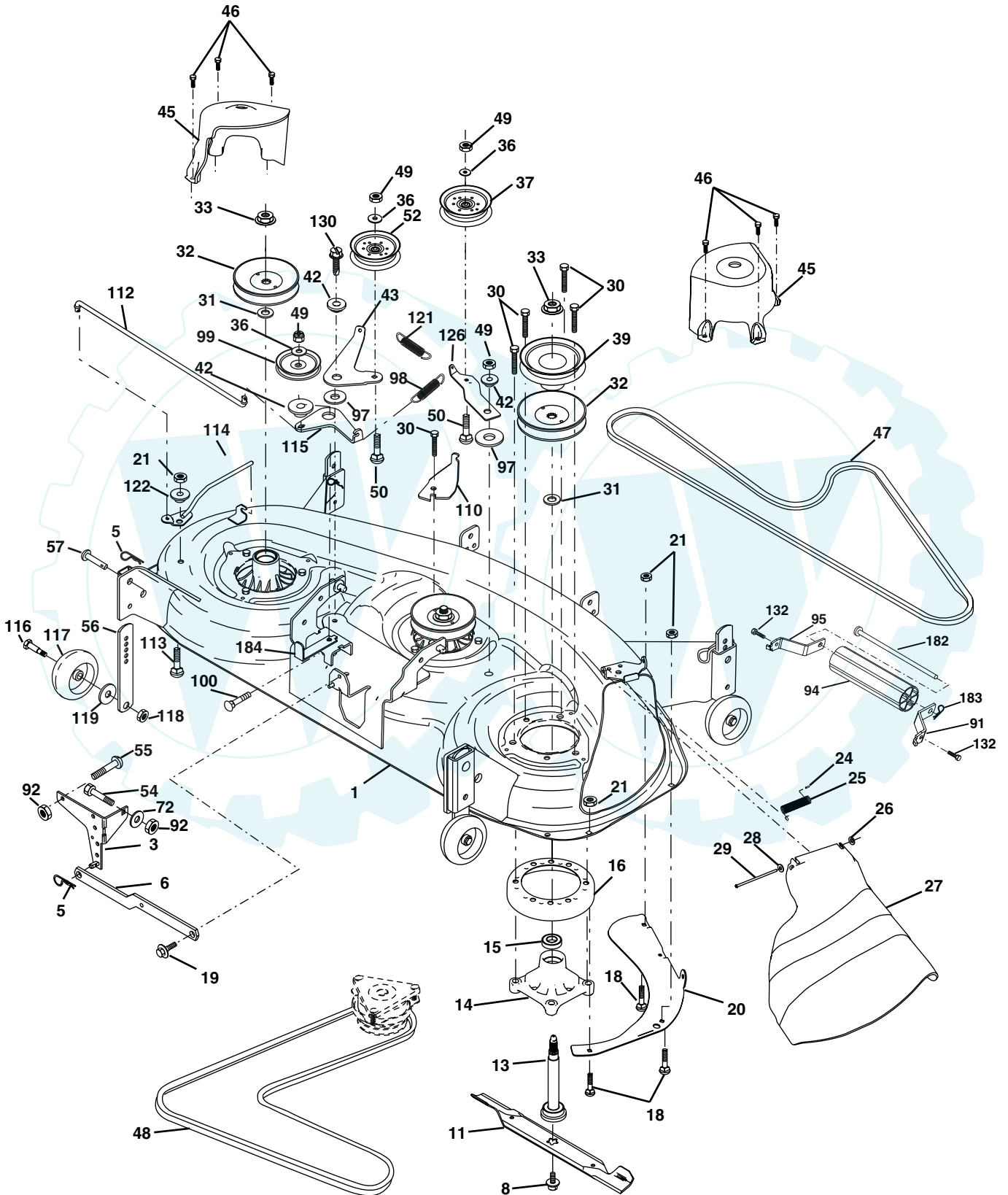


KEY NO.	PART NO.	DESCRIPTION
1	184432	Wire Asm Inner/Sprg W/plunger
2	159476	Shaft Asm Lift RH w/Inf
3	138284	Pin Groove
4	12000002	E Ring #5133-62
5	19211621	Washer 21/32 X 1 X 21 Ga
6	120183X	Bearing Nylon Blk 629 Id
7	175830	Grip Handle
11	175370	Link Lift LH
12	175371	Link Lift RH
13	4939M	Retainer Spring
15	175562	Plate Asm. Suspension Front
16	73350800	Nut Jam Hex 1/2-13 Unc
17	175689	Trunnion Front Susp.
18	73800800	Nut Lock w/Wsh 1/2-13unc
20	163552	Retainer Spring
23	110807X	Nut Special
24	19131016	Washer 13/32 X 5/8 X 16 Ga
25	164024	Spring
26	169484	Retainer Clip
27	164543	Rod Adj Lift
28	73350600	Nut Hex Jam 3/8-16 Unc
29	138057	Knob Inf 3/8-16 Unc Blk W/sym
30	150233	Trunnion Infin Height
31	176205	Trunnion Susp. Arm
32	175994	Nut Lift Link 7/16-20
36	155097	Pointer Height Indicator
37	123935X	Plug Hole Blk 1.485/1.515 Dia.
38	17060516	Screw 5/16-18 x 1
40	19112410	Washer 11/32 x 1-1/2 10 Ga.
41	155098	Indicator Height STLT
49	145212	Nut Hex Flange Lock
50	110452X	Nut PUsH Phos & Oil
51	19171416	Washer 17/32 x 7/8 x 16 Ga.
52	175378	Arm Susp. Rear LH
53	175802	Arm Susp. Rear RH
54	175560	Pin

NOTE: All component dimensions given in U.S. inches
1 inch = 25.4 mm

REPAIR PARTS

TRACTOR - MODEL NUMBER PD20PH48STB, PRODUCT NUMBER 954 56 95-16
MOWER DECK



REPAIR PARTS

TRACTOR - MODEL NUMBER PD20PH48STB, PRODUCT NUMBER 954 56 95-16 MOWER DECK

KEY NO.	PART NO.	DESCRIPTION	KEY NO.	PART NO.	DESCRIPTION
1	180358X421	Deck Weldment Mower 48	49	73680600	Nut, Crownlock 3/8-16 UNC
3	138017	Bracket Asm., Sway Bar	50	72110612	Bolt, Carr. 3/8-16 x 1-1/2 Gr. 5
5	4939M	Retainer Spring	52	175820	Pulley Idler Flat
6	178024	Arm, Suspension, Rear Sway Bar Deck	54	74780616	Bolt Fin Hex 3/8-16 x 1
8	174365	Bolt 7/16 Asm. Blade (The following blades are available)	55	72140608	Bolt Carriage Sqnk. 3/8-16 x 1
11	173921	Blade, 48" Mulching (For mulching mowers only)	56	155986	Bar Pnt Adj.
11	180054	Blade, 48" Hi-Lift (For bagging and discharging)	57	156941	Pin Head Rivet
13	174360	Shaft Asm. w/Lower Bearing	72	19131312	Washer 13/32 x 13/16 x 12 Ga.
14	174358	Mandrel Asm. Housing	91	180534	Bracket, Asm Noseroller, LH
15	110485X	Bearing, Ball, Mandrel	92	73800600	Nut Lock Hex 3/8-16
16	174493	Stripper Mandrel Deck	94	176066	Noseroller
17	72110610	Bolt RDHD Sq Neck 3/8-16 x 1.25	95	180535	Bracket, Asm Noseroller RH
18	72140505	Bolt, Carriage 5/16-18 x 5/8	97	178515	Washer Hardened
19	132827	Bolt, Hex Hd, Shoulder 5/16-18	98	179479	Spring Primary Drive
20	174378	Baffle, Vortex Mower	99	184058	Pulley Idler"V"
21	73680500	Nut, Crownlock 5/16-18 UNC	100	72110616	Bolt RDHD Sqnk 3/8-16 UNC x 2
24	105304X	Cap, Sleeve	110	175016	Arm Spring Secondary
25	178102	Spring, Torsion	112	174387	Link Tension Relief Lever
26	110452X	Nut, Push	113	72110506	Bolt 5/16-18 x 3/4
27	180655X428	Deflector Shield	114	174384	Tension Asm. Relief Lever
28	19111016	Washer 11/32 x 5/8 x 16 Ga.	115	174609	Arm Spring Tension Relief
29	131491	Rod, Hinge	116	184219	Bolt, Shoulder
30	173984	Screw, Thdroll Washer Head	117	133957	Gauge Wheel
31	129963	Washer, Spacer Mower Vented	118	73930600	Nut, Centerlock 3/8-16 UNC
32	177865	Pulley, Mandrel	119	19121414	Washer 3/8 x 7/8 x 14 Ga.
33	178342	Nut, Flg. Top Lock Cntr. 9/16	121	174371	Spring Secondary Drive
36	19131316	Washer 13/32 x 13/16 x 16 Ga.	122	174606	Bushing Pivot Tension Relief
37	177968	Pulley, Idler, Flat	126	174372	Arm, Idler, Primary Deck
39	174375	Pulley, Idler, Driven	130	17000616	Screw 3/8-16 x 1.0
42	122052X	Spacer, Retainer	132	17000612	Screw 3/8-16 x .75
43	174373	Arm, Idler Secondary	182	179127	Rod Roller Nose
45	180806	Cover, Mandrel Deck	183	163552	Retainer Spring
46	137729	Screw, Thdroll. 1/4-20 x 5/8	184	173979	Keeper Belt Idler
47	180808	V-Belt, Mower, Secondary	--	180939	Relplacement Mower, Complete
48	174368	V-Belt, Mower, Primary	--	174356	Mandrel Asm. Service (Includes Key Nos. 13-15 and 33)

NOTE: All component dimensions given in U.S. inches
1 inch = 25.4 mm