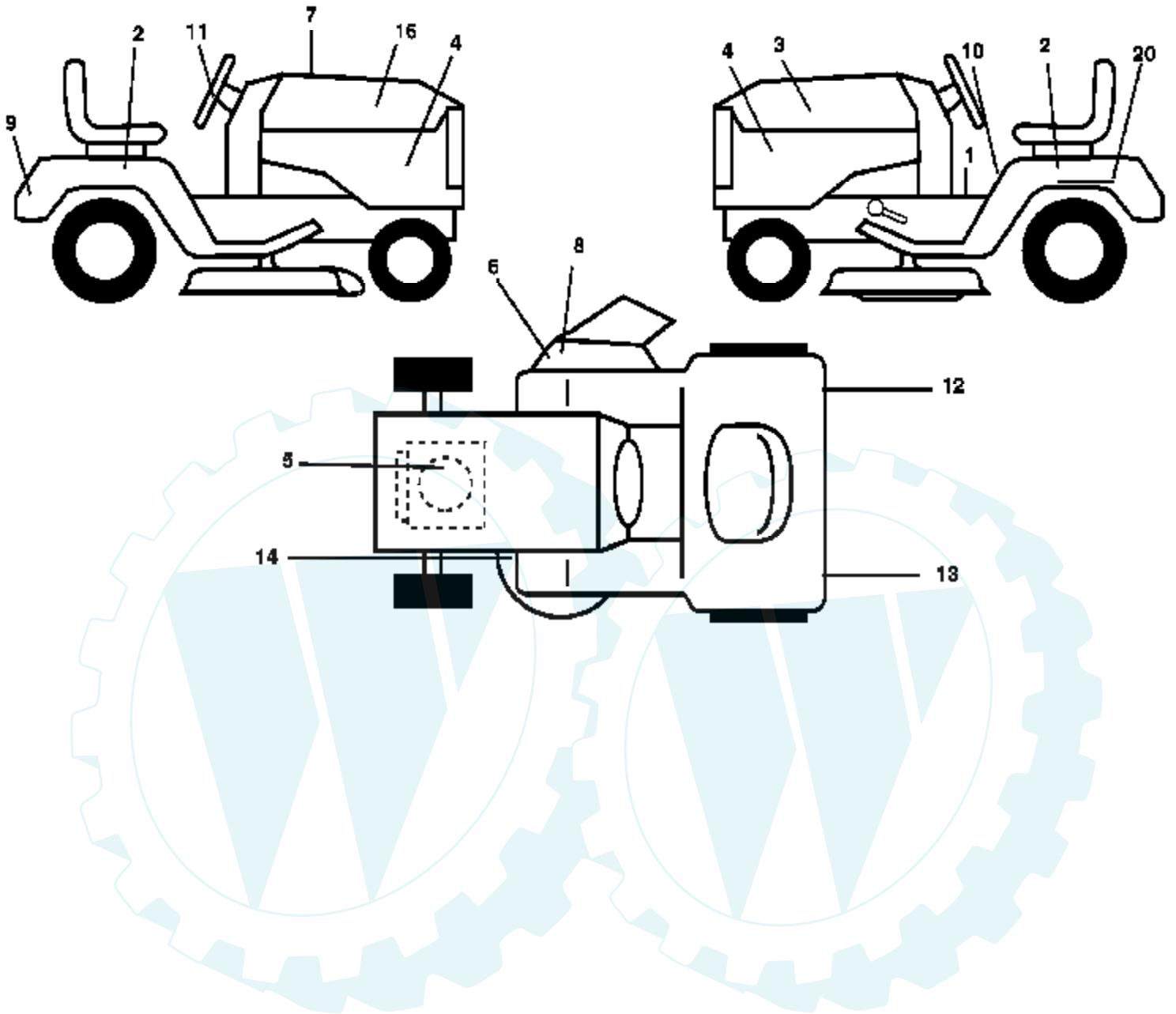
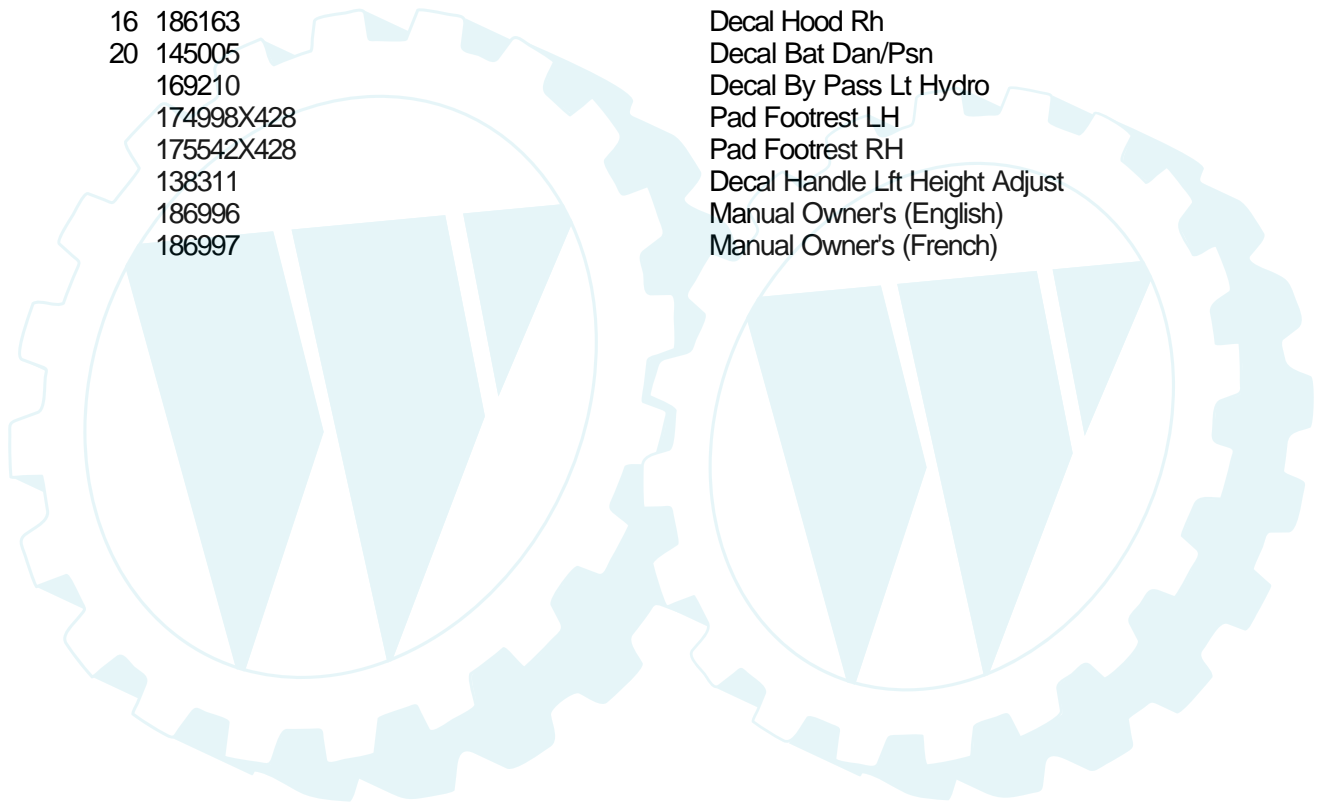


Ref #	Part Number	Qty	Description
1	174619		Chassis
2	176554		Drawbar
3	17060612		Screw 3/8-16 X .75
5	155272		Bumper Hood/Dash
9	168337X012		Dash P/L
10	72140608		Bolt Carriage 3/8-16 x 1
11	174996		Panel Dash Lh
13	175255		Panel Dash Rh
14	17490608		Screw Thdrol 3/8-16 x 1/2
17	183393X428		Hood
18	126938X		Bumper Hood
26	73800600		Nut Lock Hex W/Ins 3/8-16 Unc
28	183828		Grille/Lens Asm
30	184411X428		Fender Footrest
31	139976		Bracket Fender
37	17490508		Screw Thdrol 6/16-18 x 1/2 TYT
38	175710		Bracket Asm Pivot Mower Rear
39	174714		Bracket Pivot
58	185949		Duct Air
60	72140606		Bolt 3/8-16 x 3/4
64	154798		Dash Lower STLTL
74	73680600		Nut Crownlock 3/8-16
90	124346X		Nut Self-Thd Wsh-Hd 1/4
142	175702		Plate Reinforcement STLTL
143	154966		Bracket Swaybar Chassis
144	175582		Bracket Footrest Step-Thru
145	156524		Rod Pivot Chassis/Hood
159	155123X428		Cupholder
166	171875		Screw HwHd Hi-Lo #13-16 x 3/4
206	170165		Bolt Shoulder 5/16-18
207	17670508		Screw Thdrol 5/16-18 x 1/2
208	17670608		Screw Thdrol 3/8-16 x 1/2
209	17000612		Screw Hexwsh Thdr 3/8-16 x 3/4
258	183835X599		Lens Grille Pro RH
259	183834X599		Lens Grille Pro LH
261	183829X428		Insert Grille
263	183832		Bezel Grille LH
264	183833		Bezel Grille RH
269	184400X428		Toolbox Asm.
270	184401X428		Toolbox Lid

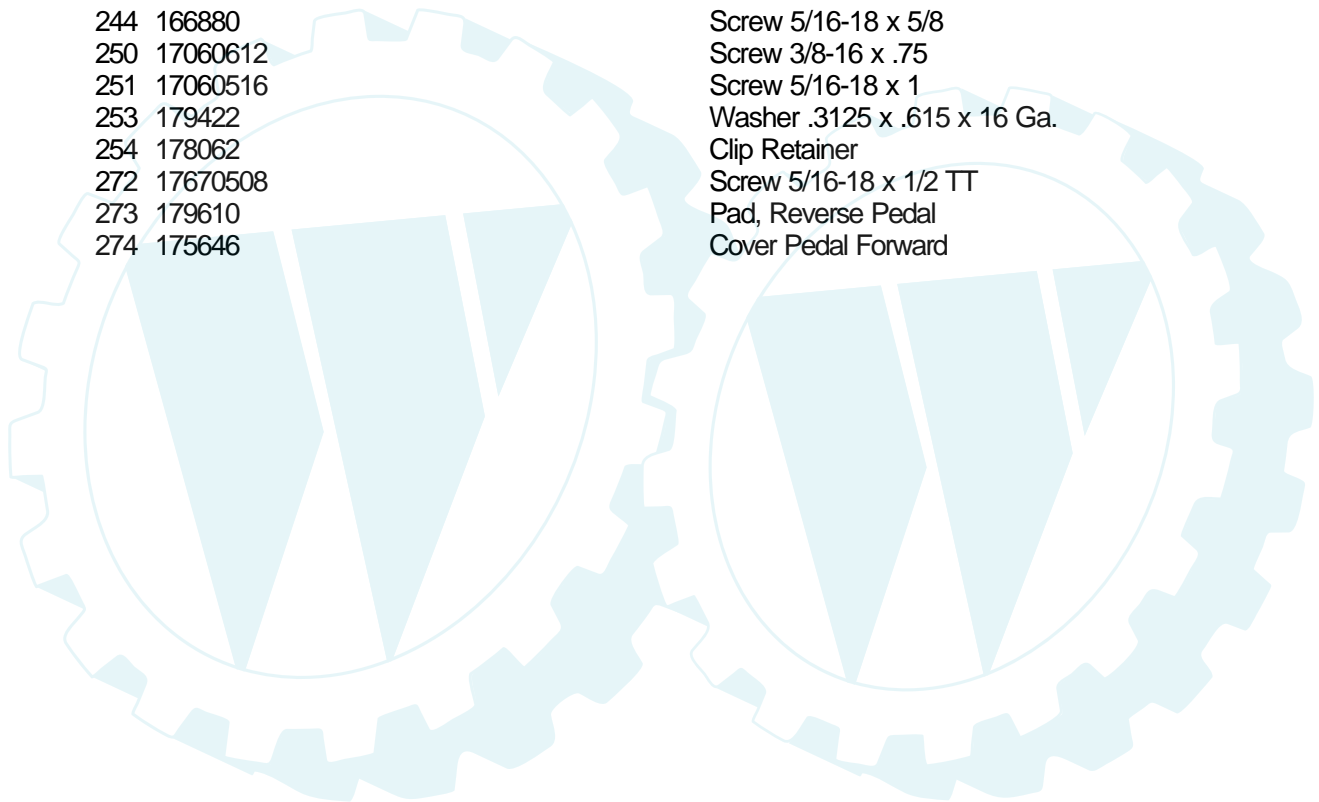


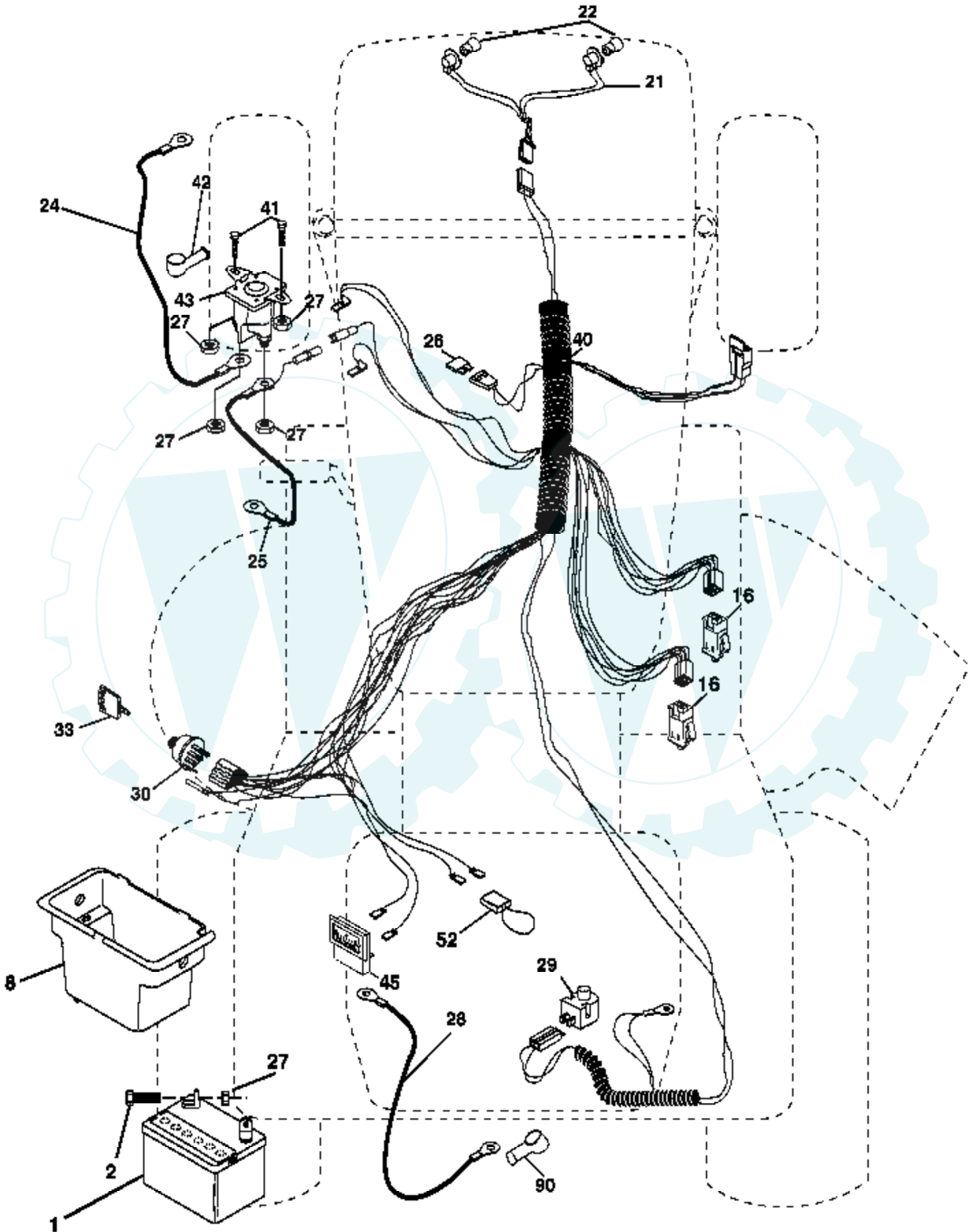
Ref #	Part Number	Qty	Description
1	187102		Decal Oper
2	176303		Decal Fender Auto
3	186164		Decal Hood LH
4	185809		Decal Side Panel Logo
5	170851		Decal HP Engine
6	170563		Decal Warning, Keep Hand Away
7	185440		Decal Replacement Parts
8	179128		Decal Deck "B" 42"
9	172740		Decal Fender Logo
10	157140		Decal Fender Danger E/F
11	172743		Decal Ins Strg Whl
12	173587		Decal Fend Reflector Rh
13	173589		Decal Fend Reflector Lh
14	160396		Decal V-Belt Schematic
16	186163		Decal Hood Rh
20	145005		Decal Bat Dan/Psn
	169210		Decal By Pass Lt Hydro
	174998X428		Pad Footrest LH
	175542X428		Pad Footrest RH
	138311		Decal Handle Lft Height Adjust
	186996		Manual Owner's (English)
	186997		Manual Owner's (French)



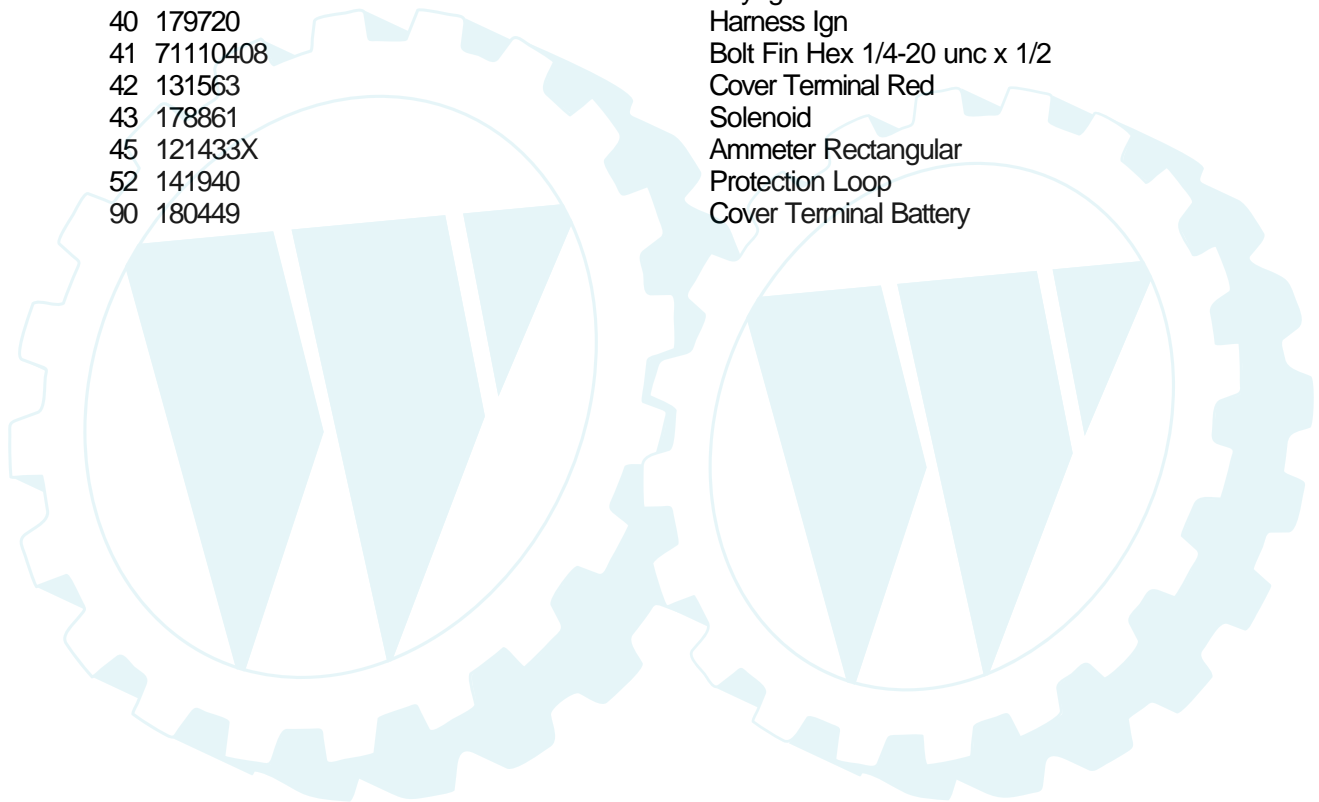
Ref #	Part Number	Qty	Description
	1		Transaxle (Order parts from transaxle manufacturer) Hydro gear Model 336-0510
6	17060512		Screw 5/16-18 x 3/4
9	179334		Clutch Elec
15	74490544		Bolt Hex Flghd 5/16-18 Gr. 5
16	73800500		Nut Lock Hex W/Ins. 5/16-18 Unc
17	126197X		Washer 1-1/2 OD x 15/32 ID x .250
19	73800600		Nut Lock Hex W/Wsh 3/8-16 Unc
22	175896		Rod, Brake
24	73350600		Nut, Hex Jam 3/8-16 Unc
25	106888X		Spring, Brake Rod
26	19131316		Washer
27	76020412		Pin Cotter 1/8 x 3/4 CAD.
28	175765		Rod, Parking Brake
29	71673		Cap, Brake, Park
30	169592		Bracket, Transaxle
32	74760512		Bolt Hex Hd 5/16-18 Unc x 3/4
34	175578		Shaft, Foot Pedal
35	120183X		Bearing, Nylon
36	19211616		Washer
37	1572H		Pin, Roll
38	179114		Pulley, Composite, Flat
39	74760648		Bolt Fin Hex 3/8-16 Unc x 3
41	175556		Keeper, Belt Idler Flat
47	127783		Pulley, Idler, V-Groove
48	154407		Bellcrank Clutch Grnd Drw Stl
49	123205X		Retainer, Belt
50	72110612		Bolt
51	73680600		Nut Crownlock 3/8-16 UNC
52	73680500		Nut, Crownlock 5/16-18 Unc
53	105710X		Link, Clutch
55	105709X		Spring, Return, Clutch
56	17060620		Screw 3/8-16 x 1-1/4
57	140294		V-Belt, Ground Drive
59	169691		Keeper, Center Span
61	17120614		Screw 3/8-16 x .875
62	8883R		Cover, Pedal
63	175410		Pulley, Engine
64	173937		Bolt Hex 7/16-20 x 4 x Gr. 5-1.5
65	10040700		Washer
66	154778		Keeper Belt Engine
70	134683		Guide Belt Mower RH
74	137057		Spacer, Axle
75	121749X		Washer 25/32 x 1-1/4 x 16 Ga.
76	12000001		E-Ring
77	123583X		Key, Square
78	121748X		Washer 25/32 x 1-5/8 x 16 Ga.
95	180825		Rod Bypass
96	4497H		Retainer Spring 1" Zinc/Cad
116	72140608		Bolt RDHD SQNK 3/8-16 Unc x 1
120	73900600		Nut Lock Flg 3/8-16 Unc
150	175456		Spacer Retainer
151	19133210		Washer 13/32 x 2 x 10 Ga.
202	72110614		Bolt Carr Sh 3/8-16 x 1-3/4 Gr. 5
212	145212		Nut Hex Flange Lock
214	174735		Link Transaxle
217	179433		Pedal Assy, Reverse with Pad

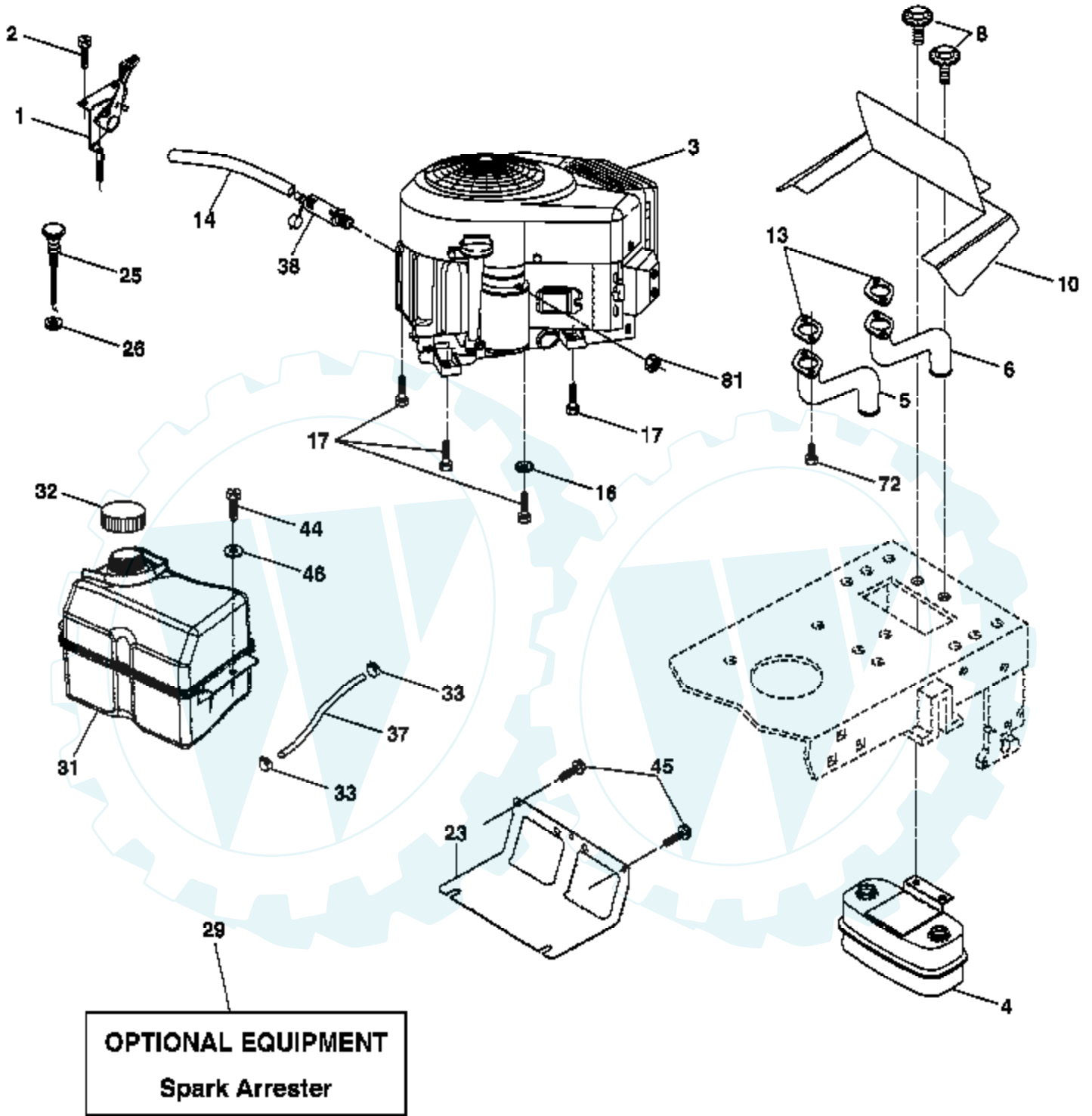
Ref #	Part Number	Qty	Description
218	174713		Arm Control Pedal Reverse
219	174839		Bracket Frest Pdl Ctrl. Hyd
220	174711		Bracket Mtg. Pedal Control
221	72140606		Bolt Rdhd Sqnk 3/8-16 Unc x 3/4
222	73680700		Nut Crownlock 7/16-14 Unc
223	174840		Washer Nylon 11/16 ID x .060
224	174736		Pedal Forward
225	174712		Arm Control Pedal Forward
226	174902		Bolt Pivot Spacer
227	174710		Cam Reverse Pedal LT
228	179032		Bolt Shoulder 5/16-18
229	176451		Washer Serrated 5/16 x .75
231	174573		Strap Torque
241	73930400		Nut Centerlock 1/4-20 Unc
244	166880		Screw 5/16-18 x 5/8
250	17060612		Screw 3/8-16 x .75
251	17060516		Screw 5/16-18 x 1
253	179422		Washer .3125 x .615 x 16 Ga.
254	178062		Clip Retainer
272	17670508		Screw 5/16-18 x 1/2 TT
273	179610		Pad, Reverse Pedal
274	175646		Cover Pedal Forward



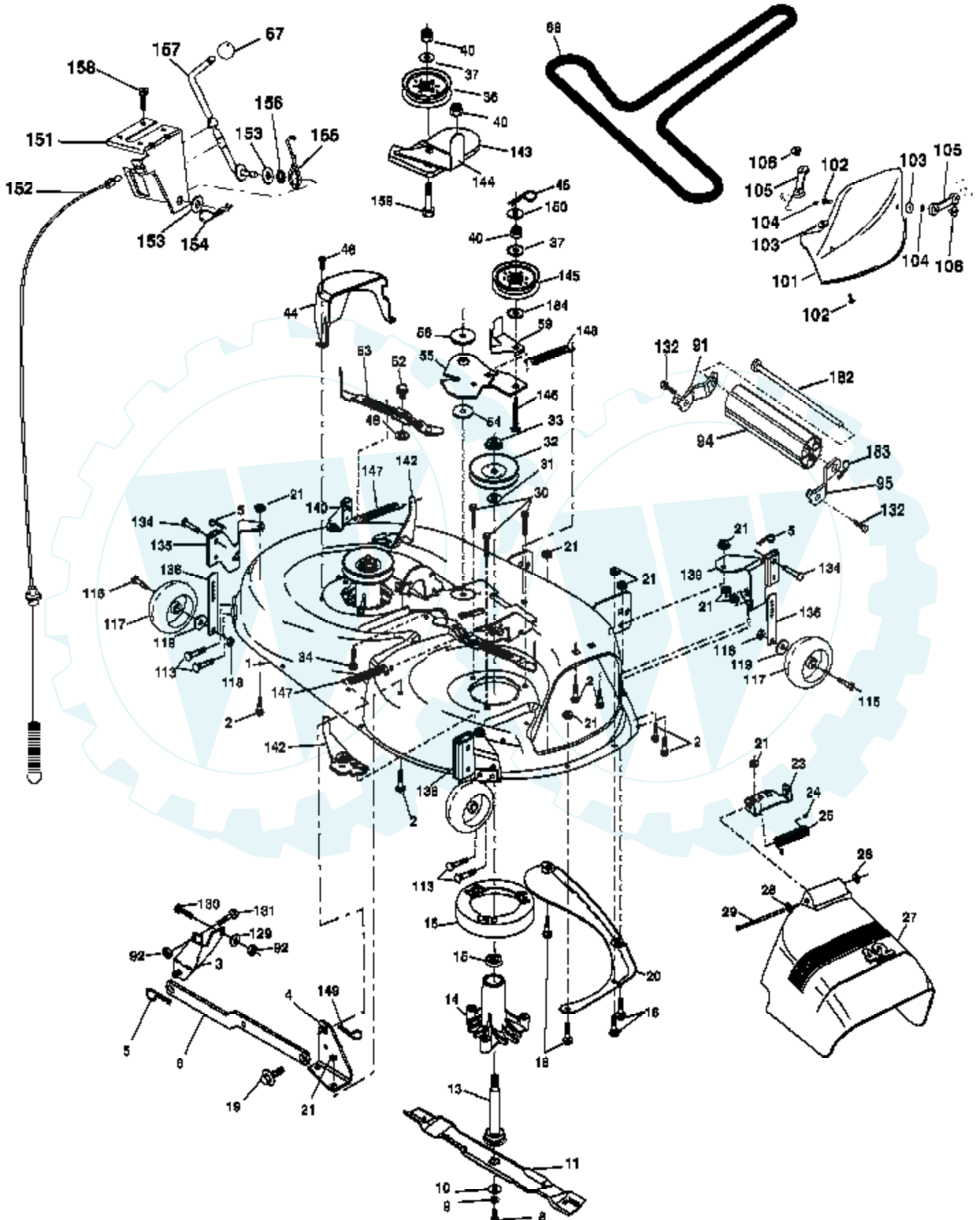


Ref #	Part Number	Qty	Description
1	144927		Battery
2	74760412		Bolt Hex Hd 1/4-20unc X 3/4
8	176689		Box Battery Fender
16	176138		Switch Interlock
21	183759		Harness Socket Light
22	4152J		Bulb, Light #1156
24	4799J		Cable Battery
25	146147		Cable Battery 6 Ga Red w/16 wire
26	175158		Fuse
27	73510400		Nut Keps Hex 1/4-20 Unc
28	4207J		Cable Ground 6ga 12 black
29	121305X		Switch Plunger Nc Gray
30	175566		Switch Ign
33	140401		Key Ign Molded Generic
40	179720		Harness Ign
41	71110408		Bolt Fin Hex 1/4-20 unc x 1/2
42	131563		Cover Terminal Red
43	178861		Solenoid
45	121433X		Ammeter Rectangular
52	141940		Protection Loop
90	180449		Cover Terminal Battery



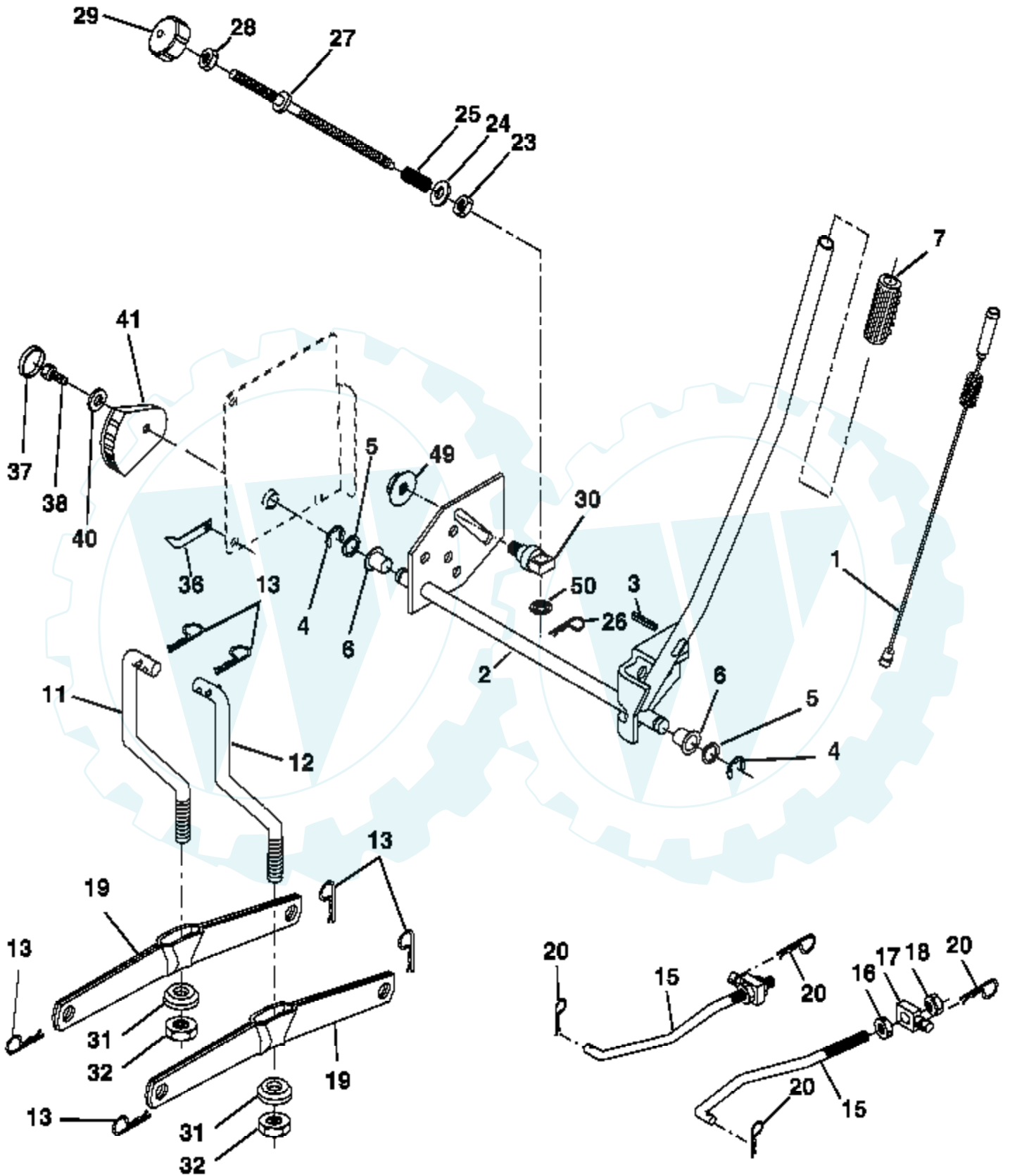


Ref #	Part Number	Qty	Description
1	170771		Control, Throttle
2	17720408		Screw Hex Thd Cut 1/4-20 x 1/2
3			Engine Briggs Model 407777 (Order Parts from Engine Mfg.)
4	149723		Muffler, Asm. Twin Lo-Tone
5	160589		Pipe Exhaust Intek 20 RH
6	159955		Pipe Exhaust Intek 20 LH
8	171877		Bolt 5/16-18 UNC x 3/4 w/Sems
10	162797		Shield Browing B&S Intek II
13	165391		Muffler Gasket
14	148456		Tube Oil Drain
16	11050600		Washer, Lock Ext tooth 3/8
17	17060624		Screw 3/8-16 x 1-1/2
23	169837		Shield, Browning/Debris Guard
25	145996		Control Choke
26	73920600		Nut Keps 3/8-24 UNF
29	137180		Arrester, Spark
31	185534		Tank, Fuel
32	140527		Cap Gauge, Fuel
33	123487X		Clamp, Hose Blk
37	137040		Line, Fuel 7.5
38	181654		Plug Drain Oil Easy
44	17670412		Screw Hex Wsh Thdrol 1/4-20 x 3/4
45	17000612		Screw Hex Wsh Thdrol 3/8-16 x 3/4
46	19091416		Washer 9/32 x 7/8 x 16 Ga.
72	183906		Screw Socket Head 5/16-18 x 1
81	73510400		Nut Keps Hex 1/4-20 Unc

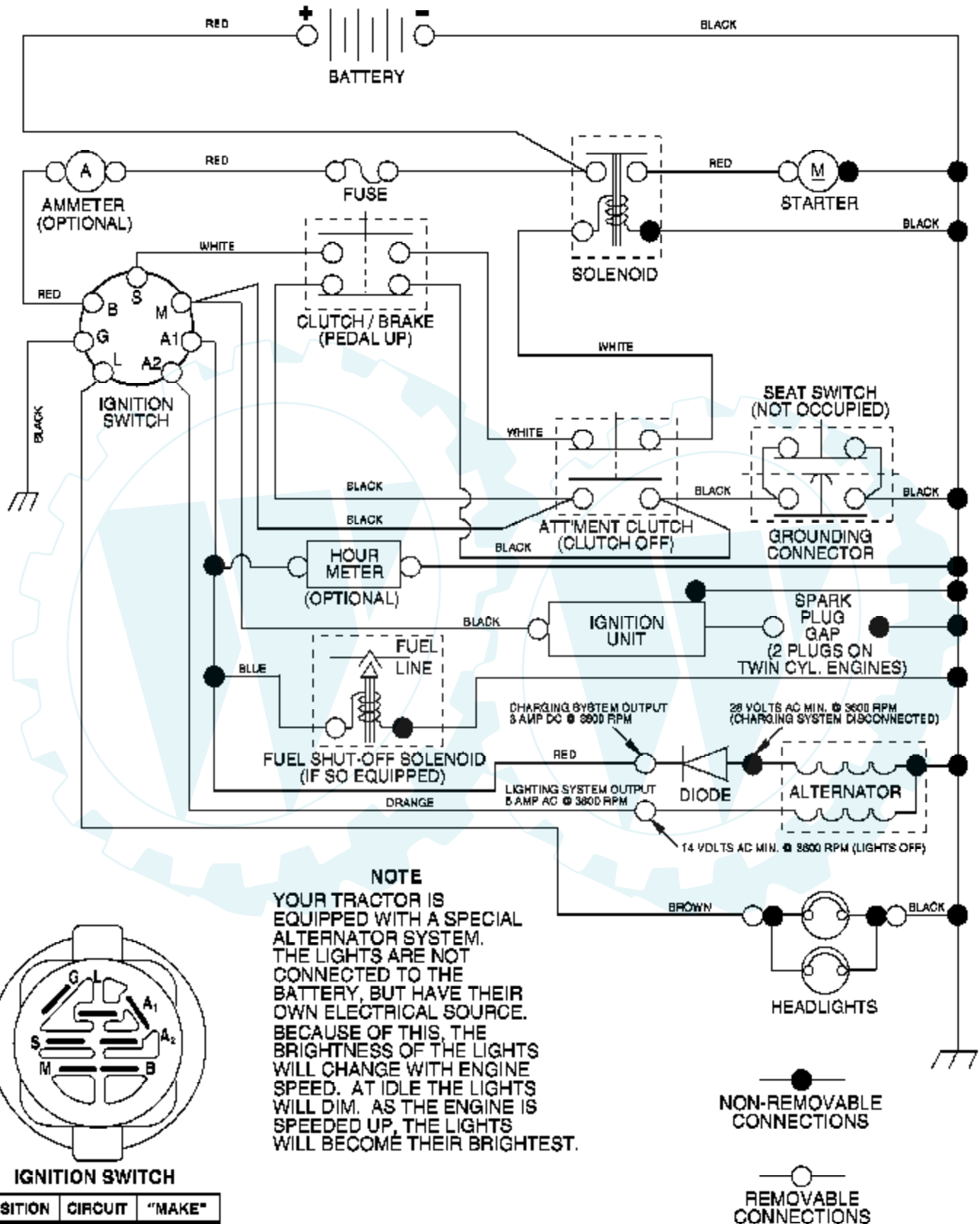


Ref #	Part Number	Qty	Description
1	182032X421		Mower Deck Assembly, 42"
2	72140506		Bolt
3	138017		Bracket Asm Fr. Sway Bar 3/42
4	165460		Bracket Asm Deck 42" Sway Bar
5	4939M		Retainer Spring
6	178024		Bar Sway Deck
8	850857		Bolt 3/8-24 x 25 Grade 8 patched
9	10030600		Washer, Lock
10	140296		Washer, Hardened
11	134149		Blade, Mulching 42" Std (For mulching mowers only) (Available)
	139775		Blade Mulching 42" Premium (For better wear when mulching) (Available)
	138971		Blade Mower 42" Hi-Lift (For bagging and discharging) (Available)
13	137645		Shaft Assembly, Mandrel, Vented
14	128774		Housing, Mandrel, Vented
15	110485X		Bearing, Ball, Mandrel
16	174493		Stripper, Mandrel Deck
18	72140505		Bolt, Carriage 5/16-18 x 5/8
19	132827		Bolt, Shoulder
20	159770		Baffle, Vortex
21	73680500		Nut
23	177563		Bracket, Deflector Mower 42"
24	105304X		Cap, Sleeve 80 x 112 Blk Mower
25	123713X		Spring, Torsion, Deflector 2 52
26	110452X		Nut, Push Phos & Oil
27	130968X428		Shield, Deflector 42" Blk
28	19111016		Washer 11/32 x 5/8 x 16 Gauge
29	131491		Rod, Hinge 42" 6 75 W/G
30	173984		Screw Thdrol
31	129963		Washer, Spacer Mower Vented
32	173436		Pulley, Mandrel
33	178342		Nut, Toplock
34	72110614		Bolt
36	173438		Pulley, Idler, Flat
37	19131316		Washer 13/32 x 13/16 x 16 Gauge
40	73680600		Nut
44	140088		Guard, Mandrel, LH
45	4497H		Retainer
46	137729		Screw, Thdrol 1/4-20 x 5/8 T
48	133944		Washer, Hardened
52	139888		Bolt, Shoulder 5/16-18 Unc
53	184907		Arm Assembly, Pad, Brake
54	178515		Washer, Hardened
55	155046		Arm, Idler
56	122052X		Spacer, Retainer
59	173442		Guard TUV Idler
67	171598		Knob Round
68	144959		V-Belt, 42" Mower
91	180532		Bracket Asm Noseroller LH
92	73800600		Nut Lock Hex w/Ins 3/8-16 Unc
94	132264		Roller Nose 38 & 42
95	180533		Bracket Asm Noseroller RH
101	136420		Mulcher Cover
102	71081010		Screw, Pan Head Phillip 10-24 x 5/8

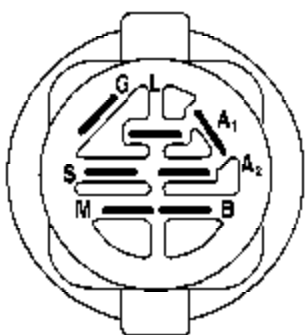
Ref #	Part Number	Qty	Description
103	19061216		Washer, Flat
104	10071000		Washer, Lock
105	160793		Latch Assembly
106	2029J		Nut, Weld
113	17060512		Screw 5/16-18 x 3/4
116	184219		Bolt, Shoulder
117	133957		Wheel, Gauge
118	73930600		Nut Centerlock 3/8-16
119	19121414		Washer 3/8 x 7/8 x 14 Ga.
129	19131312		Washer 13/32 x 13-16 x 12 Ga
130	74780616		Bolt Fin Hex 3/8-16 x 1 Gr. 5
131	72140608		Bolt RDHD SQNK 3/8-16 x 1
132	17000612		Screw 3/8-16 x .75
134	156941		Pin Head Rivet
135	159765X421		Bracket Asm. Whl Ga. R LH
136	155986		Bar Adjusting Gauge Wheel
138	159763X421		Bracket Asm Whl Ga. R RH
139	159767X421		Bracket Asm. Whl Ga. F RH
140	159768X421		Bracket Asm Whl Ga. F LH
142	165890		Arm Spring Brake Mower
143	157109		Bracket Arm Idler 42"
144	173441		Keeper Belt 42" Clutch Cable
145	173437		Pulley Idler Flat
146	173443		Bolt Carriage Idler
147	131335		Spring Extension
148	169022		Spring Return Idler
149	165898		Retainer Spring Yellow
150	19091216		Washer 9/32 x 3/4 x 16 Ga.
151	169670		Bracket Clutch Cable
152	169676		Clutch Cable 42"
153	169674		Washer Flat 3/8" Type B
154	169675		Spring Retainer
155	169671		Spring Retention LVR CLTCH CAB
156	169672		Spacer Clutch Cable
157	169669		Rod Clutch Cable 3/8"
158	17720408		Screw Hex Thd Cut 1/4-20 x 1/2
159	72140614		Bolt Rdhd Sqn 3/8-16 Unc x 1-3/4
182	179126		Rod Roller Nose
183	163552		Retainer Spring
184	19131410		Washer 13/32 x 7/8 x 10 Ga.
	130794		Mandrel Assembly (Includes Housing Shaft and Shaft Hardware Only - Pulley Not Included)
	184563		Replacement Mower, Complete (Std. Deck - Order separately mulcher cover, nose roller and gauge wheel components Key Nos. 101-106, 91, 94, 95, 132, 182, 183, 5, 116-119, 134, 136)



Ref #	Part Number	Qty	Description
1	184432		Wire Asm Inner/Sprg W/plunger LT
2	159476		Shaft Asm Lift RH w/Inf
3	178981		Pin Groove 2"
4	12000002		E Ring #5133-62
5	19211621		Washer 21/32 X 1 X 21 Ga
6	120183X		Bearing Nylon Blk 629 Id
7	175830		Grip Handle
11	139865		Link Lift LH Fixed Length
12	139866		Link Lift RH Fixed Length
13	4939M		Retainer Spring
15	173288		Link Front
16	73350800		Nut Jam Hex 1/2-13 Unc
17	175689		Trunnion
18	73800800		Nut Lock W/Wsh 1/2-13 Unc
19	139868		Arm Suspension Rear
20	163552		Retainer Spring
23	110807X		Nut Special
24	19131016		Washer 13/32 X 5/8 X 16 Ga
25	2876H		Spring 2-1/8"
26	169484		Retainer Clip
27	126971X		Rod Adj Lift Zinc 7.49 Wrk Lg
28	73350600		Nut Hex Jam 3/8-16 Unc
29	138057		Knob Inf 3/8-16 Unc Blk W/sym
30	150233		Trunnion Infin Height
31	169865		Bearing Pvt Lift
32	73540600		Nut Crownlock 3/8 - 24
36	155097		Pointer Height Indicator
37	123935X		Plug Hole Blk 1.485/1.515 Dia.
38	17060516		Screw 5/16-18 x 1
40	19112410		Washer 11/32 x 1-1/2 10 Ga.
41	155098		Indicator Height STLT
49	145212		Nut Hex Flange Lock
50	110452X		Nut PUSh Phos & Oi



NOTE
YOUR TRACTOR IS EQUIPPED WITH A SPECIAL ALTERNATOR SYSTEM. THE LIGHTS ARE NOT CONNECTED TO THE BATTERY, BUT HAVE THEIR OWN ELECTRICAL SOURCE. BECAUSE OF THIS, THE BRIGHTNESS OF THE LIGHTS WILL CHANGE WITH ENGINE SPEED. AT IDLE THE LIGHTS WILL DIM. AS THE ENGINE IS SPEEDED UP, THE LIGHTS WILL BECOME THEIR BRIGHTEST.

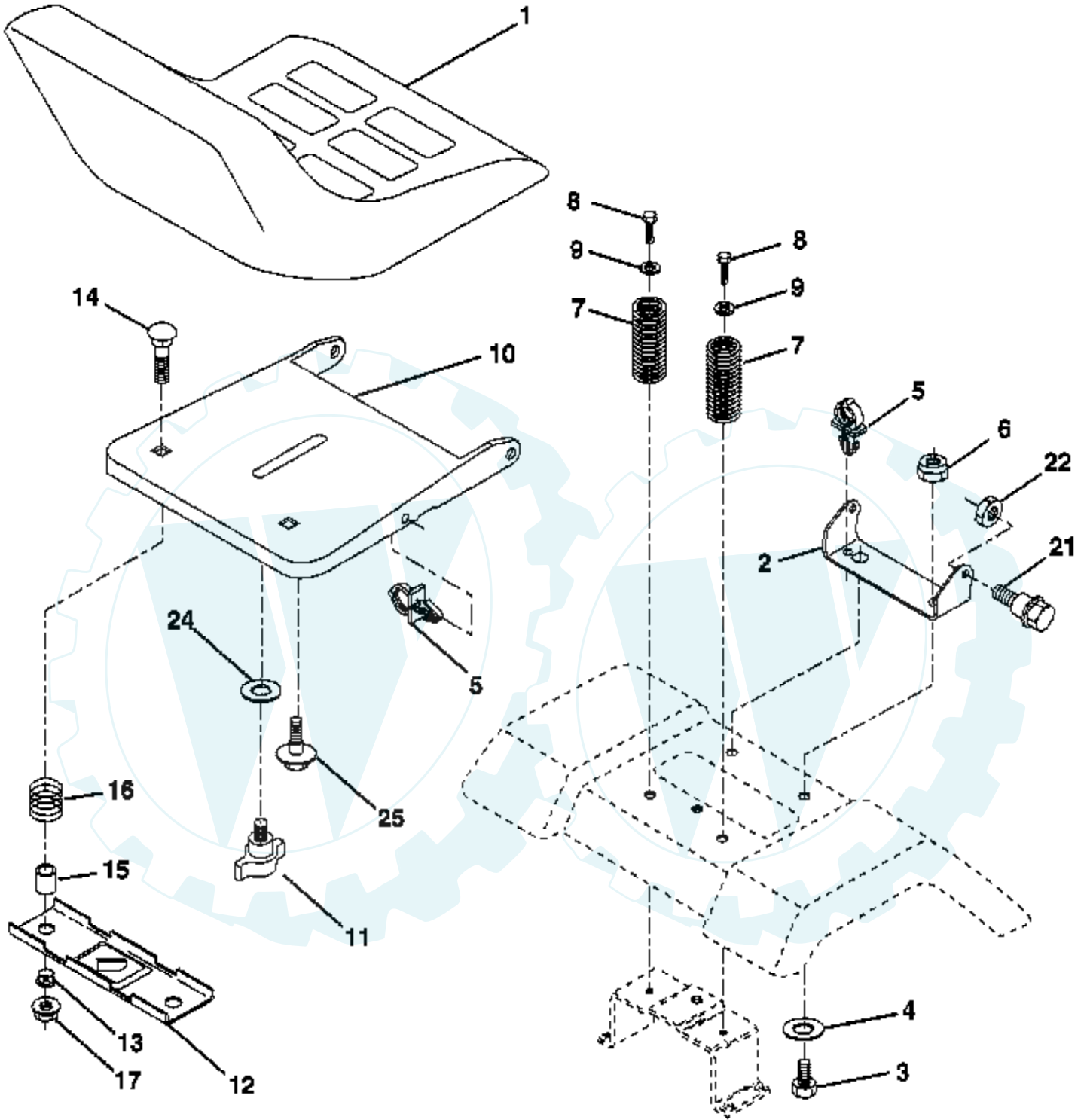


IGNITION SWITCH

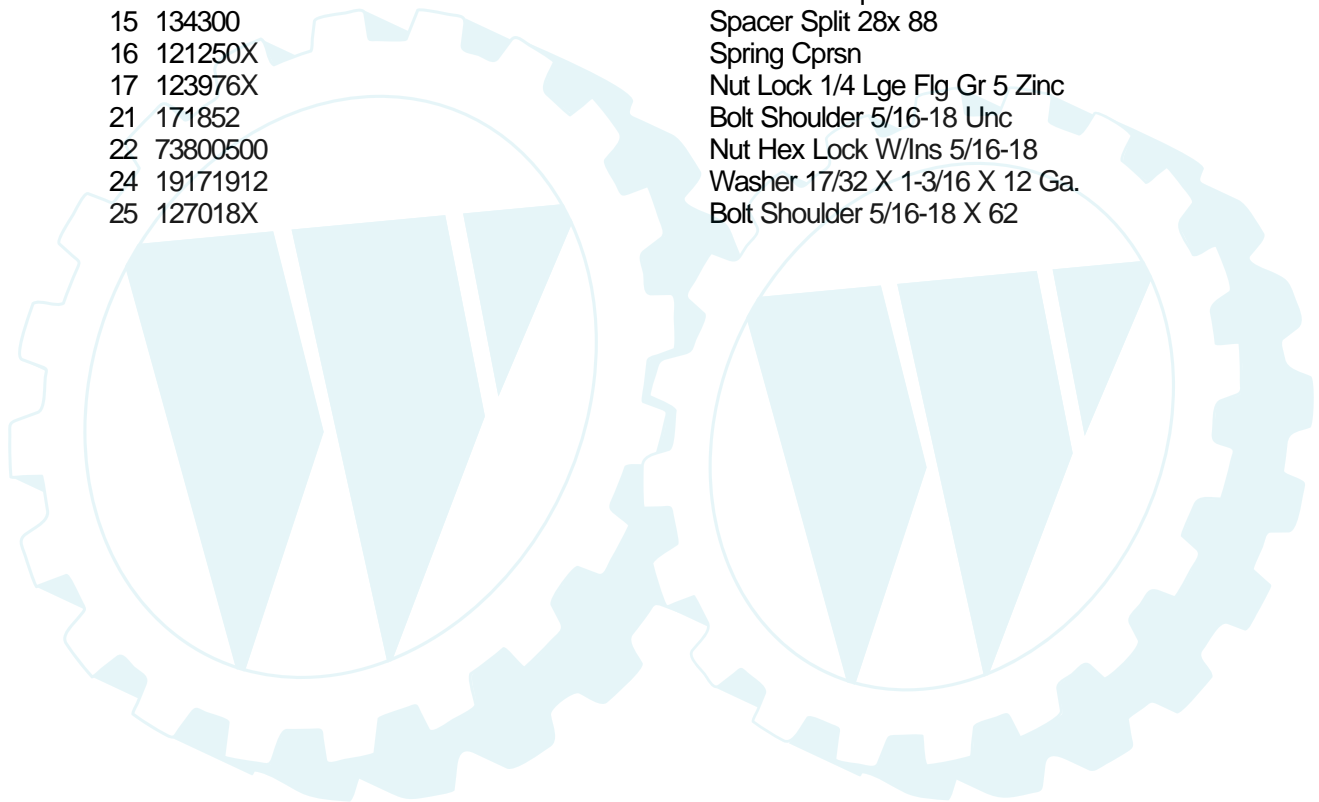
POSITION	CIRCUIT	"MAKE"
OFF	M+G+A1	NONE
RUN/LIGHT	B+A1	A2+L
RUN	B+A1	NONE
START	B + S + A1	NONE

WIRING INSULATED CLIPS

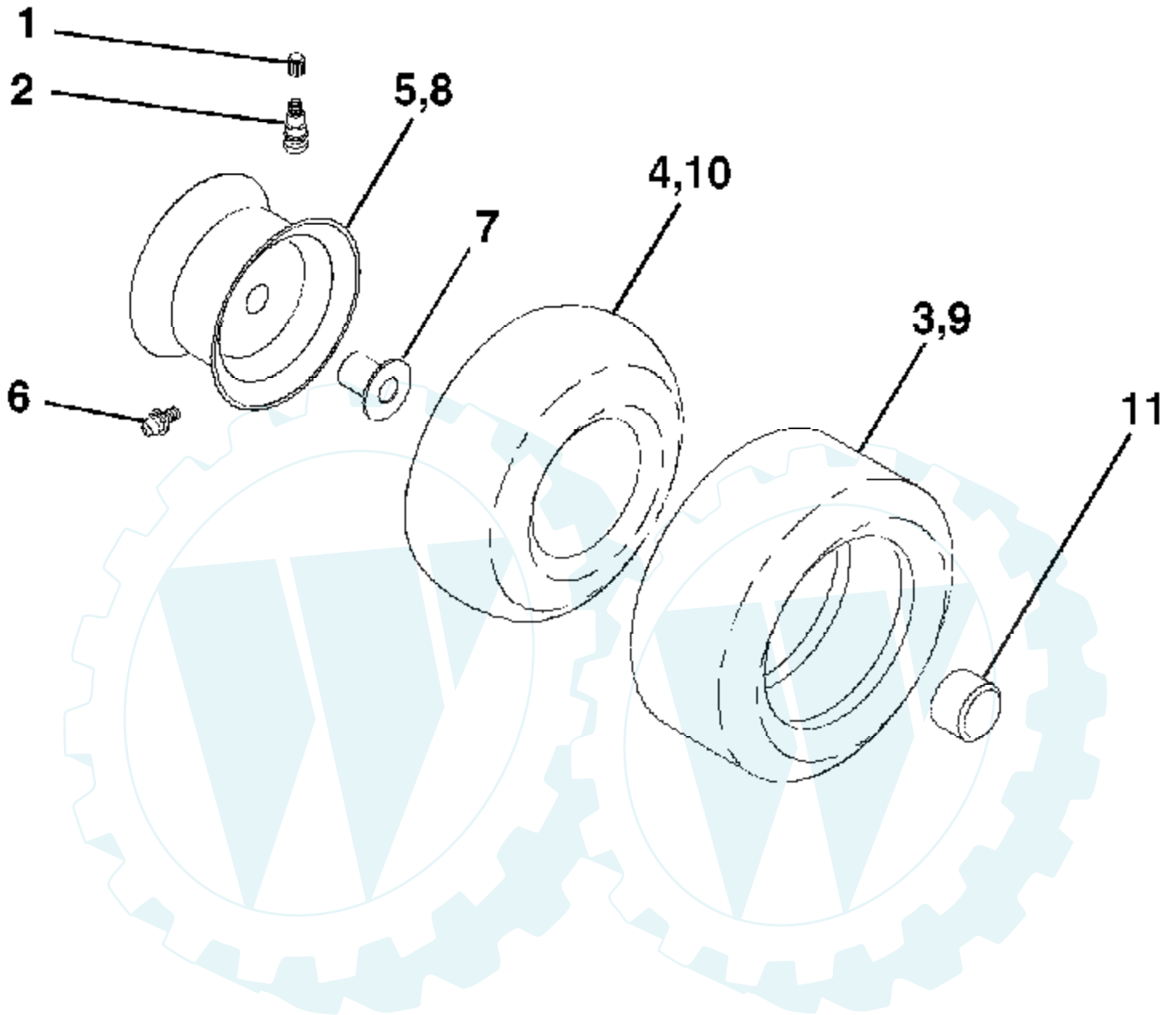
NOTE: IF WIRING INSULATED CLIPS WERE REMOVED FOR SERVICING OF UNIT, THEY SHOULD BE REPLACED TO PROPERLY SECURE YOUR WIRING.



Ref #	Part Number	Qty	Description
1	171683		Seat
2	140551		Bracket Pivot Seat 8 720
3	71110616		Bolt Fin Hex 3/8-16unc X 1
4	19131610		Washer 13/32 X 1 X 10 Ga
5	145006		Clip Push-In
6	73800600		Nut Hex w/Ins. 3/8-16 Unc
7	124181X		Spring Seat Cprsn 2 250 Blk Zi
8	17000616		Screw 3/8-16 x 1.5 Smgml
9	19131614		Washer 13/32 X 1 X 14 Ga.
10	182493		Pan Seat
11	166369		Knob Seat
12	121246X		Bracket Mounting Switch
13	121248X		Bushing Snap Blk Nyl 50 Id
14	72050412		Bolt Rdhd Sqnk 1/4-20x1-1/2
15	134300		Spacer Split 28x 88
16	121250X		Spring Cprsn
17	123976X		Nut Lock 1/4 Lge Flg Gr 5 Zinc
21	171852		Bolt Shoulder 5/16-18 Unc
22	73800500		Nut Hex Lock W/Ins 5/16-18
24	19171912		Washer 17/32 X 1-3/16 X 12 Ga.
25	127018X		Bolt Shoulder 5/16-18 X 62



Ref #	Part Number	Qty	Description
1	180656		Wheel Steering
2	184706		Axle Asm
3	169840		Spindle Asm LH
4	169839		Spindle Asm RH
5	6266H		Bearing Race Thrust Harden
6	121748X		Washer 25/32 X 1-5/8 X 16 Ga
8	12000029		Ring Klip #t5304-75
10	175121		Link Drag
11	10040600		Washer Lock Hvy Hlcl Spr 3/8
12	73940800		Nut Hex Jam Toplock 1/2-20 UNF
13	136518		Spacer Brg Axle Front
15	145212		Nut Hex Flange Lock
17	180641		Shaft Asm Steering
29	17060612		Screw 3/8-16 x .75
32	171888		Rod Tie
33	19111216		Washer 11/32 x 3/4 x 16 Ga
34	10040500		Washer Lock Hvy Hlcl Spr 5/16
35	73540500		Crownlock Nut 5/16-24 Unf
36	155099		Bushing Strg
37	152927		Screw
38	180657		Insert Cap Strg Wh
39	19182411		Washer 9/16 X 1 1/20 X 11 Ga
40	7810H		Lock nut
41	159945		Adaptor Wheel Strg
42	145054X428		Boot Steering Dash
43	121749X		Washer 25/32 X 1 1/4 X 16 Ga
44	180640		Extension Steering Shaft
46	121232X		Cap Spindle Fr Top Blk
51	73540400		Nut Crownlock 1/4-28
54	71130420		Bolt Hex 1/4-28 UNF x 1-1/4 Gr. 8
65	160367		Spacer Brace Axle
67	72140618		Bolt Rdhd Sq 3/8-16 Unc x 2-3/4
71	175146		Steering Asm
68	169827		Axle, Brace
82	169835		Bracket Susp Chassis Front
87	173966		Washer Flat .781 x 1-1/2 x .14
88	175118		Bolt Shoulder 7/16-20 Unc
91	175553		Clip Steering



Ref #	Part Number	Qty	Description
1	59192		Cap Valve Tire
2	65139		Stem Valve
3	170455		Tire F T 15 X 6 0 - 6 Service
4	59904		Tube Front (Service Item Only)
5	106732X421		Rim Asm 6" front Service
6	278H		Fitting Grease (Front Wheel Only)
7	9040H		Bearing Flange (Front Wheel Only)
8	106108X421		Rim Asm 8" rear Service
9	170456		Tire R T 20x10-8 Service
10	7152J		Tube Rear (Service Item Only)
11	104757X421		Cap Axle Blk 1 50 X 1 00
	144334		Sealant, Tire (10 oz. Tube)

