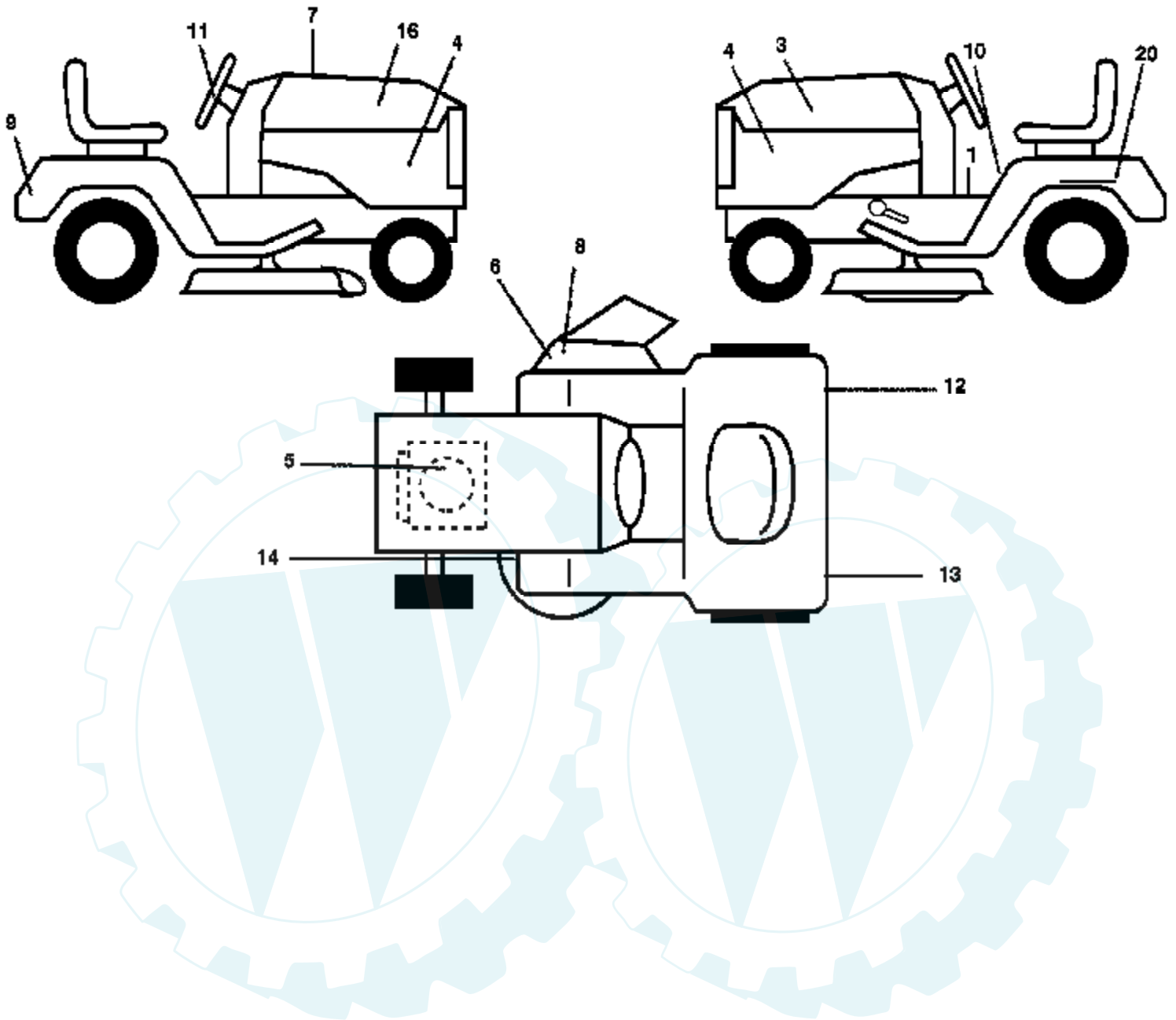
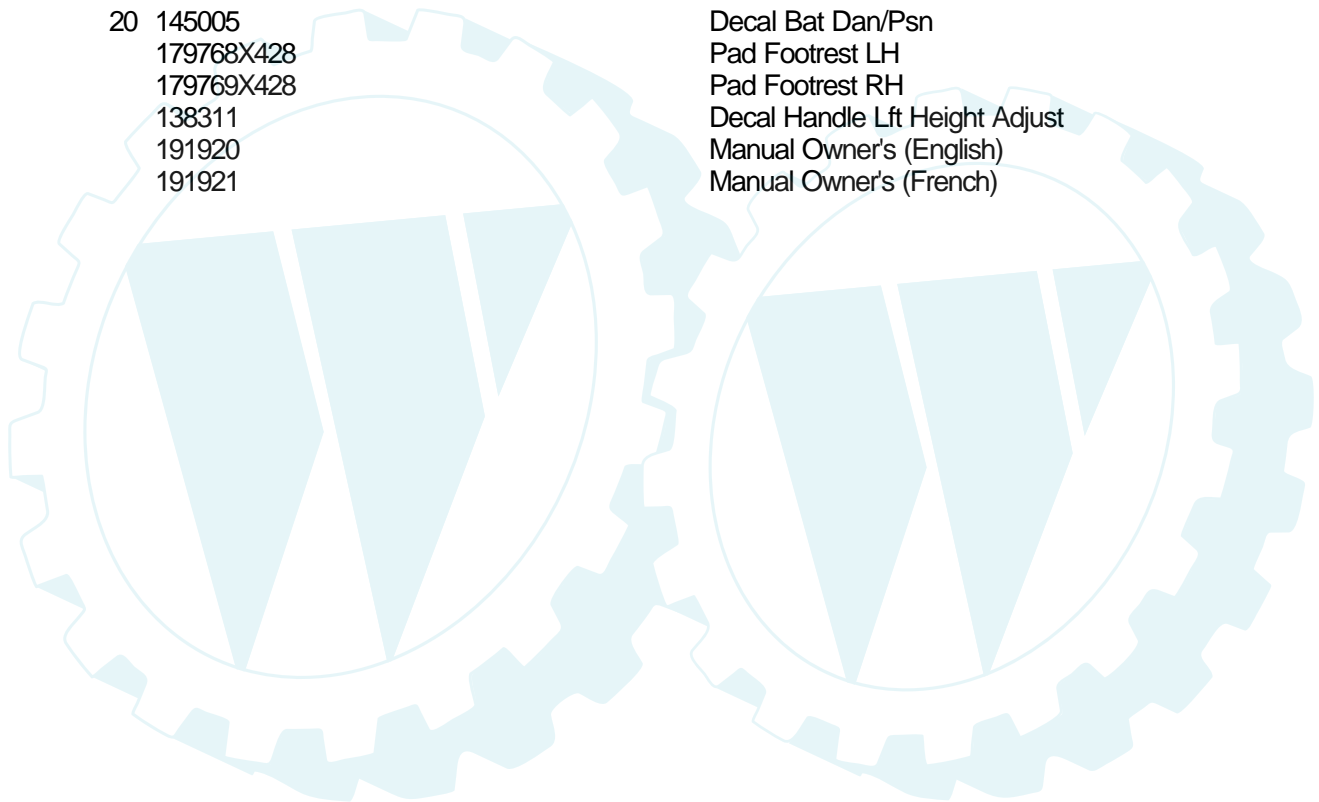
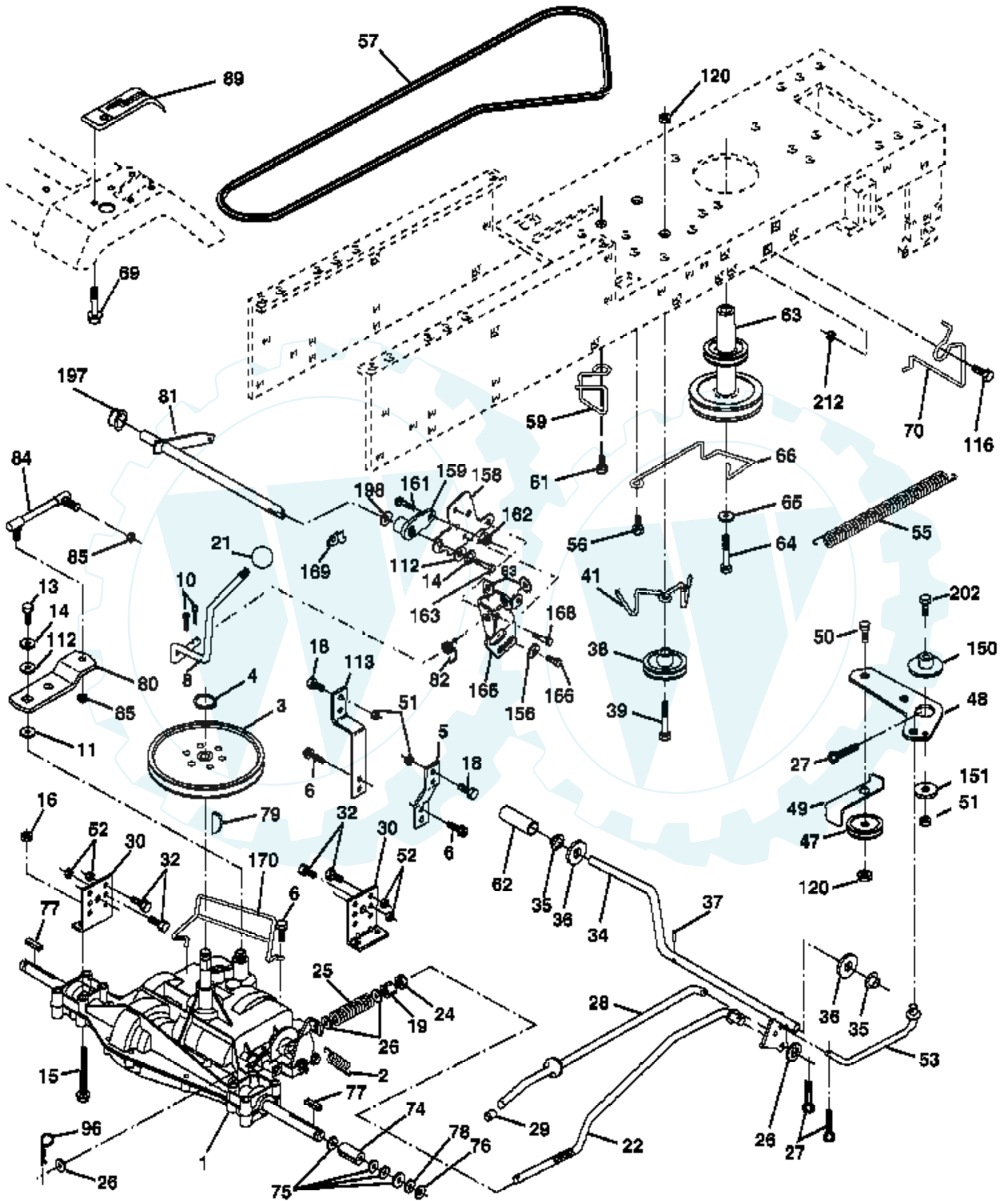


| Ref # | Part Number | Qty | Description                                     |
|-------|-------------|-----|---|
| 1     | 174619      |     | Chassis   |
| 2     | 176554      |     | Drawbar   |
| 5     | 155272      |     | Bumper Hood/Dash                                |
| 9     | 187846X012  |     | Dash P/L  |
| 10    | 72140608    |     | Bolt Carriage 3/8-16 x 1                        |
| 11    | 174996      |     | Panel Dash Lh                                   |
| 13    | 179174X010  |     | Panel Dash Rh                                   |
| 14    | 17490608    |     | Screw Thdrol 3/8-16 x 1/2                       |
| 17    | 183393X428  |     | Hood  |
| 18    | 126938X     |     | Bumper Hood                                     |
| 24    | 74780616    |     | Bolt Fin Hex 3/8-16 unc x 1 Gr. 5               |
| 26    | 73800600    |     | Nut Lock Hex W/Ins 3/8-16 unc                   |
| 28    | 183828      |     | Grille/Lens Asm (Includes Key Nos. 258 and 264) |
| 30    | 169470X428  |     | Fender  |
| 31    | 136619      |     | Bracket Fender                                  |
| 33    | 179716X428  |     | Footrest LH                                     |
| 34    | 179717X428  |     | Footrest RH                                     |
| 35    | 72110606    |     | Bolt RDHD SHT SQNK 3/8-16 x 3/4                 |
| 37    | 17490508    |     | Screw Thdrol 6/16-18 x 1/2 TYT                  |
| 38    | 175710      |     | Bracket Asm Pivot Mower Rear                    |
| 39    | 174714      |     | Bracket Pivot                                   |
| 58    | 184322      |     | Duct Air  |
| 64    | 154798      |     | Dash Lower STLT                                 |
| 114   | 158112      |     | Keeper Belt Rear LH                             |
| 115   | 17490620    |     | Screw THDROL 3/8-16 x 1-1/4                     |
| 142   | 175702      |     | Plate Reinforcement STLT                        |
| 145   | 156524      |     | Rod Pivot Chassis/Hood                          |
| 159   | 169473X428  |     | Cupholder                                       |
| 166   | 171875      |     | Screw Hwhd Hi-Lo #13-16 x 3/4                   |
| 206   | 170165      |     | Bolt Shoulder 5/16-18                           |
| 208   | 17670608    |     | Screw Thdrol 3/8-16 x 1/2                       |
| 209   | 17000612    |     | Screw Hexwsh Thdr 3/8-16 x 3/4                  |
| 211   | 145212      |     | Nut Hex Flange Lock                             |
| 258   | 183835X599  |     | Lens Grille Pro RH                              |
| 259   | 183834X599  |     | Lens Grille Pro LH                              |
| 261   | 183829Z428  |     | Insert Grille                                   |
| 263   | 183832      |     | Bezel Grille LH                                 |
| 264   | 183833      |     | Bezel Grille RH                                 |
|       | 5479J       |     | Plug BTN BI K                                   |
|       | 187801      |     | Plug Domed Plastic                              |



| Ref # | Part Number | Qty | Description                    |
|-------|-------------|-----|--------------------------------|
| 1     | 156369      |     | Decal Oper                     |
| 3     | 186164      |     | Decal Hood LH                  |
| 4     | 189290      |     | Decal Side Panel Logo          |
| 5     | 189288      |     | Decal HP Engine                |
| 6     | 170563      |     | Decal Warning, Keep Hand Away  |
| 7     | 189340      |     | Decal Replacement Parts        |
| 8     | 179128      |     | Decal Deck "B" 42"             |
| 9     | 172740      |     | Decal Fender Logo              |
| 10    | 157140      |     | Decal Fender Danger E/F        |
| 11    | 172743      |     | Decal Ins Strg Whl             |
| 12    | 173587      |     | Decal Fend Reflector Rh        |
| 13    | 173589      |     | Decal Fend Reflector Lh        |
| 14    | 160396      |     | Decal V-Belt Schematic         |
| 16    | 186163      |     | Decal Hood Rh                  |
| 20    | 145005      |     | Decal Bat Dan/Psn              |
|       | 179768X428  |     | Pad Footrest LH                |
|       | 179769X428  |     | Pad Footrest RH                |
|       | 138311      |     | Decal Handle Lft Height Adjust |
|       | 191920      |     | Manual Owner's (English)       |
|       | 191921      |     | Manual Owner's (French)        |





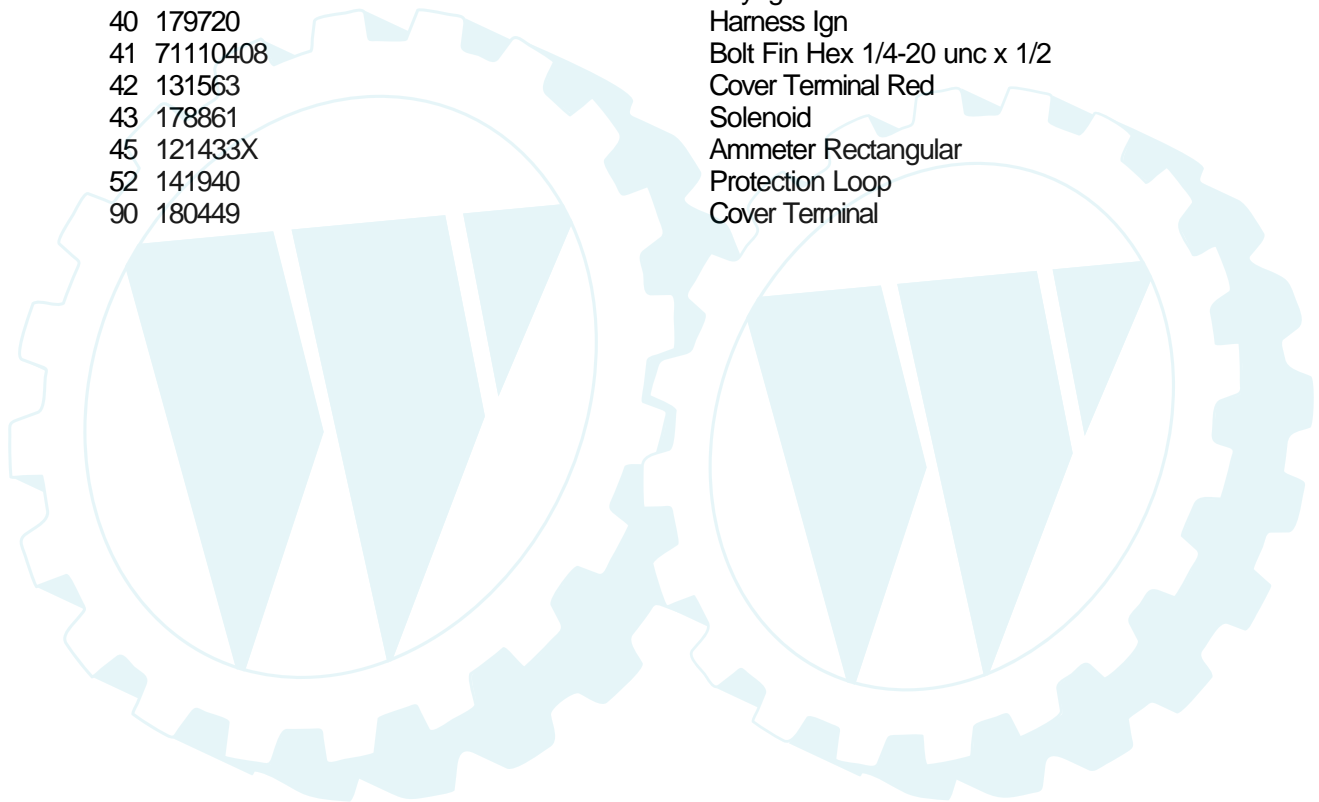
| Ref # | Part Number | Qty | Description   |
|-------|-------------|-----|---|
| 1     |             |     | Transaxle Peerless (206-545C) (Order parts from transaxle manufacturer) |
| 2     | 146682      |     | Spring Return Brake T/a Zinc  |
| 3     | 123666X     |     | Pulley Transaxle 18" tires  |
| 4     | 12000028    |     | Ring Retainer # 5100-62   |
| 5     | 121520X     |     | Strap Torque 30 Degrees   |
| 6     | 17060512    |     | Screw 5/16-18 x 3/4   |
| 8     | 165619      |     | Rod Shift Fender Adjust Lt  |
| 10    | 76020416    |     | Pin Cotter 1/8 x 1 Cad  |
| 11    | 105701X     |     | Washer Plate Shf 388 Sq Hole  |
| 13    | 74550412    |     | Bolt 1/4-28 Unf Gr 8 W/Patch  |
| 14    | 10040400    |     | Washer Lock Hvy Helical   |
| 15    | 74490544    |     | Bolt Hex FLGHD 5/16-18 Gr. 5  |
| 16    | 73800500    |     | Nut Lock Hex w/ins 5/16-18  |
| 18    | 74780616    |     | Bolt, Fin Hex 3/8-16 unc x 1 Gr. 5                                      |
| 19    | 73800600    |     | Nut Lock 3/8-16 unc   |
| 21    | 140845      |     | Knob  |
| 22    | 130804      |     | Rod Brake Blk Zinc 26 840   |
| 24    | 73350600    |     | Nut Hex Jam 3/8-16 unc  |
| 25    | 106888X     |     | Spring Rod Brake 2 00 Zinc  |
| 26    | 19131316    |     | Washer 13/32 x 13/16 x 16 Ga.   |
| 27    | 76020412    |     | Pin Cotter 1/8 x 3/4 Cad  |
| 28    | 175765      |     | Rod Brake Parking LT/YT   |
| 29    | 71673       |     | Cap Brake Parking   |
| 30    | 169592      |     | Bracket Mtg Transaxle   |
| 32    | 74760512    |     | Bolt Hex Hd 5/16-18unc X 3/4  |
| 34    | 175578      |     | Shaft Asm Pedal Foot  |
| 35    | 120183X     |     | Bearing Nylon Blk 629 Id  |
| 36    | 19211616    |     | Washer 21/32 x 1 x 16 Ga.   |
| 37    | 1572H       |     | Pin Roll 3/16 x 1"  |
| 38    | 179114      |     | Pulley Composite Flat   |
| 39    | 72110622    |     | Bolt RDH 3/8-16 unc x 2-3/4 Gr. 5                                       |
| 41    | 175556      |     | Keeper Belt Flat Idler  |
| 47    | 127783      |     | Pulley Idler V Groove Plastic   |
| 48    | 154407      |     | Bellcrank Asm   |
| 49    | 123205X     |     | Retainer Belt Style Spring  |
| 50    | 72110612    |     | Bolt Hex Hd 3/8-16 unc X 1-1/2  |
| 51    | 73680600    |     | Nut Crownlock 3/8-16 unc  |
| 52    | 73680500    |     | Nut Crownlock 5/16-18 unc   |
| 53    | 105710X     |     | Link Clutch   |
| 55    | 105709X     |     | Spring Return Clutch 6 75   |
| 56    | 17060620    |     | Screw 3/8-16 x 1-1/4  |
| 57    | 130801      |     | V-Belt Ground Drive 95 25   |
| 59    | 169691      |     | Keeper Belt Span Ctr  |
| 61    | 17120614    |     | Screw 3/8-16 x .875   |
| 62    | 8883R       |     | Cover Pedal Blk Round   |
| 63    | 175410      |     | Engine Pulley   |
| 64    | 173937      |     | Bolt Hex  |
| 65    | 10040700    |     | Washer Lock Hvy Hlcl Spr 7/16   |
| 66    | 154778      |     | Keeper Belt Engine Foolproof  |
| 69    | 142432      |     | Screw Hex wsh Hi Lo 1/4 x 1/2 unc                                       |
| 70    | 134683      |     | Guide Belt Mower Drive RH   |
| 74    | 137057      |     | Spacer Axle   |
| 75    | 121749X     |     | Washer 25/32 x 1-1/4 x 16 Ga  |
| 76    | 12000001    |     | E-ring #5133-75   |
| 77    | 123583X     |     | Key Square 2 0 x 1845/1865  |
| 78    | 121748X     |     | Washer 25/32 x 5/8 x 16 Ga  |

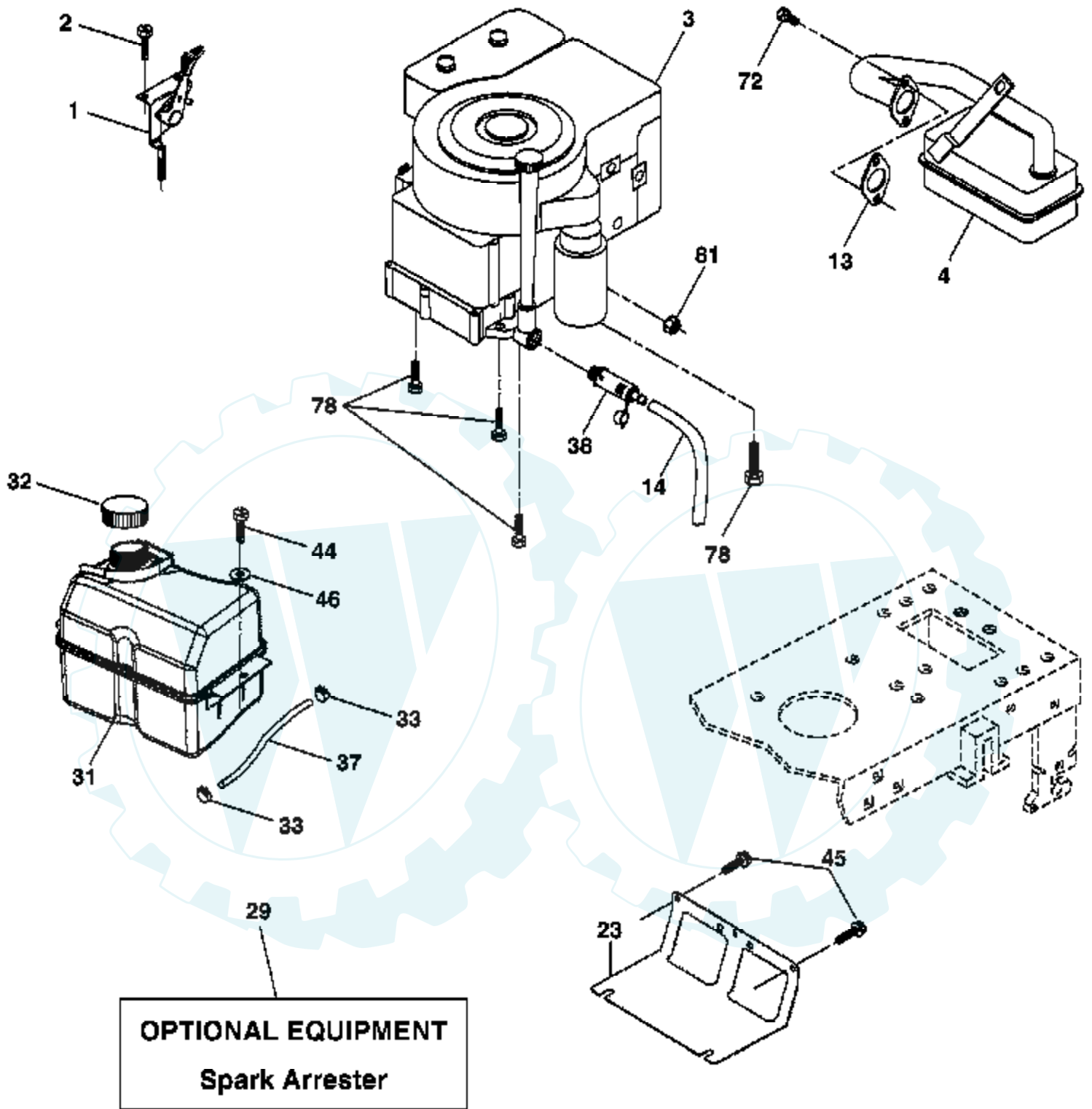
| Ref # | Part Number | Qty | Description                       |
|-------|-------------|-----|-----------------------------------|
| 79    | 2228M       |     | Key Woodruff #9 3/16 x 3/4        |
| 80    | 145090      |     | Arm Shift                         |
| 81    | 165592      |     | Shaft Asm Cross Tapered PMST/20   |
| 82    | 123782X     |     | Spring Torsion T/a                |
| 83    | 19171216    |     | Washer 17/32 x 3/4 x 16 Ga        |
| 84    | 166231      |     | Link Transaxle PMST/20" Zinc      |
| 85    | 150360      |     | Nut Lock Center 1/4 - 28 FNTHD    |
| 89    | 169372X428  |     | Console Shift STL                 |
| 96    | 4497H       |     | Retainer Spring 1"                |
| 112   | 19091210    |     | Washer 9/32 x 3/4 x 10 Ga.        |
| 113   | 127285X     |     | Strap Torque LT                   |
| 116   | 72140608    |     | Bolt Rdhd Sq Neck 3/8-16 x 1      |
| 120   | 73900600    |     | Nut Lock Flg. 3/8-16 unc          |
| 150   | 175456      |     | Spacer Retainer                   |
| 151   | 19133210    |     | Washer 13/32 x 2 x 10             |
| 156   | 166002      |     | Washer Srrted 5/16ID x 1.125      |
| 158   | 165589      |     | Bracket Shift Mount               |
| 159   | 183900      |     | Hub Shift                         |
| 161   | 72140406    |     | Bolt Rdhd Sqnk 1/4-20 x 3/4       |
| 162   | 73680400    |     | Nut Crownlock 1/4-20 unc          |
| 163   | 74780416    |     | Bolt Hex Fin 1/4-20 unc x 1 Gr. 5 |
| 165   | 165623      |     | Bracket Pivot Lever               |
| 166   | 17490510    |     | Screw 5/16-18 x 5/8               |
| 168   | 165492      |     | Bolt Shoulder 5/16-18 x .561      |
| 169   | 165580      |     | Plate Fastening                   |
| 170   | 187414      |     | Keeper Belt Transaxle Gear        |
| 197   | 169613      |     | Nyliner Snap-In                   |
| 198   | 169593      |     | Washer Nyliner                    |
| 202   | 72110614    |     | Bolt Carr Sh 3/8-16 x 1-3/4 Gr. 5 |
| 212   | 145212      |     | Nut Hexflange Lock                |



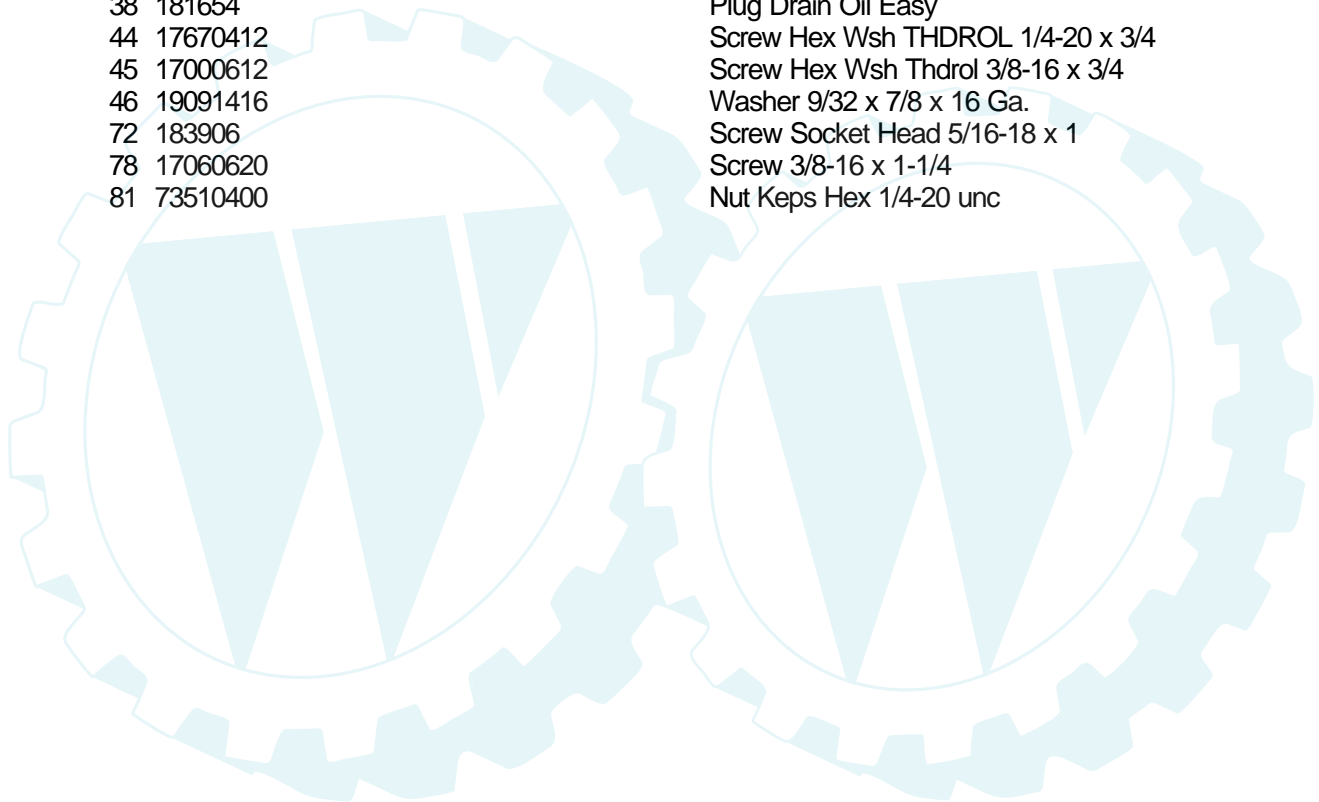


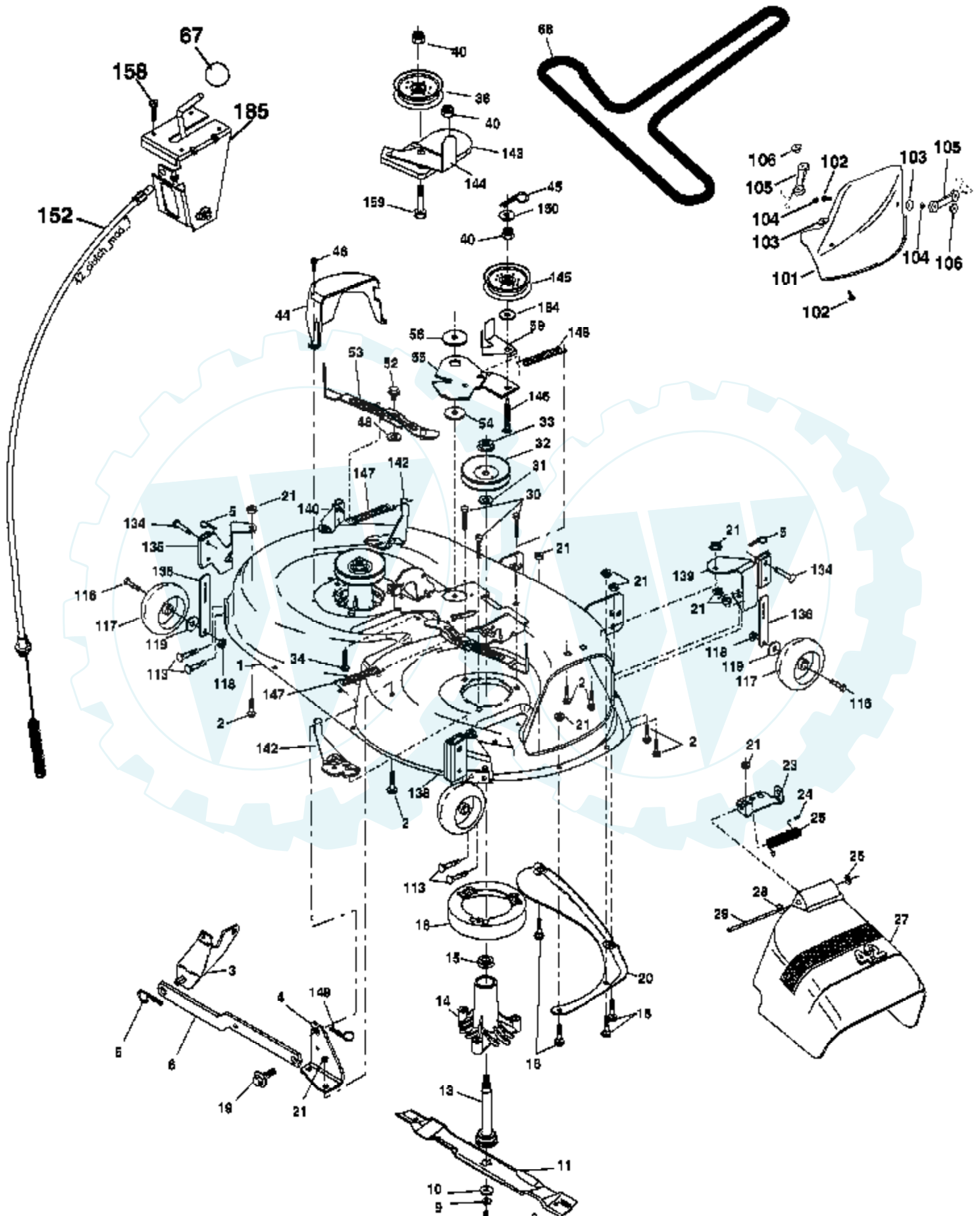
| Ref # | Part Number | Qty | Description                           |
|-------|-------------|-----|---------------------------------------|
| 1     | 163465      |     | Battery                               |
| 2     | 74760412    |     | Bolt Hex Hd 1/4-20 unc x 3/4          |
| 8     | 176689      |     | Box Battery                           |
| 16    | 176138      |     | Switch Interlock                      |
| 21    | 183759      |     | Harness Socket Light                  |
| 22    | 4152J       |     | Bulb, Light # 1156                    |
| 24    | 4799J       |     | Cable Battery                         |
| 25    | 146147      |     | Cable Battery 6 Ga. Red w/16 wire 44" |
| 26    | 175158      |     | Fuse                                  |
| 27    | 73510400    |     | Nut Keps Hex 1/4-20 unc               |
| 28    | 4207J       |     | Cable Ground 12" Blk 6 Ga.            |
| 29    | 121305X     |     | Switch Plunger Nc Gray                |
| 30    | 175566      |     | Switch Ign                            |
| 33    | 140401      |     | Key Ign Molded Generic                |
| 40    | 179720      |     | Harness Ign                           |
| 41    | 71110408    |     | Bolt Fin Hex 1/4-20 unc x 1/2         |
| 42    | 131563      |     | Cover Terminal Red                    |
| 43    | 178861      |     | Solenoid                              |
| 45    | 121433X     |     | Ammeter Rectangular                   |
| 52    | 141940      |     | Protection Loop                       |
| 90    | 180449      |     | Cover Terminal                        |





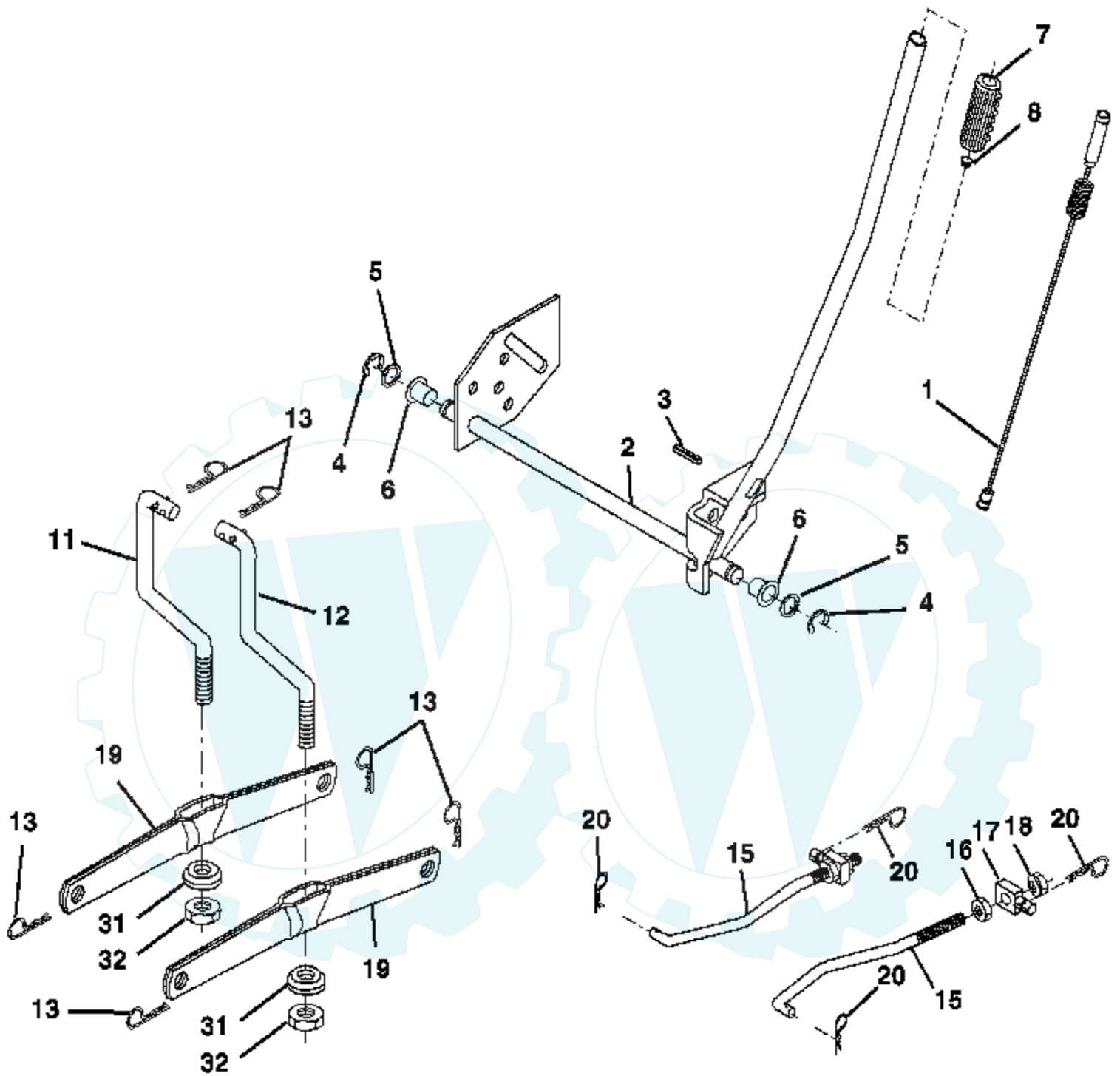
| Ref # | Part Number | Qty | Description   |
|-------|-------------|-----|---|
| 1     | 170551      |     | Control, Throttle   |
| 2     | 17720408    |     | Screw Hex Thd Cut 1/4-20 x 1/2                            |
| 3     |             |     | Engine Briggs Model 31P777 (Order Parts from Engine Mfg.) |
| 4     | 137352      |     | Muffler   |
| 13    | 165291      |     | Muffler Gasket  |
| 14    | 148456      |     | Tube Oil Drain  |
| 23    | 169837      |     | Shield, Browning/Debris Guard                             |
| 29    | 137180      |     | Arrester, Spark   |
| 31    | 185534      |     | Tank, Fuel  |
| 32    | 140527      |     | Cap, Fuel   |
| 33    | 123487X     |     | Clamp, Hose Blk   |
| 37    | 137040      |     | Line, Fuel  |
| 38    | 181654      |     | Plug Drain Oil Easy                                       |
| 44    | 17670412    |     | Screw Hex Wsh THDROL 1/4-20 x 3/4                         |
| 45    | 17000612    |     | Screw Hex Wsh Thdrol 3/8-16 x 3/4                         |
| 46    | 19091416    |     | Washer 9/32 x 7/8 x 16 Ga.                                |
| 72    | 183906      |     | Screw Socket Head 5/16-18 x 1                             |
| 78    | 17060620    |     | Screw 3/8-16 x 1-1/4                                      |
| 81    | 73510400    |     | Nut Keps Hex 1/4-20 unc                                   |



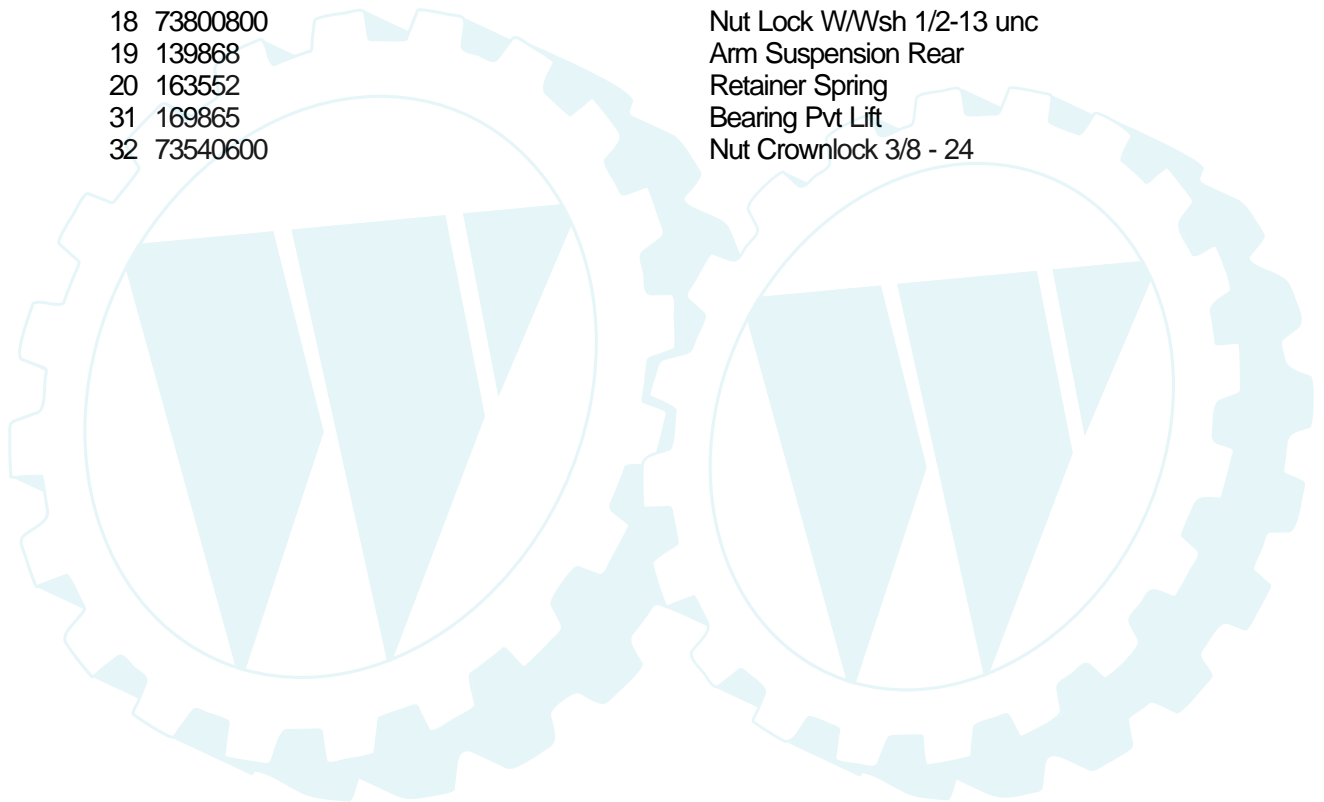


| Ref # | Part Number | Qty | Description  |
|-------|-------------|-----|--|
| 1     | 182032X421  |     | Mower Deck Assembly, 42"                                   |
| 2     | 72140506    |     | Bolt   |
| 3     | 138017      |     | Bracket Asm Fr. Sway Bar 3/42                              |
| 4     | 165460      |     | Bracket Asm Deck 42" Sway Bar                              |
| 5     | 4939M       |     | Retainer Spring  |
| 6     | 178024      |     | Bar Sway Deck  |
| 8     | 850857      |     | Bolt 3/8-24 x 1.25 Gr. 8 patched                           |
| 9     | 10030600    |     | Washer, Lock   |
| 10    | 140296      |     | Washer, Hardened (The following Blades are available)      |
| 11    | 134149      |     | Blade, Mulching 42" Std (For mulching mowers only)         |
|       | 139775      |     | Blade Mulching 42" Premium (For better wear when mulching) |
|       | 138971      |     | Blade Mower 42" Hi-Lift (For bagging and discharging)      |
| 13    | 137645      |     | Shaft Assembly, Mandrel, Vented                            |
| 14    | 128774      |     | Housing, Mandrel, Vented                                   |
| 15    | 110485X     |     | Bearing, Ball, Mandrel                                     |
| 16    | 174493      |     | Stripper, Mandrel Deck                                     |
| 18    | 72140505    |     | Bolt, Carriage 5/16-18 x 5/8                               |
| 19    | 132827      |     | Bolt, Shoulder   |
| 20    | 159770      |     | Baffle, Vortex   |
| 21    | 73680500    |     | Nut  |
| 23    | 177563      |     | Bracket, Deflector Mower 42"                               |
| 24    | 105304X     |     | Cap, Sleeve 80 x 112 Blk Mower                             |
| 25    | 123713X     |     | Spring, Torsion, Deflector 2 52                            |
| 26    | 110452X     |     | Nut, Push Phos & Oil                                       |
| 27    | 130968X428  |     | Shield, Deflector 42" Blk                                  |
| 28    | 19111016    |     | Washer 11/32 x 5/8 x 16 Ga.                                |
| 29    | 131491      |     | Rod, Hinge 42" 6 75 W/G                                    |
| 30    | 173984      |     | Screw Thdrol   |
| 31    | 187690      |     | Washer, Spacer Mower Vented                                |
| 32    | 173436      |     | Pulley, Mandrel  |
| 33    | 178342      |     | Nut, Toplock   |
| 34    | 72110612    |     | Bolt Carr SH 3/8-16 x 1-1/2 Gr.5                           |
| 36    | 173438      |     | Pulley, Idler, Flat  |
| 40    | 73900600    |     | Nut Lock 3/8-16  |
| 44    | 140088      |     | Guard, Mandrel, LH   |
| 45    | 4497H       |     | Retainer   |
| 46    | 137729      |     | Screw, Thdrol 1/4-20 x 5/8 T                               |
| 48    | 133944      |     | Washer, Hardened   |
| 52    | 139888      |     | Bolt, Shoulder 5/16-18 unc                                 |
| 53    | 184907      |     | Arm Assembly, Pad, Brake                                   |
| 54    | 178515      |     | Washer, Hardened   |
| 55    | 155046      |     | Arm, Idler   |
| 56    | 122052X     |     | Spacer, Retainer   |
| 59    | 173442      |     | Guard TUV Idler  |
| 67    | 171598      |     | Knob Round   |
| 68    | 144959      |     | V-Belt, 42" Mower  |
| 101   | 136420      |     | Mulcher Cover  |
| 102   | 71081010    |     | Screw, Pan Hd Phillip 10-24 x                              |
| 103   | 19061216    |     | Washer, Flat   |
| 104   | 10071000    |     | Washer, Lock   |
| 105   | 160793      |     | Latch Assembly   |
| 106   | 2029J       |     | Nut, Weld  |
| 113   | 17060512    |     | Screw 5/16-18 x 3/4  |
| 116   | 184219      |     | Bolt, Shoulder   |
| 117   | 133957      |     | Wheel, Gauge   |
| 118   | 73930600    |     | Nut Centerlock 3/8-16                                      |

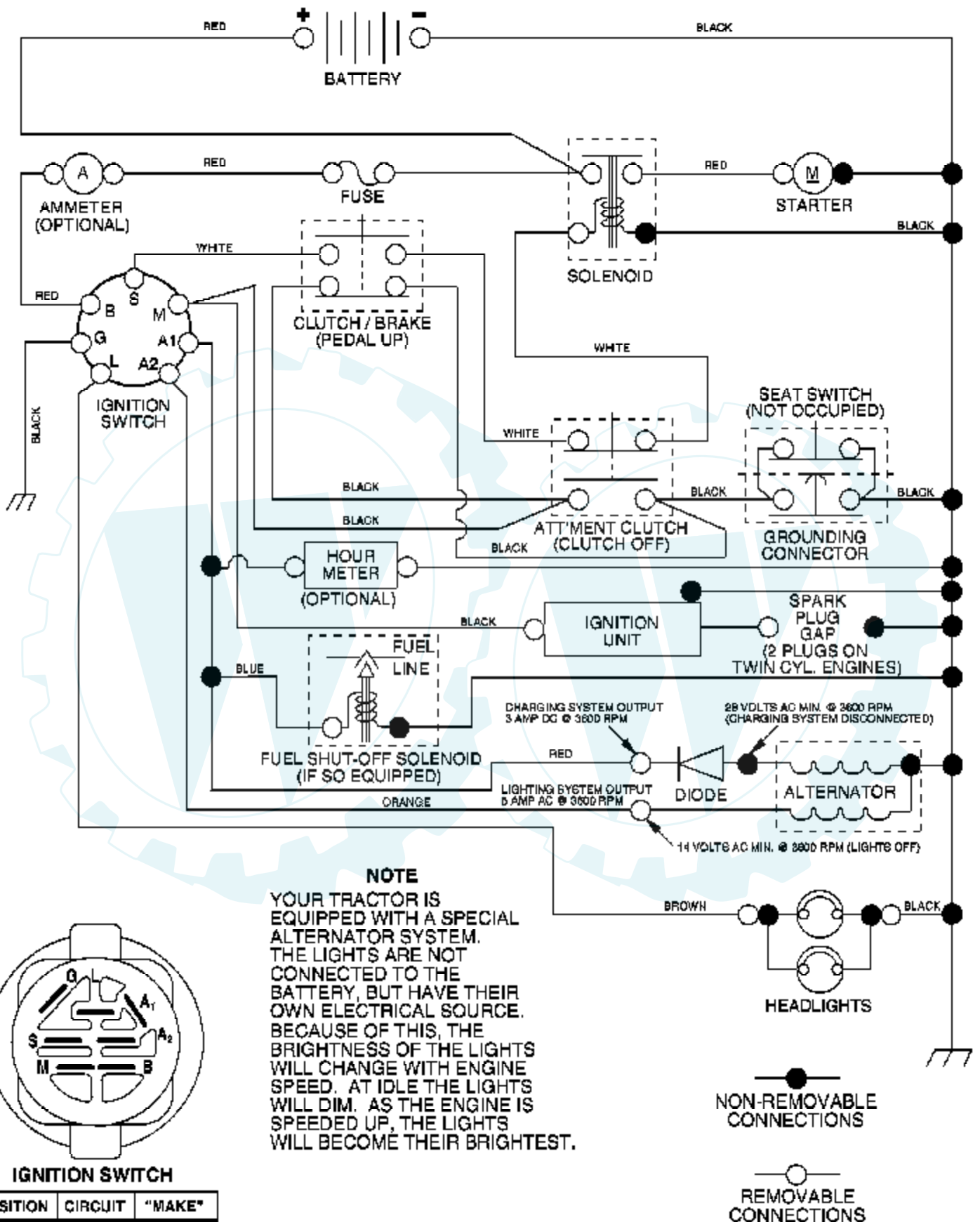
| Ref # | Part Number | Qty | Description  |
|-------|-------------|-----|--|
| 119   | 19121414    |     | Washer 3/8 x 7/8 x 14 Ga.  |
| 134   | 156941      |     | Pin Head Rivet   |
| 135   | 159765X421  |     | Bracket Asm. Whl Ga. R LH  |
| 136   | 155986      |     | Bar Adjusting Gauge Wheel  |
| 138   | 159763X421  |     | Bracket Asm Whl Ga. R RH   |
| 139   | 159767X421  |     | Bracket Asm. Whl Ga. F RH  |
| 140   | 159768X421  |     | Bracket Asm Whl Ga. F LH   |
| 142   | 165890      |     | Arm Spring Brake Mower   |
| 143   | 157109      |     | Bracket Arm Idler 42"  |
| 144   | 173441      |     | Keeper Belt 42" Clutch Cable   |
| 145   | 173437      |     | Pulley Idler Flat  |
| 146   | 173443      |     | Bolt Carriage Idler  |
| 147   | 131335      |     | Spring Extension   |
| 148   | 169022      |     | Spring Return Idler  |
| 149   | 165898      |     | Retainer Spring Yellow   |
| 150   | 19091210    |     | Washer 9/32 x 3/4 x 10 Ga.   |
| 152   | 169676      |     | Clutch Cable 42"   |
| 158   | 17720408    |     | Screw Hex Thd Cut 1/4-20 x 1/2   |
| 159   | 72140614    |     | Bolt Rdhd Sqn 3/8-16 unc x 1-  |
| 184   | 19131410    |     | Washer 13/32 x 7/8 x 10 Ga.  |
| 185   | 188234      |     | Head Asm Cable Clutch  |
|       | 130794      |     | Mandrel Assembly (Includes Housing Shaft and Shaft Hardware Only - Pulley Not Included)  |
|       | 186917      |     | Replacement Mower, Complete (Std. deck Order separately mulcher cover and gauge wheel components Key Nos. 101-106 and 116-119) |

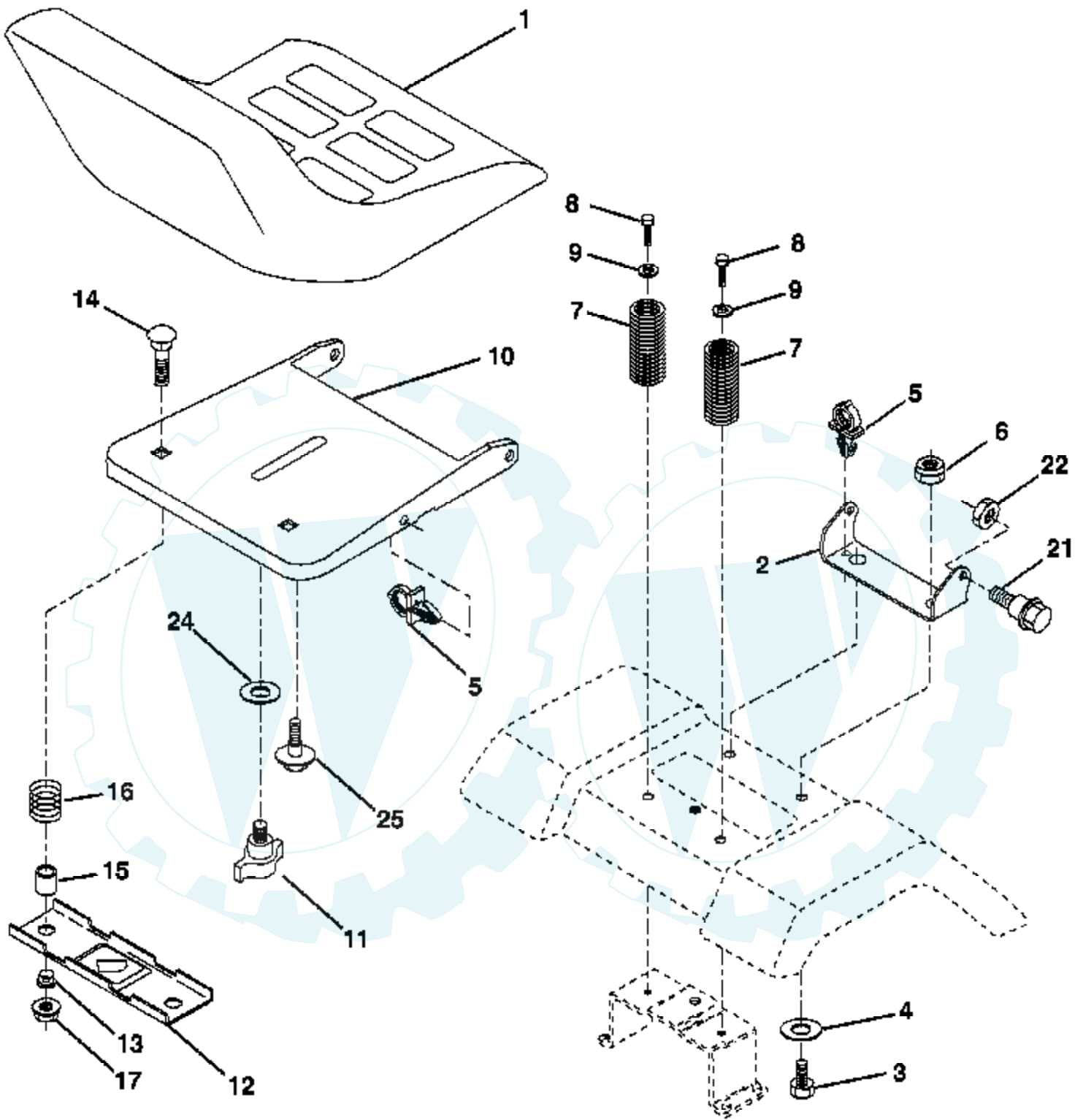


| Ref # | Part Number | Qty | Description                   |
|-------|-------------|-----|-------------------------------|
| 1     | 159461      |     | Wire Asm Inner/Sprg W/plunger |
| 2     | 159476      |     | Shaft Asm Lift RH w/Inf       |
| 3     | 178981      |     | Pin Groove 2"                 |
| 4     | 12000002    |     | E Ring #5133-62               |
| 5     | 19211621    |     | Washer 21/32 x 1 x 21 Ga.     |
| 6     | 120183X     |     | Bearing Nylon Blk 629 Id      |
| 7     | 125631X     |     | Grip Handle                   |
| 8     | 124526X     |     | Button Plunger                |
| 11    | 139865      |     | Link Lift LH Fixed Length     |
| 12    | 139866      |     | Link Lift RH Fixed Length     |
| 13    | 4939M       |     | Retainer Spring               |
| 15    | 173288      |     | Link Front                    |
| 16    | 73350800    |     | Nut Jam Hex 1/2-13 unc        |
| 17    | 175689      |     | Trunnion                      |
| 18    | 73800800    |     | Nut Lock W/Wsh 1/2-13 unc     |
| 19    | 139868      |     | Arm Suspension Rear           |
| 20    | 163552      |     | Retainer Spring               |
| 31    | 169865      |     | Bearing Pvt Lift              |
| 32    | 73540600    |     | Nut Crownlock 3/8 - 24        |

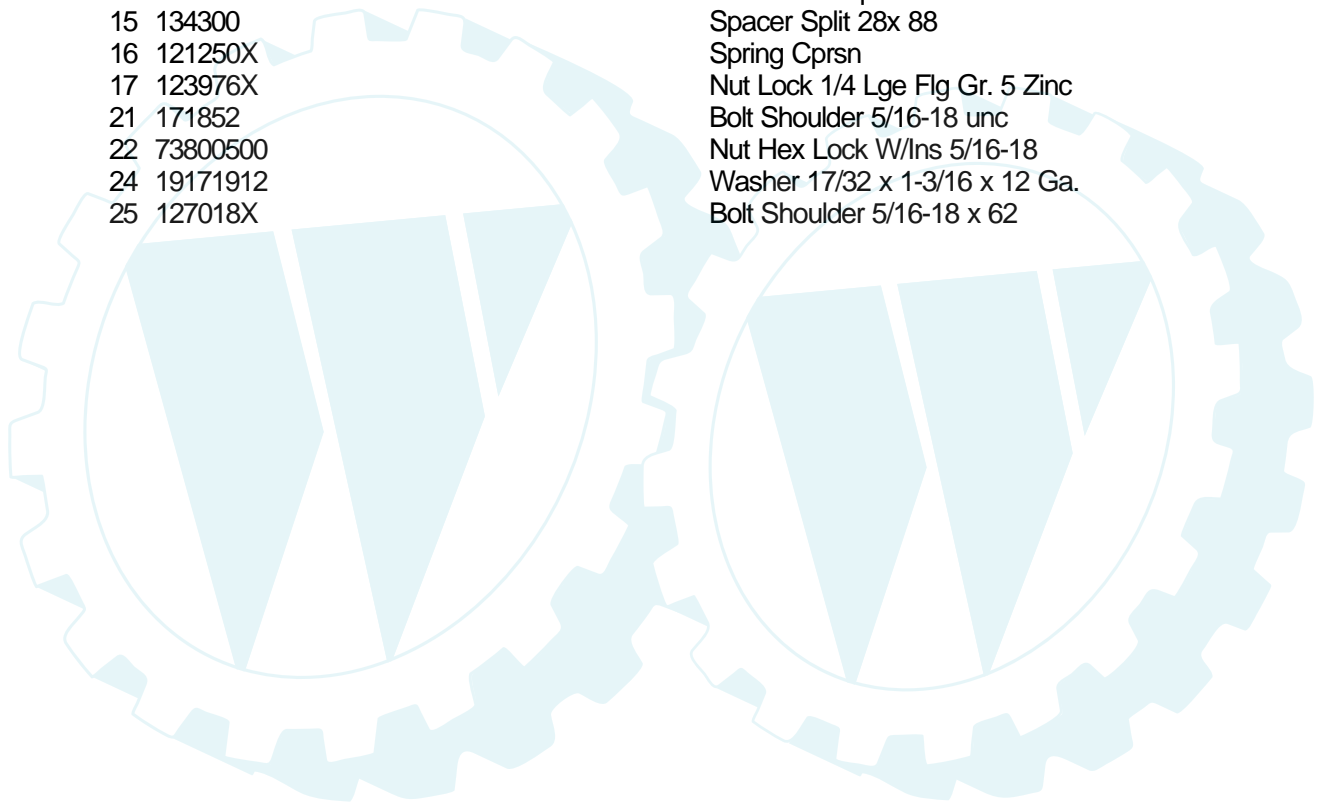


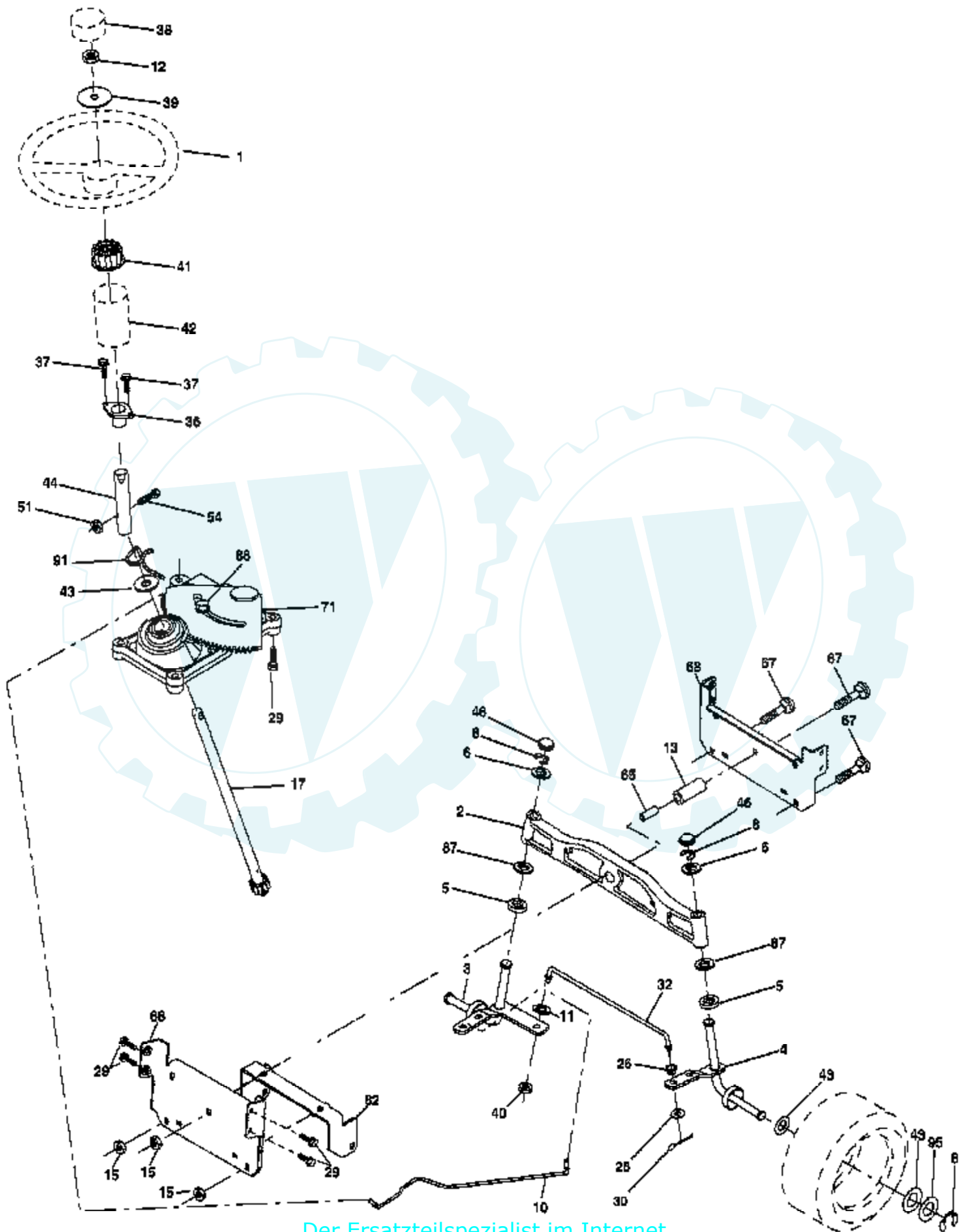




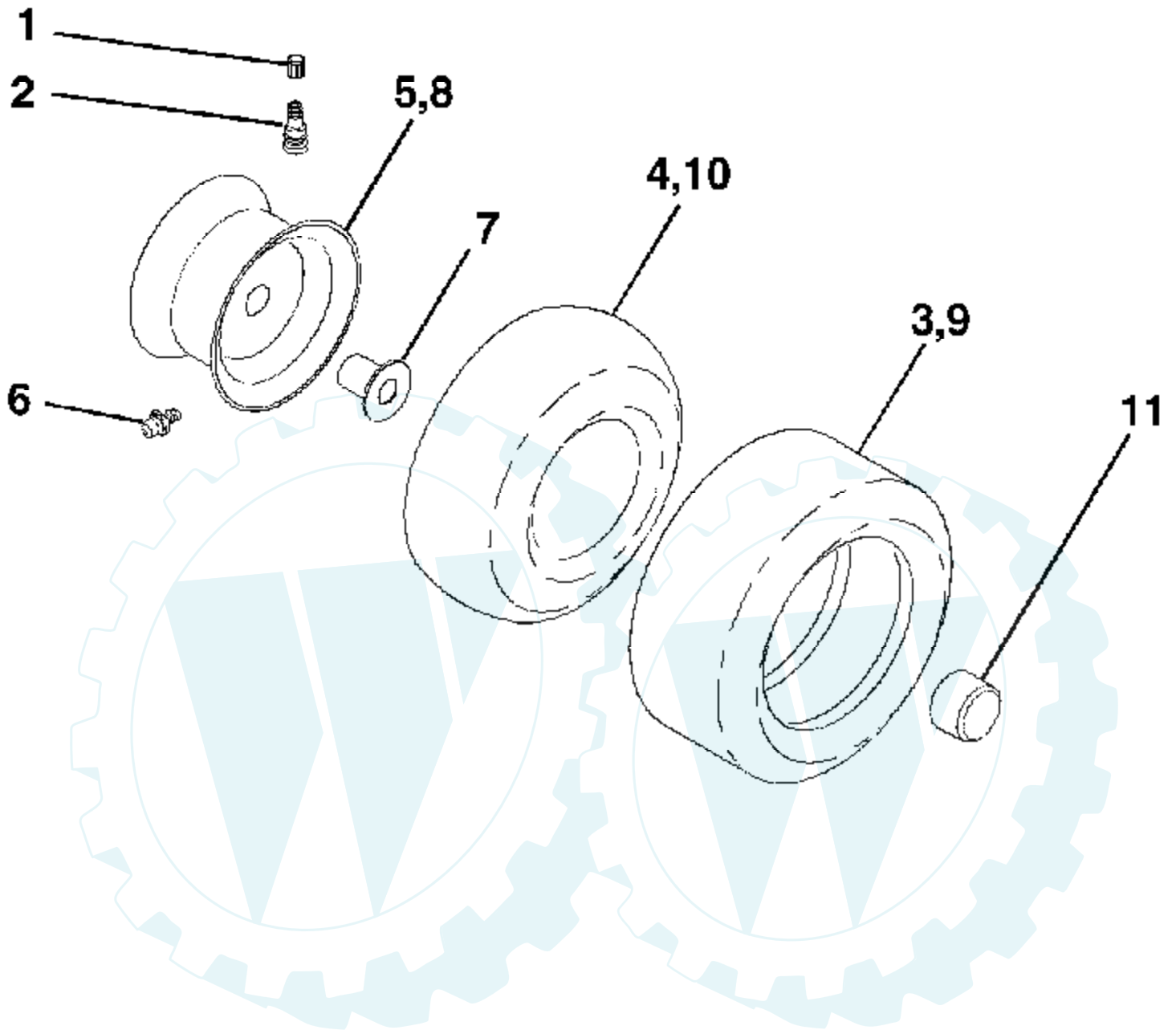


| Ref # | Part Number | Qty | Description                     |
|-------|-------------|-----|---------------------------------|
| 1     | 188712      |     | Seat                            |
| 2     | 140551      |     | Bracket Pivot Seat 8 720        |
| 3     | 71110616    |     | Bolt Fin Hex 3/8-16 unc x 1     |
| 4     | 19131610    |     | Washer 13/32 x 1 x 10 Ga.       |
| 5     | 145006      |     | Clip Push-In                    |
| 6     | 73800600    |     | Nut Hex w/Ins. 3/8-16 unc       |
| 7     | 124181X     |     | Spring Seat Cprsn 2 250 Blk Zi  |
| 8     | 17000616    |     | Screw 3/8-16 x 1.5 Smgml        |
| 9     | 19131614    |     | Washer 13/32 x 1 x 14 Ga.       |
| 10    | 182493      |     | Pan Seat                        |
| 11    | 166369      |     | Knob Seat                       |
| 12    | 121246X     |     | Bracket Mounting Switch         |
| 13    | 121248X     |     | Bushing Snap Blk Nyl 50 Id      |
| 14    | 72050412    |     | Bolt Rdhd Sqnk 1/4-20 x 1-1/2   |
| 15    | 134300      |     | Spacer Split 28x 88             |
| 16    | 121250X     |     | Spring Cprsn                    |
| 17    | 123976X     |     | Nut Lock 1/4 Lge Flg Gr. 5 Zinc |
| 21    | 171852      |     | Bolt Shoulder 5/16-18 unc       |
| 22    | 73800500    |     | Nut Hex Lock W/Ins 5/16-18      |
| 24    | 19171912    |     | Washer 17/32 x 1-3/16 x 12 Ga.  |
| 25    | 127018X     |     | Bolt Shoulder 5/16-18 x 62      |





| Ref # | Part Number | Qty | Description                       |
|-------|-------------|-----|-----------------------------------|
| 1     | 184704X428  |     | Wheel Steering                    |
| 2     | 184706      |     | Axle Asm Cast Iron LT             |
| 3     | 169840      |     | Spindle Asm LH                    |
| 4     | 169839      |     | Spindle Asm RH                    |
| 5     | 6266H       |     | Bearing Race Thrust Harden        |
| 6     | 121748X     |     | Washer 25/32 x 1-5/8 x 16 Ga.     |
| 8     | 12000029    |     | Ring Klip #t5304-75               |
| 10    | 175121      |     | Link Drag                         |
| 11    | 10040600    |     | Washer Lock Hvy Hlcl Spr 3/8      |
| 12    | 73940800    |     | Nut Hex Jam Toplock 1/2-20 unf    |
| 13    | 136518      |     | Spacer Brg Axle Front             |
| 15    | 145212      |     | Nut Hex Flange Lock               |
| 17    | 180641      |     | Shaft Asm Steering                |
| 26    | 126847X     |     | Bushing Link Drag                 |
| 28    | 19131416    |     | Washer 13/32 x 7/8 x 16 Ga.       |
| 29    | 17000612    |     | Screw 3/8-16 x .75                |
| 30    | 76020412    |     | Pin Cotter 1/8 x 3/4              |
| 32    | 130465      |     | Rod Tie                           |
| 36    | 155099      |     | Bushing Strg                      |
| 37    | 152927      |     | Screw                             |
| 38    | 159946X428  |     | Insert Cap Strg Wh                |
| 39    | 19182411    |     | Washer 9/16 x 1 1/20 x 11 Ga.     |
| 40    | 73540600    |     | Crownlock nut                     |
| 41    | 159945      |     | Adaptor Wheel Strg                |
| 42    | 145054X428  |     | Boot Steering Dash                |
| 43    | 121749X     |     | Washer 25/32 x 1 1/4 x 16 Ga.     |
| 44    | 180640      |     | Extension Steering Shaft          |
| 46    | 121232X     |     | Cap Spindle Fr Top Blk            |
| 51    | 73540400    |     | Nut Crownlock 1/4-28              |
| 54    | 71130420    |     | Bolt Hex 1/4-28 unf x 1-1/4 Gr. 8 |
| 65    | 160367      |     | Spacer Brace Axle                 |
| 67    | 72110618    |     | Bolt RDHD SQNK 3/8-16 x 2 1/4     |
| 71    | 175146      |     | Steering Asm                      |
| 68    | 169827      |     | Axle, Brace                       |
| 82    | 169835      |     | Bracket Susp Chassis Front        |
| 87    | 173966      |     | Washer Flat .781 x 1-1/2 x .14    |
| 88    | 175118      |     | Bolt Shoulder 7/16-20 unc         |
| 91    | 175553      |     | Clip Steering                     |
| 95    | 188967      |     | Washer Harden .739 x 1.637 x 060  |



| Ref # | Part Number | Qty | Description                       |
|-------|-------------|-----|-----------------------------------|
| 1     | 59192       |     | Cap Valve Tire                    |
| 2     | 65139       |     | Stem Valve                        |
| 3     | 106222X     |     | Tire F T 15 x 6 0 - 6 Service     |
| 4     | 59904       |     | Tube Front (Service Item Only)    |
| 5     | 106732X421  |     | Rim Asm 6" front Service          |
| 6     | 278H        |     | Fitting Grease (Front Wheel Only) |
| 7     | 9040H       |     | Bearing Flange (Front Wheel nly)  |
| 8     | 106108X421  |     | Rim Asm 8" rear Service           |
| 9     | 122082X     |     | Tire R T 20 x 10-8 Service        |
| 10    | 7152J       |     | Tube Rear (Service Item Only)     |
| 11    | 104757X421  |     | Cap Axle Blk 1 50 x 1 00          |
|       | 144334      |     | Sealant, Tire (10 oz. Tube)       |

