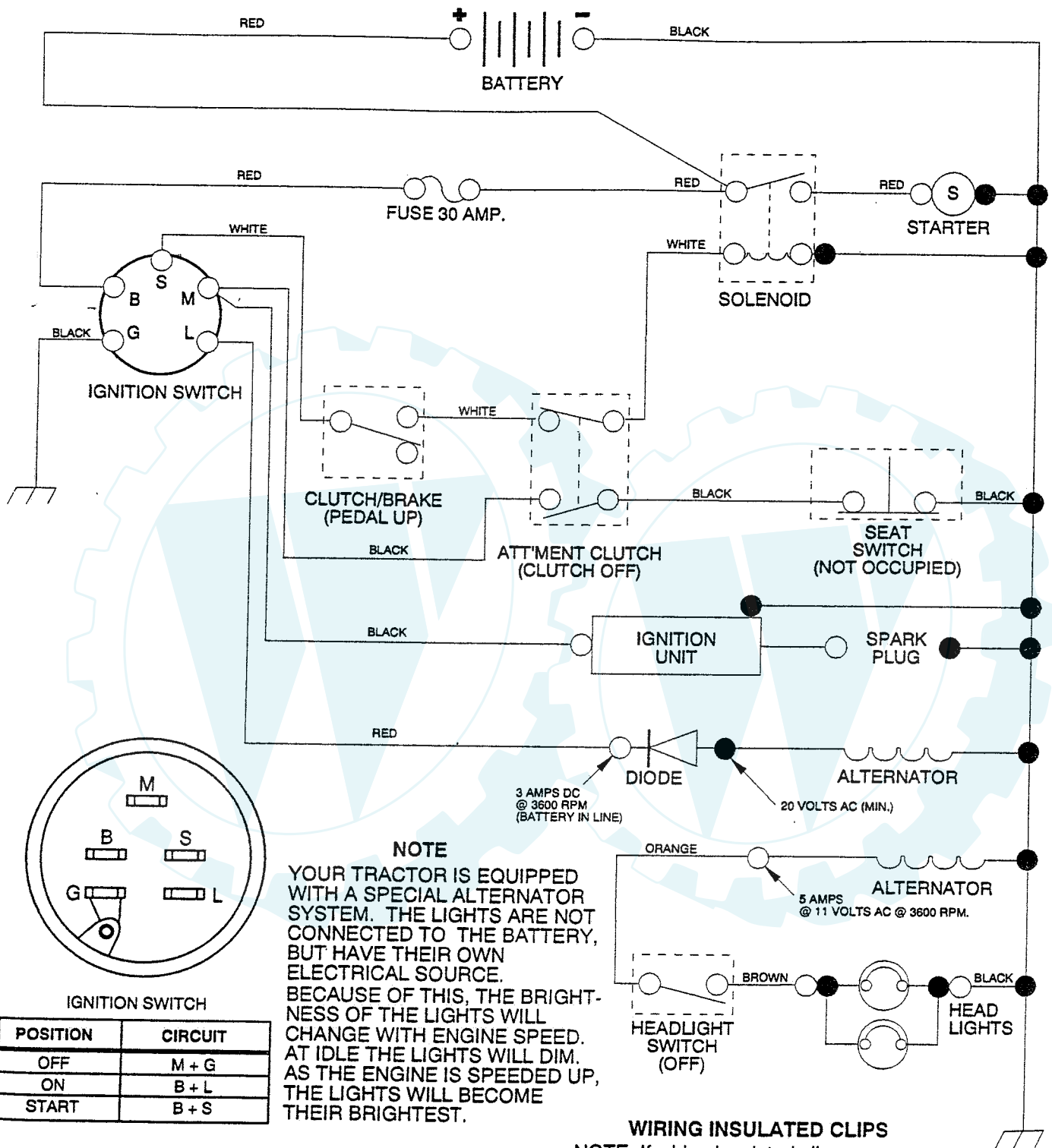


REPAIR PARTS

www.ersatzteil-service.de

12 HP 38" LAWN TRACTOR - - MODEL NUMBER NN12R38A

SHEMATIC



NOTE
 YOUR TRACTOR IS EQUIPPED WITH A SPECIAL ALTERNATOR SYSTEM. THE LIGHTS ARE NOT CONNECTED TO THE BATTERY, BUT HAVE THEIR OWN ELECTRICAL SOURCE. BECAUSE OF THIS, THE BRIGHTNESS OF THE LIGHTS WILL CHANGE WITH ENGINE SPEED. AT IDLE THE LIGHTS WILL DIM. AS THE ENGINE IS SPEEDED UP, THE LIGHTS WILL BECOME THEIR BRIGHTEST.

WIRING INSULATED CLIPS
 NOTE: If wiring insulated clips were removed for servicing of unit, they should be replaced to properly secure your wiring.

● NON-REMOVABLE CONNECTIONS ○ REMOVABLE CONNECTIONS

IGNITION SWITCH

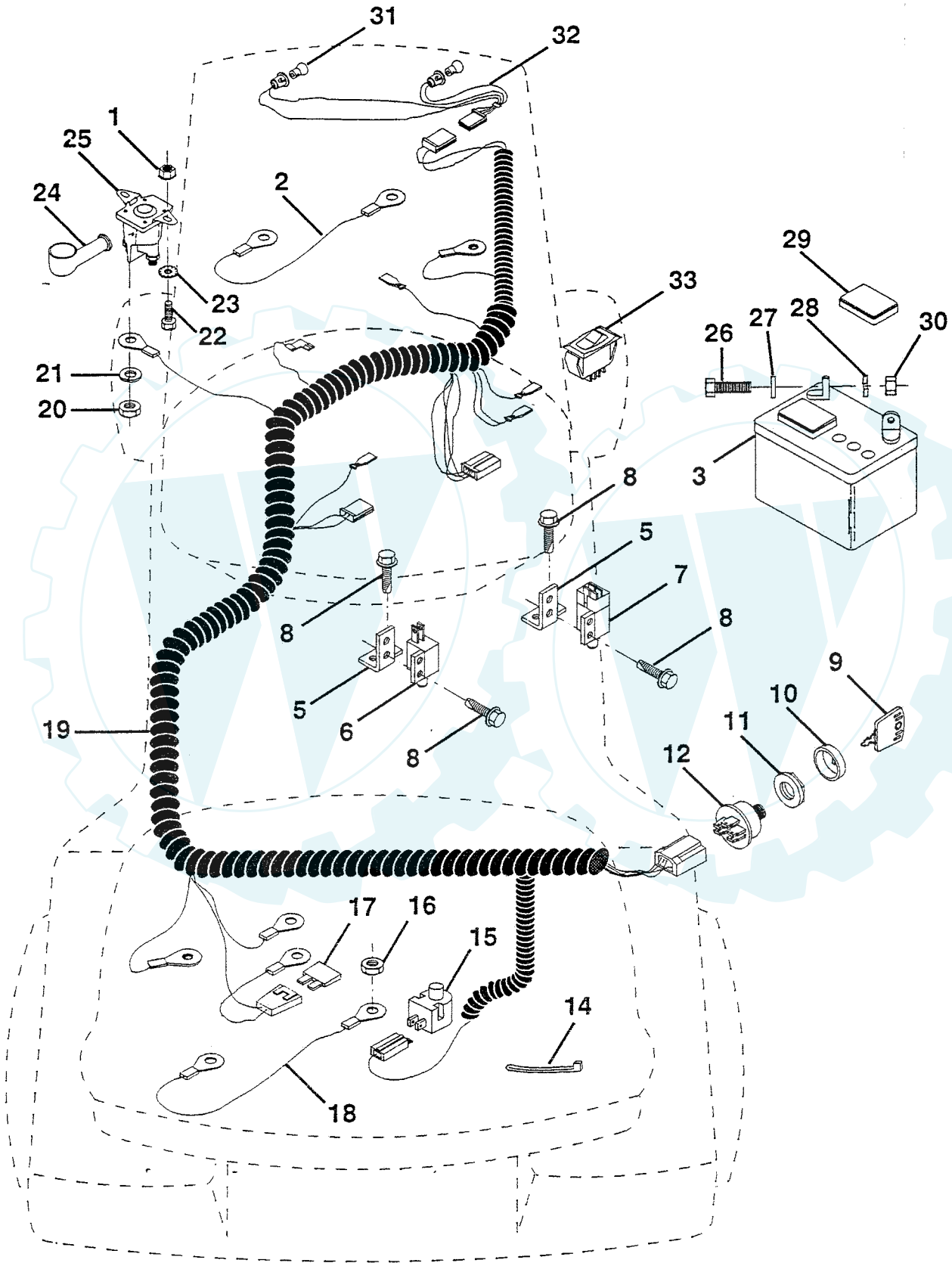
POSITION	CIRCUIT
OFF	M + G
ON	B + L
START	B + S

REPAIR PARTS

www.ersatzteil-service.de

12 HP 38" LAWN TRACTOR - - MODEL NUMBER NN12R38A

ELECTRICAL



REPAIR PARTS

www.ersatzteil-service.de

12 HP 38" LAWN TRACTOR - - MODEL NUMBER NN12R38A

ELECTRICAL

KEY NO.	PART NO.	DESCRIPTION	KEY NO.	PART NO.	DESCRIPTION
1	73510400	Nut, Hex, Keps 1/4-20 UNC	18	128353	Assembly, Cable
2	108423X	Assembly, Cable	19	132222	Harness, Ignition
3	133909	Battery	20	73350400	Nut, Hex, Jam 1/4-20
5	108236X	Bracket, Switch	21	10090400	Washer, Lock 1/4
6	104445X	Switch, Interlock	22	74780408	Bolt, Hex 1/4-20 x 12 Grade 5
7	109553X	Switch, Interlock	23	11050400	Washer, Lock, External Tooth 1/4
8	17021008	Screw, Hex Head, Tapping #10-24 x 1/2	24	131563	Cover, Terminal
9	122147X	Key, Molded	25	109081X	Solenoid
10	123620X	Cover, Key, Ignition	26	74760412	Bolt, Hex Head 1/4-20 UNC x 3/4
11	124211X	Nut, Ignition	27	19091016	Washer 9/32 x 5/8 x 16 Gauge
12	4406R	Switch, Ignition	28	10040400	Washer, Lock, Hvy. Hel. Spring 1/4
14	7192J	Tie, Cable	29	121264X	Cap, Battery
15	121305X	Switch, Plunger	30	73220400	Nut, Hex, Fin 1/4-20
16	73510500	Nut, Keps 5/16-18	31	7662J	Bulb
17	108824X	Fuse	32	127441X	Harness, Light Socket
			33	110712X	Switch, Light

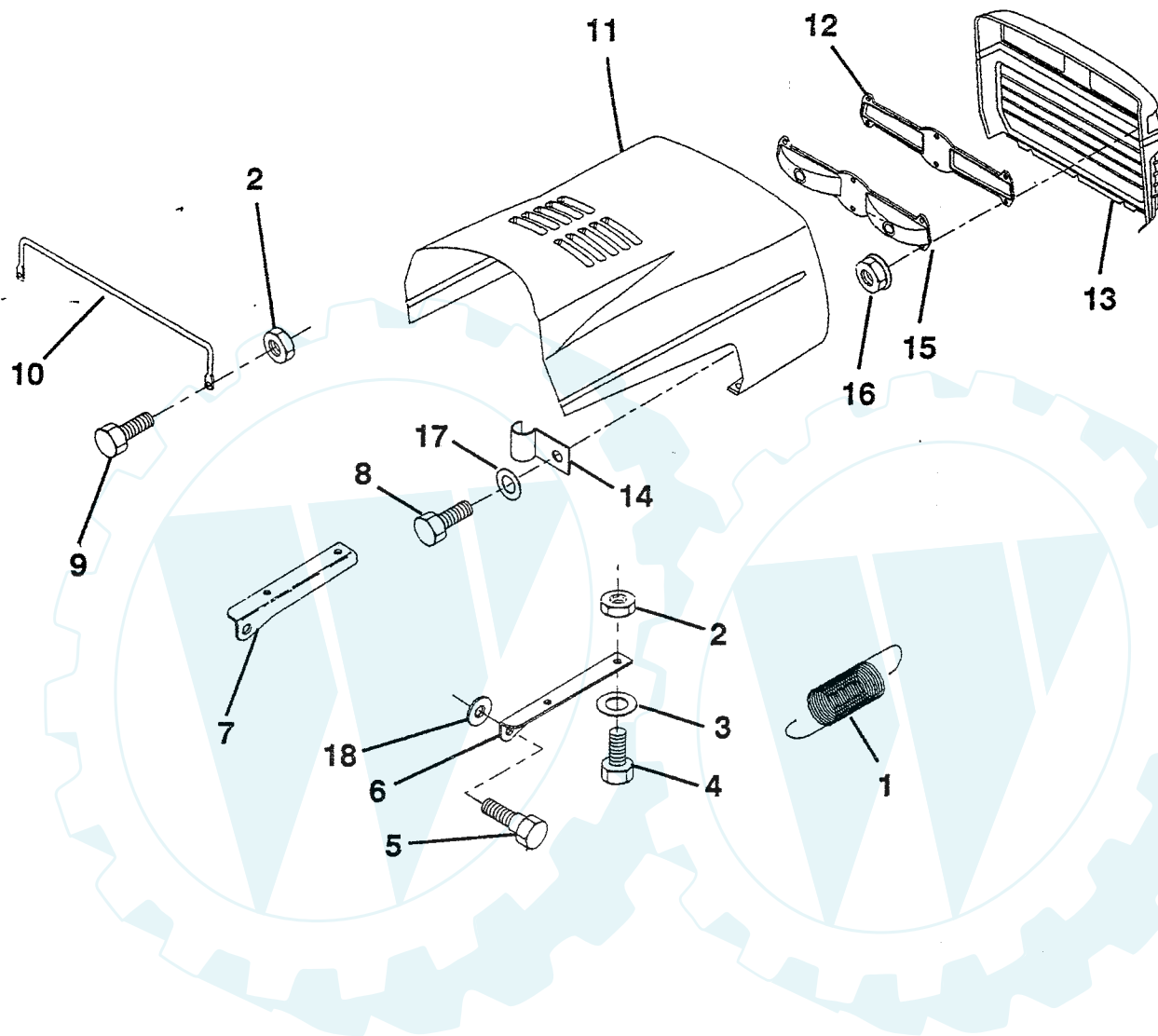
NOTE: All component dimensions given in U.S. inches
1 inch = 25.4 mm

HARDWARE SHOWN LARGER FOR EASIER IDENTIFICATION

PIECES DE RECHANGE

TRACTEUR 12 C.V. 38 PO. - - NUMERO DE MODELE NN12R38A

CAPOT



O. E EF.	NO. DE PIECE
1	124657X
2	73510400
3	19091016
4	74780410
5	126675X
6	122549X
7	122548X
8	17411310
9	74780412

DESCRIPTION

Ressort de traction
 Ecrou à taquets H 1/4-20 UNC
 Rondelle 9/32 x 5/8 x 16 Ga.
 Boulon H 1/4-20 UNC x 5/8 Cat. 5
 Boulon à épaulement
 Support du capot, C.D.
 Support du capot, C.G.
 Vis H #13-16 Hi-Lo x 5/8
 Boulon H 1/4-20 x 3/4 Cat. 5

NO. DE REF.	NO. DE PIECE
10	123693X
11	132918X505
12	127178
13	134232X428
14	2751R
15	127177X
16	124346X
17	19091216
18	19111116

DESCRIPTION

Support d'appui du capot
 Capot
 Lentille
 Calandre
 Collier de conduite d'essence
 Porte-phares
 Ecrou auto-filetage à tête rondelle 1/4
 Rondelle 9/32 x 3/4 x 16 Ga.
 Rondelle 11/32 x 11/16 x 16 Ga.

REMARQUE: Toutes les dimensions de composants sont données en pouces E.-U. -- 1 pouce = 25,4 mm

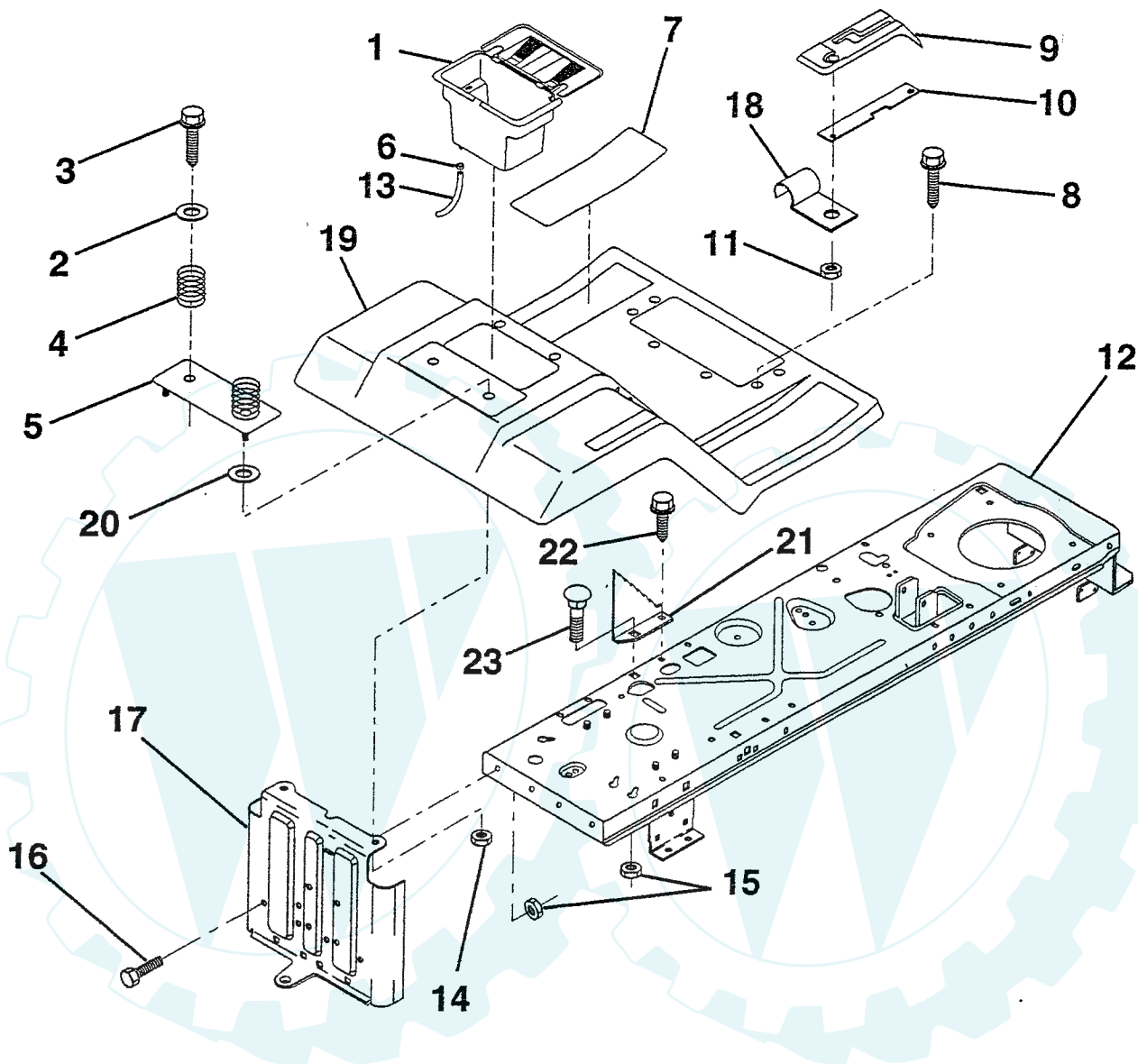
LA VISSERIE MONTREE EST PLUS GRANDE POUR FACILITER L'IDENTIFICATION.

Der Ersatzteilspezialist im Internet.

REPAIR PARTS

12 HP 38" LAWN TRACTOR -- MODEL NUMBER NN12R38A

FENDER / CHASSIS



**KEY PART
NO. NO.**

DESCRIPTION

1	129965	Case, Battery
2	19132012	Washer 13/32 x 1-1/4 x 12 Gauge
3	17490612	Screw, Hex Washer Head, Thd. Roll. 3/8-16 x 3/4
4	124181X	Spring, Compression, Seat
5	127115X505	Plate, Fender
6	109596X	Clamp, Hose
7	124144X	Pad, Footrest
8	17490512	Screw, Hex Washer Head, Thd. Roll. 5/16-18 x 3/4
9	126995X	Console, Shift Control
10	124602X	Bar, Shift Lock
11	124346X	Nut, Self-Threading 3/16
12	133384	Assembly, Frame

**KEY PART
NO. NO.**

DESCRIPTION

13	105687X	Tube, Battery Drain
14	73510400	Nut, Hex, Keps 1/4-20
15	73680500	Nut, Crownlock 5/16-18
16	74760512	Bolt, Hex 5/16-18 UNC x 3/4
17	127880	Drawbar
18	126470X	Clip, Insulated
19	132650X505	Fender/Footrest
20	19091413	Washer 9/32 x 7/8 x 13 Gauge
21	132562	Plate, Depth Stop
22	17490508	Screw, Thd. Roll. 5/16-18 x 1/2
23	72110506	Bolt, Carriage 5/16-18 x 3/4

NOTE: All component dimensions given in U.S. inches
1 inch = 25.4 mm

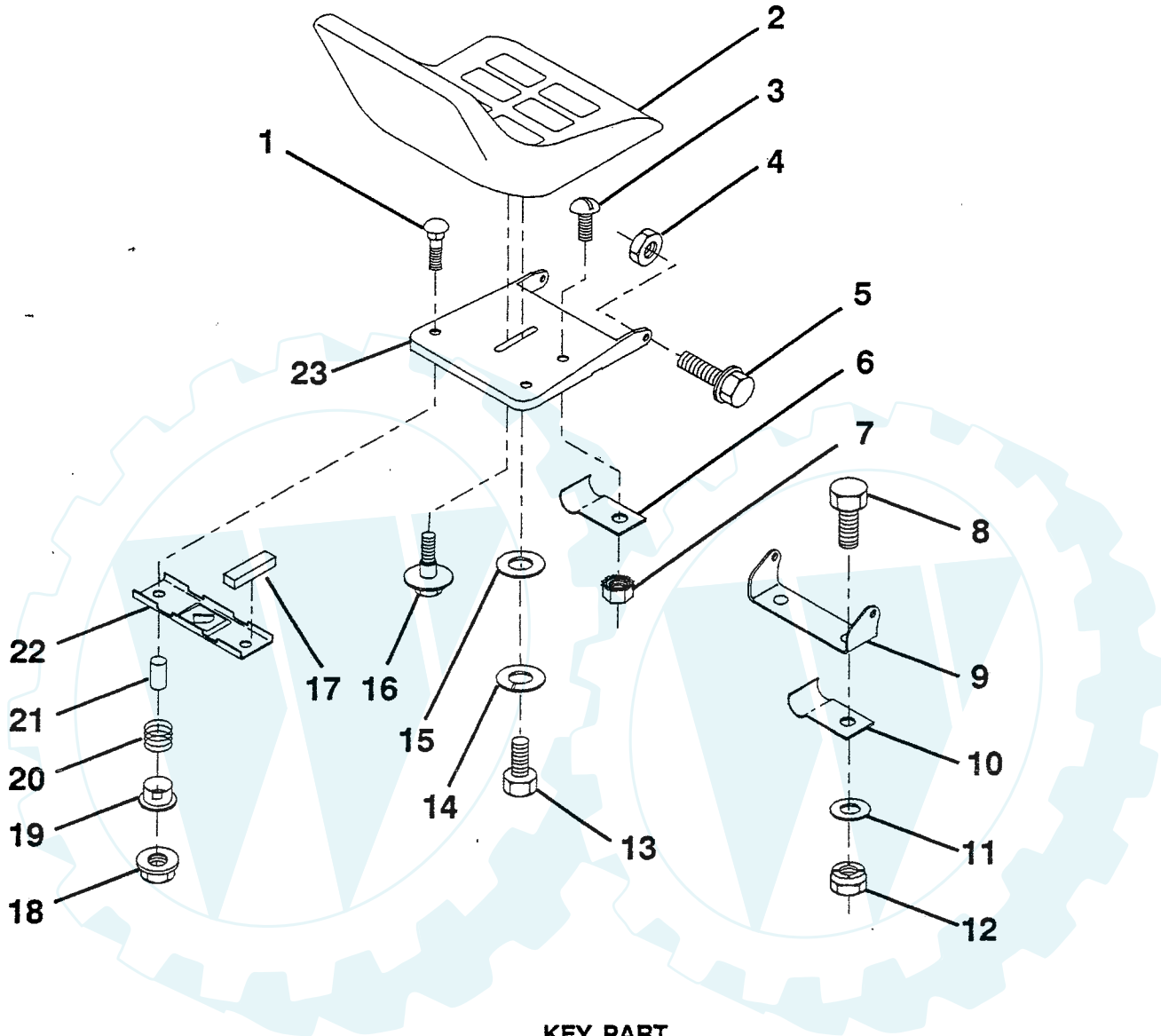
HARDWARE SHOWN LARGER FOR EASIER IDENTIFICATION

Der Ersatzteilspezialist im Internet

REPAIR PARTS

12 HP 38" LAWN TRACTOR - - MODEL NUMBER NN12R38A

SEAT



KEY PART NO. NO.

DESCRIPTION

KEY PART NO. NO.

DESCRIPTION

1	72050411	Bolt, Carriage 1/4-20 x 1-3/8
2	127423X	Seat
3	74641008	Screw, Slotted Pan Head #10-32 x 1/2
4	73680500	Nut, Crownlock 5/16-18
5	105529X	Bolt, Shoulder 5/16-18 UNC
6	4171R	Clip, Insulated
7	73951000	Nut, Keps #10-32 UNF
8	74760612	Bolt, Hex, Fin 3/8-16 UNC x 3/4
9	126656X	Bracket, Pivot, Seat
10	126471X	Clip, Insulated
11	19133210	Washer 13/32 x 2/4 x 10 Gauge
12	73680600	Nut, Crownlock 3/8-16 UNC

13	74780814	Bolt, Hex, Fin 1/2-13 x 7/8
14	10040800	Washer Lock Hvy. Hicl. Spr. 1/2
15	19171912	Washer 17/32 x 1-3/16 x 12 Gauge
16	127018X	Bolt, Shoulder
17	121251X	Strip, Foam
18	123976X	Locknut, Hex, Large, Flange
19	121248X	Bushing, Snap
20	121250X	Spring, Compression
21	121249X	Spacer, Split, Large .28 Id. x .88
22	121246X	Bracket, Switch, Mounting
23	131451	Pan, Seat

NOTE: All component dimensions given in U.S. inches
1 inch = 25.4 mm

HARDWARE SHOWN LARGER FOR EASIER IDENTIFICATION

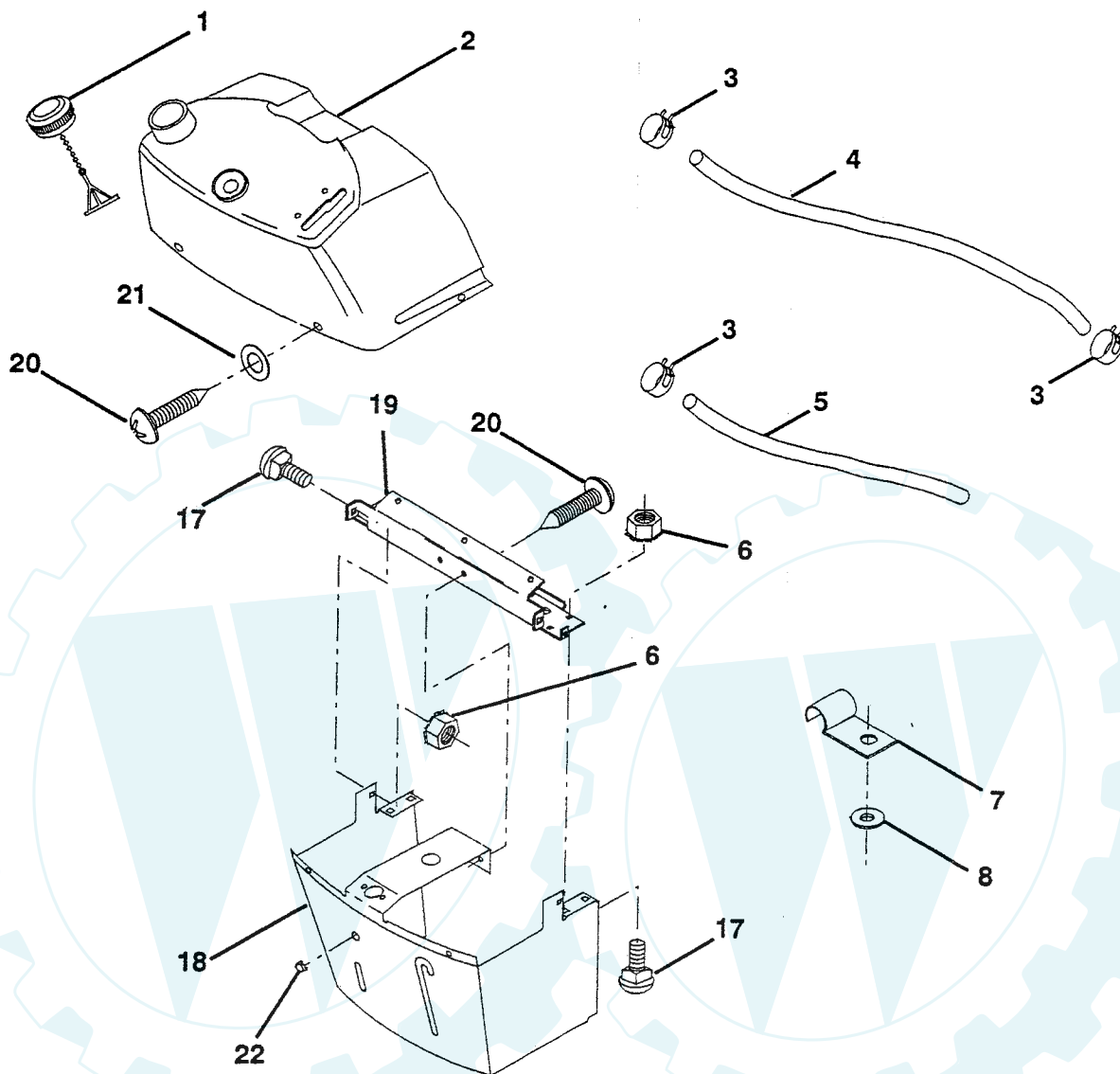
Der Ersatzteilspezialist im Internet.

REPAIR PARTS

www.ersatzteil-service.de

12 HP 38" LAWN TRACTOR - - MODEL NUMBER NN12R38A

DASHBOARD



KEY PART NO. NO.

DESCRIPTION

1	122015X	Cap, Fuel
2	130914	Assembly, Dash & Fuel Tank
3	123487X	Clamp, Hose
4	8544R	Line, Fuel
5	8548R	Line, Fuel
6	73510400	Nut, Hex, Keps 1/4-20
7	2751R	Clip, Fuel Line
8	19091216	Washer 9/32 x 3/4 x 16 Gauge

KEY PART NO. NO.

DESCRIPTION

17	72110404	Bolt, Carriage 1/4-20 x 1/2 Grade 5
18	131886	Support Assembly, Dash
19	134744	Brace, Cross
20	18000408	Screw, Self-Tapping 1/4-20 x 1/2
21	19090816	Washer 9/32 x 1/2 x 16 Gauge
22	134014	Plug, Dome

NOTE: All component dimensions given in U.S. inches
1 inch = 25.4 mm

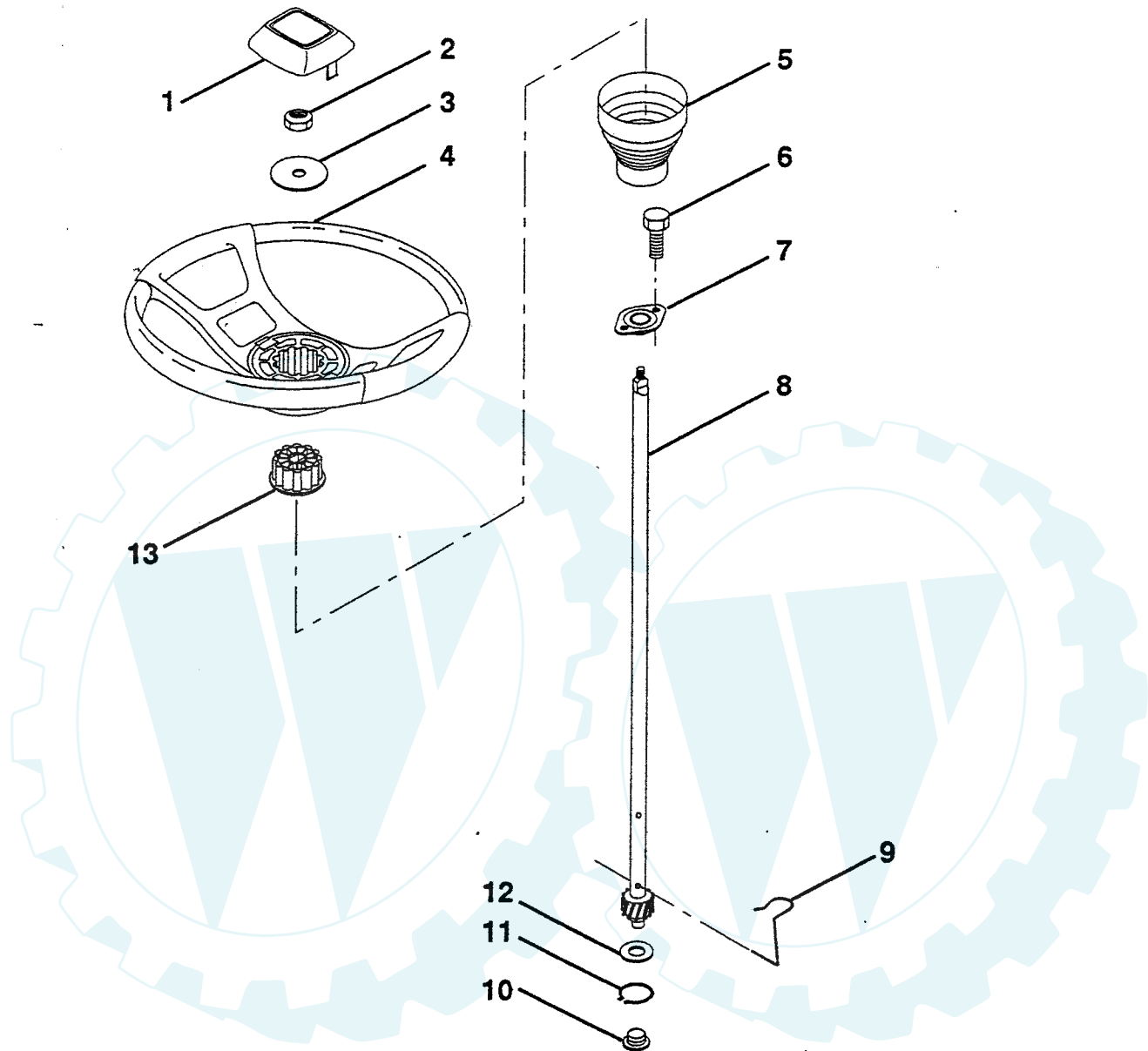
HARDWARE SHOWN LARGER FOR EASIER IDENTIFICATION

REPAIR PARTS

www.ersatzteil-service.de

12 HP 38" LAWN TRACTOR - - MODEL NUMBER NN12R38A

STEERING WHEEL



KEY PART NO. NO.

DESCRIPTION

- 1 133742 Insert, Steering Wheel
- 2 7810H Locknut 3/8-24 UNF
- 3 19133808 Washer 13/32 x 2-3/8 x 8 Gauge
- 4 133741 Wheel, Steering
- 5 121897X Sleeve, Steering
- 6 17431008 Screw, Hex Self-Tapping #10-16 x 1/2
- 7 102803X Bushing, Steering

KEY PART NO. NO.

DESCRIPTION

- 8 123651X Shaft, Steering
- 9 124210X Clip, Steering
- 10 123438X Bushing, Lower, Steering
- 11 12000045 Ring, Retaining
- 12 19211616 Washer 21/32 x 1 x 16 Gauge
- 13 104820X Adaptor, Steering Wheel

NOTE: All component dimensions given in U.S. inches
1 inch = 25.4 mm

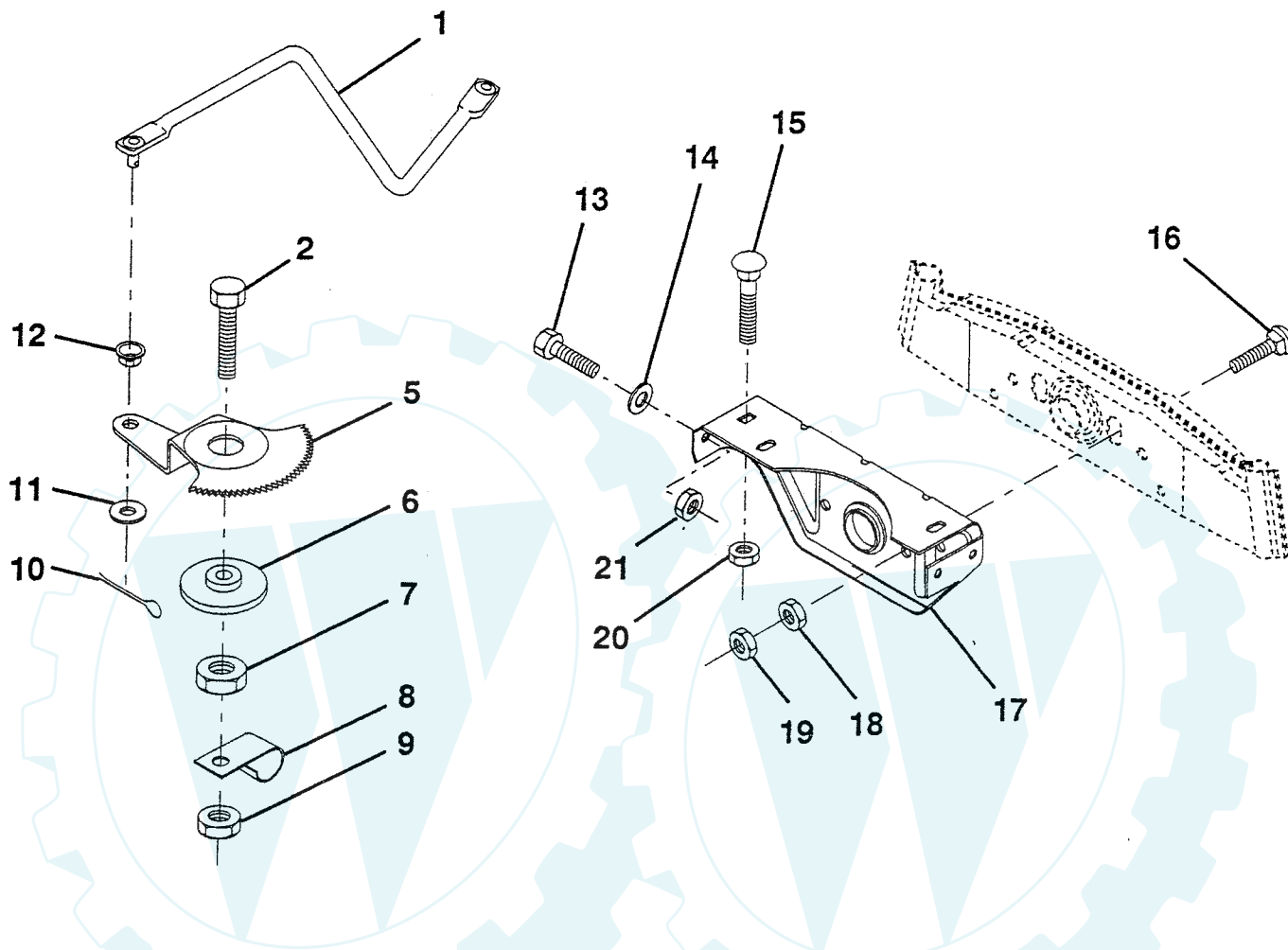
HARDWARE SHOWN LARGER FOR EASIER IDENTIFICATION

REPAIR PARTS

www.ersatzteil-service.de

12 HP 38" LAWN TRACTOR - - MODEL NUMBER NN12R38A

SECTOR GEAR / AXLE SUPPORT



KEY PART NO. NO.

DESCRIPTION

1	132566	Link, Drag
2	74780828	Bolt, Hex, Fin. 1/2-13 x 1-3/4
5	121926X	Gear, Sector
6	121927X	Bushing
7	73030800	Nut, Heavy, Hex, Top Lock 1/2-13 UNC
8	126472X	Clip, Wire
9	73680800	Nut, Crownlock 1/2-13
10	76020412	Pin, Cotter 1/8 x 3/4
11	19131316	Washer 13/32 x 13/16 x 16 Gauge
12	126847X	Bushing

KEY PART NO. NO.

DESCRIPTION

13	74760512	Bolt, Hex 5/16-18 UNC x 3/4
14	19111416	Washer 11/32 x 7/8 x 16 Gauge
15	72110606	Bolt, Carriage 3/8-16 UNC x 3/4
16	72140622	Bolt, Carriage 3/8-16 x 2-3/4
17	121912X	Support, Front Axle
18	73220600	Nut, Hex, Fin. 3/8-16 UNC
19	73930600	Nut, Centerlock 3/8-16 UNC
20	73680600	Nut, Crownlock 3/8-16 UNC
21	73680500	Nut, Crownlock 5/16-18

NOTE: All component dimensions given in U.S. inches
1 inch = 25.4 mm

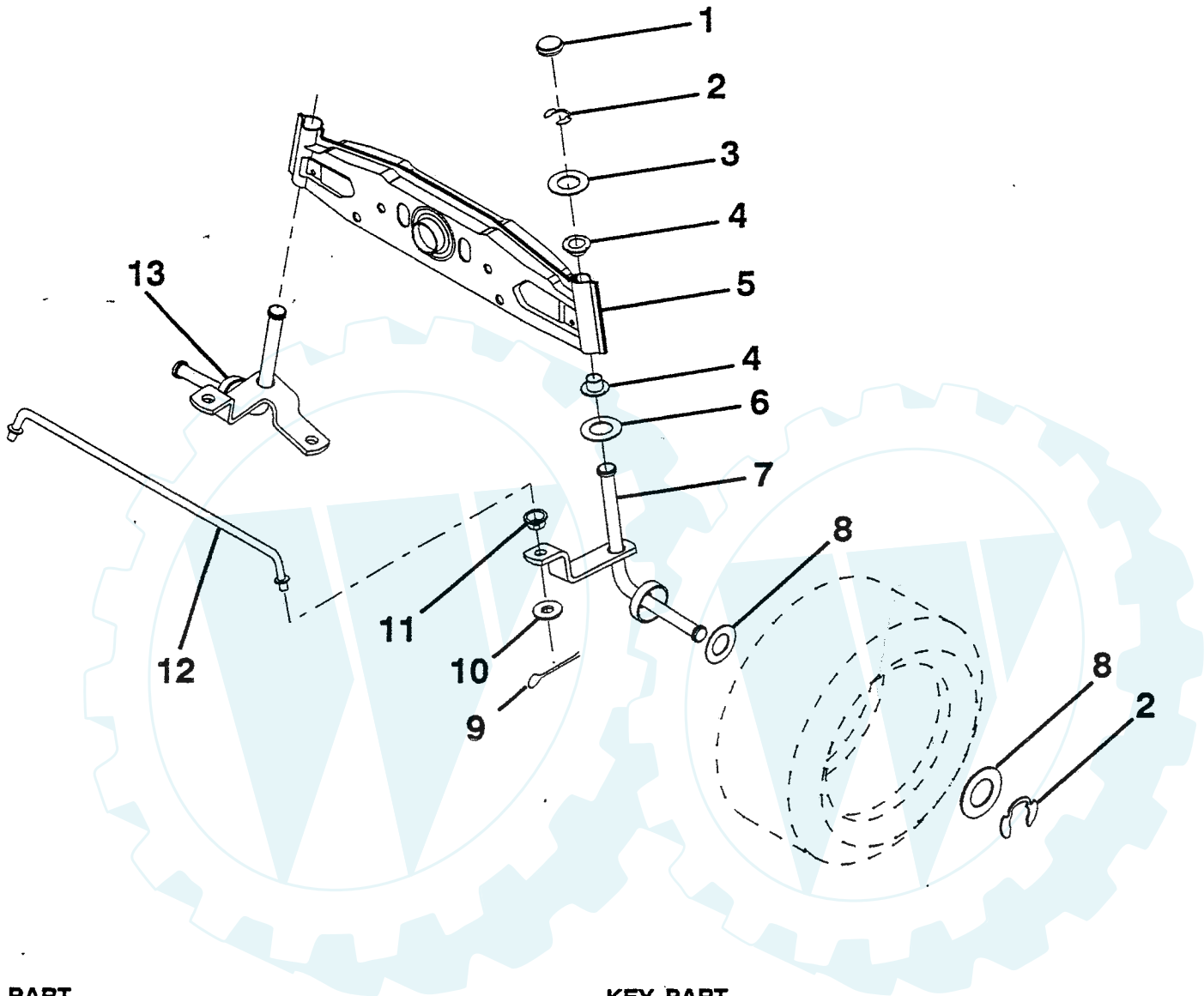
HARDWARE SHOWN LARGER FOR EASIER IDENTIFICATION

REPAIR PARTS

www.ersatzteil-service.de

12 HP 38" LAWN TRACTOR - - MODEL NUMBER NN12R38A

FRONT AXLE



KEY PART NO. NO.

DESCRIPTION

1	121232X	Cap, Spindle
2	12000029	Ring, Klip
3	121748X	Washer 25/32 x 1-5/8 x 16 Gauge
4	121922X	Nyliner
5	121914X	Axle, Front
6	6266H	Bearing, Thrust
7	121919X	Spindle Assembly, RH
8	121749X	Washer 25/32 x 1-1/4 x 16 Gauge

KEY PART NO. NO.

DESCRIPTION

9	76020412	Pin, Cotter 1/8 x 3/4
10	19131316	Washer 13/32 x 13/16 x 16 Gauge
11	126847X	Bushing
12	121924X	Rod, Tie
13	121916X	Spindle Assembly, LH

NOTE: All component dimensions given in U.S. inches
1 inch = 25.4 mm

HARDWARE SHOWN LARGER FOR EASIER IDENTIFICATION

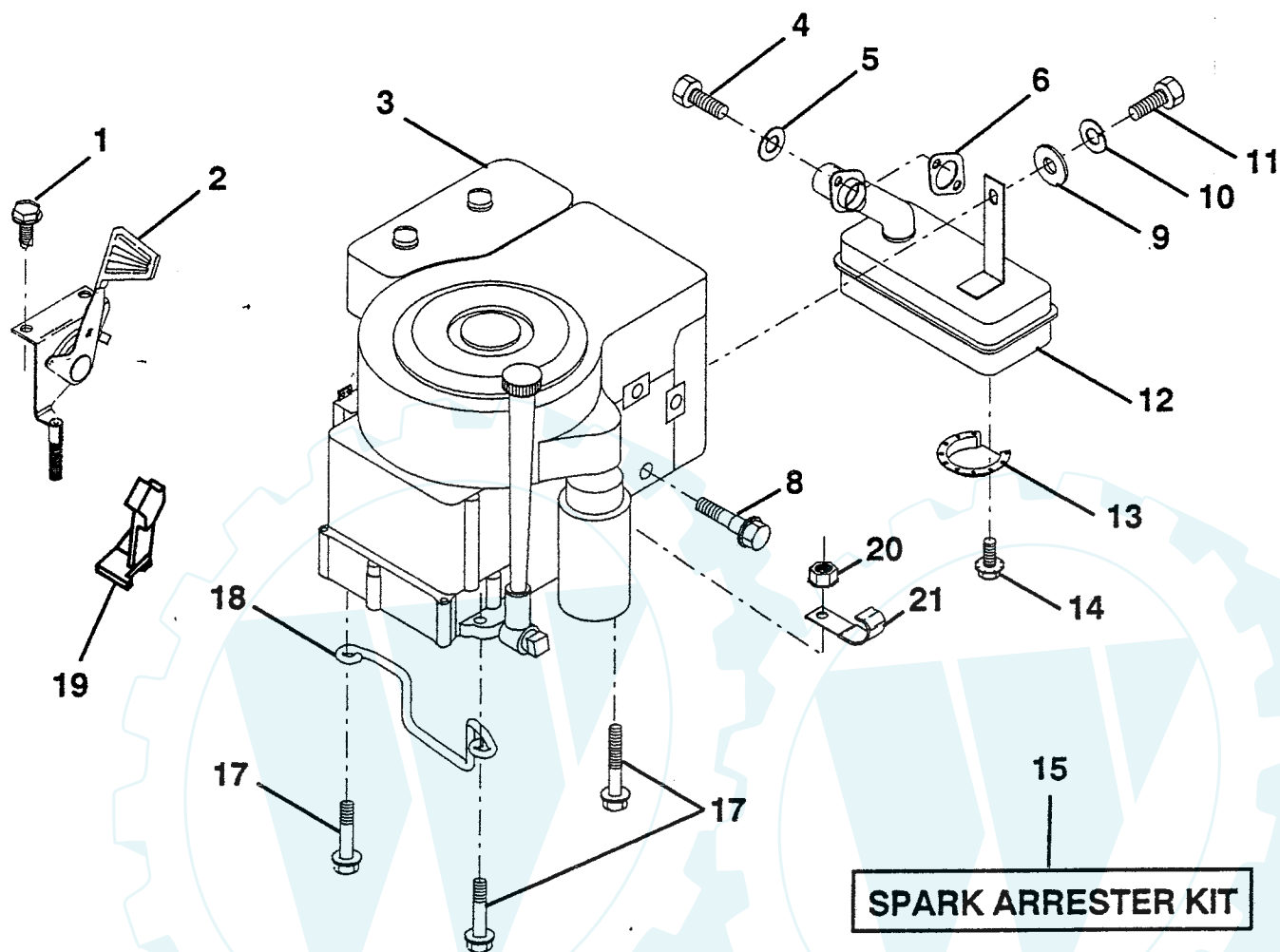
Der Ersatzteil spezialist im Internet.

REPAIR PARTS

www.ersatzteil-service.de

12 HP 38" LAWN TRACTOR - - MODEL NUMBER NN12R38A

ENGINE / THROTTLE



KEY PART NO. NO.

DESCRIPTION

1	17720408	Screw, Hex, Thread Cutting 1/4-20 x 1/2
2	133025	Control, Throttle
3	-----	Engine, Briggs & Stratton, 12.0 HP, Model 283707
4	71070512	Screw, Hex Head Cap 5/16-18 x 3/4
5	10040500	Washer, Lock, Heavy Helical Spring 5/16
6	125593X	Gasket, Exhaust
8	121094X	Bolt, Shoulder
9	19101216	Washer 5/16 x 3/4 x 16 Gauge
10	10040400	Washer, Lock, Heavy Helical Spring 1/4

KEY PART NO. NO.

DESCRIPTION

11	74780416	Bolt, Hex, Fin. 1/4-20 UNC x 1
12	123676X	Muffler
13	101326L	Deflector, Muffler
14	17030808	Screw, Hex, Spiderlock 8 x 1/2 ABTPS
15	121851X	Kit, Spark Arrester (Optional)
17	17490624	Screw, Hex Washer Head, Thd. Roll. 3/8-16 x 1-1/2
18	126636X	Keeper, Ground Drive Belt
19	127951	Stop, Throttle
20	73510600	Nut, Keps 3/8-16
21	2751R	Clip, Fuel Line

NOTE: All component dimensions given in U.S. inches
1 inch = 25.4 mm

HARDWARE SHOWN LARGER FOR EASIER IDENTIFICATION

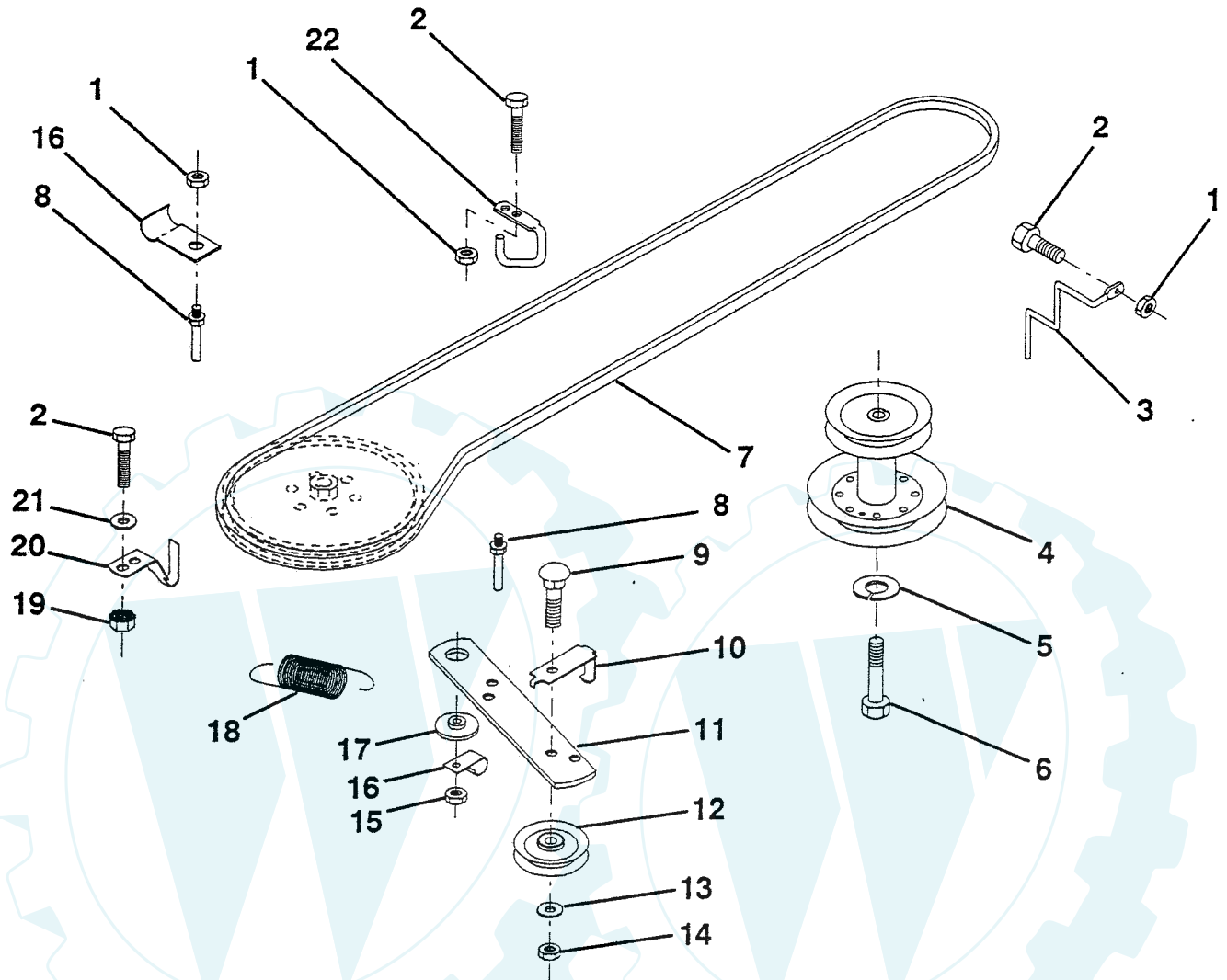
Der Ersatzteil-Spezialist im Internet.

REPAIR PARTS

www.ersatzteil-service.de

12 HP 38" LAWN TRACTOR - - MODEL NUMBER NN12R38A

GROUND DRIVE



KEY PART NO. NO.

DESCRIPTION

1	73680500	Nut, Crownlock 5/16-18
2	74760512	Bolt, Hex 5/16-18 UNC x 3/4
3	132946	Keeper, Mower Drive Belt, Engine
4	135036	Pulley, Engine
5	10040700	Washer, Lock 7/16
6	71130748	Bolt, Hex, Fin 7/16-20 UNF x 3
7	124525X	Traction, V-Belt Drive
8	123405X	Keeper, T/A Ground Drive Belt
9	72140612	Bolt, Carriage 3/8-16 x 1-1/2
10	123396X	Keeper, Ground Drive Belt, Idler
11	123395X	Arm, Ground Drive Clutch
12	4859J	Idler, Flat
13	19131316	Washer 13/32 x 13/16 x 16 Gauge

KEY PART NO. NO.

DESCRIPTION

14	73930600	Nut, Centerlock 3/8-16 UNC
15	73680600	Nut, Crownlock 3/8-16 UNC
16	126471X	Clip, Insulated
17	122052X	Spacer, Retainer
18	131459	Spring, Extension
19	73510500	Nut, Keps 5/16-18 UNC
20	123891X	Keeper, T/A Ground Drive Belt
21	19111016	Washer 11/32 x 5/8 x 16 Gauge
22	123404X	Keeper, Frame, Ground Drive Belt

NOTE: All component dimensions given in U.S. inches
1 inch = 25.4 mm

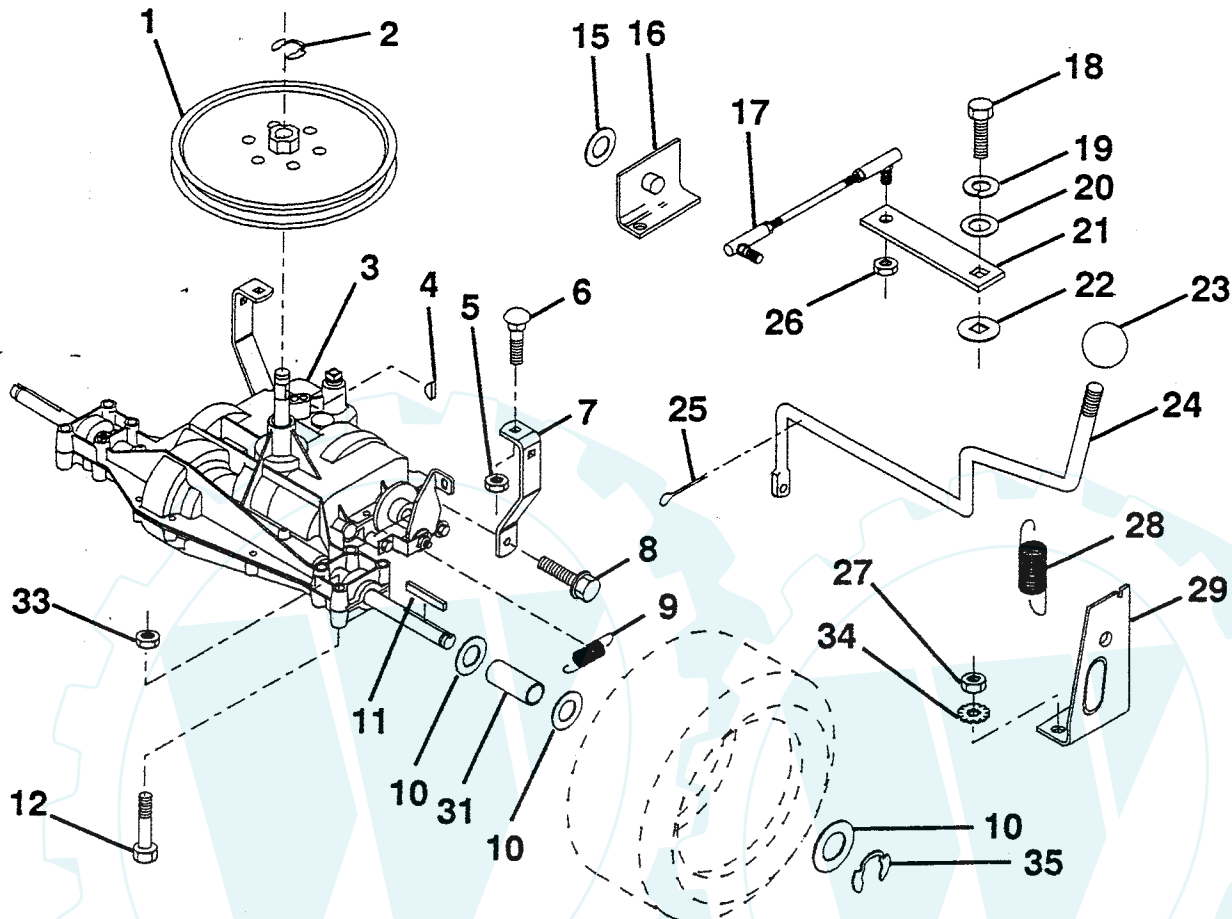
HARDWARE SHOWN LARGER FOR EASIER IDENTIFICATION

REPAIR PARTS

www.ersatzteil-service.de

12 HP 38" LAWN TRACTOR - - MODEL NUMBER NN12R38A

TRANSAXLE



KEY PART NO. NO.

DESCRIPTION

1	123385X	Pulley
2	12000028	Ring, Retainer
3	123655X	Transaxle, Foote/Dana, 6 Speed, Model Number 4360-18
4	2228M	Key, Woodruff #9
5	73680500	Nut, Crownlock 5/16-18
6	72140506	Bolt, Carriage 5/16-18 UNC x 3/4
7	123378X	Strap, Torque
8	17490512	Screw, Hex, Thd. Roll. 5/16-18 x 3/4
9	110422X	Spring, Brake
10	121749X	Washer 25/32 x 1-1/4 x 16 Gauge
11	123583X	Key, Square
12	74760644	Bolt, Hex 3/8-16 x 2-3/4
15	19171616	Washer 17/32 x 16 Ga.
16	124600X	Support Handle Shift LH
17	123632X	Link, Shift
18	71040412	Bolt, Hex, Fin. 1/4-28 x 3/4 Gr. 8
9	10040400	Washer, Lock 1/4

KEY PART NO. NO.

DESCRIPTION

20	19091210	Washer 9/32 x 3/4 x 10 Gauge
21	123539X	Arm, Shift
22	105701X	Washer, Shift Plate
23	106933X	Knob
24	128215	Rod, Shift
25	76020416	Pin, Cotter 1/8 x 1
26	73810500	Nut, Hex, Nylon 5/16-24
27	73510500	Nut, Keps 5/16-18
28	128085	Spring, Extension
29	128084	Support Handle Shift RH
31	123409X	Spacer
33	73680600	Nut, Crownlock 3/8-16
34	11050500	Washer, Lock, External Tooth 5/16
35	12000001	E-Ring

NOTE: All component dimensions given in U.S. inches
1 inch = 25.4 mm

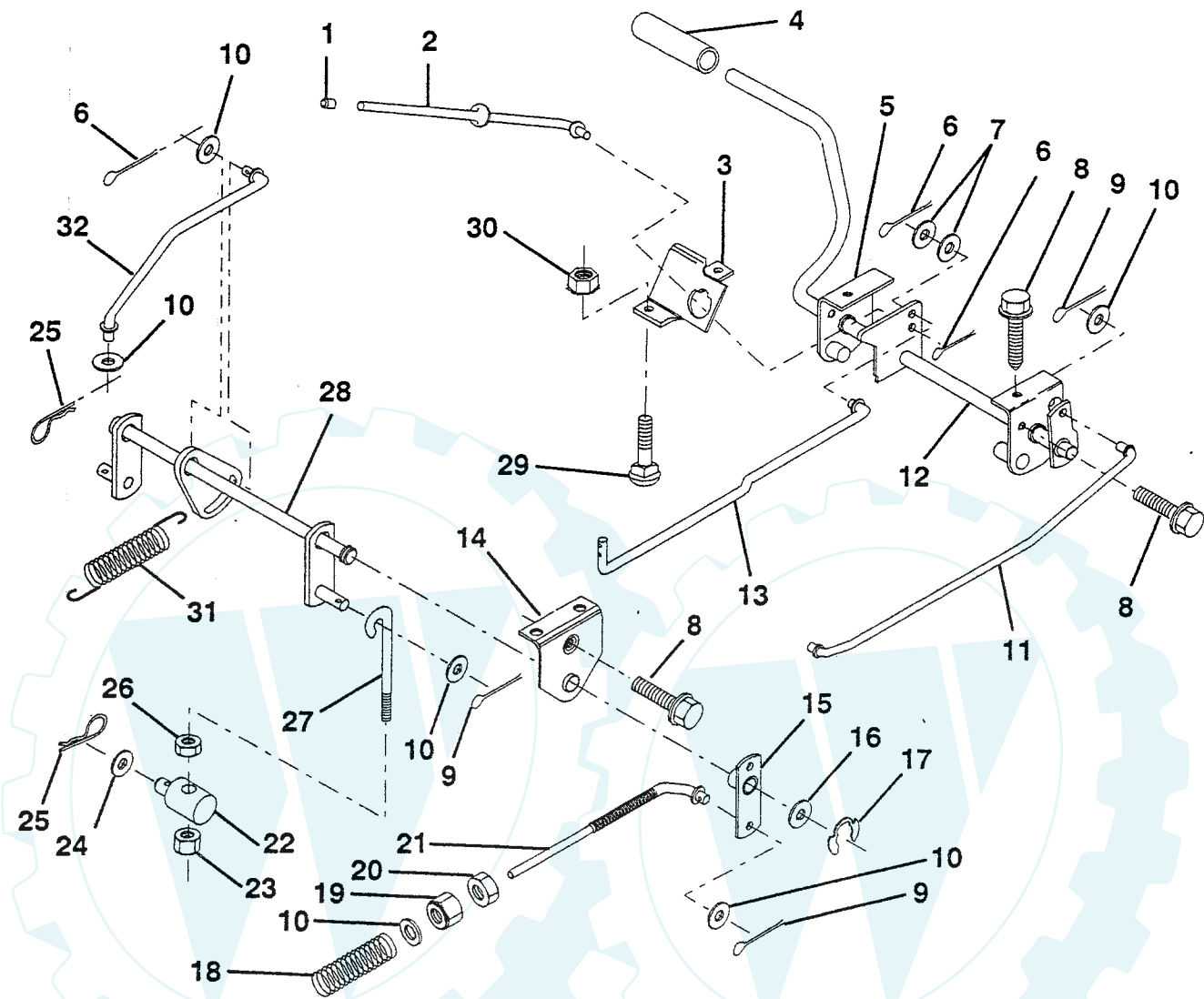
HARDWARE SHOWN LARGER FOR EASIER IDENTIFICATION

REPAIR PARTS

www.ersatzteil-service.de

12 HP 38" LAWN TRACTOR - - MODEL NUMBER NN12R38A

BRAKE / REAR MOWER LIFT ASSEMBLY



KEY PART NO. NO.

DESCRIPTION

1	71673	Cap, Plunger
2	123436X	Rod, Parking Brake
3	123437X	Bracket, Parking Brake
4	8883R	Cover, Pedal
5	132205	Bracket Assy., Clutch Pedal, LH
6	76020312	Pin, Cotter 3/32 x 3/4
7	19131016	Washer 13/32 x 5/8 x 16 Gauge
8	17490508	Screw, Hex, Thd. Roll. 5/16-18 x 1/2
9	76020412	Pin, Cotter 1/8 x 3/4
10	19131316	Washer 13/32 x 13/16 x 16 Gauge
11	123543X	Rod, Front Brake
12	136263	Assembly, Clutch/Brake Pedal
13	123394X	Rod, Clutch
14	121978X	Bracket, Lift, Shaft
15	123641X	Assembly, Brake, Pivot, Arm
16	19251816	Washer 25/32 x 1-1/8 x 16 Gauge
17	12000034	Ring, Klip

KEY PART NO. NO.

DESCRIPTION

18	106888X	Spring, Brake Rod
19	73350600	Nut, Hex, Jam 3/8-16 UNC
20	73680600	Nut, Crownlock 3/8-16 UNC
21	131460	Rod, Rear Brake
22	127378	Trunnion, Lift
23	73680600	Nut, Crownlock 3/8-16 UNC
24	19132012	Washer 13/32 x 1-1/4 x 12 Gauge
25	4921H	Spring, Retainer
26	73930600	Nut, Centerlock 3/8-16 UNC
27	132218	Link, Threaded
28	132221	Assembly, Rear Mower Lift
29	72110506	Bolt, Carriage 5/16-18 UNC x 3/4
30	73510500	Nut, Keps 5/16-18 UNC
31	133095	Spring, Counterbalance
32	133721	Link, Lift Lever

NOTE: All component dimensions given in U.S. inches
1 inch = 25.4 mm

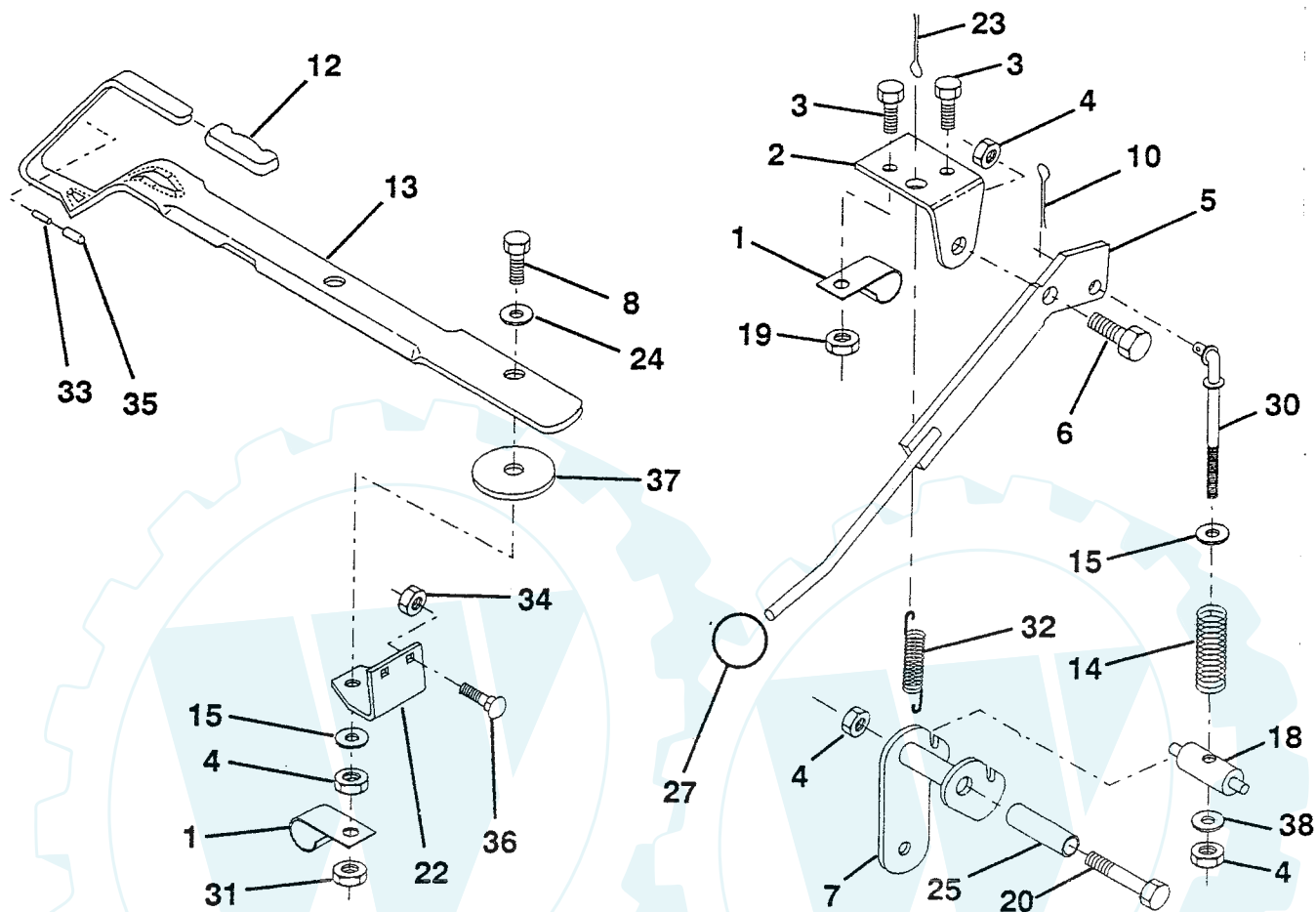
HARDWARE SHOWN LARGER FOR EASIER IDENTIFICATION

REPAIR PARTS

www.ersatzteil-service.de

12 HP 38" LAWN TRACTOR - - MODEL NUMBER NN12R38A

MOWER LIFT LEVER



KEY PART NO. NO.

DESCRIPTION

1	126470X	Clip, Fuel Line
2	122018X	Bracket, Mower Clutch
3	74780408	Bolt, Hex, Fin 1/4-20 UNC x 1/2 Grade 5
4	73680600	Nut, Crownlock 3/8-16 UNC
5	132552	Assembly, Clutch Lever
6	106451X	Bolt, Shoulder
7	135110	Assembly, Mower Clutch Arm
8	74930624	Bolt, Hex 3/8-16 x 1-1/2
10	76020412	Pin, Cotter 1/8 x 3/4
12	131861	Handle, Lift Lever
13	132558	Assembly, Lift Handle
14	133939	Spring, Compression, Clutch
15	19131616	Washer 13/32 x 1 x 16 Gauge
18	135107	Trunnion
19	73680400	Nut, Crownlock 1/4-20

KEY PART NO. NO.

DESCRIPTION

20	74760644	Bolt, Hex, Fin. 3/8-16 UNC x 2-3/4
22	132561	Bracket, Lift Lever
23	76020312	Pin, Cotter 3/32 x 3/4
24	7672J	Washer 25/64 x 1-1/4 x 12 Gauge
25	121933X	Tube, Spacer
27	106932X	Knob
30	135039	Rod, Tension, Clutch
31	73930600	Nut, Centerlock 3/8-16
32	133435	Spring, Extension, Return
33	407H	Pin, Roll (Furnished with Key #13)
34	73680500	Nut, Crownlock 5/16-18
35	133603	Cap, Vinyl, Red
36	72140506	Bolt, Carriage 5/16-18 x 3/4
37	19133808	Washer 13/32 x 2-3/8 x 8 Ga.
38	19131410	Washer 13/32 x 7/8 x 10 Ga.

NOTE: All component dimensions given in U.S. inches
1 inch = 25.4 mm

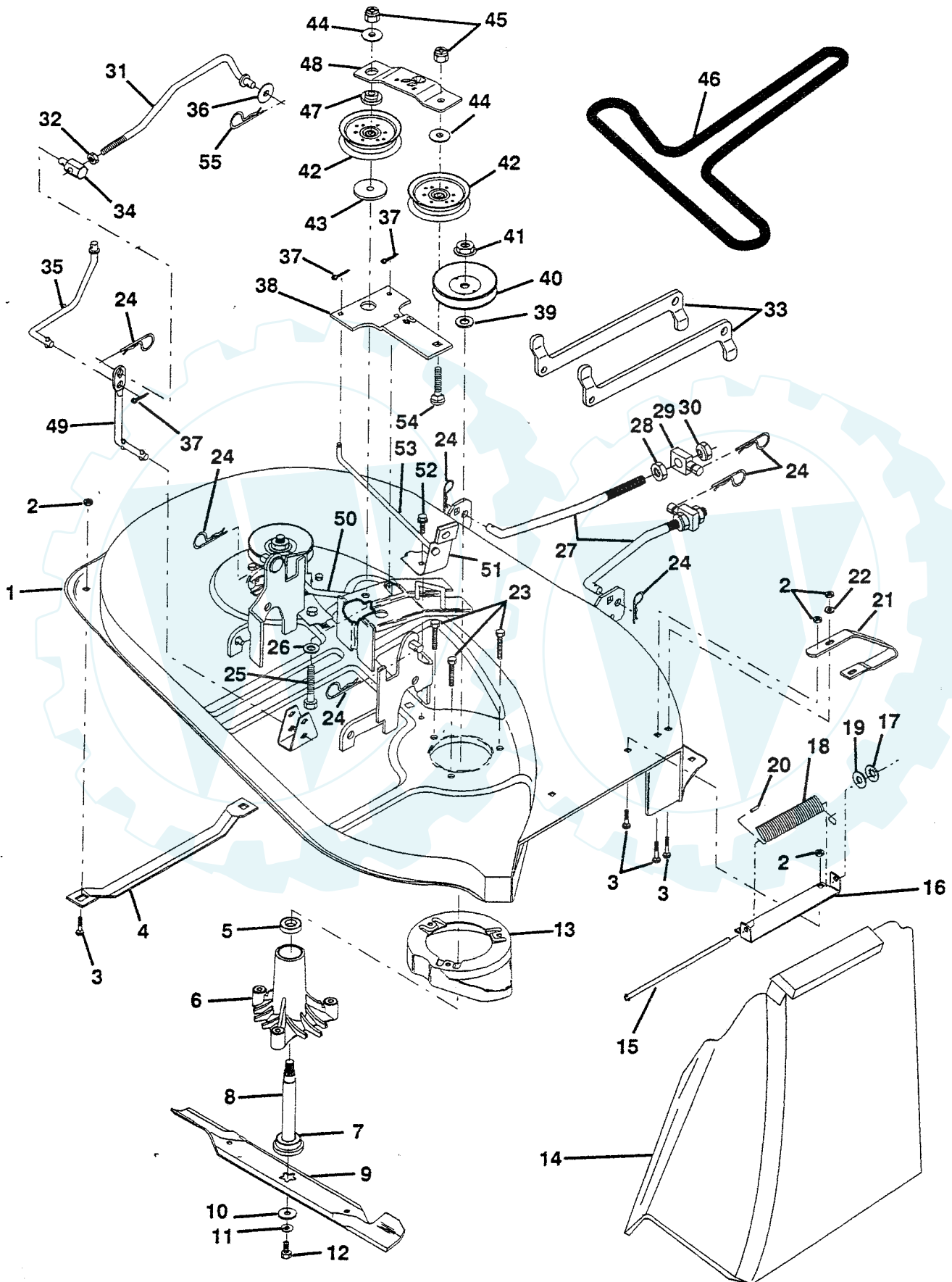
HARDWARE SHOWN LARGER FOR EASIER IDENTIFICATION

REPAIR PARTS

www.ersatzteil-service.de

12 HP 38" LAWN TRACTOR - - MODEL NUMBER NN12R38A

MOWER DECK



REPAIR PARTS

www.ersatzteil-service.de

12 HP 38" LAWN TRACTOR - - MODEL NUMBER NN12R38A

MOWER DECK

KEY NO.	PART NO.	DESCRIPTION	KEY NO.	PART NO.	DESCRIPTION
1	132564	Mower Deck Assembly	31	132553	Rod, Clutch, Primary
2	73680500	Nut, Crownlock 5/16-18	32	73350600	Nut, Hex, Jam 3/8-16
3	72140506	Bolt, Carriage 5/16-18 x 3/4	33	132559	Arm, Suspension, Rear
4	7631J	Runner, L.H.	34	133604	Trunnion 3/8-16
5	110485X	Bearing	35	132554	Rod, Clutch, Secondary
6	128774	Housing, Mandrel	36	19131316	Washer 13/32 x 13/16 x 16 Gauge
7	129895	Bearing	37	76020312	Pin, Cotter 3/32 x 3/4
8	133172	Shaft & Bearing Assembly, Mandrel (includes key #7)	38	133840	Idler Arm
9	127842	Blade, High Performance	39	129963	Washer .150 Thick
10	129962	Washer, Hard	40	129206	Pulley, Mandrel
11	10030600	Washer, Lock 3/8	41	73050900	Nut, Flangelock 9/16
12	850857	Bolt 3/8-24 x 1-1/4 Grade 8	42	131494	Pulley, Flat Idler
13	128961	Stripper, Mower, Vented	43	122052X	Spacer, Retainer
14	106736X	Shield, Deflector	44	19131612	Washer 13/32 x 1 x 12 Gauge
15	106735X	Rod, Hinge	45	73680600	Nut, Crownlock 3/8-16
16	105896X	Bracket Assembly, Deflector	46	131290	Belt
17	110452X	Pushnut	47	133502	Spacer, Idler Arm
18	106734X	Spring, Deflector	48	133503	Stiffener, Idler Arm
19	19111016	Washer 11/32 x 5/8 x 16 Gauge	49	133551	Rod, Pivot
20	105304X	Cap, Sleeve	50	131289	Rod, Brake, L.H.
21	128772	Runner, R.H.	51	130840	Brake Assembly
22	19111216	Washer 11/32 x 3/4 x 16 Gauge	52	17490512	Screw, Hex Washer Head, Thd., Roll. 5/16-18 x 3/4
23	78158	Bolt 5/16-18 x 1-1/4	53	131288	Rod, Brake, R.H.
24	4939M	Retainer, Spring	54	72110614	Bolt, Carriage 3/8-16 x 1-3/4 Grade 5
25	74600636	Bolt, Carriage 3/8-16 x 2-1/4	55	4497H	Spring, Retainer
26	19131612	Washer 13/32 x 1 x 12 Gauge	--	134370	Mower Deck, Complete
27	132256	Link Assembly, Front	--	130794	Mandrel Asm (Includes Key #'s 5-8, 10-12, 39 and 41)
28	73350800	Nut, Hex, Jam 1/2-13 UNC			
29	130171	Trunnion			
30	73800800	Locknut with Washer Insert 1/2-13 UNC			

NOTE: All component dimensions given in U.S. inches
1 inch = 25.4 mm

HARDWARE SHOWN LARGER FOR EASIER IDENTIFICATION

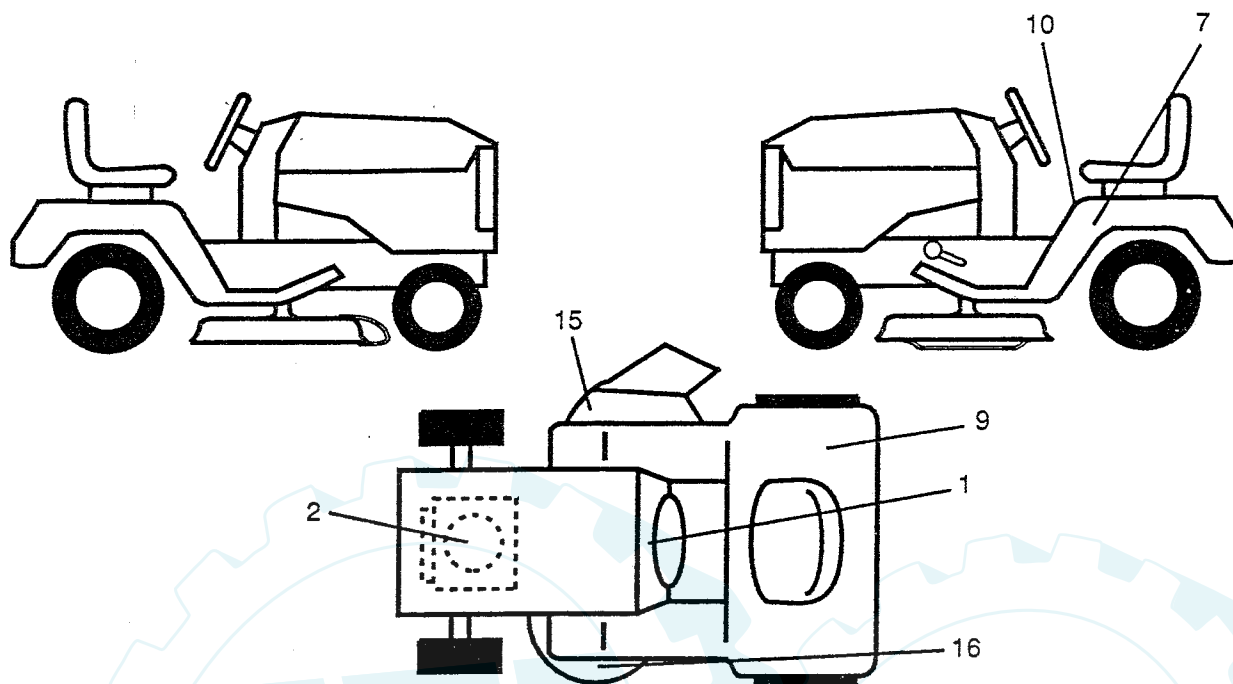
Der Ersatzteilspzialist im Internet.

REPAIR PARTS

www.ersatzteil-service.de

12 HP 38" LAWN TRACTOR - - MODEL NUMBER NN12R38A

DECALS



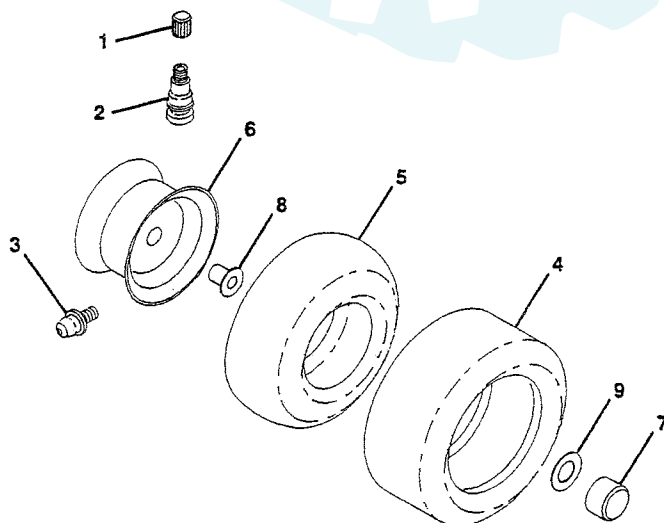
KEY PART NO. NO.

KEY PART NO. NO.	DESCRIPTION
1 123637X	Decal, Instruction, Engine
2 120601X	Decal, Engine, HP
7 132928	Decal Height Indicator
9 125690X	Decal 100DBA
10 133795	Decal, Caution

KEY PART NO. NO.

KEY PART NO. NO.	DESCRIPTION
15 121349X	Decal, Danger
16 109820X	Decal, Rotating Blades
-- 134595	Manual, Operator's, English
-- 134594	Manual, Operator's, French
-- 136605	Manual, Parts

WHEELS & TIRES



KEY PART NO. NO.

KEY PART NO. NO.	DESCRIPTION
1 59192	Cap, Valve
2 65139	Stem, Valve
3 278H	Fitting, Grease (Front Only)
4 132696	Tire, Front
5 132703	Tire, Rear
5 59904	Tube, Tire, Front
	(Not Supplied, Service Item Only)
8134H	Tube, Tire, Rear
	(Not Supplied, Service Item Only)
6 122394X361	Rim, Front
6 123412X361	Rim, Rear
7 104757X	Cap, Axle (Front and Rear)
8 9040H	Bearing, Flange (Front only)
9 121748X	Washer 25/32 x 1-5/8 x 16 Gauge

NOTE: All component dimensions given in U.S. inches
1 inch = 25.4 mm

HARDWARE SHOWN LARGER FOR EASIER IDENTIFICATION

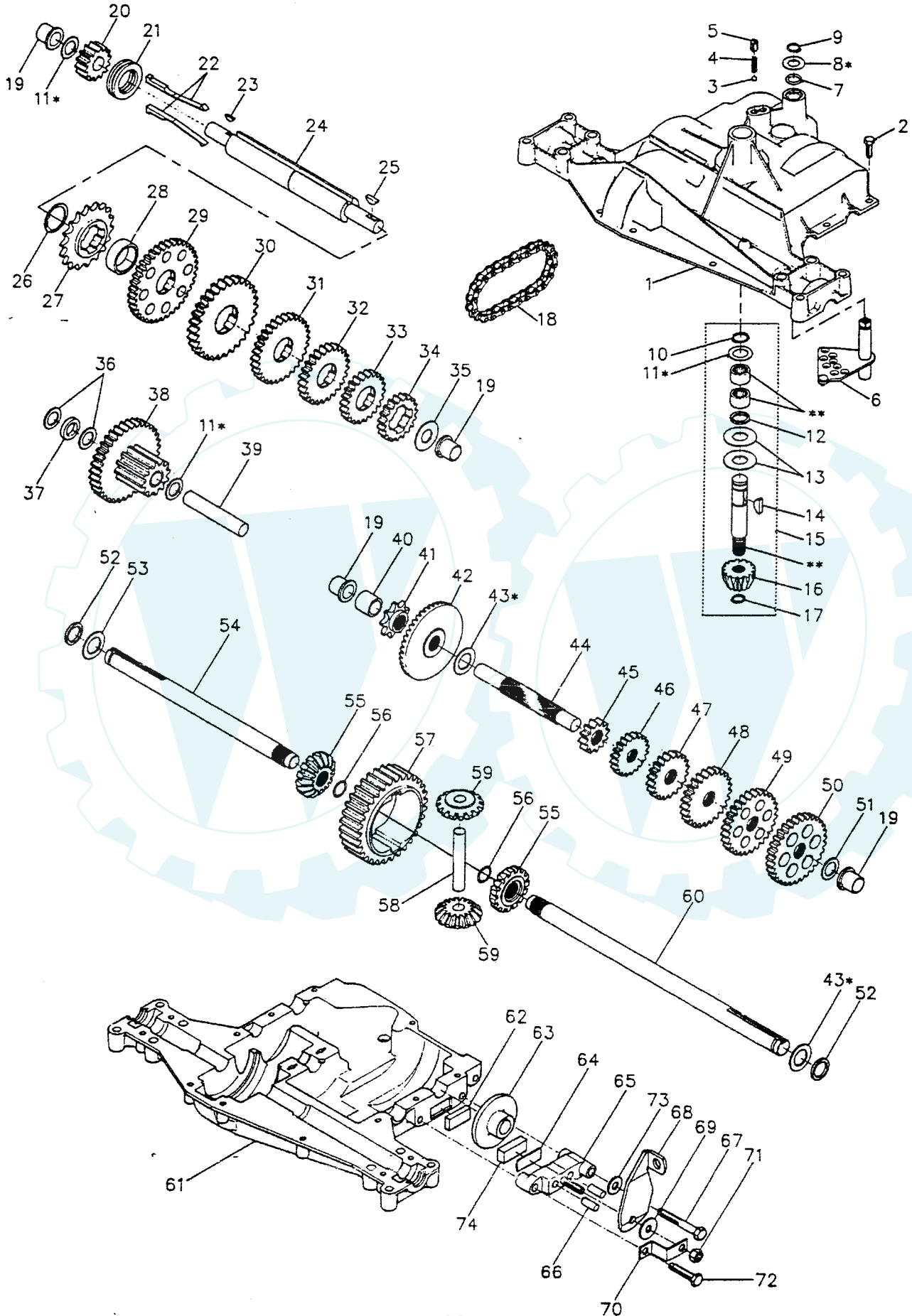
Der Ersatzteil-Spezialist im Internet.

REPAIR PARTS

12 HP 38" TRACTOR - - MODEL NUMBER NN12R38A

TRANSAXLE

www.ersatzteil-service.de



REPAIR PARTS

www.ersatzteil-service.de

12 HP 38" TRACTOR -- MODEL NUMBER NN12R38A

TRANSAXLE

KEY PART NO. NO.	DESCRIPTION	KEY PART NO. NO.	DESCRIPTION
1 3865	Housing, Upper	42 3853	Gear, Bevel, 42 Teeth
2 1919	Screw, Tapping, Large 1/4-20 x .734	43 3749	*Washer, Plain .758 x 1.12 x .010
3 1151	Ball, Detent	3652	*Washer, Plain .758 x 1.12 x .015
4 3626	Spring, Detent	3693	*Washer, Plain .758 x 1.12 x .020
5 3623	Screw, Set	3653	*Washer, Plain .758 x 1.12 x .025
6 4336	Assembly, Shifter	3408	*Washer, Plain .758 x 1.25 x .020
7 3884	O-Ring	3732	*Washer, Plain .758 x 1.25 x .025
8 3885	*Washer, Plain .505 x .942 x .006	3184	*Washer, Plain .758 x 1.25 x .031
3886	*Washer, Plain .505 x .942 x .010	3733	*Washer, Plain .758 x 1.25 x .035
3887	*Washer, Plain .505 x .942 x .015	3198	*Washer, Plain .758 x 1.25 x .040
3888	*Washer, Plain .505 x .942 x .020	3734	*Washer, Plain .758 x 1.25 x .045
3889	*Washer, Plain .505 x .942 x .026	3735	*Washer, Plain .758 x 1.25 x .050
3121	*Washer, Plain .505 x .942 x .030	3736	*Washer, Plain .758 x 1.25 x .055
3890	*Washer, Plain .505 x .942 x .040	3180	*Washer, Plain .758 x 1.25 x .062
9 1100	Ring, Retaining	44 3882	Shaft, Drive
10 1099	Ring, Retaining	45 3646	Gear, Spur, 12 Teeth
11 1959	*Washer, Plain .632 x 1.00 x .010	46 3707	Gear, Spur, 15 Teeth
1441	*Washer, Plain .632 x 1.00 x .020	47 3866	Gear, Spur, 20 Teeth
1423	*Washer, Plain .632 x 1.00 x .026	48 3719	Gear, Spur, 25 Teeth
1082	*Washer, Plain .632 x 1.00 x .031	49 3868	Gear, Spur, 28 Teeth
1424	*Washer, Plain .632 x 1.00 x .036	50 3683	Gear, Spur, 31 Teeth
1068	*Washer, Plain .632 x 1.00 x .041	51 1145	Washer, Plain .632 x 1.00 x .060
1425	*Washer, Plain .632 x 1.00 x .046	52 3191	Seal, Felt
1358	*Washer, Plain .632 x 1.00 x .050	53 3180	Washer, Plain .758 x 1.25 x .062
1145	*Washer, Plain .632 x 1.00 x .060	54 3980	Axle, Left Hand
1319	*Washer, Plain .632 x 1.00 x .082	55 3780	Gear, Miter, 15 Teeth
12 3312	O-Ring	56 3656	Ring, Retaining
13 3876	Washer, Plain .632 x 1.38 x .046	57 3839	Gear, Spur, 32 Teeth
14 1374	Key, Woodruff #9	58 3919	Shaft, Cross
15 4134	Assembly, Kit, Input Shaft	59 3781	Gear, Miter, 15 Teeth
16 3590	Pinion, Bevel, 14 Teeth	60 3981	Axle, Right Hand
17 3624	Ring, Retaining	61 3864	Housing, Lower
18 3625	Chain, 24 Pitches	62 3920	Puck, Friction
19 1542	Bearing, Flange	63 3276	Disc, Brake
20 3773	Gear, Spur, 14 Teeth	64 3758	Spacer
21 3631	Collar, Clutch	65 3916	Jaw, Brake
22 3828	Key, Clutch	66 3843	Pin, Dowel
23 1369	Key, Woodruff #3	67 3915	Screw, Tapping, Large 5/16-18 x 2.25
24 3883	Shaft, Intermediate	68 3768	Lever, Actuating
25 1375	Key, Woodruff #61	69 3760	Washer, Plain .321 x 1.00 x .055
26 3627	Ring, Retaining	70 3917	Bracket, Anti-Rotation
27 3830	Sprocket, 18 Teeth	71 3847	Locknut 5/16-24
28 3841	Spacer	72 3724	Screw, Tapping, Large 5/16-18 x 1.44
29 3786	Gear, Spur, 37 Teeth	73 3906	Washer, Plain .343 x .81 x .059
30 3785	Gear, Spur, 35 Teeth	74 3907	Puck, Friction
31 3867	Gear, Spur, 30 Teeth	75 4300	Grease
32 3783	Gear, Spur, 25 Teeth		
33 3869	Gear, Spur, 22 Teeth		
34 3741	Gear, Spur, 19 Teeth		
35 3628	Washer, Plain .640 x 1.37 x .061		
36 1423	Washer, Plain .632 x 1.00 x .026		
37 3422	Spacer .630 x 1.00 x .169		
38 4286	Assembly, Gear, Combination of 12 Teeth and 35 Teeth		
39 3877	Shaft, Idler		
40 3901	Spacer .635 x .875 x .755		
11 3645	Sprocket, 9 Teeth		

* Use In Various Combinations To Maintain Proper Clearances.

** Order Key Number 15

NOTE: All component dimensions given in U.S. inches
1 inch = 25.4 mm

Parts must be ordered from Dana Corporation.