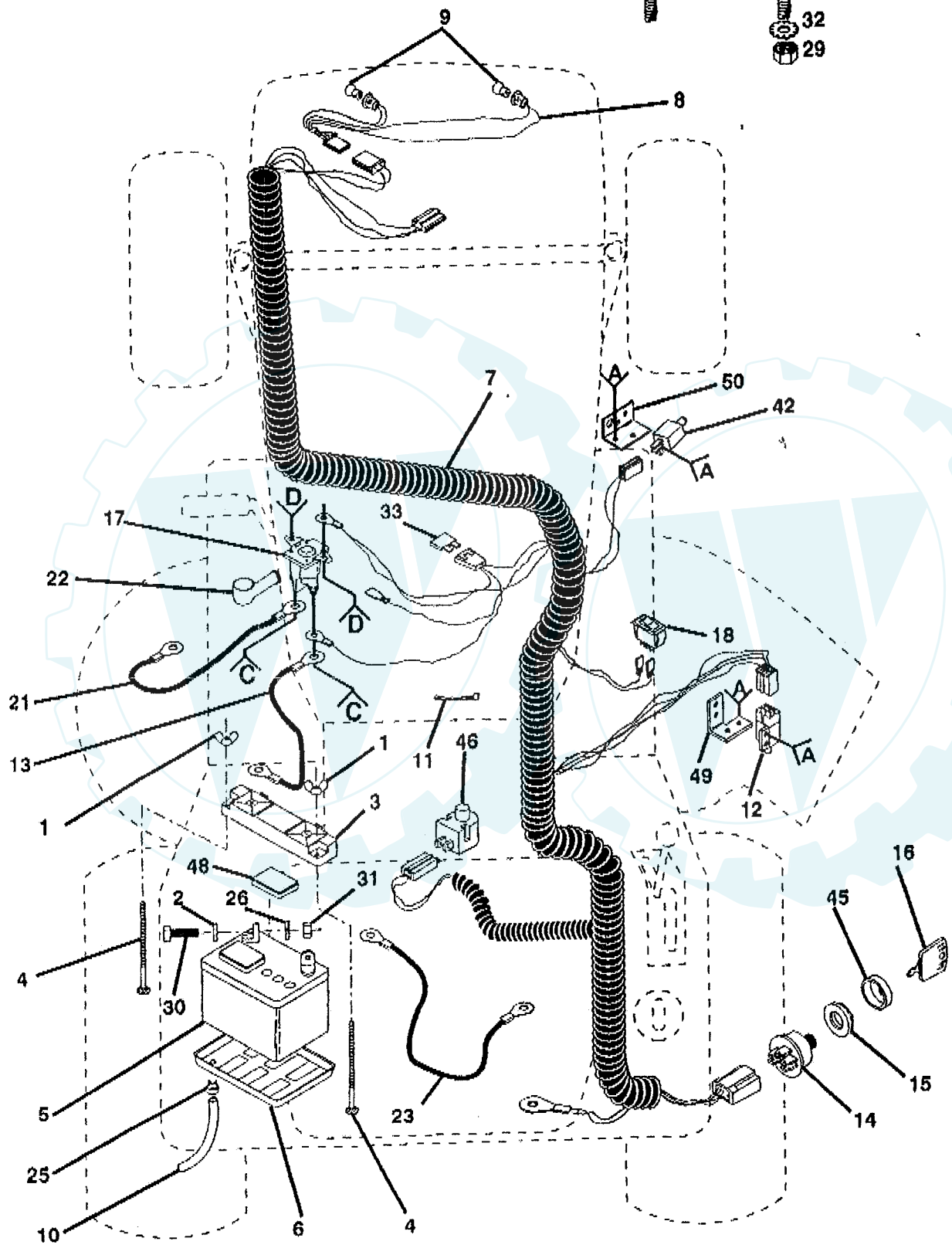
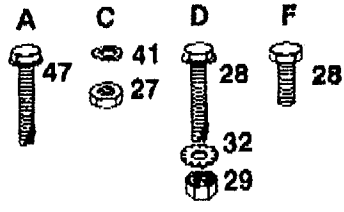


# REPAIR PARTS

[www.ersatzteil-service.de](http://www.ersatzteil-service.de)

## 14 HP TRACTOR 42" - - MODEL NUMBER MD1442A

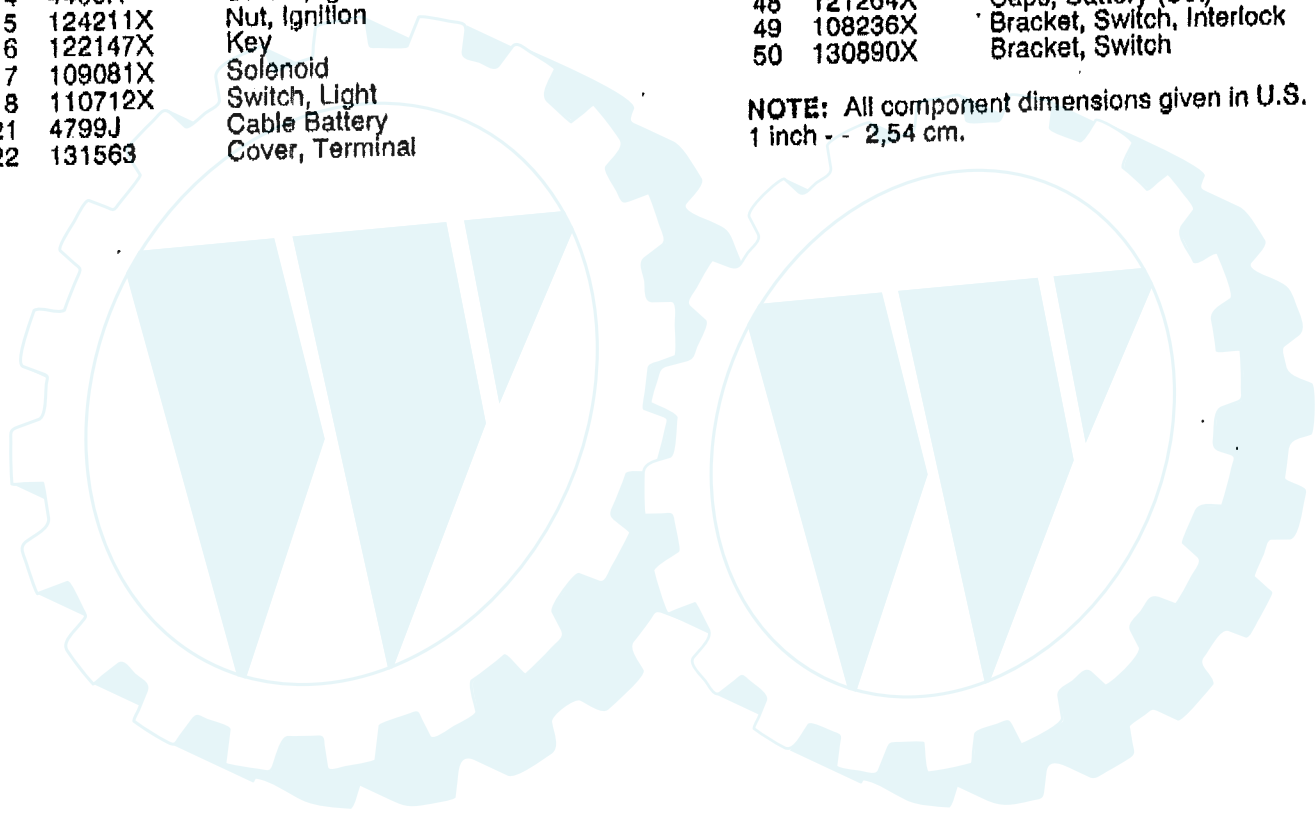
### ELECTRICAL



Der Ersatzteilspezialist im Internet.

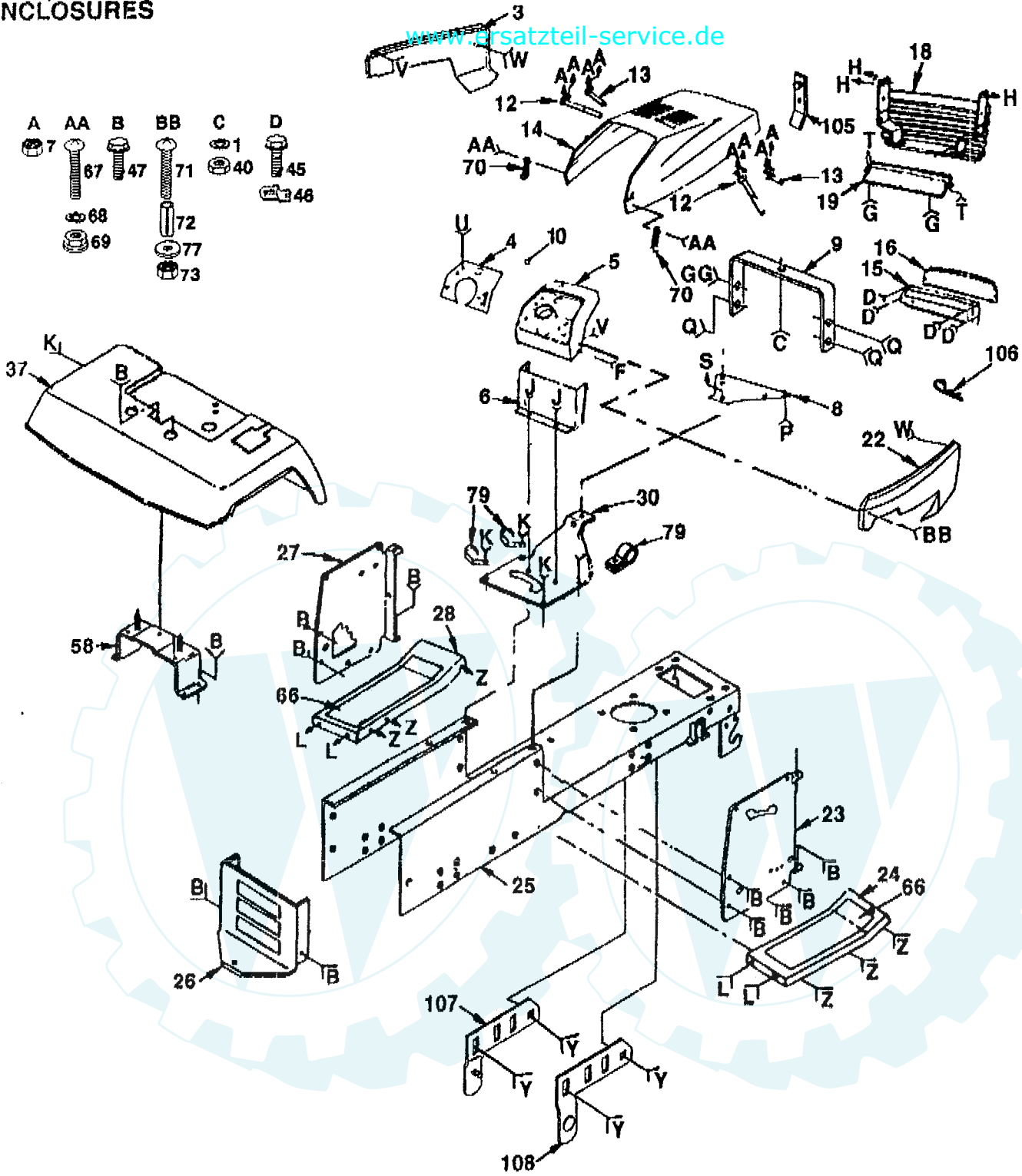
KEY NO.	PART NO.	DESCRIPTION	KEY NO.	PART NO.	DESCRIPTION
1	123198X	Nut, Wing 1/4-20	23	4207J	Cable, Battery
2	19091016	Washer 9/32 x 5/8 x 16 Ga.	25	109596X	Clamp, Hose
3	102476X	Guard, Terminal	26	10040400	Washer, Lock Heavy Helical 1/4
4	72240460	Bolt, Carriage 1/4-20 x 7-1/2	27	73350400	Nut, Hex Jam 1/4-20
5	121265X	Battery	28	74780408	Bolt, Hex 1/4-20 x 1/2 Cat. 5
6	7603J	Tray, Battery	29	73510400	Nut, Keps, Hex H 1/4-20
7	136657	Harness, Ignition	30	74760412	Bolt, Hex 1/4-20 x 3/4
8	127441X	Harness, Socket, Light	31	73220400	Nut, Hex 1/4-20
9	7662J	Bulb, Light	32	11050400	Washer, Lock External Tooth 1/4
10	7604J	Tube, Tray, Battery	33	108824X	Fuse
11	7192J	Tie, Cable	41	10090400	Washer, Lock 1/4
12	109553X	Switch, Clutch, Attachment, Interlock	42	104445X	Switch, Interlock, Clutch Pedal
13	108423X	Cable, Battery	45	123620X	Bezel, Ignition
14	4406R	Switch, Ignition	46	121305X	Switch, Plunger
15	124211X	Nut, Ignition	47	17021008	Screw, Hex Tapping #10-24 x 1/2
16	122147X	Key	48	121264X	Caps, Battery (Set)
17	109081X	Solenoid	49	108236X	Bracket, Switch, Interlock
18	110712X	Switch, Light	50	130890X	Bracket, Switch
21	4799J	Cable Battery			
22	131563	Cover, Terminal			

**NOTE:** All component dimensions given in U.S. inches.  
1 inch - - 2,54 cm.



# ENCLOSURES

[www.ersatzteil-service.de](http://www.ersatzteil-service.de)



- A 7
- AA 67
- B 47
- BB 71
- C 1
- D 45
- 68
- 69
- 72
- 77
- 73

- F 51
- G 48
- GG 41
- H 49
- J 59
- K 53
- L 41
- P 51
- Q 41
- S 56
- T 60
- U 59
- V 95
- W 31
- Y 109
- Z 65
- 42
- 43
- 44
- 45
- 46
- 47
- 48
- 49
- 50
- 51
- 52
- 53
- 54
- 55
- 56
- 57
- 58
- 59
- 60
- 61
- 62
- 63
- 64
- 65
- 66
- 67
- 68
- 69
- 70
- 71
- 72
- 73
- 74
- 75
- 76
- 77
- 78
- 79
- 80
- 81
- 82
- 83
- 84
- 85
- 86
- 87
- 88
- 89
- 90
- 91
- 92
- 93
- 94
- 95
- 96
- 97
- 98
- 99
- 100
- 101
- 102
- 103
- 104
- 105
- 106
- 107
- 108
- 109
- 110
- 111

6:03PM P.04

DEC 5, 1994

1

TO:

FROM: AYP SERVICE-SALES DIV.

## ENCLOSURES

[www.ersatzteil-service.de](http://www.ersatzteil-service.de)

KEY NO.	PART NO.	DESCRIPTION	KEY NO.	PART NO.	DESCRIPTION
1	10040400	Washer, Lock 1/4	49	123481X	Bolt, Shoulder 1/4-20
2	11050600	Washer, Lock Ext. Tooth 3/8	50	73680400	Nut, Crownlock 1/4-20
3	132637X496	Panel, Side, L.H.	51	74760620	Bolt, Hex 3/8-16 x 1-1/4
4	134829X012	Plate, Dash	53	17490608	Screw, Hex Washer Head, Thread Forming 3/8-16 x 1/2 Type TT
5	124252X	Dashboard	56	74780512	Bolt, Hex 5/16-18 x 3/4 Grade 5
6	132177	Dash, Lower	57	73510500	Nut, Keps 5/16-18
7	73510400	Nut, Hex Keps 3/8-16 UNC	58	109873X	Assembly, Bracket, Fender
8	106965X	Plate, Support, Battery	59	74180512	Screw, Truss Head 5/16-18 x 3/4
9	124130X	Support, Dash	60	17490412	Screw, Hex Washer, Head 1/4-20 x 3/4
10	5479J	Plug, Button	65	72110606	Bolt, Carriage 3/8-16 x 3/4
12	106784X	Assembly, Strap, Hinge, Rear	66	133671	Pad, Footrest
13	104618X	Assembly, Strap, Hinge, Front	67	74191008	Screw, Cross Recess Pan Head Machine #10-24 x 1/2
14	132635X496	Hood	68	10071000	Washer, Lock #10
15	124392X417	Assembly, Bezel	69	2029J	Nut, Weld
16	106395X	Lens	70	109808X	Latch, Hood
18	131718	Assembly, Grill	71	74981020	Screw, Machine Cross Recess #10-24 x 1-1/4
19	105419X496	Strap, Grill	72	7206J	Spacer, Split 10 x 3/4
22	132636X496	Panel, Side, R.H.	73	73731000	Nut, Keps 10-24
23	132069	Panel, Dash, R.H.	77	19070818	Washer 7/32 x 1/2 x 18 Ga.
24	105464X496	Footrest, R.H.	79	2751R	Clip, Line, Fuel
25	135034	Chassis	84	19111116	Washer 11/32 x 11/16 x 16 Ga.
26	130805	Drawbar	87	19131210	Washer 13/32 x 3/4 x 10 Ga.
27	132178	Panel, Dash, L.H.	95	123198X	Nut, Wing 14-20
28	105465X496	Footrest, R.H.	104	19091016	Washer, 9/32 x 3/8 x 16 Ga.
30	127543X013	Saddle	105	132644	Tab, Grill
31	19091216	Washer 9/32 x 3/4 x 16 Ga.	106	4921H	Retainer, Spring
37	126599X496	Fender	107	134774	Bracket, Asm. Pivot L.H., Mower, Rear
40	73220400	Nut, Hex 1/4-20	108	72140606	Bracket, Asm. Pivot R.H., Mower, Rear
41	74760612	Bolt, Hex 3/8-16 x 3/4	109	72110606	Bolt, Carriage 3/8-16 x 3/4
42	19131312	Washer 13/32 x 13/16 x 3/4	110	73800600	Nut, Lock, Hex w/wsh 3/8 - 16
43	73680600	Nut, Crownlock 3/8-16			
45	17211010	Screw, Hex Wsh. Hd. Tap. #10-16 x 5/8			
46	104755X	"J" Fastener			
47	17490612	Screw, Hex Washer Head, Thread Rolling 3/8-16 x 2/4 Type TT			
48	17490512	Screw, Hex Washer Head, Thread Rolling 5/16-18 x 3/4 Type TT			

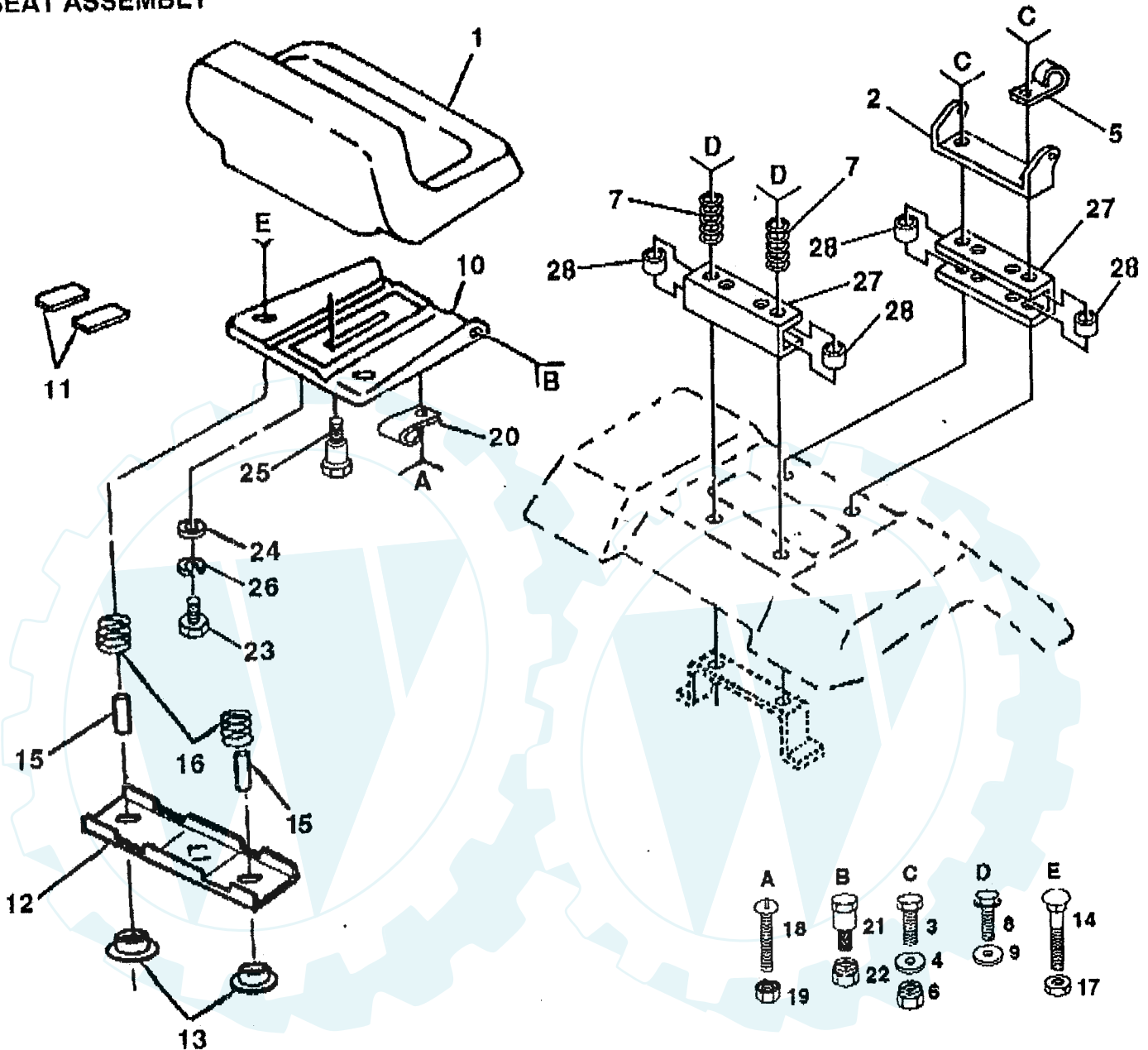
NOTE: All component dimensions given in U. S. Inches.  
1 inch = 25.4 mm

# REPAIR PARTS

www.ersatzteil-service.de

14 HP 42" TRACTOR - - MODEL NUMBER MD1442A

## SEAT ASSEMBLY



KEY NO. PART NO.

DESCRIPTION

1	127424X	Seat V400 Blk/blk Std
2	126656X	Bracket Pnt Pivot Seat (blk)
3	74760640	Bolt-hex Fin 3/8-16unc x 2-1/2
4	19131210	Washer 13/32 X 3/4 X 10 Ga
5	2751R	Clip Line Fuel 13/32 Mtg Hole
6	73680600	Nut Crownlock 3/8-16 Unc
7	124181X	Spring Seat Cprsn 2 250 Blk Zi
8	17490640	Scr-hex Wsh Thdrol 3/8-16x2-1/
9	19131614	Washer 13/32 x 1 X 14 Ga
10	131451	Pan Pnt Seat (blk)
11	121251X	Strip Foam Gray Or Black
12	121246X	Bracket Pnt Mounting Switch
13	121248X	Bushing Snap Blk Nyl 50 Id
14	72050411	Bolt Rdhd Sht Nk 1/4-20x1-3/8
15	124300X	Spacer Split 28 x 88 Zinc

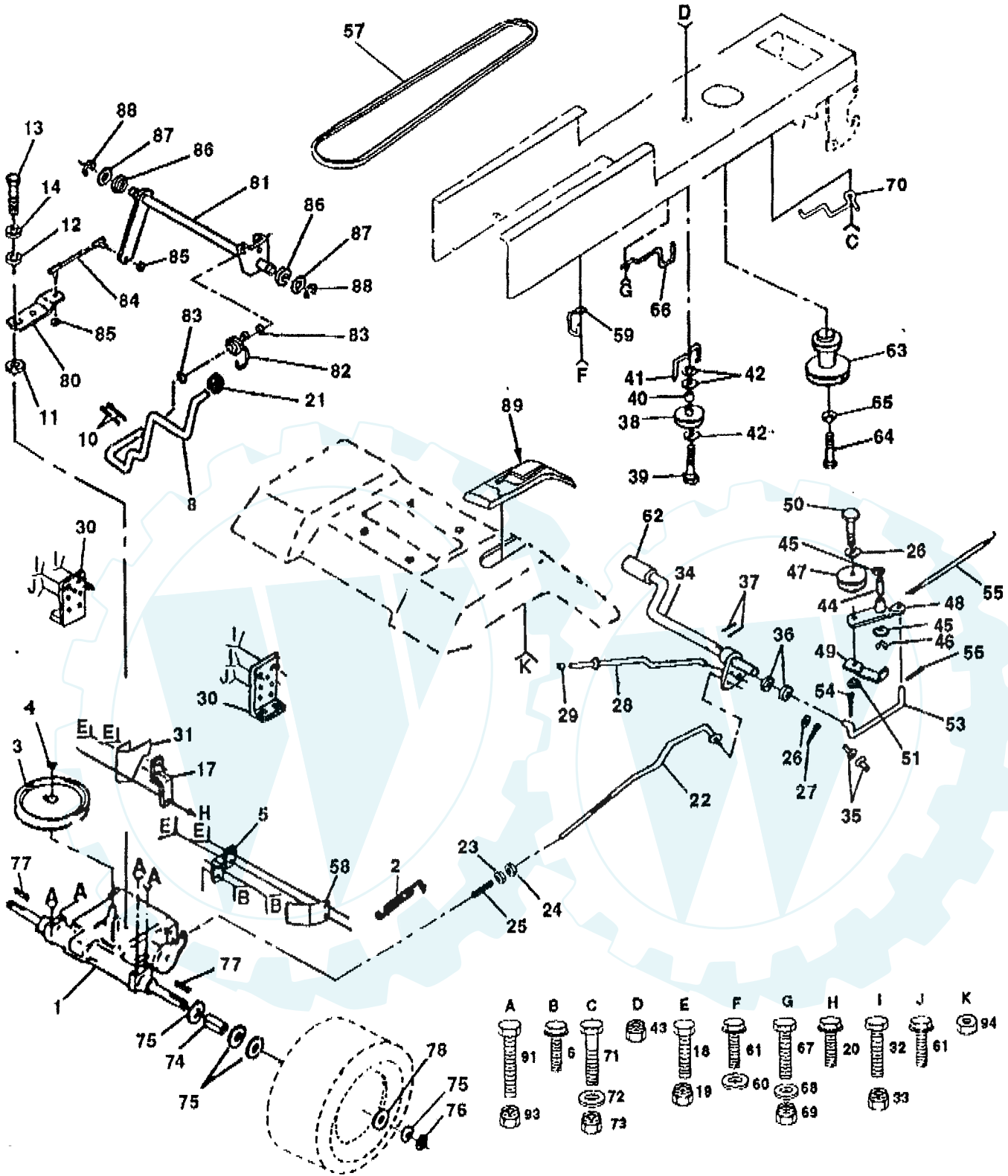
KEY NO. PART NO.

DESCRIPTION

16	121250X	Spring Cprsn 1 27 Blk Pnt
17	123976X	Nut Lock 1/4 Lge Flg Gr 5 Zinc
18	74641008	Screw SltD Pan Hd #10-32 x 1/2
19	73951000	Nut Keps #10-32 Unf
20	4171R	Clip Insulated 11/32 Mtg Hole
21	105529X	Bolt Shoulder 5/16-18 Unc Blkz
22	73680500	Nut Crown Lock 5/16-18
23	74780814	Bolt, Hex 1/2-13 x 7/8
24	19171912	Washer 17/32 x 1-3/16 x 12 Ga
25	127018X	Bolt Shoulder 5/16-18 X 62
26	10040800	Washer, Lock Hvy Hlcl 1/2
27	131772	Spacer Pnt Seat
28	131771	Spacer Split

NOTE: All component dimensions given in U.S. inches  
1 inch = 25.4 mm

Der Ersatzteilspezialist im Internet.



- A 91
- B 6
- C 71
- D 43
- E 18
- F 61
- G 67
- H 20
- I 32
- J 61
- K 94

KEY NO.	PART NO.	DESCRIPTION	KEY NO.	PART NO.	DESCRIPTION
1	120898X	Transaxle 6 Sp Dana	54	76020412	Pin, Cotter 1/8 x 3/4 Cad
2	110422X	Spring Return Brake T/a Zinc	55	105709X	Spring Return Clutch 6 75
3	123666X	Pulley Transaxle 18" tires	56	76020412	Pin, Cotter 1/8 x 3/4 Cad
4	12000028	Ring Retainer # 5100-62	57	130801	V-belt Gnd Dr
5	121520X	Strap Torque 30 Degrees	58	127290	Keeper Belt Rh
6	17490512	Screw Thdrol 5/16-18 x 3/4 Tyt	59	104777X	Retainer Belt Chassis Lh Zinc
8	127270	Rod Shifter Fender Yt 14 325lg	60	19131312	Washer 13/32 x 13/16 x 12 Ga
10	76020416	Pin, Cotter 1/8 x 1 Cad	61	17490612	Screw Thdrol 3/8-16x3/4 Ty-tt
11	105701X	Washer Plate Shf 388 Sq Hole	62	8883R	Cover Pedal Blk Round
12	19151216	Washer 15/32 x 3/4 x 16ga	63	134825	Pulley Engine
13	71040412	Bolt Fin Hex 1/4-28unfx3/4 Gr8	64	M747810100	Bolt, Hex
14	10040400	Washer Lock Hvy Helical 1/4	65	10040700	Washer, Lock Hvy Hlcl Spr 7/16
17	121520X	Strap Torque 30 Degrees	66	129921	Keeper Belt Engine Lh Lt
18	74760612	Bolt, FIN HEX 1/4-28UNFX3/4 Gr8	67	74760616	Bolt, Fin Hex 3/8-16 UNC x 1
19	73680600	Nut, Crownlock 3/8-16UNC X 3/4	68	19131312	Washer 13/32 x 13/16 x 12 Ga
20	17490512	Screw Thdrol 5/16-18 x 3/4 Tyt	69	73680600	Nut, Crownlock 3/8-16 UNC
21	106933X	Knob Rd 1/2-13 Plstc Thds Blk	70	134683	Guide Belt Dr Mower Rh
22	130804	Rod Brake Blk Zinc 26 840	71	74760616	Bolt, Fin Hex 3/8-16 UNC x 1
23	73800600	Locknut, Hex W/Wsh 3/8-16 UNC	72	19132012	Washer 13/32 x 1-1/4 x 12 Ga
24	73350600	Nut, Hex Jam 3/8-16 UNC	73	73680600	Nut, Crownlock 3/8-16 UNC
25	106888X	Spring Rod Brake 2 00 Zinc	74	109502X	Spacer Split 80x1 94 Cad/zinc
26	19131316	Washer 13/32 x 13/16 x 16 Ga.	75	121749X	Washer 25/32 x 1 1/4 x 16 Ga
27	76020412	Pin, Cotter 1/8 x 3/4 Cad	76	12000001	E Ring
28	133261	Rod Brake Parking 14 500	77	123583X	Key Square 2 0 x 1845/ 1865
29	71673	Cap Parking Brake Black	78	121748X	Washer 25/32 x 1 5/8 x 16ga
30	130807	Bracket Mtg Transaxle	80	131488	Arm Shift Transaxle
31	127275X	Keeper Belt Lh Yt 14 Ga	81	131389	Shaft Asm Shifter
32	74760512	Bolt, Hex Hd 5/16-18 x 3/4	82	123782X	Spring Torsion T/a
33	73680500	Nut, Crownlock 5/16-18	83	19171216	Washer 17/32 x 3/4 x 16ga
34	122424X	Shaft Asm Pedal Foot 1 930	84	132182	Rod Tie Shf Adj Ball Jt 3.710
35	120183X	Bearing Nylon Blk 629 ld	85	73530400	Nut Nylock 1/4-28
36	19211616	Washer 21/32 X 1 X 16 Ga.	86	127272X	Bushing Pivot W/ 180 Step Pm
37	1572H	Roll Pin 3/16 x 1	87	126591X	Washer Shim 53 x 1 25 x 0598
38	123674X	Pulley Idler Flat	88	12000003	E Ring
39	74760644	Bolt, Fin Hex 3/8-16UNC x 2-3/4	89	131636	Console Shift 6sp W/ign Lt
40	4470J	Spacer Split 395 x 59 Bzp	91	74760540	Bolt Fin Hex 5/16-18uncx 2-1/2
41	109070X	Keeper Belt Retainer	93	73680500	Nut, Crownlock 5/16-18
42	19131312	Washer 13/32 x 13/16 x 12 Ga	94	124346X	Nut, Self-Thd wsh-hd 1/4
43	73680600	Nut, Crownlock 3/8-16 UNC			
44	105706X	Bearing Nyl 503 x 628 x 1 25			
45	110812X	Washer Hardened			
46	12000039	Ring Klip #15304-50			
47	127783	Pulley Idler V Groove Plastic			
48	123789X	Bellcrank Asm			
49	123205X	Retainer Belt Style Spring			
50	74760624	Bolt, Hex Hd 3/8-16 UNC x 1-1/2			
51	73680600	Nut, Crownlock 3/8-16 UNC			
53	105710X	Link Clutch 7 66			

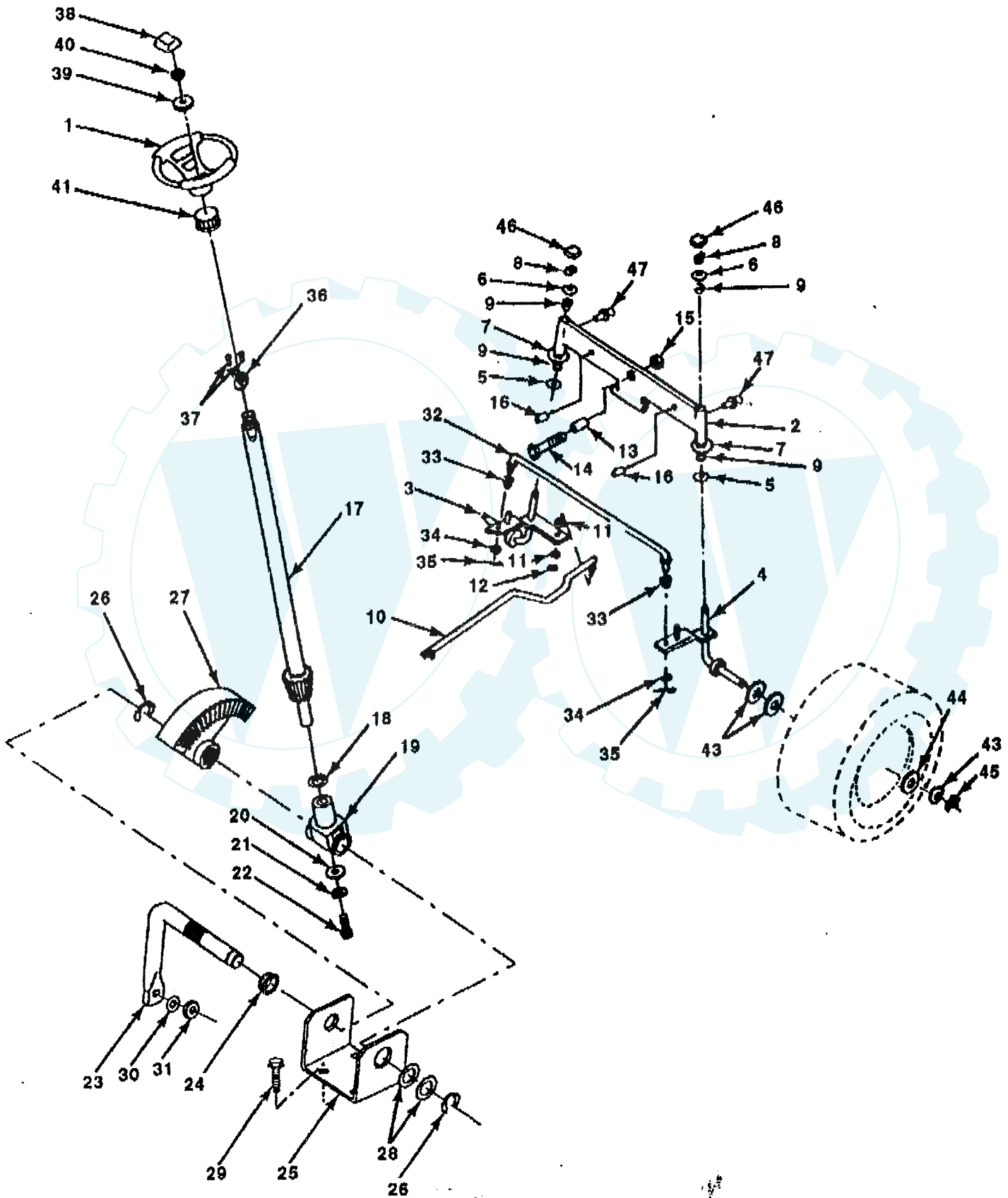
NOTE: All component dimensions given in U.S. inches  
1 inch = 25.4 mm

# REPAIR PARTS

[www.ersatzteil-service.de](http://www.ersatzteil-service.de)

## 14 HP 42" TRACTOR - - MODEL NUMBER MD1442A

### STEERING ASSEMBLY



Der Ersatzteilspzialist im Internet.



# REPAIR PARTS

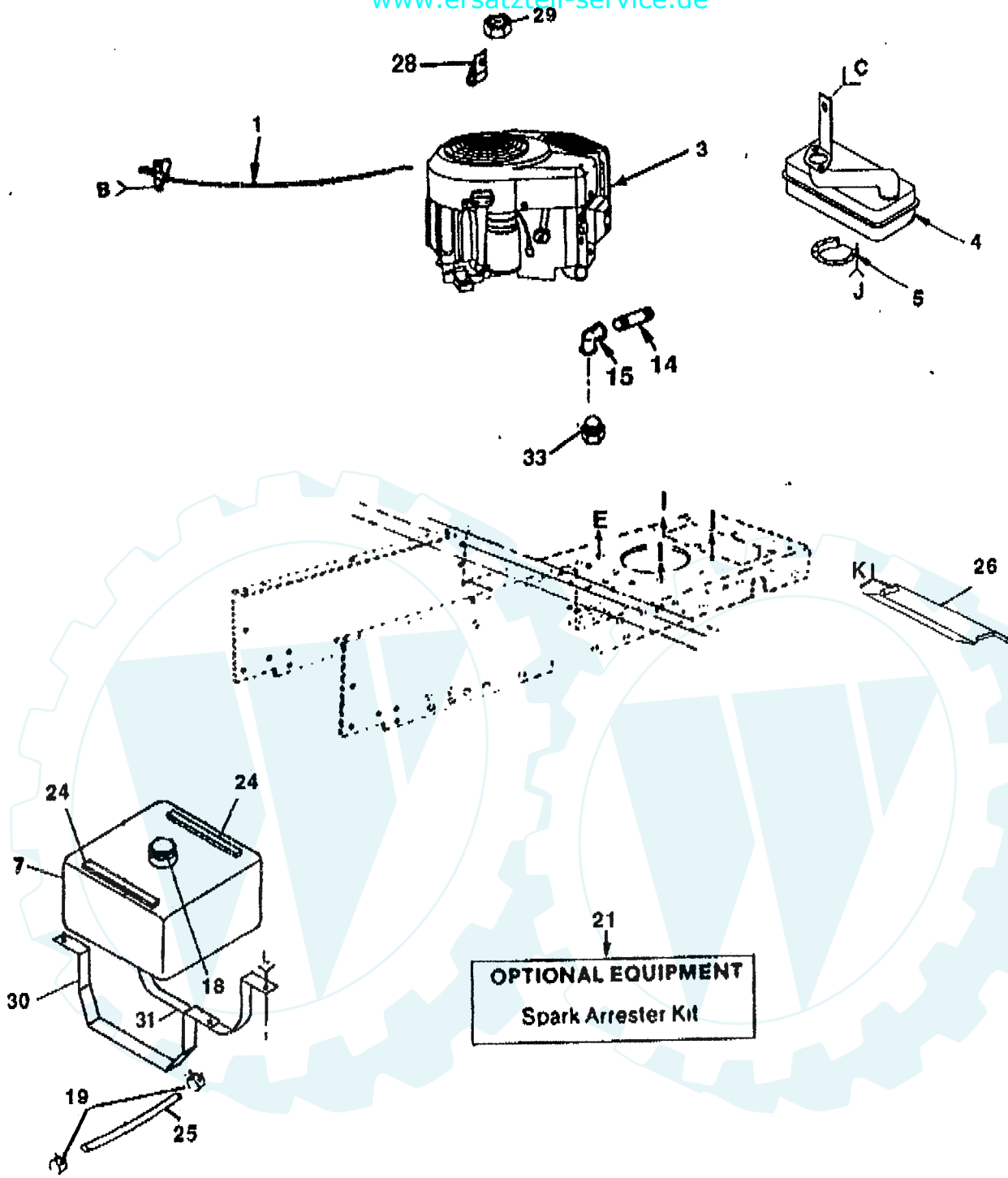
[www.ersatzteil-service.de](http://www.ersatzteil-service.de)

## 14 HP 42" TRACTOR - - MODEL NUMBER MD1442A

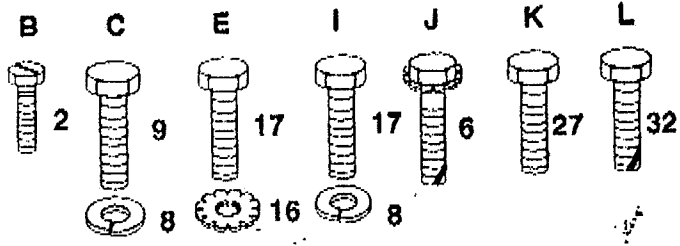
### STEERING ASSEMBLY

KEY NO.	PART NO.	DESCRIPTION
1	133741	Wheel, Steering
2	133988	Axle, Assembly, Front
3	135227	Spindle, Assembly, L.H.
4	135228	Spindle, Assembly, R.H.
5	6266H	Bearing, Thrust
6	121748X	Washer 25/32 x 1-5/8 x 16 Ga.
7	19272016	Washer 27/32 x 1-1/4 x 16 Ga.
8	12000029	Ring, Klip
9	3366R	Bearing
10	130468	Link, Drag
11	10040600	Washer, Lock 3/8
12	73610600	Nut, Hex 3/8-24
13	110438X	Spacer, Bearing, Front Axle
14	74011056	Bolt, Hex 5/8-11 x 3-1/2
15	73601000	Locknut, Flange 5/8-11
16	132624	Pin, Axle 5/8 x 1.55/1.54 LG.
17	128758	Shaft, Steering
18	57079	Washer
19	124035X	Support, Shaft
20	126684X	Washer, Shim 1/4 x 5/8 x .062
21	10040400	Washer, Lock Heavy Helical 1/4
22	71070410	Screw, Socket, Hex 1/4-20 x 5/8
23	127501	Shaft, Pitman
24	109816X	Nyliner, Snap-in
25	124036X	Bracket, Assembly, Steering
26	12000029	Ring, Klip
27	124034X	Gear, Sector
28	6266H	Bearing Race Thrust Harden
29	17490612	Screw, Hex Washer Thread Rolling 3/8-16 x 3/4
30	10040600	Washer, Lock 3/8
31	73610600	Nut, Hex 3/8-24
32	130465	Rod, Tie
33	126847X	Bushing
34	19131416	Washer 13/32 x 7/8 x 16 Ga.
35	76020412	Pin, Cotter 1/8 x 3/4
36	1554J	Bushing, Srg. Blk .742/.747 Id
37	17431008	Screw, Siftp #10-16 x 1/2 Ty-B
38	133742	Insert, Steering Wheel
39	100712K	Washer 17/32 x 2-1/4 x .160
40	73940800	Nut, Hex Jam Toplock Jam 1/2-20
41	100711L	Adapter, Wheel, Steering
43	121749X	Washer 25/32 x 1-1/4 x 16 Ga.
44	121748X	Washer 25/32 x 1-5/8 x 16 Ga.
45	12000029	Ring, Klip
46	121232X	Cap, Spindle
47	6855M	Fitting, Grease

**NOTE:** All component dimensions given in U.S. inches.  
1 Inch = 25.4mm



**OPTIONAL EQUIPMENT**  
Spark Arrester Kit



FROM: RYP SERVICE-SALES DIV. TO: 1 DEC 5, 1994 6:08PM P.12

KEY NO.	PART NO.	DESCRIPTION
1	<del>185502</del>	Control, Throttle <b>132751</b>
2	17720410	Screw, Hex Thread Cut 1/4-20 x 5/8
3	-----	Engine Kohler
4	124196X	Muffler
5	101326L	Deflector, Muffler
6	17030808	Screw, Spider Lock, Hex Head #8 x 1/2 AB
7	127813	Tank, Fuel
8	10040500	Washer, Lock Heavy Helical Spring
9	74760508	Bolt, Hex Head 5/16-18 UNC x 1/2
14	13280336	Pipe Nipple, Standard
15	13200300	90° Elbow 3/8 NPT
16	11050500	Washer, Lock External Tooth
17	M740108025	Bolt Hex
18	123549X	Cap, Fuel
19	123487X	Clamp, Hose
21	121851X	Spark Arrester Kit
24	126564X	Strip, Foam
25	5277J	Line, Fuel
26	128953	Shield, Heating Browning
27	17021008	Screw, Tap Hex 10-24 UNC x 1/2
28	2751R	Clip, Line, Fuel
29	73680600	Nut, Crownlock
30	123803X	Strap, Fuel Tank
31	136360	Strap Asm., Fuel Tank w/clip
32	17490608	Screw, Thdrol 3/8 - 16 x 1/2
33	-----	Plug, Oil Drain (order from Engine Mfg.)

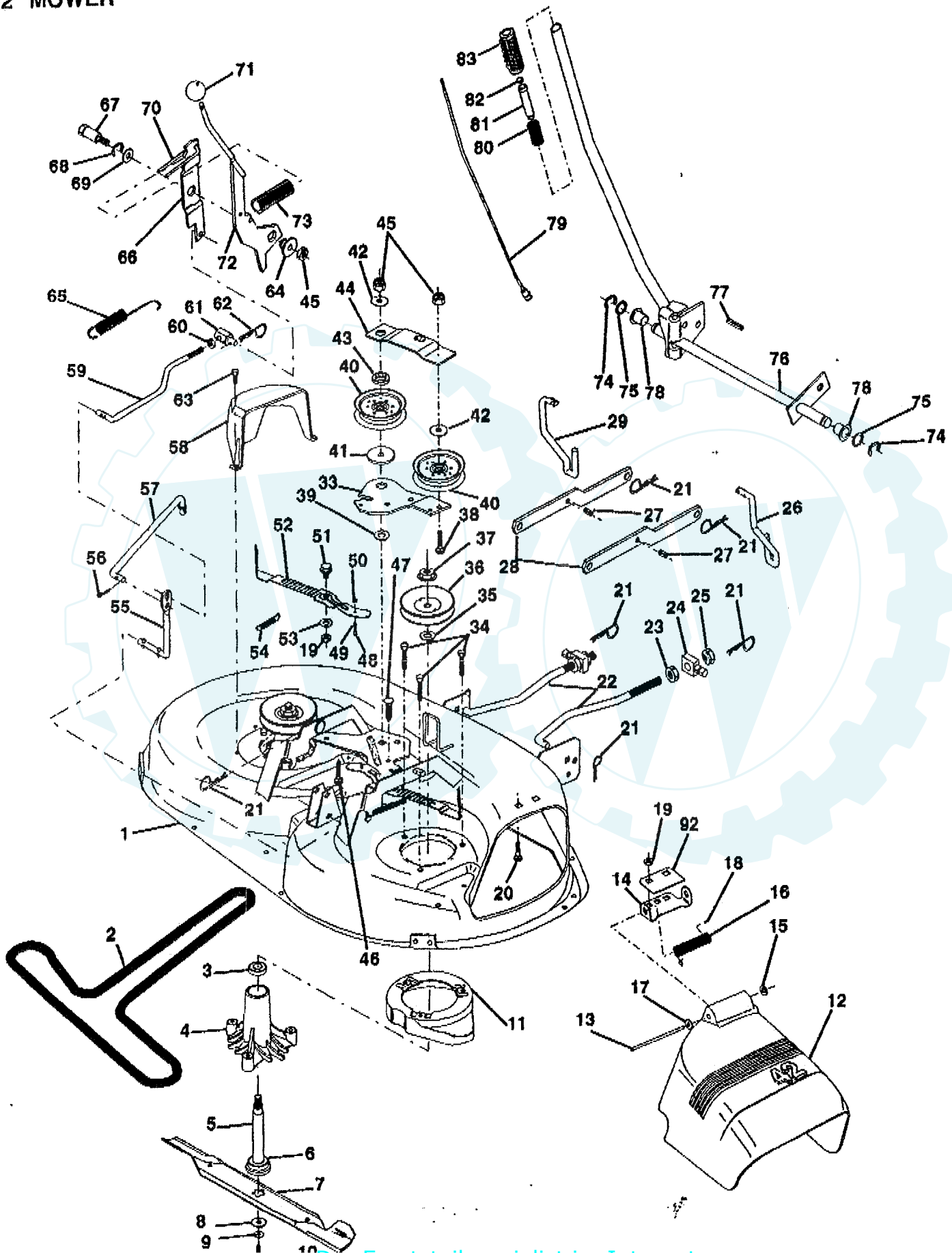
NOTE: All component dimensions given in U.S. inches.  
1 inch = 25.4 mm

# REPAIR PARTS

[www.ersatzteil-service.de](http://www.ersatzteil-service.de)

## 14 HP 42" TRACTOR -- MODEL NUMBER MD1442A

### 42" MOWER



Der Ersatzteilspezialist im Internet.

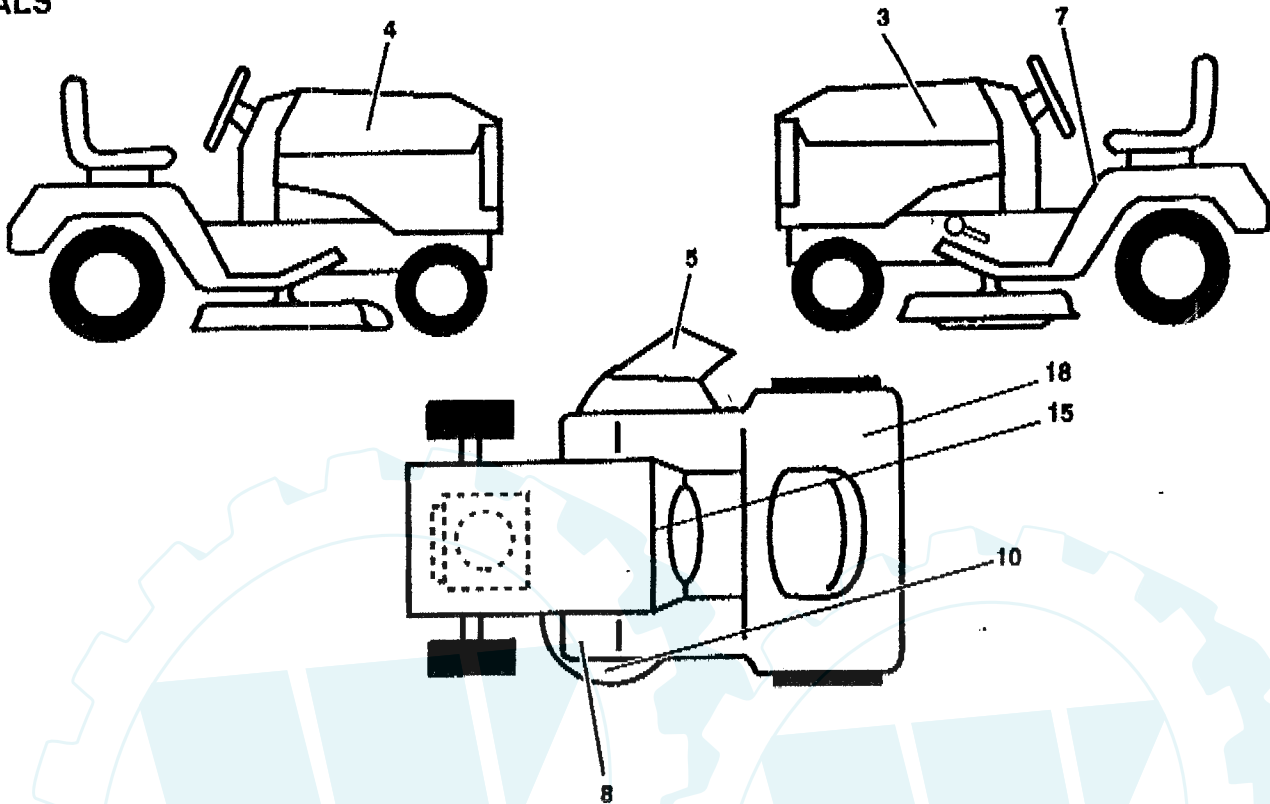
KEY PART NO. NO.	DESCRIPTION	KEY PART NO. NO.	DESCRIPTION
1 130970	Deck Asm Mower 42"	51 105529X	Bolt Shoulder 5/16 - 18 Unc
2 130969	V-belt Mower 42"	52 131845	Arm Asm Pad Brake
3 110485X	Bearing Ball Mandrel	53 133944	Washer Hardened Smaller
4 128774	Housing Mandrel Vented	54 131335	Spring Extension
5 133172	Shaft Asm Mandrel Vented (Includes key #6)	55 133551	Rod Pivot W/Nibs
6 129895	Bearing Ball #6204	56 76020312	Pin Cotter 3/32 x 3/4
7 127843	Blade Mower High Lift Perf 42"	57 133504	Rod Clutch Secondary W/Nibs
8 129962	Washer Hard Blade Mower Vented	58 131857	Guard Mandrel Lh
9 10030600	Washer Lock Hvy 3/8	59 133550	Rod Clutch Primary W/Nibs
10 850857	Bolt 3/8 - 24 x 1.25 Gr 8 Patched	60 73350600	Nut Hex Jam 3/8 x 16 Unc
11 128961	Stripper Mower Vented	61 133205	Trunnion Adj 3/8 -16 Unc x 1.30
12 130968	Shield Deflector 42"	62 4497H	Spring Retainer 1
13 131491	Rod Hinge 42"	63 17720410	Screw Hex Thd Cut 1/4 - 20 x 5/8 T
14 131267	Bracket Deflector Mower 42"	64 127498	Bushing
15 110452X	Nut PushPhos & Oil	65 131870	Spring Ext. Return
16 123713X	Spring Torsion Deflector 42"	66 127847	Arm Clutch secondary
17 19111016	Washer 11/32 x 5/8 x 16 Ga	67 128903	Bolt Shoulder 3/8 - 16 Unc 1.44
18 105304X	Cap Sleeve	68 12000029	Ring Klip
19 73680500	Nut Crownlock 5/16 - 18	69 121748X	Washer 25/32 x 1-5/8 x 16 Ga
20 72140506	Bolt Rdhd Sqnk 5/16 - 18 x 3/4	70 127845	Keeper Spring
21 4939M	Retainer Spring	71 132044	Cover Handle Round
22 127218	Link Front	72 131813	Arm Clutch Primary
23 73350800	Nut Jam Hex 1/2 - 13 Unc	73 128759	Spring Clutch Mower
24 130171	Trunnion	74 12000002	Ring E #5133-62
25 73800800	Locknut w/wsh 1/2-13Unc	75 19211416	Washer 21/32 x 7/8 x 16 Ga.
26 135388	Link Lift Rh	76 132172	Shaft Asm Lift
27 135563	Pin Spring Sltd 5/16	77 105767X	Pin, Groove
28 130833	Arm Asm Suspension Rear(Inc. Key No. 27)	78 120183X	Bearing Nylon Blk
29 134619	Link Lift Lh	79 132175	Rod Asm Lever
33 133844	Arm Idler 42"	80 122512X	Spring Cprsn
34 78158	Bolt 5/16-18 x 1.25 T/T	81 122364X	Plunger Lever Lift
35 129963	Washer Spacer Mower Vented	82 124526X	Button Plunger Blk
36 129881	Pulley Mandrel 42"	83 109413X	Grip Handle Bicycle
37 73050900	Nut 9/16 Top Lock Flng Oil Dip	92 134753	Stiffner, Bracket
38 72110614	Bolt Rdhd 3/8-16 Unc x 1-3/4 Gr5	-- 136322	Deck Service 42" HP Mech.
39 133943	Washer Hardened	-- 130794	Mandrel Asm. (Includes Key #'s 3- 6, 8-10 and 37)
40 131494	Pulley Idler Flat		
41 122052X	Spacer Retainer Pm Mower		
42 19131612	Washer 13/32 x 1 x 12 Ga		
43 133502	Spacer Arm Idler Upper Hdn 42"		
44 133503	Stiffener Arm Idler Upper 42"		
45 73680600	Nut Crownlock 3/8 - 16 Unc		
46 72110818	Bolt Rdhd Sqnk 3/8 - 16 x 2-1/4		
47 133835	Fastener Christmas Tree		
48 131340	Bolt Shldr #10 - 24 Gr 5		
49 133940	Roller Asm Cam Follower 42" Deck		
50 69180	Nut Lock #10 - 24 Unc		

NOTE: All component dimensions given in U.S. Inches.  
1 inch = 25.4 mm

# REPAIR PARTS

14 HP TRACTOR 42" -- MODEL NUMBER MD1442A

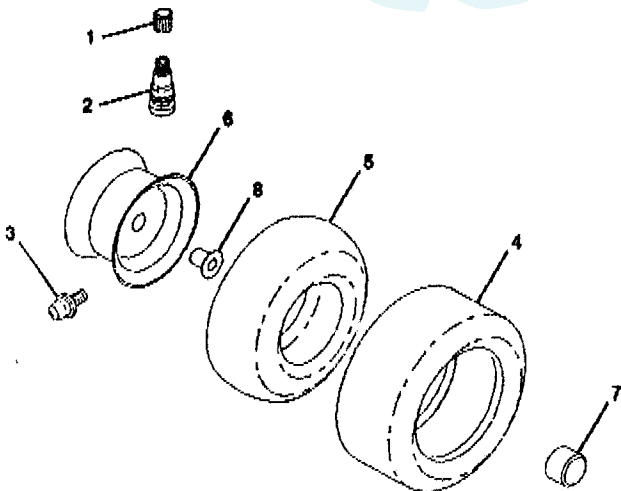
## DECALS



KEY NO.	PART NO.	DESCRIPTION
3	136615	Decal, Hood Stripe L.H.
4	136614	Decal, Hood Stripe R.H.
5	121349X	Decal, Danger, Deflector
7	133795	Decal, Caution
8	101892X	Decal, Clutch/Brake
10	109820X	Decal, Rotating Blades

KEY NO.	PART NO.	DESCRIPTION
15	109821X	Decal, Instruction, Operating
18	125690X	D 100 DBA
--	132704	Manual, Operator's E/F
--	136620	Manual, Parts E/F

## WHEELS & TIRES

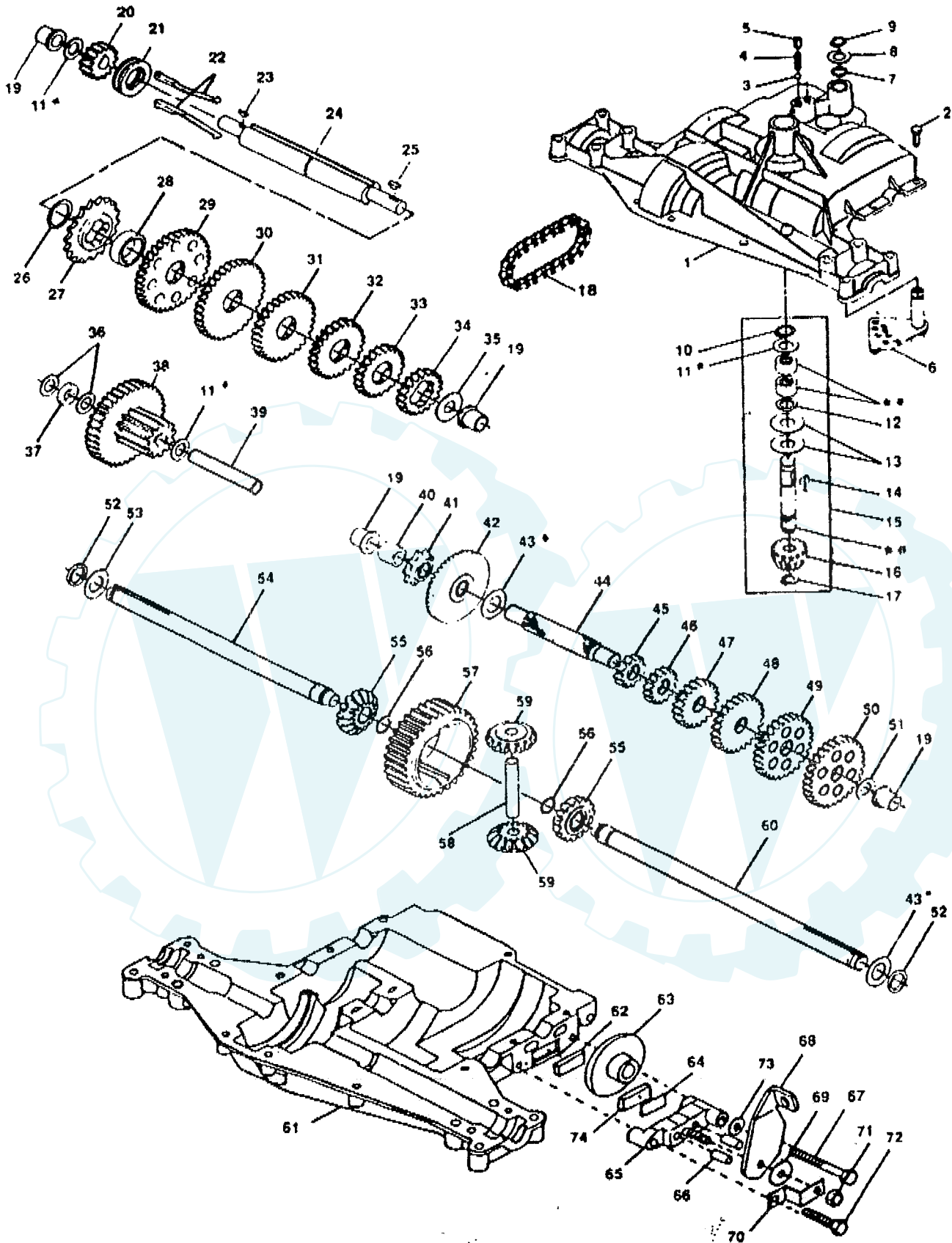


KEY NO.	PART NO.	DESCRIPTION
1	59192	Cap Valve Tire
2	65139	Stem, Valve
3	278H	Fitting, Grease (Front Wheel Only)
4	106222X	Tire FTs 15x60-6 Service
4	106268X	Tire 18 x 9.5 - 8 C Service
5	59904	Tube, Front (Optional Service Item Only)
5	7152J	Tube, Rear (Optional Service Item Only)
6	106732X311	Rim Assembly 6" Front
6	106108X311	Rim Assembly 8" Rear
7	104757X	Cap Axle Bik 1 50 X 1 00
8	9040H	Bearing

NOTE: All component dimensions given in U.S. inches.  
1 inch -- 2,54 cm.

# TRANSAXLE DANA - - MODEL NUMBER 4360-07

[www.ersatzteil-service.de](http://www.ersatzteil-service.de)



1 DEC 5, 1994 6:11PM P.16

TO: FROM:RYP SERVICE-SALES DIV.

# REPAIR PARTS

www.ersatzteil-service.de

14 HP 42" TRACTOR - - MODEL NUMBER MD1442A

TRANSAXLE DANA - - MODEL NUMBER 4360-07

KEY PART NO.	NO.	DESCRIPTION	KEY PART NO.	NO.	DESCRIPTION
1	3865	Housing, Upper	41	3645	Sprocket, 9 Teeth
2	1919	Screw, Tapping, Large 1/4-20 x .734	42	3853	Gear, Bevel, 42 Teeth
3	1151	Ball, Detent	43	3749	* Washer, Plain .758 x 1.12 x .010
4	3626	Spring, Detent		3652	* Washer, Plain .758 x 1.12 x .015
5	3623	Screw, Set		3693	* Washer, Plain .758 x 1.12 x .020
6	4336	Assembly, Shifter		3653	* Washer, Plain .758 x 1.12 x .025
7	3884	O-Ring		3408	* Washer, Plain .758 x 1.25 x .020
8	3885	* Washer, Plain .505 x .942 x .006		3732	* Washer, Plain .758 x 1.25 x .025
	3886	* Washer, Plain .505 x .942 x .010		3184	* Washer, Plain .758 x 1.25 x .031
	3887	* Washer, Plain .505 x .942 x .015		3733	* Washer, Plain .758 x 1.25 x .035
	3888	* Washer, Plain .505 x .942 x .020		3198	* Washer, Plain .758 x 1.25 x .040
	3889	* Washer, Plain .505 x .942 x .026		3734	* Washer, Plain .758 x 1.25 x .045
	3121	* Washer, Plain .505 x .942 x .030		3735	* Washer, Plain .758 x 1.25 x .050
	3890	* Washer, Plain .505 x .942 x .040		3736	* Washer, Plain .758 x 1.25 x .055
9	1100	Ring, Retaining		3180	* Washer, Plain .758 x 1.25 x .062
10	1099	Ring, Retaining	44	3882	Shaft, Drive
11	1959	* Washer, Plain .632 x 1.00 x .010	45	3646	Gear, Spur, 12 Teeth
	1441	* Washer, Plain .632 x 1.00 x .020	46	3707	Gear, Spur, 15 Teeth
	1423	* Washer, Plain .632 x 1.00 x .026	47	3866	Gear, Spur, 20 Teeth
	1082	* Washer, Plain .632 x 1.00 x .031	48	3719	Gear, Spur, 25 Teeth
	1424	* Washer, Plain .632 x 1.00 x .036	49	3868	Gear, Spur, 28 Teeth
	1068	* Washer, Plain .632 x 1.00 x .041	50	3683	Gear, Spur, 31 Teeth
	1425	* Washer, Plain .632 x 1.00 x .046	51	1145	Washer, Plain .632 x 1.00 x .060
	1358	* Washer, Plain .632 x 1.00 x .050	52	3191	Seal, Felt
	1145	* Washer, Plain .632 x 1.00 x .060	53	3180	Washer, Plain .758 x 1.25 x .062
	1319	* Washer, Plain .632 x 1.00 x .082	54	3880	Axle, Left Hand
12	3312	O-Ring	55	3780	Gear, Miter, 15 Teeth
13	3876	Washer, Plain .632 x 1.38 x .046	56	3656	Ring, Retaining
14	1374	Key, Woodruff #9	57	3839	Gear, Spur, 32 Teeth
15	4134	Assembly, Kit, Input Shaft	58	3919	Shaft, Cross
16	3590	Pinion, Bevel, 14 Teeth	59	3781	Gear, Miter, 15 Teeth
17	3624	Ring, Retaining	60	3881	Axle, Right Hand
18	3625	Chain, 24 Pitches	61	3864	Housing, Lower
19	1542	Bearing, Flange	62	3920	Puck, Friction
20	3773	Gear, Spur, 14 Teeth	63	3276	Disc, Brake
21	3631	Collar, Clutch	64	3758	Spacer
22	3828	Key, Clutch	65	3916	Jaw, Brake
23	1369	Key, Woodruff	66	3843	Pin, Dowel
24	3883	Shaft, Intermediate	67	3915	Screw, Tapping, Large 5/16-18 x 2.25
25	1375	Key, Woodruff #61	68	3768	Lever, Actuating
26	3627	Ring, Retaining	69	3760	Washer, Plain .321 x 1.00 x .055
27	3830	Sprocket, 18 Teeth	70	3917	Bracket, Anti-Rotation
28	3841	Spacer	71	3847	Locknut 5/16-24
29	3786	Gear, Spur, 37 Teeth	72	3724	Screw, Tapping, Large 5/16-18 x 1.44
30	3785	Gear, Spur, 35 Teeth			Washer, Plain .343 x .81 x .059
31	3867	Gear, Spur, 30 Teeth	73	3906	Puck, Friction
32	3783	Gear, Spur, 25 Teeth	74	3907	Grease
33	3869	Gear, Spur, 22 Teeth	75	4300	
34	3741	Gear, Spur, 19 Teeth			
35	3628	Washer, Plain .640 x 1.37 x .061			
36	1423	Washer, Plain .632 x 1.00 x .026			
37	3422	Spacer .630 x 1.00 x .169			
38	4286	Assembly, Gear, Combination of 12 Teeth and 35 Teeth			
39	3877	Shaft, Idler			
40	3901	Spacer .635 x .875 x .755			

\* Use In Various Combinations To Maintain Proper Clearances.

\*\* Order Key Number 15

NOTE: All component dimensions given in U.S. inches  
1 inch = 25.4 mm

Parts must be ordered from Dana Corp.

Der Ersatzteilspezialist im Internet.