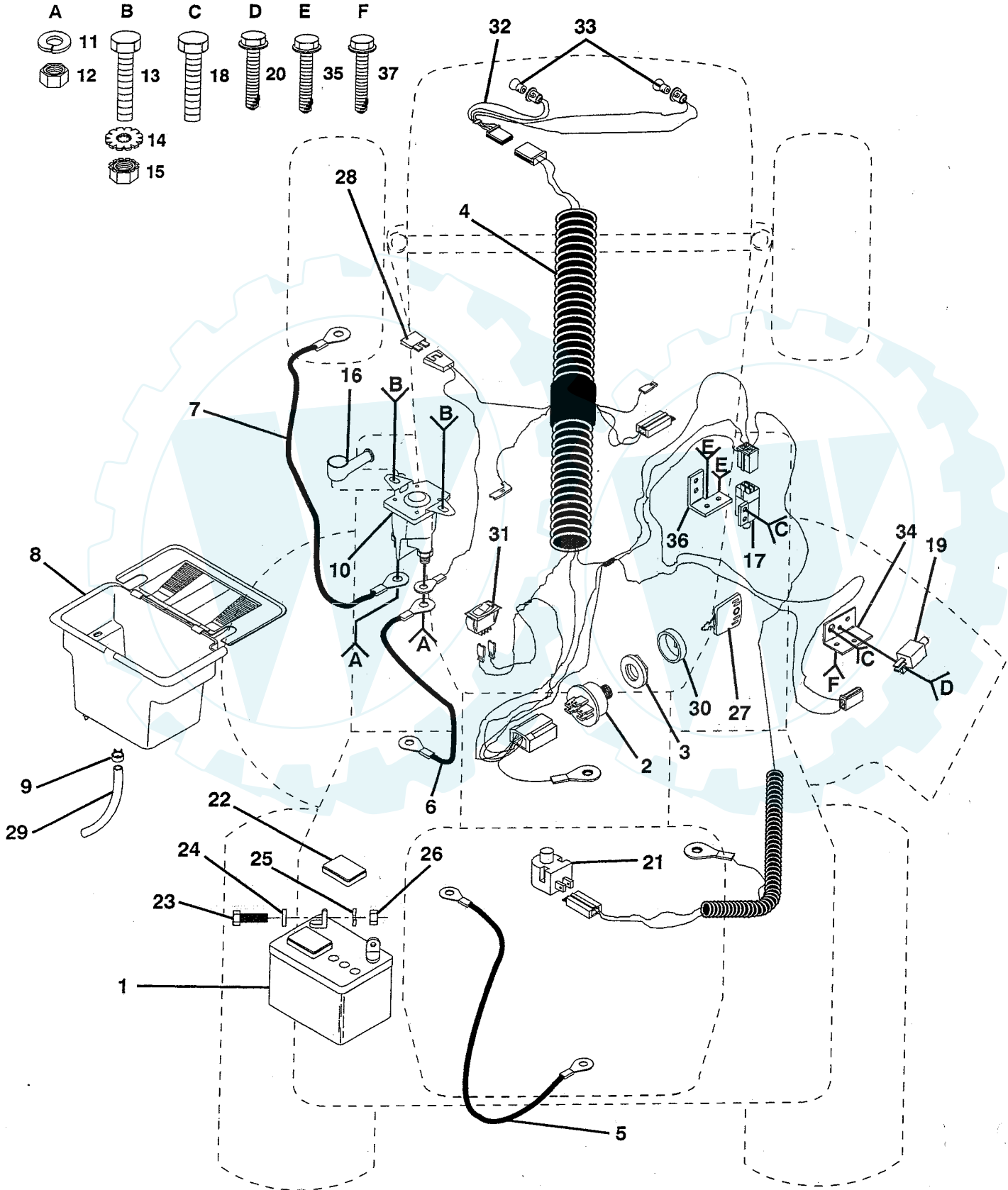


REPAIR PARTS

12.5 HP 38" TRACTOR - - MODEL NUMBER MD12538A

ELECTRICAL



12.5 HP 38" TRACTOR - - MODEL NUMBER MD12538A

ELECTRICAL

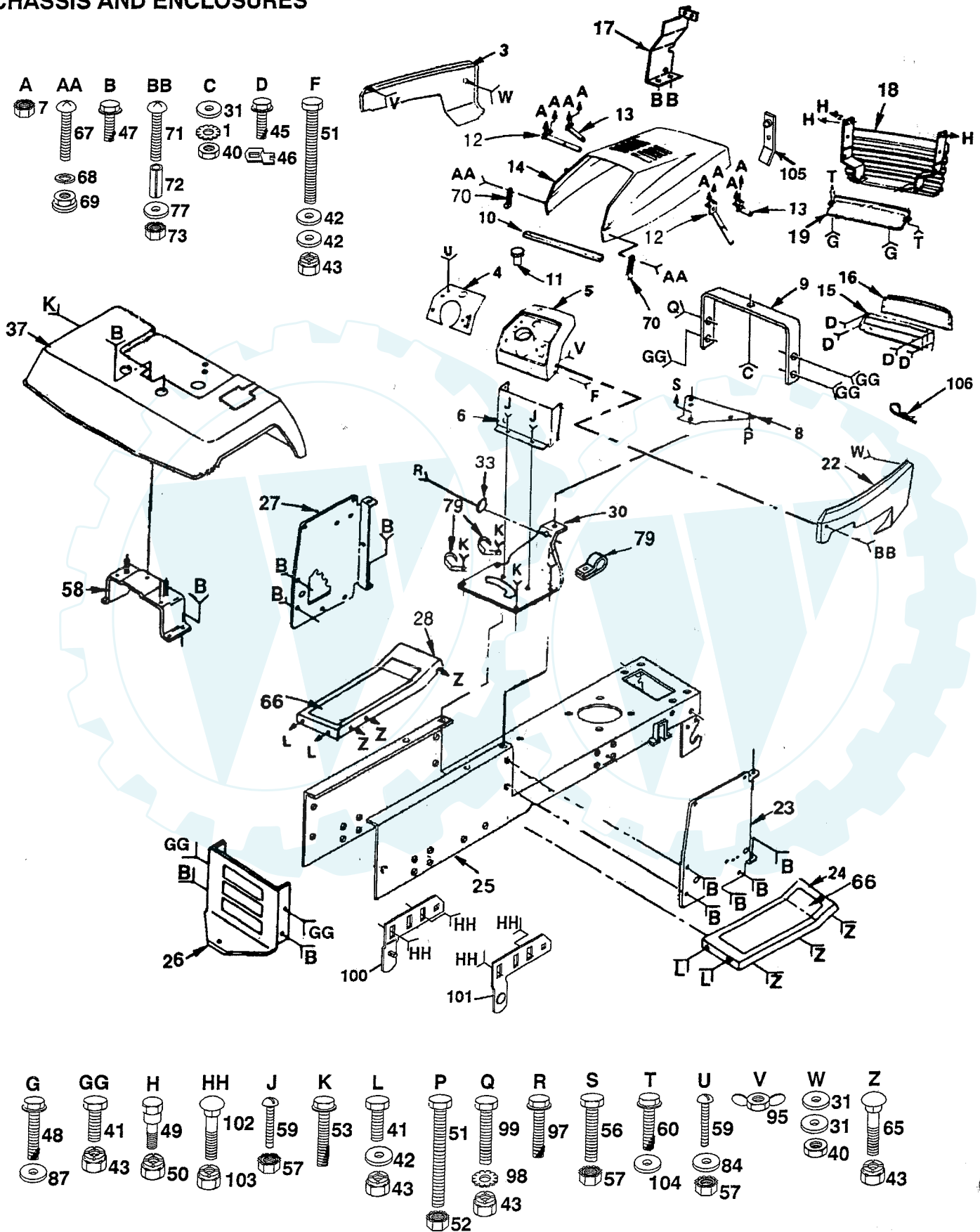
KEY PART NO.	NO.	DESCRIPTION
1	121265X	Battery
2	4406R	Switch, Ignition
3	124211X	Nut, Ignition
4	136660	Harness Ignition
5	4207J	Cable, Ground
6	132202	Cable, Ground
7	4799J	Cable, Battery
8	129965	Battery Box
9	109596X	Clamp Hose Olive
10	109081X	Solenoid
11	10090400	Washer, Lock 1/4
12	73350400	Nut, Jam Hex 1/4-20 Unc
13	74780408	Bolt, Fin Hex
14	11050400	Washer, Lock, Ext. Tooth 1/4
15	73510400	Nut, Keps 1/4-20 Unc
16	131563	Cover Terminal
17	109553X	Switch, Clutch, Attachment, Interlock
18	17021008	Screw, Hex, Tapping #10-24 unc X 1/2
19	104445X	Switch, Interlock, Clutch, Pedal
20	17021008	Screw, Hex, Tapping #10-24 unc X 1/2
21	121305X	Switch, Plunger
22	121264X	Caps, Battery
23	74760412	Bolt, Hex 1/4-20 unc X 3/4
24	19091016	Washer 9/32 X 5/8 X 16 Ja
25	10040400	Washer, Lock 1/4
26	73220400	Nut, Hex 1/4-20 Unc
27	122147X	Key
28	108824X	Fuse
29	105687X	Tube, Tray, Battery
30	123620X	Bezel, Ignition
31	110712X	Switch, Light
32	127441X	Harness, Socket, Light
33	7662J	Bulb, Light
34	108236X	Bracket, Switch
35	17021008	Screw, Hex, Tapping #10-24 unc X 1/2
36	130890	Bracket, Switch, Interlock
37	17021008	Screw, Hex, Tapping #10-24 unc X 1/2

NOTE: All component dimensions given in U. S. inches. 1 inch = 25.4 mm

REPAIR PARTS

12.5 HP 38" TRACTOR -- MODEL NUMBER MD12538A

CHASSIS AND ENCLOSURES



12.5 HP 38" TRACTOR - - MODEL NUMBER MD12538A

CHASSIS AND ENCLOSURES

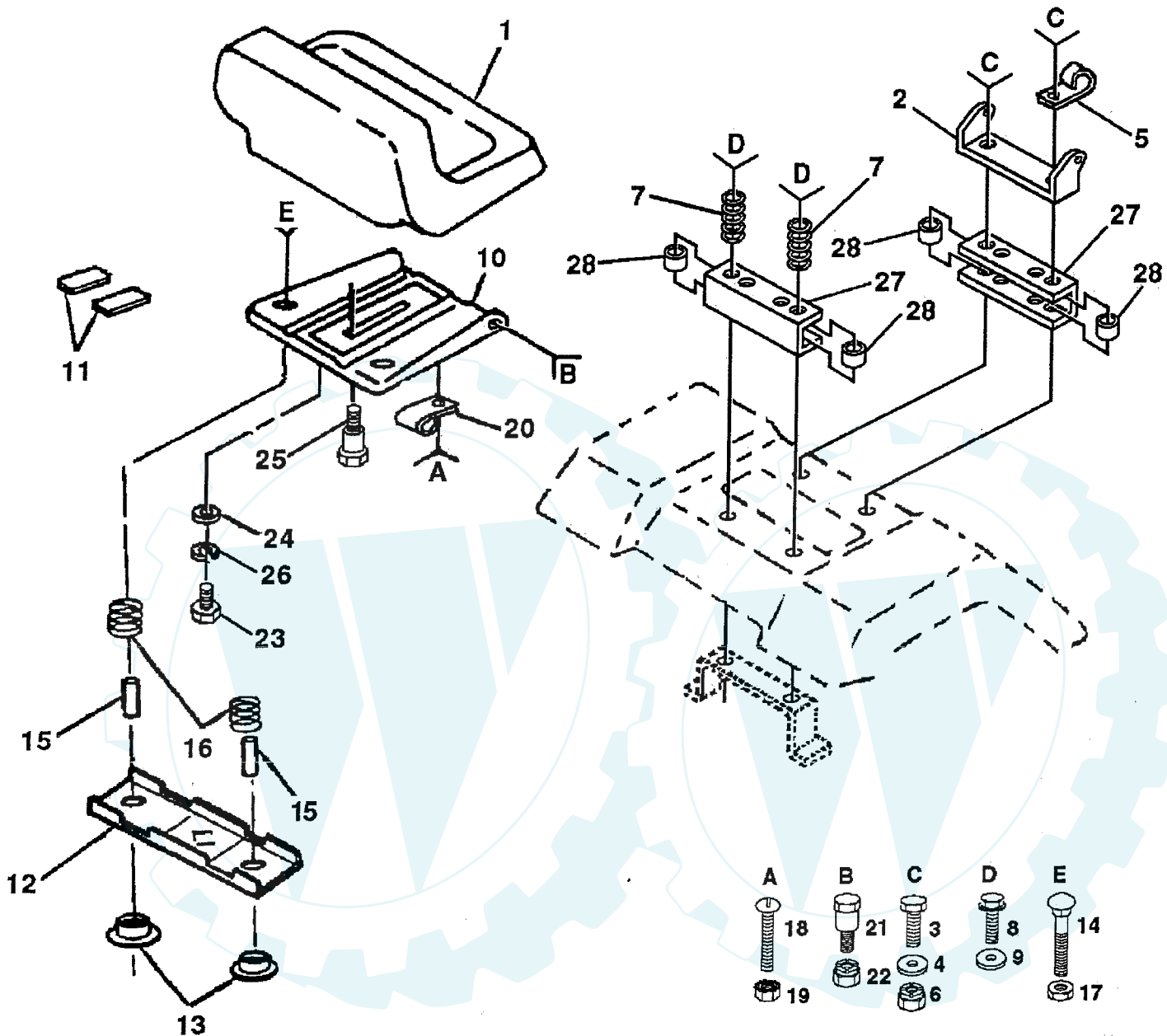
KEY NO.	PART NO.	DESCRIPTION	KEY NO.	PART NO.	DESCRIPTION
1	11040400	Washer, Lock Ext. Tooth 1/4	60	17490412	Screw, Hex Washer, Head 1/4-20 x 3/4
3	132637X496	Panel, Side, L.H.	65	72110606	Bolt, Carriage 3/8-16 x 3/4
4	134829X012	Plate, Dash	66	133671	Pad, Footrest
5	124252X	Dashboard	67	74191008	Screw, Cross Recess Pan Head Machine #10-24 x 1/2
6	132177	Assembly, Dash, Lower	68	10071000	Washer, Lock #10
7	73510400	Nut, Hex Keps 3/8-16 UNC	69	2029J	Nut, Weld
8	106965X	Plate, Support, Battery	70	109808X	Latch, Hood
9	124130X	Assembly, Support, Dash	71	74981020	Screw, Machine Cross Recess #10-24 x 1-1/4
10	104915X	Foam, Strip	72	7206J	Spacer, Split 10 x 3/4
11	5479J	Plug Button	73	73731000	Nut, Keps 10-24
12	106784X	Assembly, Strap, Hinge, Rear	77	19070818	Washer 7/32 x 1/2 x 18 Ga.
13	104618X	Assembly, Strap, Hinge, Front	79	2751R	Clip, Line, Fuel
14	132635X496	Hood	84	19111116	Washer 11/32 x 11/16 x 16 Ga.
15	124392X417	Assembly, Bezel	87	19131210	Washer 13/32 x 3/4 x 10 Ga.
16	106395X	Lens	95	123198X	Nut, Wing 14-20
17	121279X	Bracket, Ass'y., Frame, Pivot, L.H.	97	17431008	Screw, Siftp #10-16 x 1/2
18	131716	Assembly, Grill	98	11050600	Washer, Lock, Ext. Tooth 3/8
19	105419X496	Strap, Grill	99	74760612	Bolt, Hex 3/8-16 x 3/4
22	132636X496	Panel, Side, R.H.	100	134618	Bracket, Asm., Pivot, L.H.
23	132069	Panel, Dash, R.H.	101	134617	Bracket, Asm., Pivot, R.H.
24	105464X496	Footrest, R.H.	102	72140606	Bolt Carriage 3/8-16 x 3/4
25	135034	Chassis	103	73800600	Nut, Lock, Hex w/wsh 3/8-16 unc
26	127866	Drawbar	104	19091016	Washer, 9/32 x 3/8 x 16 Ga.
27	132178	Panel, Dash, L.H.	105	132644	Tab, Grill
28	105465X496	Footrest, R.H.	106	4921H	Retainer, Spring
30	126595X012	Saddle			
31	19091216	Washer 9/32 x 3/4 x 16 Ga.			
33	1554J	Bushing, Steering			
37	126599X496	Fender			
40	73220400	Nut, Hex 1/4-20			
41	74760612	Bolt, Hex 3/8-16 x 3/4			
42	19131312	Washer 13/32 x 13/16 x 3/4			
43	73680600	Nut, Crownlock 3/8-16			
45	17211010	Screw, Hex Wsh. Hd. Tap. #10-16 x 5/8			
46	104755X	"J" Fastener			
47	17490612	Screw, Hex Washer Head, Thread Rolling 3/8-16 x 2/4 Type TT			
48	17490512	Screw, Hex Washer Head, Thread Rolling 5/16-18 x 3/4 Type TT			
49	123481X	Bolt, Shoulder 1/4-20			
50	73680400	Nut, Crownlock 1/4-20			
51	74760620	Bolt, Hex 3/8-16 x 1-1/4			
52	73510600	Nut, Keps 3/8-16			
53	17490608	Screw, Hex Washer Head, Thread Forming 3/8-16 x 1/2 Type TT			
56	74780512	Bolt, Hex 5/16-18 x 3/4 Grade 5			
57	73510500	Nut, Keps 5/16-18			
58	109873X	Assembly, Bracket, Fender			
59	74180512	Screw, Truss Head 5/16-18 x 3/4			

NOTE: All component dimensions given in U. S. inches.
1 inch = 25.4 mm

REPAIR PARTS

12.5 HP 38" TRACTOR - - MODEL NUMBER MD12538A

SEAT ASSEMBLY



KEY NO.	PART NO.	DESCRIPTION	KEY NO.	PART NO.	DESCRIPTION
1	127424X	Seat	16	121250X	Spring
2	126656X	Bracket Pnt Pivot Seat	17	123976X	Nut Lock 1/4 Lge Flg Gr 5
3	74760640	Bolt-hex Fin 3/8-16unc x 2-1/2	18	74641008	Screw Sltd Pan Hd #10-32 x 1/2
4	19131210	Washer 13/32 X 3/4 X 10 Ga	19	73951000	Nut Keps #10-32 Unf
5	2751R	Clip Line Fuel 13/32 Mtg Hole	20	4171R	Clip Insulated
6	73680600	Nut Crownlock 3/8-16 Unc	21	105529X	Bolt Shoulder 5/16-18 Unc
7	124181X	Spring Seat	22	73680500	Nut Crown Lock 5/16-18
8	17490640	Scr-hex Wsh Thdrol 3/8-16x2-1/	23	74780814	Bolt, Hex 1/2-13 x 7/8
9	19131614	Washer 13/32 x 1 X 14 Ga	24	19171912	Washer 17/32 x 1-3/16 x 12 Ga
10	131451	Pan Pnt Seat	25	127018X	Bolt Shoulder 5/16-18 X .62
11	121251X	Strip Foam	26	10040800	Washer, Lock Hvy Hlcl 1/2
12	121246X	Bracket Pnt Mounting Switch	27	131772	Spacer Pnt Seat
13	121248X	Bushing Snap Blk Nyl	28	131771	Spacer Split
14	72050411	Bolt Rdhd Sht Nk 1/4-20x1-3/8			
15	134300	Spacer Split			

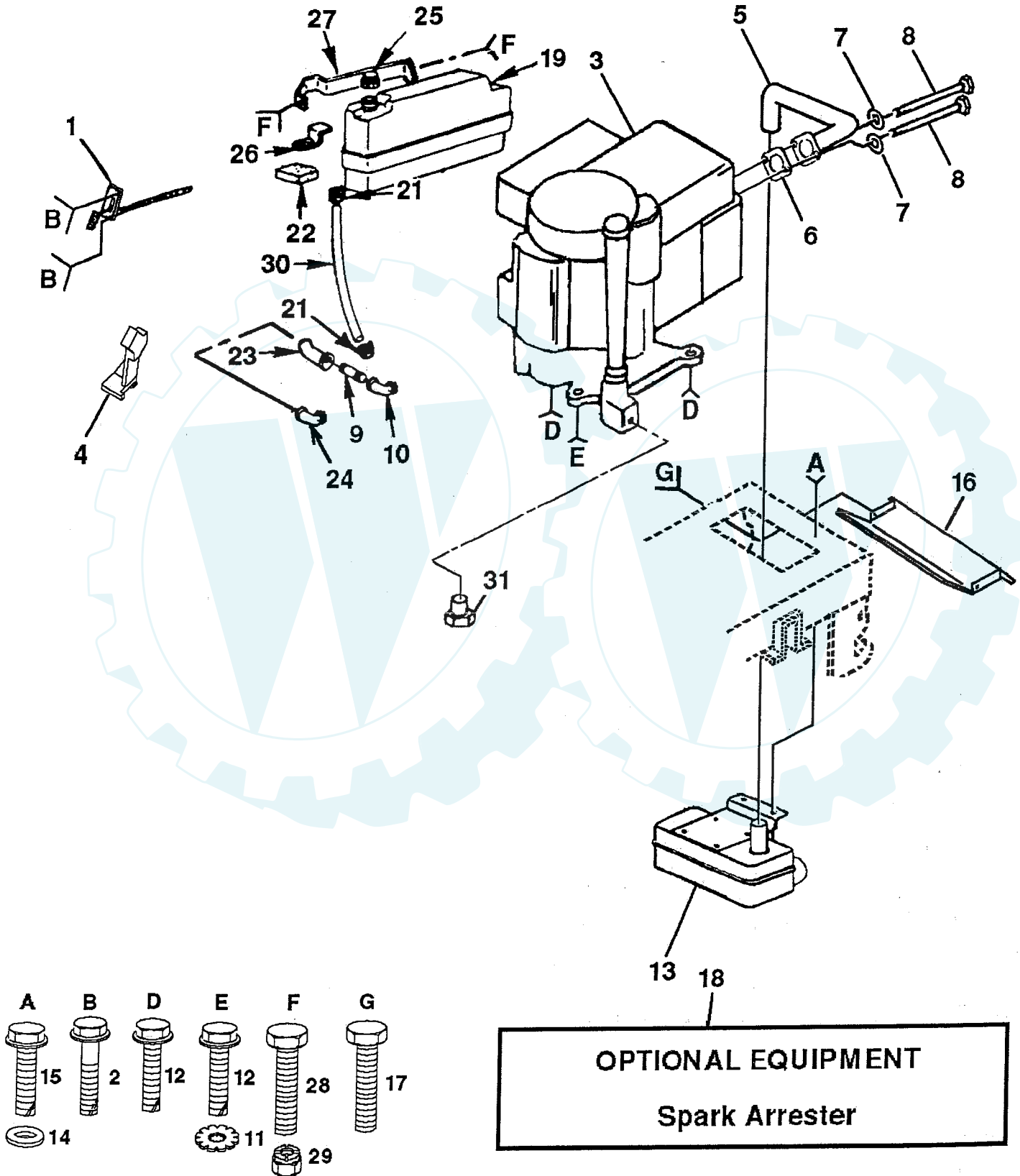
NOTE: All component dimensions given in U.S. inches
1 inch = 25.4 mm

REPAIR PARTS

www.ersatzteil-service.de

12.5 HP 42" TRACTOR - - MODEL NUMBER MD12538A

ENGINE



REPAIR PARTS

www.ersatzteil-service.de

12.5 HP 42" TRACTOR - - MODEL NUMBER MD12538A

ENGINE

KEY NO.	PART NO.	DESCRIPTION
1	132753	Control Throttle
2	17720410	Screw Hex Thd Cut 1/4-20x5/8 T
3	-----	Engine B&s 12 5 lcc Dual 1 Vt , Model No. 286707
4	133097	Stop Throt 2700 Rpm
5	123073X	Pipe Exhaust
6	125593X	Gasket 1 313 Id Tin Plated
7	10040500	Washer Lock Hvy Hlcl Spr 5/16
8	71070510	Screw Hexhd Cap 5/16-18x5/8
9	13280328	Nipple Pipe 3/8 Npt X 3-1/2
10	13310300	Elbow Street 45 Degrees
11	11050600	Washer Lock Ext Tooth
12	17490620	Screw Thdrol 3/8-16x1-1/4 Tytt
13	123075X	Muffler Exhaust Eec
14	19112016	Washer 11/32 X 1-1/4 x 16 Ga
15	17490512	Screw Thdrl 5/16 - 18 X 3/4
16	128953X	Shield Pnt Heat Browning Grass
17	17021008	Screw Tap Hex #10-24unc X 1/2
18	121851X	Arrestor Spark
19	121280X	Tank Fuel 1 50 Frt
21	123487X	Clamp Hose Blk
22	6431J	Spacer Pad 1 X 1 X 50
23	13240300	Elbow Street 3/8 Npt
24	13200300	Elbow Std 90 Degree 3/8-18 Npt
25	8504J	Cap Fuel Blk W/gas Only
26	104799X	Brace Pnt Tank
27	121281X	Support Pnt Tank Fuel
28	74780512	Bolt Fin Hex 5/16-18unc X 3/4
29	73680500	Nut Crown Lock 5/16-18
30	101335K	Line Fuel 9 5
31	-----	Plug Oil Drain(Order From Engine Manufacturer)

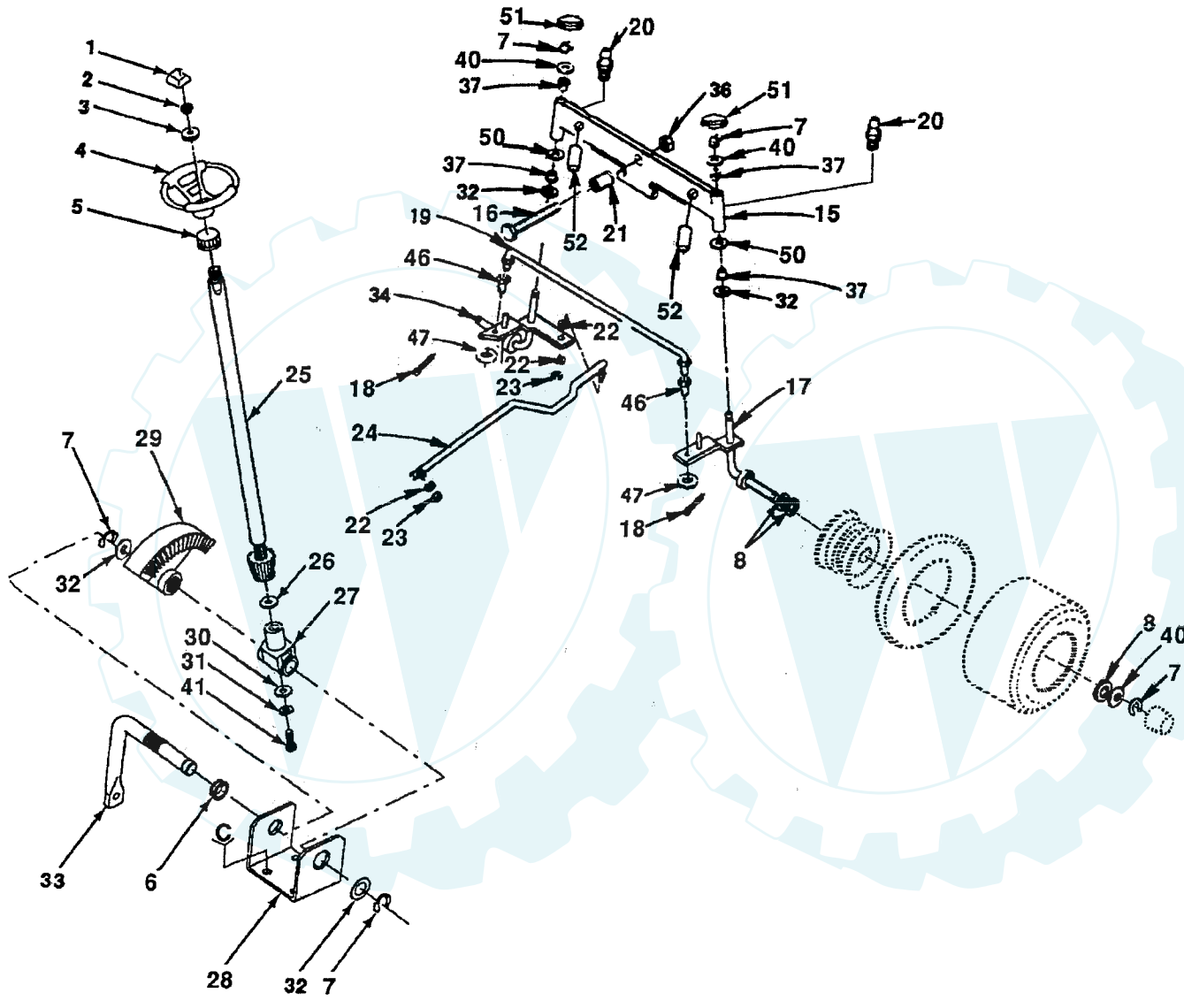
NOTE: All component dimensions given in U.S. inches.
1 inch = 25.4 mm

REPAIR PARTS

www.ersatzteil-service.de

12.5 HP 38" TRACTOR - - MODEL NUMBER MD12538A

STEERING, FRONT AXLE AND WHEELS



12.5 HP 38" TRACTOR - - MODEL NUMBER MD12538A

STEERING, FRONT AXLE AND WHEELS

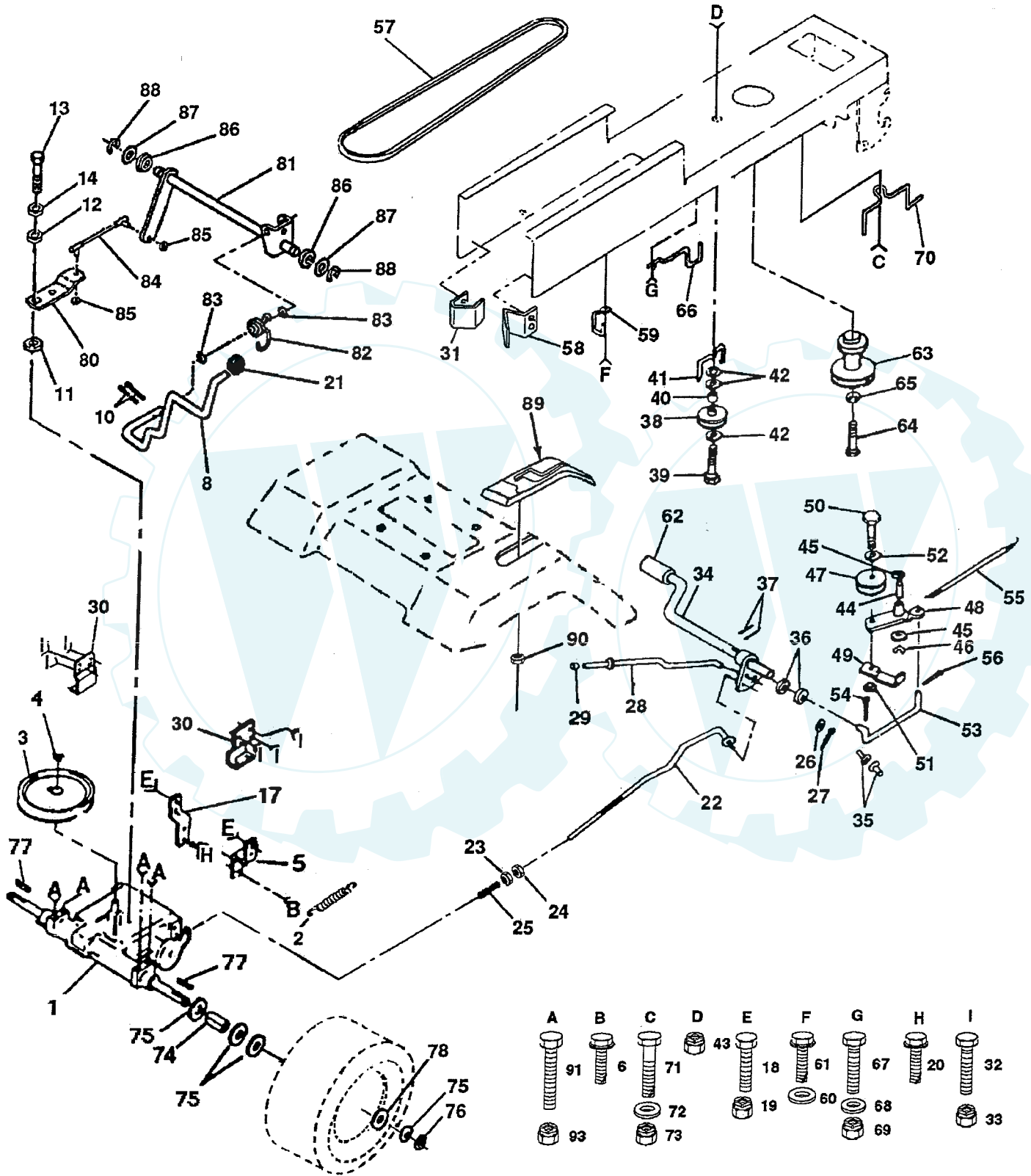
KEY NO.	PART NO.	DESCRIPTION
1	133742	Insert, Steering Wheel
2	73940800	Nut, Hex Jam Toplock Jam 1/2-20
3	100712K	Washer 17/32 x 2-1/4 x .160
4	133741	Wheel, Steering
5	100711L	Adapter, Wheel, Steering
6	109816X	Nyliner, Snap-in
7	12000029	Ring, Klip
8	121749X	Washer 25/32 x 1-1/4 x 16 Ga.
15	133988	Axle, Assembly, Front
16	74011056	Bolt, Hex 5/8-11 x 3-1/2
17	135228	Spindle, Assembly, R.H.
18	76020412	Pin, Cotter 1/8 x 3/4
19	130465	Rod, Tie
20	6855M	Fitting, Grease
21	110438X	Spacer, Bearing, Front Axle
22	10040600	Washer, Lock 3/8
23	73610600	Nut, Hex 3/8-24
24	130468	Link, Drag
25	128758	Shaft, Steering
26	57079	Washer
27	124035X	Support, Shaft
28	124036X	Bracket, Assembly, Steering
29	124034X	Gear, Sector
30	126684X	Washer, Shim 1/4 x 5/8 x .062
31	10040400	Washer, Lock Heavy Helical 1/4
32	6266H	Bearing, Thrust
33	127501	Shaft, Pitman
34	135227	Spindle, Assembly, L.H.
36	73601000	Locknut, Flange 5/8-11
37	3366R	Bearing
40	121748X	Washer 25/32 x 1-5/8 x 16 Ga.
41	71070410	Screw, Socket, Hex 1/4-20 x 5/8
46	126847X	Bushing
47	19131416	Washer 13/32 x 7/8 x 16 Ga.
49	17490612	Screw, Hex Washer Thread Rolling 3/8-16 x 3/4
50	19272016	Washer 27/32 x 1-1/4 x 16 Ga.
51	121232X	Cap, Spindle
52	132624	Pin, Axle 5/8 x 1.55/1.54 LG.

Note: All component dimensions given in U.S. inches.
1 inch = 25.4mm

REPAIR PARTS

12.5 HP 38" TRACTOR -- MODEL NUMBER MD12538A

DRIVE



REPAIR PARTS

www.ersatzteil-service.de

12.5 HP 38" TRACTOR - - MODEL NUMBER MD12538A

DRIVE

KEY NO.	PART NO.	DESCRIPTION	KEY NO.	PART NO.	DESCRIPTION
1	120898X	Transaxle 6 Sp Dana	51	73680600	Nut, Crownlock 3/8-16 UNC
2	110422X	Spring Return Brake	52	19131316	Washer 13/32 x 13/16 x 16 Ga.
3	123666X	Pulley Transaxle 20	53	105710X	Link Clutch
4	12000028	Ring Retainer # 5100-62	54	76020412	Pin, Cotter 1/8 x 3/4
5	121520X	Strap Torque 30 Degrees Blk	55	105709X	Spring Return Clutch
6	17490512	Screw Thdrol 5/16-18 x 3/4 Tyt	56	76020412	Pin, Cotter 1/8 x 3/4
8	127270	Rod Shifter Fender	57	125907X	V-belt Gnd Dr
10	76020416	Pin, Cotter 1/8 x 1 Cad	58	127274X	Keeper Belt Rh
11	105701X	Washer Plate Shf 388 Sq Hole	59	104777X	Retainer Belt Chassis Lh Zinc
12	19091216	Washer 9/32 x 3/4 x 16ga	60	19131312	Washer 13/32 x 13/16 x 12 Ga
13	71040412	Bolt Fin Hex 1/4-28unfx3/4 Gr8	61	17490612	Screw Thdrol 3/8-16x3/4 Ty-tt
14	10040400	Washer Lock Hvy Helical 1/4	62	8883R	Cover Pedal Blk Round
17	121520X	Strap Torque 30 Degrees	63	134825	Pulley Engine
18	74760612	Bolt, Fin Hex 3/8-16UNC x 3/4 Gr8	64	71170764	Bolt, Fin Hex 7/16-20 UNF x 4 Gr.5
19	73680600	Nut, Crownlock 3/8-16UNC	65	10040700	Washer, Lock Hvy Hlcl Spr 7/16
20	17490512	Screw Thdrol 5/16-18 x 3/4 Tyt	66	129921	Keeper Belt Engine Lh
21	106933X	Knob Rd	67	74760616	Bolt, Fin Hex 3/8-16 UNC x 1
22	131867	Rod Brake Blk Zinc 26 840	68	19131312	Washer 13/32 x 13/16 x 12 Ga
23	73800600	Locknut, Hex W/Wsh 3/8-16 UNC	69	73680600	Nut, Crownlock 3/8-16 UNC
24	73350600	Nut, Hex Jam 3/8-16 UNC	70	134683	Guide Belt Dr Mower Rh
25	106888X	Spring Rod Brake 2 00 Zinc	71	74760616	Bolt, Fin Hex 3/8-16 UNC x 1
26	19131316	Washer 13/32 x 13/16 x 16 Ga.	72	19132012	Washer 13/32 x 1-1/4 x 12 Ga
27	76020412	Pin, Cotter 1/8 x 3/4	73	73680600	Nut, Crownlock 3/8-16 UNC
28	128904	Rod Brake Parking	74	109502X	Spacer Split
29	71673	Cap Parking Brake Black	75	121749X	Washer 25/32 x 1 1/4 x 16 Ga
30	109167X	Bracket Mtg Transaxle	76	12000001	E Ring
31	127275X	Keeper Belt Lh 14 Ga	77	123583X	Key Square
32	74760612	Bolt, Hex Hd 3/8-16 x 3/4	78	121748X	Washer 25/32 x 1 5/8 x 16ga
33	73680600	Nut, Crownlock 3/8-16 UNC	80	123794X	Arm Shift
34	122424X	Shaft Asm Pedal Foot 1 930	81	127273X	Shaft Asm Shifter
35	120183X	Bearing Nylon Blk	82	123782X	Spring Torsion
36	19211616	Washer 21/32 X 1 X 16 Ga.	83	19171216	Washer 17/32 x 3/4 x 16ga
37	1572H	Roll Pin 3/16 x 1	84	123793X	Shift Link Adjust. Rod
38	123674X	Pulley Idler Flat	85	73530400	Nut Nylock 1/4-28
39	74760644	Bolt, Fin Hex 3/8-16UNC x 2-3/4	86	127272X	Bushing Pivot W/ 180 Step Pm
40	4470J	Spacer Split	87	126591X	Washer Shim 53 x 1 25 x 0598
41	109070X	Keeper Belt Retainer	88	12000003	E Ring
42	19131312	Washer 13/32 x 13/16 x 12 Ga	89	131636	Console Shift 6sp W/ign Lt
43	73680600	Nut, Crownlock 3/8-16 UNC	90	124346X	Nut, Washer Head Tapping
44	105706X	Bearing Nyl 503 x 628 x 1 25	91	74760644	Bolt Fin Hex 3/8-16 unc x 2-3/4
45	110812X	Washer Hardened	93	73680500	Nut, Crownlock 3/8-16
46	12000039	Ring Klip			
47	127783	Pulley Idler V Groove Plastic			
48	123789X	Bellcrank Asm			
49	123205X	Retainer Belt Style Spring			
50	74760624	Bolt, Hex Hd 3/8-16 UNC x 1-1/2			

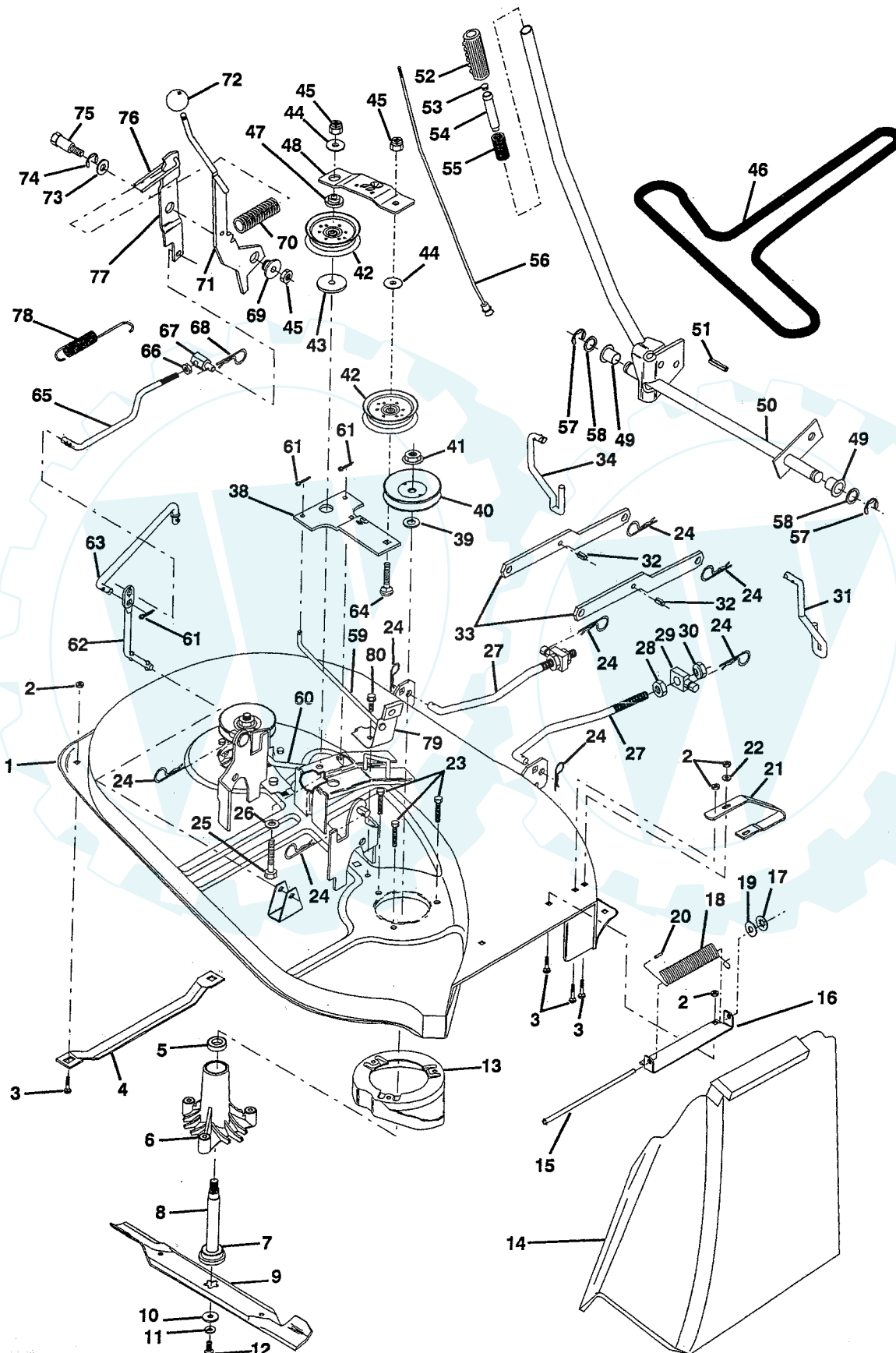
NOTE: All component dimensions given in U.S. inches
1 inch = 25.4 mm

REPAIR PARTS

www.ersatzteil-service.de

12.5 HP 38" TRACTOR - - MODEL NUMBER MD12538A

MOWER



12.5 HP 38" TRACTOR - - MODEL NUMBER MD12538A

MOWER

KEY NO.	PART NO.	DESCRIPTION	KEY NO.	PART NO.	DESCRIPTION
1	129365	Mower Asm.	49	120183X	Bearing, Nylon Blk
2	73680500	Nut, Crownlock 5/16-18	50	132172	Lift, Asm., Shaft
3	72140506	Bolt, Carriage 5/16-18 x 3/4	51	105767X	Pin, Groove
4	7631J	Runner, LH	52	109413X	Grip, Handle
5	110485X	Bearing, Ball, Mandrel	53	124526X	Button, Plunger
6	128774	Mandrel Asm.	54	122364X	Plunger, Lever, Lift
7	129895	Bearing, Ball	55	122512X	Spring Compression
8	133172	Shaft, Mandrel, Mower, Vented (Includes Key #7)	56	132175	Rod Asm., Lever
9	127842	Blade, Mower, High Performance	57	12000002	Ring, E
10	129962	Washer, Hard, Mower, Vented	58	19211416	Washer 21/32 x 7/8 x 16 Ga.
11	10030600	Washer, Lock Hvy 3/8	59	131288	Rod, Brake RH
12	850857	Bolt, Blade 3/8-24 x 1-1/4 Gr. 8	60	131289	Rod, Brake LH
13	128961	Stripper, Mower, Vented	61	76020312	Pin, Cotter 3/32 x 3/4
14	106736X	Shield, Deflector	62	133551	Rod, Pivot
15	106735X	Rod, Hinge	63	133504	Rod, Clutch, Secondary
16	105896X	Bracket, Deflector, Mower	64	72110614	Bolt, Carriage 3/8-16 x 1-3/4
17	110452X	Nut, Push	65	133550	Rod, Clutch Primary
18	106734X	Spring, Deflector	66	73350600	Nut, Hex Jam 3/8-16
19	19111016	Washer 11/32 x 5/8 x 16 Ga.	67	133205	Trunnion 3/8-16
20	105304X	Cap, Sleeve	68	4497H	Spring, Retainer
21	128772	Runner, RH	69	127498	Bushing
22	19111216	Washer 11/32 x 3/4 x 16 Ga.	70	128759	Spring
23	78158	Bolt, Mandrel	71	131813	Arm Asm., Clutch, Primary
24	4939M	Retainer, Spring	72	132044	Knob
25	74600636	Bolt, Hex 3/8-16 x 2-1/4	73	121748X	Washer 25/32 x 1-5/8 x 16 Ga.
26	19131612	Washer	74	12000029	Ring, Klip
27	127218	Link Asm., Front	75	128903	Bolt, Shoulder
28	73350800	Nut, Jam Hex 1/2-13 UNC	76	127845	Keeper, Spring
29	130171	Trunnion	77	127847	Arm, Clutch, Secondary
30	73800800	Nut, Lock w/wsh 1/2-13 UNC	78	131870	Spring, Return
31	135388	Link, Lift, RH	79	130840	Brake Asm., Mower, Vented
32	135563	Pin, Spring 5/16-3/4	80	17490512	Screw, Hex Thdrol 5/16-18 x 3/4
33	130832	Arm, Suspension, Rear	--	131455	Deck, Complete 138360
34	134619	Link, Lift, LH	--	130794	Mandrel Asm. (Includes Key No.'s 5-8, 10-12, 39 and 41)
38	133840	Idler, Arm			
39	129963	Washer, Spacer, Mower, Vented			
40	129206	Pulley, Mandrel, Single			
41	73050900	Nut, Flangelock 9/16			
42	131494	Pulley, Idler, Flat			
43	122052X	Spacer, Retainer			
44	19131612	Washer 13/32 x 1 x 12 Ga.			
45	73680600	Nut, Crownlock 3/8-16			
46	131290	Belt			
47	133502	Spacer Retainer			
48	133503	Upper, Arm Idler			

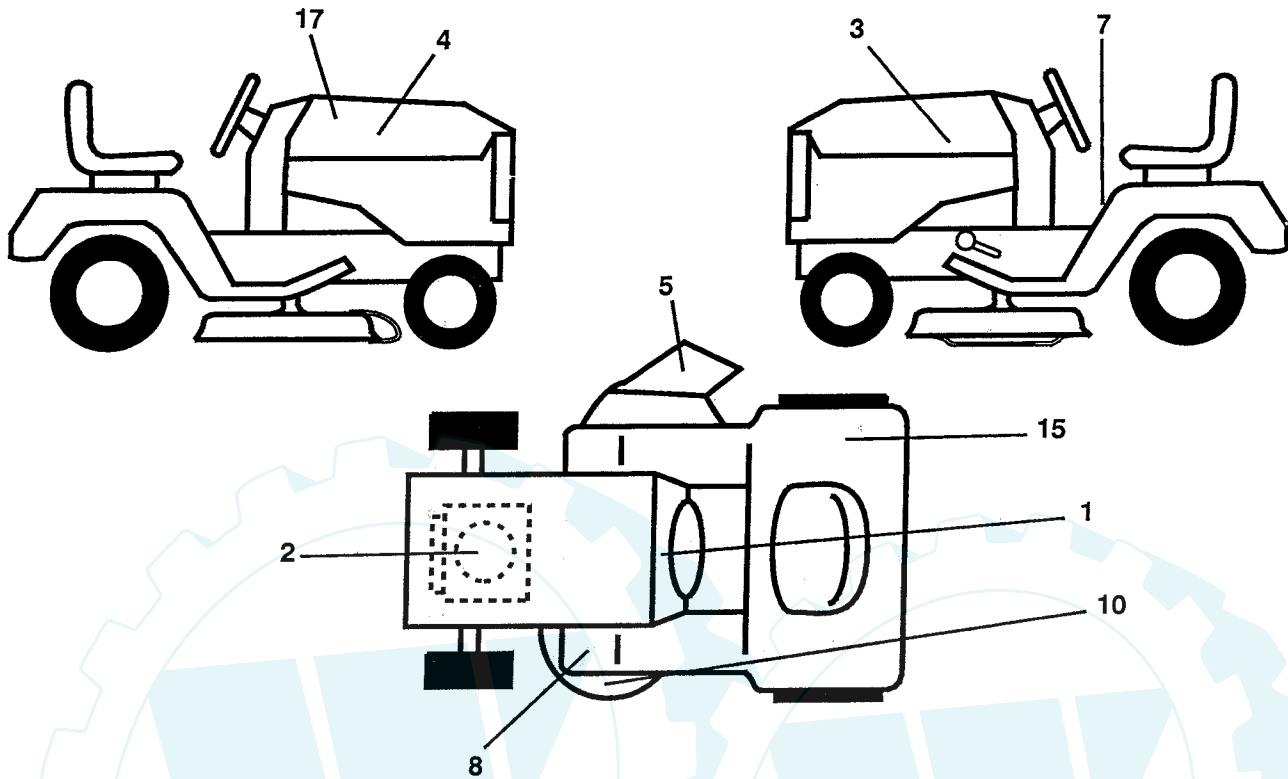
NOTE: All component dimensions given in U. S. inches.
1 inch = 25.4 mm

REPAIR PARTS

www.ersatzteil-service.de

12.5 HP 38" TRACTOR - - MODEL NUMBER MD12538A

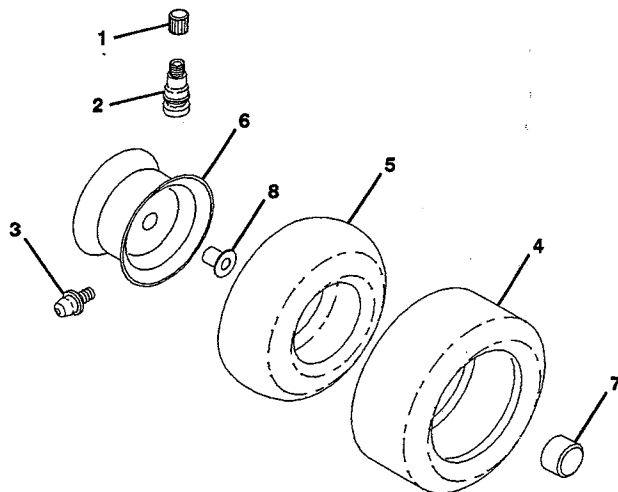
DECALS



KEY NO.	PART NO.	DESCRIPTION
1	109821X	Decal, Instruction Operating
2	129057	Decal, Engine
3	136613	Decal, Hood Stripe L.H.
4	136612	Decal, Hood Stripe R.H.
5	121349X	Decal, Danger, Deflector (English/French)
7	133795	Decal, Caution (English/French)

KEY NO.	PART NO.	DESCRIPTION
8	101892X	Decal, Clutch/Brake (English/French)
10	109820X	Decal, Rotating Blades
15	125690X	Decal, 100 DBA
17	121549X	Decal, Battery, Caution
--	132704	Manual, Operator's
--	136529	Manual, Parts

WHEELS & TIRES



KEY NO.	PART NO.	DESCRIPTION
1	59192	Cap Valve Tire
2	65139	Stem Valve
3	278H	Fitting Grease (Front Wheel Only)
4	106222X	Tire, FTs 15x60-6 Service
4	3588R	Tire R Ts 18x8 5-8 S Service
5	59904	Tube, Front (Optional Service Item Only)
5	7152J	Tube, Rear (Optional Service Item Only)
6	106732X311	Rim Assembly 6" Front
6	106108X311	Rim Assembly 8" Rear
7	104757X	Cap Axle Blk 1 50 X 1 00
8	9040H	Bearing

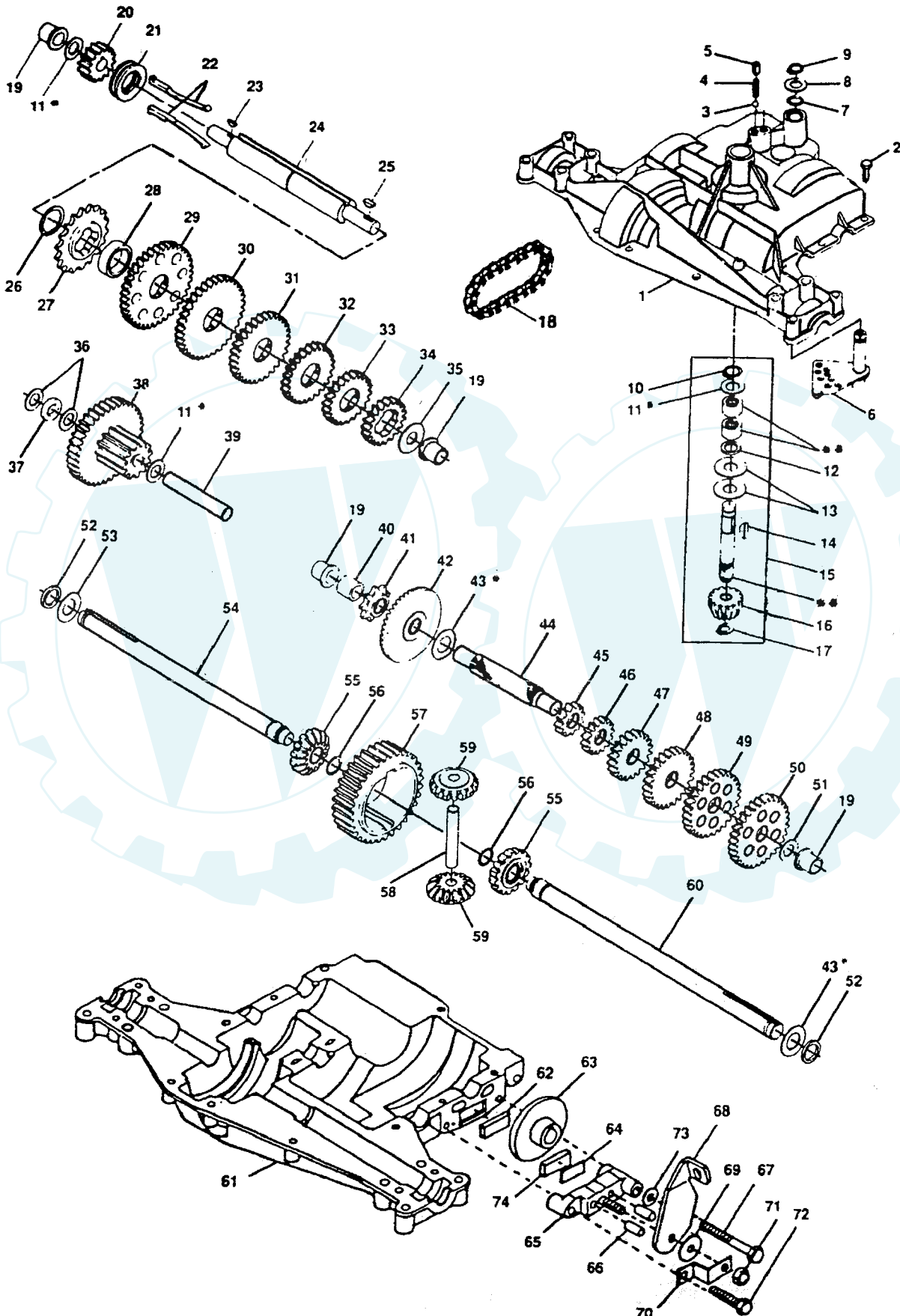
NOTE: All component dimensions given in U.S. inches.
1 inch - 25.4 mm.

REPAIR PARTS

www.ersatzteil-service.de

12.5 HP 38" TRACTOR - - MODEL NUMBER MD12538A

TRANSAXLE DANA - MODEL NUMBER 4360-7



REPAIR PARTS

www.ersatzteil-service.de

12.5 HP 38" TRACTOR - - MODEL NUMBER MD12538A

TRANSAXLE DANA - MODEL NUMBER 4360-7

KEY PART NO.	NO.	DESCRIPTION	KEY PART NO.	NO.	DESCRIPTION
1	3865	Housing, Upper	41	3645	Sprocket, 9 Teeth
2	1919	Screw, Tapping, Large 1/4-20 x .734	42	3853	Gear, Bevel, 42 Teeth
3	1151	Ball, Detent	43	3749	* Washer, Plain .758 x 1.12 x .010
4	3626	Spring, Detent		3652	* Washer, Plain .758 x 1.12 x .015
5	3623	Screw, Set		3693	* Washer, Plain .758 x 1.12 x .020
6	4336	Assembly, Shifter		3653	* Washer, Plain .758 x 1.12 x .025
7	3884	O-Ring		3408	* Washer, Plain .758 x 1.25 x .020
8	3885	* Washer, Plain .505 x .942 x .006		3732	* Washer, Plain .758 x 1.25 x .025
	3886	* Washer, Plain .505 x .942 x .010		3184	* Washer, Plain .758 x 1.25 x .031
	3887	* Washer, Plain .505 x .942 x .015		3733	* Washer, Plain .758 x 1.25 x .035
	3888	* Washer, Plain .505 x .942 x .020		3198	* Washer, Plain .758 x 1.25 x .040
	3889	* Washer, Plain .505 x .942 x .026		3734	* Washer, Plain .758 x 1.25 x .045
	3121	* Washer, Plain .505 x .942 x .030		3735	* Washer, Plain .758 x 1.25 x .050
	3890	* Washer, Plain .505 x .942 x .040		3736	* Washer, Plain .758 x 1.25 x .055
9	1100	Ring, Retaining		3180	* Washer, Plain .758 x 1.25 x .062
10	1099	Ring, Retaining	44	3882	Shaft, Drive
11	1959	* Washer, Plain .632 x 1.00 x .010	45	3646	Gear, Spur, 12 Teeth
	1441	* Washer, Plain .632 x 1.00 x .020	46	3707	Gear, Spur, 15 Teeth
	1423	* Washer, Plain .632 x 1.00 x .026	47	3866	Gear, Spur, 20 Teeth
	1082	* Washer, Plain .632 x 1.00 x .031	48	3719	Gear, Spur, 25 Teeth
	1424	* Washer, Plain .632 x 1.00 x .036	49	3868	Gear, Spur, 28 Teeth
	1068	* Washer, Plain .632 x 1.00 x .041	50	3683	Gear, Spur, 31 Teeth
	1425	* Washer, Plain .632 x 1.00 x .046	51	1145	Washer, Plain .632 x 1.00 x .060
	1358	* Washer, Plain .632 x 1.00 x .050	52	3191	Seal, Felt
	1145	* Washer, Plain .632 x 1.00 x .060	53	3180	Washer, Plain .758 x 1.25 x .062
	1319	* Washer, Plain .632 x 1.00 x .082	54	3880	Axle, Left Hand
12	3312	O-Ring	55	3780	Gear, Miter, 15 Teeth
13	3876	Washer, Plain .632 x 1.38 x .046	56	3656	Ring, Retaining
14	1374	Key, Woodruff #9	57	3839	Gear, Spur, 32 Teeth
15	4134	Assembly, Kit, Input Shaft	58	3919	Shaft, Cross
16	3590	Pinion, Bevel, 14 Teeth	59	3781	Gear, Miter, 15 Teeth
17	3624	Ring, Retaining	60	3881	Axle, Right Hand
18	3625	Chain, 24 Pitches	61	3864	Housing, Lower
19	1542	Bearing, Flange	62	3920	Puck, Friction
20	3773	Gear, Spur, 14 Teeth	63	3276	Disc, Brake
21	3631	Collar, Clutch	64	3758	Spacer
22	3828	Key, Clutch	65	3916	Jaw, Brake
23	1369	Key, Woodruff	66	3843	Pin, Dowel
24	3883	Shaft, Intermediate	67	3915	Screw, Tapping, Large 5/16-18 x 2.25
25	1375	Key, Woodruff #61	68	3768	Lever, Actuating
26	3627	Ring, Retaining	69	3760	Washer, Plain .321 x 1.00 x .055
27	3830	Sprocket, 18 Teeth	70	3917	Bracket, Anti-Rotation
28	3841	Spacer	71	3847	Locknut 5/16-24
29	3786	Gear, Spur, 37 Teeth	72	3724	Screw, Tapping, Large 5/16-18 x 1.44
30	3785	Gear, Spur, 35 Teeth	73	3906	Washer, Plain .343 x .81 x .059
31	3867	Gear, Spur, 30 Teeth	74	3907	Puck, Friction
32	3783	Gear, Spur, 25 Teeth	75	4300	Grease
33	3869	Gear, Spur, 22 Teeth			
34	3741	Gear, Spur, 19 Teeth			
35	3628	Washer, Plain .640 x 1.37 x .061			
36	1423	Washer, Plain .632 x 1.00 x .026			
37	3422	Spacer .630 x 1.00 x .169			
38	4286	Assembly, Gear, Combination of 12 Teeth and 35 Teeth			
39	3877	Shaft, Idler			
40	3901	Spacer .635 x .875 x .755			

* Use In Various Combinations To Maintain Proper Clearances.

** Order Key Number 15

NOTE: All component dimensions given in U.S. inches
1 inch = 25.4 mm