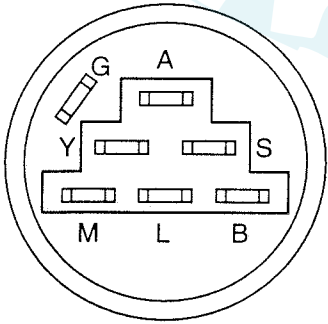
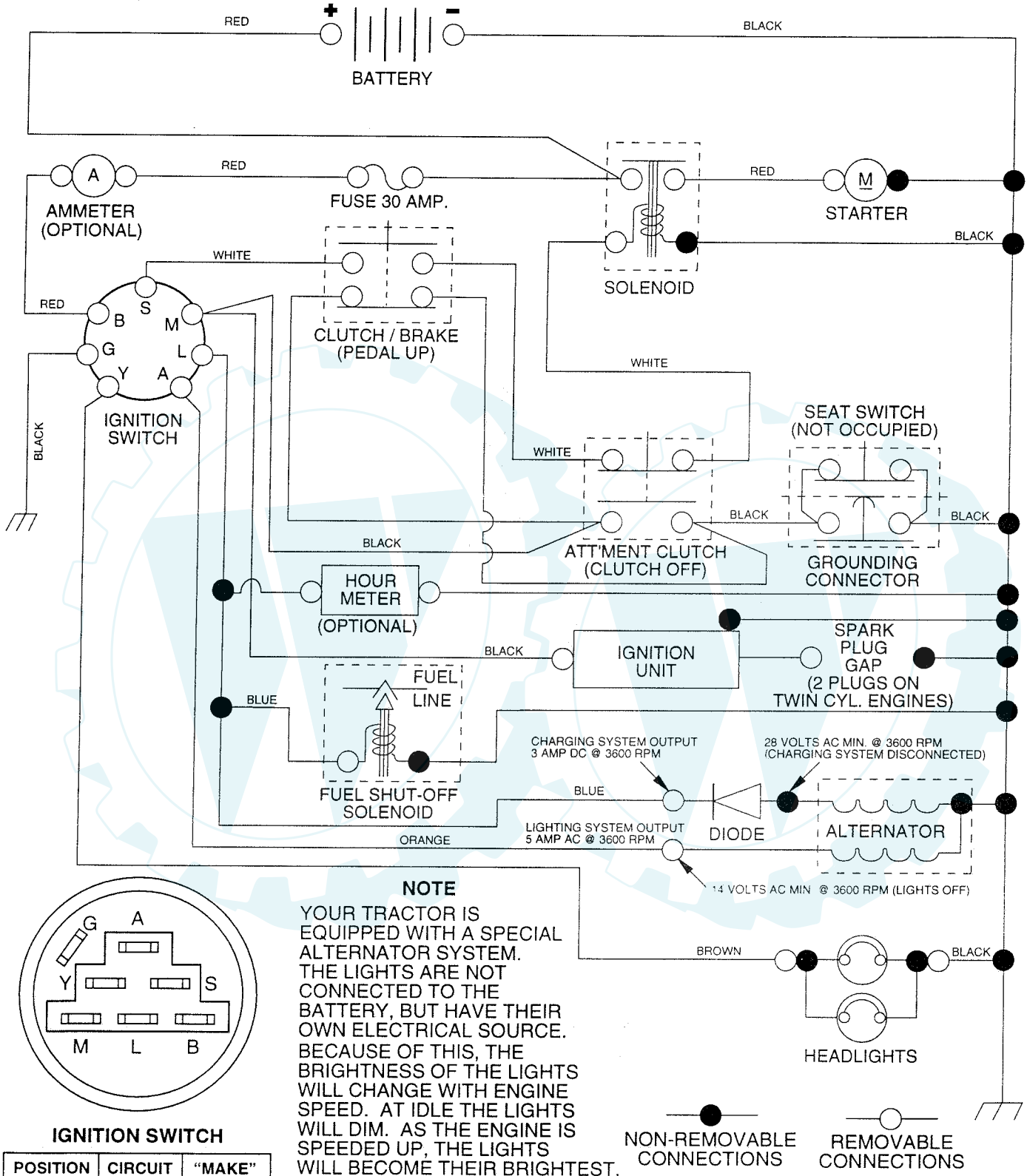


TRACTOR - MODEL NO. LTH155 (JLTH15542C), PRODUCT NO. 954 20 00-04 SCHEMATIC



IGNITION SWITCH

POSITION	CIRCUIT	"MAKE"
OFF	G + M + L	NONE
RUN/LIGHT	B + L	A + Y
RUN	B + L	NONE
START	B + L + S	NONE

NOTE
YOUR TRACTOR IS EQUIPPED WITH A SPECIAL ALTERNATOR SYSTEM. THE LIGHTS ARE NOT CONNECTED TO THE BATTERY, BUT HAVE THEIR OWN ELECTRICAL SOURCE. BECAUSE OF THIS, THE BRIGHTNESS OF THE LIGHTS WILL CHANGE WITH ENGINE SPEED. AT IDLE THE LIGHTS WILL DIM. AS THE ENGINE IS SPEEDED UP, THE LIGHTS WILL BECOME THEIR BRIGHTEST.

WIRING INSULATED CLIPS

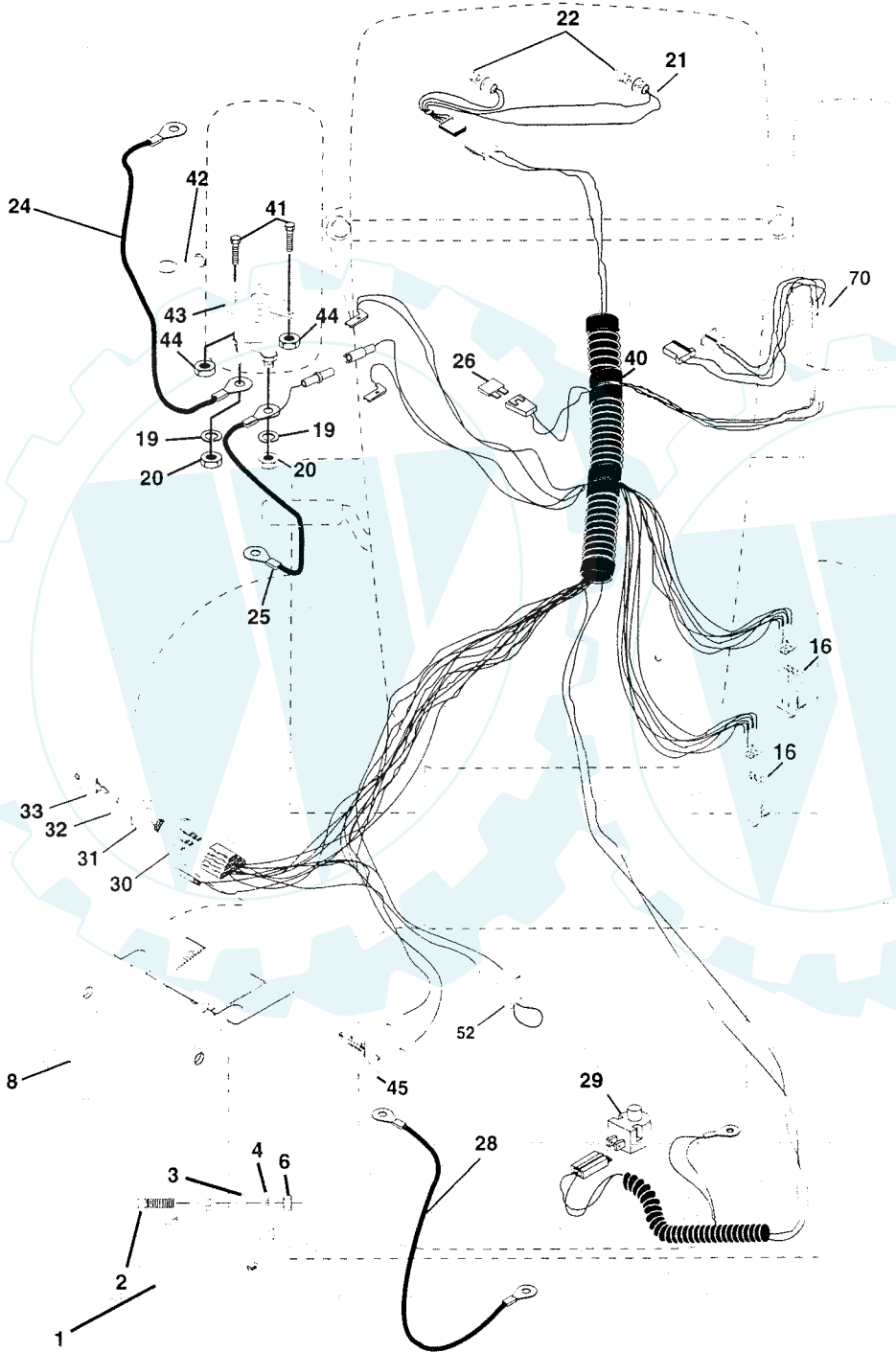
NOTE: IF WIRING INSULATED CLIPS WERE REMOVED FOR SERVICING OF UNIT, THEY SHOULD BE REPLACED TO PROPERLY SECURE YOUR WIRING.



REPAIR PARTS

www.ersatzteil-service.de

TRACTOR - MODEL NO. LTH155 (JLTH15542C), PRODUCT NO. 954 20 00-04
ELECTRICAL



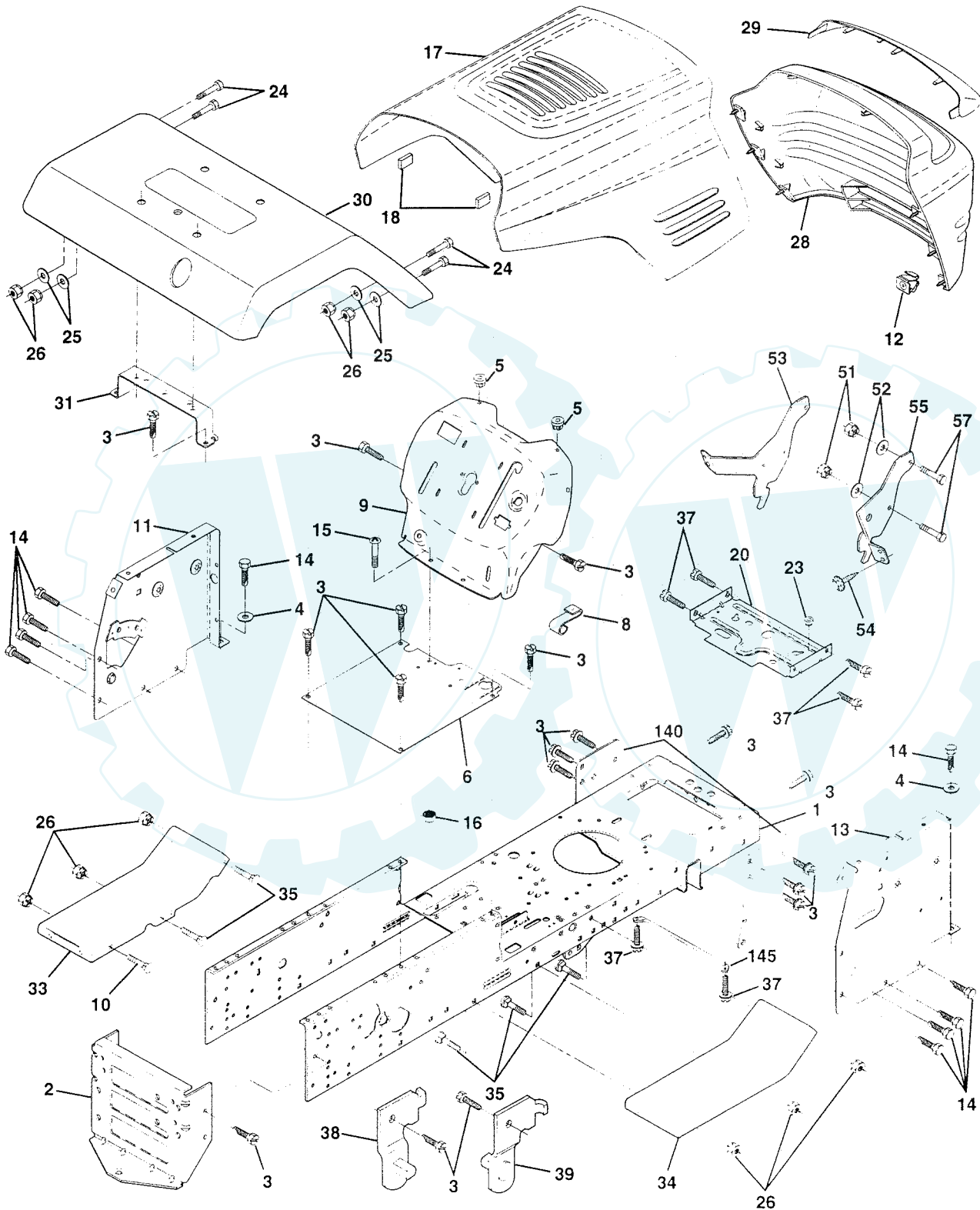
KEY NO.	PART NO.	DESCRIPTION
1	532144925	Battery 12 VOLT 25 AMP
2	874760412	Bolt Hex Hd 1/4-20unc X 3/4
3	819091016	Washer 9/32 X 5/8 X 16 Ga
4	810040400	Washer Lock Hvy Helical 1/4
6	873220400	Nut Fin Hex 1/4-20 Unc
8	532156417	Case Battery
16	532153664	Switch Interlock Push-In
19	810090400	Washer Lock 1/4
20	873350400	Nut Jam Hex 1/4-20 Unc
21	532147430	Harness Asm Light W/4152J
22	532004152	Bulb Light #1156
24	532124780	Cable Battery 6 Ga 11"red
25	532146147	Cable Battery 6 Ga W/16 Ga Wire 44"
26	532108824	Fuse 30 AMP Auto Green
28	532124773	Cable Ground 6 Ga 12"black
29	532121305	Switch Plunger Nc Gray
30	532140301	Switch Ignition 4 Pos
31	532124211	Nut Ignition
32	532141226	Cover Sw Key Blk 1 25 Text SLT
33	532122147	Key Ign Molded Generic
40	532156442	Harness Ign.
41	871110408	Bolt Hex Hd. Fin 1/4-20 x 1/2 Gr. 5
42	532131563	Cover Terminal Red
43	532145673	Solenoid
44	873640400	Nut Keps Hex 1/4-20 Unc
45	532121433	Rectangular 6amp Ammeter
52	532141940	Protection Wire Loop
70	532140422	Harness Engine

NOTE: All component dimensions given in U.S. inches
 1 inch = 25.4 mm.

REPAIR PARTS

www.ersatzteil-service.de

TRACTOR - MODEL NO. LTH155 (JLTH15542C), PRODUCT NO. 954 20 00-04
ENCLOSURES



REPAIR PARTS

www.ersatzteil-service.de

TRACTOR - MODEL NO. LTH155 (JLTH15542C), PRODUCT NO. 954 20 00-04
ENCLOSURES

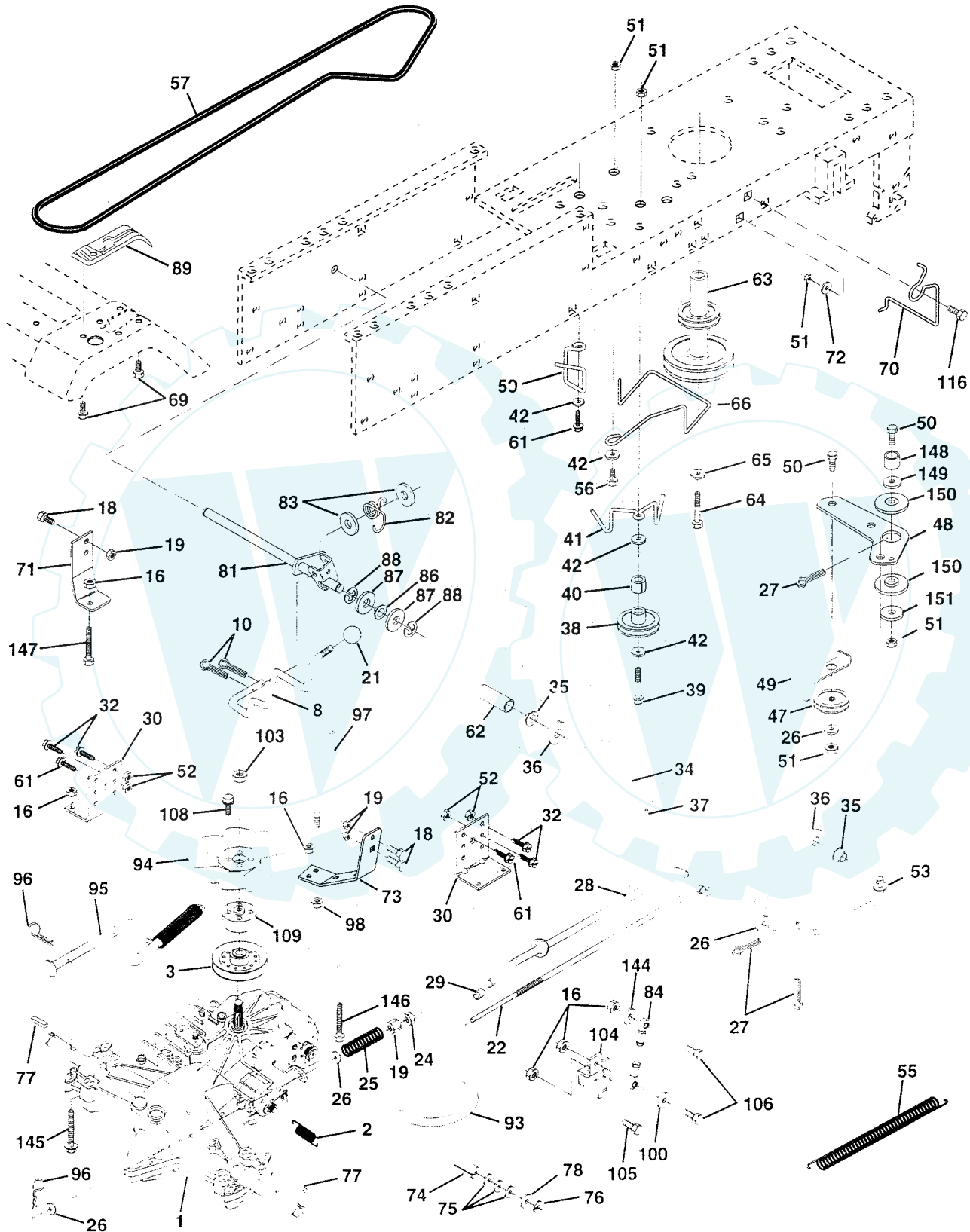
KEY NO.	PART NO.	DESCRIPTION
1	532160393	Chassis Wldmt.
2	532140356	Drawbar Stretch 94
3	817490612	Screw Thdrol. 3/8-16 x 3/4 Ty-Tt
4	819131216	Washer 13/32 x 3/4 x 16 Ga.
5	532155272	bumper Hood/Dash
6	532155923	Saddle Lt Shift Fender
8	532155138	Clip Retainer Slide-On
9	532164494	Dash
10	872140608	Bolt RdHd Sqnk. 3/8-16 x 1
11	532155927	Panel Asm. Dash Lh
12	532145660	Clip Tinnerman Grille P/L
13	532155936	Panel Dash Rh
14	817490608	Screw Thdrol. 3/8-16 x 1/2 Ty-Tt
15	874180512	Screw Mech Trhd. 5/16
16	873510500	Nut Keps Mach 1
17	532150760	Hood Pnt W/Side Louvers
18	532126938	Bumper Hood
20	532156437	Plate Mtg Battery/Fuel Tank
23	532124028	Bushing Snap Nyl. Blk Fuel Line
24	874780616	Bolt Fin Hex 3/8-16 Unc x 1 Gr. 5
25	819131312	Washer 13/32 x 13/16 x 12 Ga.
26	873800600	Nut Lock Hex w/Ins 3/8-16 Unc
28	532150671	Grill w/Clips
29	532145199	Lens Grille
30	532163558	Fender Pnt Ms-505
31	532136619	Bracket Fender
33	532149139	Footrest Pnt. Lh
34	532149140	Footrest Pnt. Rh
35	872110606	Bolt RdHd Sht. Sqnk. 3/8-16 x 3/4
37	817490508	Screw Thdrol 5/16-18 x 1 1/2
38	532139886	Bracket Asm. Pvt. Lh Mwr. Rear
39	532139887	Bracket Asm. Pvt. Rh Mwr. Rear
51	873800400	Nut Lock Hex W/Ins. 1/4-20
52	819091416	Washer 9/32 x 7/8 x 16 Ga.
53	532145201	Bracket Grille Pickoff LH
54	532161464	Screw Hex Wshd 8-18 x 7/8
55	532145202	Bracket Grille Pickoff RH
57	874780412	Bolt Fin Hex 1/4-20 x 3/4
140	532158418	Bracket, Suspension Front
145	532156524	Rod Pivot Chassis/Hood
--	532005479	Plug Button Blk .359 Dia. Choke

NOTE: All component dimensions given in U. S. inches
1 inch = 25.4 mm

REPAIR PARTS

www.ersatzteil-service.de

TRACTOR - MODEL NO. LTH155 (JLTH15542C), PRODUCT NO. 954 20 00-04
DRIVE



REPAIR PARTS

www.ersatzteil-service.de

**TRACTOR - MODEL NO. LTH155 (JLTH15542C), PRODUCT NO. 954 20 00-04
DRIVE**

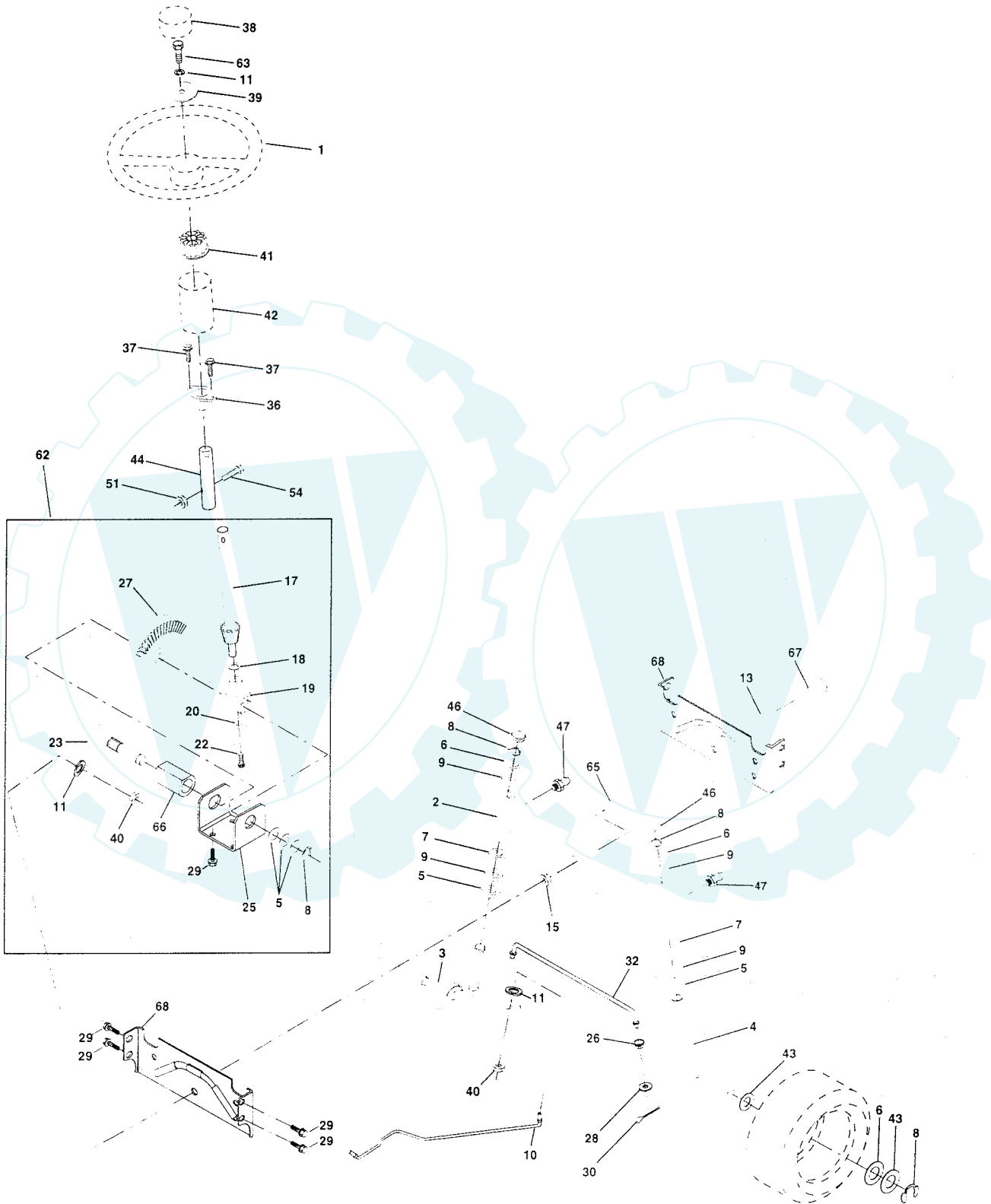
KEY NO.	PART NO.	DESCRIPTION	KEY NO.	PART NO.	DESCRIPTION
1	532140607	Transaxle Assembly	69	532142432	Screw
2	532142431	Spring, Return, Brake	70	532134683	Guide Belt Mower Drive RH
3	532144698	Pulley, Transaxle	71	532141417	Strap Torque Lh Hydro
8	532141003	Rod Shift Fender LT	72	819132012	Washer 13/32 X 1-1/4 X 12 Ga.
10	876020416	Pin Cotter 1/8 x 1 CAD	73	532141418	Strap Torque Rh Hydro
16	873800500	Nut Lock Hex W/Ins. 5/16-18 Unc P	74	532121199	Spacer, Split
18	874780616	Bolt Fin Hex 3/8-16 Unc x 1 Gr.5	75	532121749	Washer 25/32 x 1-1/4 x 16 Gauge
19	873800600	Nut Lock Hex W/Wsh 3/8-16 Unc	76	812000001	E-Ring
21	532130564	Knob Deluxe 1/2-13	77	532123583	Key, Square
22	532145627	Rod, Brake Hydro	78	532121748	Washer 25/32 x 1-5/8 x 16 Gauge
24	873350600	Locknut	81	532161081	Shaft Asm. Cross Hydro
25	532106888	Spring, Brake Rod	82	532123782	Spring Torsion T/A
26	819131316	Washer	83	819171216	Washer 17/32 x 3/4 x 16 Ga.
27	876020412	Pin Cotter 1/8 x 3/4	84	532141423	Rod, Tie SPH Ball 500 Hydro
28	532145204	Rod, Parking Brake	86	532157480	Bushing
29	532071673	Cap, Parking Brake	87	819212016	Washer 21/32 x 1-1/4 x 16 Ga.
30	532130807	Bracket, Transaxle	88	812000008	Ring Klip #5304-62
32	874760512	Bolt Hex Hd 5/16-18 Unc x 3/4	89	532151147	Console, Shift
34	532155071	Shaft, Foot Pedal	93	532142564	Line Fuel Hydro 4"
35	532120183	Bearing, Nylon	94	532140462	Fan, Hydro 7"
36	819211616	Washer	95	532144643	Control Asm. Bypass Hydro
37	532124963	Pin, Roll	96	532124788	Retainer Spring 1" Zinc/Cad
38	532123674	Pulley, Idler, Flat	97	532144201	Keeper Belt Rh Hydro
39	874760644	Bolt	98	873510600	Nut Keps Hex 3/8-16 Unc
40	532124965	Spacer Split	100	819111216	Washer 11/32 x 3/4 x 16 Ga.
41	532154777	Keeper, Belt Idler	103	873940800	Nut Hex Jam Toplock 1/2-20 Unf
42	819131312	Washer 13/32 x 13/16 x 12 Gauge	104	532141421	Arm, Control Hydro
47	532127783	Pulley, Idler, V-Groove	105	871070516	Screw Cap Hex 5/16 x 18 x 1
48	532154407	Bellcrank Clutch Grnd Drv STL	106	874780520	Bolt Fin Hex 5/16-18 Unc x 1-1/4
49	532123205	Retainer, Belt	108	817541026	Screw Hex WH>HD
50	874760624	Bolt	109	532145098	Adapter Fan Hydro
51	873680600	Nut	116	872110610	Bolt RDHD SQ Neck 3/8-16 X 1.25
52	873680500	Nut Crown Lock 5/16-18	144	819111016	Washer 11/32 x 5/8 x 16 Ga.
53	532105710	Link, Clutch	145	874490540	Bolt Hex Flghd 5/16-18 Gr. 5
55	532105709	Spring, Return, Clutch	146	874490524	Bolt Hex Flghd 5/16-18 x 1-1/4
56	874760620	Bolt	147	874490536	Bolt Hex Flghd 5/16-18 x 2-1/4
57	532161850	V-Belt, Ground Drive	148	532159103	Spacer
59	532140312	Keeper, Center Span	149	532122052	Spacer Retainer PM Mower
61	817490612	Screw Thdrol. 3/8-16 x 3/4 Ty. TT	150	532150935	Bushing Nylon Collered
62	532124872	Cover, Pedal	151	819133210	Washer 13/32 x 2 x 10 Ga.
63	532161399	Pulley, Engine			
64	871170764	Bolt Hex 7/16-20 X 4 Gr. 5			
65	810040700	Washer			
66	532161488	Keeper Belt Engine			

NOTE: All component dimensions given in U.S. inches
1 inch = 25.4 mm.

REPAIR PARTS

www.ersatzteil-service.de

TRACTOR - MODEL NO. LTH155 (JLTH15542C), PRODUCT NO. 954 20 00-04 STEERING ASSEMBLY



REPAIR PARTS

www.ersatzteil-service.de

TRACTOR - MODEL NO. LTH155 (JLTH15542C), PRODUCT NO. 954 20 00-04 STEERING ASSEMBLY

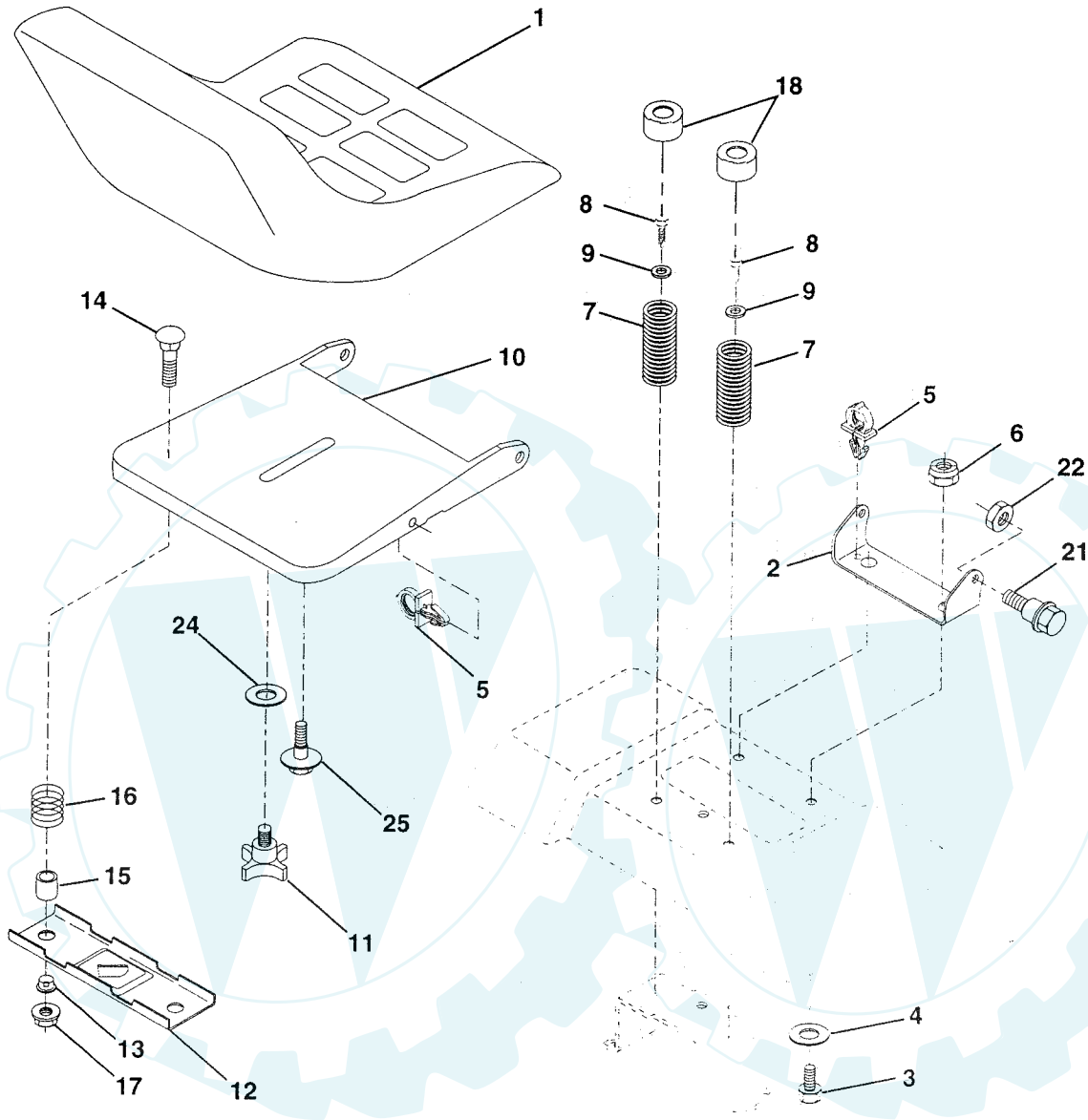
KEY NO.	PART NO.	DESCRIPTION
1	532140044	Wheel Steering
2	532154427	Axle Asm
3	532156483	Spindle Asm LH
4	532157473	Spindle Asm RH
5	532124931	Bearing Race Thrust Harden
6	532121748	Washer 25/32 X 1-5/8 X 16 Ga
7	819272016	Washer 27/32 X 1-1/4 X 16 Ga
8	812000029	Ring Klip #t5304-75
9	532124937	Bearing Col Strg Blk
10	532156438	Link Drag
11	810040600	Washer Lock Hvy Hlcl Spr 3/8
13	532154779	Bearing
15	873901000	Nut Lock Flange 5/8-11 Unc
17	532156546	Shaft Asm Strg Private Label
18	532057079	Washer Thrust 515x 750x 033
19	532124035	Support Shaft
20	532126684	Washer Shim 1/4 X 5/8 X 062
22	871200410	Screw Hex Sckt 1/4-20 x 5/8
23	532127501	Shaft Asm Pittman
25	532154406	Bracket Steering
26	532126847	Bushing Link Drag Blk LR
27	532136874	Gear Sector 22 Teeth
28	819131416	Washer 13/32 X 7/8 X 16 Ga
29	817490612	Screw Thdrol 3/8-16x3/4 Ty-tt
30	876020412	Pin Cotter 1/8 X 3/4 Cad
32	532130465	Rod Tie Wire Form 19 75 Mech
36	532155099	Bushing Strg
37	532152927	Screw TT #32.5 x 5 x 3/8 Flange
38	532140045	Cap Wheel Steer
39	819133808	Washer 13/32 x 2-3/8 x 8 Ga.
40	532124701	Nut Lock Center 3/8-24 Unf
41	532100711	Adaptor Wheel Strg
42	532145054	Boot Shaft Steering
43	532121749	Washer 25/32 X 1 1/4 X 16 Ga
44	532153720	Shaft Extension Steering
46	532121232	Cap Spindle Fr Top Blk
47	532124836	Fitting Grease
51	873800500	Nut Lock Hex W/Ins 5/16-18 UNC
54	874780520	Bolt Fin Hex 5/16-18 UNC x 1-1/4
62	532156594	Steering Assembly
63	874780616	Bolt Fin Hex 3/8-16 UNC x 1 Gr. 5
65	532154780	Spacer Axle
66	532154404	Bearing Arm Pittman
67	874781044	Bolt Fin Hex 5/8-11 UNC X 2-3/4
68	532154429	Brace Axle

NOTE: All component dimensions given in U.S. inches
1 inch = 25.4 mm.

REPAIR PARTS

www.ersatzteil-service.de

TRACTOR - MODEL NO. LTH155 (JLTH15542C), PRODUCT NO. 954 20 00-04
SEAT ASSEMBLY



KEY NO.	PART NO.	DESCRIPTION
1	532127440	Seat V560 Blk/blk Std
2	532140551	Bracket Pivot Seat 8 720
3	874760616	Bolt Hex 3/8-16unc x 1
4	819131610	Washer 13/32 X 1 X 10 Ga
5	532145006	Clip Push-In Hinged
6	873800600	Nut Lock Hex w/Ins. 3/8-16 Unc
7	532124181	Spring Seat Cprsn 2 250 Blk Zi
8	817490616	Screw Thdrol 3/8-16 X 1 Ty-tt
9	819131614	Washer 13/32 X 1 X 14 Ga
10	532155925	Pan Seat
11	532120068	Knob Seat 1/2-13 UNC
12	532121246	Bracket Mounting Switch

KEY NO.	PART NO.	DESCRIPTION
13	532121248	Bushing Snap Blk Nyl 50 Id
14	872050412	Bolt Rdhd Sht Nk 1/4-20x1-1/2
15	532121249	Spacer Split 28x 88 Zinc
16	532123740	Spring Cprsn 1 310 Blk Pnt
17	532123976	Nut Lock 1/4 Lge Flg Gr 5 Zinc
18	532124238	Cap Spring Seat
21	532153236	Bolt Shoulder 5/16-18 Unc-2A
22	873680500	Nut Crown Lock 5/16-18
24	819171912	Washer 17/32 X 1-3/16 X 12 Ga
25	532127018	Bolt Shoulder 5/16-18 X 62

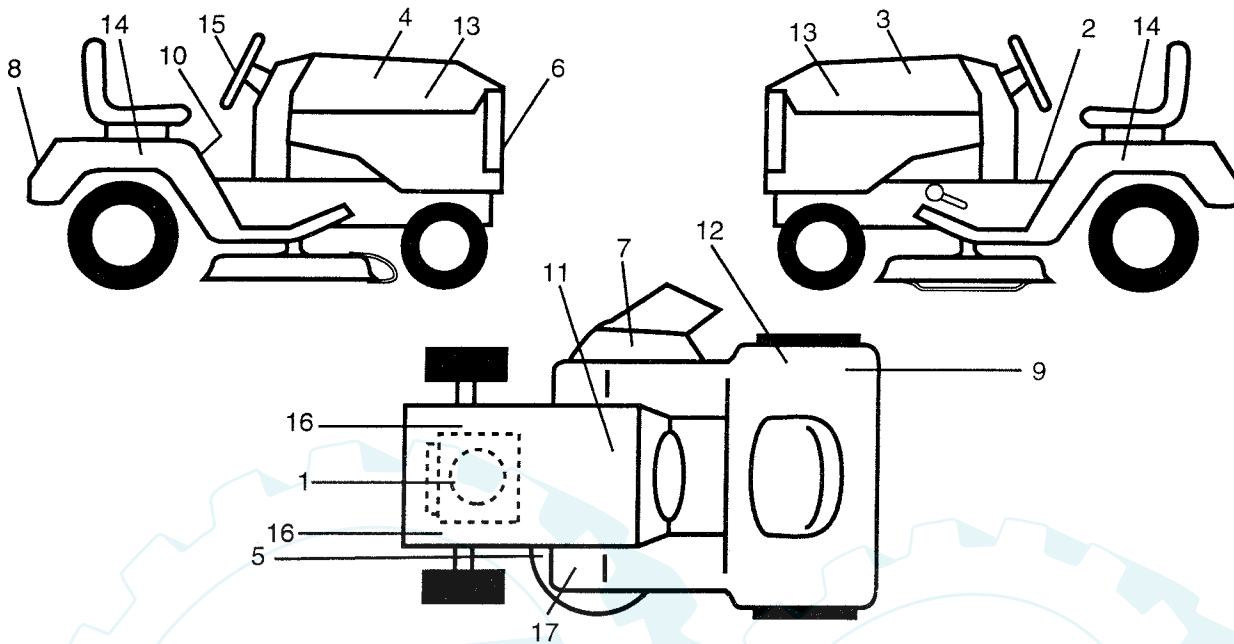
NOTE: All component dimensions given in U.S. inches
1 inch = 25.4 mm.

REPAIR PARTS

www.ersatzteil-service.de

TRACTOR - MODEL NO. LTH155 (JLTH15542C), PRODUCT NO. 954 20 00-04

DECALS



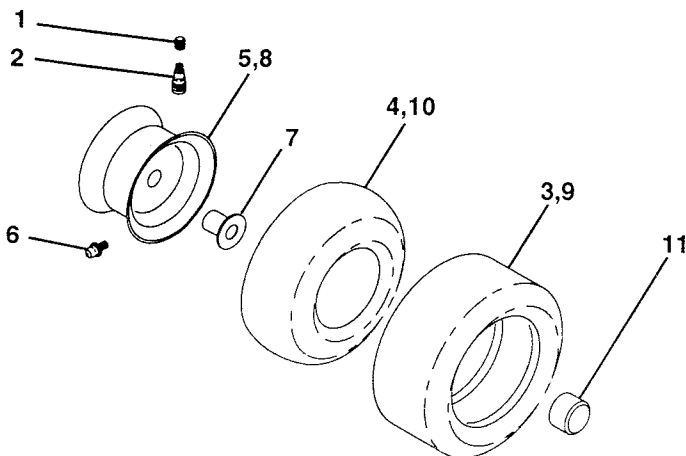
KEY NO.	PART NO.	DESCRIPTION
1	532273216	Decal, Engine
2	532140837	Decal, Brake Parking Sandle
3	532158036	Decal, Hood, L. H.
4	532158035	Decal, Hood, R.H.
5	532160396	Decal, V-Belt Sch.
6	532152262	Decal, Grille Jonsered LT
7	532145494	Decal, Mower Cutfinger Symbol
8	532141761	Decal, Logo, Fender
9	532126187	Decal, 100 DBA
10	532145498	Decal, Read Owners Manual
11	532145005	Decal, Bat Dan/Poi P/L Sym
12	532145437	Decal, Europe Stand. CE Syms
13	532162927	Decal, Hood insert B&S White
14	532150652	Decal, Fender Automatic Jonsered
15	532152252	Decal, Logo Steering Wheel Cap

KEY NO.	PART NO.	DESCRIPTION
16	532159736	Decal, Chassis Hot Muffler
17	532159737	Decal, Brake/Clutch Symbol LT
--	532162598	Decal, Drawbar Load Limit
--	532142341	Decal, Drawbar CNTRL MVT HYD LT
--	532138311	Decal, Handle Lift Height Adjust. (Lift Handle)
--	532157199	Pad, Footrest SQ Generic
--	532145247	Fastener Pop-In Footrest (8 per)
--	532164074	Manual, Operator's (Euro)
--	532164075	Manual, Operator's (Scan)
--	532164076	Manual, Parts

Available accessories not included with tractor:

- CE42 42" Bagger
- MK420 Kit Mulcher W/Blades

WHEELS & TIRES



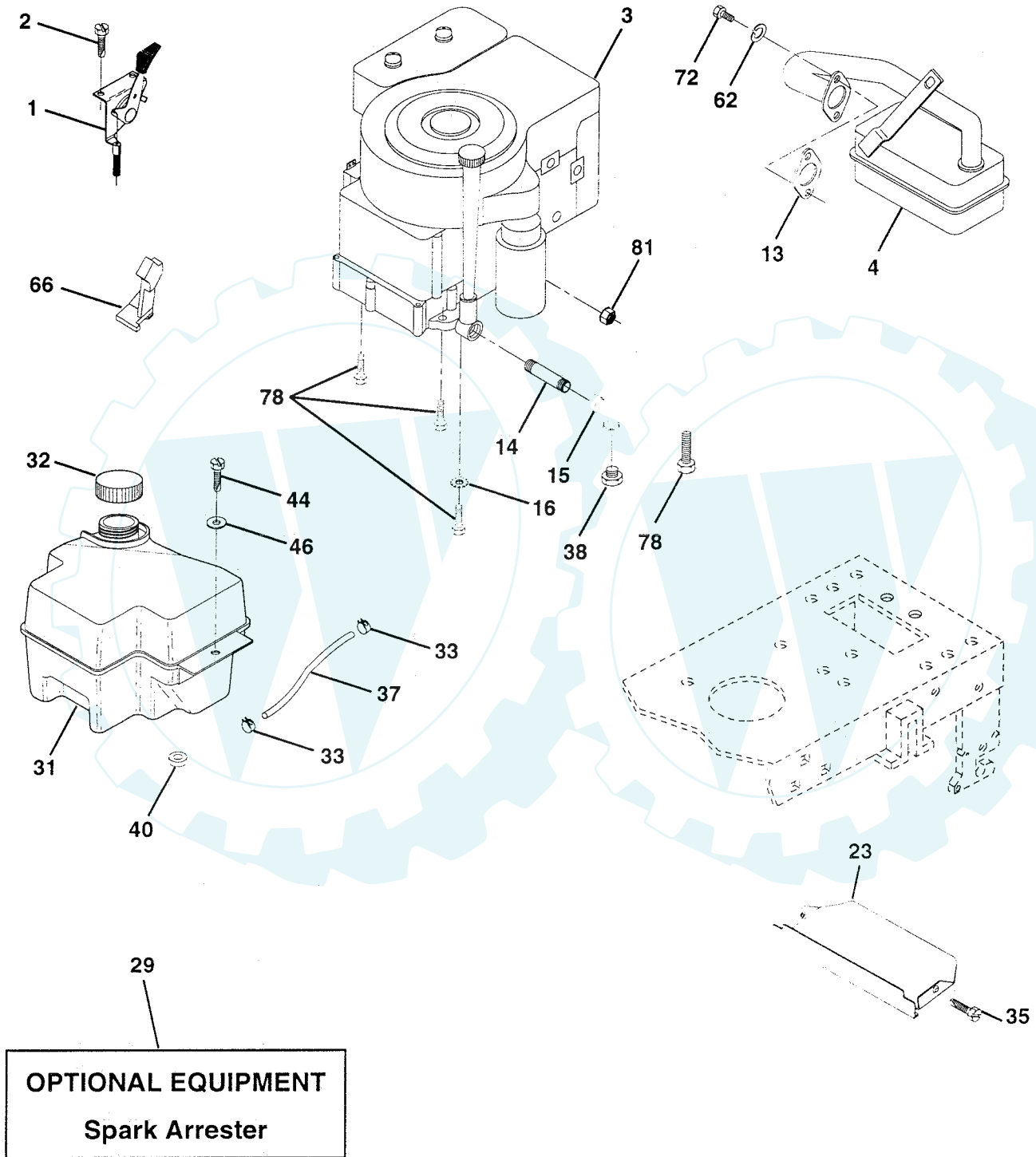
KEY NO.	PART NO.	DESCRIPTION
1	532059192	Cap Valve Tire
2	532065139	Stem Valve
3	532106222	Tire F Ts 15 X 6 0 - 6 Service
4	532059904	Tube Front (Service Item Only)
5	532138336	Rim Asm 6"front Silver Service
6	532124957	Fitting Grease (Front Wheel Only)
7	532124959	Bearing Flange (Front Wheel Only)
8	532138337	Rim Asm 8"rear Silver Service
9	532106268	Tire R Ts 18x9 5-8 C Service
10	532124926	Tube Rear (Service Item Only)
11	532104757	Cap Axle Blk 1 50 X 1 00
--	532144334	Sealant, Tire (10 oz. tube)

NOTE: All component dimensions given in U.S. inches
1 inch = 25.4 mm

REPAIR PARTS

www.ersatzteil-service.de

TRACTOR - MODEL NO. LTH155 (JLTH15542C), PRODUCT NO. 954 20 00-04
ENGINE



TRACTOR - MODEL NO. LTH155 (JLTH15542C), PRODUCT NO. 954 20 00-04 ENGINE

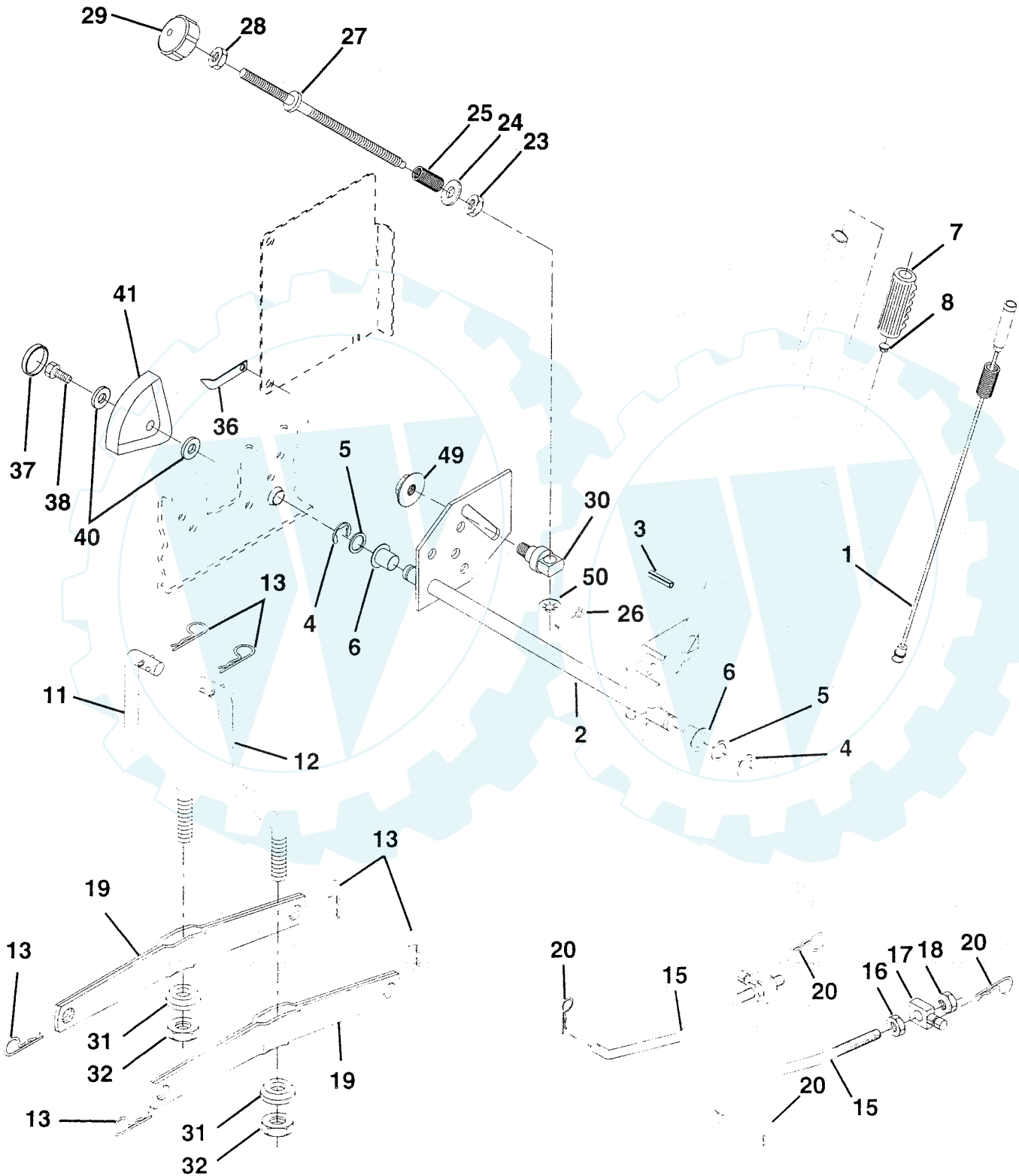
KEY NO.	PART NO.	DESCRIPTION
1	532141359	Control Th/ch LH Blk
2	817720410	Screw Hex Thd Cut 1/4-20x5/8 T
3	-----	Engine B&S 14.5 HP, Model No. 28N707
4	532137352	Muffler LT B&S 14HP lc/ohv
13	532272293	Gasket Eng 1 313 Id Tin Plated
14	813280324	Nipple Pipe 3/8 Npt X 3"
15	813200300	Elbow Std 90 Degree 3/8-18 Npt
16	811050600	Washer Lock Ext Tooth 3/8
23	532159880	Shield Browning/Debris Guard
29	532137180	Kit Spark Arrestor
31	532161911	Tank Fuel Front 2 00
32	532140527	Cap Asm Fuel Top Vented N/Lang
33	532123487	Clamp Hose Black
35	817490512	Screw Thdrol 5/16-18 x 3/4
37	532137040	Line Fuel 20" Front Fuel Tank
38	-----	Plug Oil Drain (Order From Engine Manufacturer)
40	532124028	Bushing Snap Nyl. Blk Fuel Line
44	817490412	Screw Hex Wash Thdrol 1/4-20 x 3/4
46	819091416	Washer 9/32 x 7/8 x 16 Ga.
62	810040500	Washer Lock Hvy Hlcl Spr 5/16
66	532127951	Stop Throttle
72	871070512	Screw Hexhd Cap 5/16-18x3/4
78	817490620	Screw Thdrol 3/8-16x1-1/4 TYTT
81	532128861	Nut Flange 1/4-20 Starter Nut

NOTE: All component dimensions given in U.S. inches
1 inch = 25.4 mm

REPAIR PARTS

www.ersatzteil-service.de

TRACTOR - MODEL NO. LTH155 (JLTH15542C), PRODUCT NO. 954 20 00-04
MOWER LIFT



REPAIR PARTS

www.ersatzteil-service.de

TRACTOR - MODEL NO. LTH155 (JLTH15542C), PRODUCT NO. 954 20 00-04
MOWER LIFT

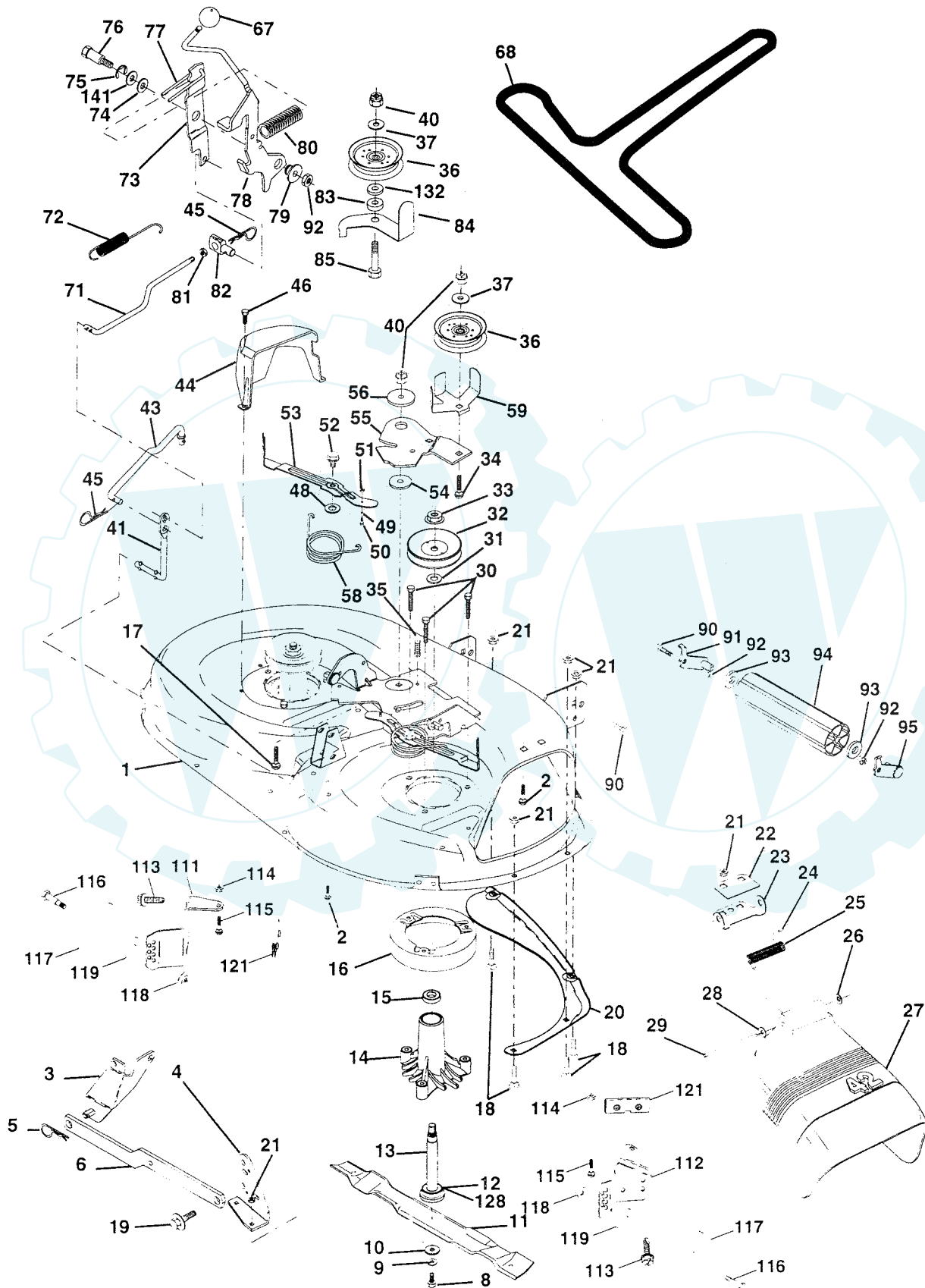
KEY NO.	PART NO.	DESCRIPTION
1	532159460	Wire Asm Inner/Sprg W/plunger
2	532159471	Shaft Asm Lift
3	532105767	Pin Groove
4	812000002	E Ring #5133-62
5	819211621	Washer 21/32 X 1 X 21 Ga.
6	532120183	Bearing Nylon Blk 629 Id
7	532109413	Grip Handle Bicycle Matte Blk
8	532124526	Button Plunger Black
11	532139865	Link Lift LH Mower
12	532139866	Link Lift RH Mower
13	532124670	Retainer Spring
15	532127218	Link Front
16	873350800	Nut Jam Hex 1/2-13 Unc
17	532130171	Trunnion Blk Zinc
18	873680800	Nut Crownlock 1/2-13 UNC
19	532139868	Arm Suspension Rear
20	532163552	Retainer Spring
23	532110807	Nut Special
24	819131016	Washer 13/32 x 5/8 x 16 Ga.
25	532124874	Spring 2-1/8"
26	876020308	Pin Cotter 3/32 x 1/2
27	532126971	Rod Adj Lift
28	873350600	Nut Hex Jam 3/8-16 UNC
29	532138057	Knob Inf 3/8-16 UNC
30	532150233	Trunnion Inf. Height
31	873540600	Nut Crownlock 3/8-24
32	532140302	Bearing Put Lift Spherical
36	532155097	Pointer Pnt Height Ind
37	532123935	Plug Hole
38	817490512	Screw Thdrol 5/16-18 x 3/4
40	819112410	Washer 11/32 x 1-1/2 x 10 Ga.
41	532123934	Scale Ind Height Blk
49	532145212	Nut, Hex Flange Lock
50	532110452	Nut Push Phos & Oil

NOTE: All component dimensions given in U.S. inches
1 inch = 25.4 mm

REPAIR PARTS

www.ersatzteil-service.de

TRACTOR - MODEL NO. LTH155 (JLTH15542C), PRODUCT NO. 954 20 00-04
MOWER DECK



TRACTOR - MODEL NO. LTH155 (JLTH15542C), PRODUCT NO. 954 20 00-04

MOWER DECK

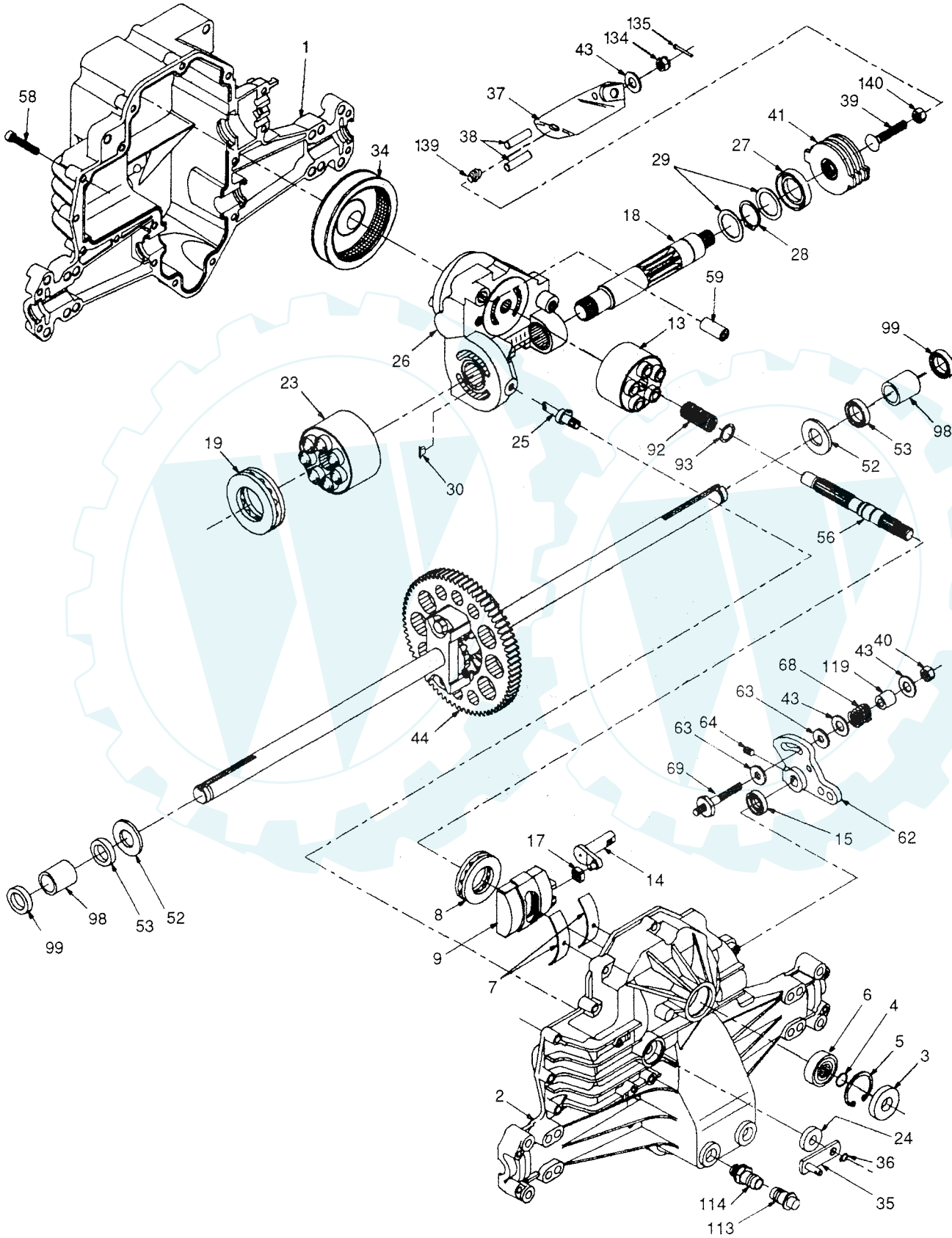
KEY NO.	PART NO.	DESCRIPTION	KEY NO.	PART NO.	DESCRIPTION
1	532144393	Housing Asm Mower 42"94 T-Path	55	532155046	Arm Idler 42"mower LT/YT
2	872140506	Bolt Rdhd Sqnc 5/16-18unc X3/4	56	532122052	Spacer Retainer Pm Mower
3	532138017	Bracket Asm Fr Sway Bar 38/42	58	532140086	Spring Torsion Brakes
4	532138440	Bracket Asm Deck 42"sway Bar	59	532141043	Guard, Belt
5	532124670	Retainer Spring	67	532106932	Knob Rd 3/8-16 Plstc Thds Blk
6	532130832	Arm Suspension Rear	68	532144200	V-Belt Mower
8	532850857	Bolt 3/8-24x1 25 Gr8 Patched	71	532142427	Rod Clutch Primary 38/42
9	810030600	Washer Lock Hvy 3/8 Unplated	72	532131870	Spring Return
10	532140296	Washer Hard Blade Mower Vented	73	532127847	Arm Clutch Secondary
11	532138498	Blade Mower High Lift"	74	532121748	Washer 25/32 X 1-5/8 X 16 Ga
12	532129895	Bearing Ball #6204 (Mandrel)	75	812000029	Ring Klip #t5304-75
13	532137645	Shaft Asm W/lower Bearing	76	532128903	Bolt shoulder
14	532128774	Housing Mandrel Vented(machd)	77	532127845	Keeper Spring 4 000
15	532110485	Bearing Ball Mandrel	78	532160570	Lever Asm Clutch Primary
16	532140329	Stripper Round Mower	79	532127498	Bushing 747 OD X 794 Lg Brass
17	872110610	Bolt Rdhd Sqnc 3/8-16 X 2-1/4	80	532153701	Spring Clutch Mower
18	872140505	Bolt Carr 5/16-18 X 5/8	81	873350600	Nut Hex Jam 3/8-16
19	532132827	Bolt Shoulder	82	532142028	Trunnion Adj94
20	532159770	Baffle Vortex 42	83	532120958	Washer Sintered
21	873680500	Nut Crown Lock 5/16-18	84	532156084	Keeper Belt Idler
22	532134753	Stiffener Bracket 42"deck	85	872140618	Bolt Rdhd Sq 3/8-16 UNC x 2-1/4
23	532131267	Bracket Deflector Mower 42"	90	874760616	Bolt Fin Hex 3/8-16unc X 1
24	532105304	Cap Sleeve 80x 112 Blk Mower	91	532132274	Bracket Asm Noseroller LH
25	532123713	Spring Torsion Deflector 2 52	92	873800600	Nut Lock Hex w/ins. 3/8-16 UNC
26	532110452	Nut Push Phos & Oil	93	819171416	Washer 17/32 X 7/8 X 16 Ga
27	532130968	Shield Deflector	94	532132264	Roller Nose 38 & 42
28	819111016	Washer 11/32 X 5/8 X 16 Ga	95	532132273	Bracket Asm Noseroller RH
29	532131491	Rod Hinge 42"6 75 Wlg	111	532155197	Bracket Gauge Wheel Lh
30	532157722	Screw Thdrol Wshd	112	532155198	Bracket Gauge Wheel Rh
31	532129963	Washer Spacer Mower Vented	113	817490512	Screw Thdrol 5/16-18 x 3/4
32	532153535	Pulley Mandrel	114	873510500	Nut Keps 5/16-18 UNC
33	532137266	Nut 9/16top Lock Fling Cntr	115	872110504	Bolt Carriage 5/16-18unc x 1/2
34	872110614	Bolt RDHD 3/8-16 UNC x 2-3/4 Gr.5	116	532146851	Bolt Shoulder
35	532133835	Fastner Christmas Tree	117	532146850	Wheel Gauge Medium
36	532131494	Pulley Idler Flat 3 060	118	873930600	Nut Centerlock 3/8-16 UNC
37	819131316	Washer 13/32 X 13/16 X 16 Ga	119	819121414	Washer 3/8 x 7/8 x 14 Ga.
40	873680600	Nut Lock 3/8-16 Unc	121	532143723	Bracket Extruded Gauge Wheel
41	532133551	Rod Pivot W/nibs	128	532153390	Washer Felt
43	532140083	Rod Clutch Secondary W/nibs	132	819132203	Washer 13/32 X 1-3/8 X 3 Ga.
44	532140088	Guard Mandrel LH Black	141	532124931	Washer .75 x 1.230
45	532124788	Spring Retainer 1" Zinc/cad	--	532144783	Deck Serv 42" Elec Vent (Standard Deck - Order Nose Roller, Gauge Wheel and Mulcher Plate components separately Key Nos. 90-95, 101-106 and 111-121)
46	532137729	Screw Thdrol 1/4-20x5/8	--	532130794	Mandrel Assembly (Includes Key Numbers 8-10, 12-15, 31 and 33)
48	532133944	Washer Hardened Samller			
49	532155066	Roller Asm Cam Follower 42" dec			
50	532131340	Bolt Shldr 10-24 Zinc Gr 5 42"			
51	532069180	Nut Lock #10-24 Unc			
52	532139888	Bolt Shoulder 5/16-18 Unc Blkz			
53	532131845	Arm Asm Pad Brake			
54	532133943	Washer Hardened			

NOTE: All component dimensions given in U.S. inches
1 inch = 25.4 mm

REPAIR PARTS

www.ersatzteil-service.de

TRACTOR - MODEL NO. LTH155 (JLTH15542C), PRODUCT NO. 954 20 00-04
HYDRO - GEAR 310-0500



REPAIR PARTS

www.ersatzteil-service.de

**TRACTOR - MODEL NO. LTH155 (JLTH15542C), PRODUCT NO. 954 20 00-04
HYDRO - GEAR 310-0500**

KEY PART NO. NO.

DESCRIPTION

1	532142986	Housing, Lower
2	532142987	Assembly, Upper Housing
3	532142932	Seal, Lip
4	532142928	Ring, Wire Retaining
5	532142933	Ring, Retaining
6	532142934	Bearing, Shaft Ball
7	532142935	Bearing, Cradle
8	532150771	Bearing, Thrust 30 x 52 x 13
9	532142937	Swashplate, Variable
13	532142938	Block, Cylinder Assembly
14	532142939	Arm, Trunnion
15	532142940	Seal, Lip
17	532142941	Guide, Slot
18	532150772	Shaft, Motor
19	532150773	Bearing, Thrust 42 x 68 x 16
23	532142944	Block, Cylinder Assembly
24	532142945	Seal, Lip 10 x 25 x 7
25	532142946	Actuator, Bypass
26	532150774	Center Section Assembly Kit
27	532142948	Seal, Lip 26 x 42 x 8
28	532142949	Ring, Retaining
29	532142950	Washer 26 x 35 x 1
30	532150787	Nut, Jam
34	532142951	Oil Filter Element
35	532142952	Arm, Bypass
36	532142953	Ring, Retaining
37	532142954	Arm, Actuating
38	532142955	Pin, Actuating
39	532150777	Bolt 5/16-24 x 1-3/4

KEY PART NO. NO.

DESCRIPTION

40	532150778	Locknut, Hex 5/16-24 UNJC
41	532142958	Brake Rotor/Stator Kit
43	532142884	Washer 7/16 x 7/8 x .060
44	532142990	Differential Assembly
52	532142991	Washer 3/4 x 1.5 x .13
53	532142961	Seal .75 x 1.25 x .250
56	532142963	Shaft, Input
58	532142964	Bolt 1/4-20 x 1.38
59	532142965	Pin .5 OD x .43 ID x .750
62	532142966	Arm, Control
63	532142967	Puck, Dampener
64	532142920	Set Screw
68	532142969	Spring
69	532144610	Stud 5/16-24
92	532142977	Spring, Block
93	532142978	Washer, Block Thrust
98	532142993	Sleeve Bearing
99	532142976	Seal, Wiper
113	532142917	Cap, Vent Assembly
114	532142918	Fitting, O-Ring Assembly
119	532142980	Spacer
134	532144607	Nut, Castle 5/16-24
135	532144608	Pin, Cotter
139	532150775	Spring, Compression
140	532150776	Nut, Hex 5/16-24

NOTE: All component dimensions given in U.S. inches
1 inch = 25.4 mm